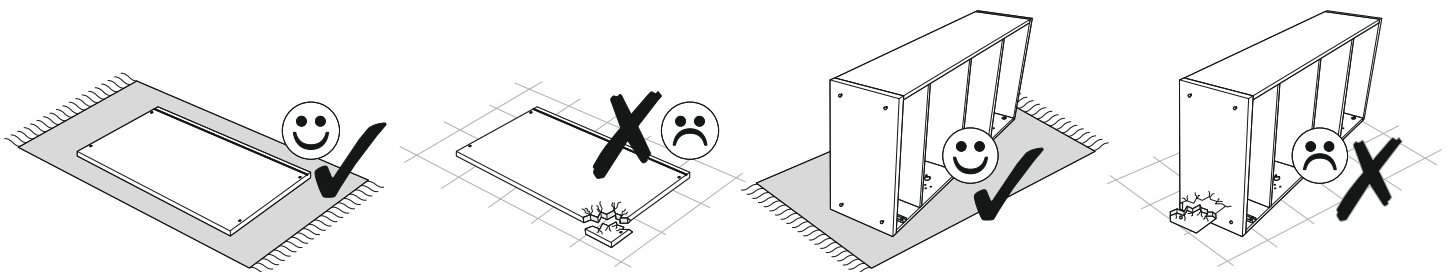
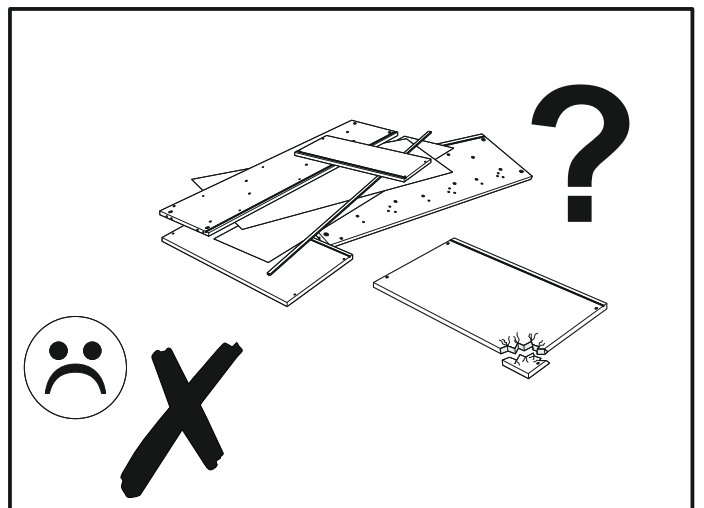
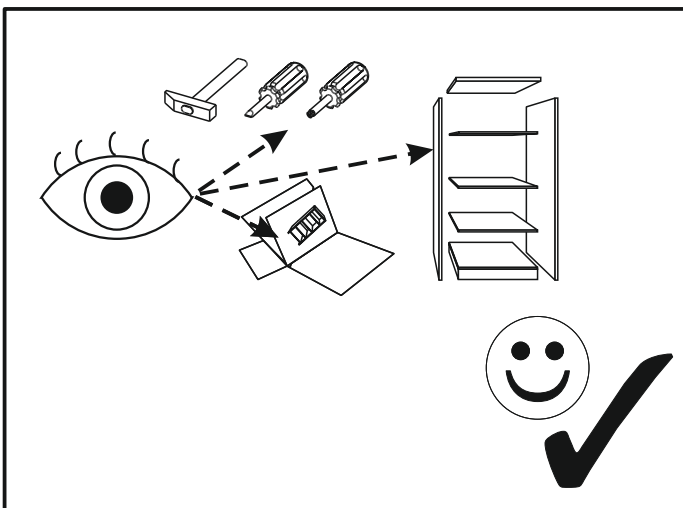
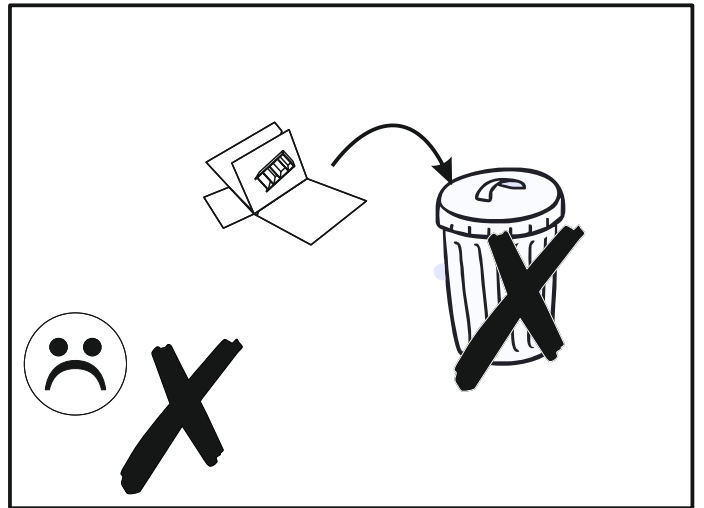
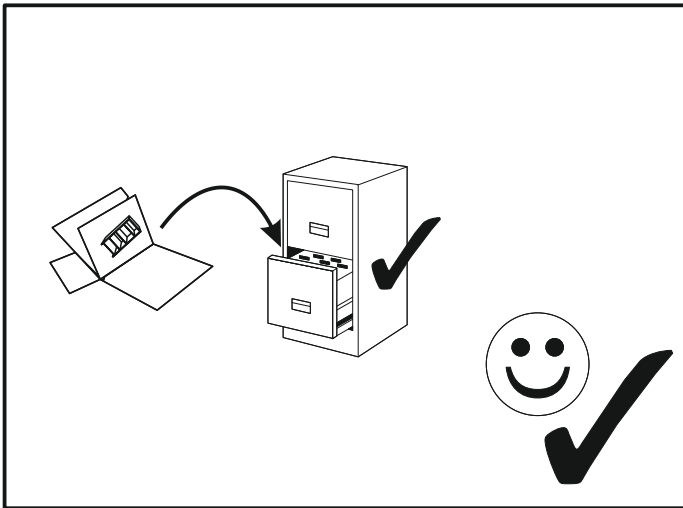
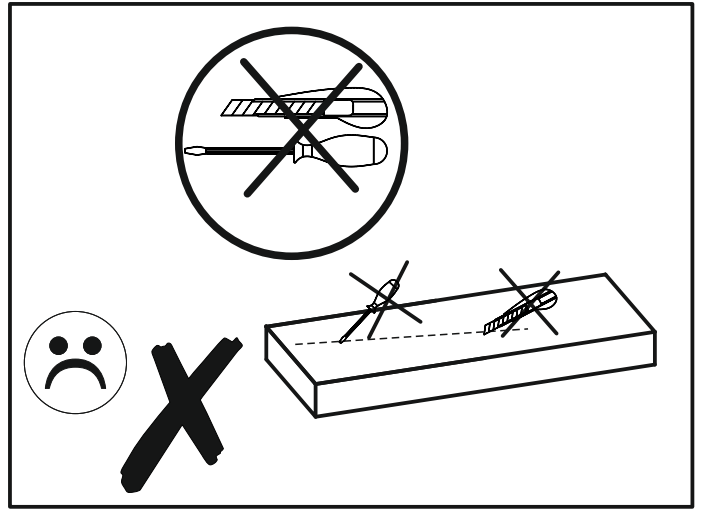
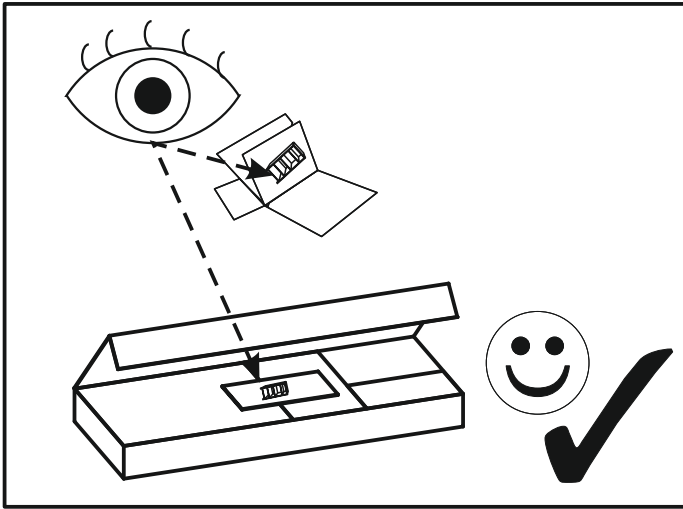
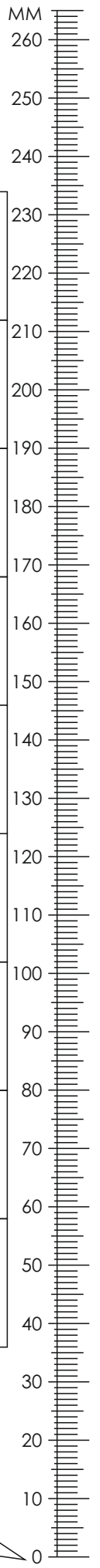


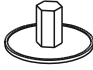
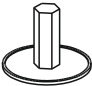



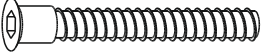





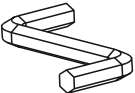

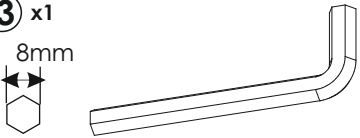

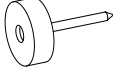

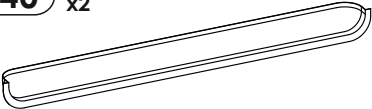
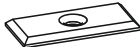



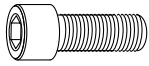




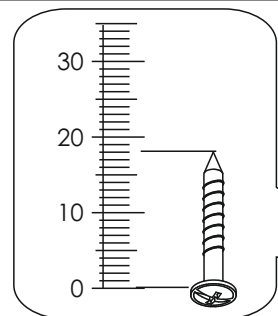
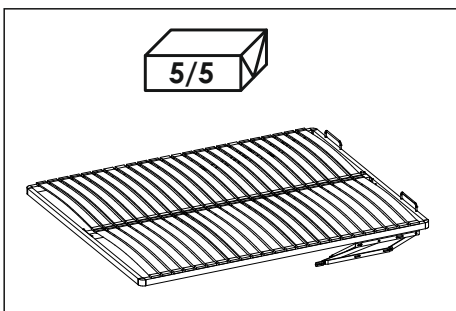
13

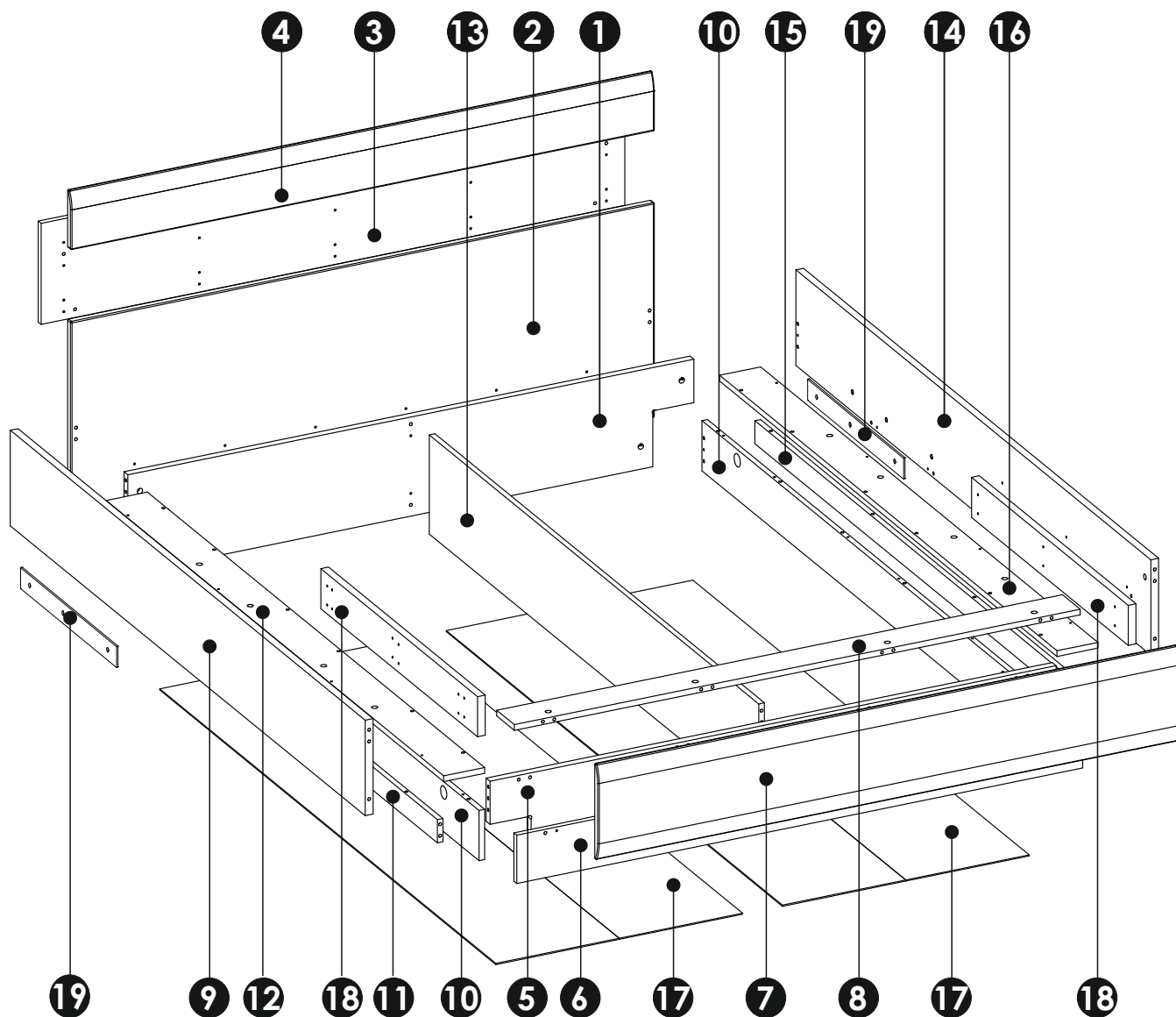
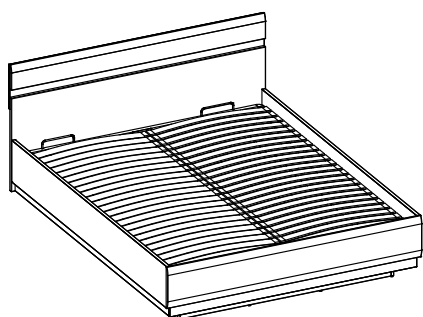






<b>A0</b> x18 $\phi 8 \times 24$ mm 	<b>A1</b> x66 $\phi 8 \times 35$ mm 	<b>E0</b> x18 
<b>E022</b> x10 	<b>E1</b> x28 	<b>F1</b> x28 
<b>G0</b> x20 	<b>G1</b> x20 $\phi 7 \times 50$ mm 	<b>I5</b> x12 4 x 45 mm 
<b>I6</b> x8 3,5 x 40 mm 	<b>I7</b> x6 4 x 35 mm 	<b>I17</b> x10 3 x 13mm 
<b>J6</b> x24 4 x 30 mm 	<b>M</b> x1 	<b>M2</b> x1 
<b>M3</b> x1 	<b>N1</b> x70 3 x 16mm 	<b>O2</b> x17 
<b>P16</b> x12 	<b>P40</b> x2 	<b>R1</b> x13 
<b>R5</b> x2 	<b>R22</b> x6 	<b>S18</b> x6 
<b>S20</b> x6 M8x25 	<b>W16</b> x4 	<b>O2A</b> $\phi 20$ x12 

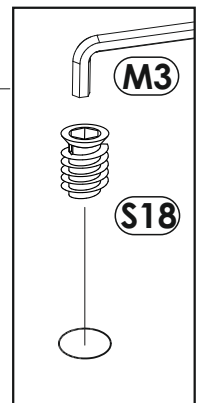
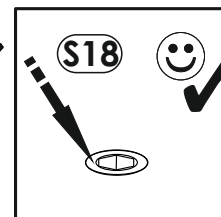
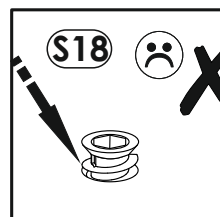
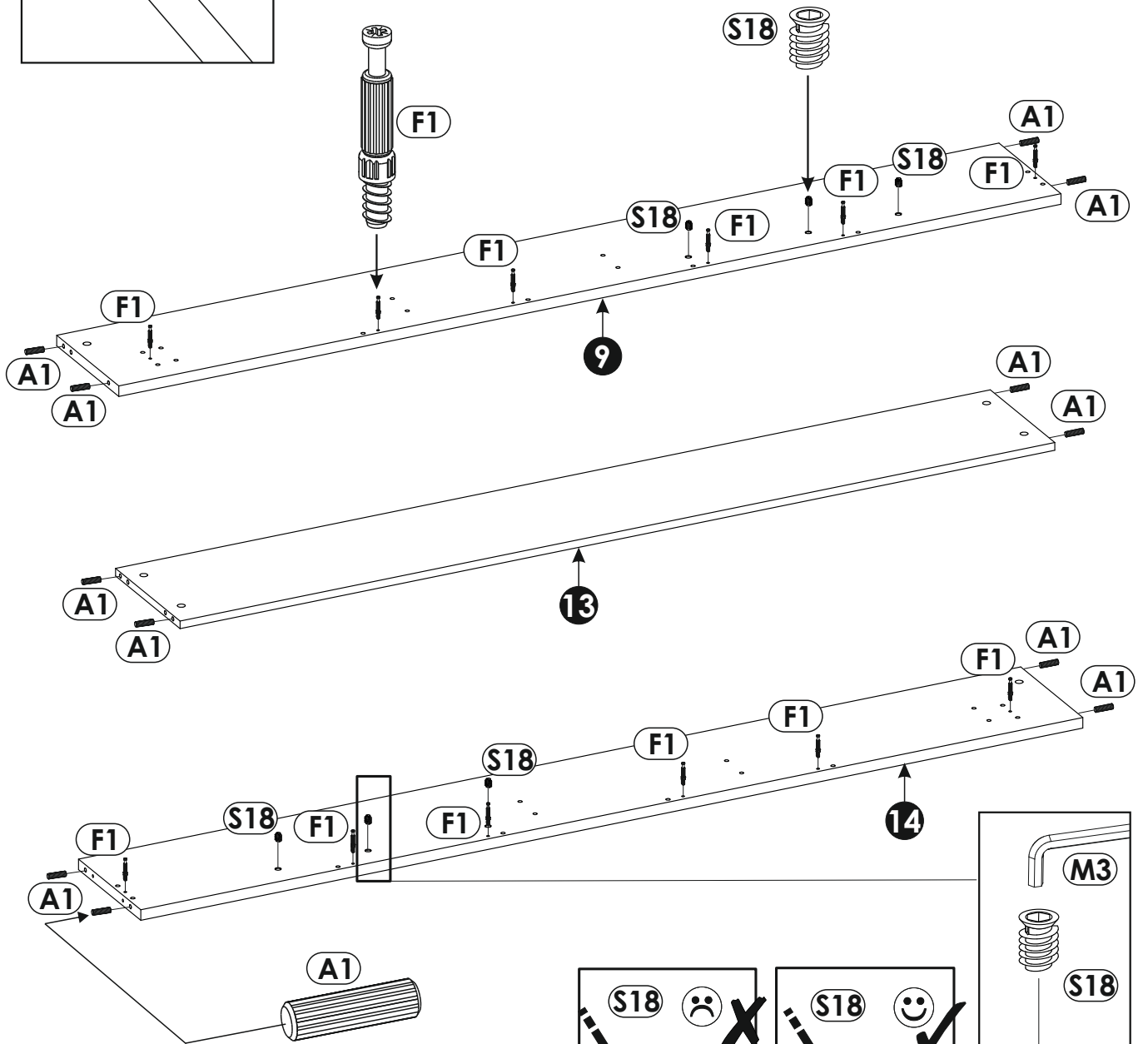
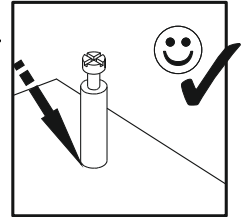
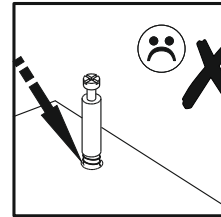
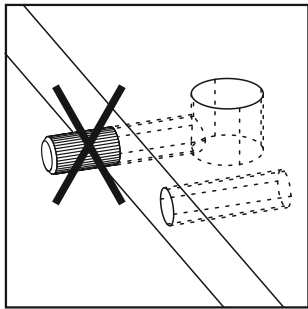
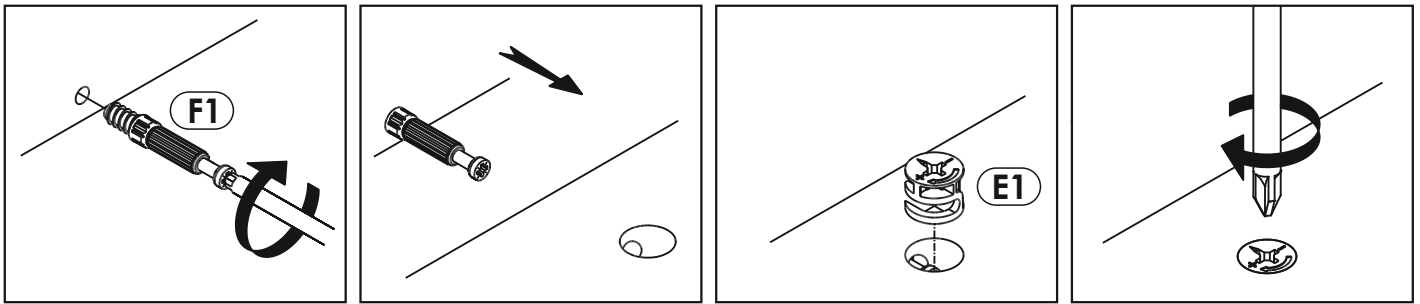




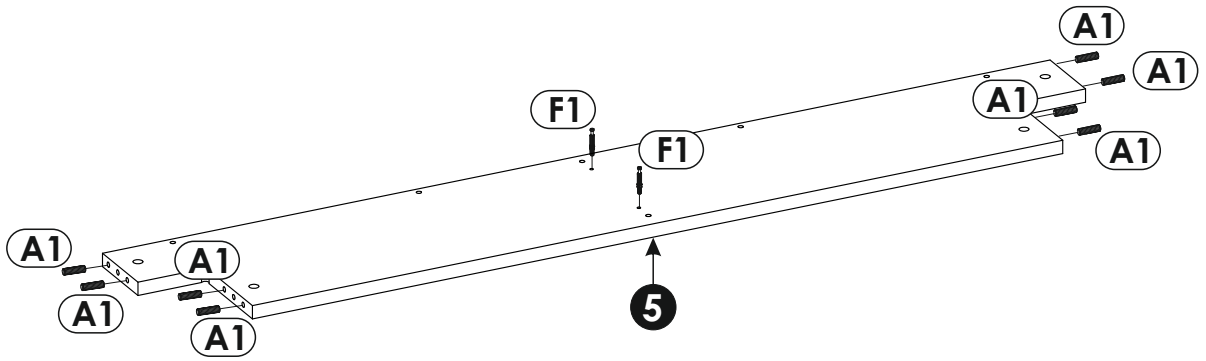
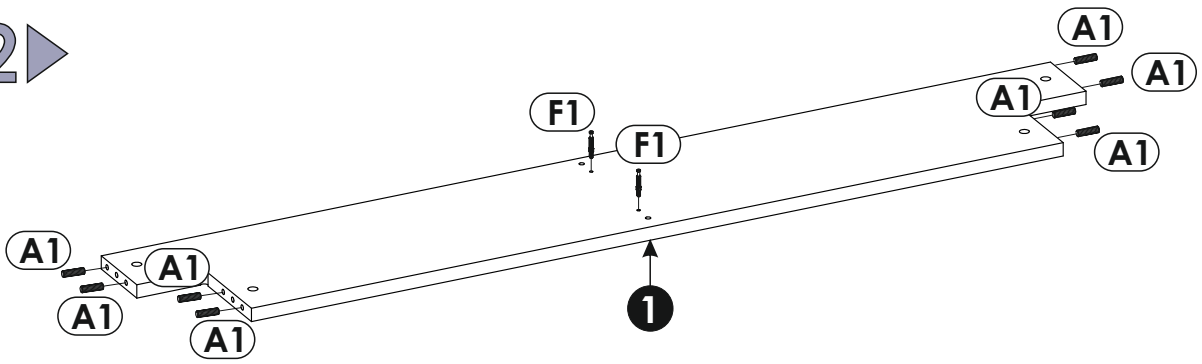
<b>1</b>	1602	275	22	x1	1/5
<b>2</b>	1652	595	19	x1	4/5
<b>3</b>	1652	280	16	x1	1/5
<b>4</b>	1652	160	19	x1	4/5
<b>5</b>	1602	275	22	x1	1/5
<b>6</b>	1602	134	16	x1	1/5

<b>7</b>	1652	265	19	x1	4/5
<b>8</b>	1602	100	16	x1	1/5
<b>9</b>	2010	265	22	x1	3/5
<b>10</b>	1910	139	16	x2	2/5
<b>11</b>	1994	64	16	x1	3/5
<b>12</b>	1910	116	16	x1	2/5

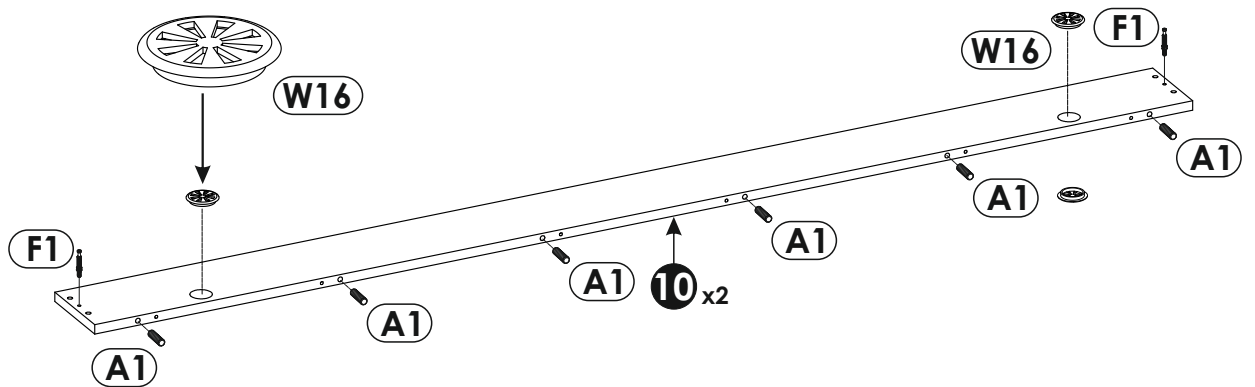
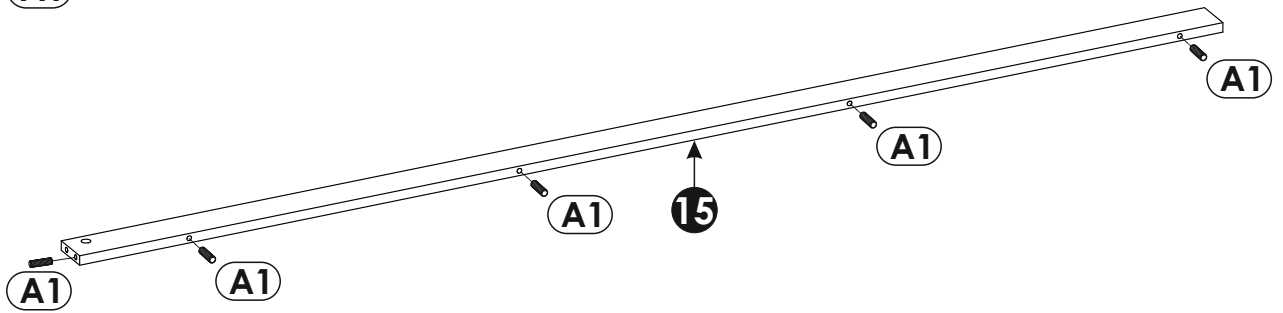
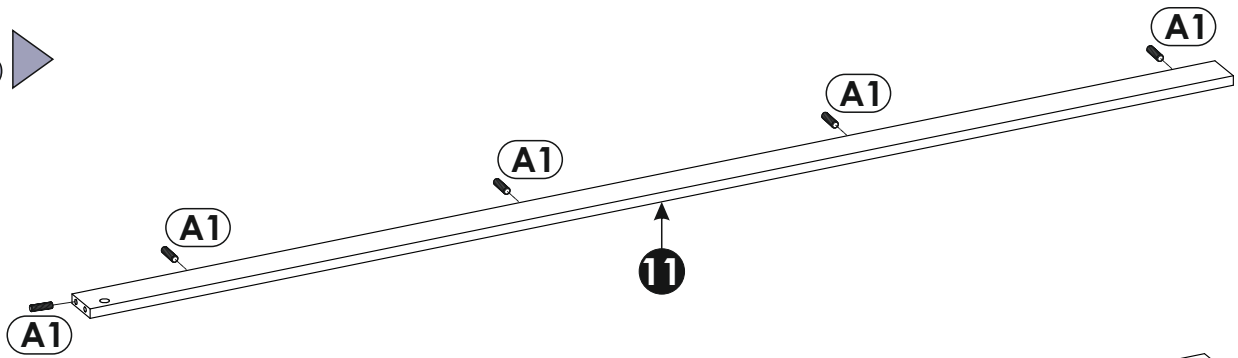
<b>13</b>	1866	275	16	x1	2/5
<b>14</b>	2010	265	22	x1	3/5
<b>15</b>	1994	64	16	x1	3/5
<b>16</b>	1910	116	16	x1	2/5
<b>17</b>	1904	698	3	x2	3/5
<b>18</b>	1000	100	28	x2	3/6
<b>19</b>	550	45	3	x2	3/6



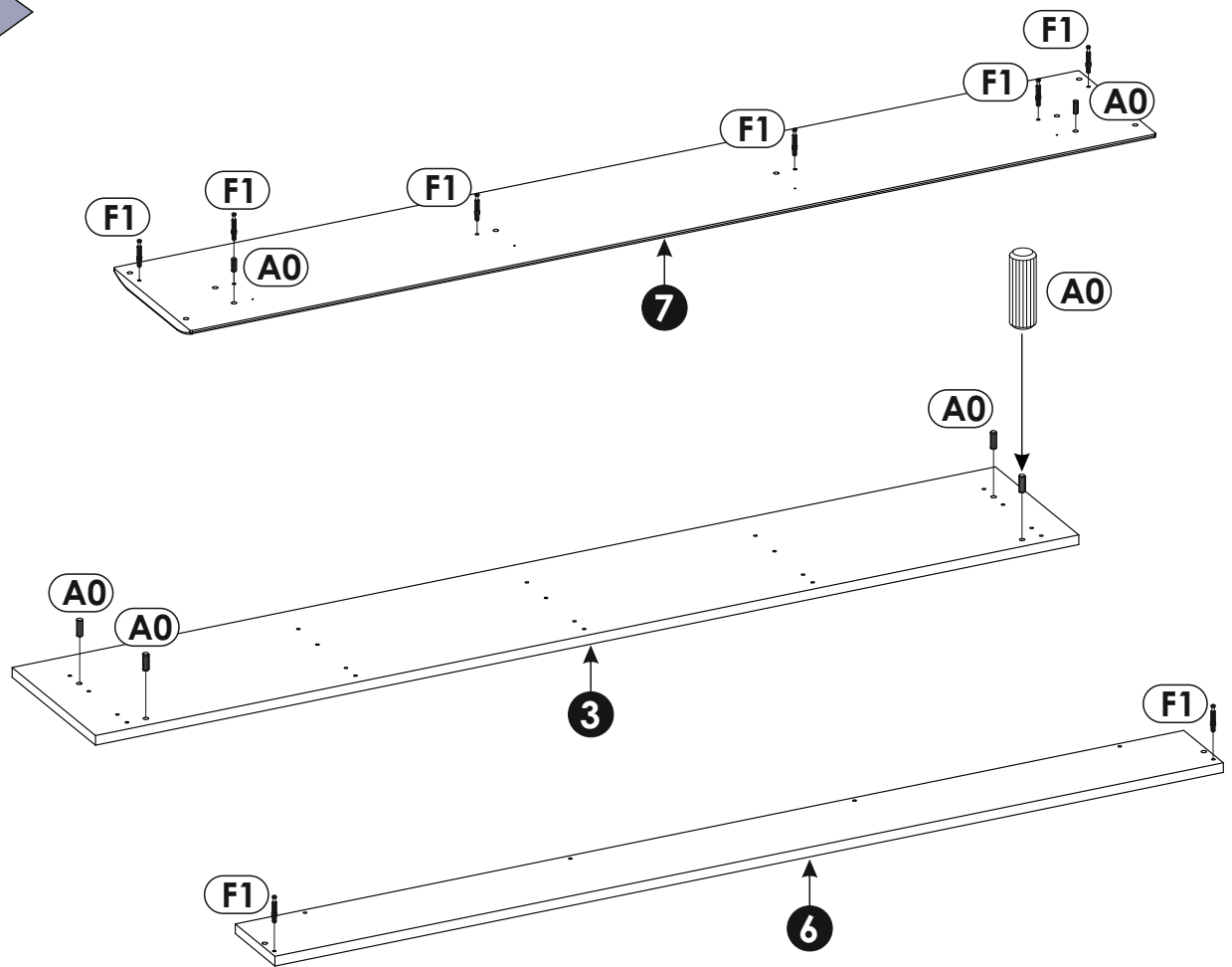
2 ▶



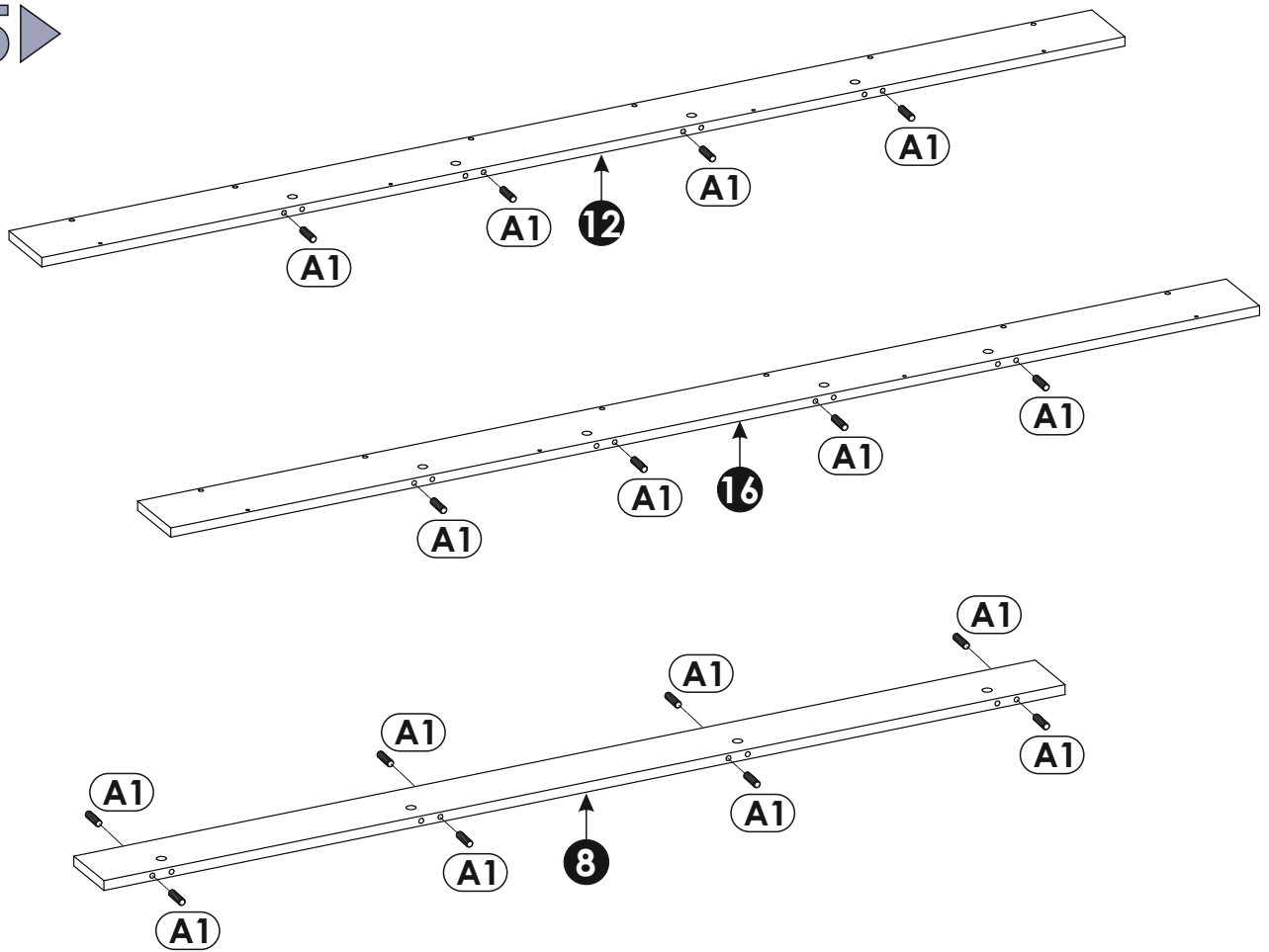
3 ▶



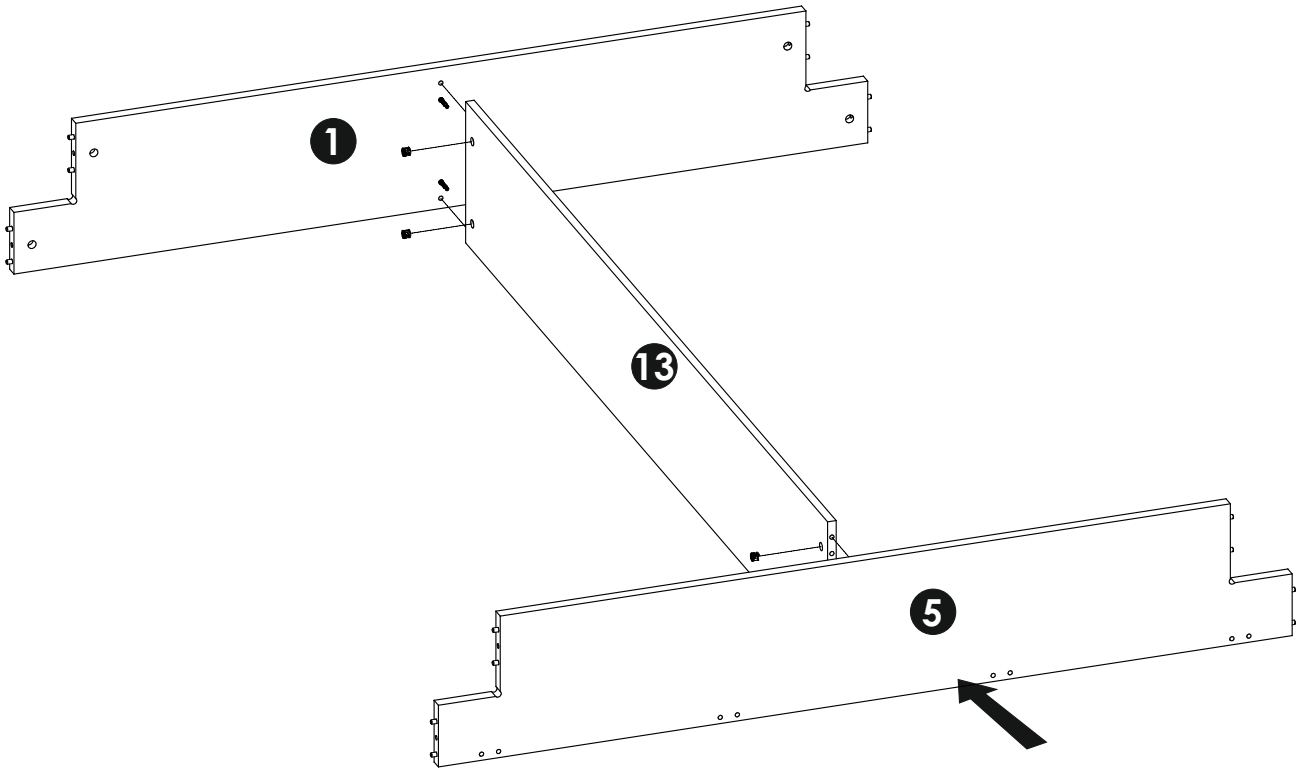
4 ▶



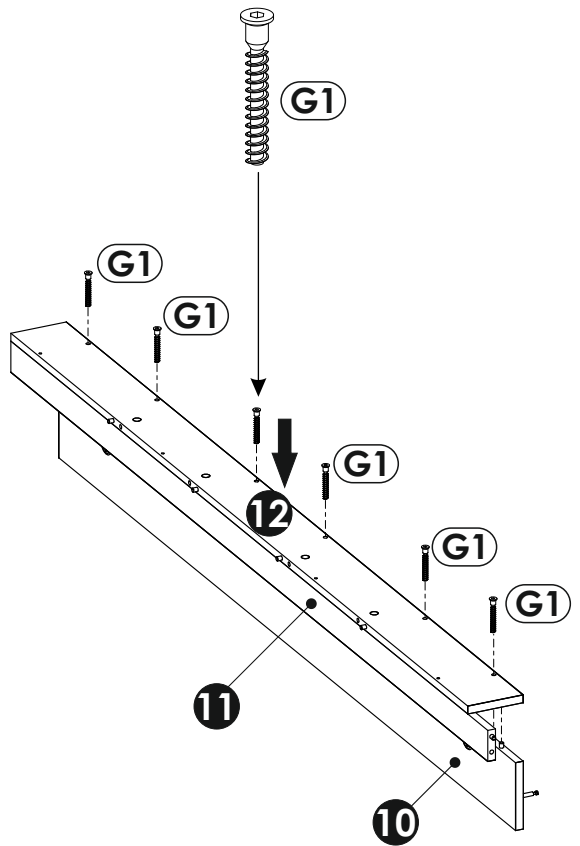
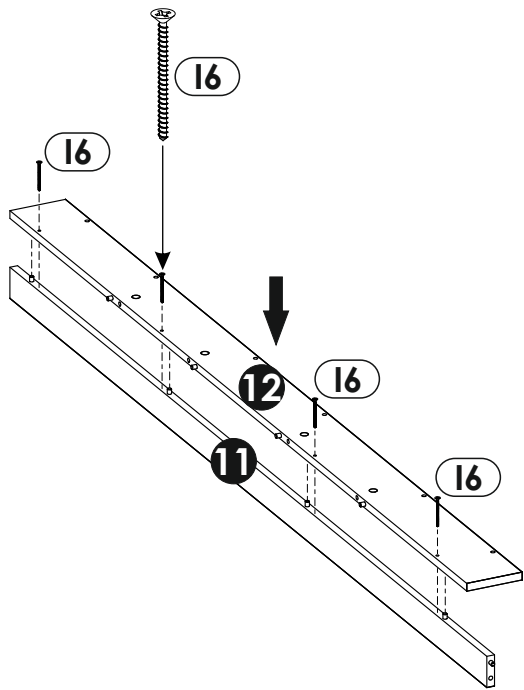
5 ▶



6 ▶

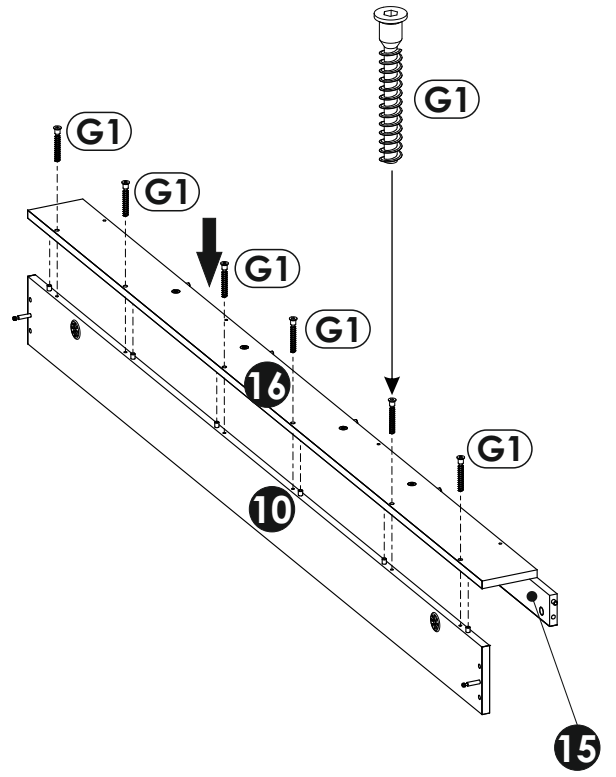
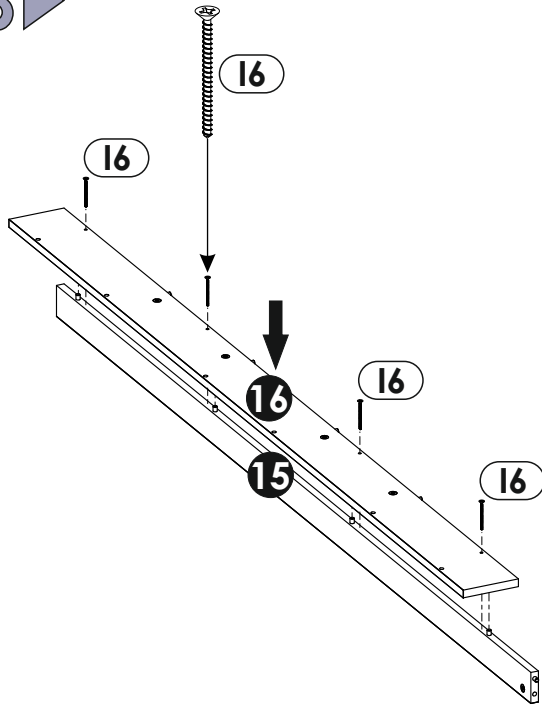


7 ▶

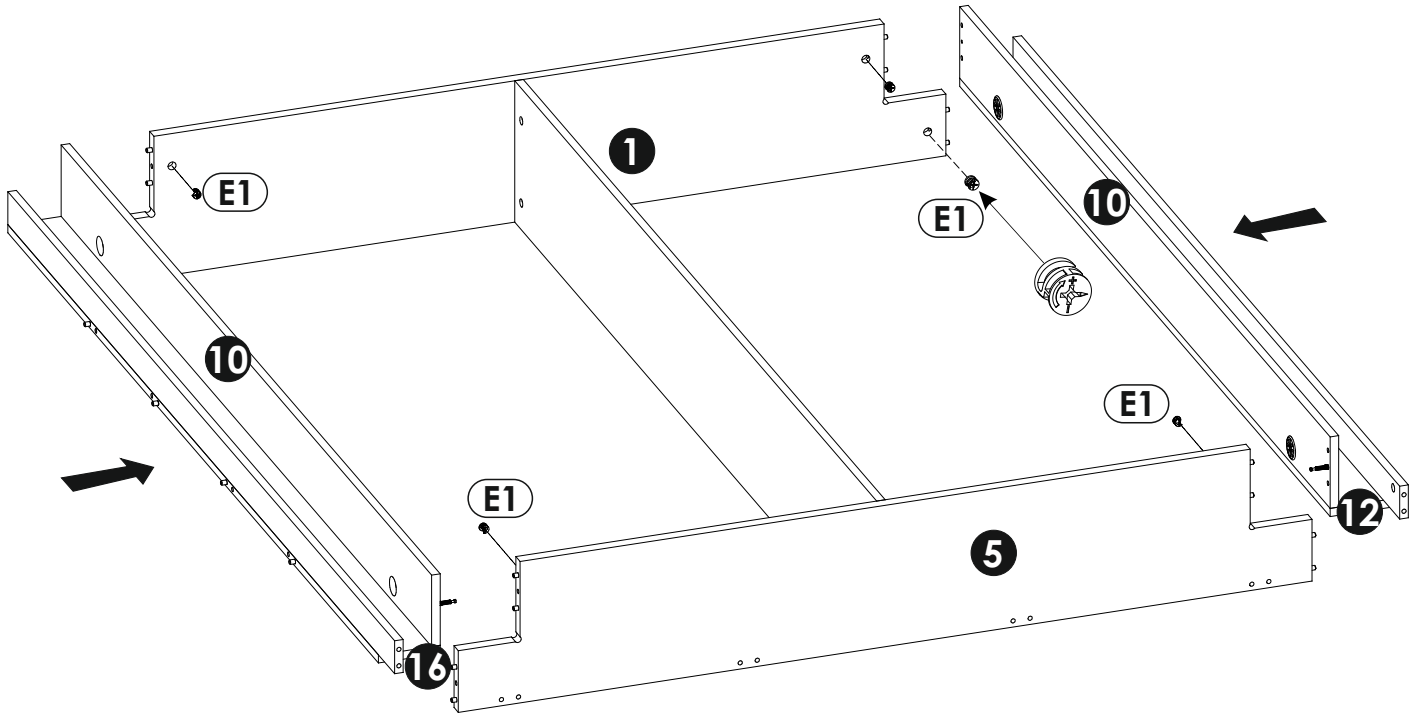




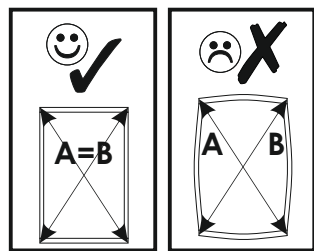
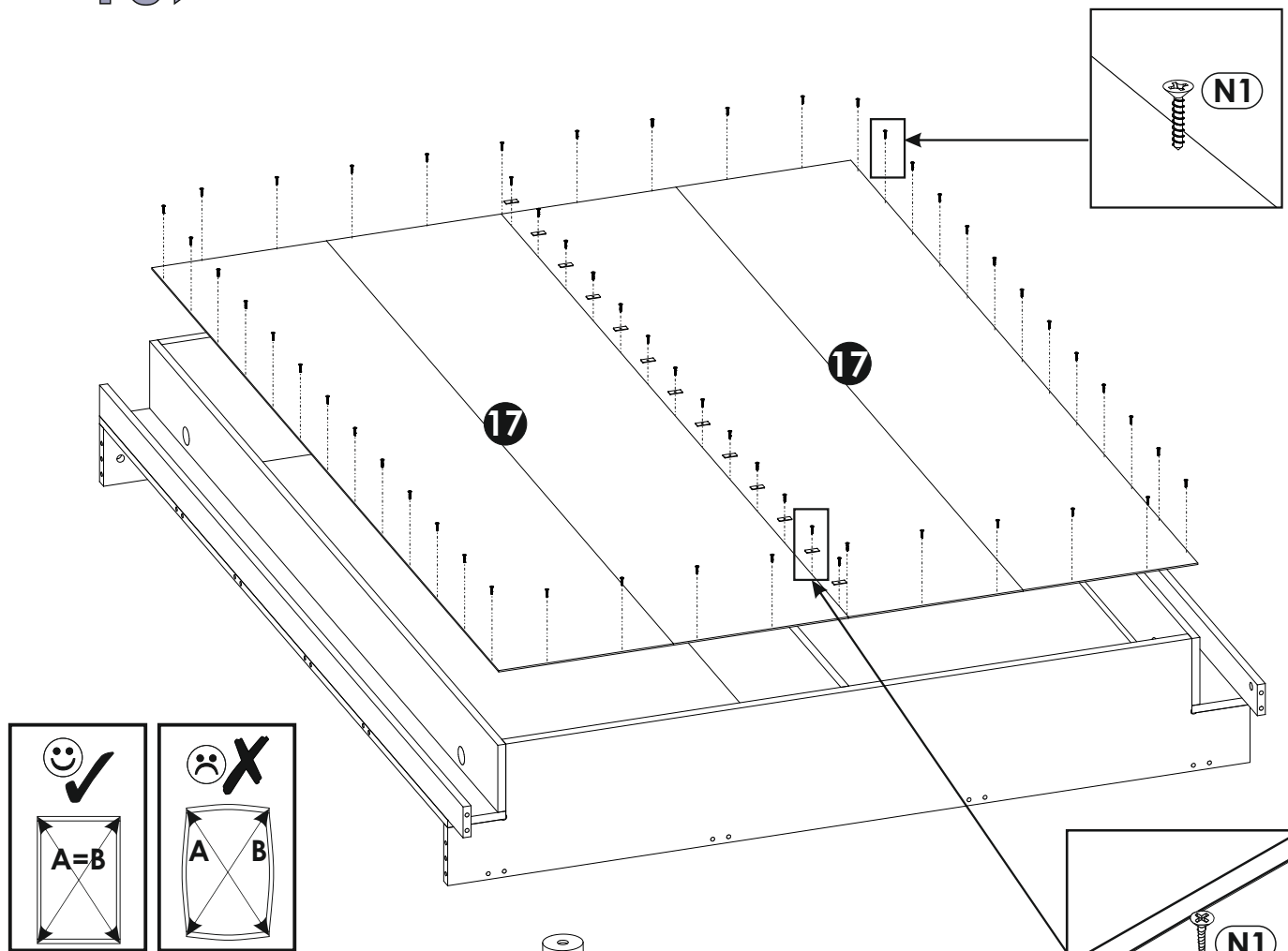
8 ▶



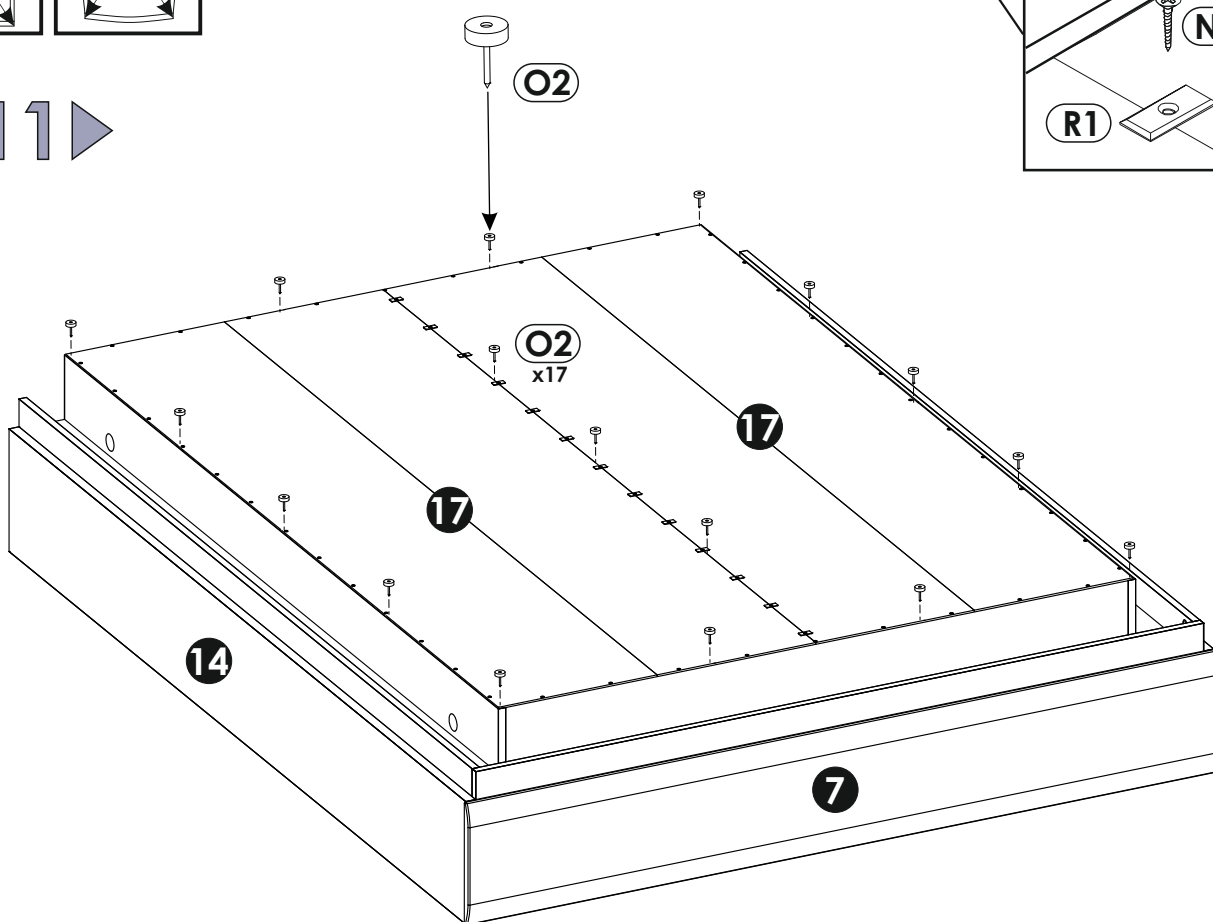
9 ▶



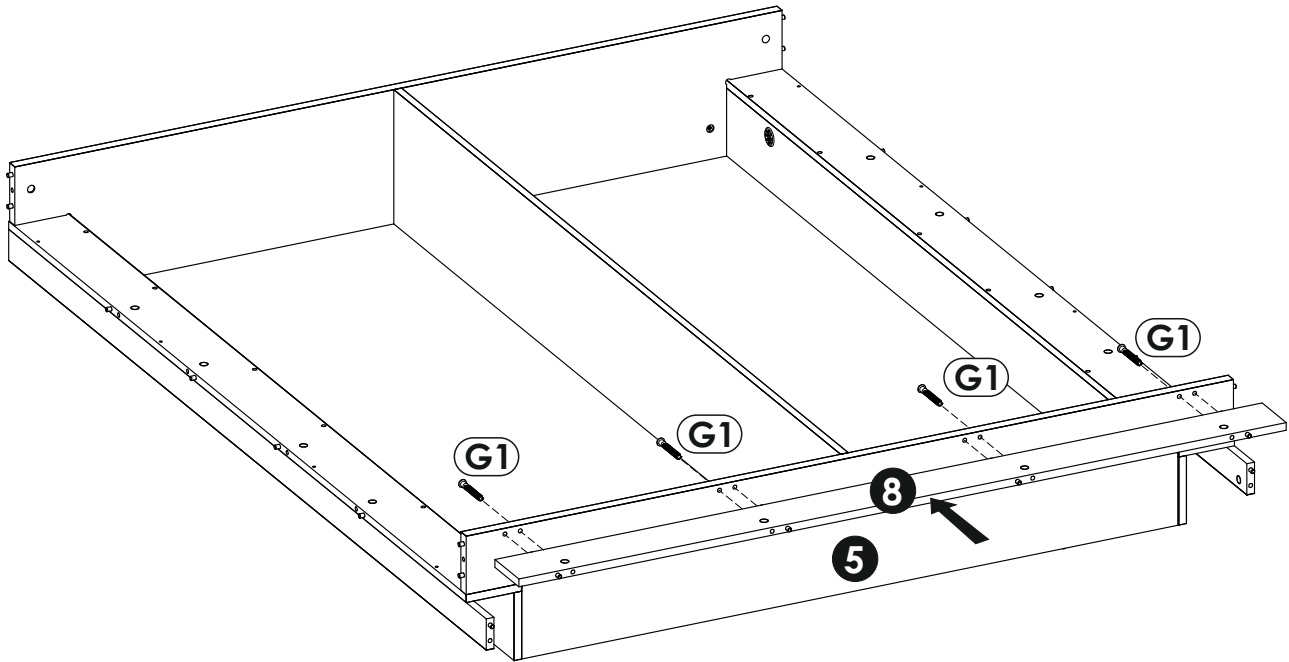
10 ▶



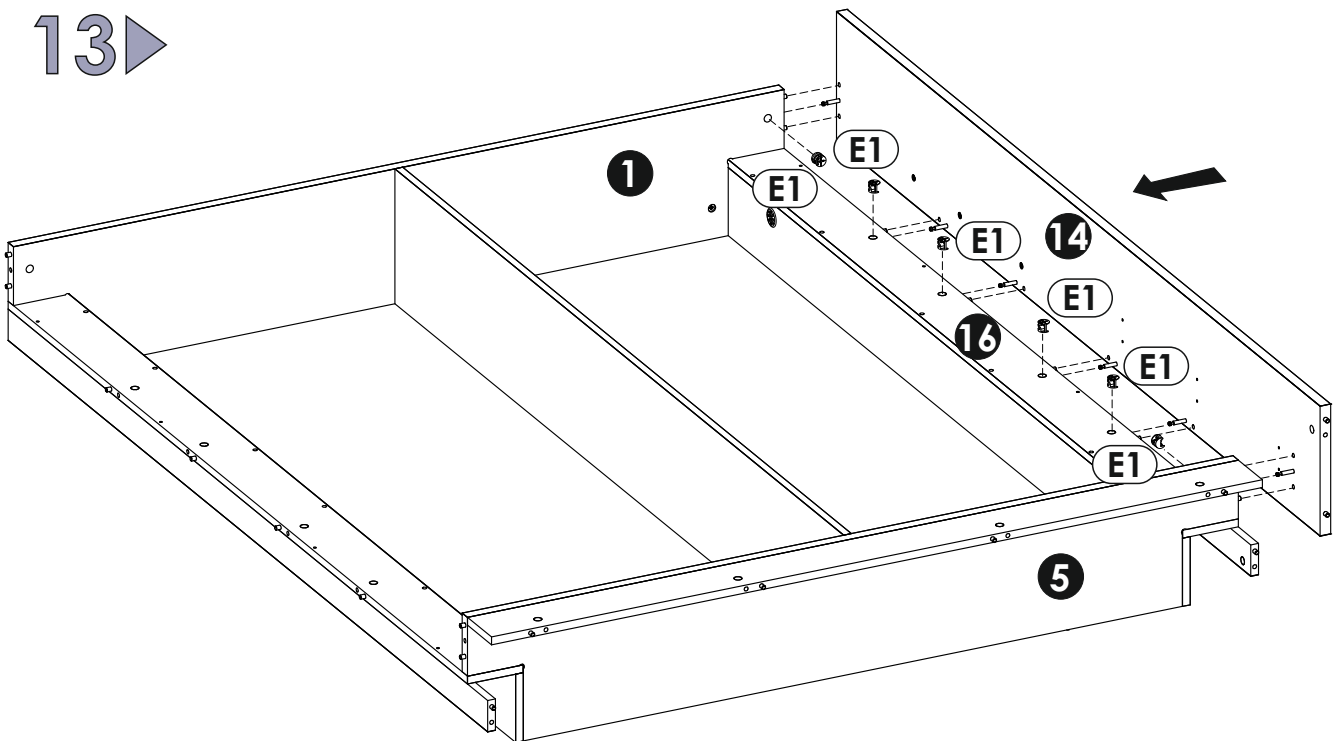
11 ▶

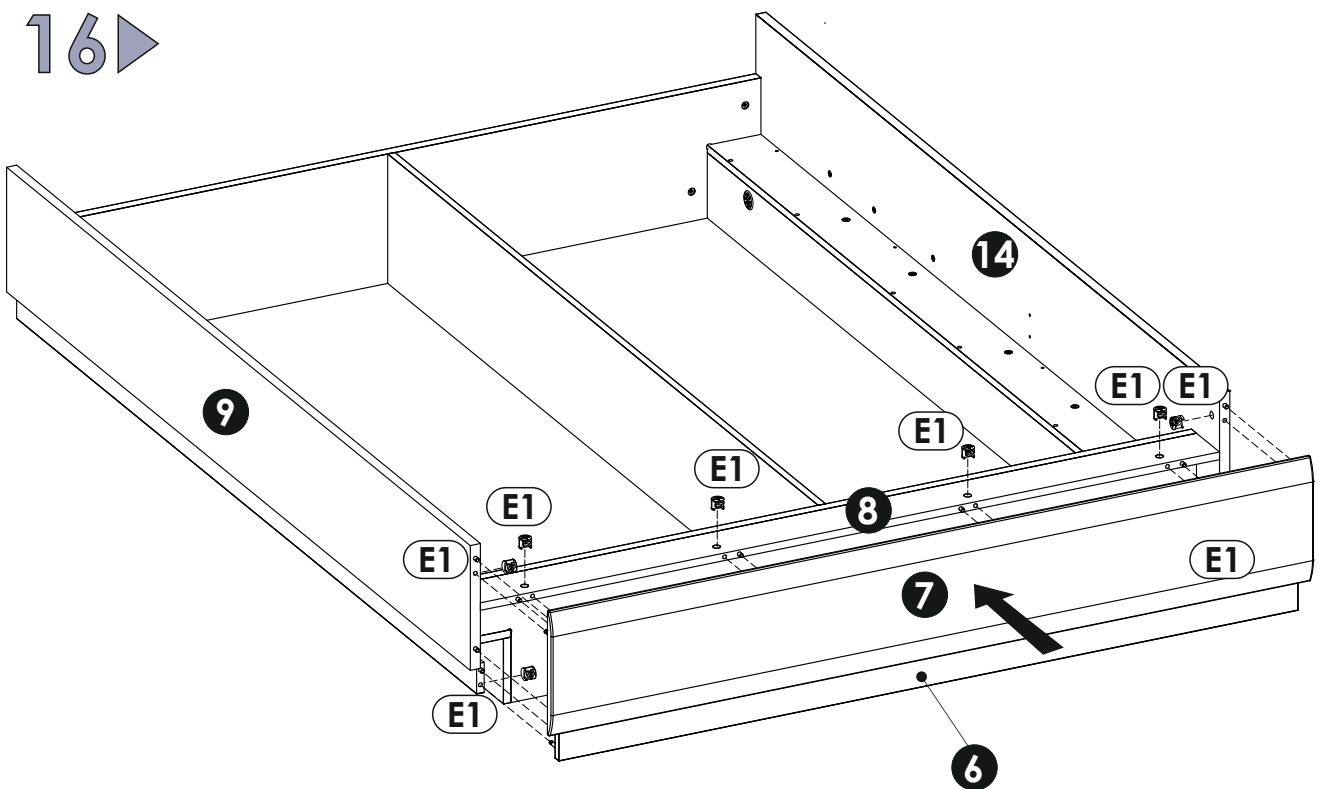
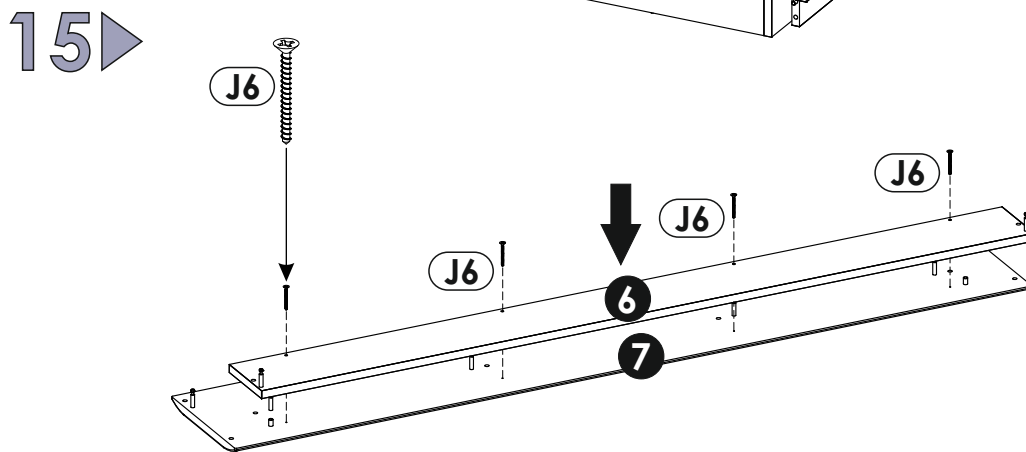
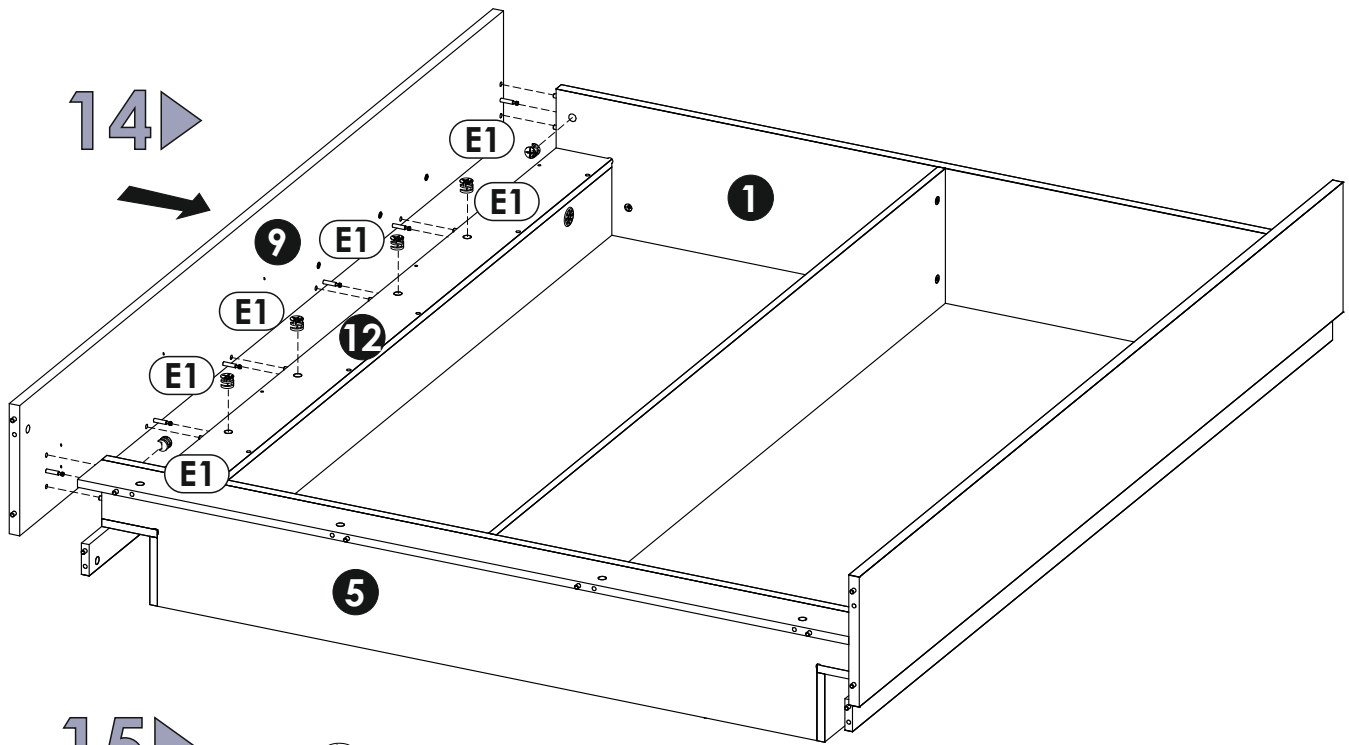


12▶

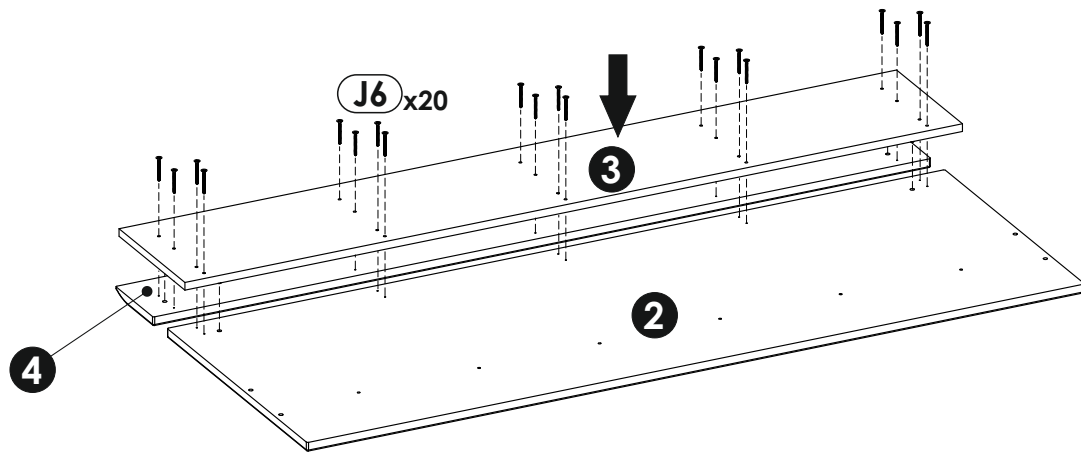


13▶

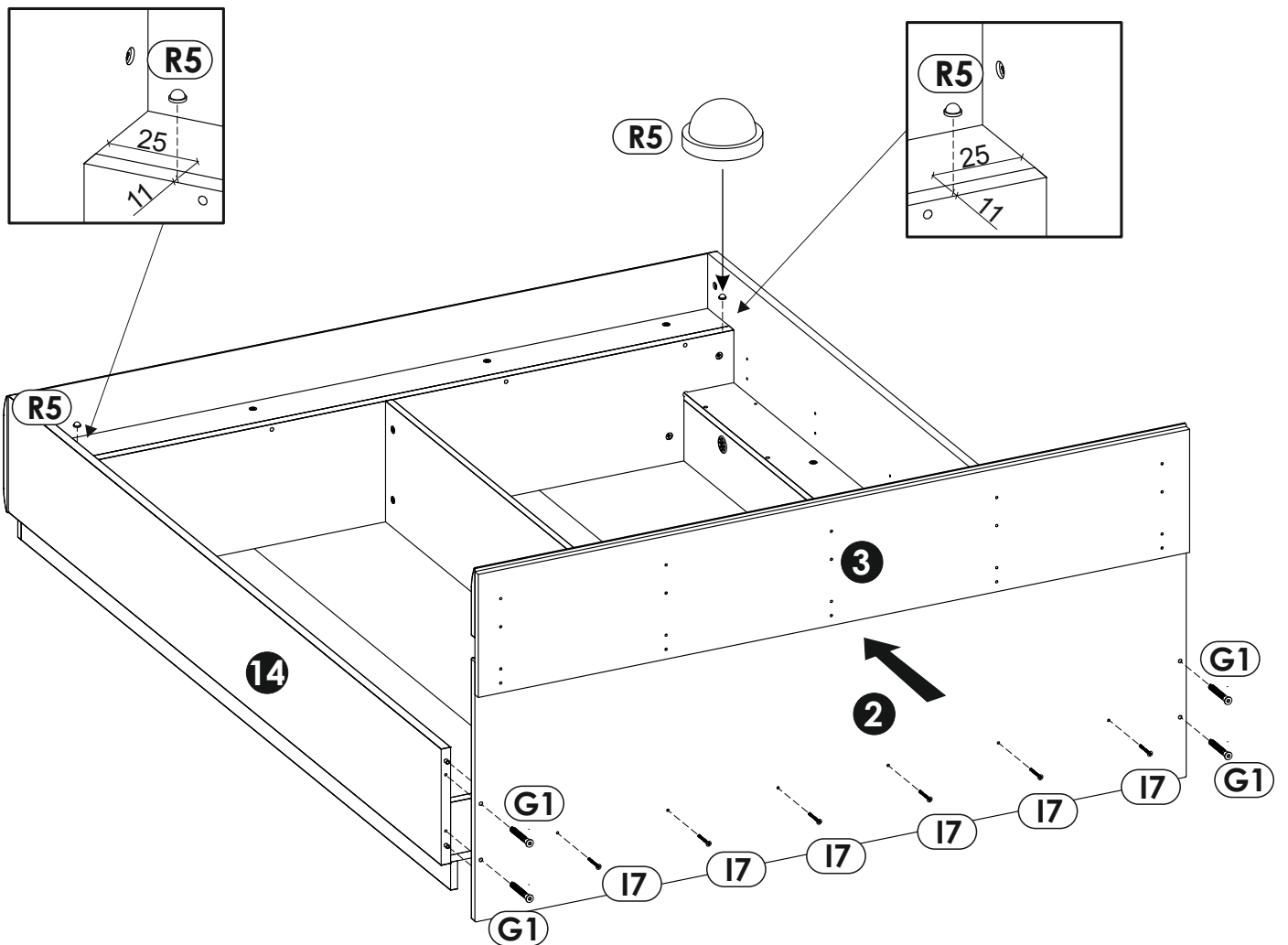




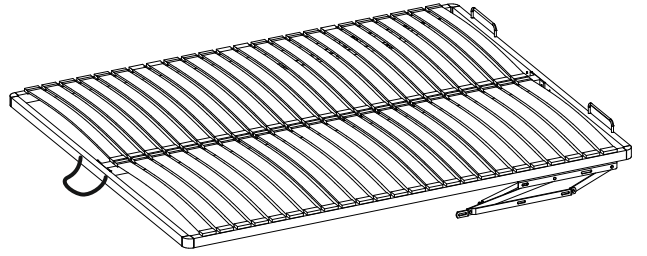
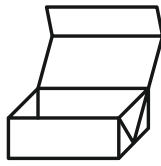
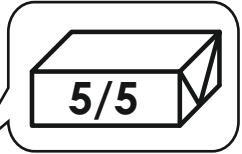
17▶



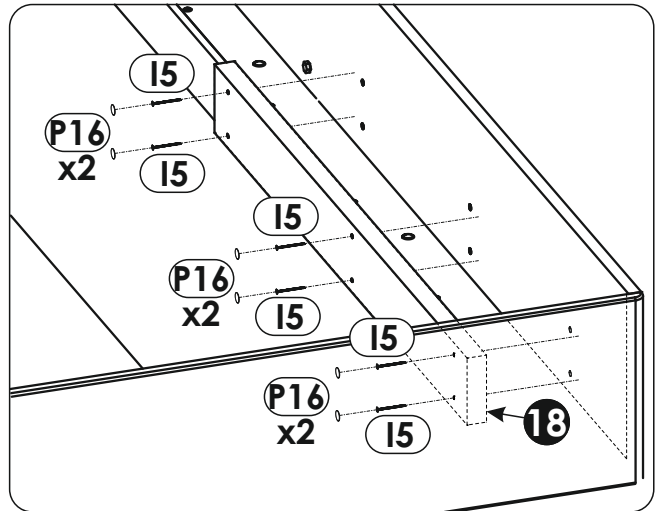
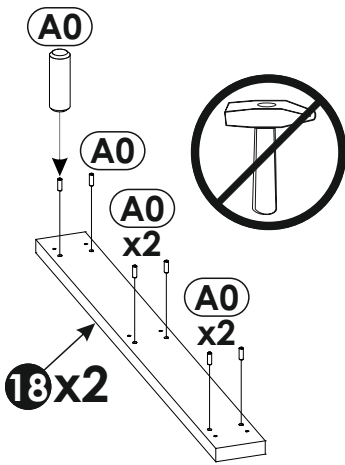
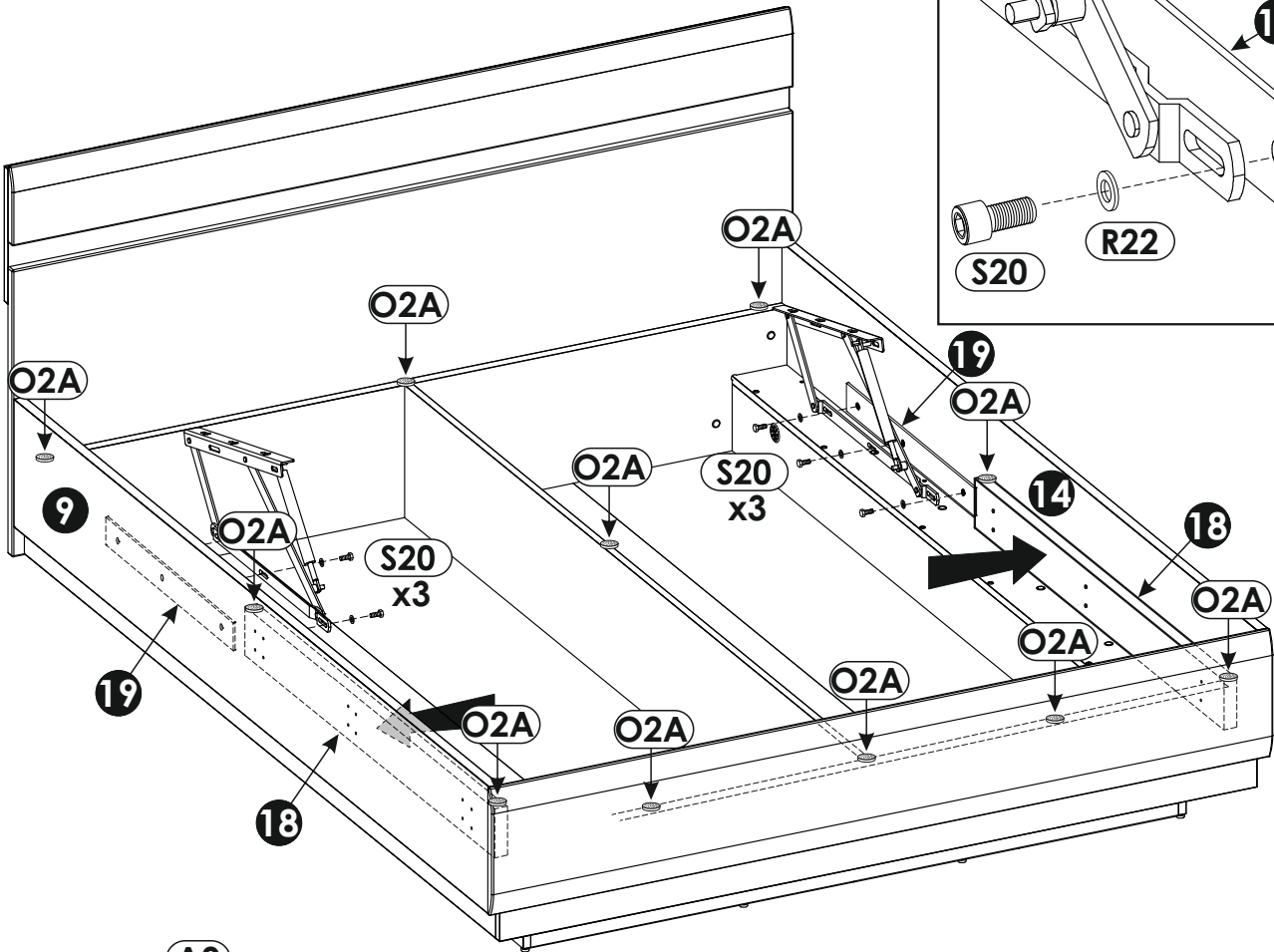
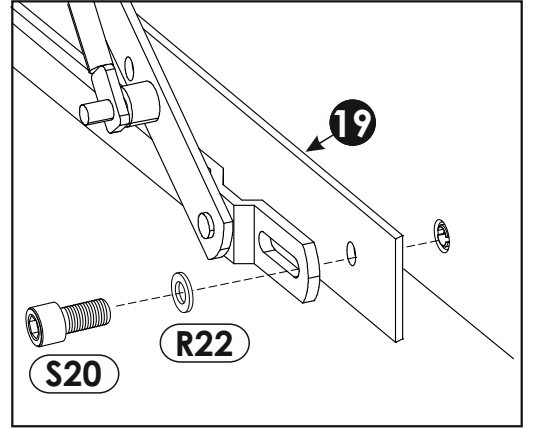
18▶



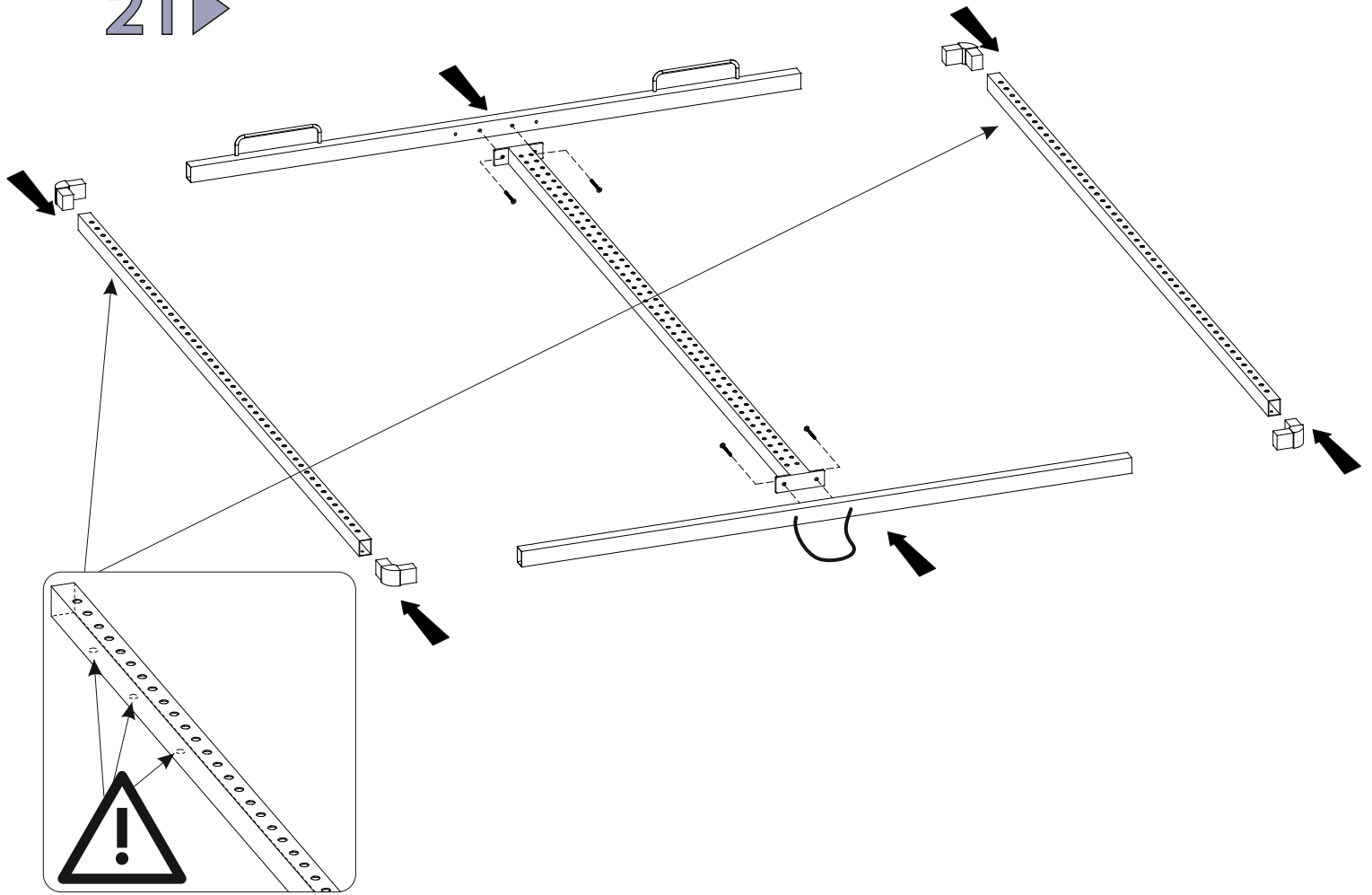
19 ▶



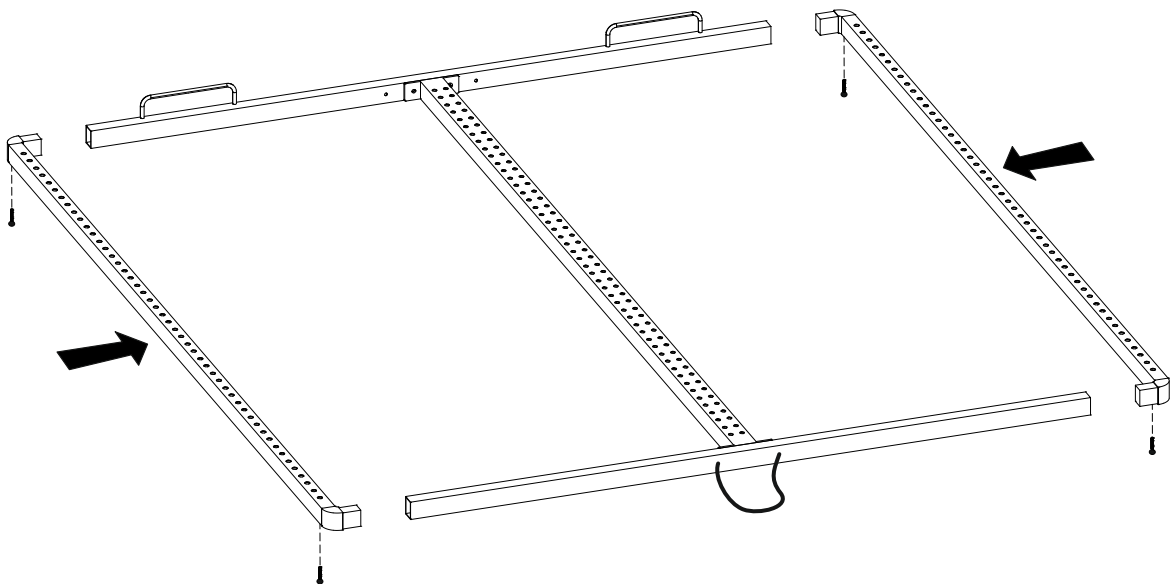
20 ▶



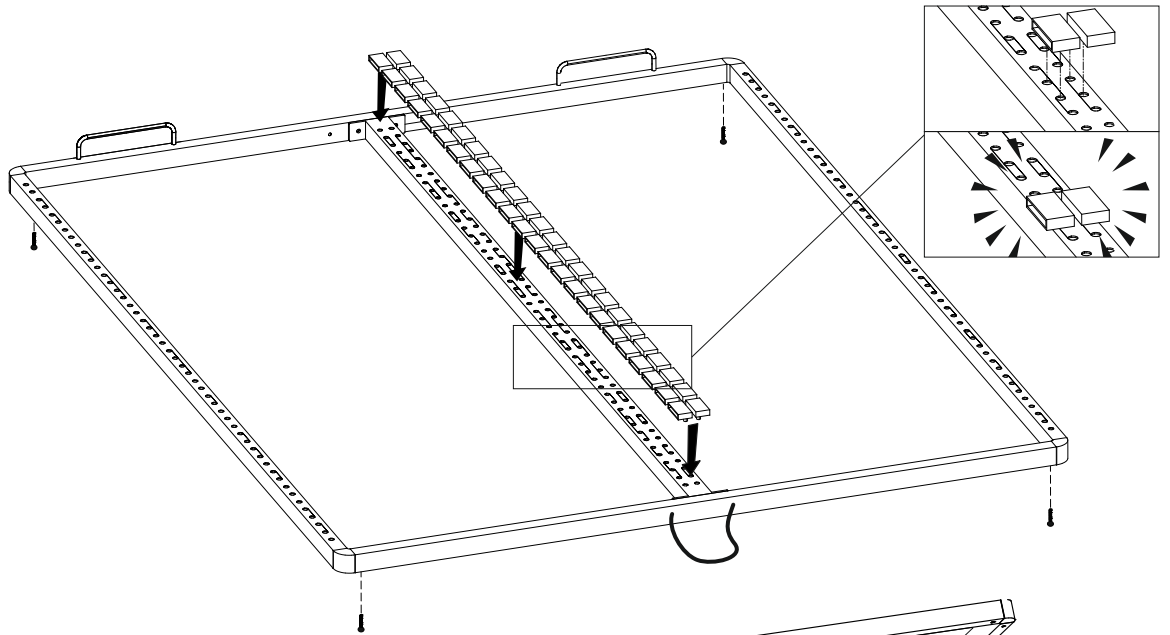
21 ▶



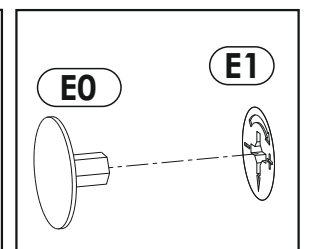
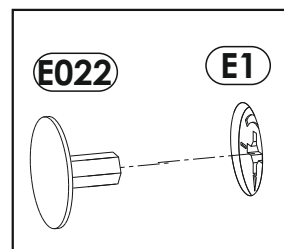
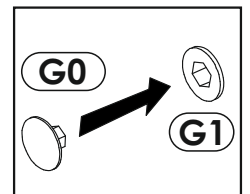
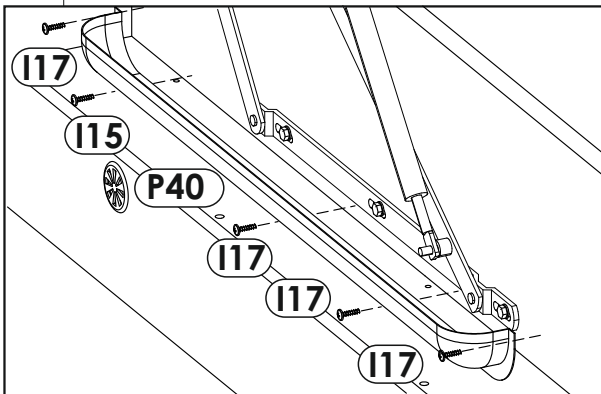
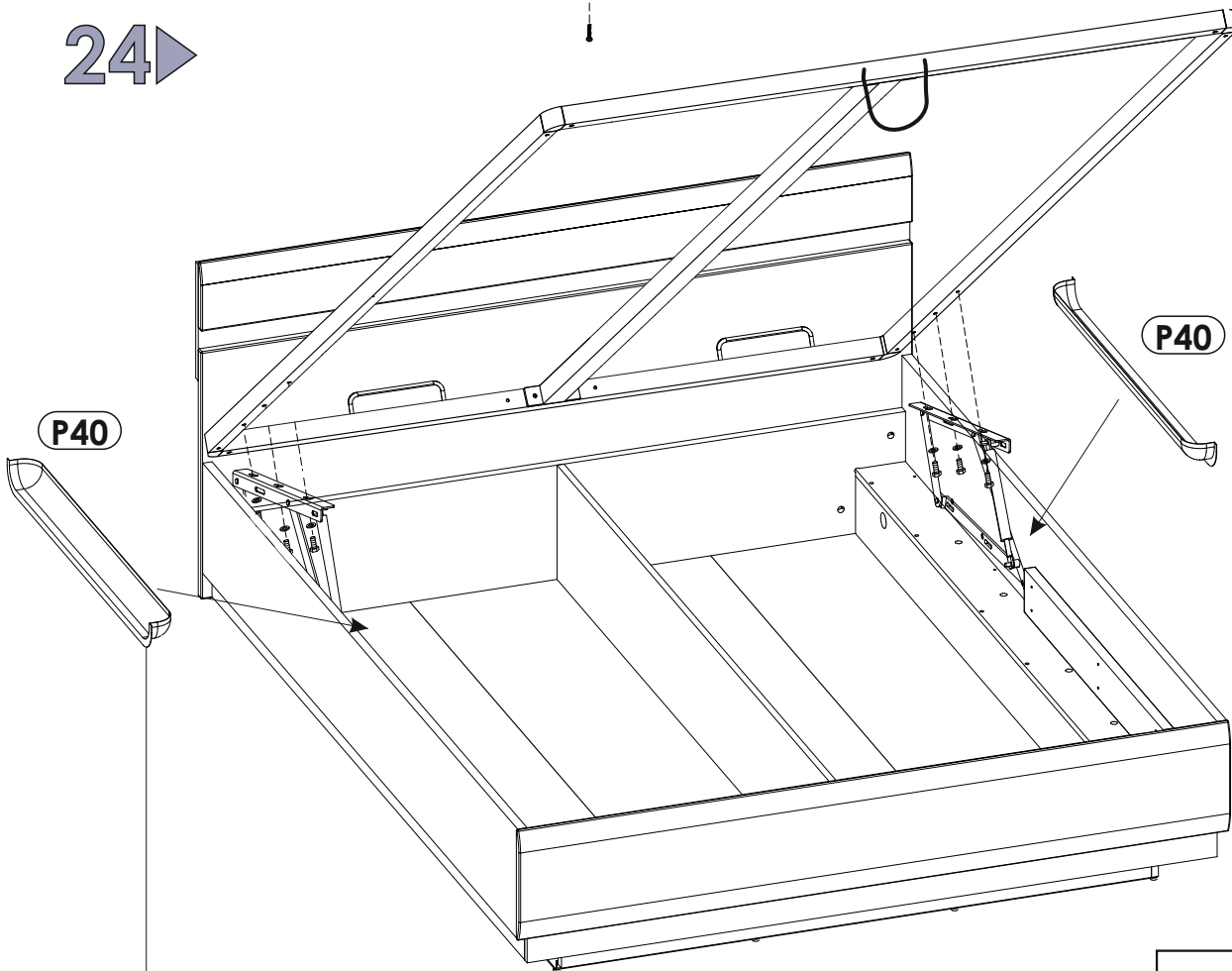
22 ▶



23 ▶

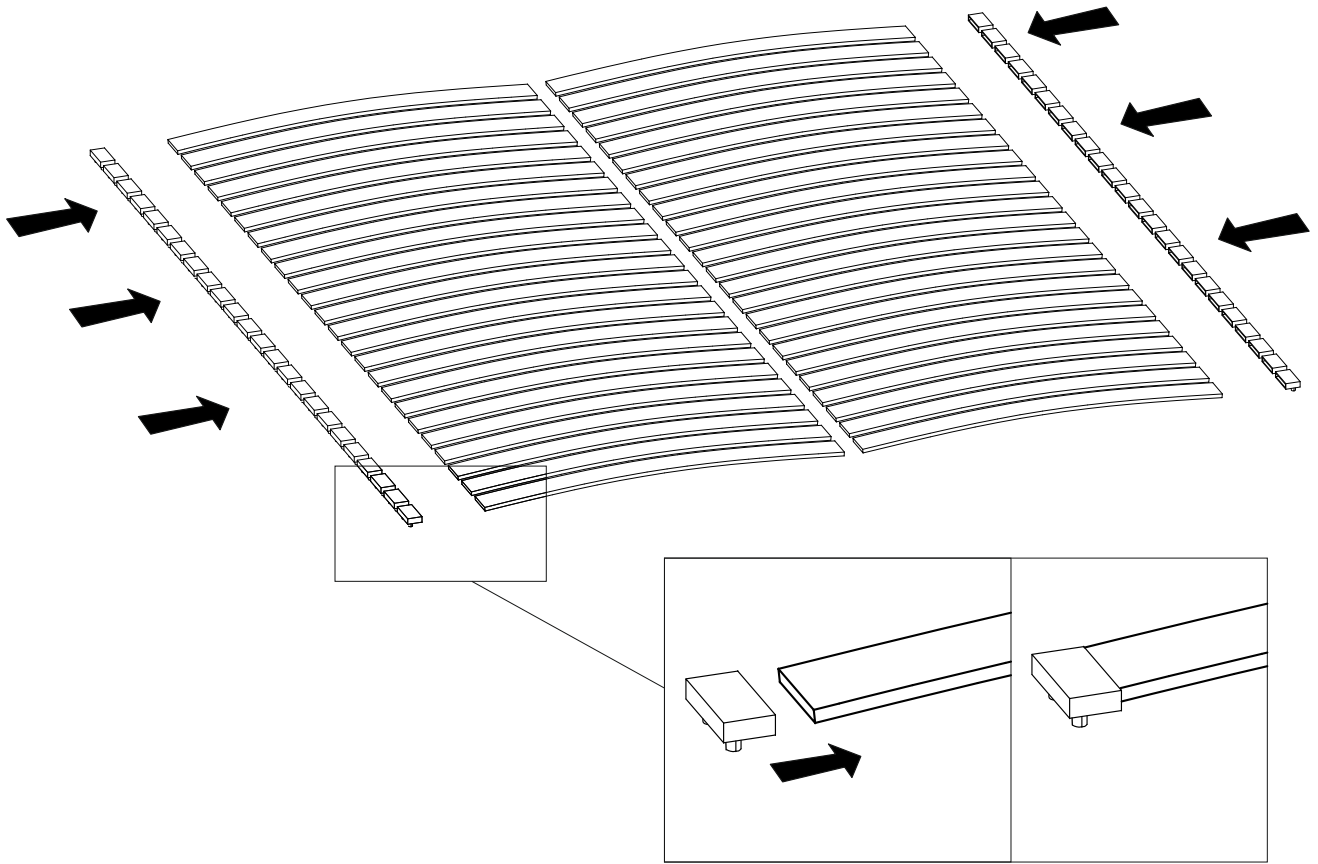


24 ▶

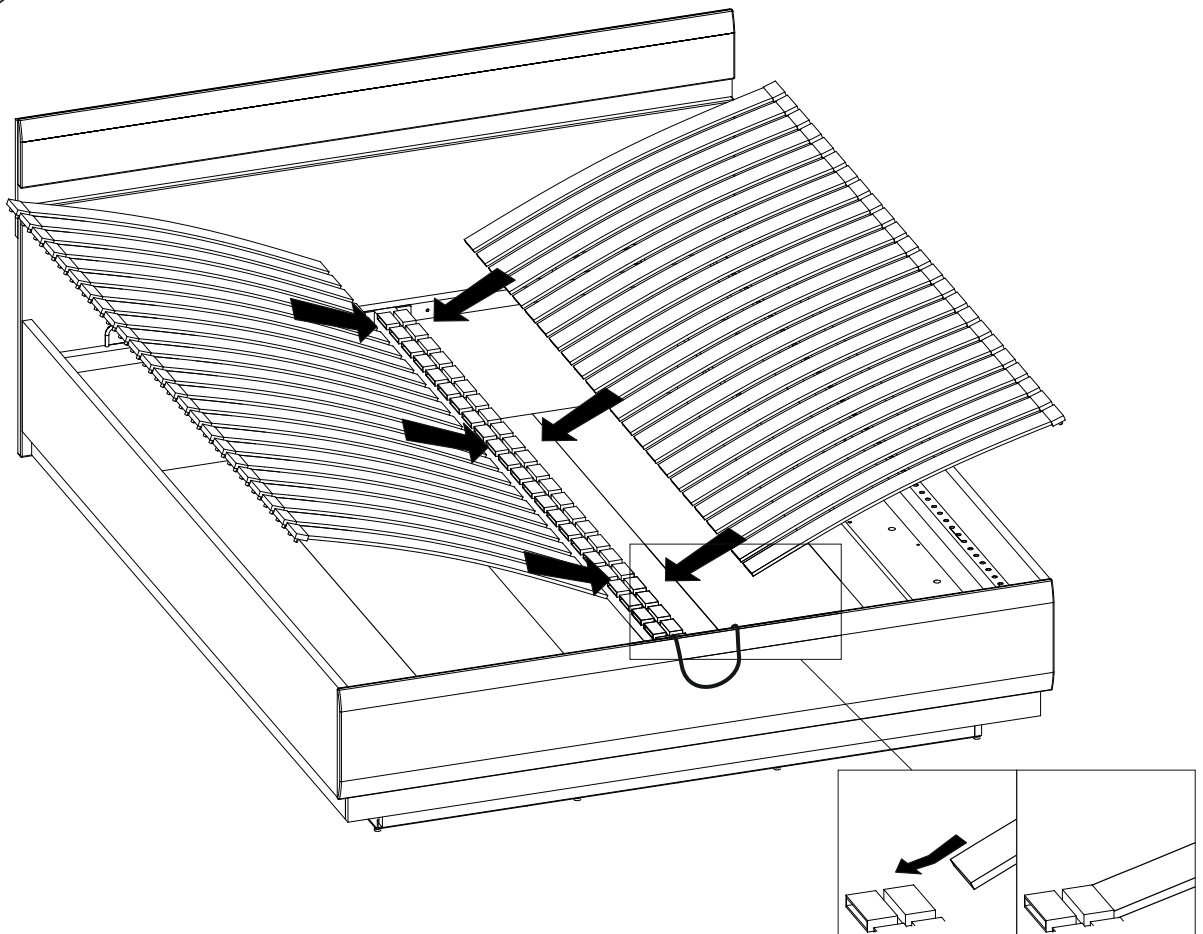




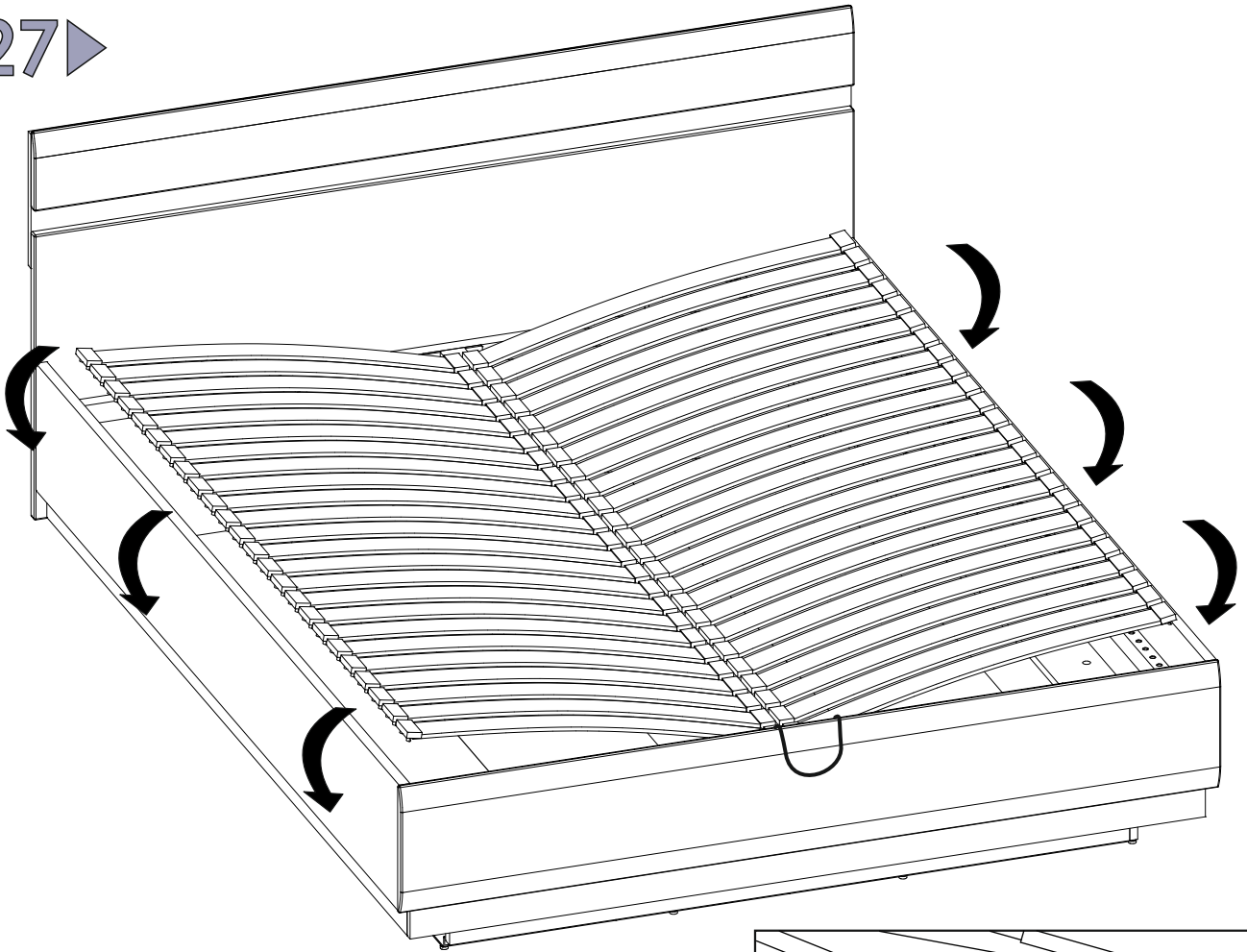
25▶



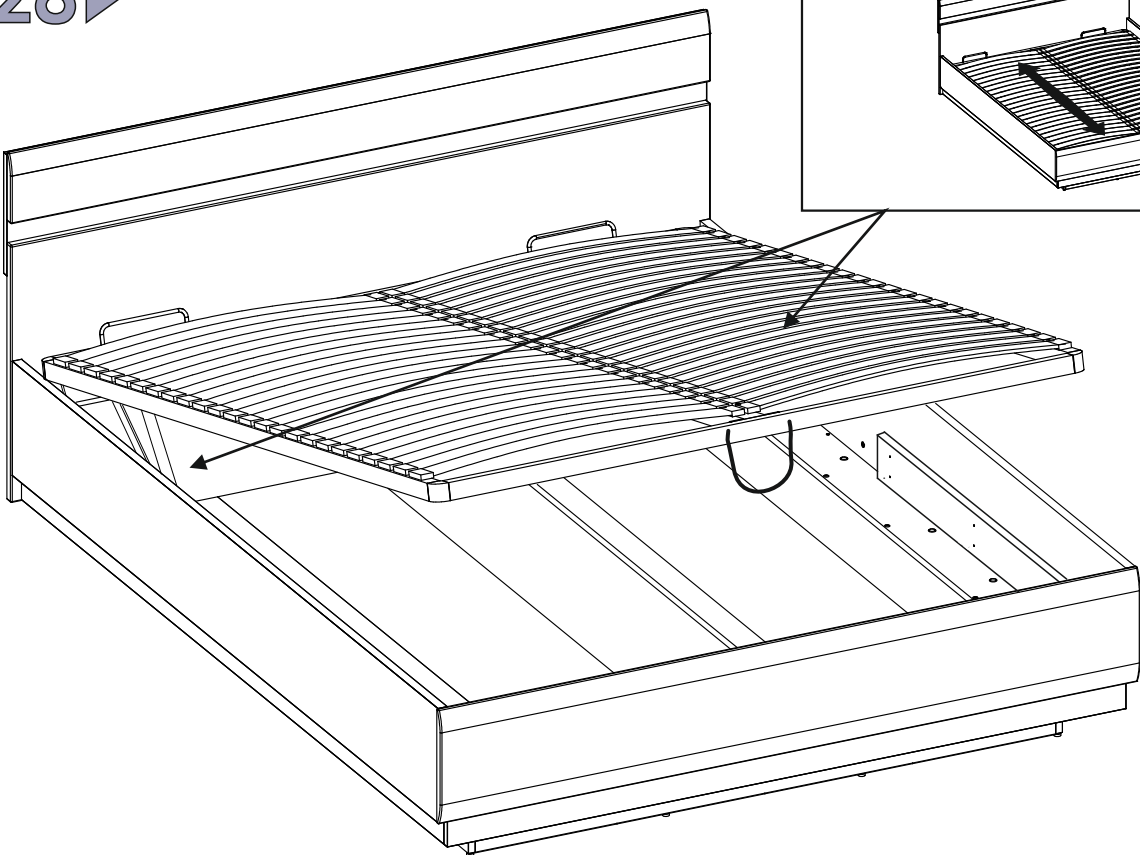
26▶



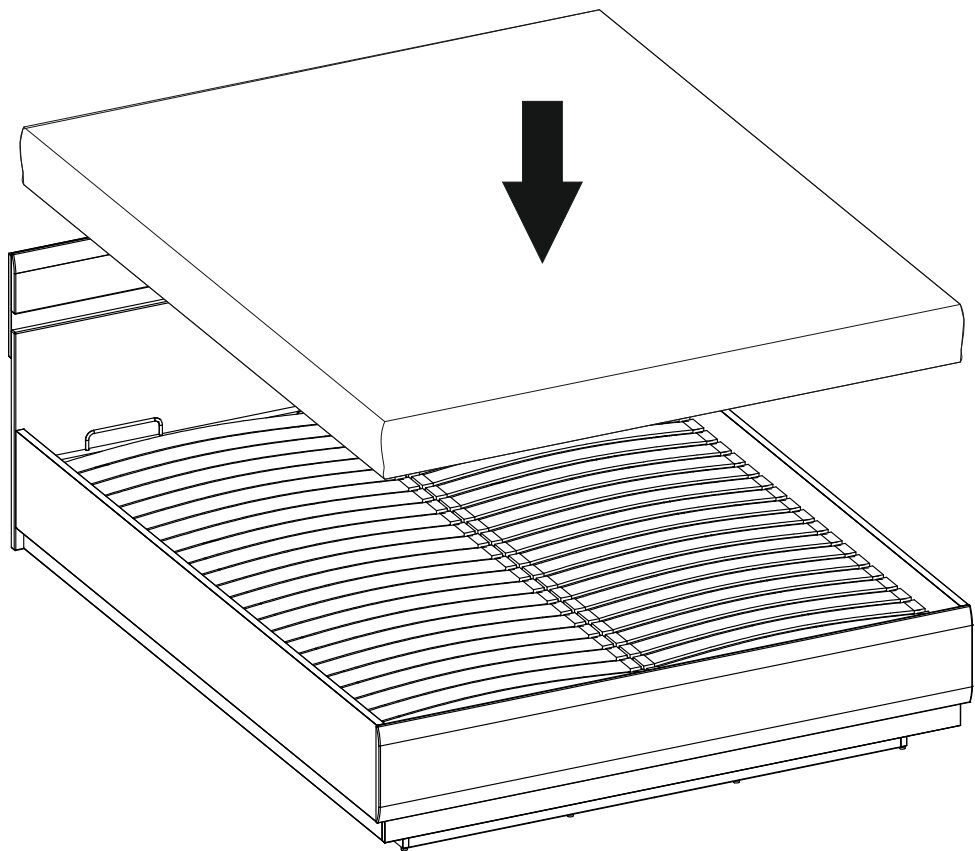
27▶



28▶



29 ▶



30 ▶

