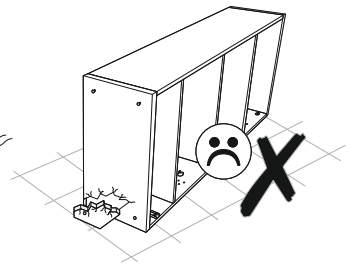
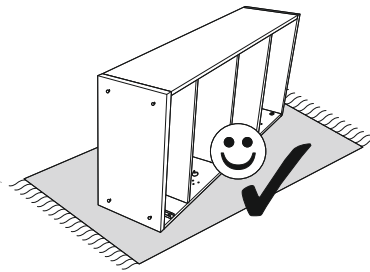
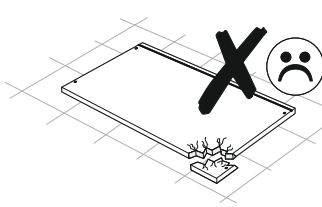
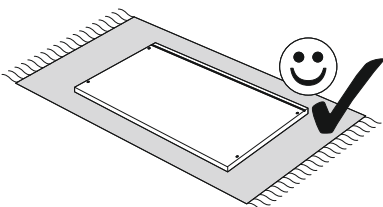
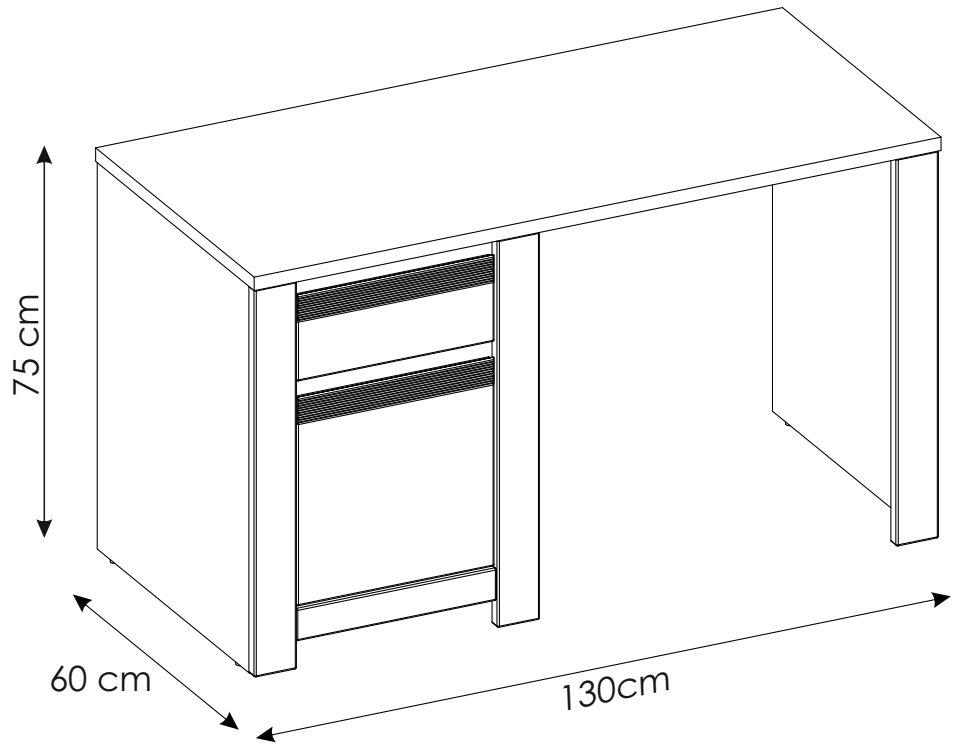
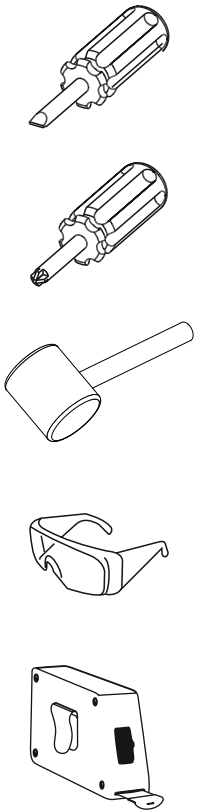
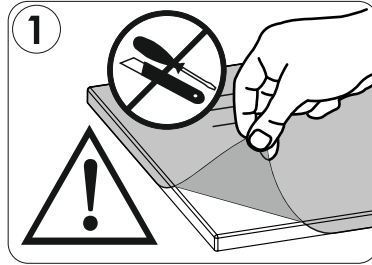
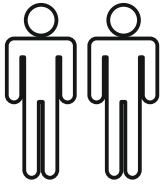
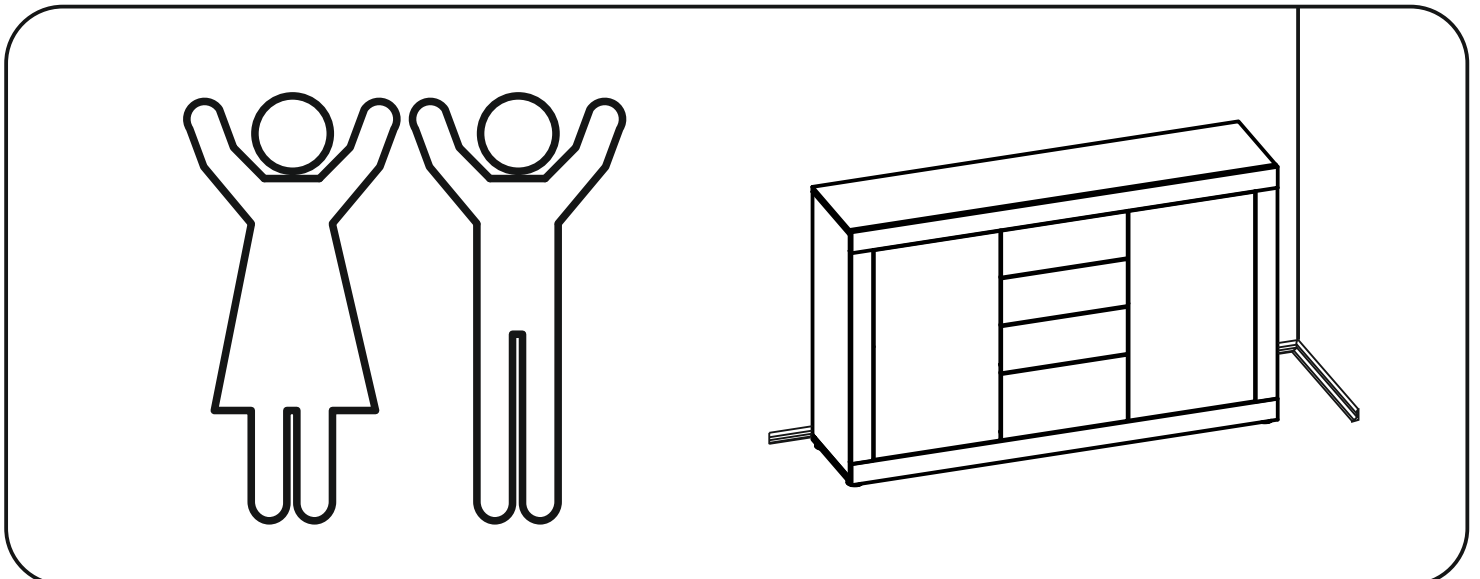
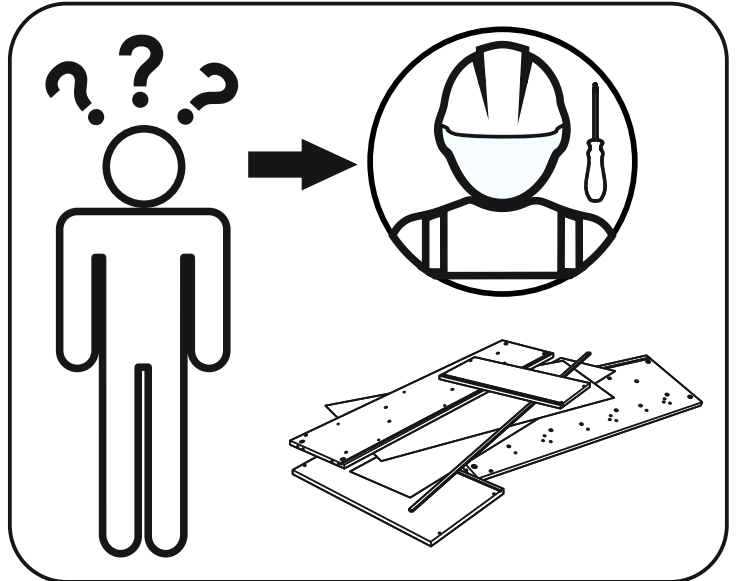
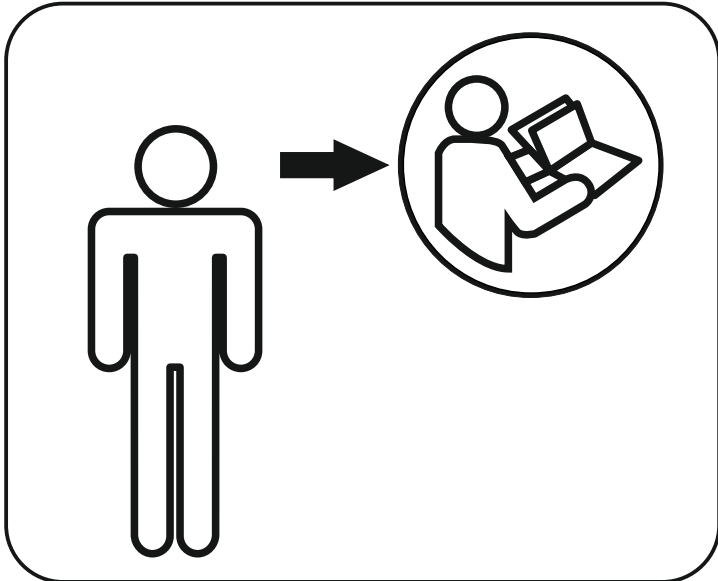
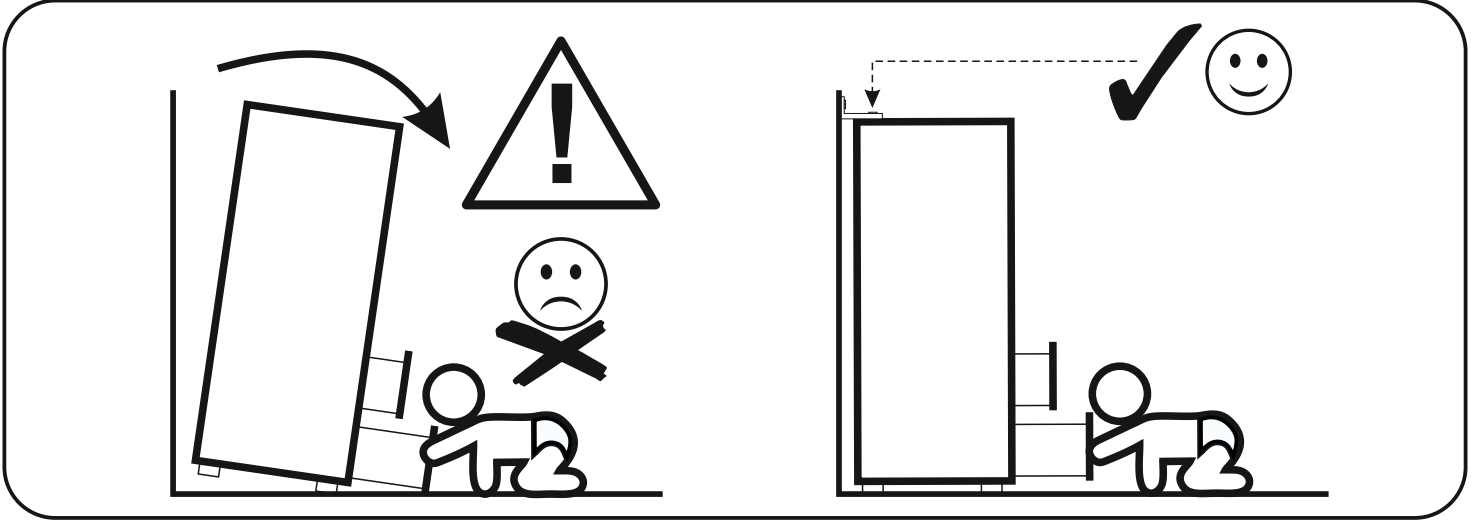
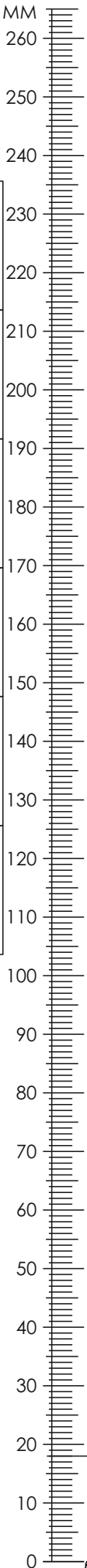


NVIB01

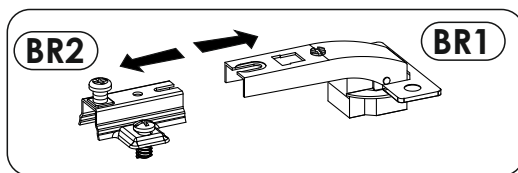
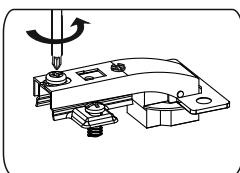




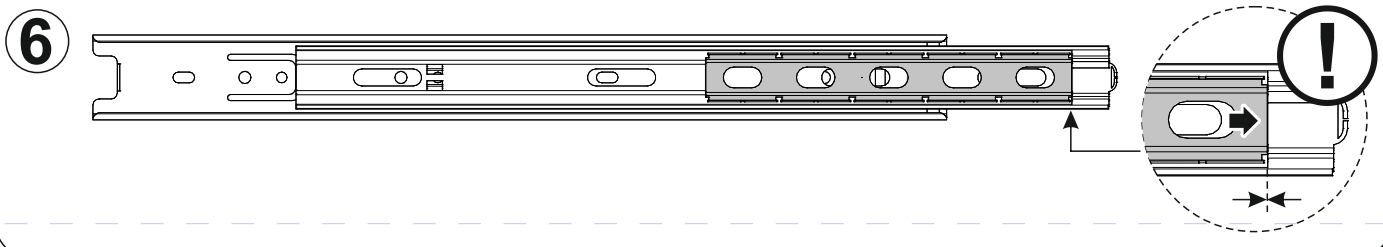
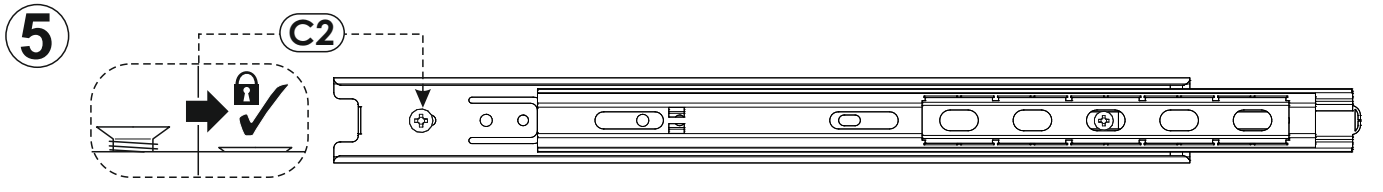
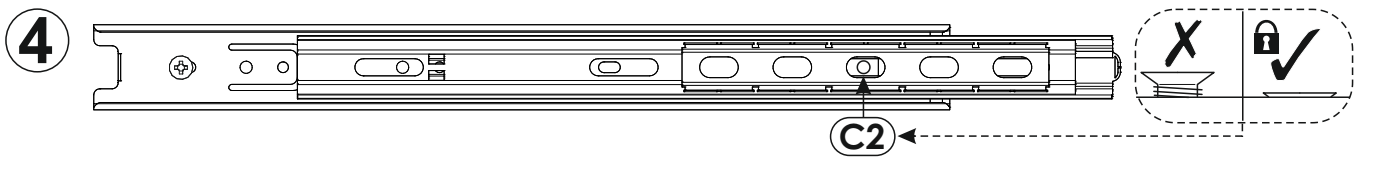
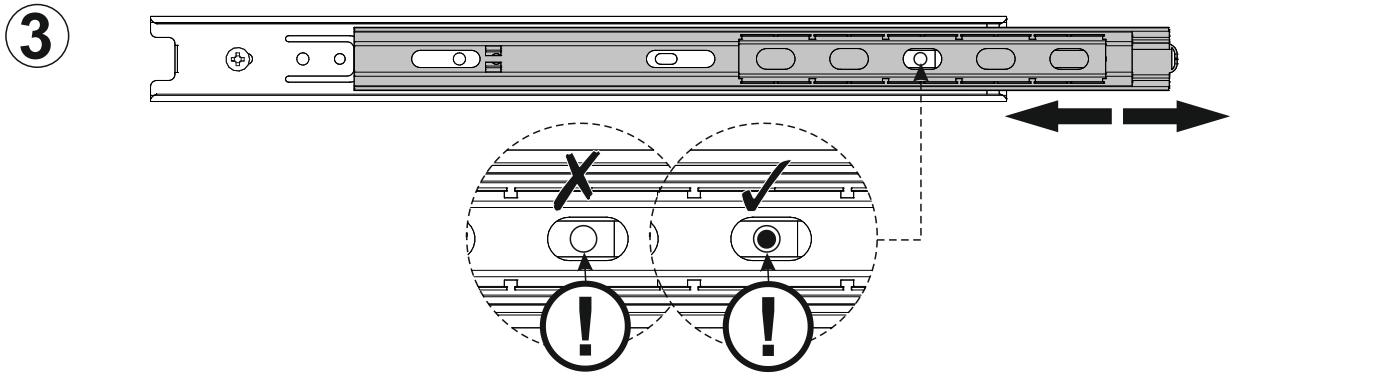
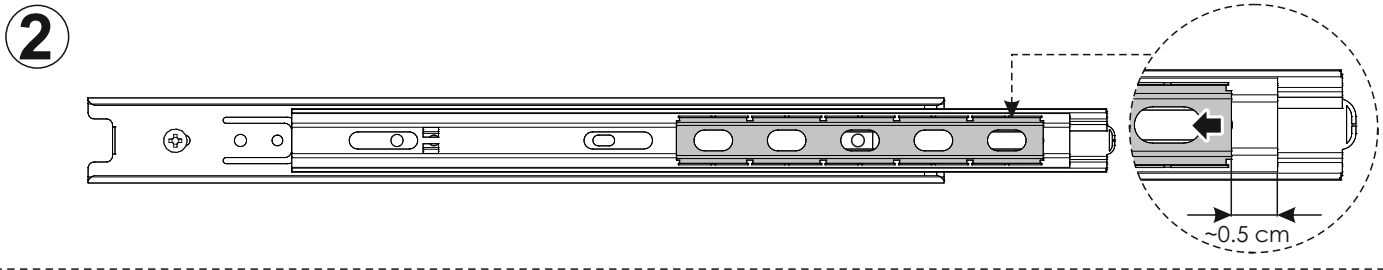
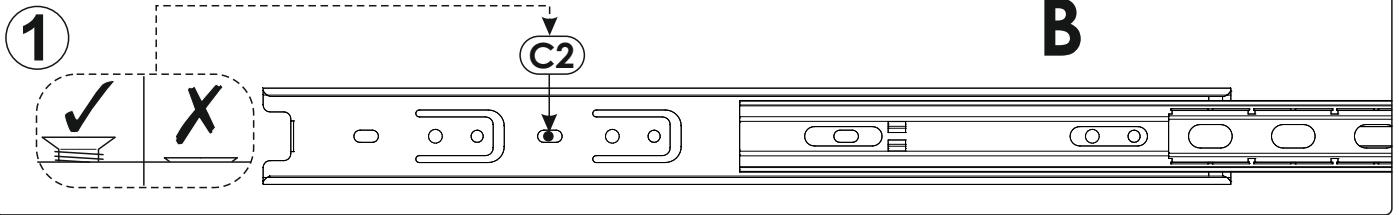
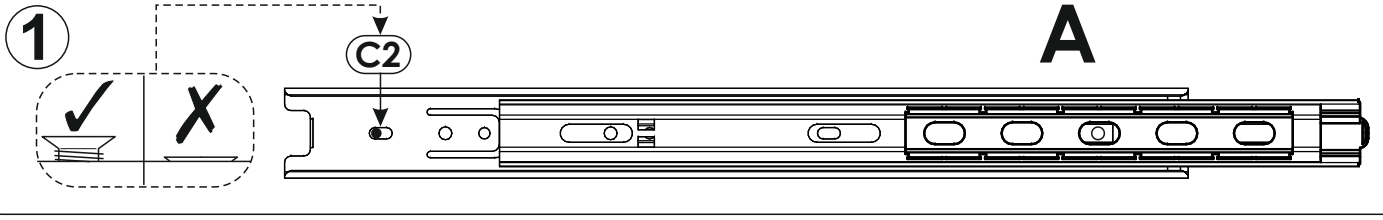
NVIB01



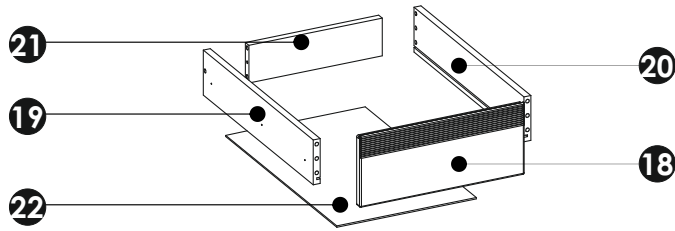
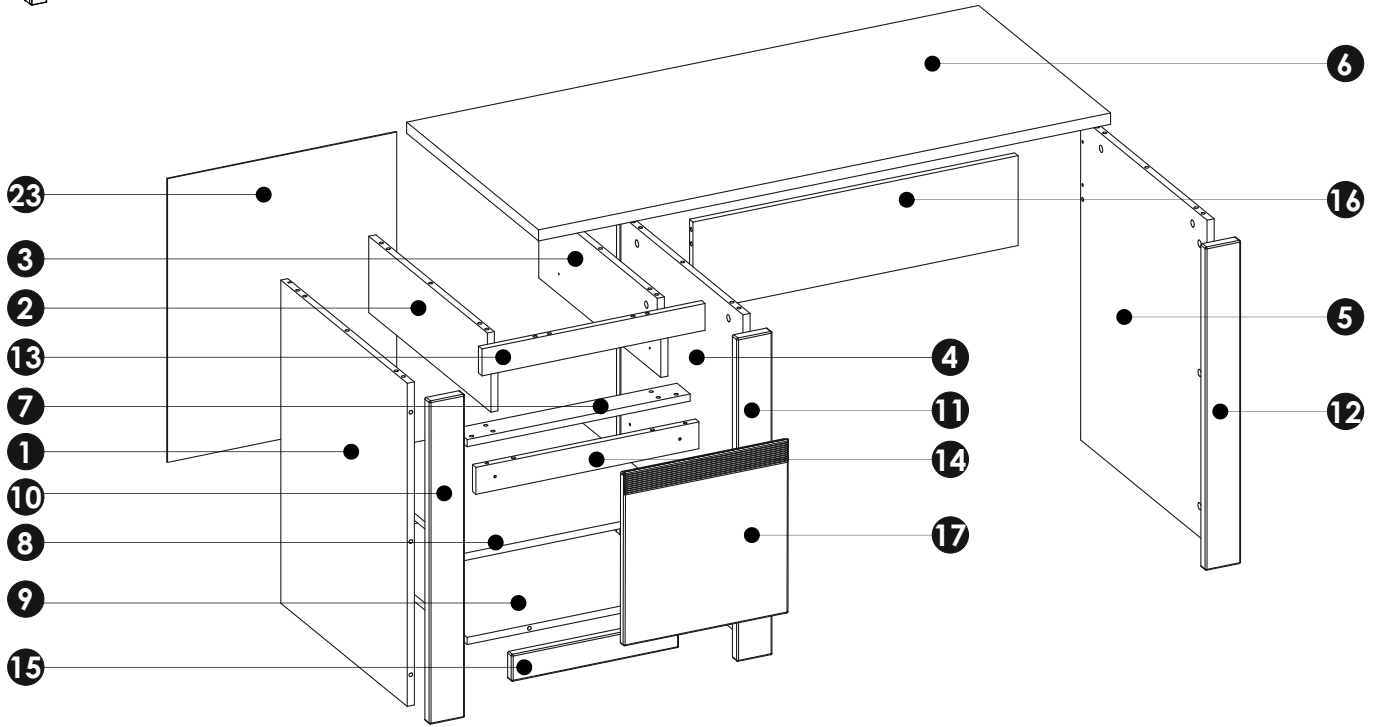
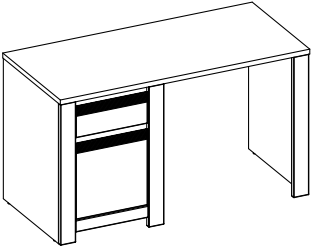
A1 8 x 35 mm x39 	BR1 + BR2 x2 	C1 4 x 13 mm x4
C2 5 x 13 mm x4 	D2 x4 	E0 x13
E1 15 x 12 mm x33 	F1 6 x 34 mm x33 	G1 7 x 50 mm x6
I18 3,5 x 27 mm x4 	M x1 	N1 3 x 16 mm x10
N2 3,5 x 16 mm x8 	N3 3 x 13 mm x1 	O2 x6
PW L - 500 x2 	Q2 x1 	Q12 x1
R4 x6 	R8 x4 	



NVIB01



NVIB01



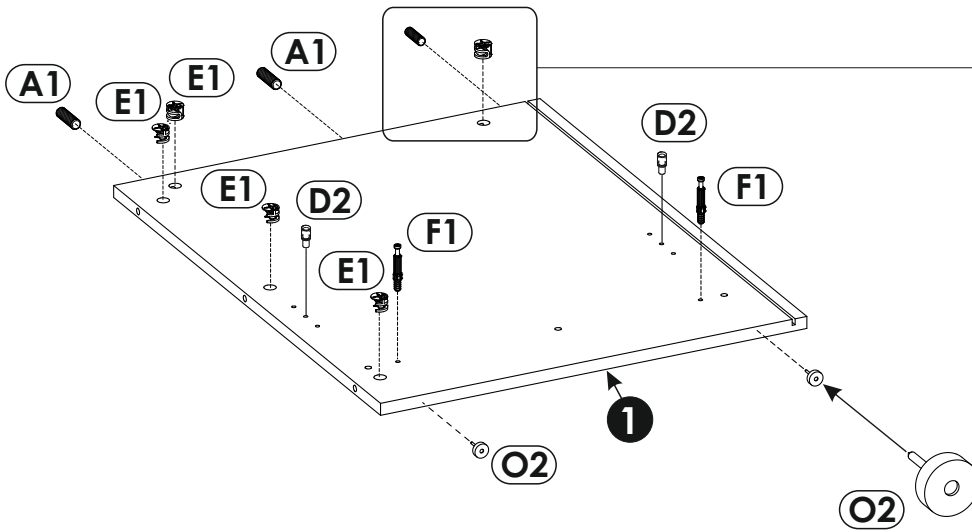
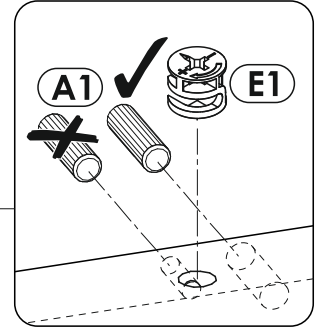
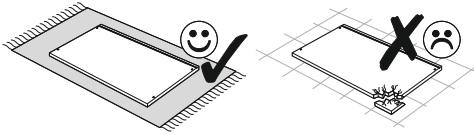
1	720	575	16 x1	1/2
2	170	555	16 x1	1/2
3	170	555	16 x1	1/2
4	720	575	16 x1	1/2
5	720	575	16 x1	1/2
6	1300	600	25 x1	2/2
7	507	60	16 x1	1/2
8	507	540	16 x1	1/2

9	507	555	16 x1	1/2
10	720	80	22 x1	2/2
11	720	80	22 x1	2/2
12	720	80	22 x1	2/2
13	507	60	16 x1	1/2
14	507	60	16 x1	1/2
15	380	60	19 x1	2/2
16	739	200	16 x1	2/2

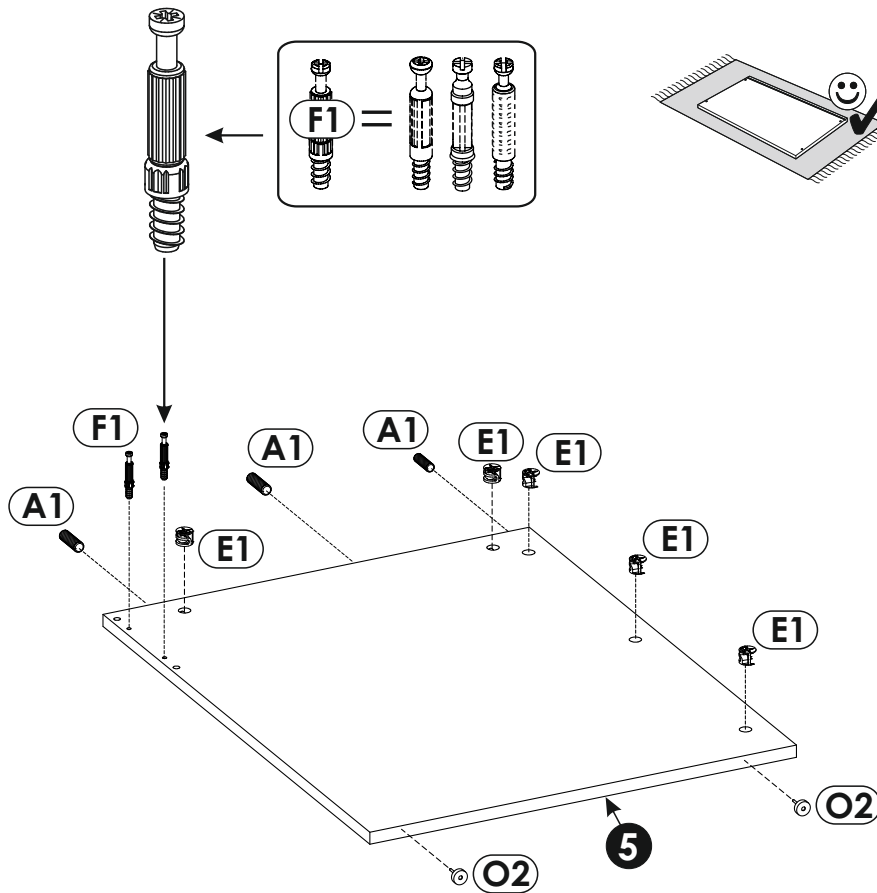
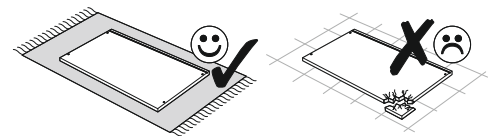
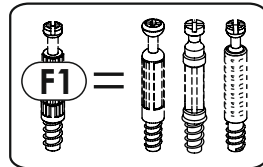
17	387	374	16 x1	2/2
18	374	160	16 x1	2/2
19	500	100	16 x1	1/2
20	500	100	16 x1	1/2
21	303	84	16 x1	2/2
22	317	505	3 x1	2/2
23	632	521	3 x1	1/2



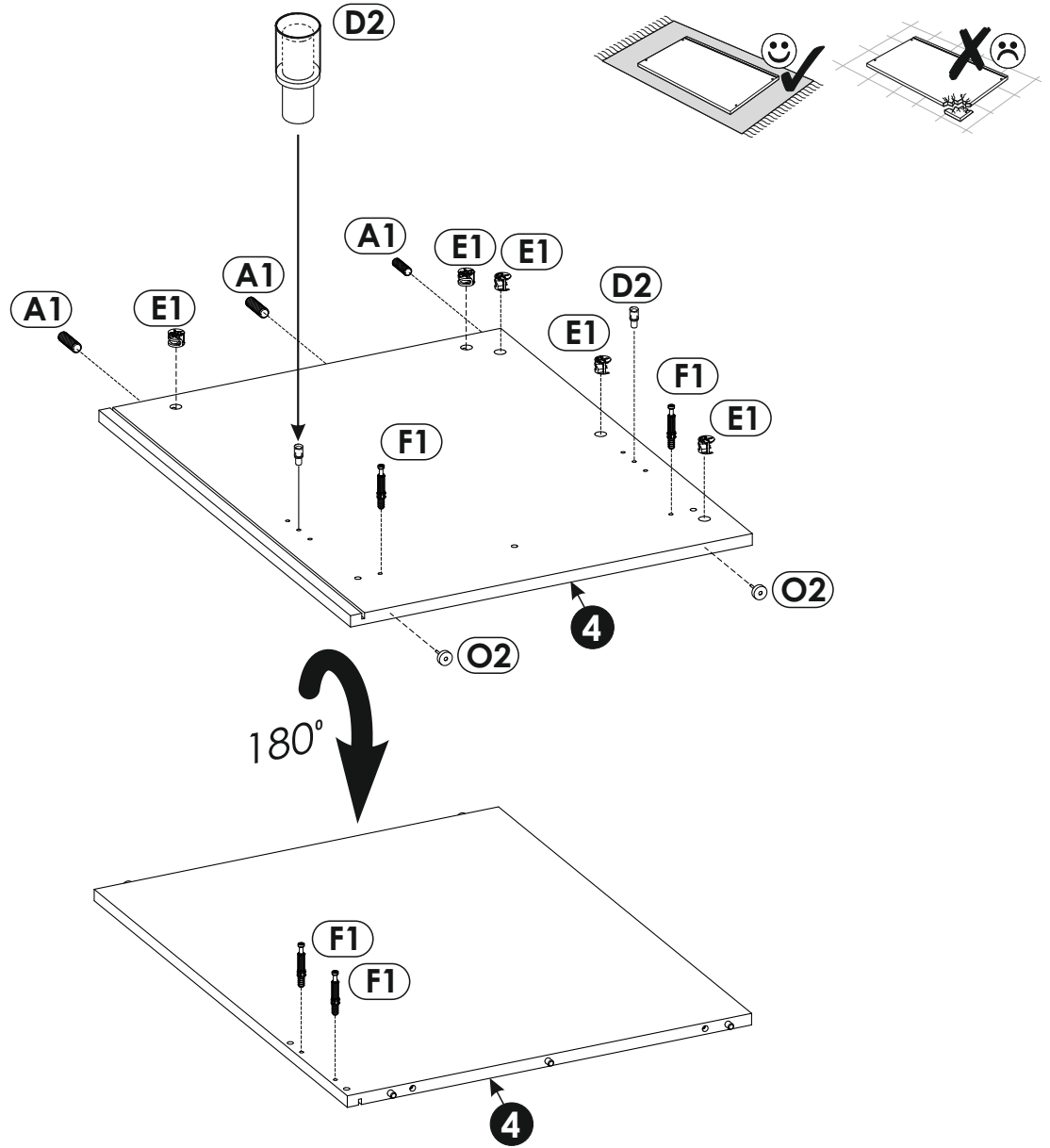
1 ▶



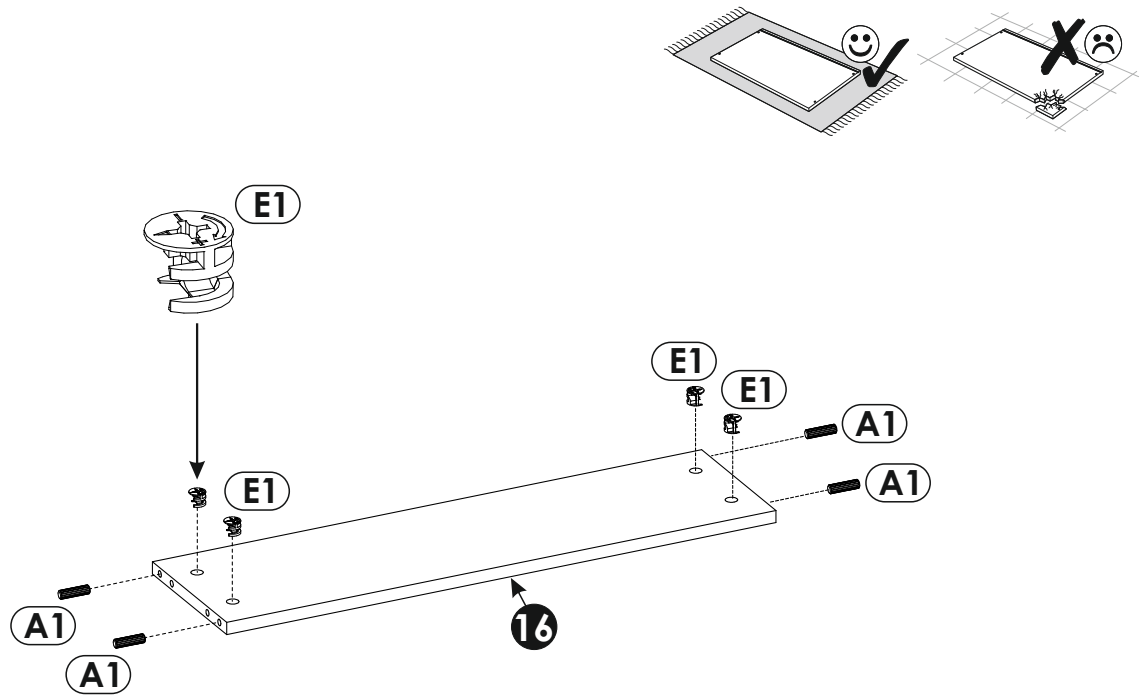
2 ▶

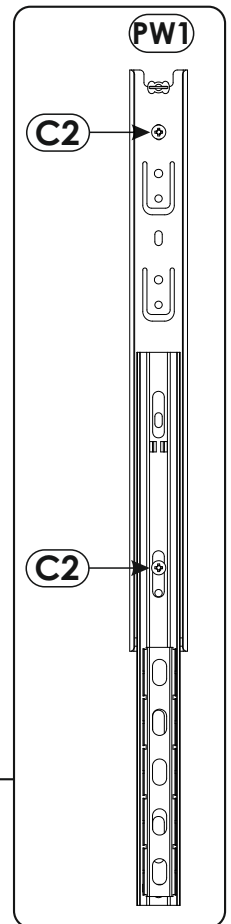
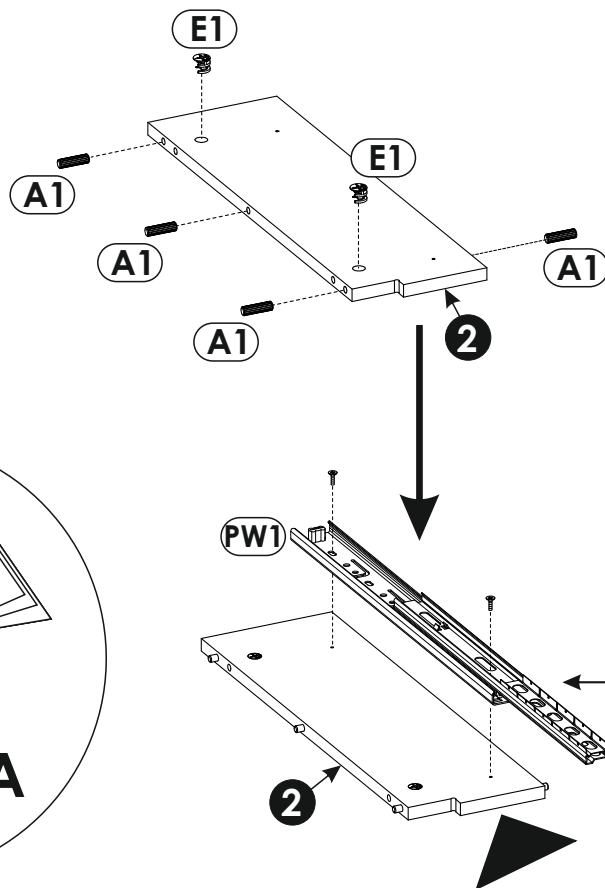
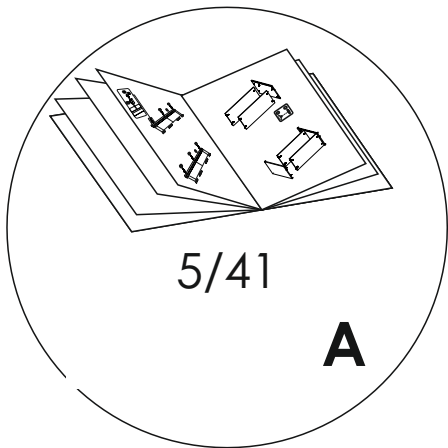
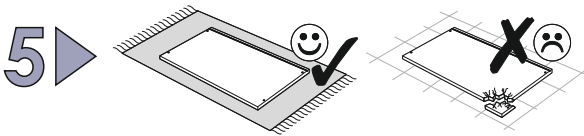
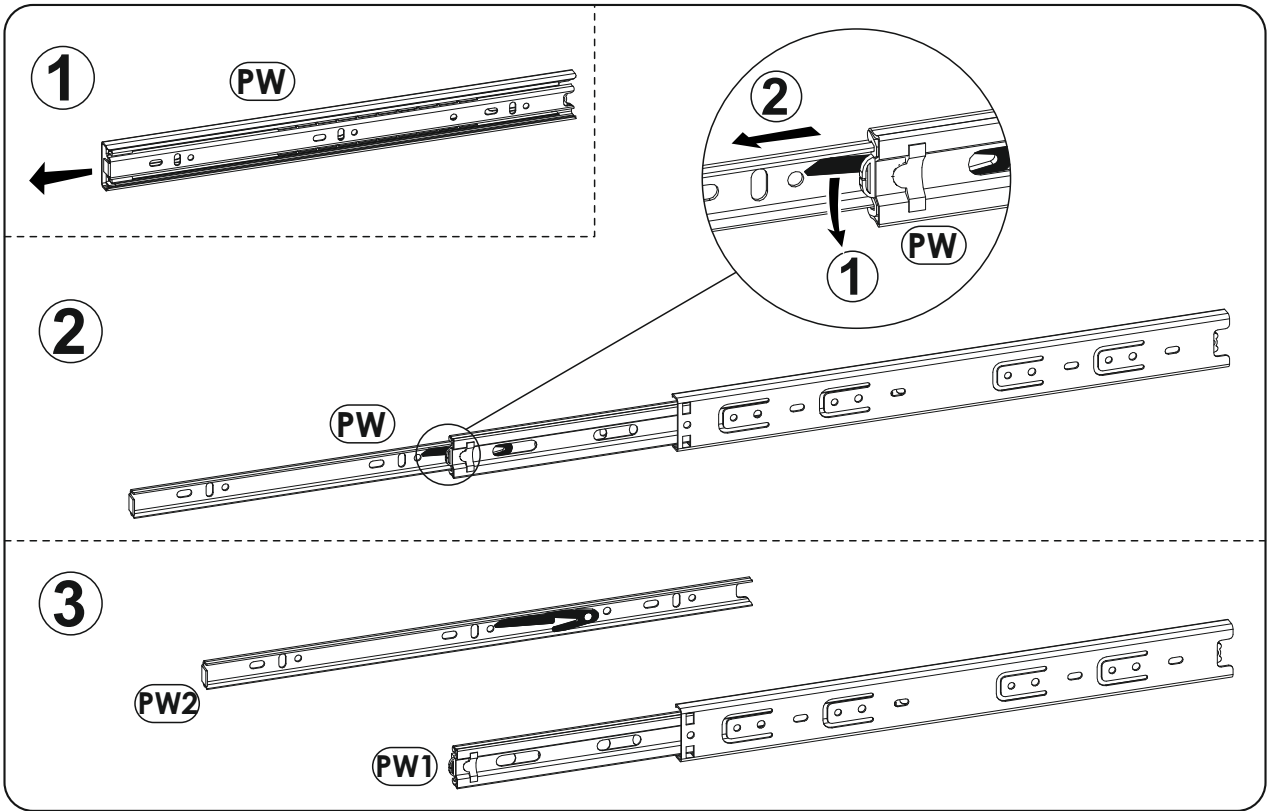


3 ▶

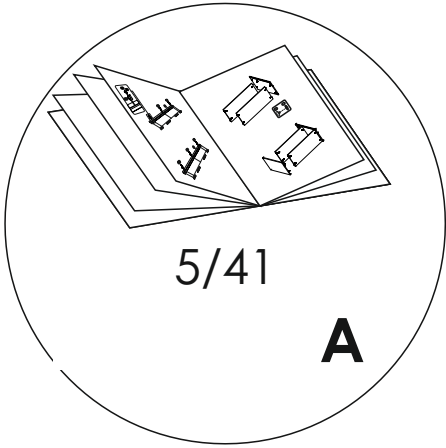
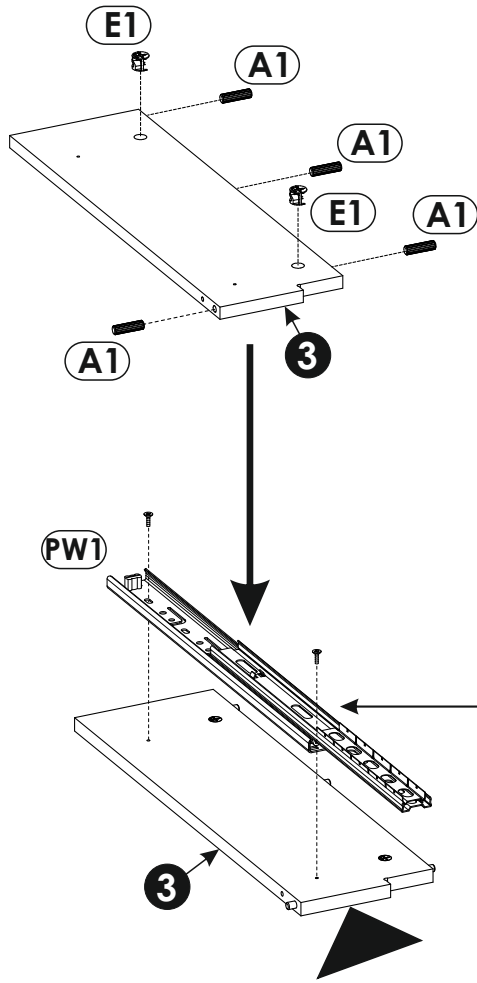
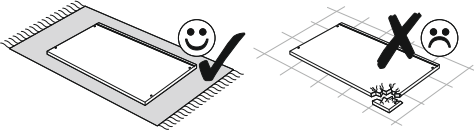


4 ▶

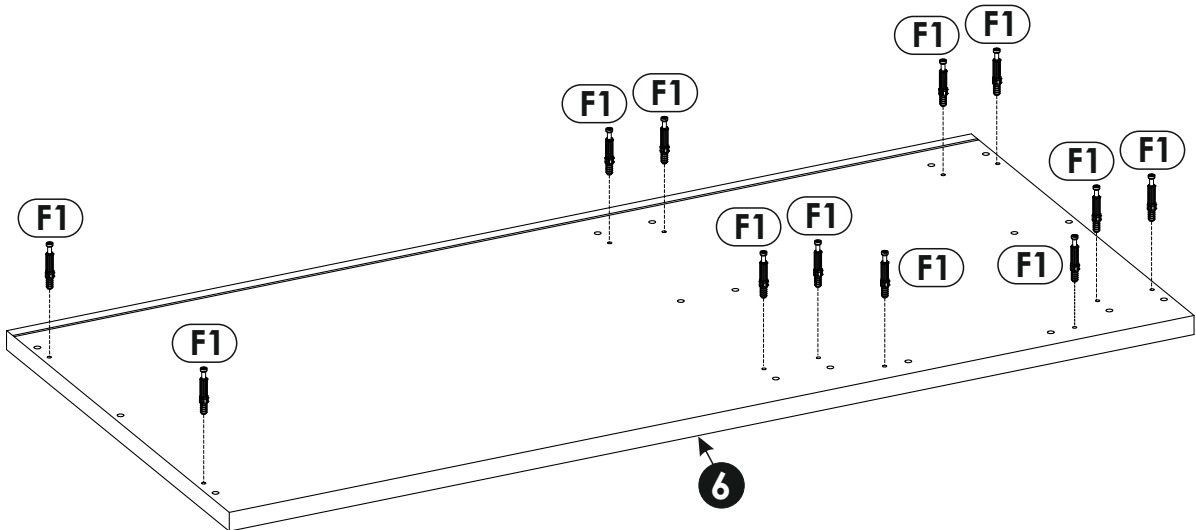
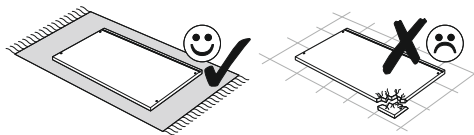




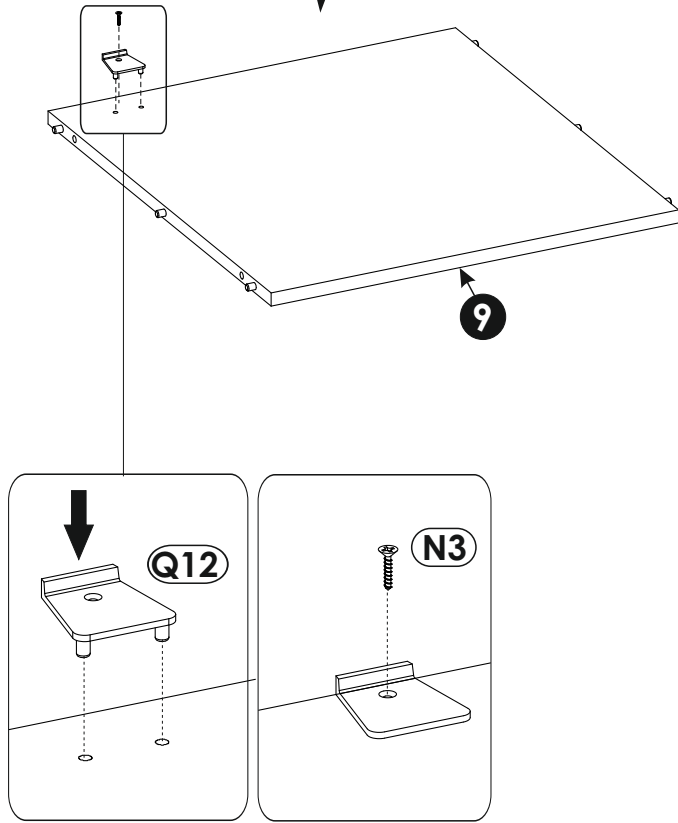
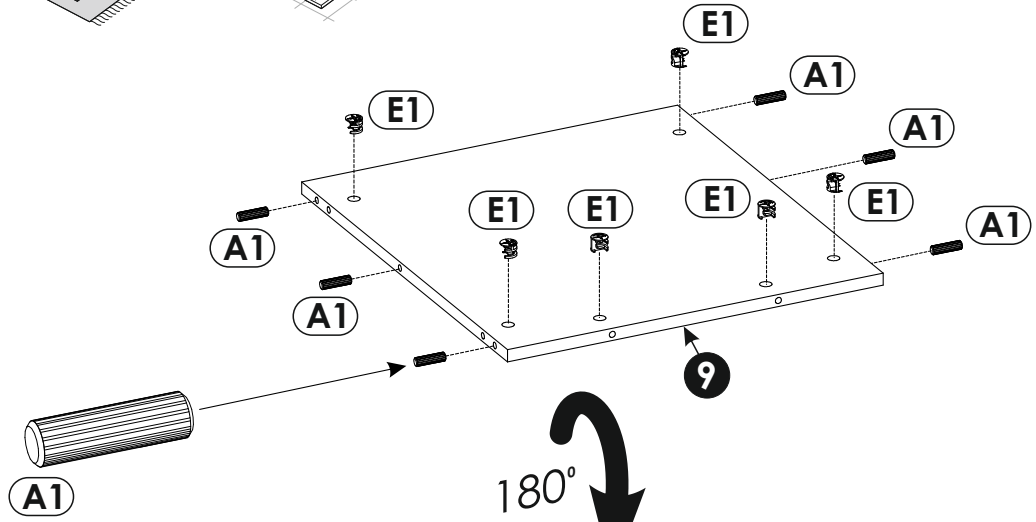
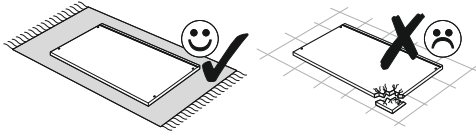
6 ▶



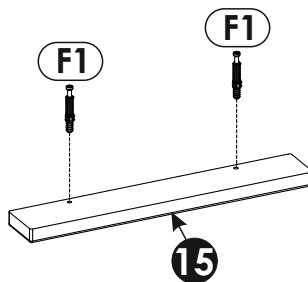
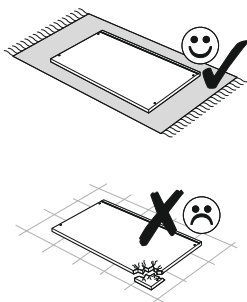
7 ▶



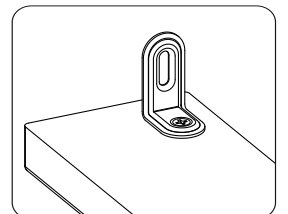
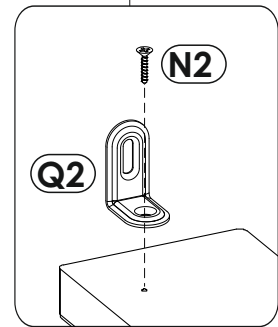
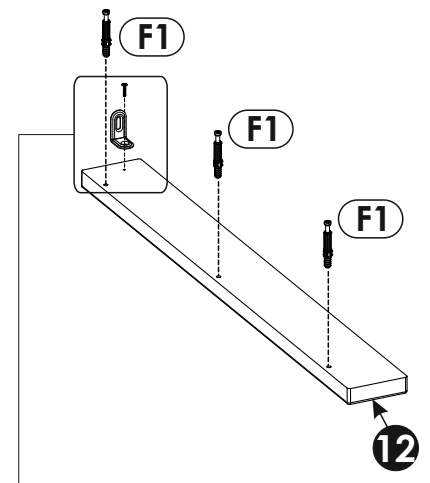
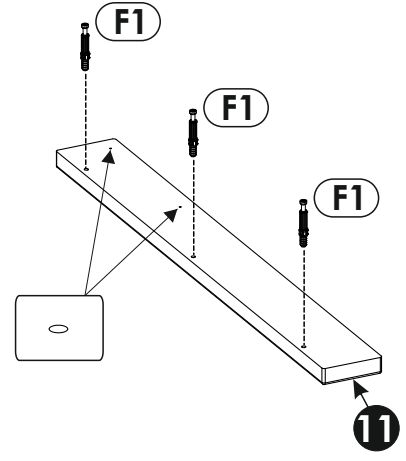
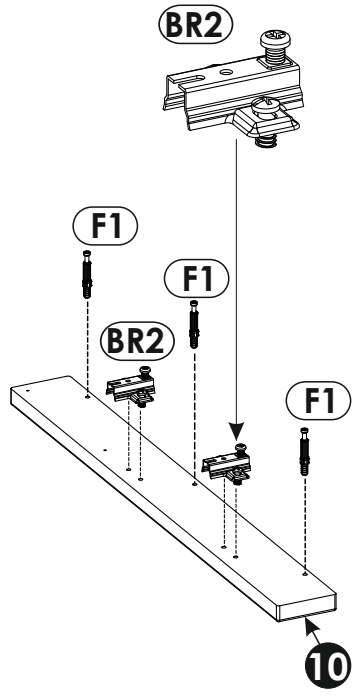
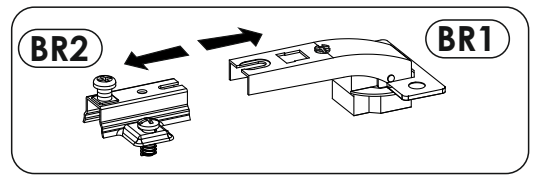
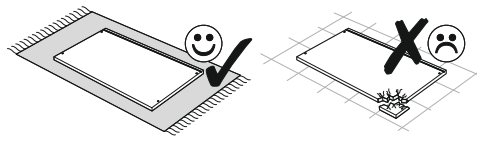
8 ▶



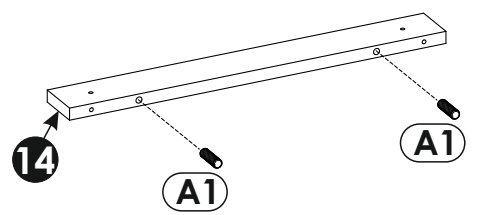
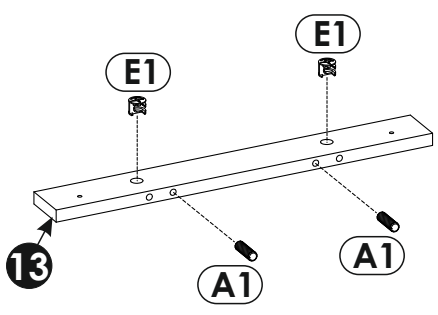
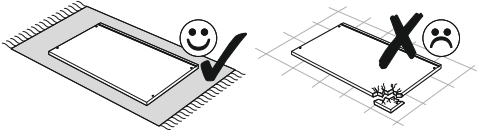
9 ▶



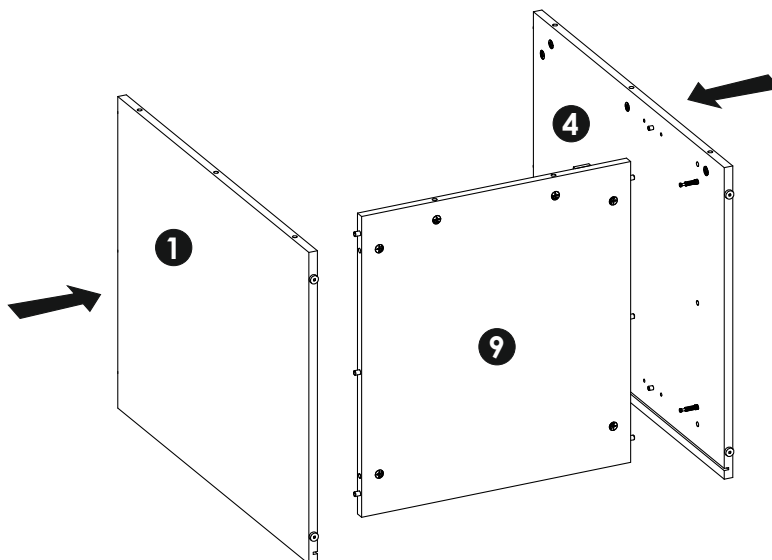
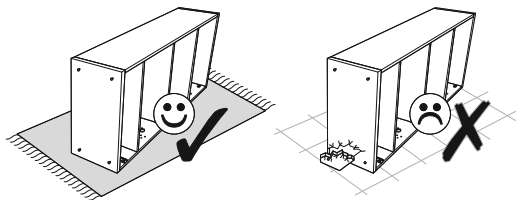
10 ▶



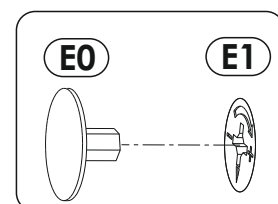
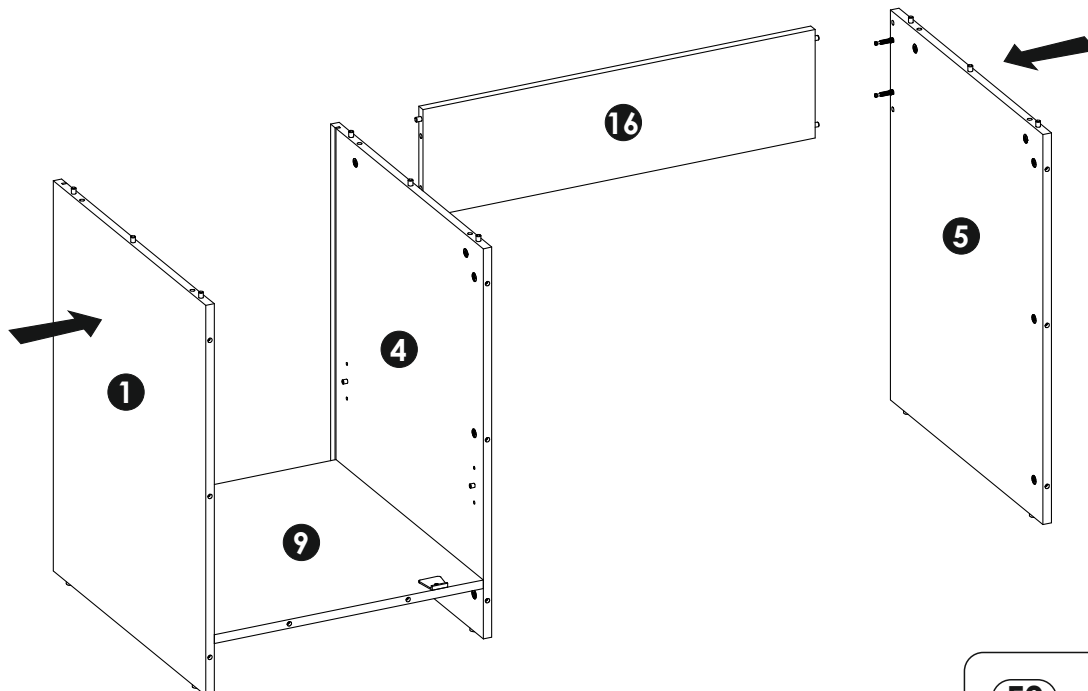
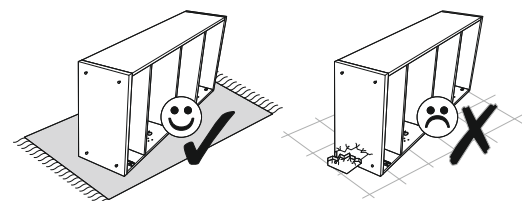
11 ▶

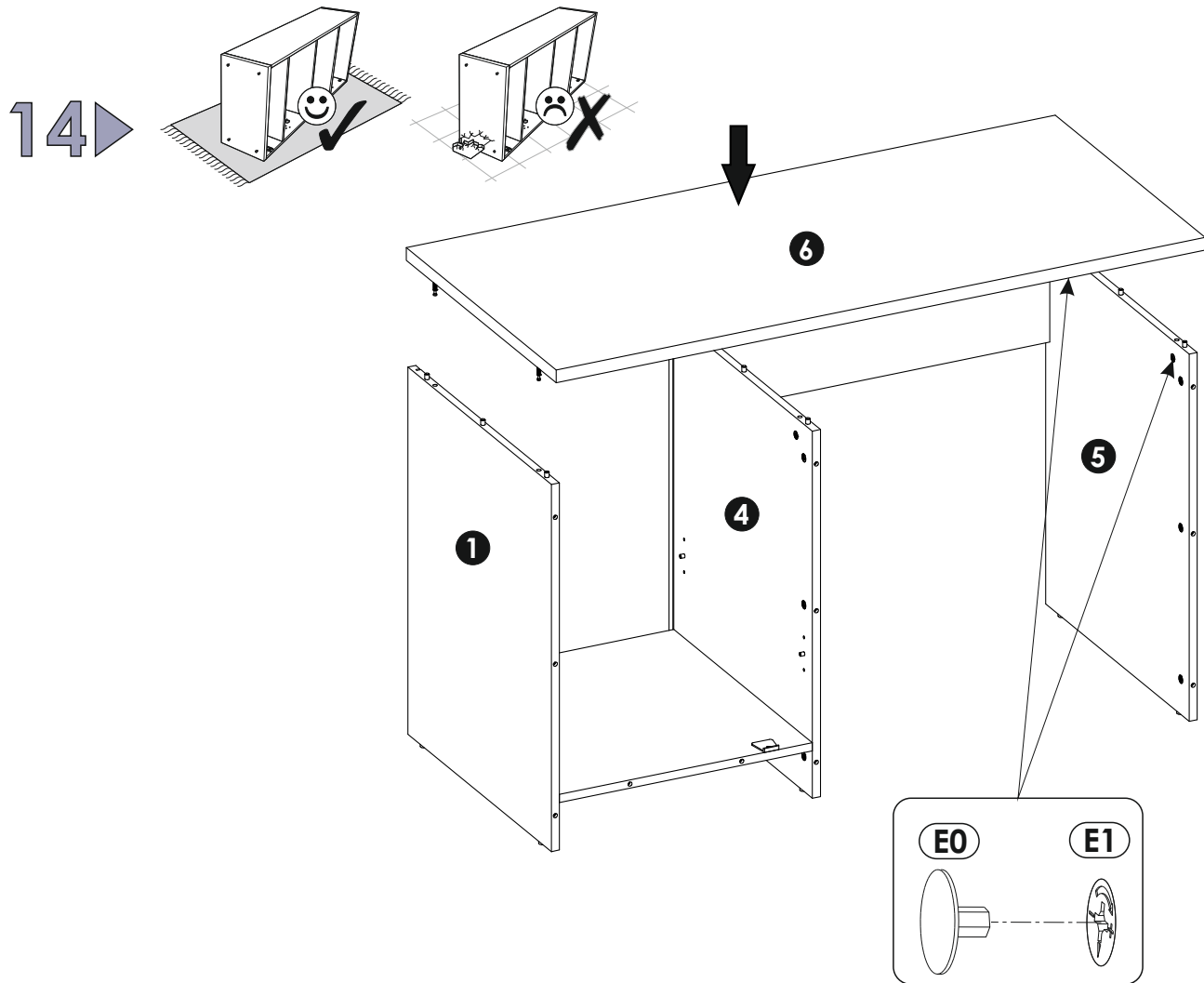


12▶

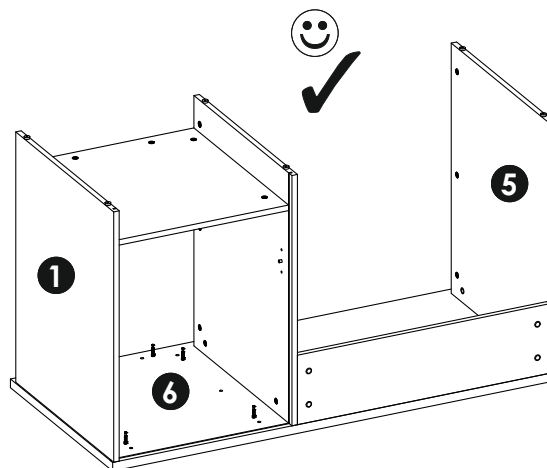
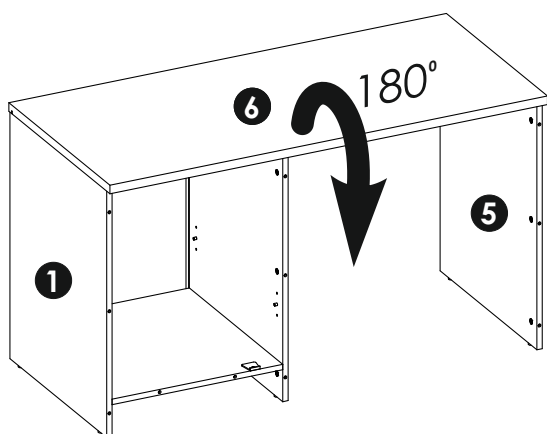
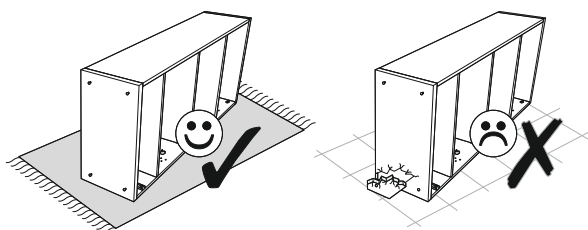


13▶

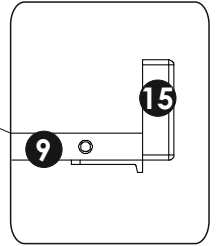
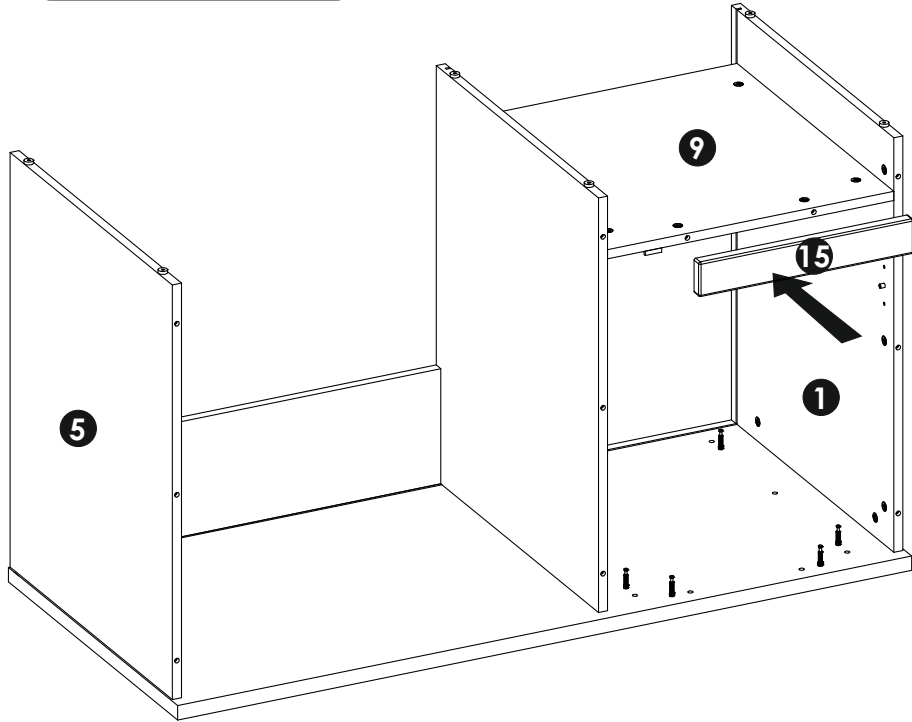
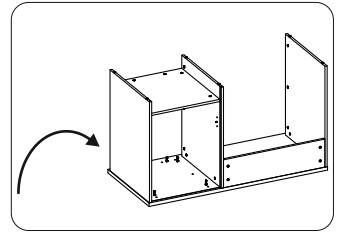
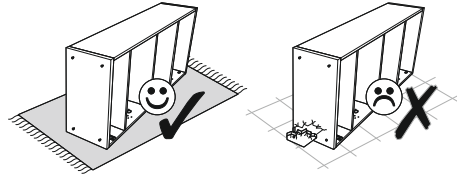
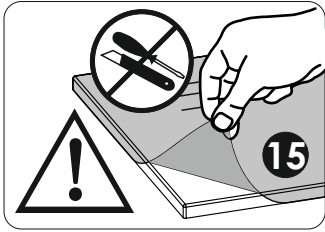




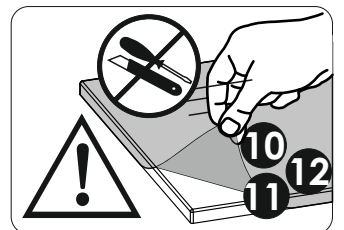
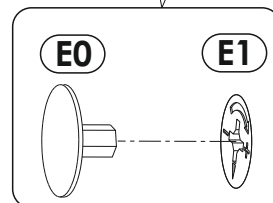
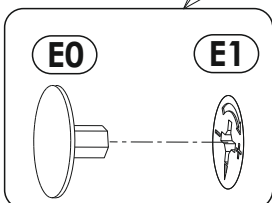
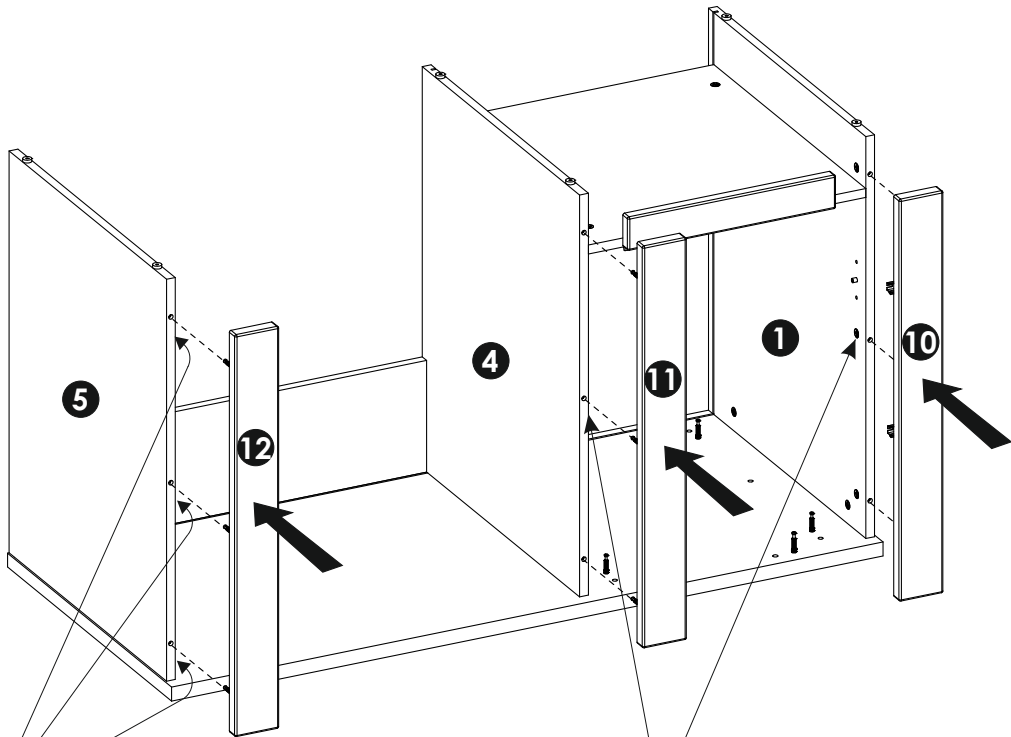
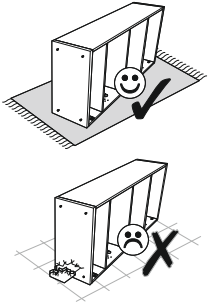
15 ▶



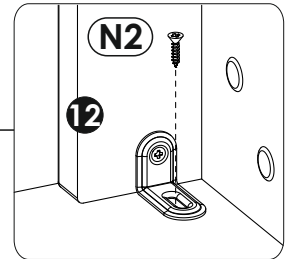
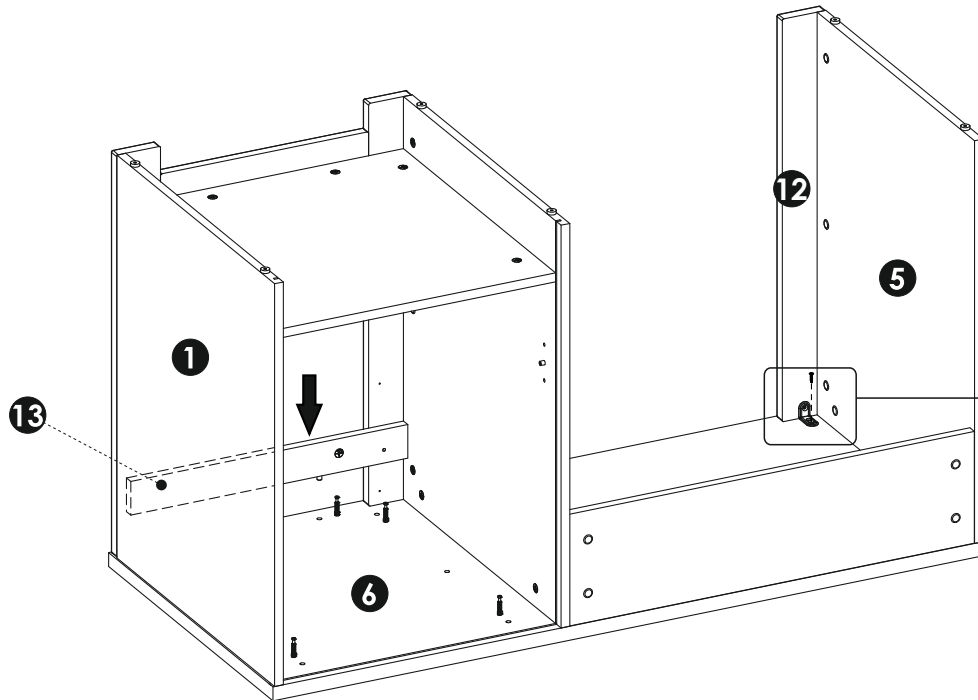
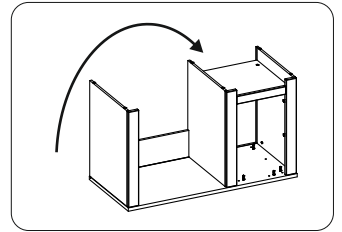
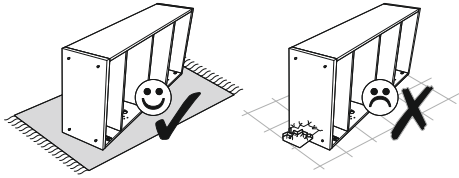
16 ▶



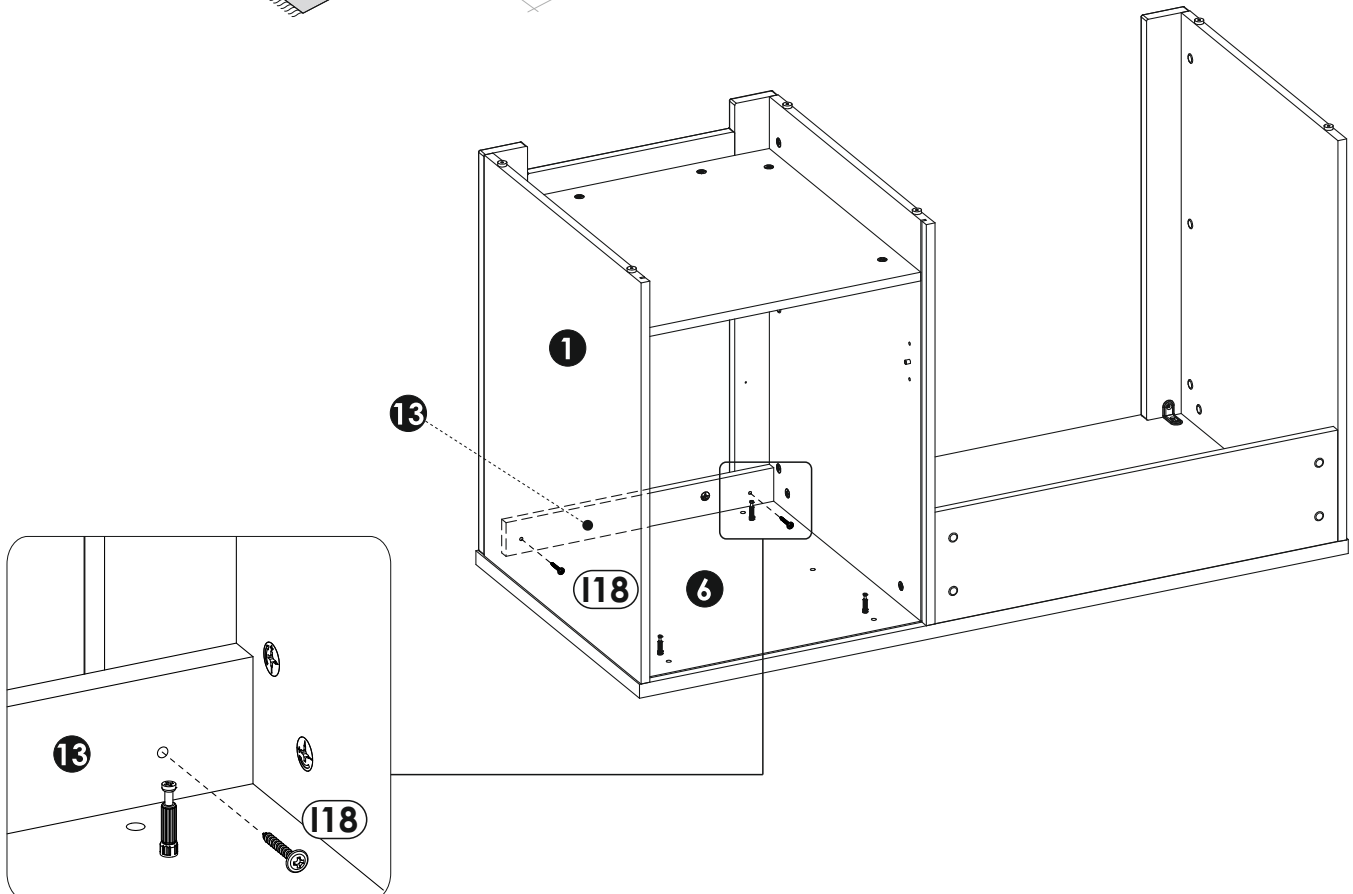
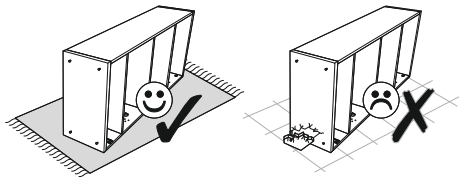
17 ▶



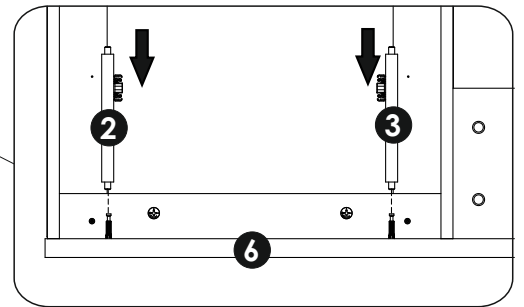
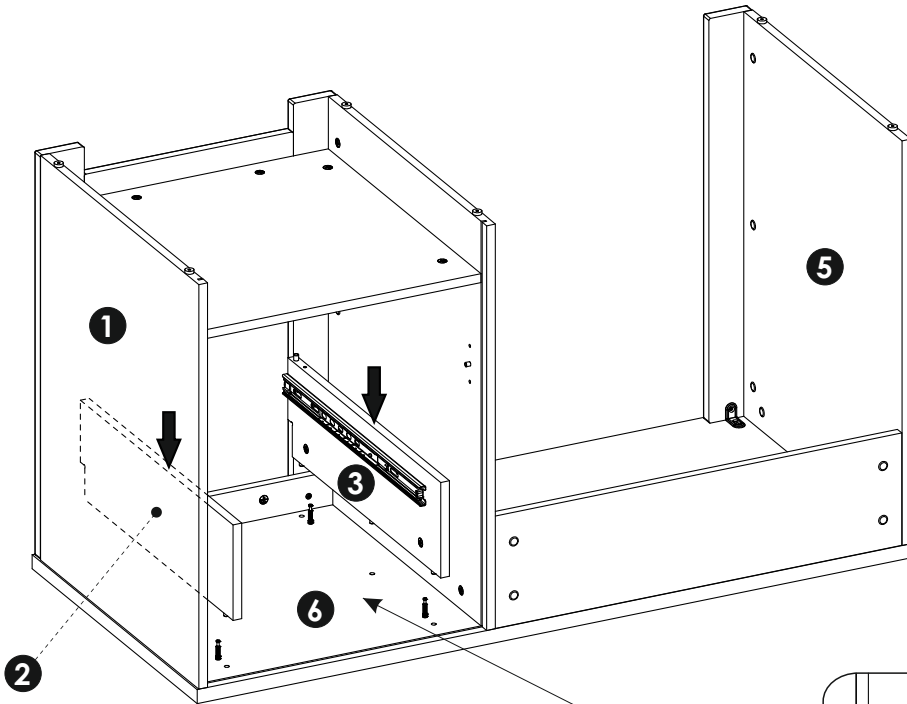
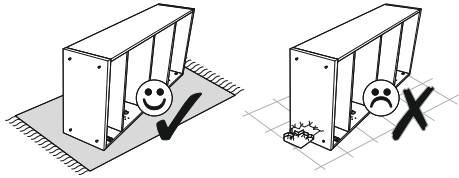
18 ▶



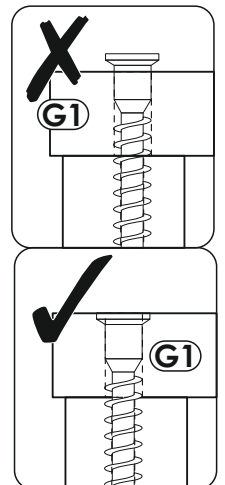
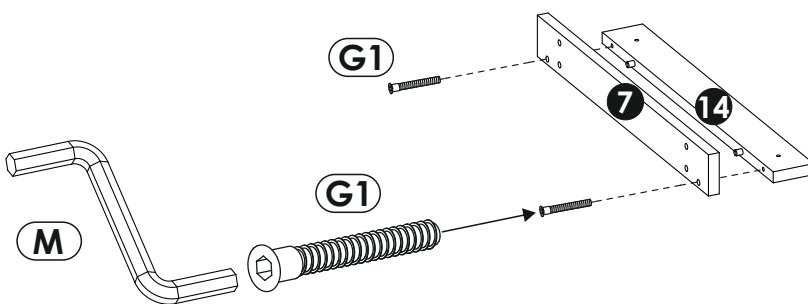
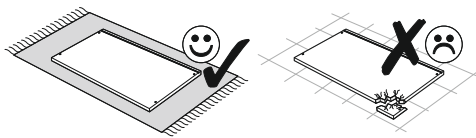
19 ▶



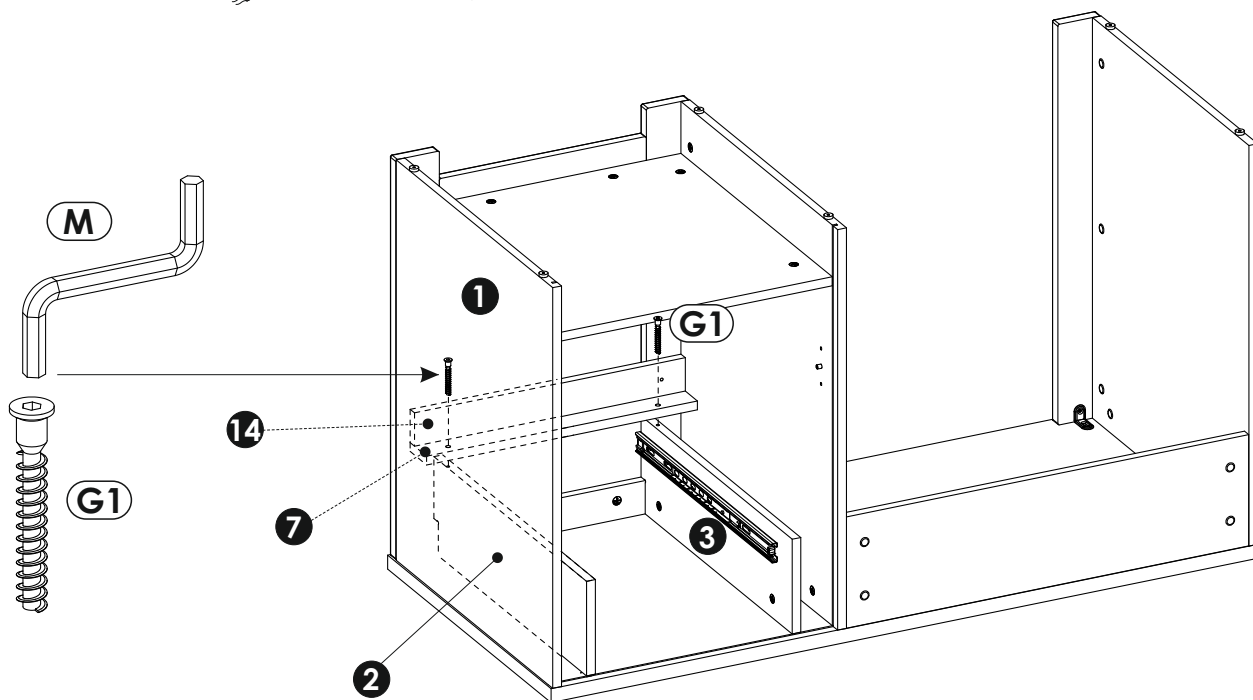
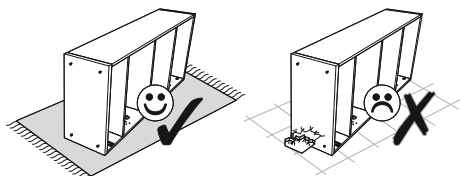
20 ▶



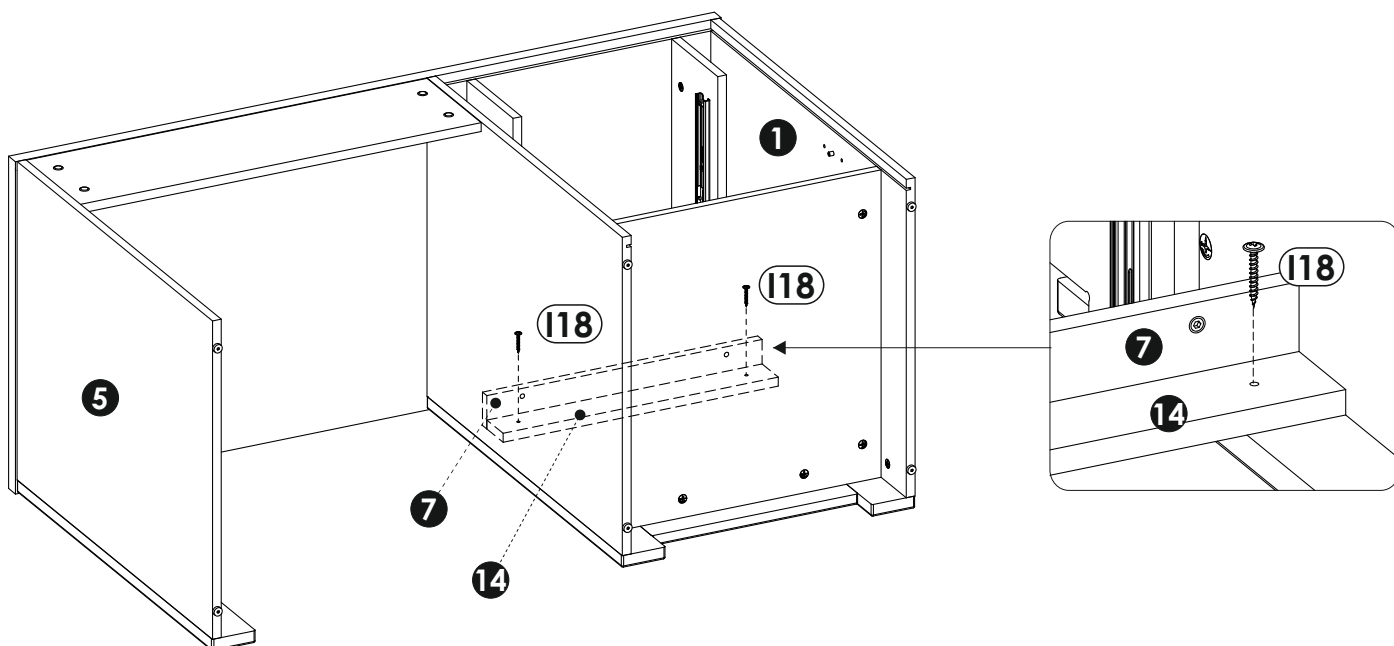
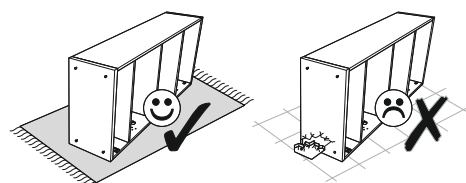
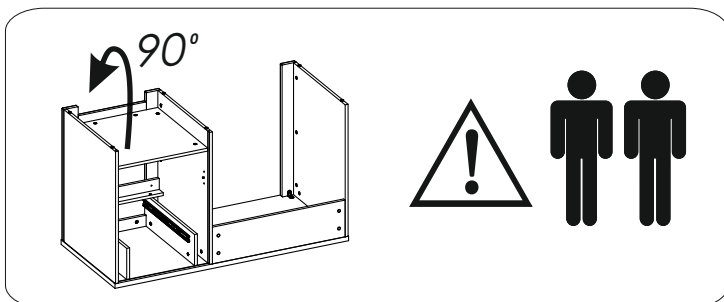
21 ▶



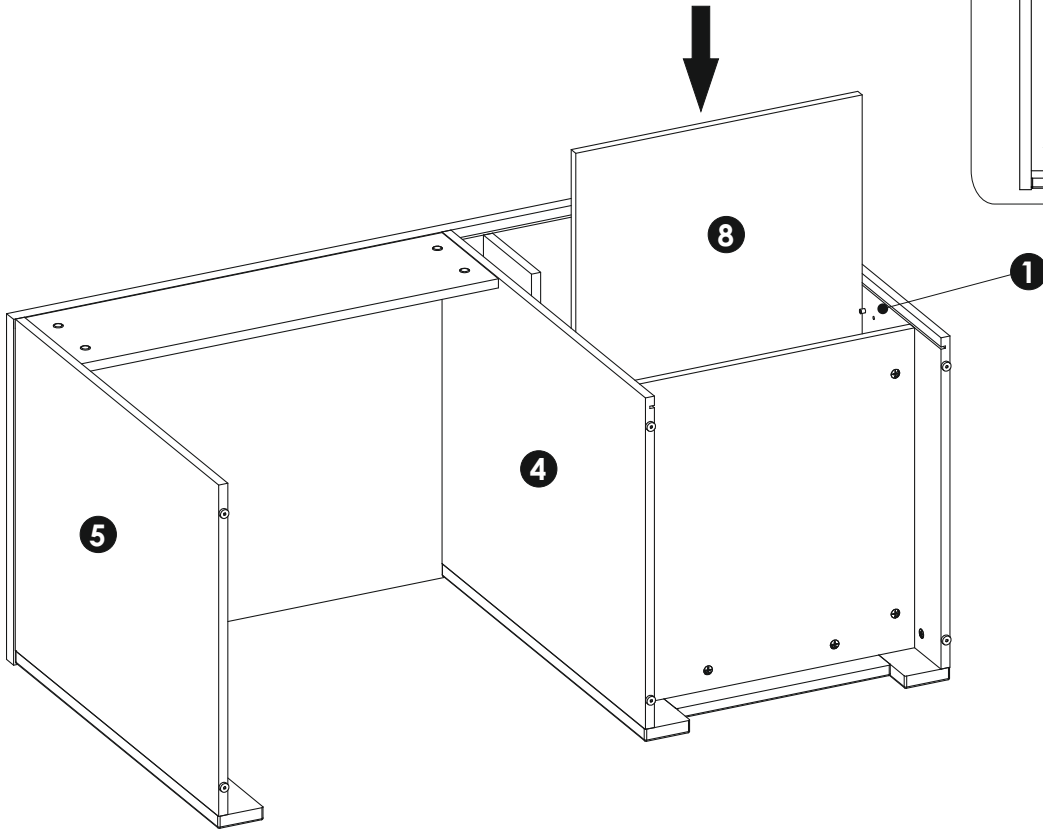
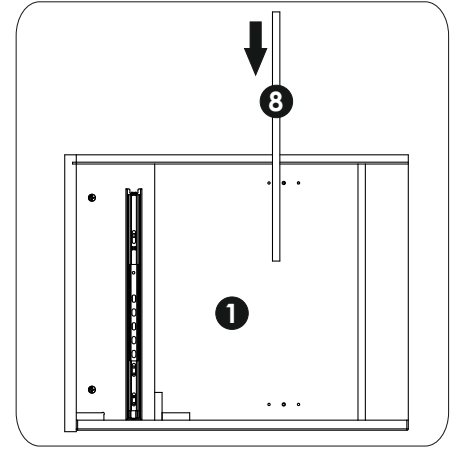
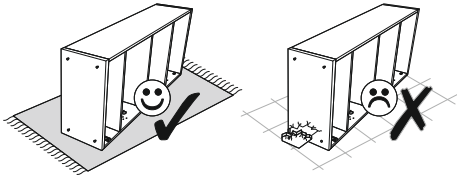
22 ▶



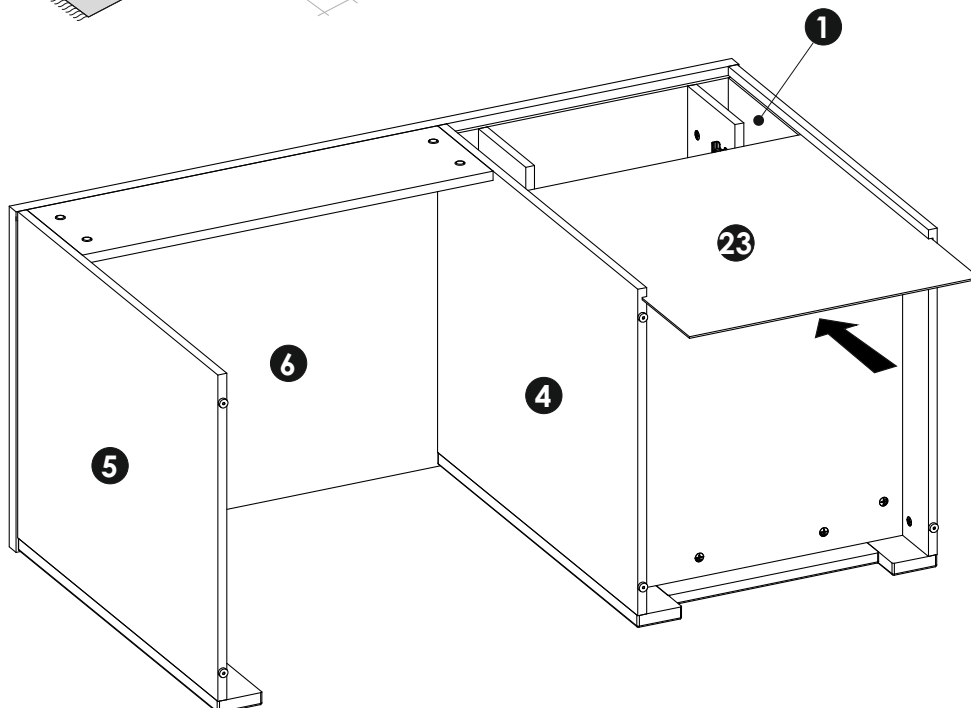
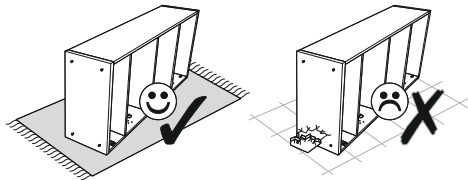
23 ▶



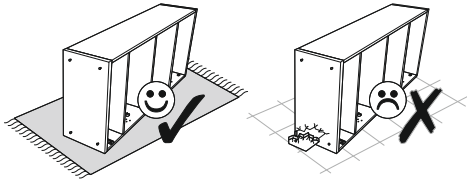
24 ▶



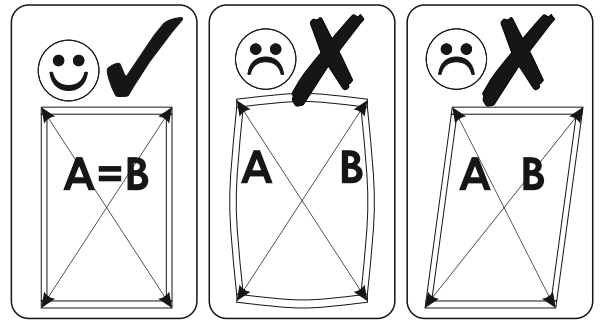
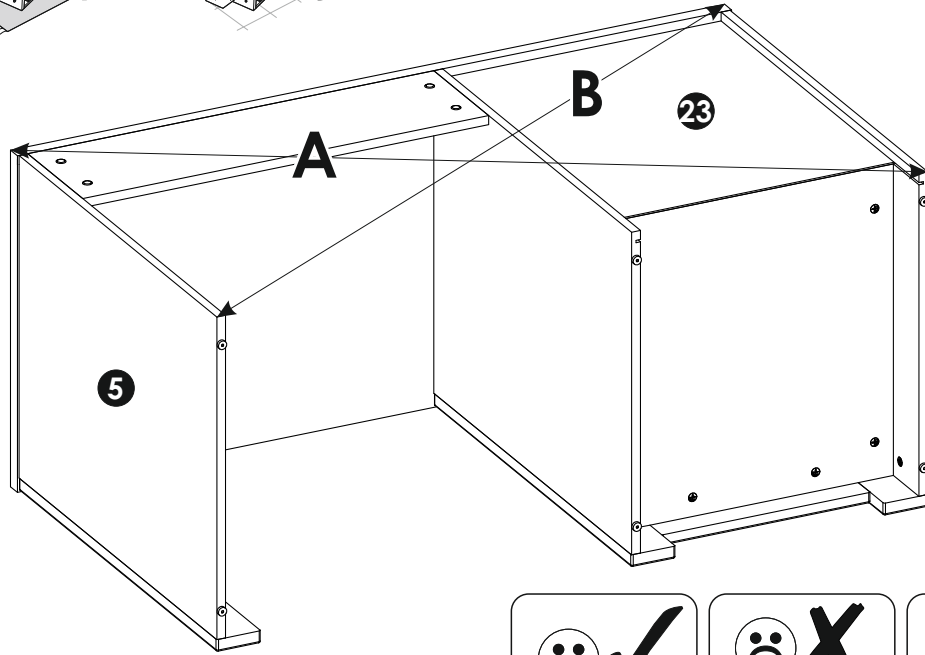
25 ▶



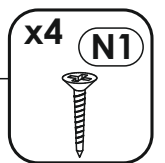
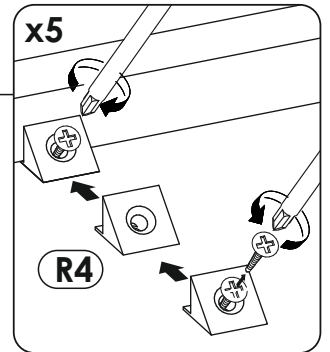
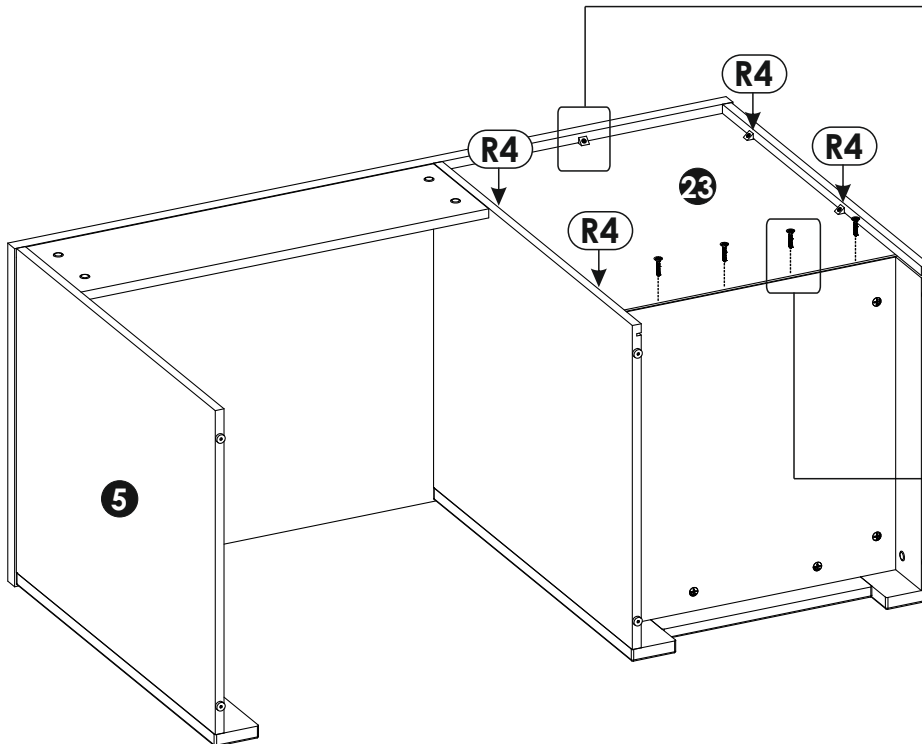
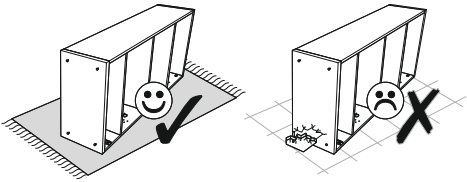
26 ▶



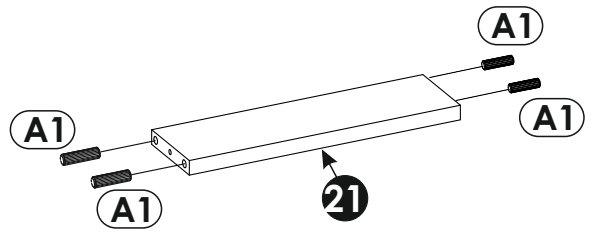
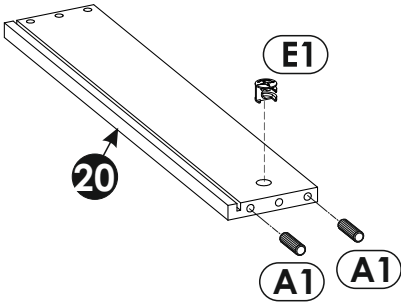
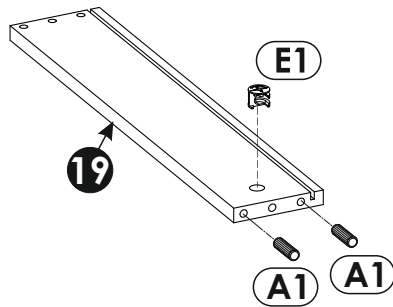
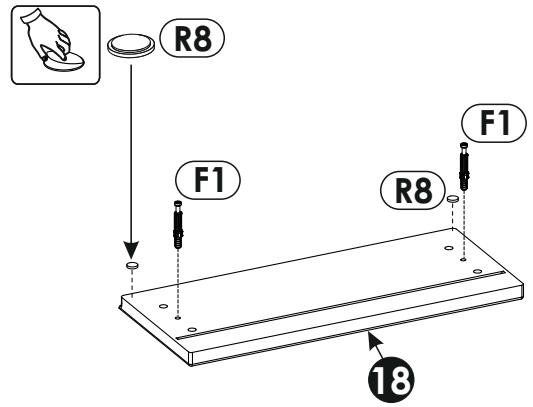
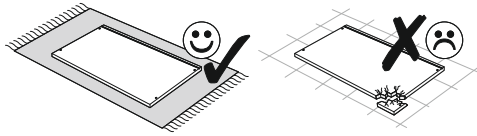
A=B



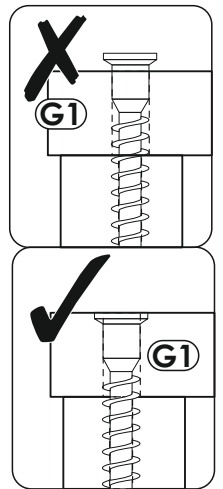
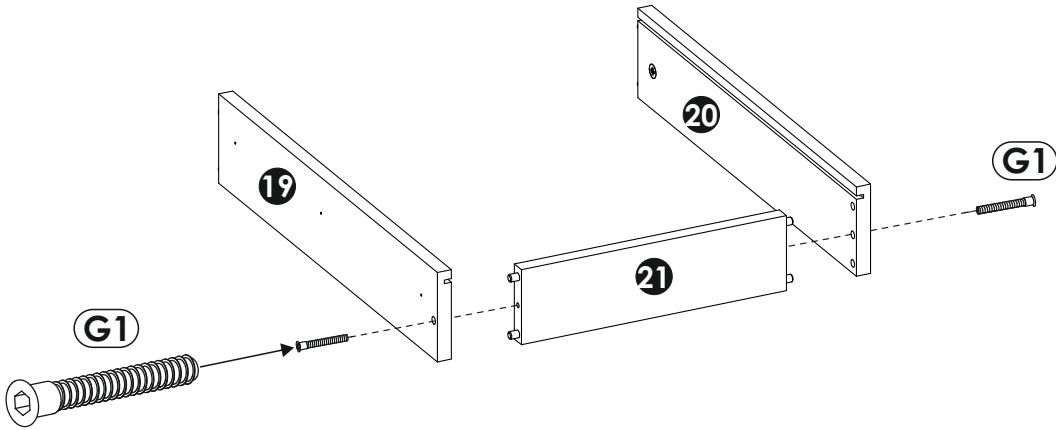
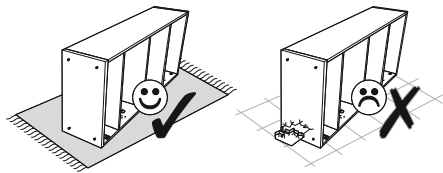
27 ▶



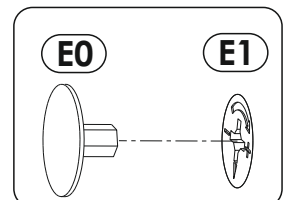
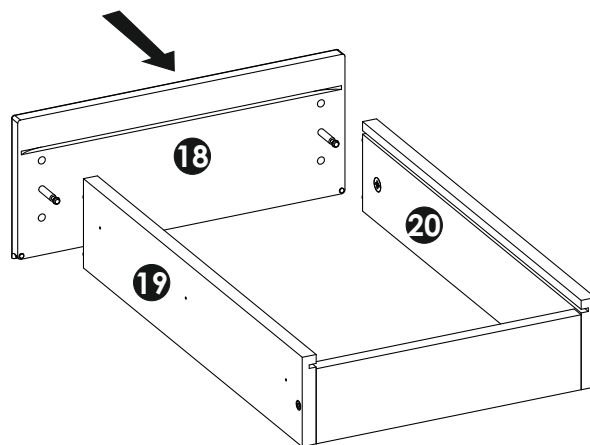
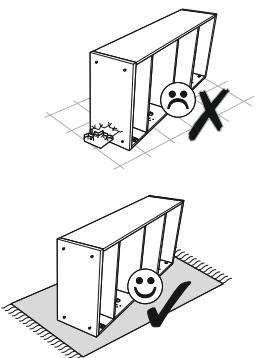
28 ▶



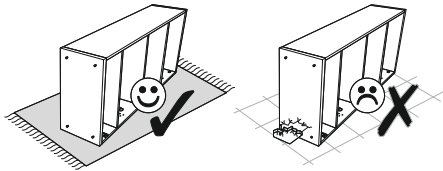
29 ▶



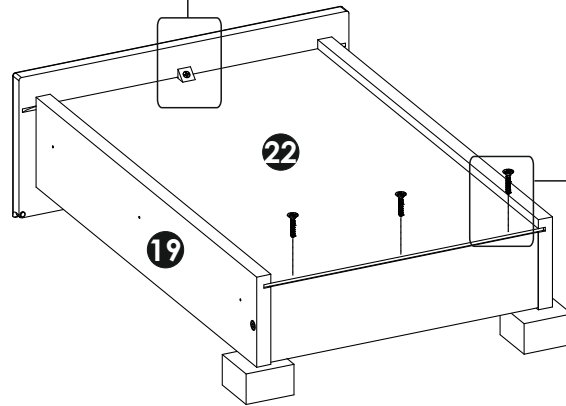
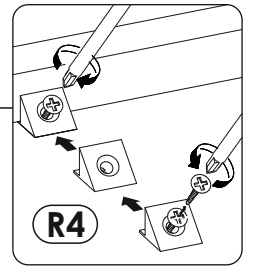
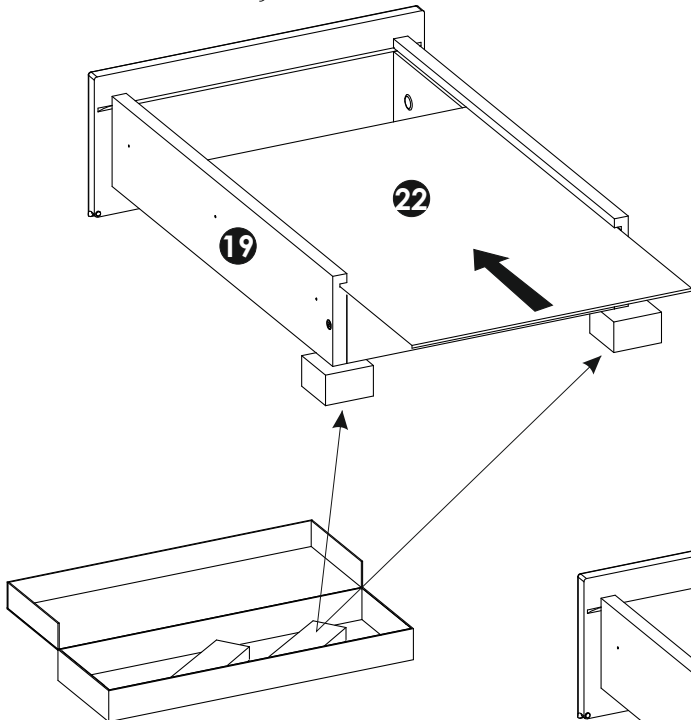
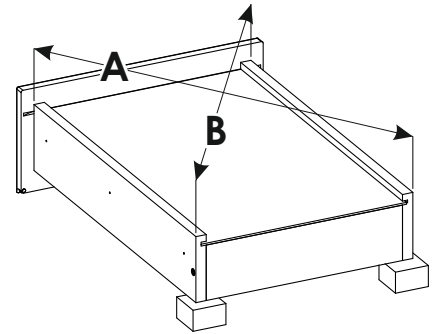
30 ▶



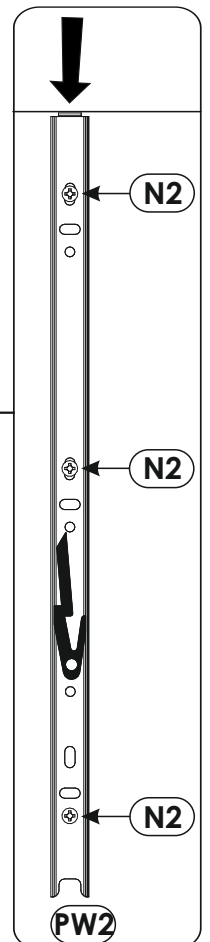
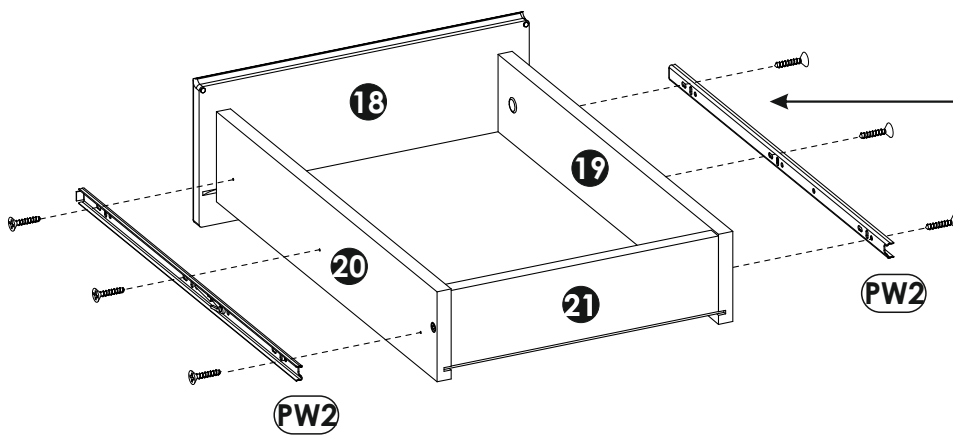
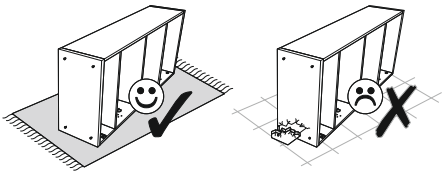
31 ▶

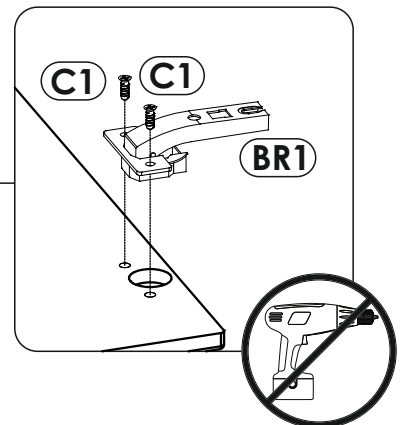
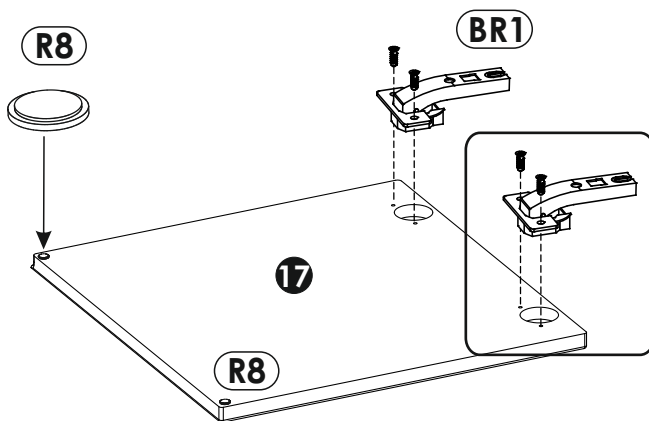
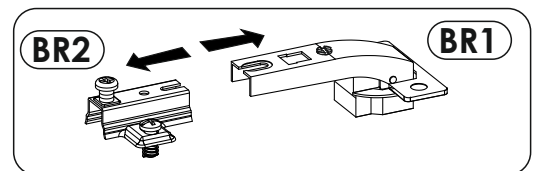
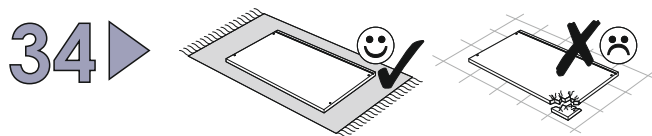
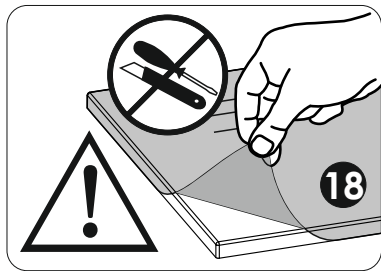
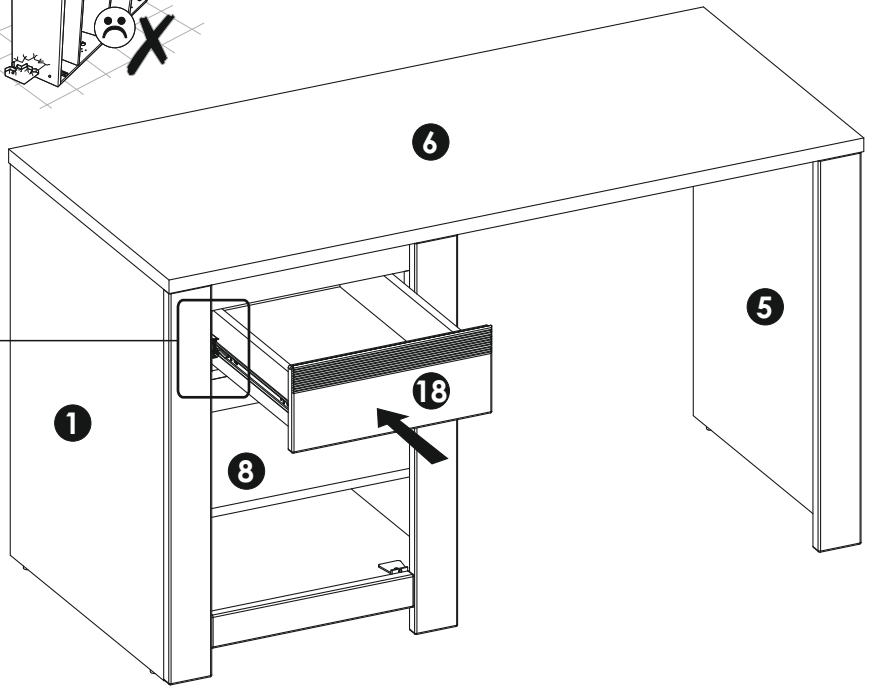
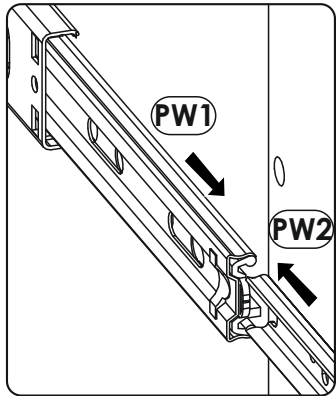
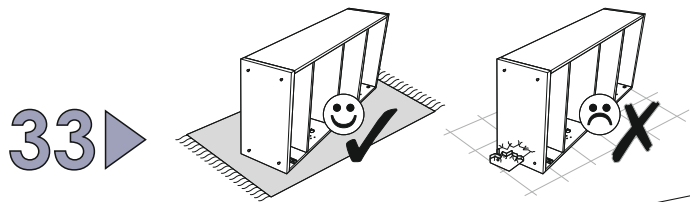


A=B



32 ▶





35 ▶

