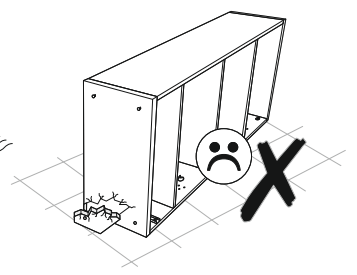
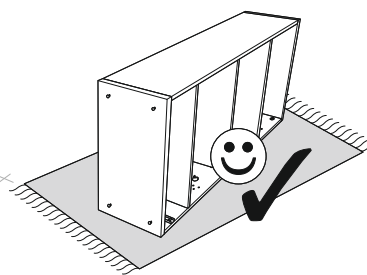
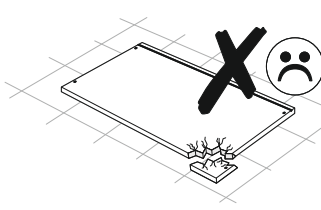
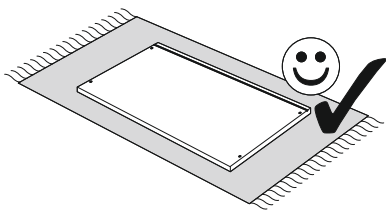
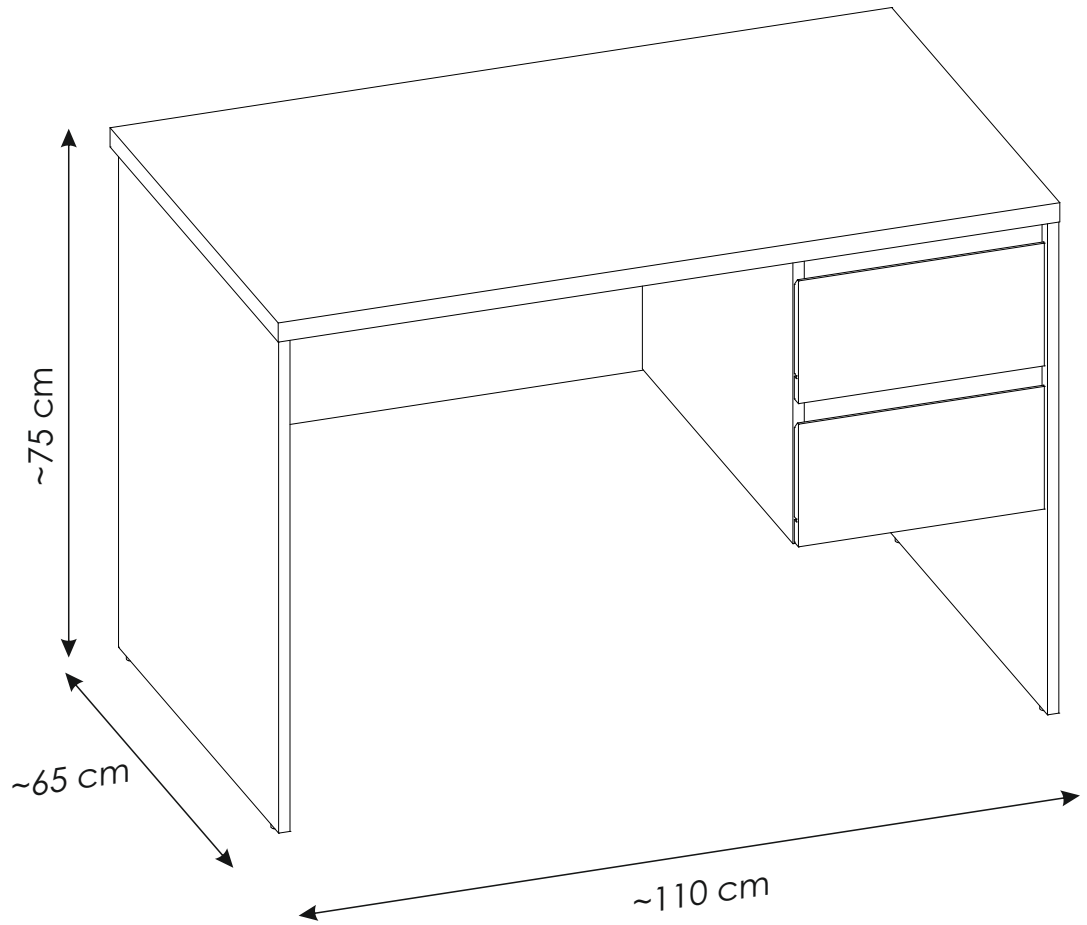
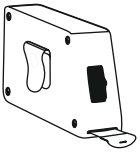
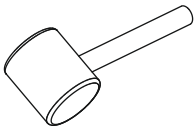
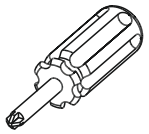
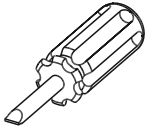
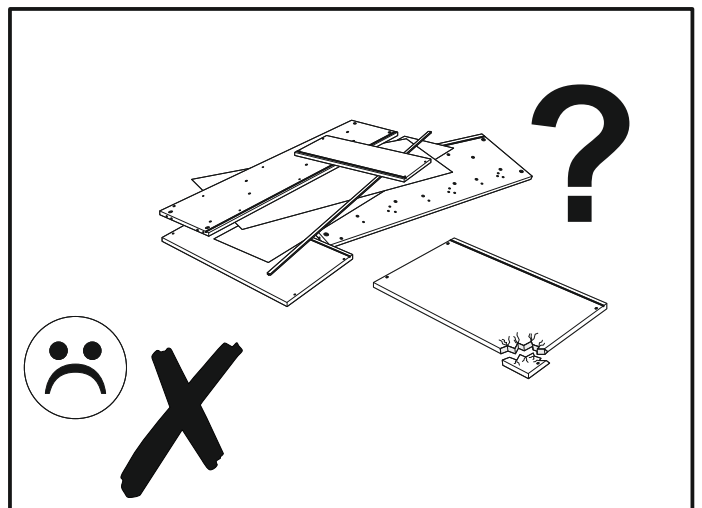
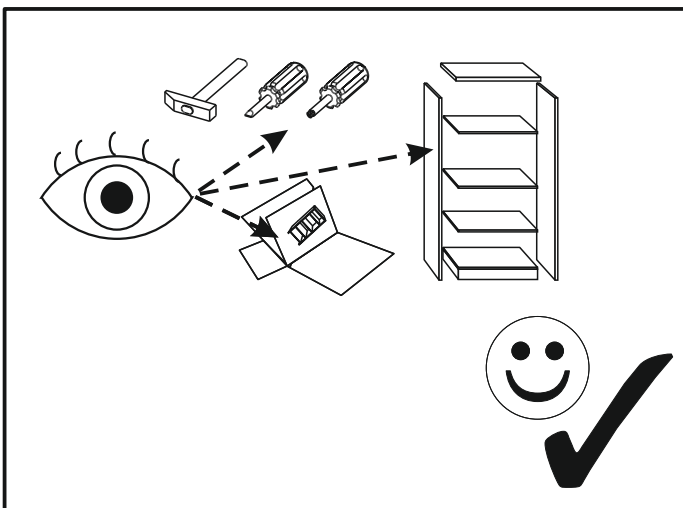
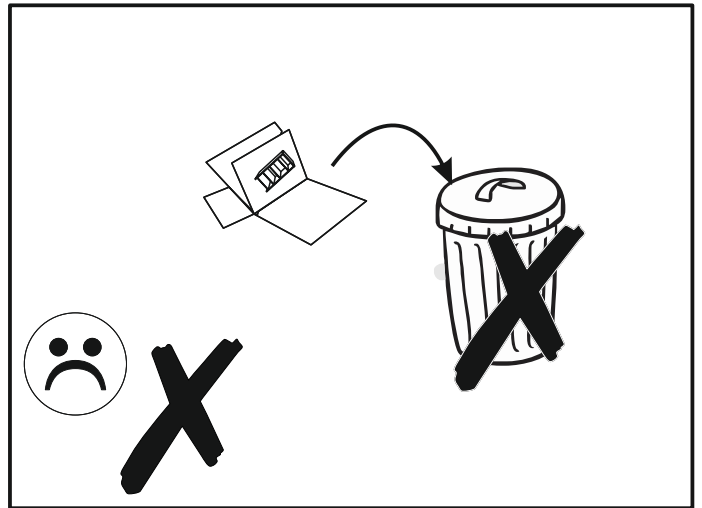
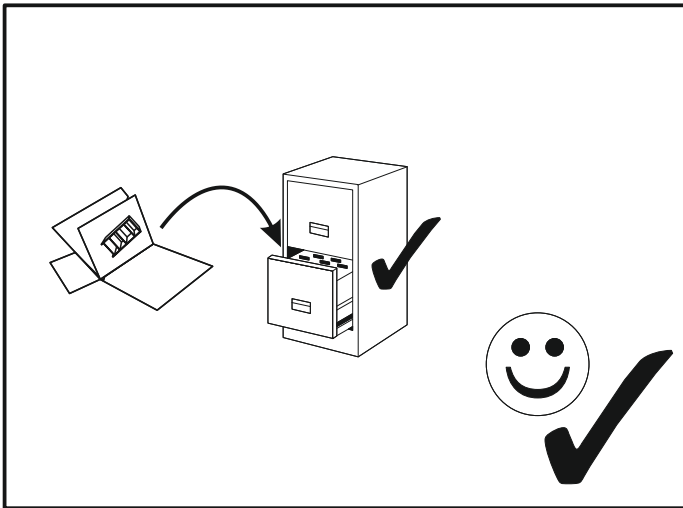
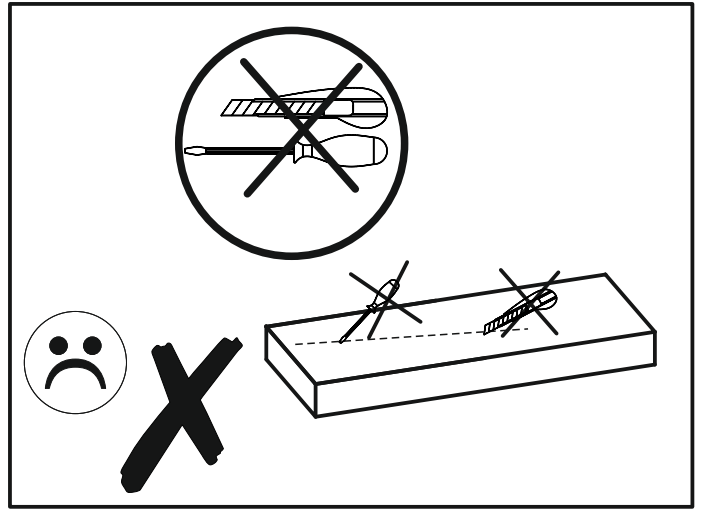
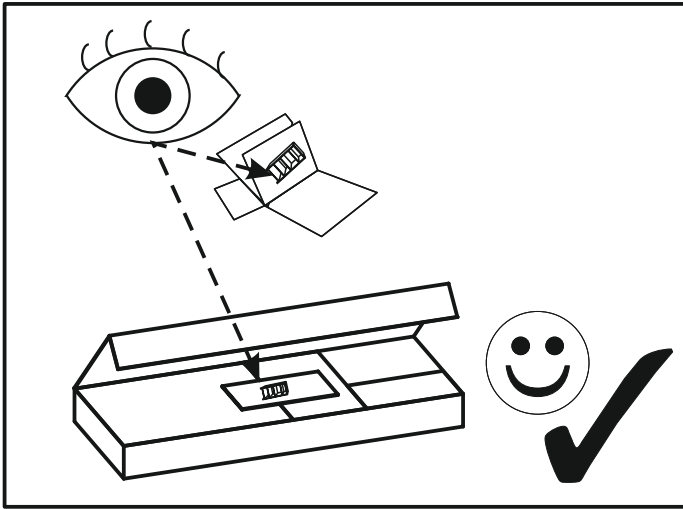
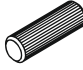

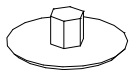

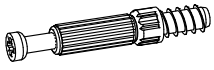
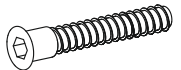
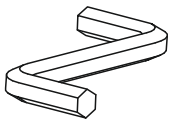
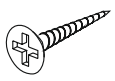
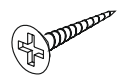

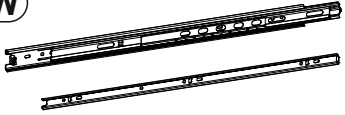
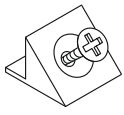
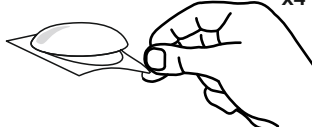


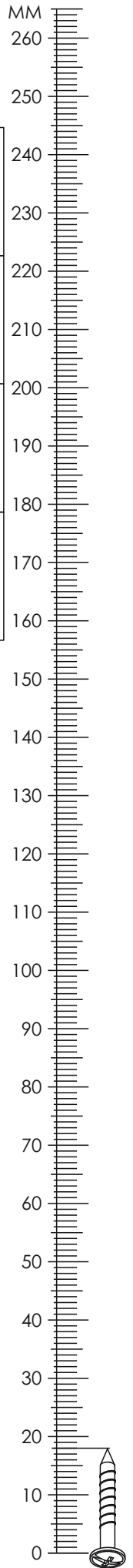


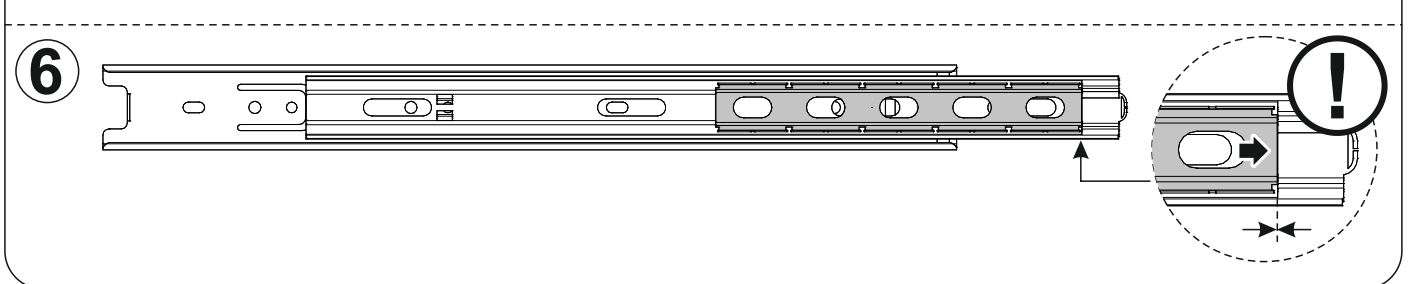
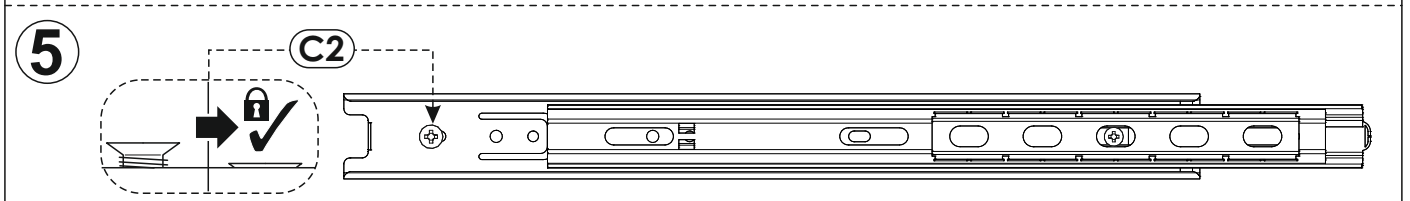
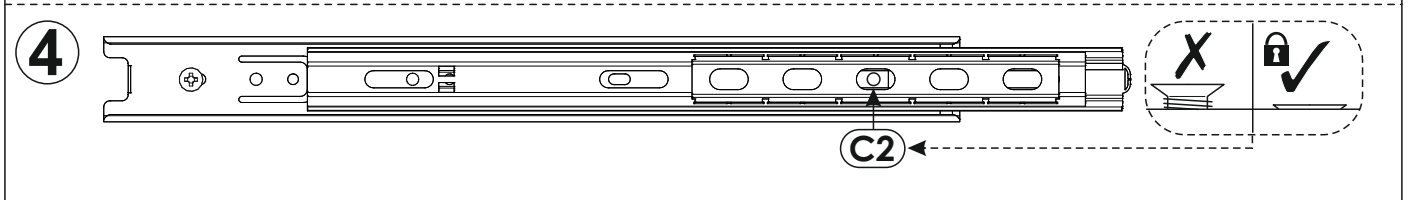
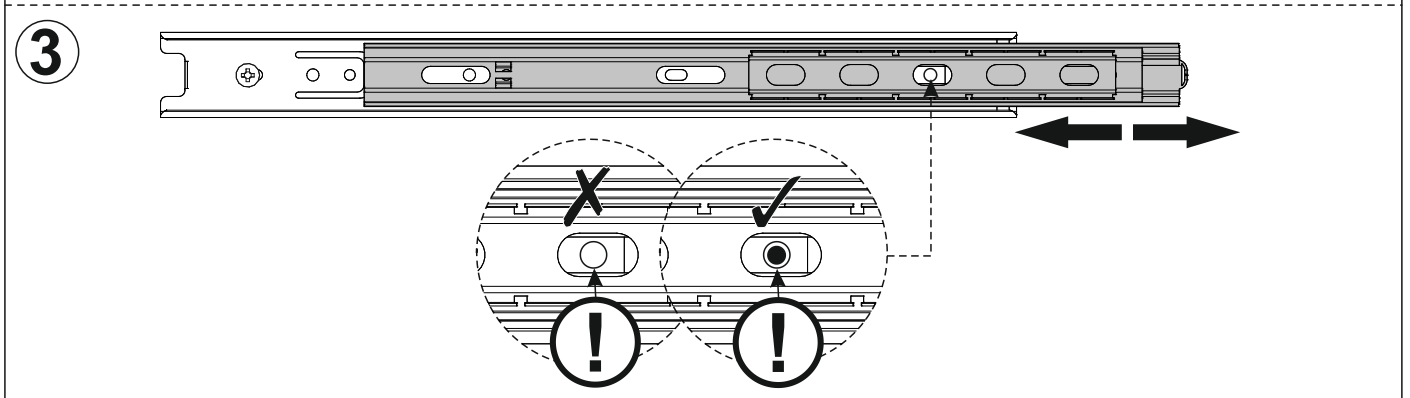
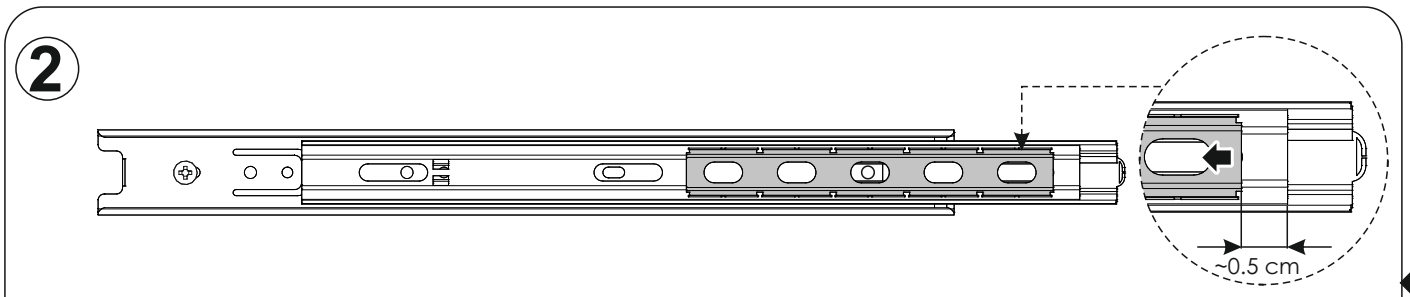
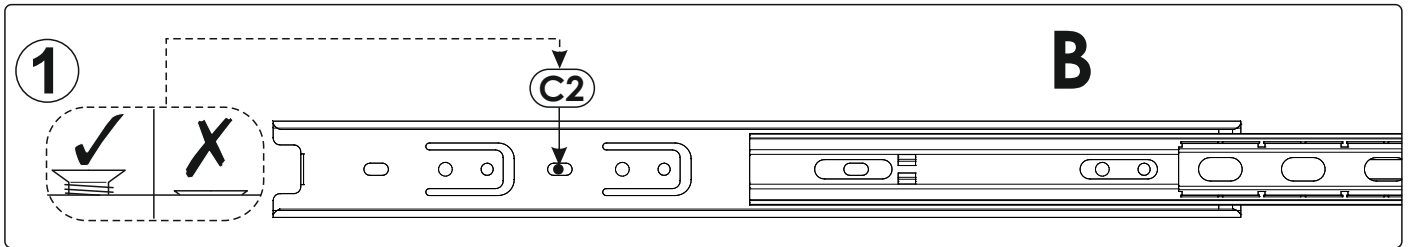
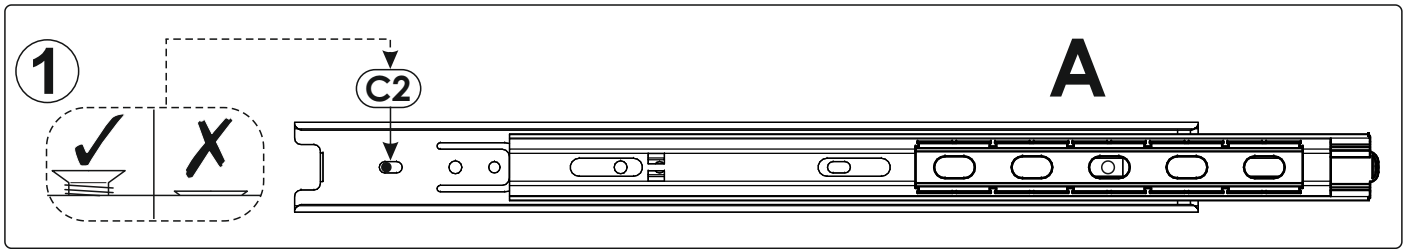
80 min

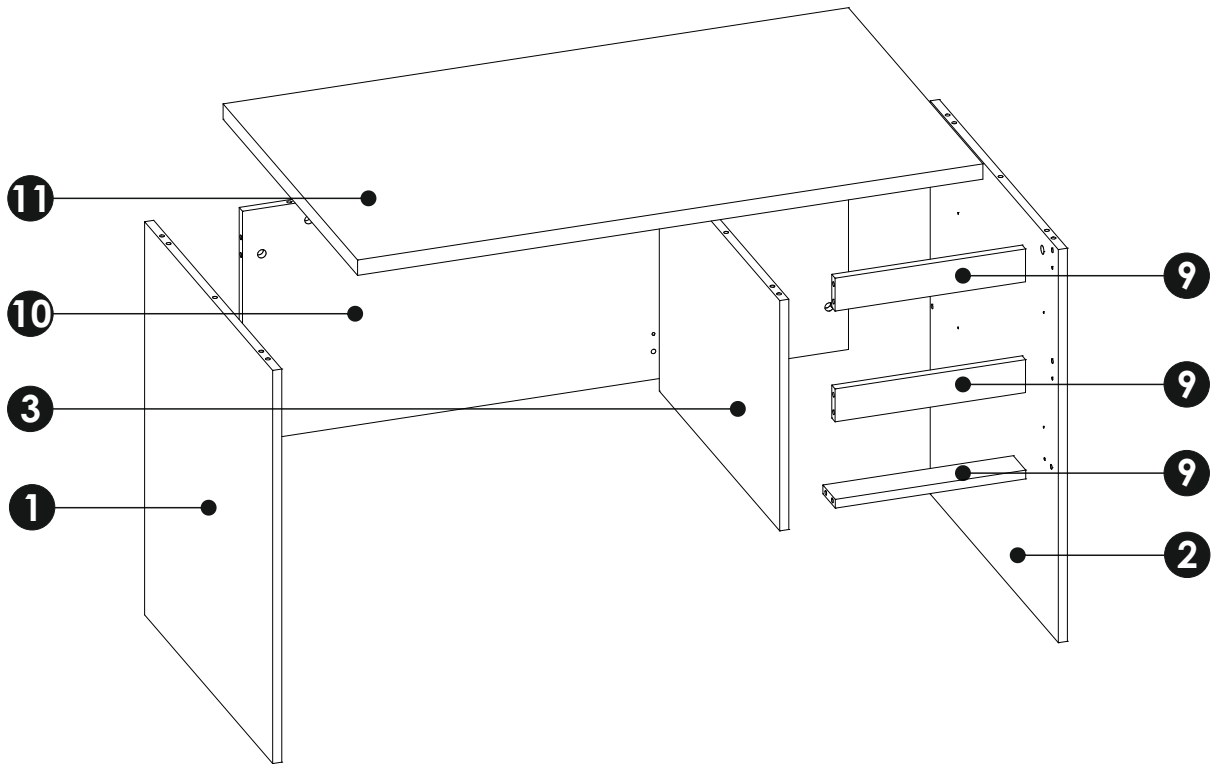
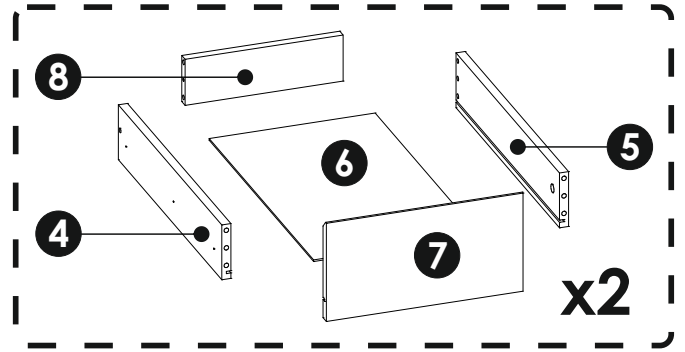
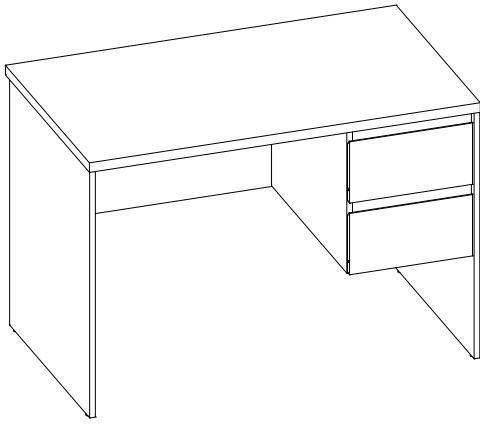




A1 8 x 35 mm x40 	C2 5 x 13 mm x8 	E0 Ø16 x10 
E1 15 x 12 mm x25 	F1 6 x 34 mm x25 	G1 7 x 50 mm x4 
M x1 	N1 3 X 16 mm x10 	N2 3,5 X 16mm x12 
O2 x4 	PW x4 	R4 x2 
R8 x4 		

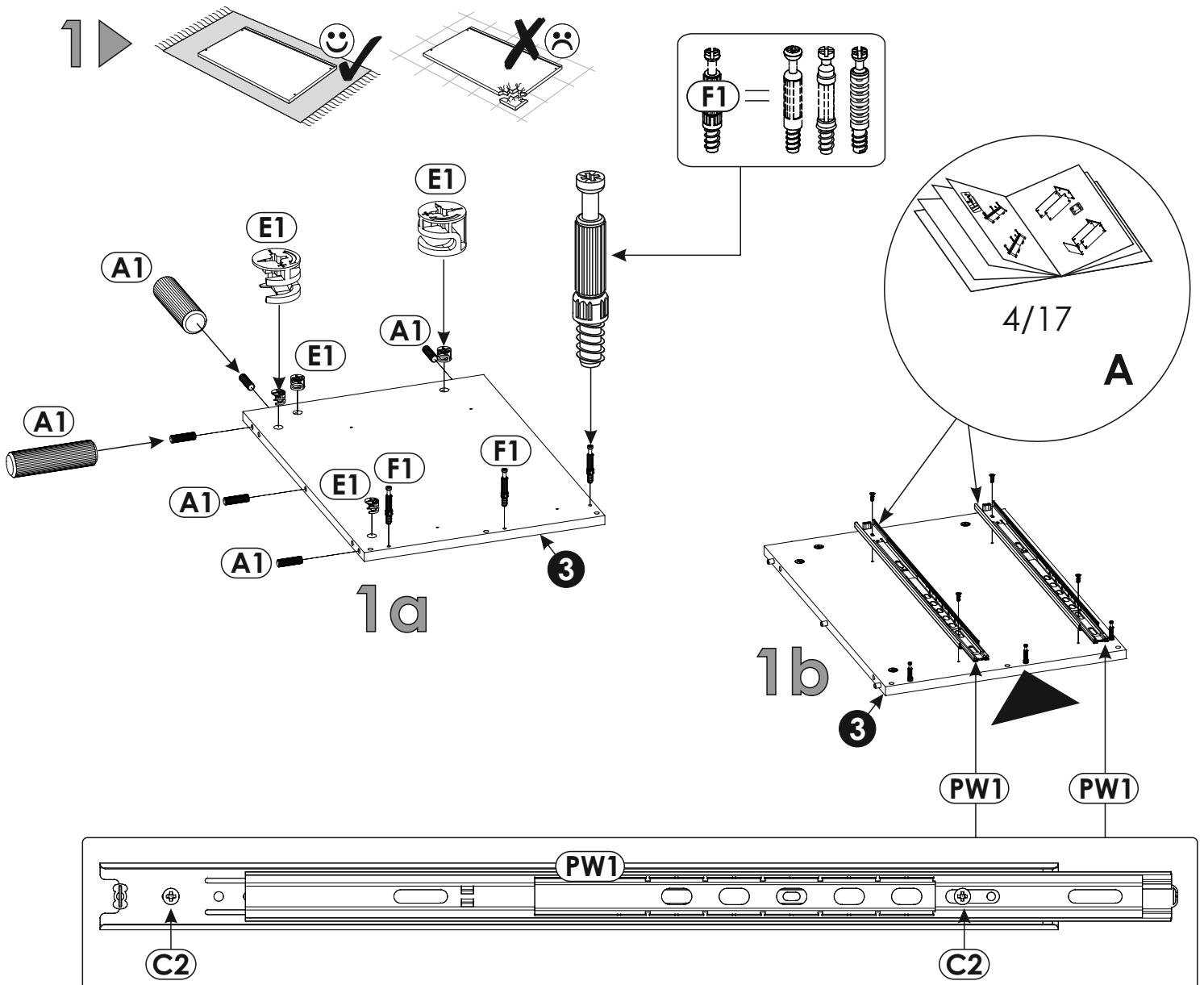
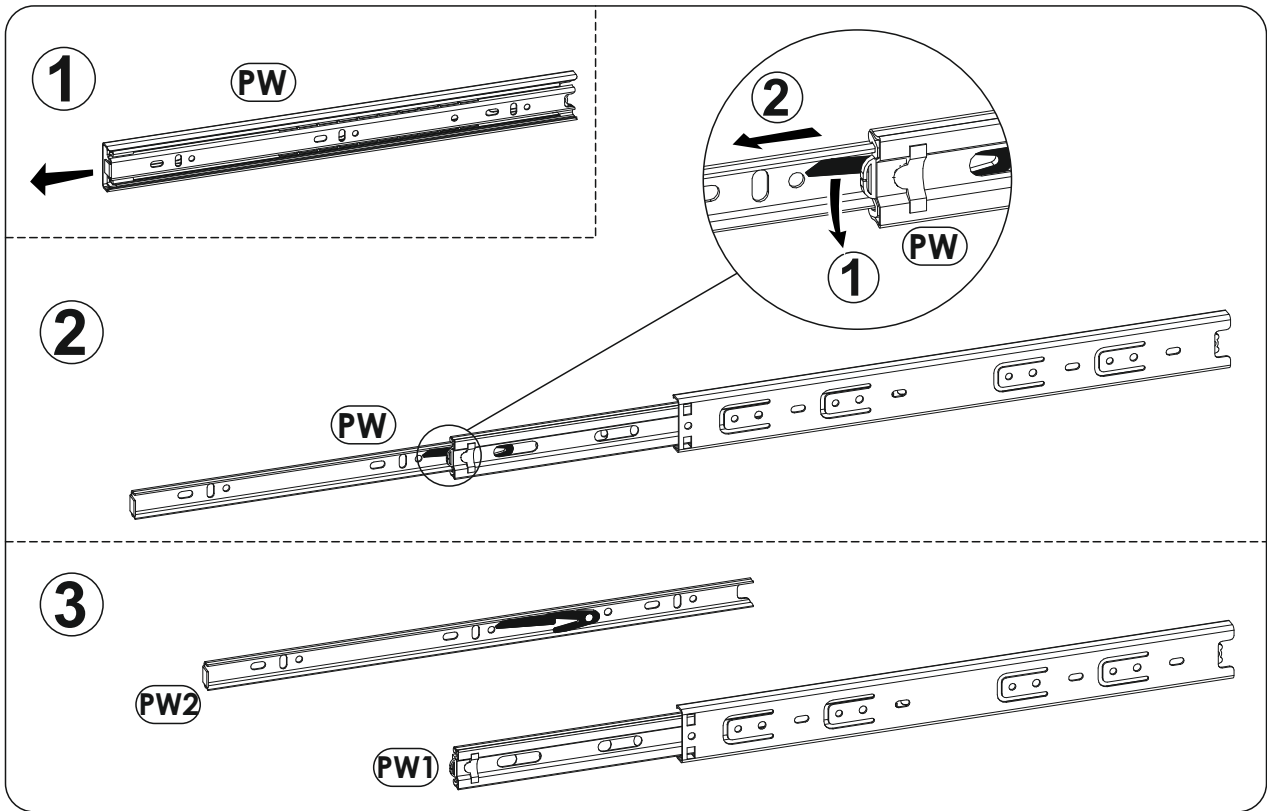


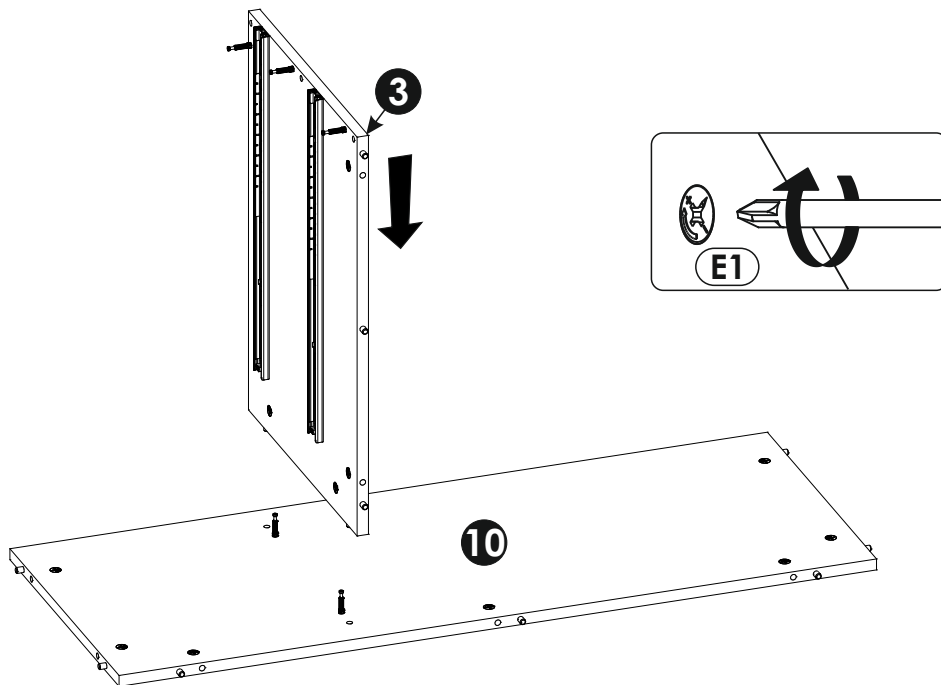
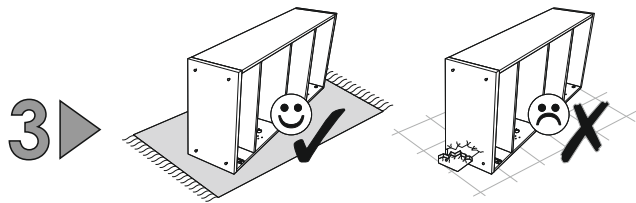
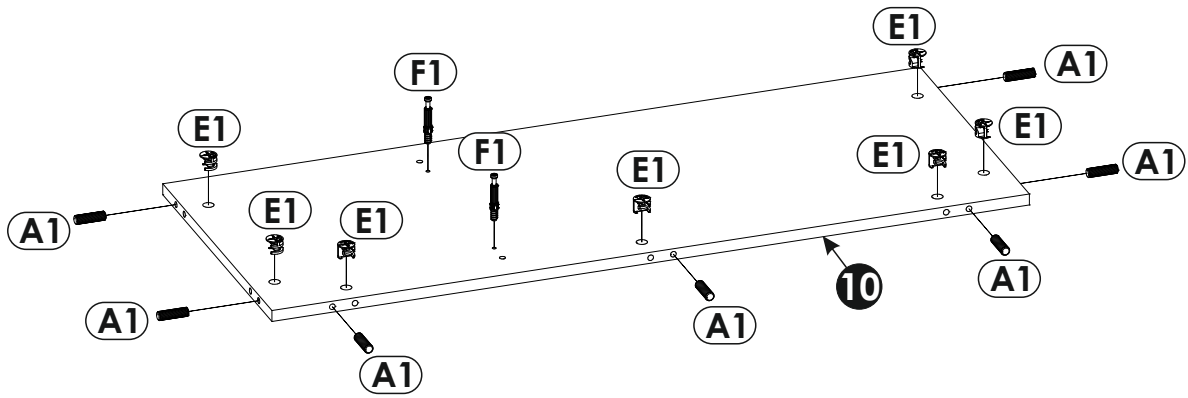
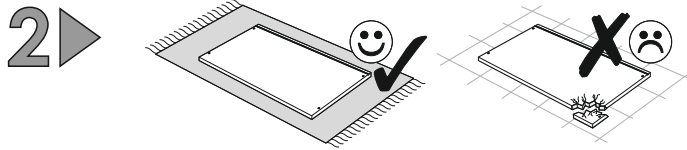
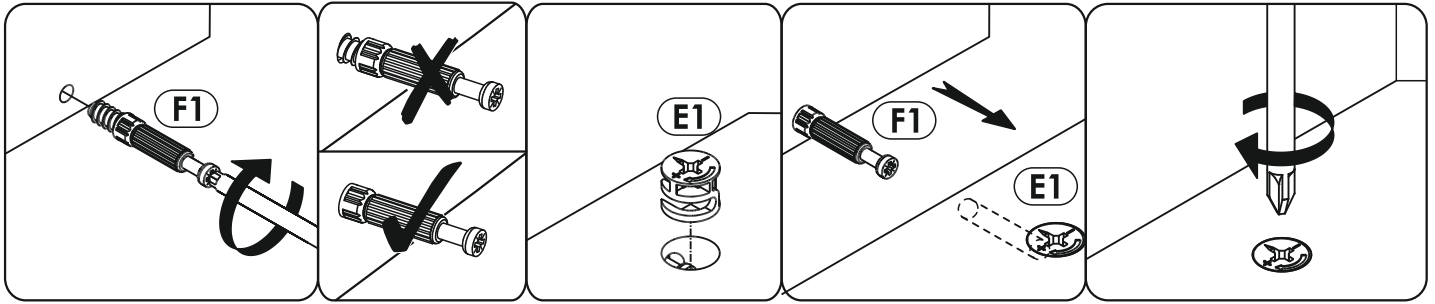




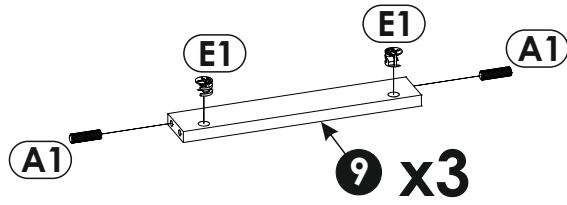
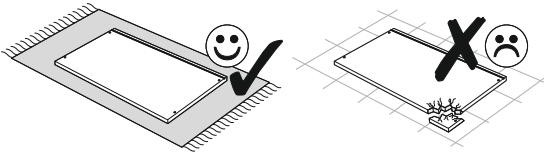
1	717	619	16	x1	1/2
2	717	619	16	x1	1/2
3	420	582	16	x1	1/2
4	500	100	16	x2	1/2
5	500	100	16	x2	1/2
6	292	505	3	x2	1/2

7	346	179	16	x2	1/2
8	278	84	16	x2	1/2
9	335	60	16	x3	1/2
10	1066	422	16	x1	2/2
11	1100	650	28	x1	2/2

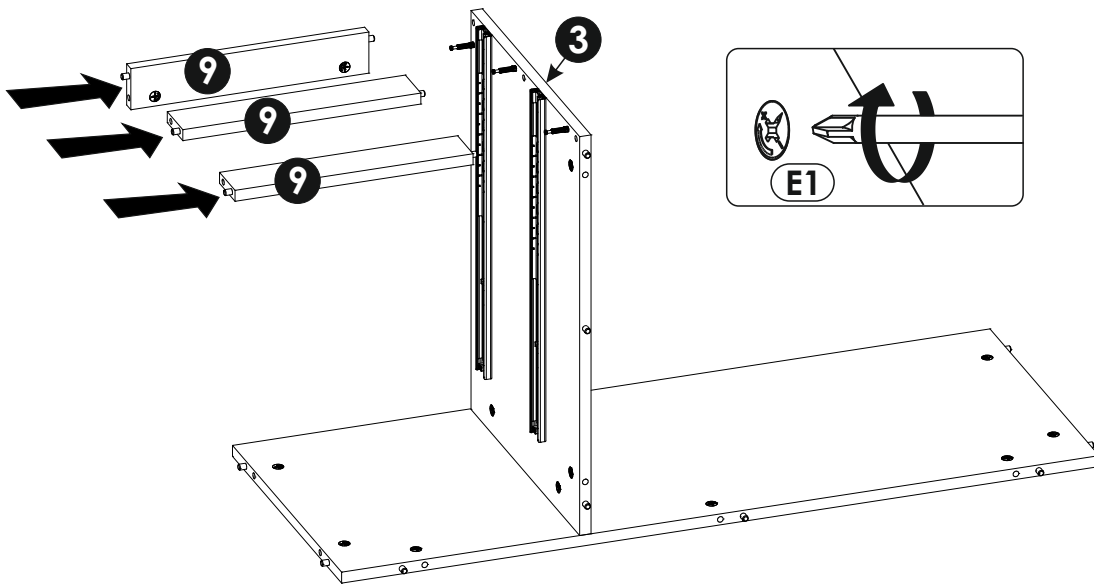
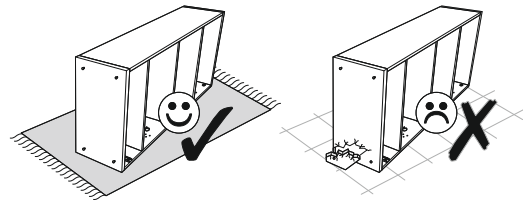


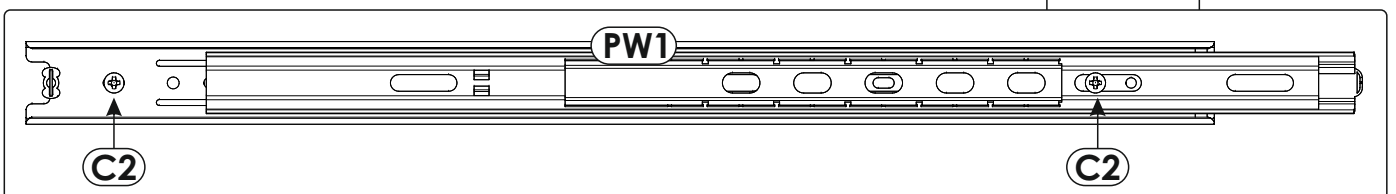
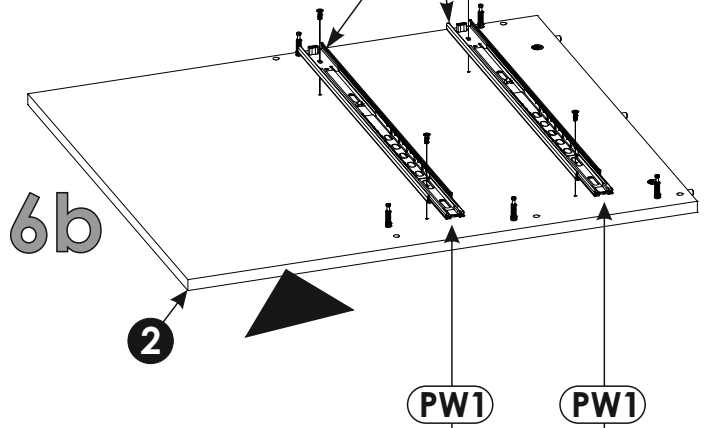
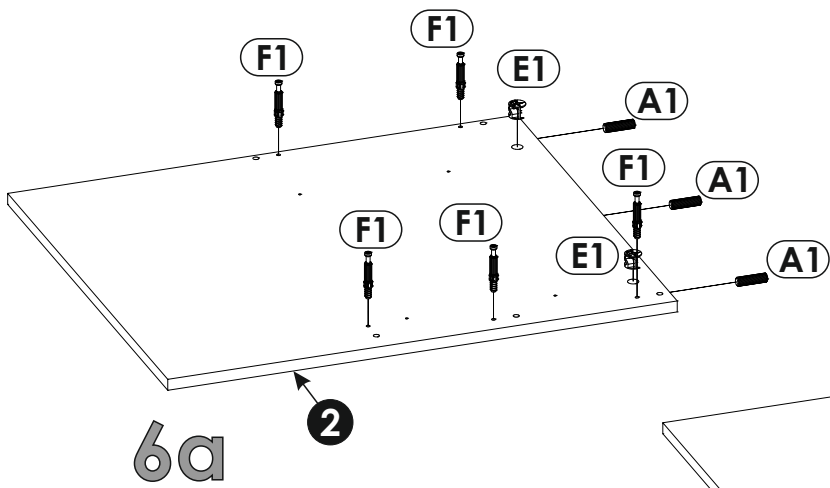
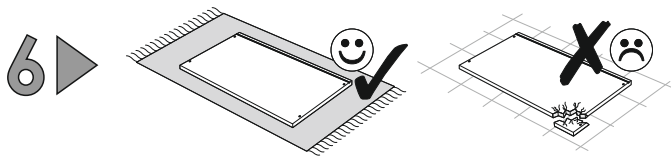
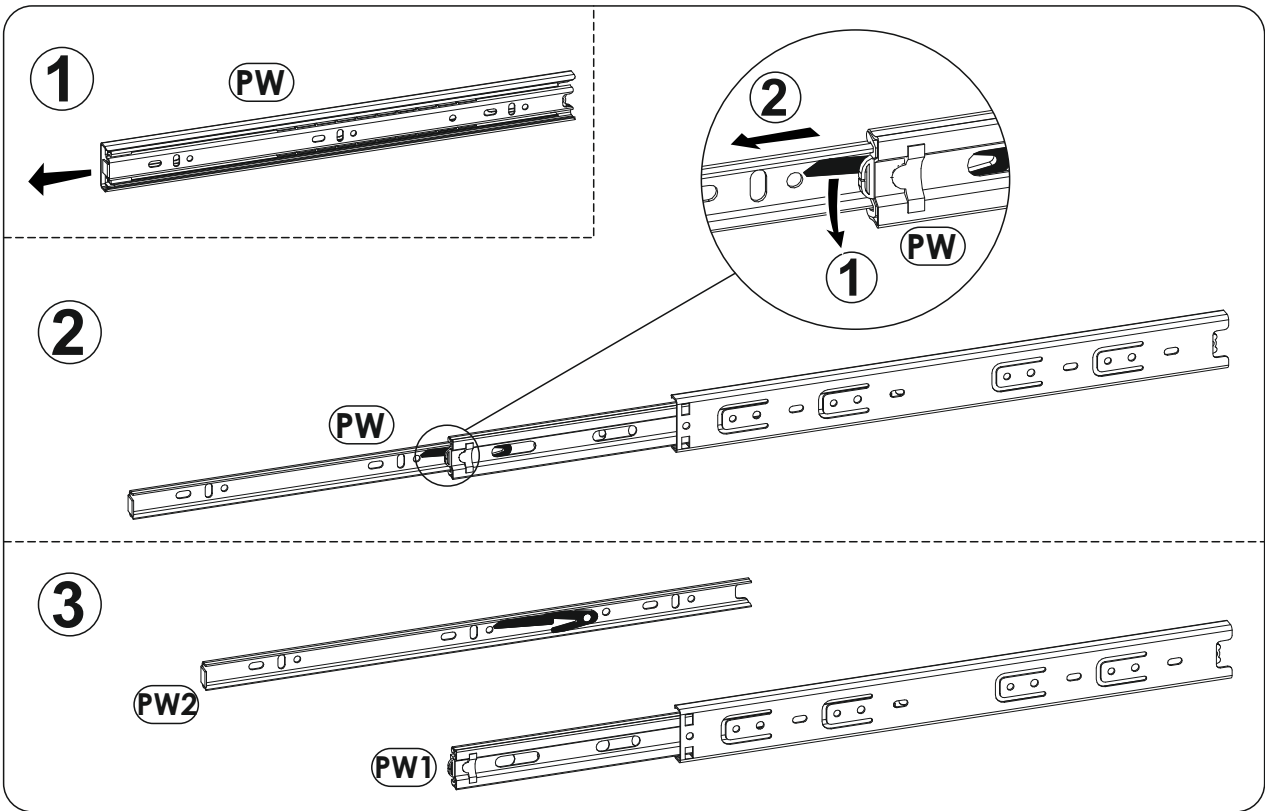


4 ▶

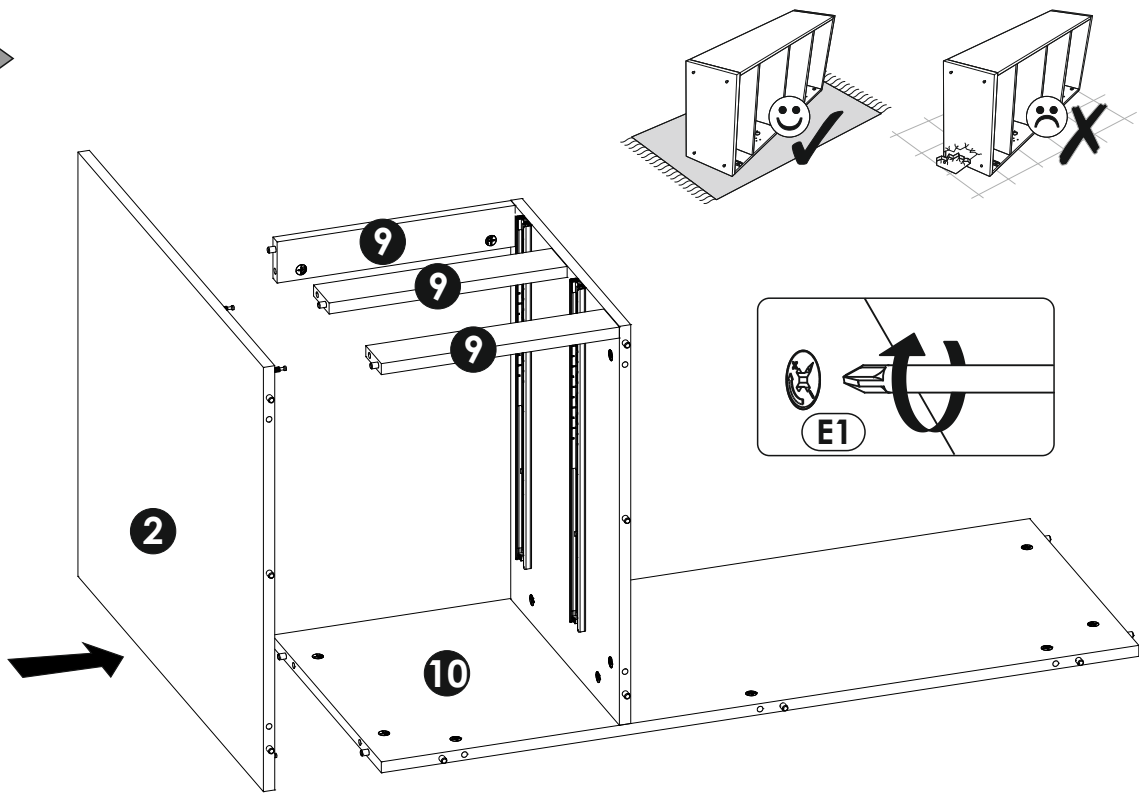


5 ▶

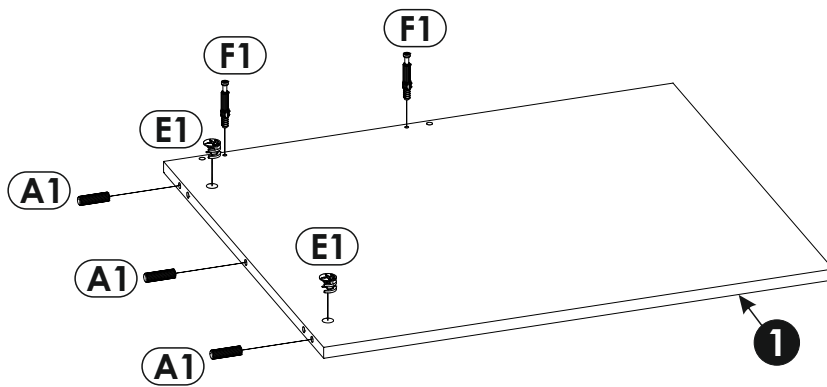
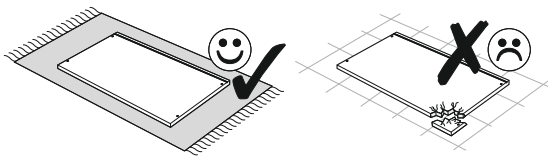




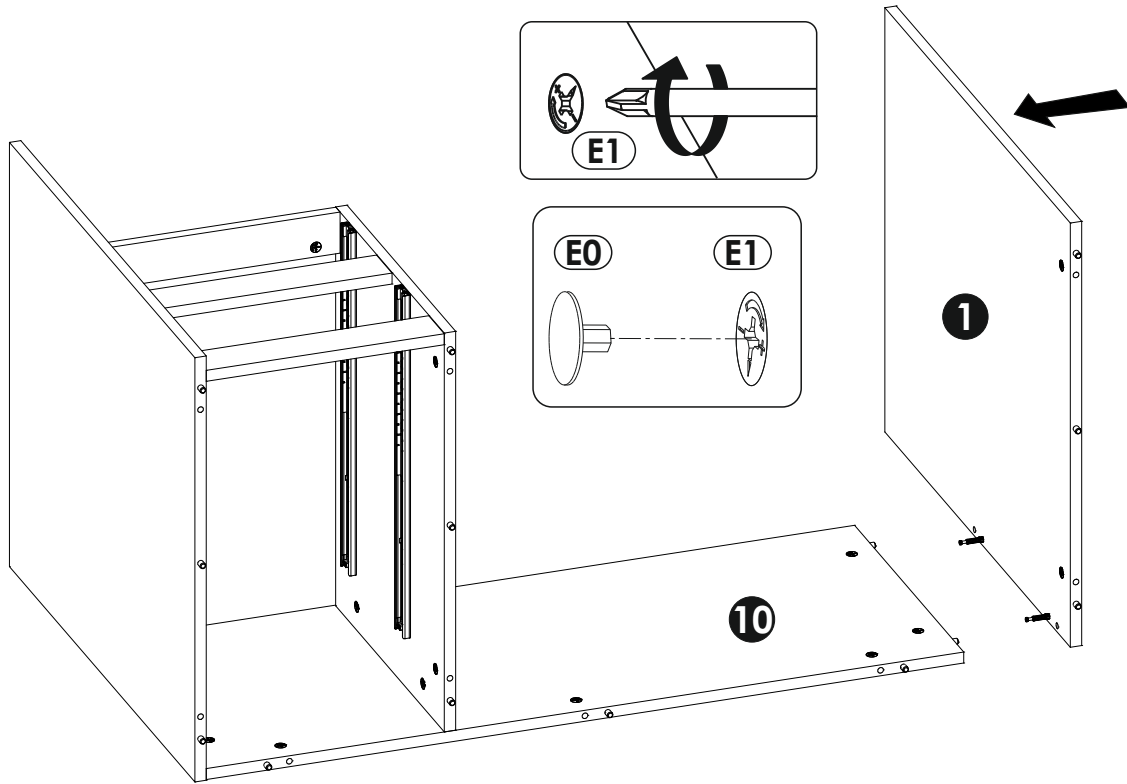
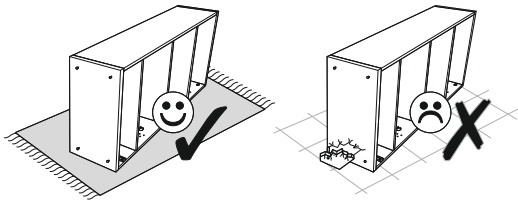
7 ▶



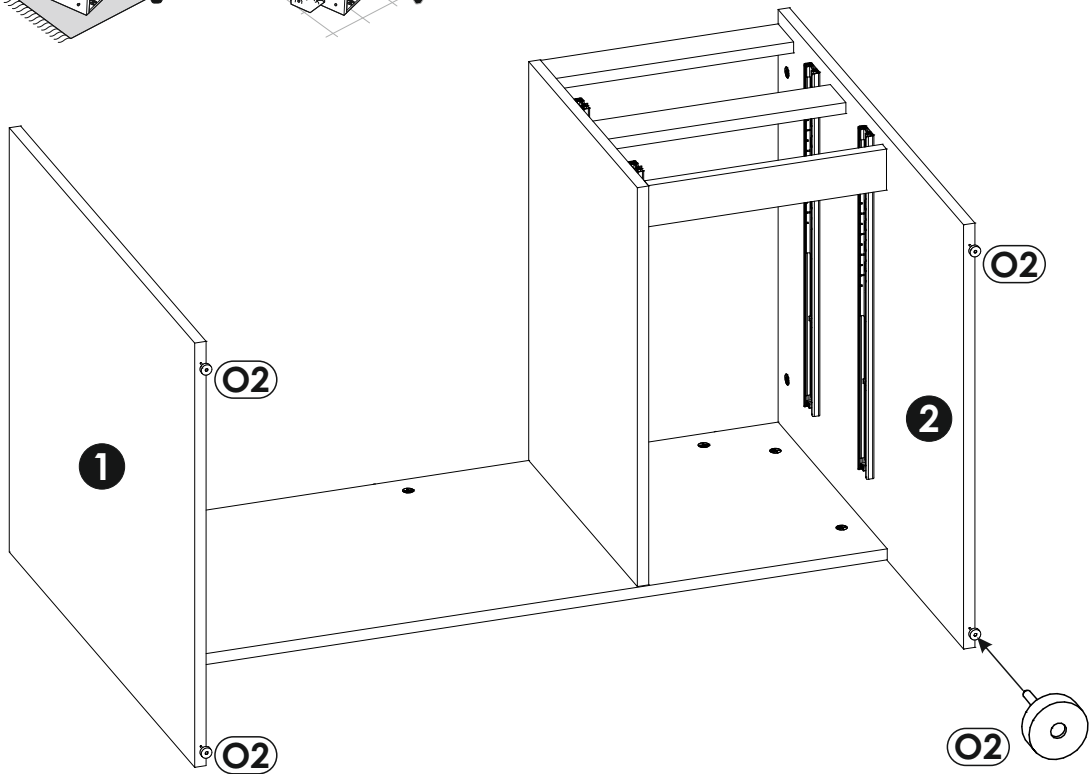
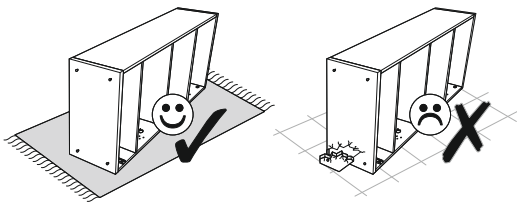
8 ▶



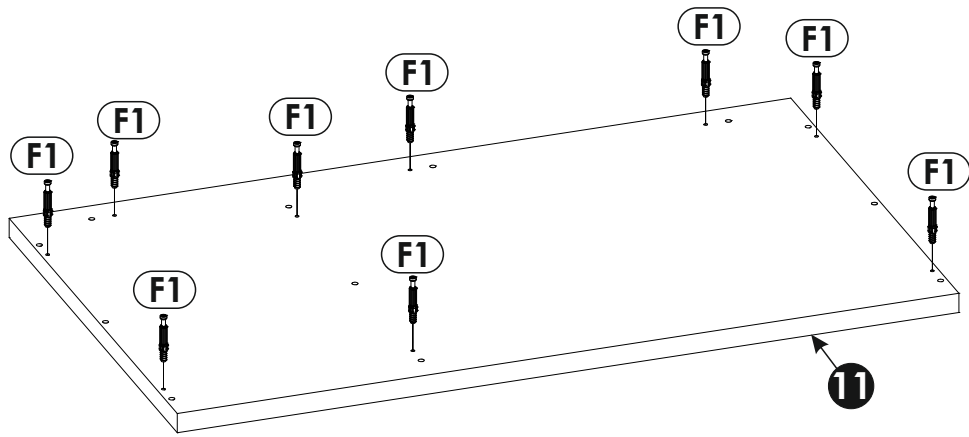
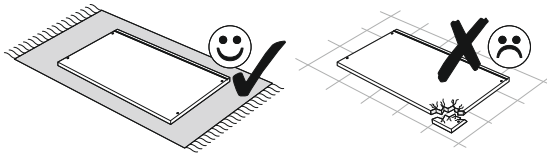
9 ▶



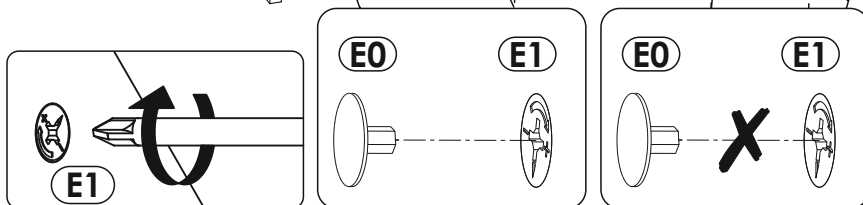
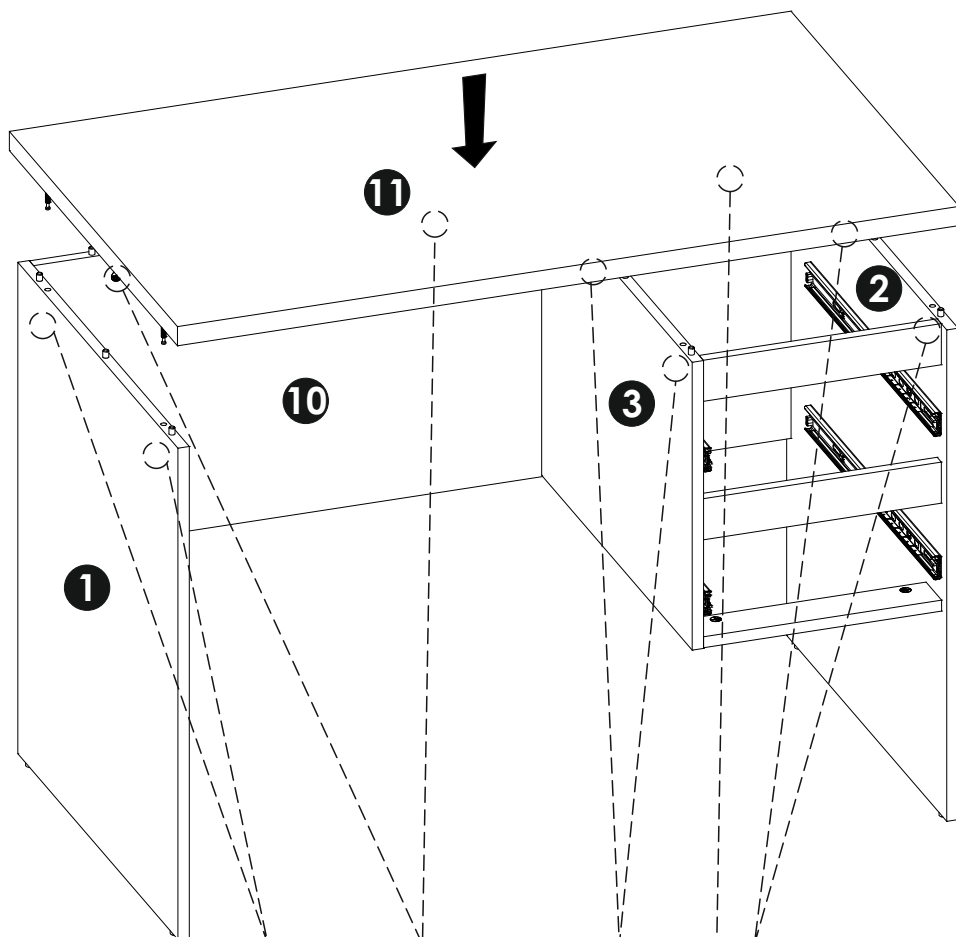
10 ▶



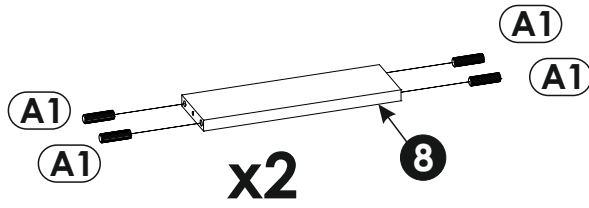
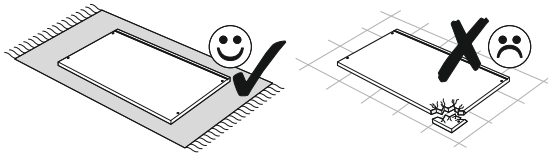
11▶



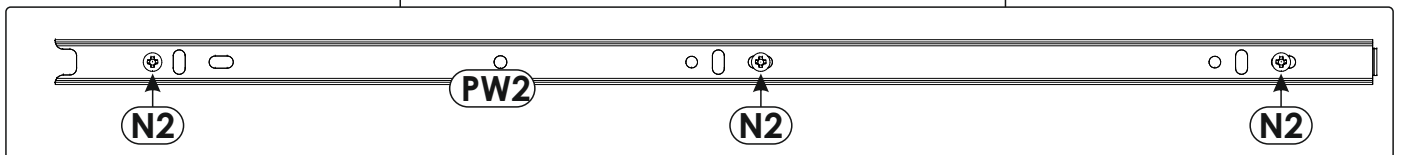
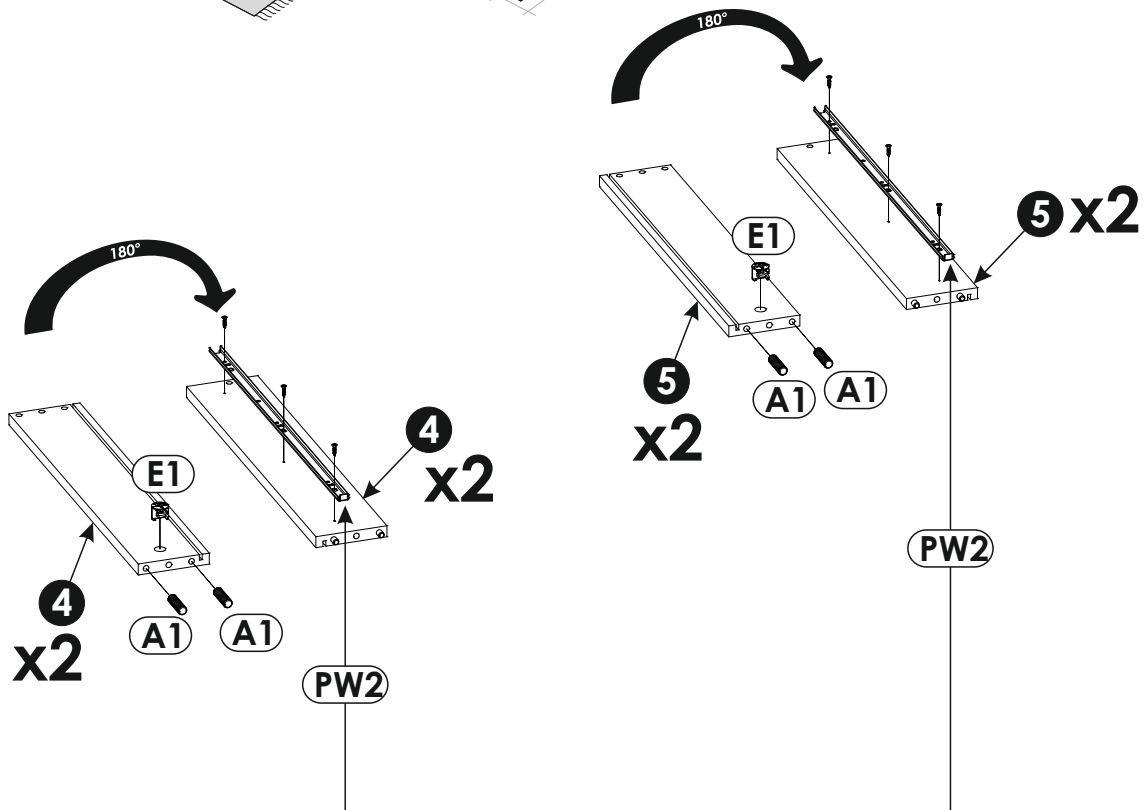
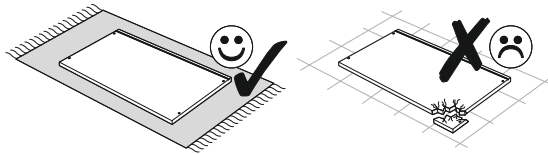
12▶

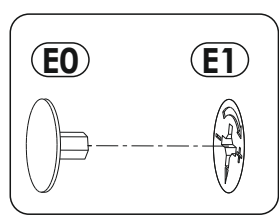
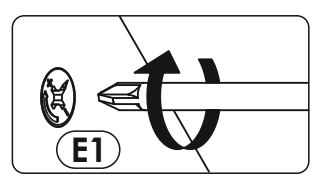
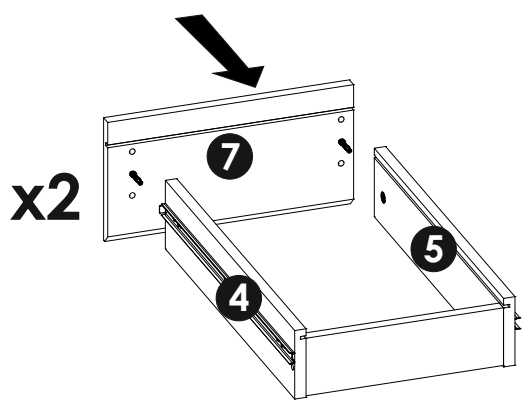
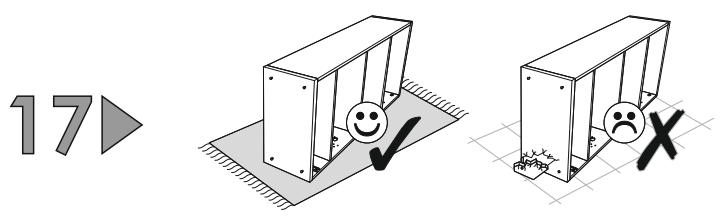
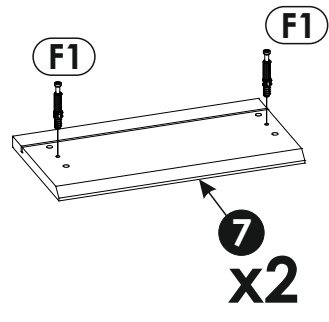
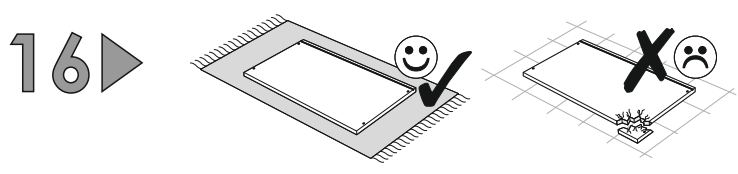
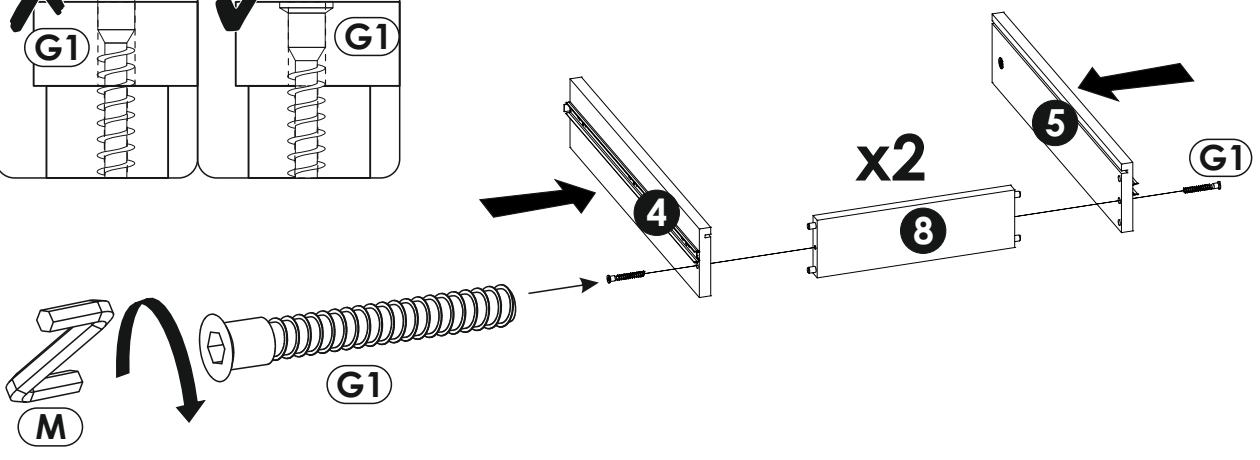
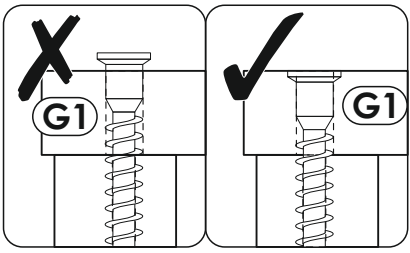
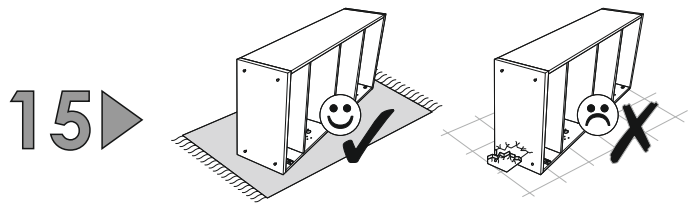


13▶

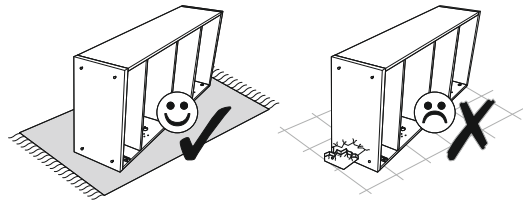
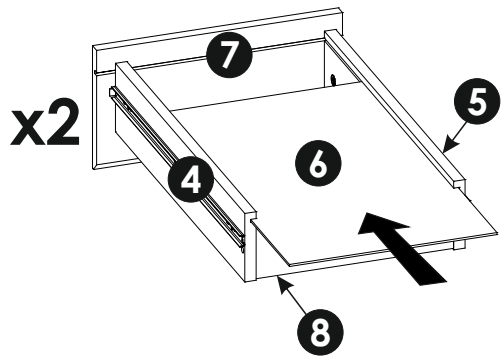


14▶

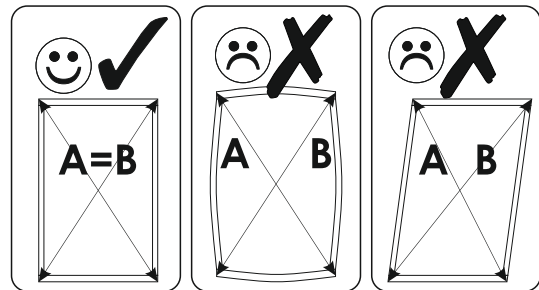
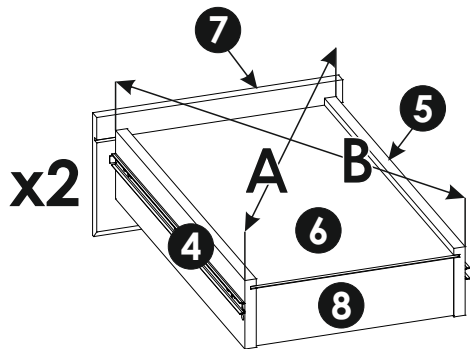
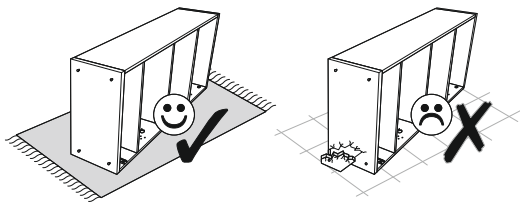




18 ▶

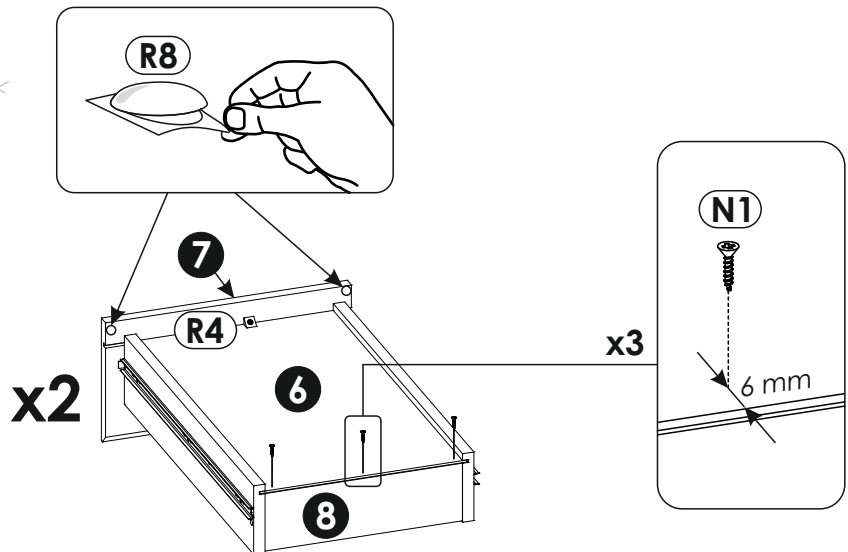
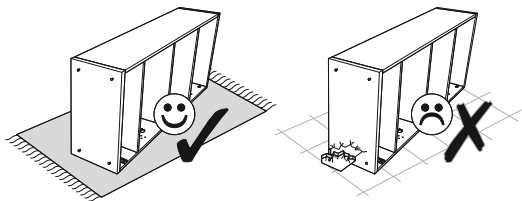


19 ▶

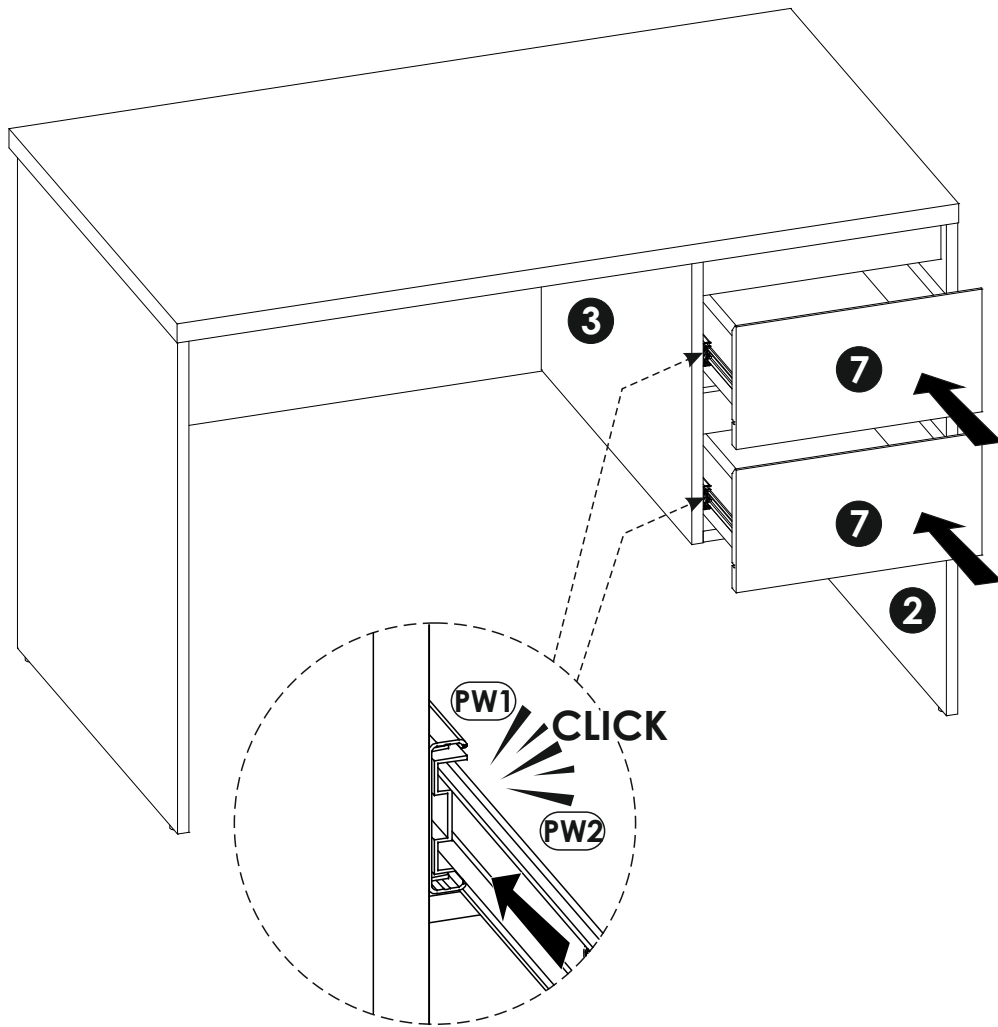


A=B

20 ▶



21▶



22▶

