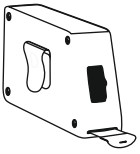
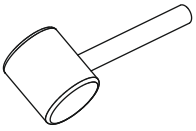
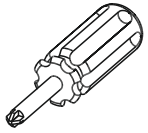
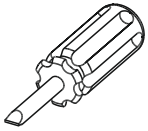
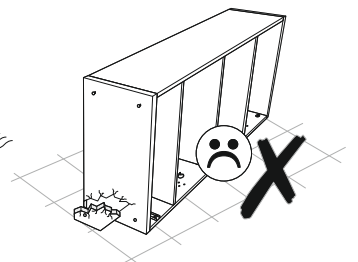
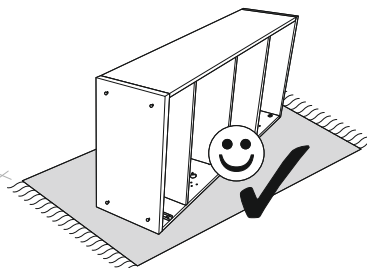
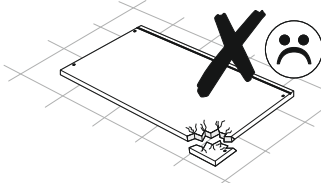
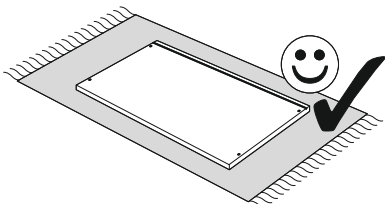
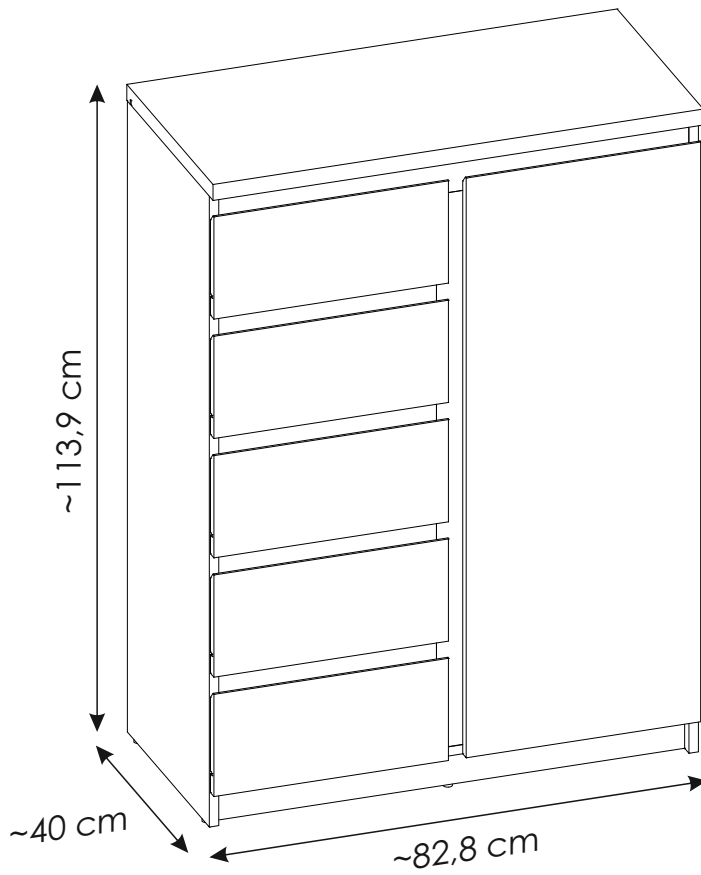


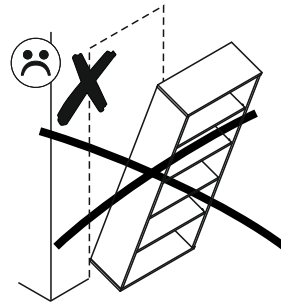
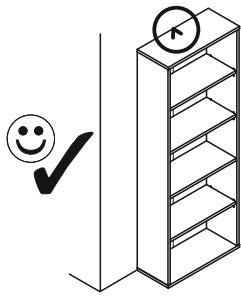


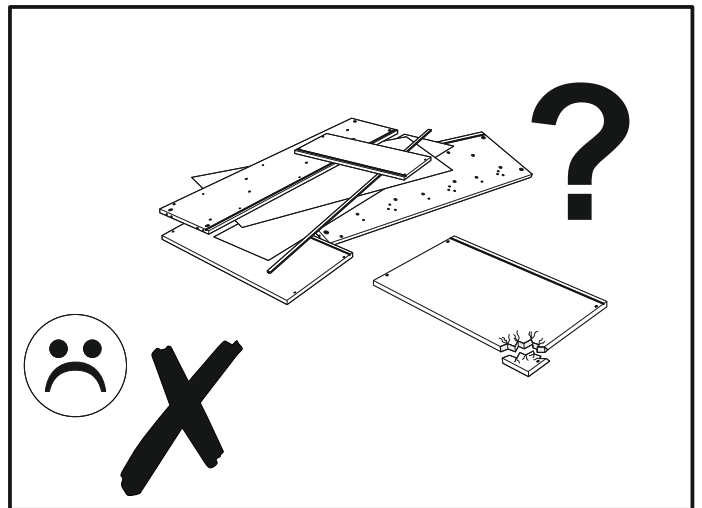
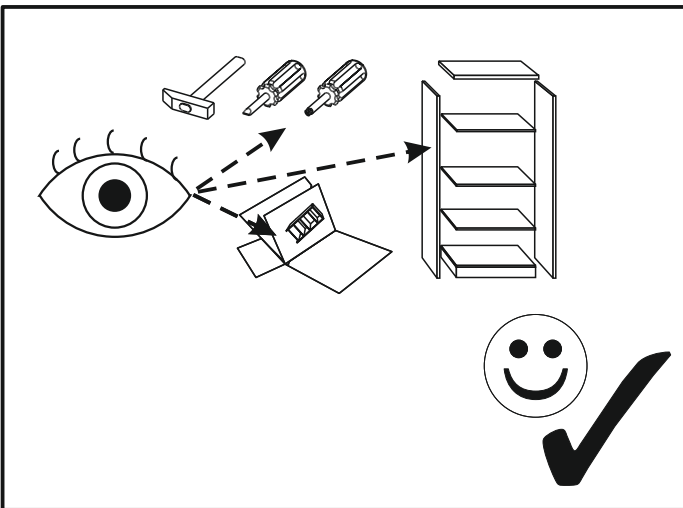
100 min

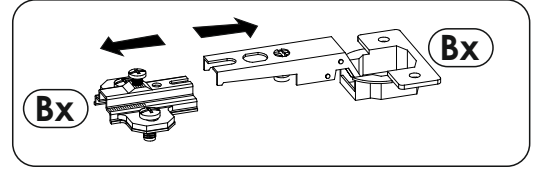
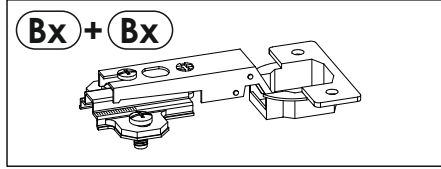
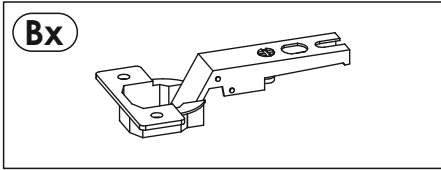
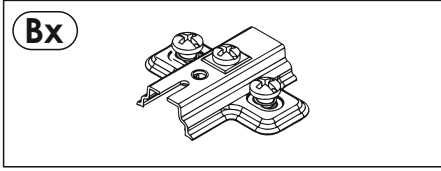


Ø8

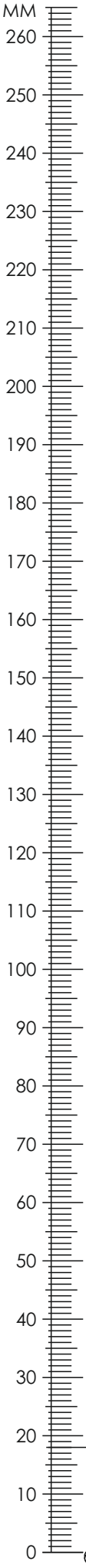




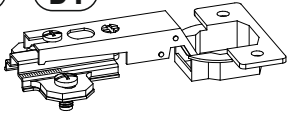



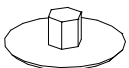

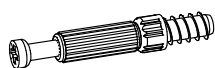
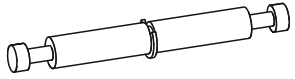
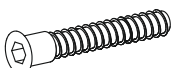

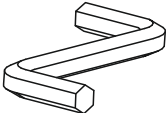
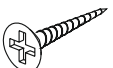
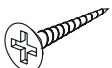
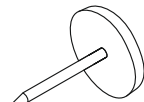
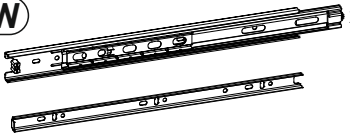
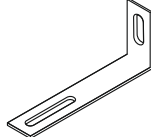
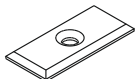
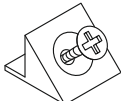
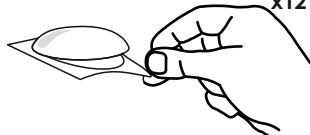
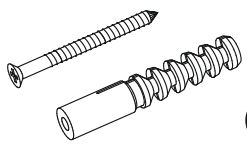
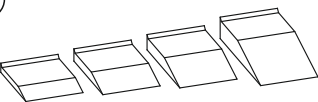


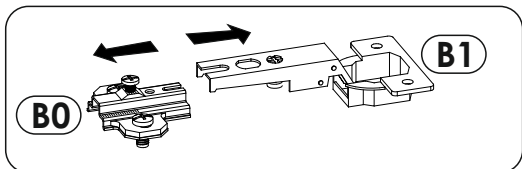


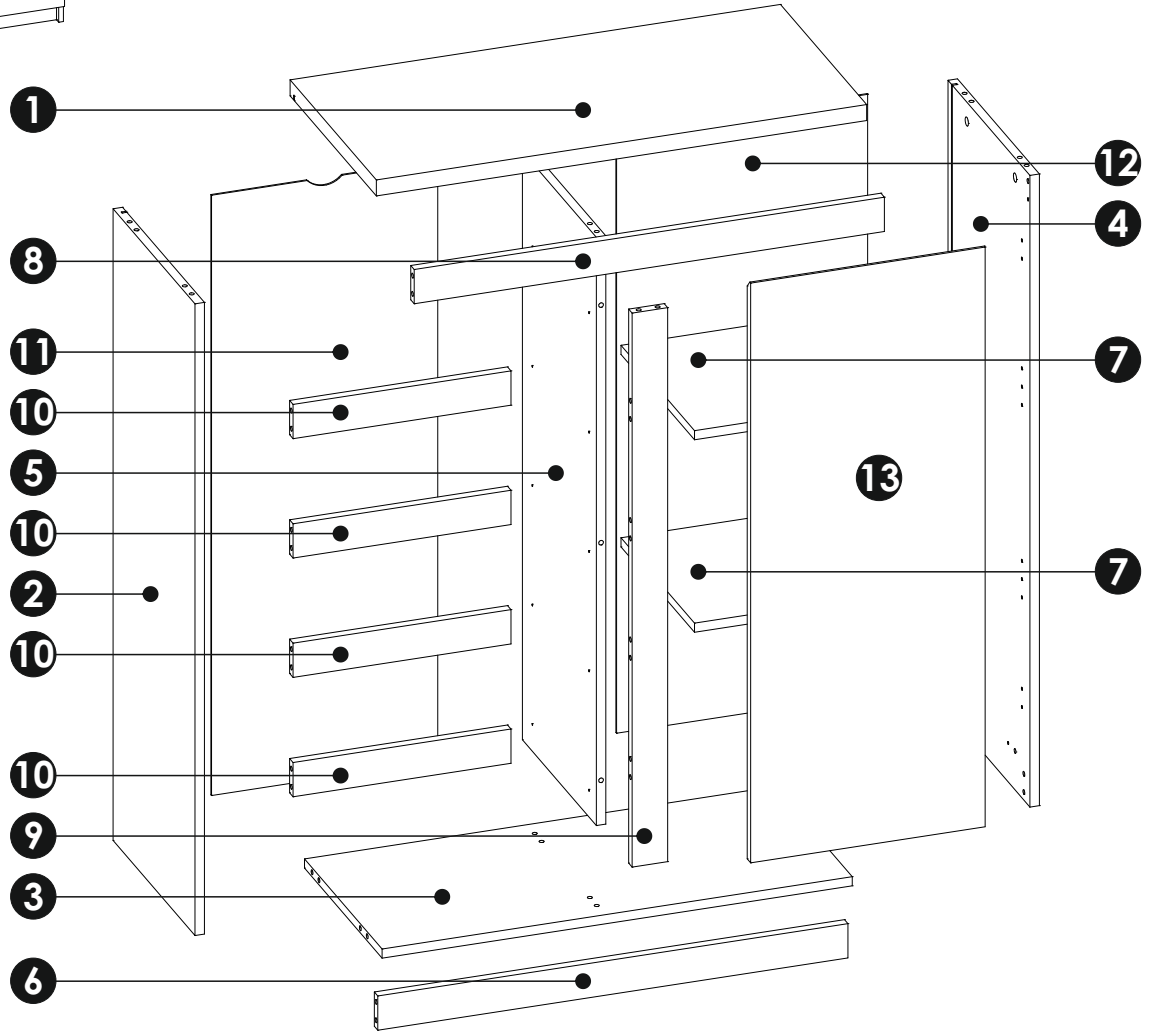
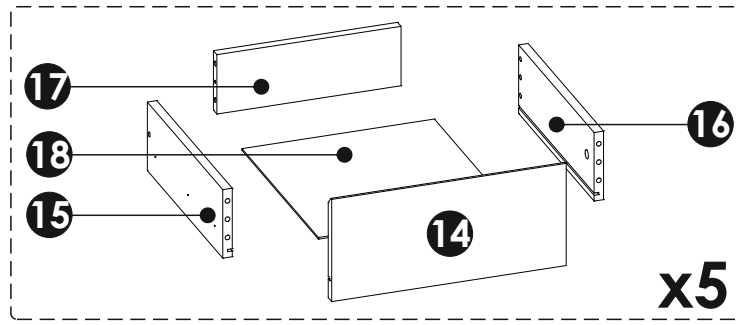
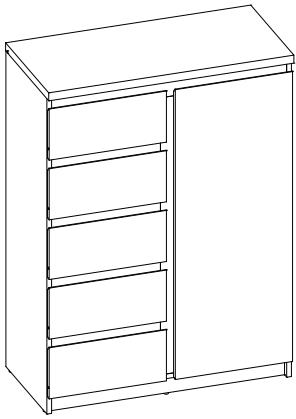






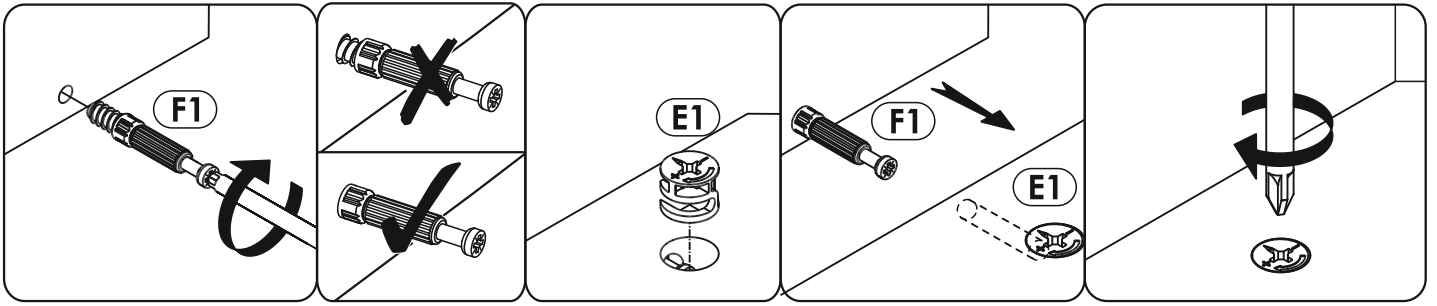
<b>A1</b> 8 x 35 mm x62 	<b>A2</b> 8 x 45 mm x5 	<b>B0 + B1</b> x2 
<b>C1</b> 4 x 13 mm x4 	<b>C2</b> 5 x 13 mm x20 	<b>D2</b> x8 
<b>E0</b> Ø16 x17 	<b>E1</b> 15 x 12 mm x39 	<b>F1</b> 6 x 34 mm x29 
<b>F3</b> 7 x 58 mm x5 	<b>G1</b> 7 x 50 mm x12 	<b>I2</b> 4 x 16 mm x2 
<b>M</b> x1 	<b>N1</b> 3 X 16 mm x30 	<b>N2</b> 3,5 X 16 mm x30 
<b>O2</b> x5 	<b>PW</b> x10 	<b>Q9</b> x2 
<b>R1</b> x7 	<b>R4</b> x13 	<b>R8</b> x12 
<b>S13</b> x2  Ø8	<b>Z</b> x1 	



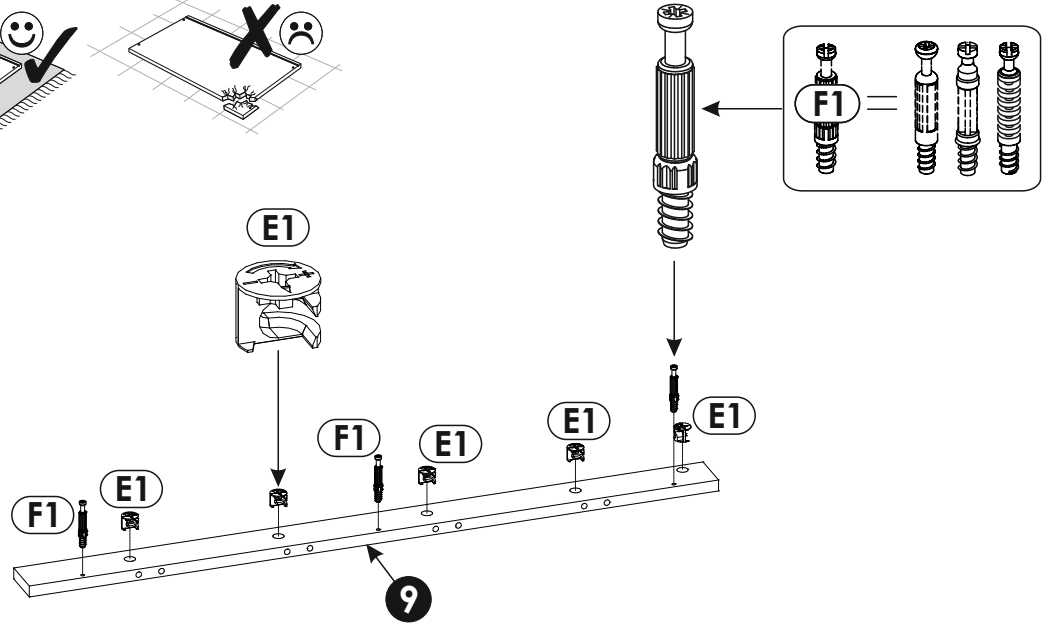
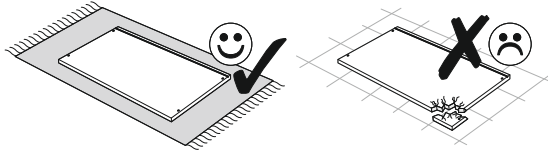


<b>1</b>	828	400	28	x1	1/2
<b>2</b>	1106	380	16	x1	2/2
<b>3</b>	794	360	16	x1	1/2
<b>4</b>	1106	380	16	x1	2/2
<b>5</b>	1030	343	16	x1	2/2
<b>6</b>	794	60	16	x1	1/2
<b>7</b>	410	341	16	x2	1/2
<b>8</b>	794	60	16	x1	1/2
<b>9</b>	970	60	16	x1	2/2

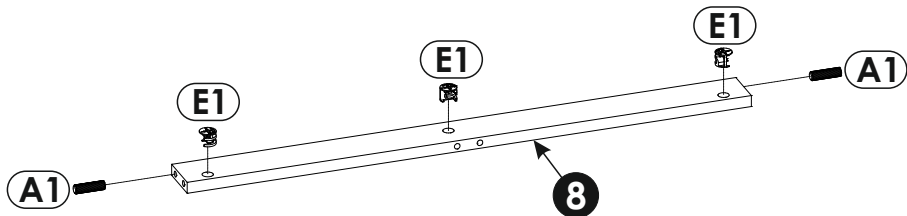
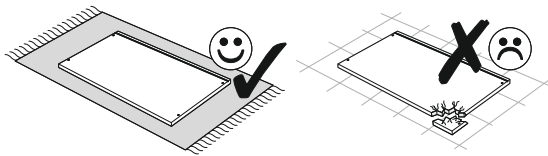
<b>10</b>	368	60	16	x4	1/2
<b>11</b>	1051	382	3	x1	2/2
<b>12</b>	1051	424	3	x1	2/2
<b>13</b>	1015	396	16	x1	2/2
<b>14</b>	396	179	16	x5	1/2
<b>15</b>	350	120	16	x5	1/2
<b>16</b>	350	120	16	x5	1/2
<b>17</b>	311	104	16	x5	1/2
<b>18</b>	325	355	3	x5	1/2

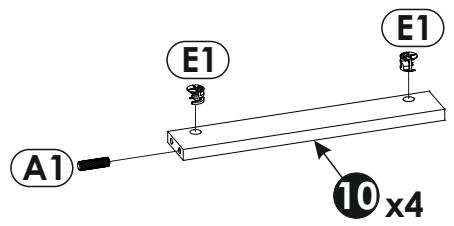
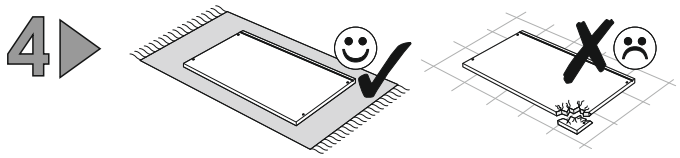
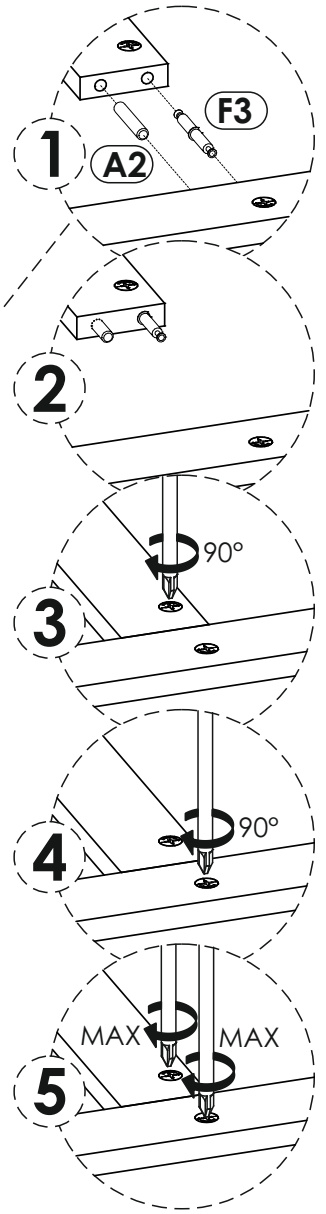
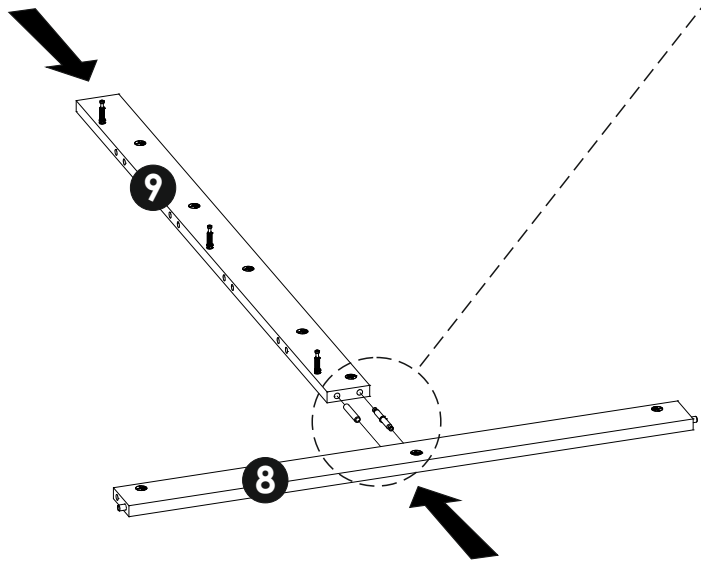
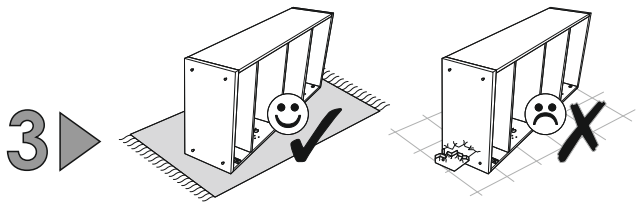


1 ▶

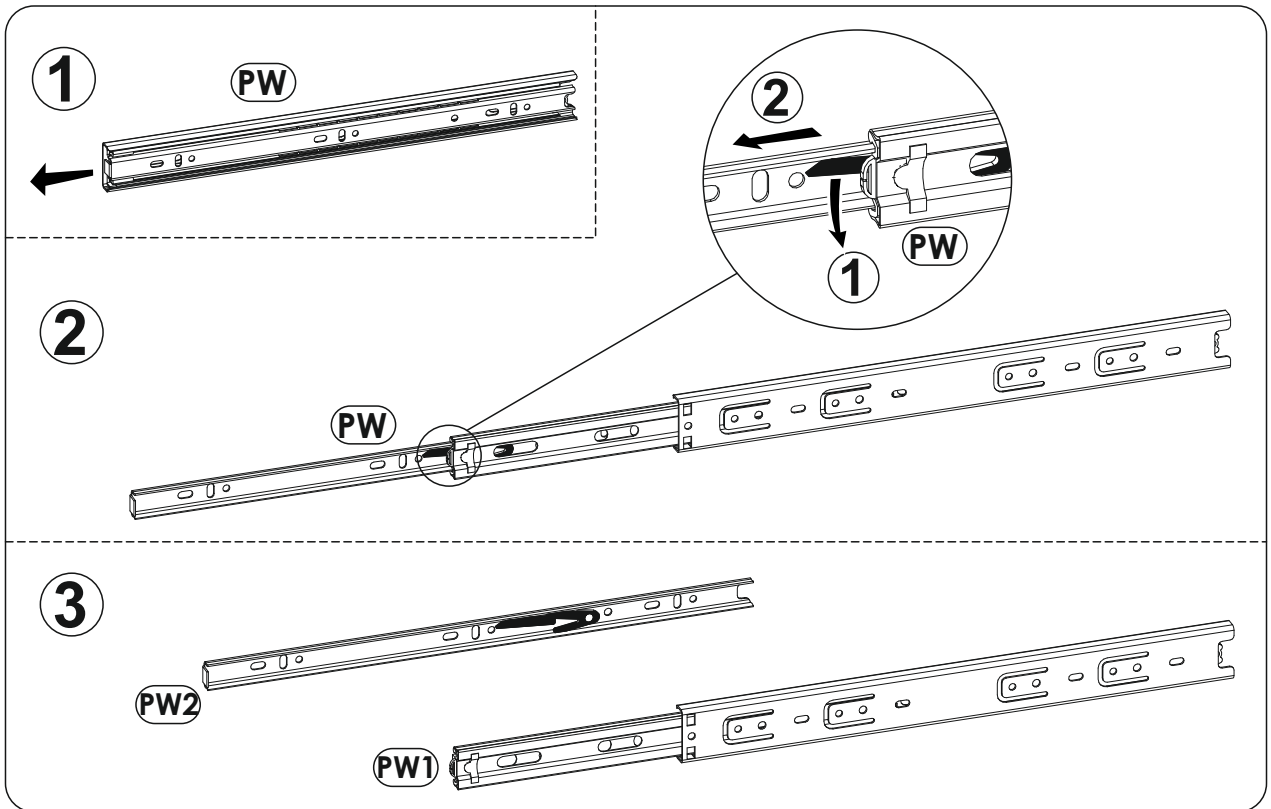
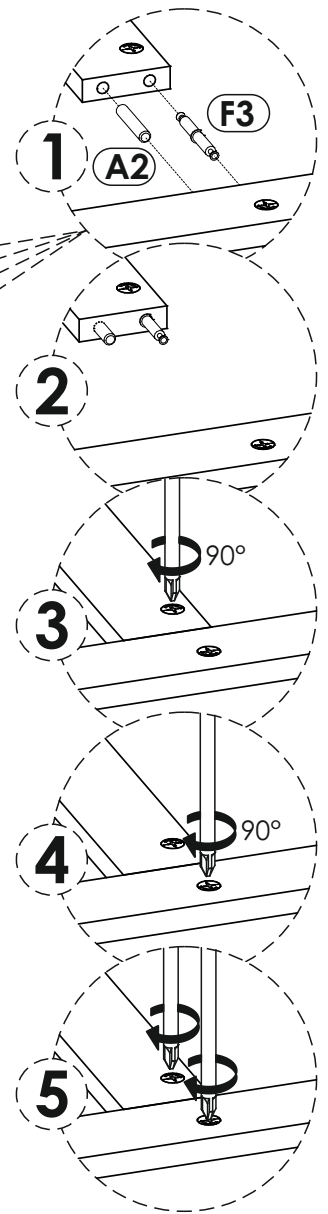
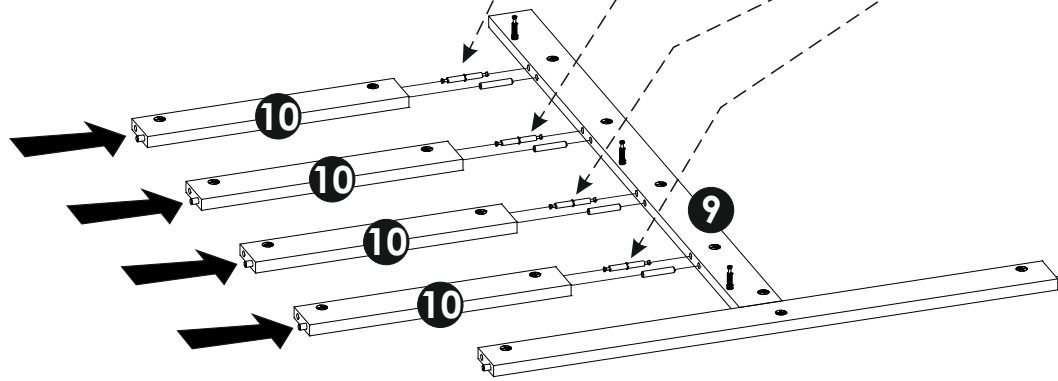
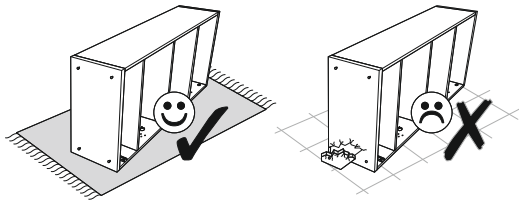


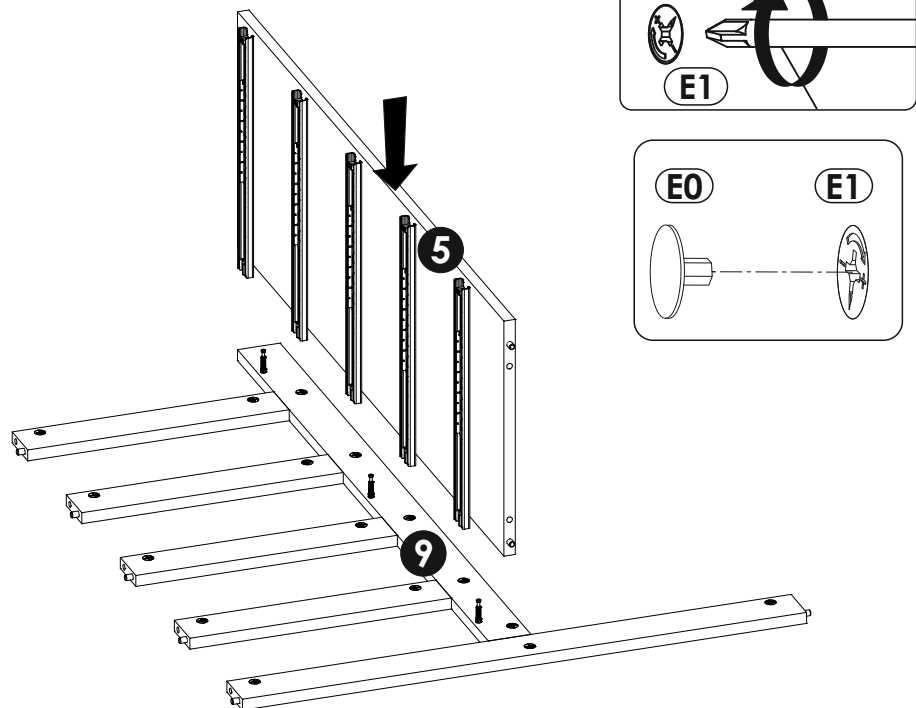
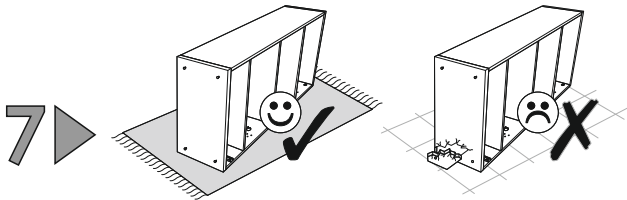
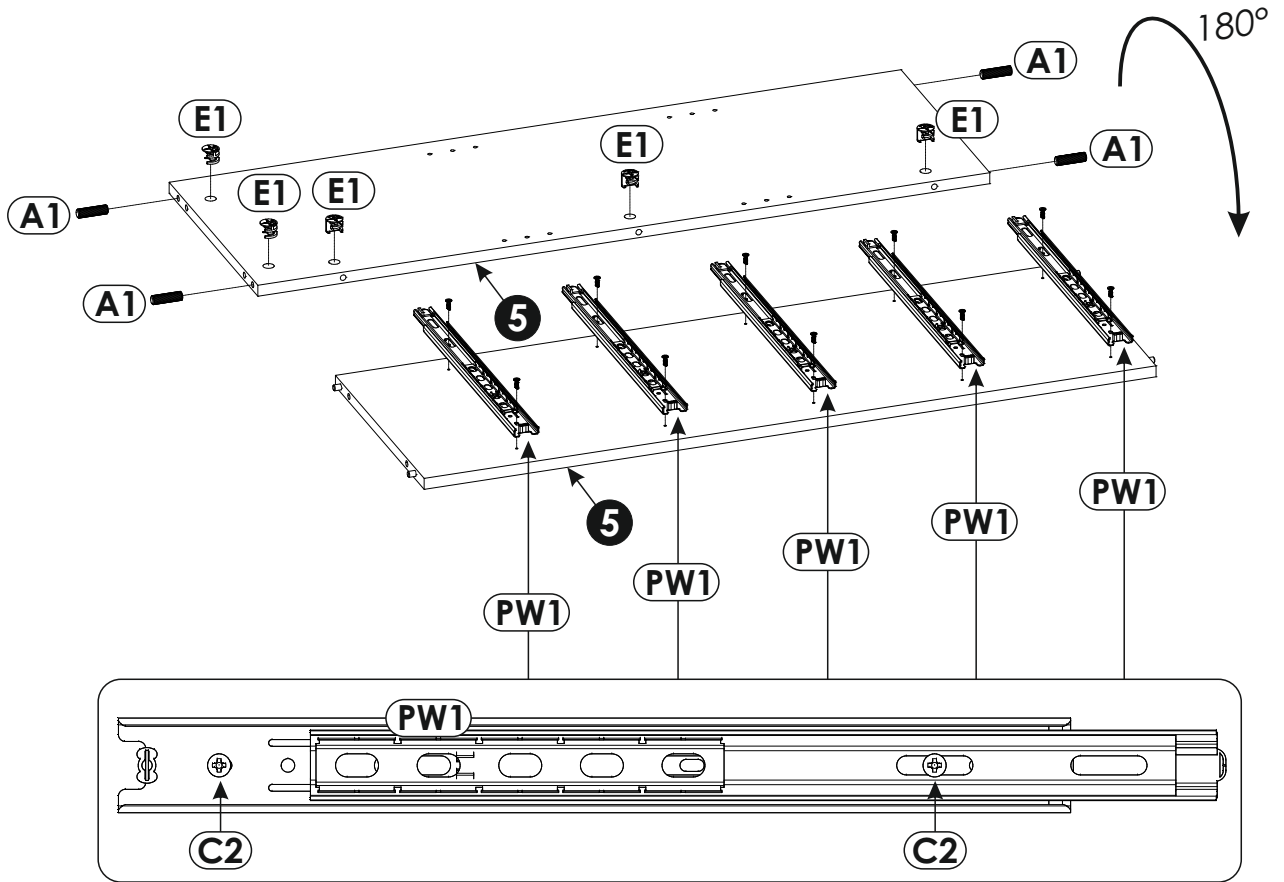
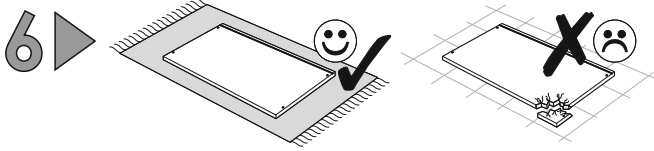
2 ▶



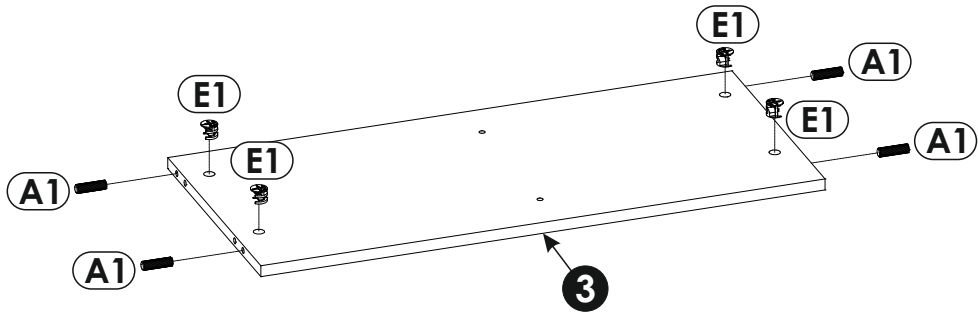
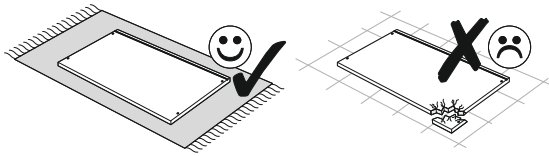


5

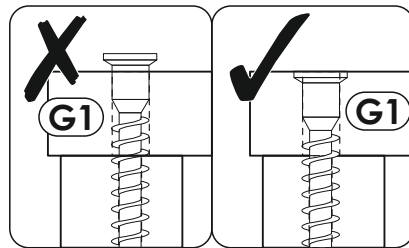
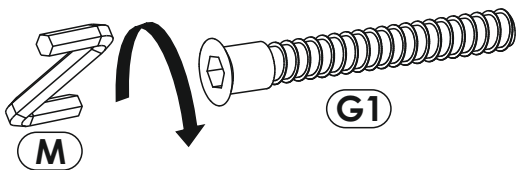
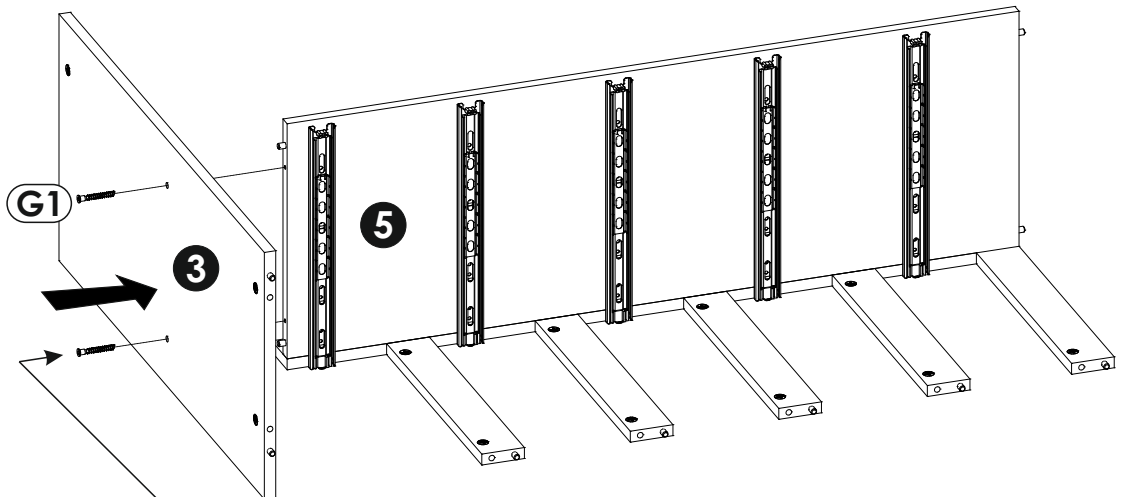
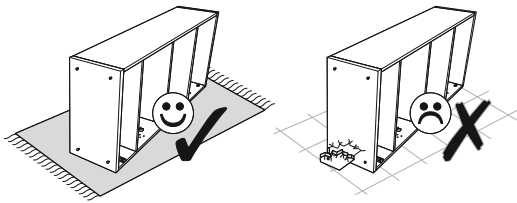




8 ▶



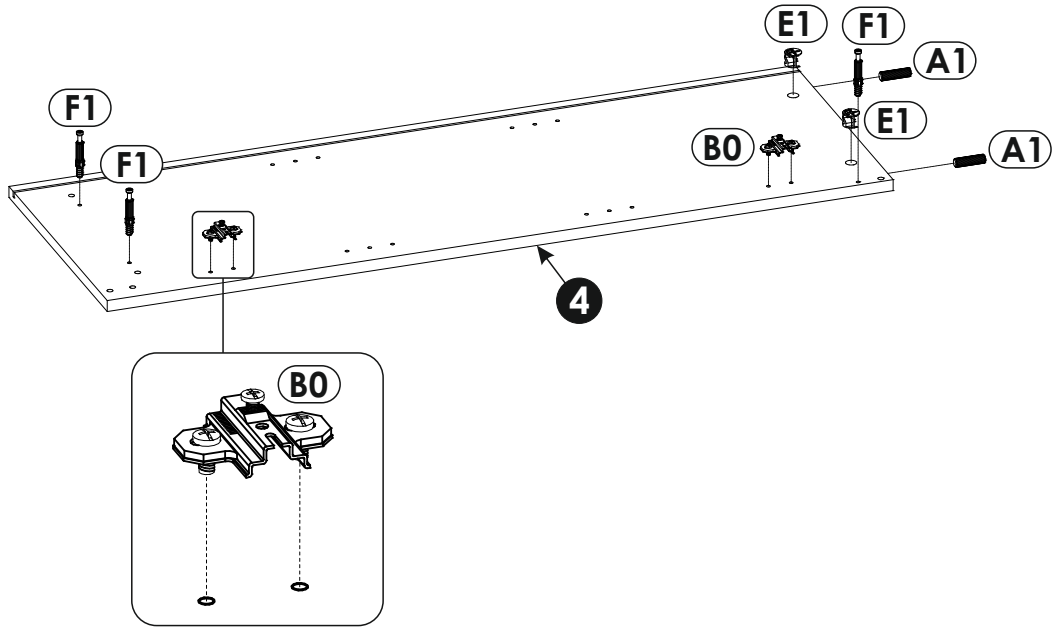
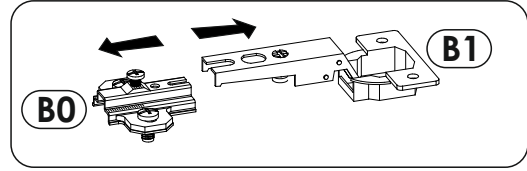
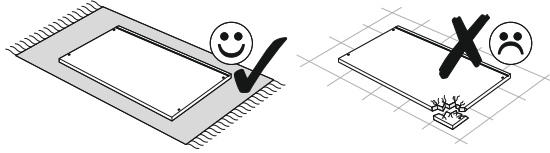
9 ▶



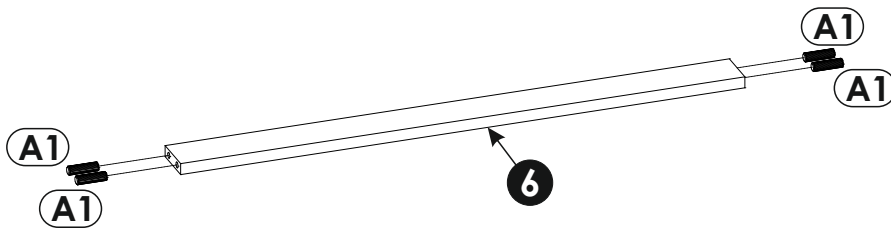
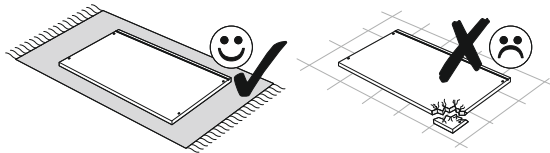




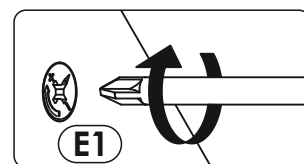
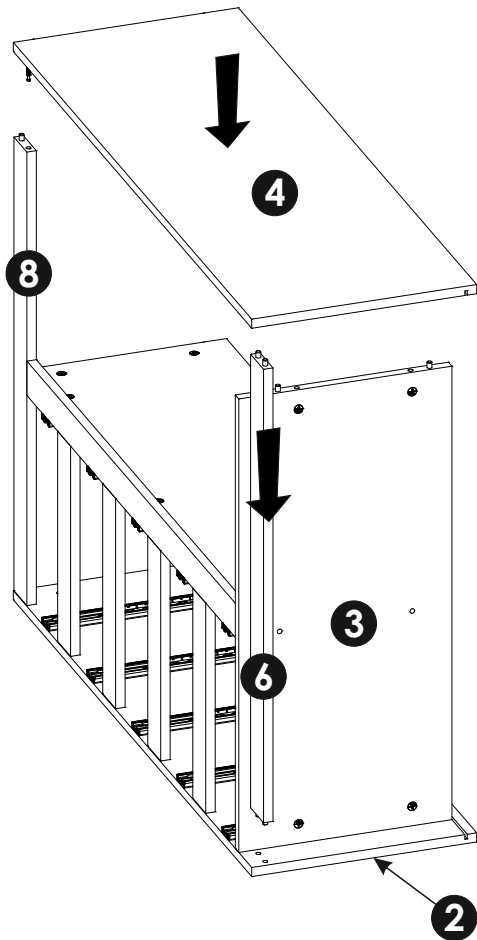
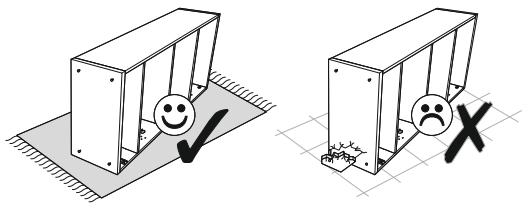
12▶



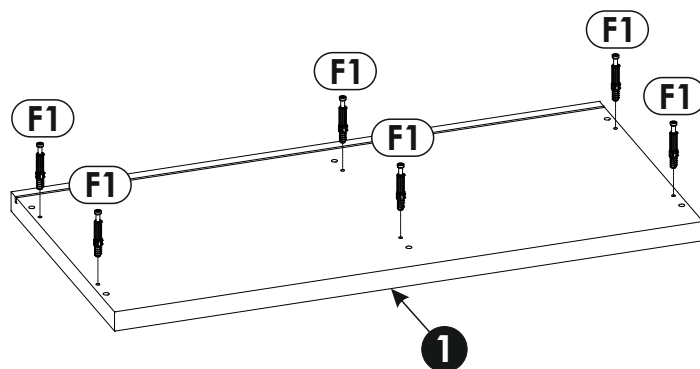
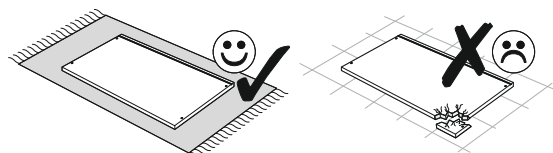
13▶



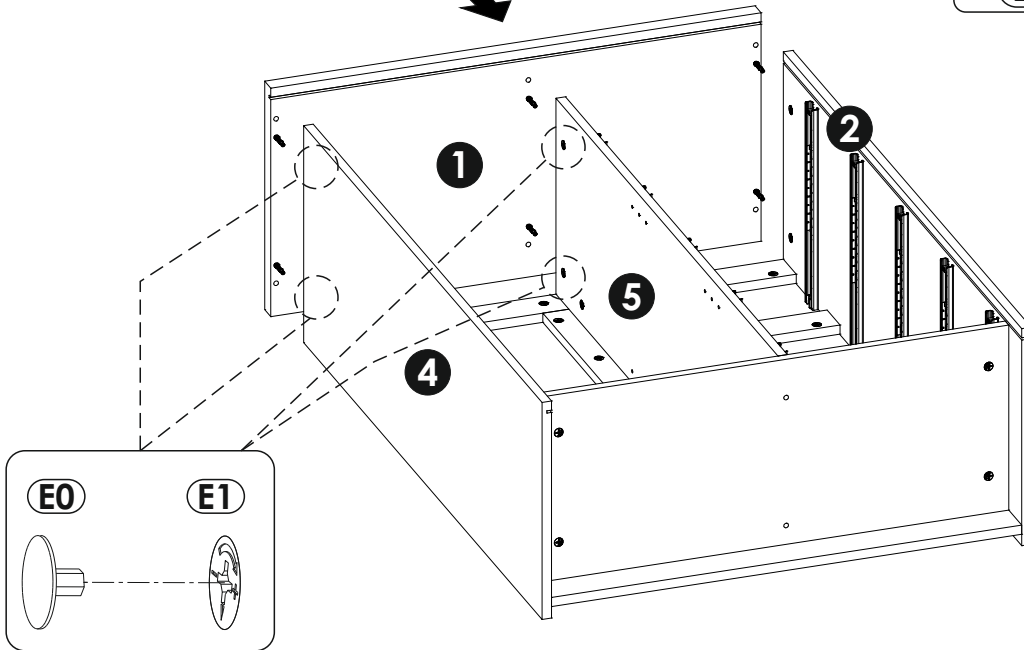
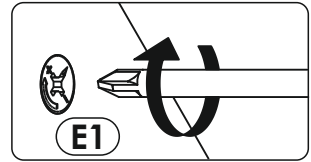
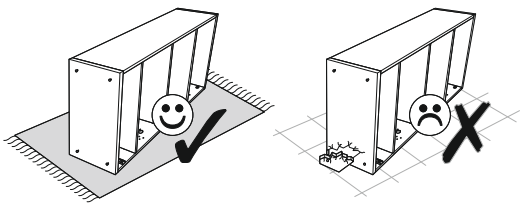
14▶



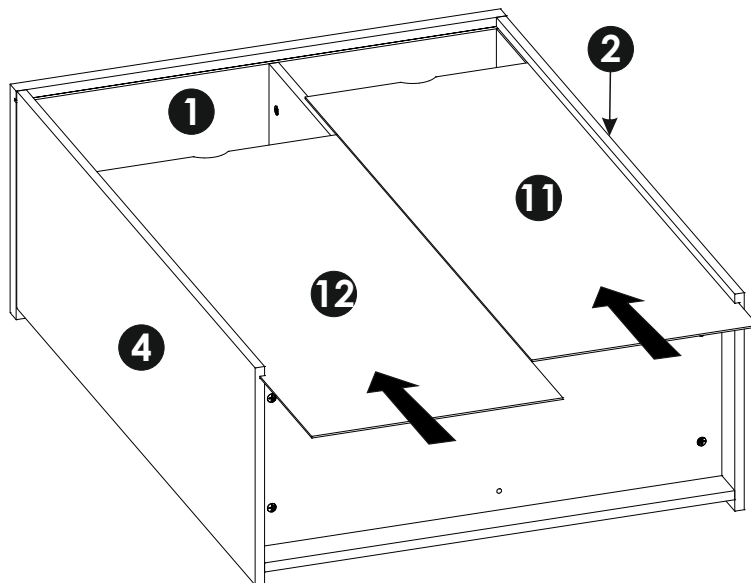
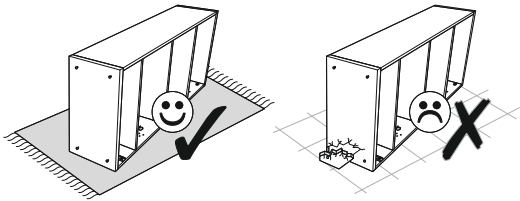
15▶



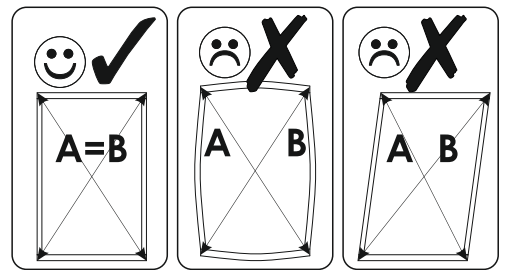
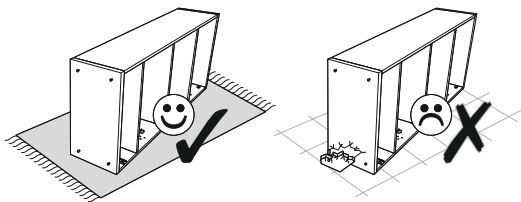
16 ▶



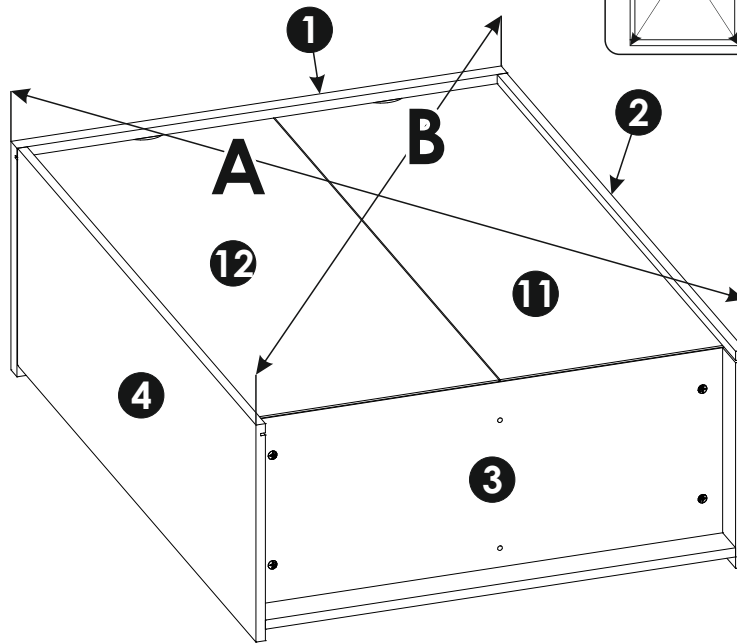
17 ▶



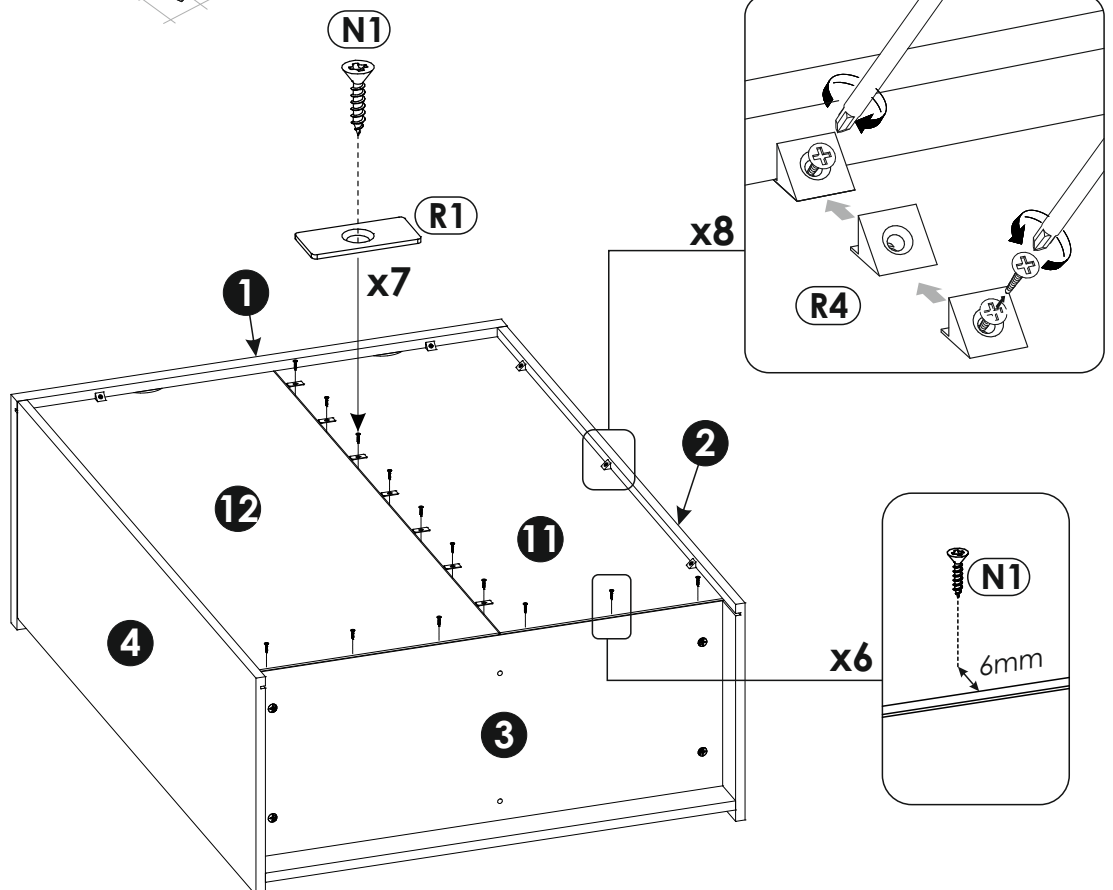
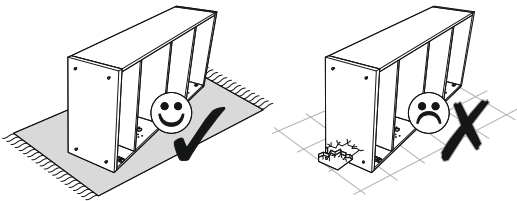
18 ▶



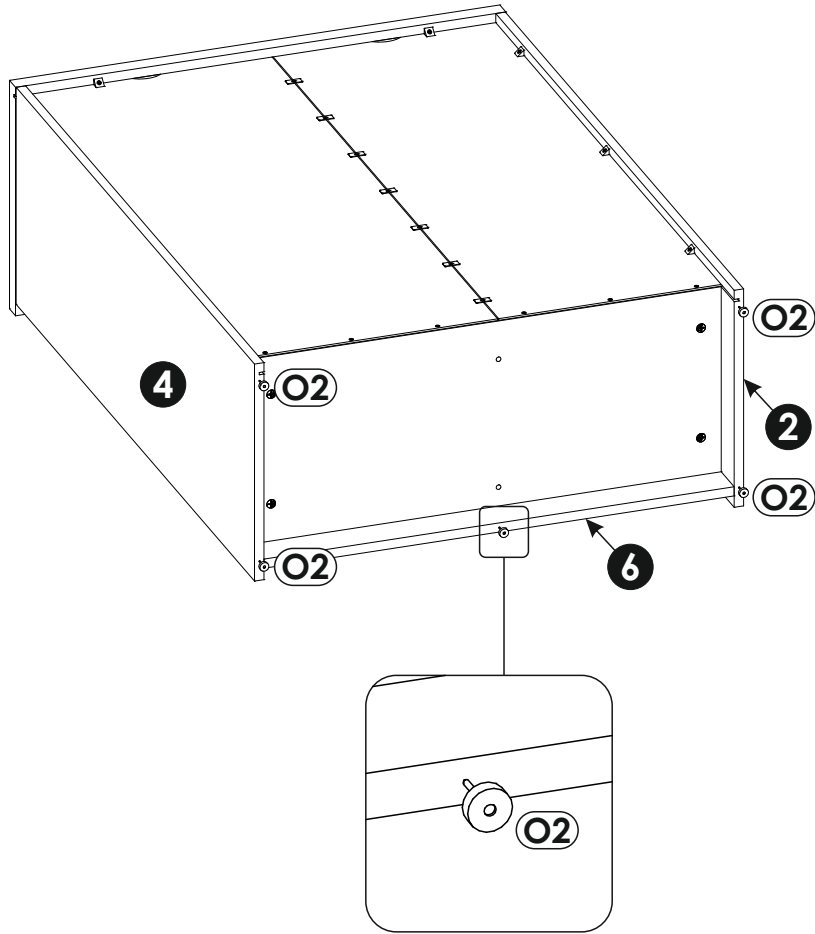
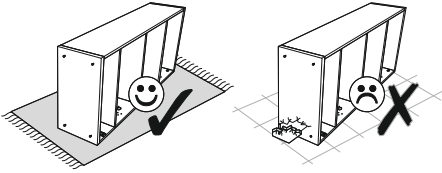
**A=B**

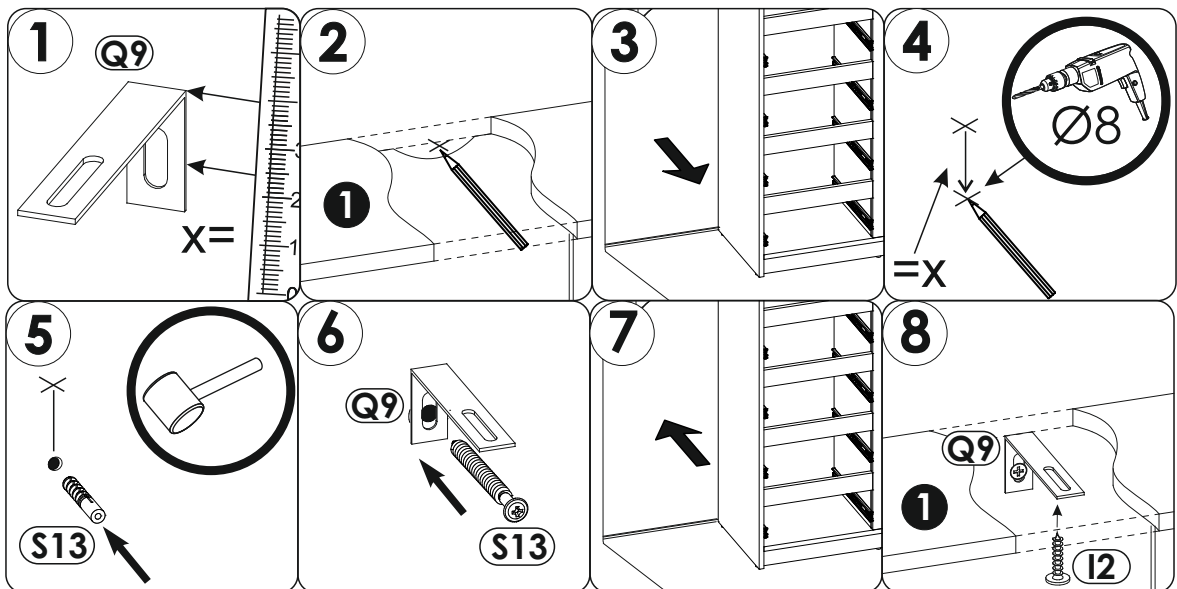
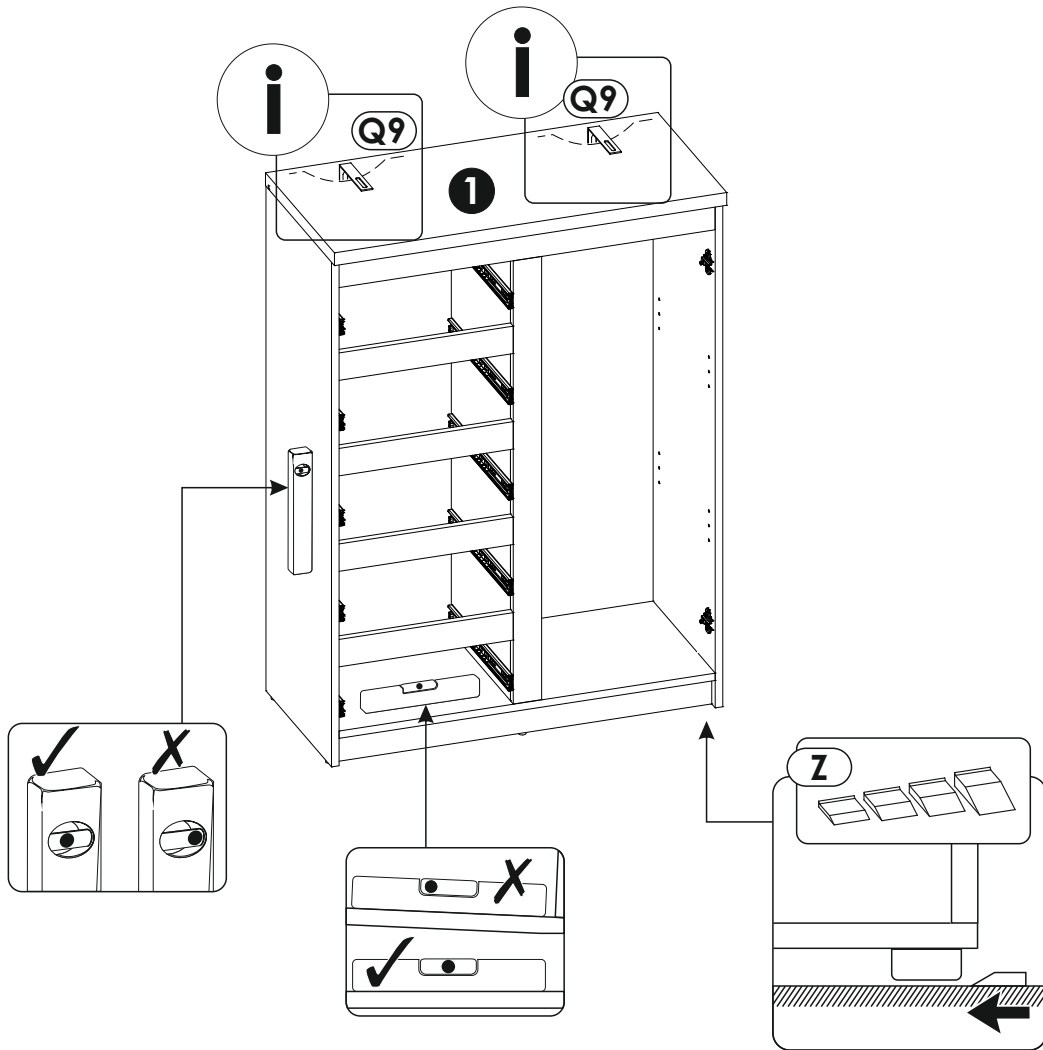
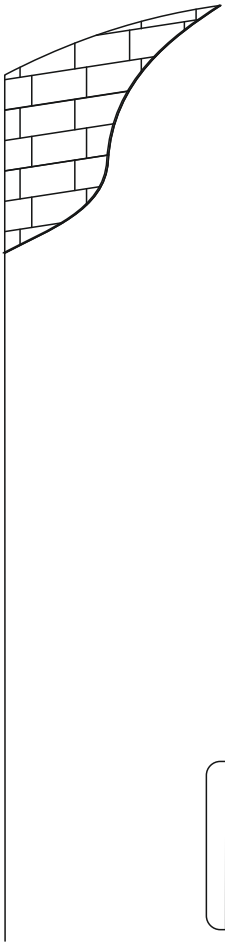
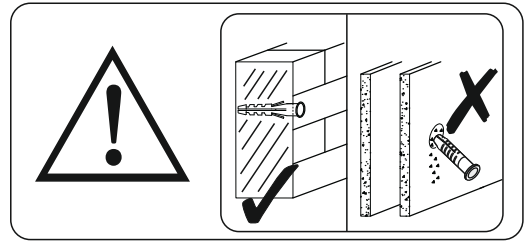


19 ▶

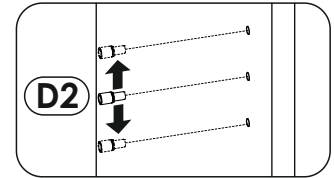
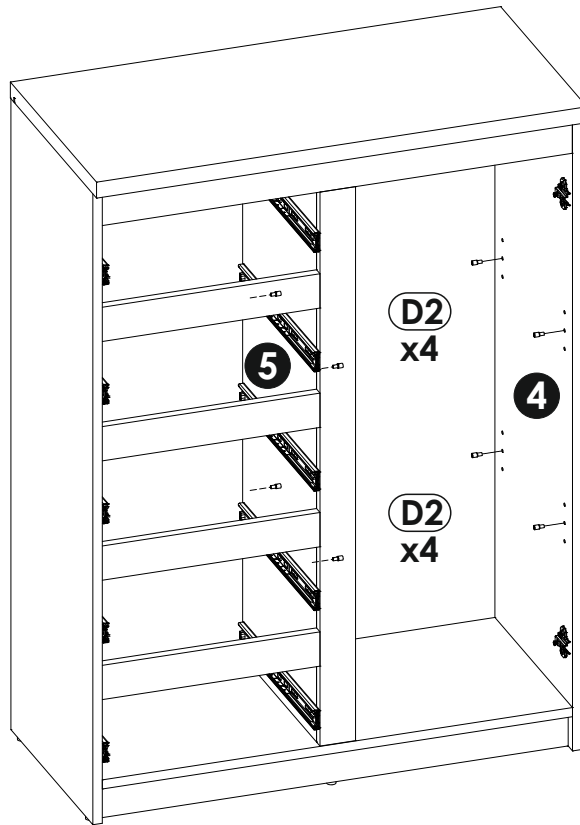


20 ▶

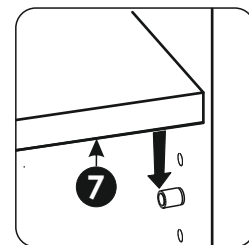
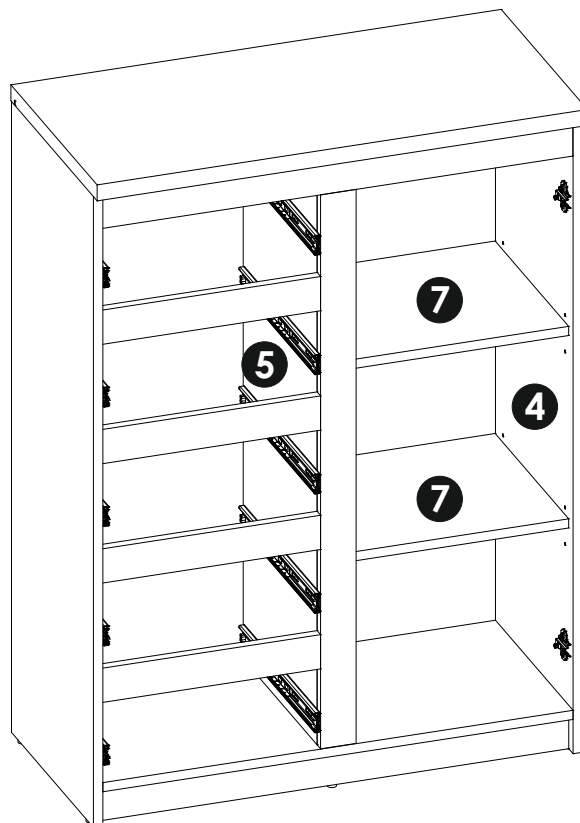




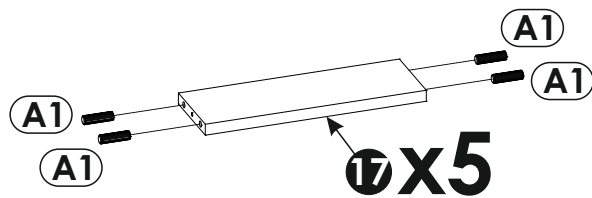
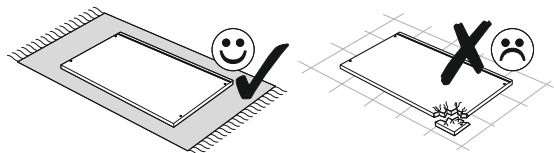
22▶



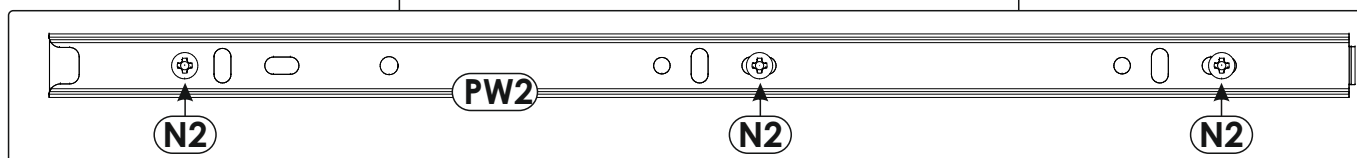
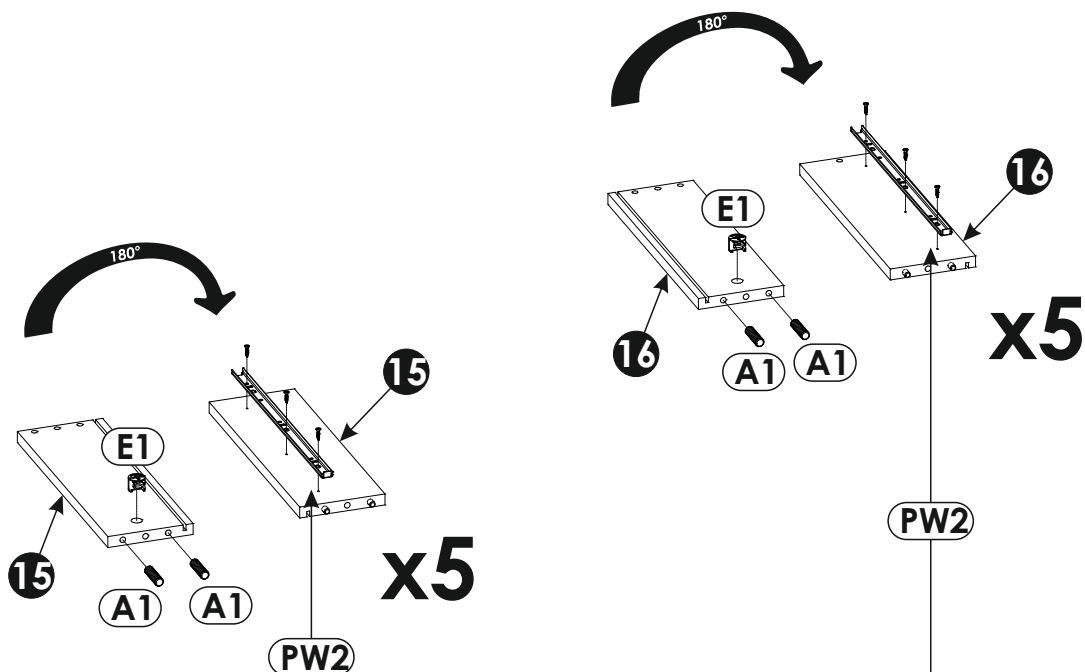
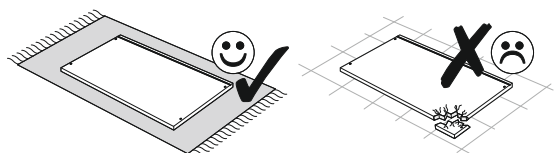
23▶



24▶

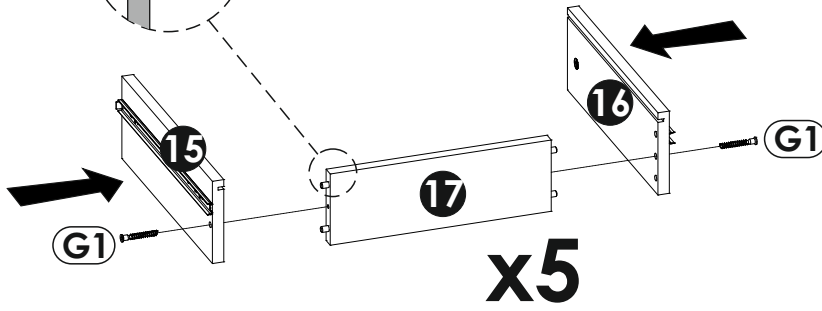
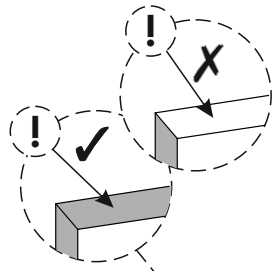
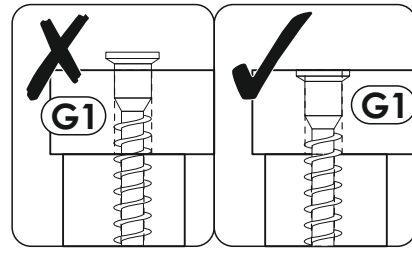
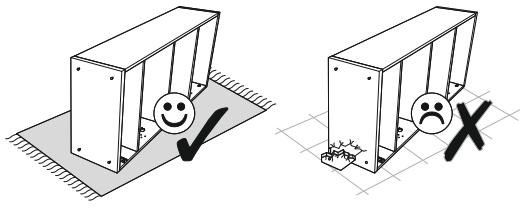


25▶

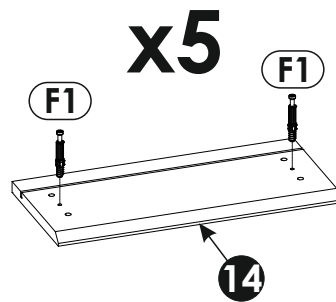
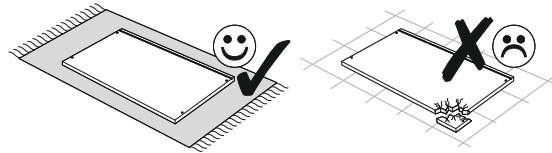




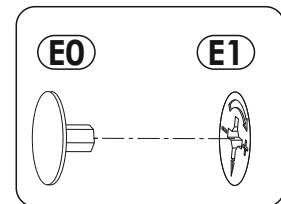
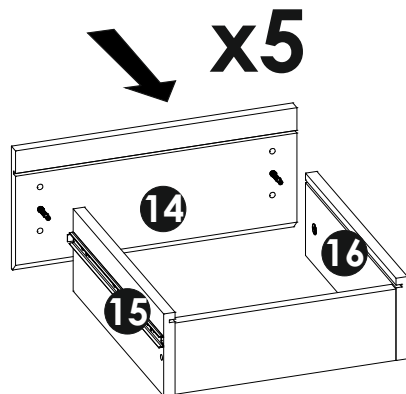
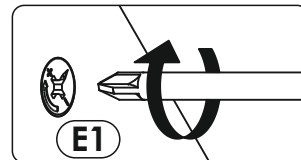
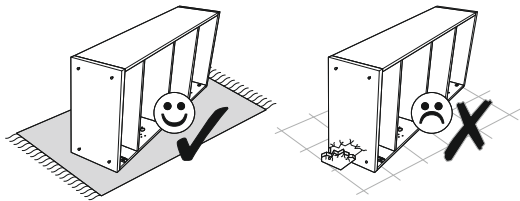
26 ▶



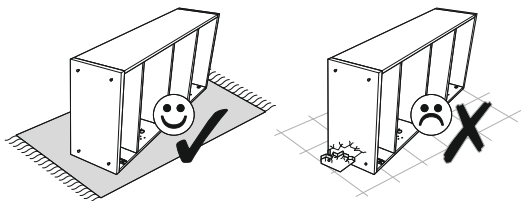
27 ▶



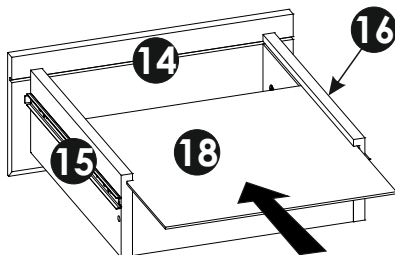
28 ▶



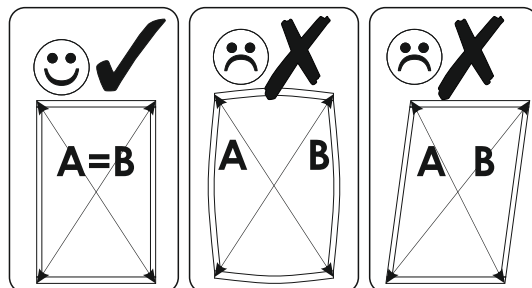
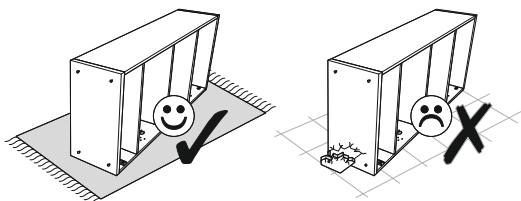
29 ▶



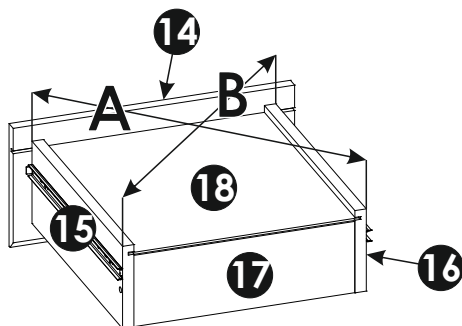
x5



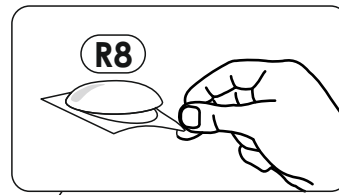
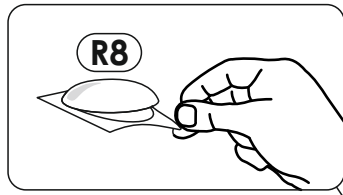
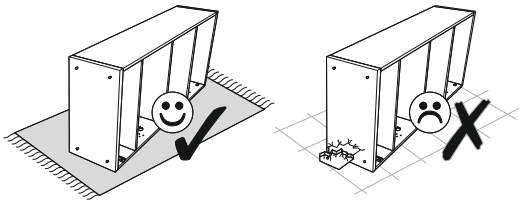
30 ▶



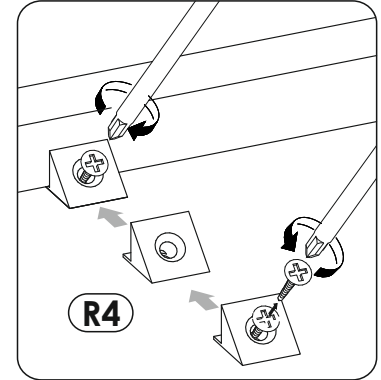
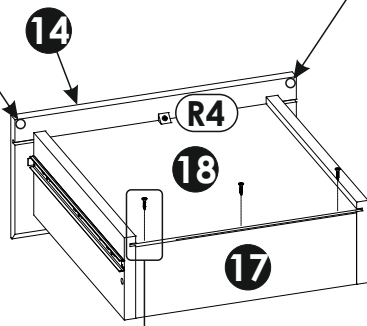
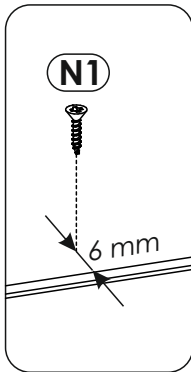
x5



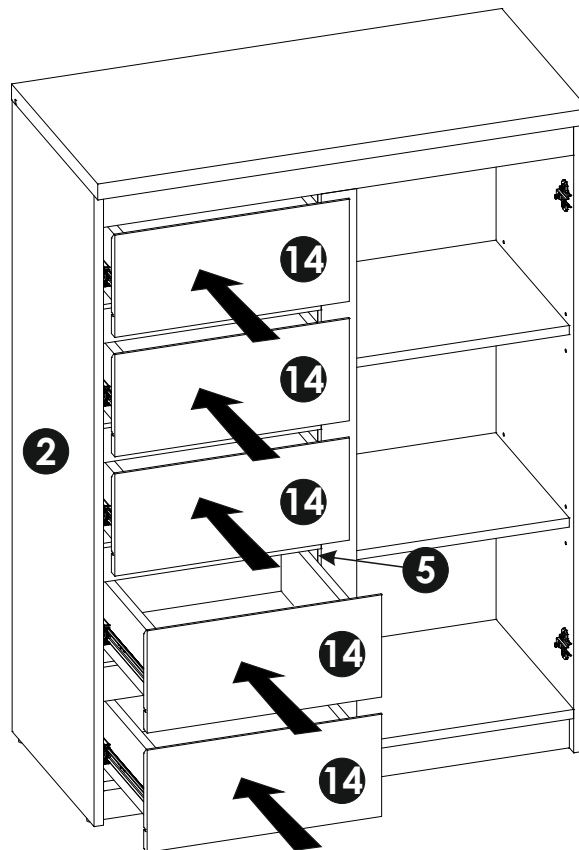
31▶

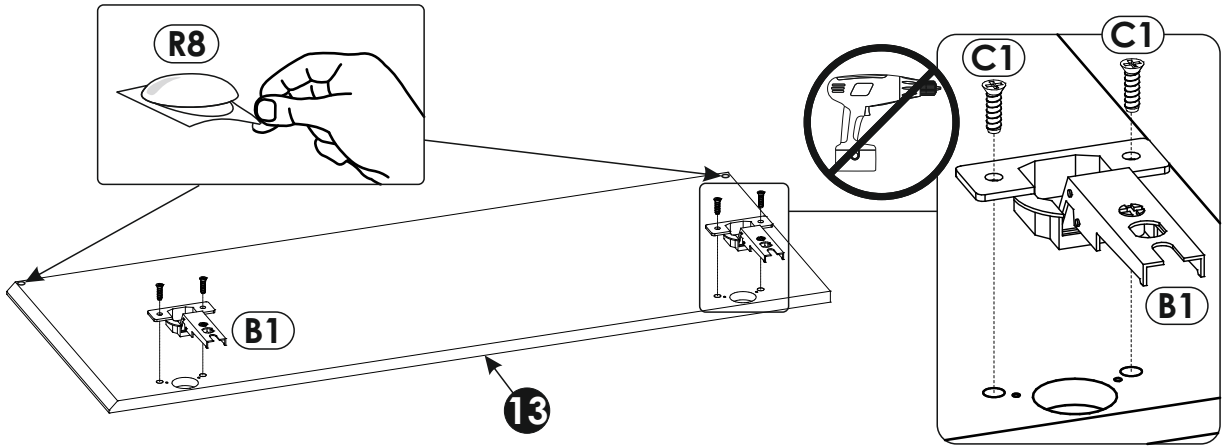
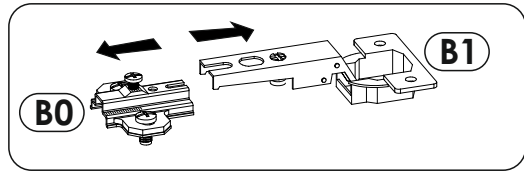
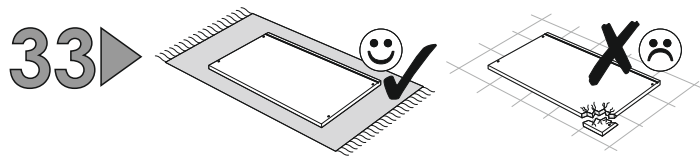


x5

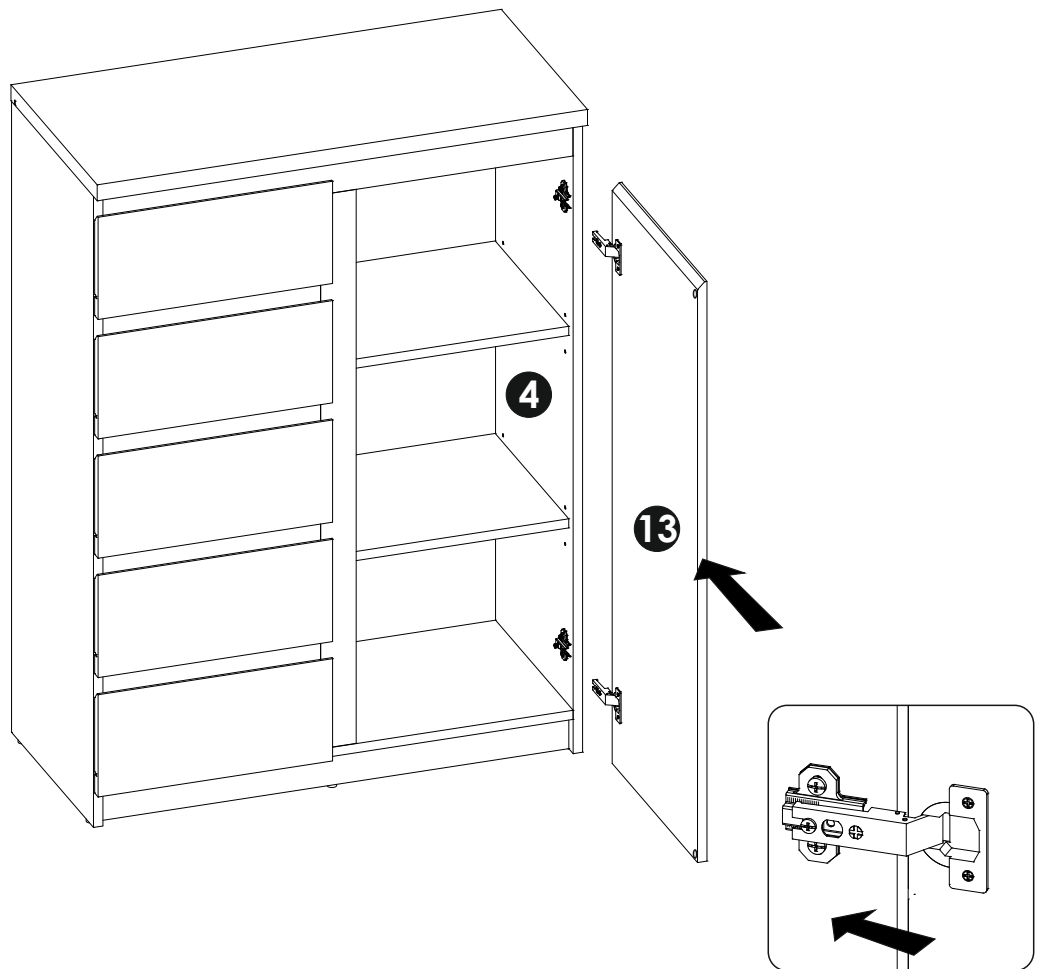


32▶

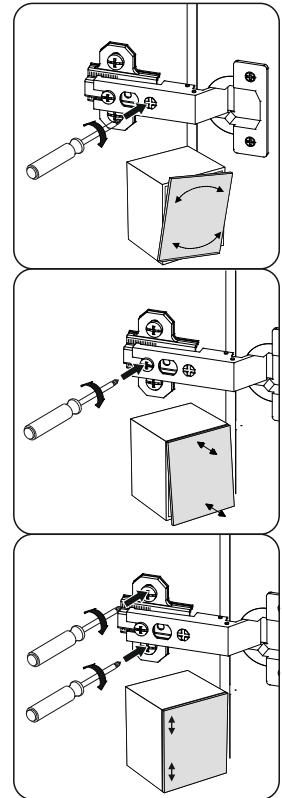
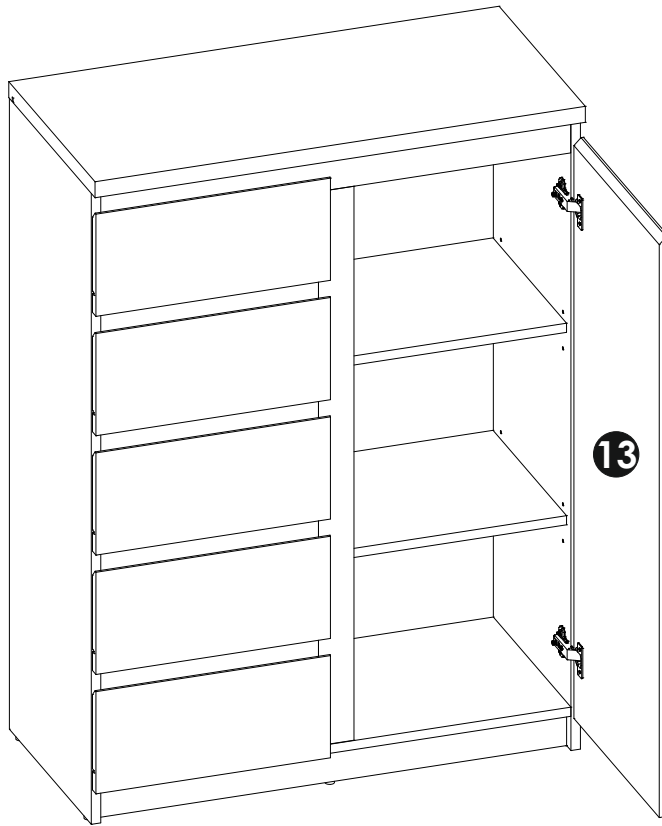




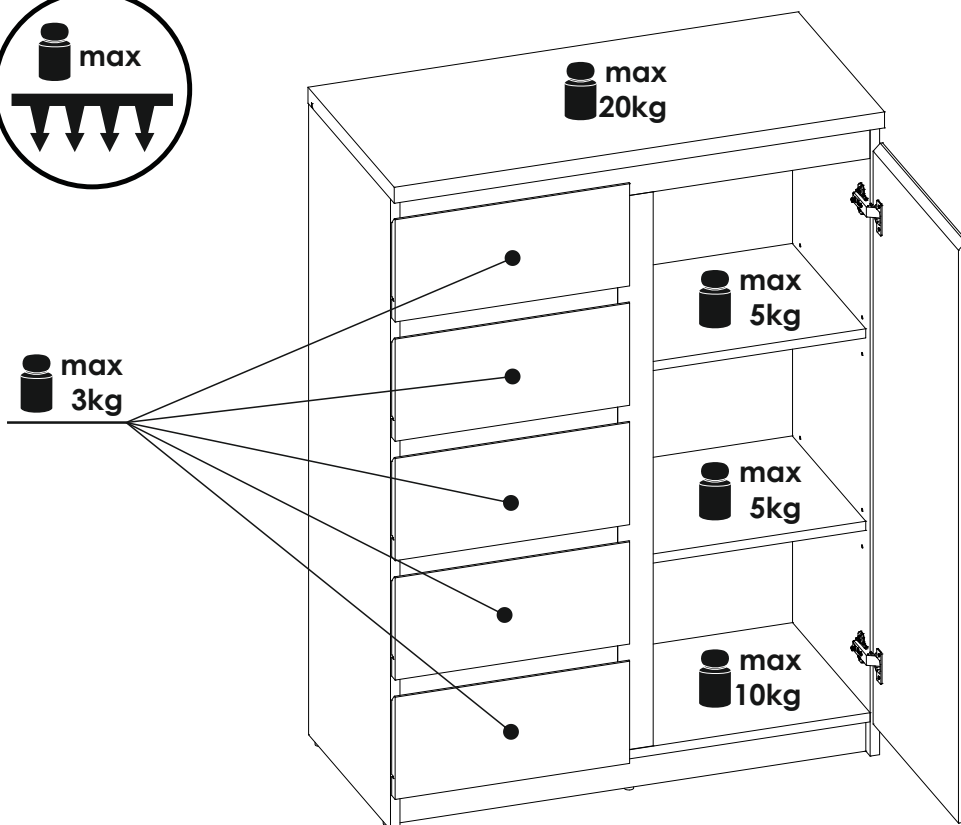
**34** ▶

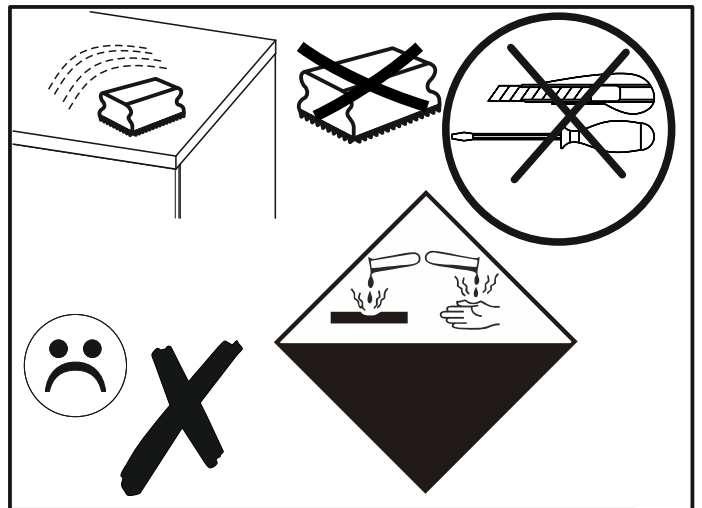
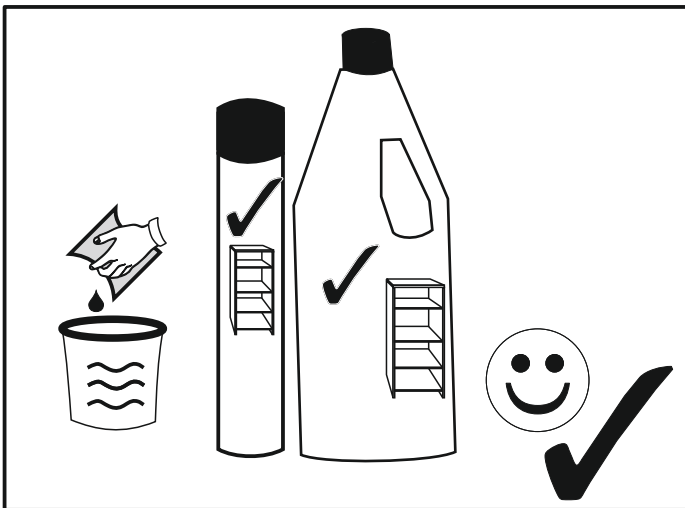
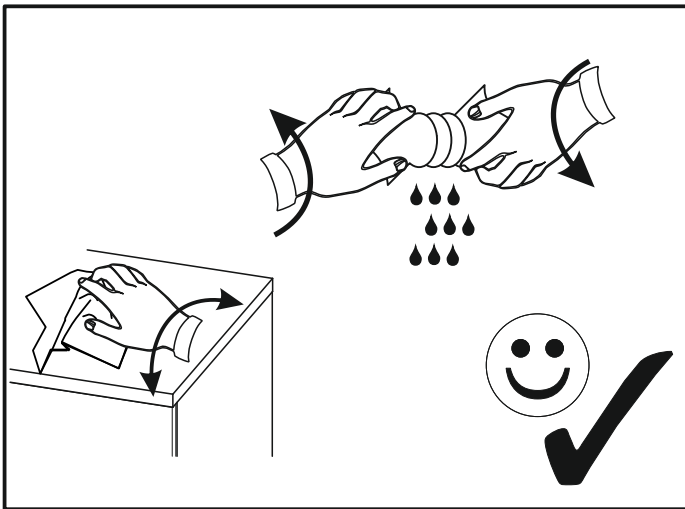
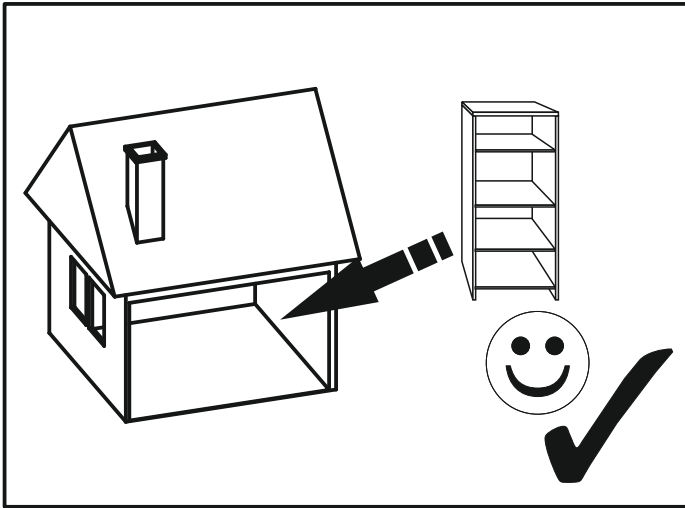


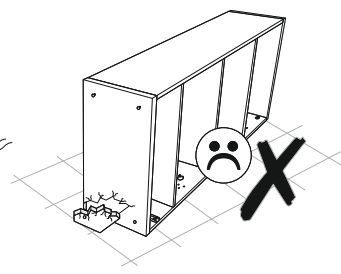
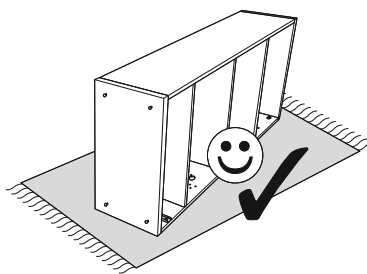
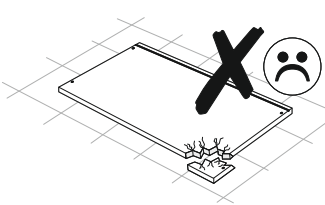
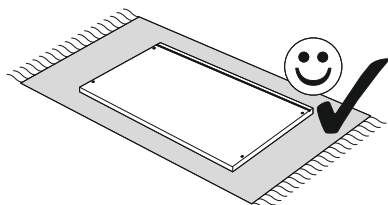
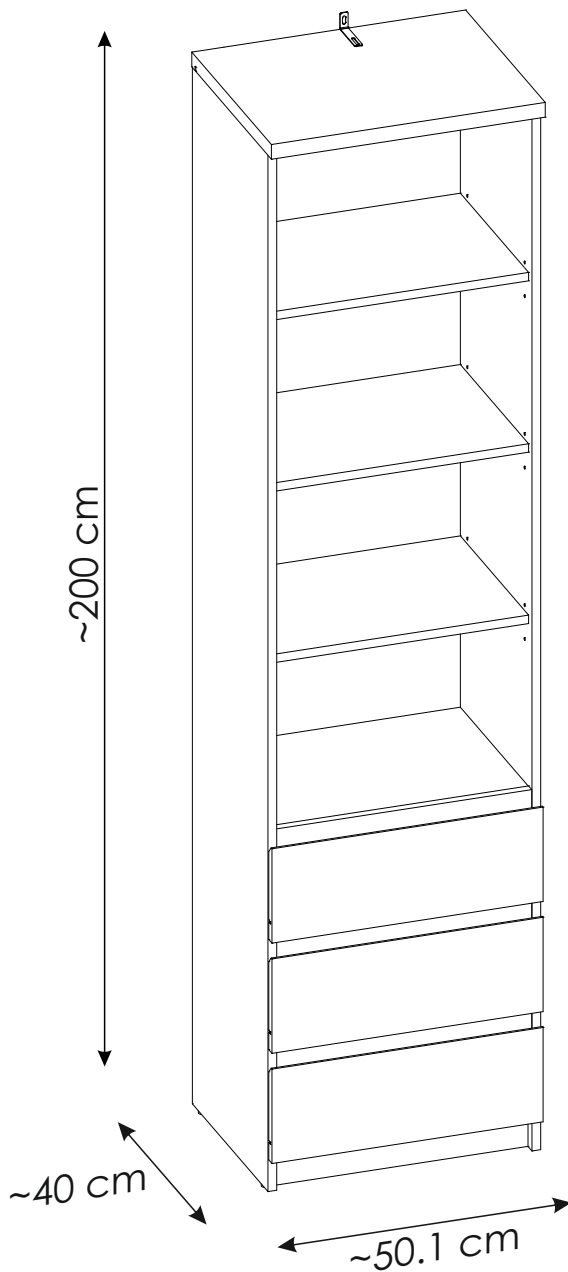
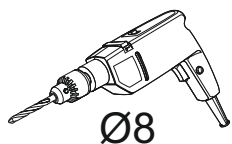
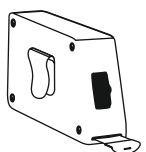
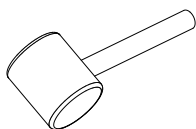
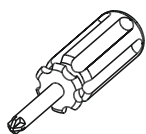
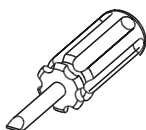
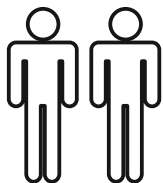
35▶



36▶

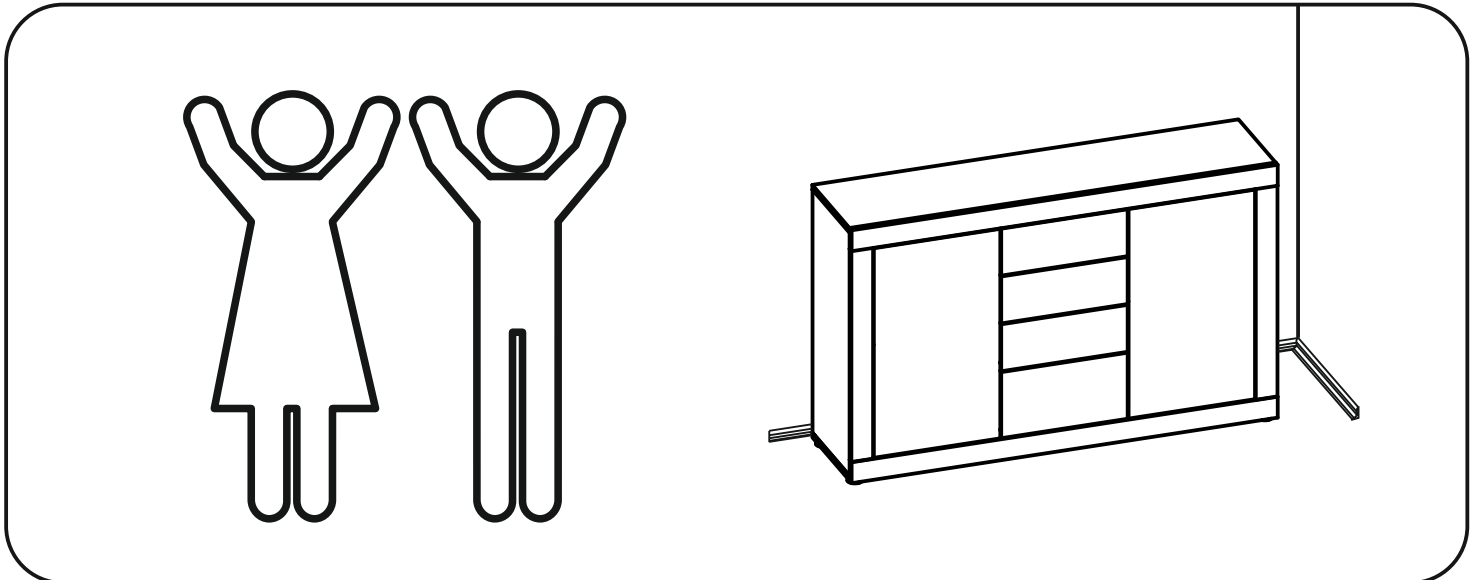
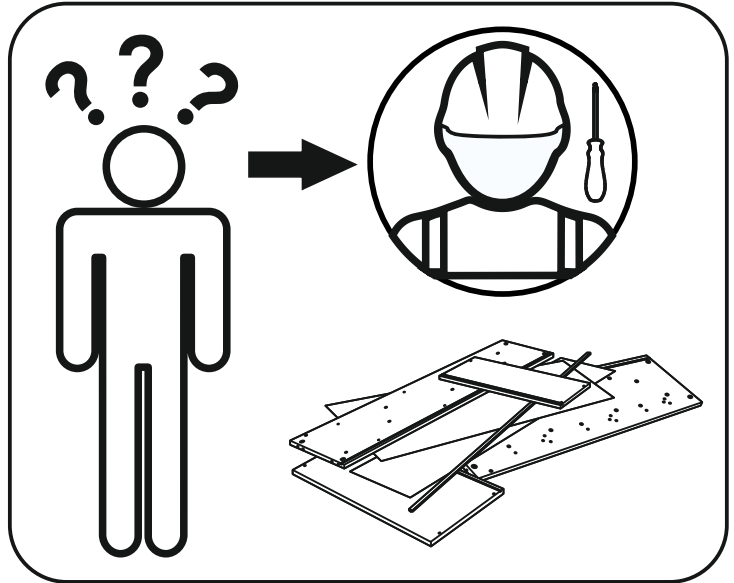
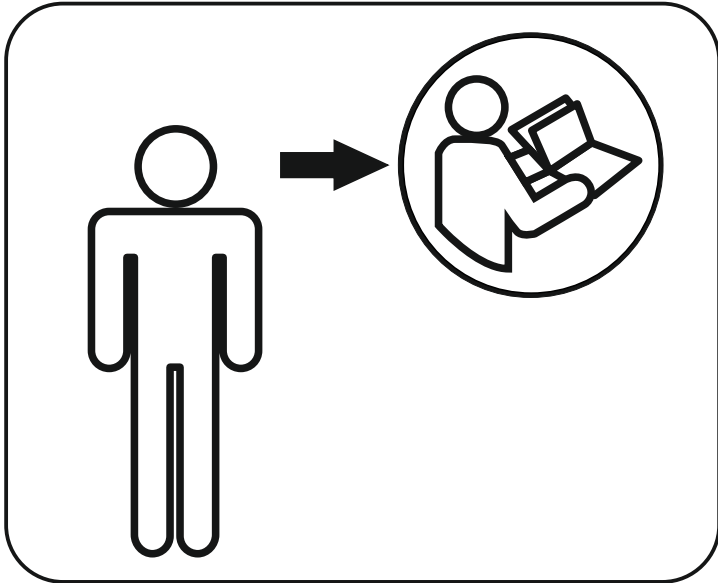
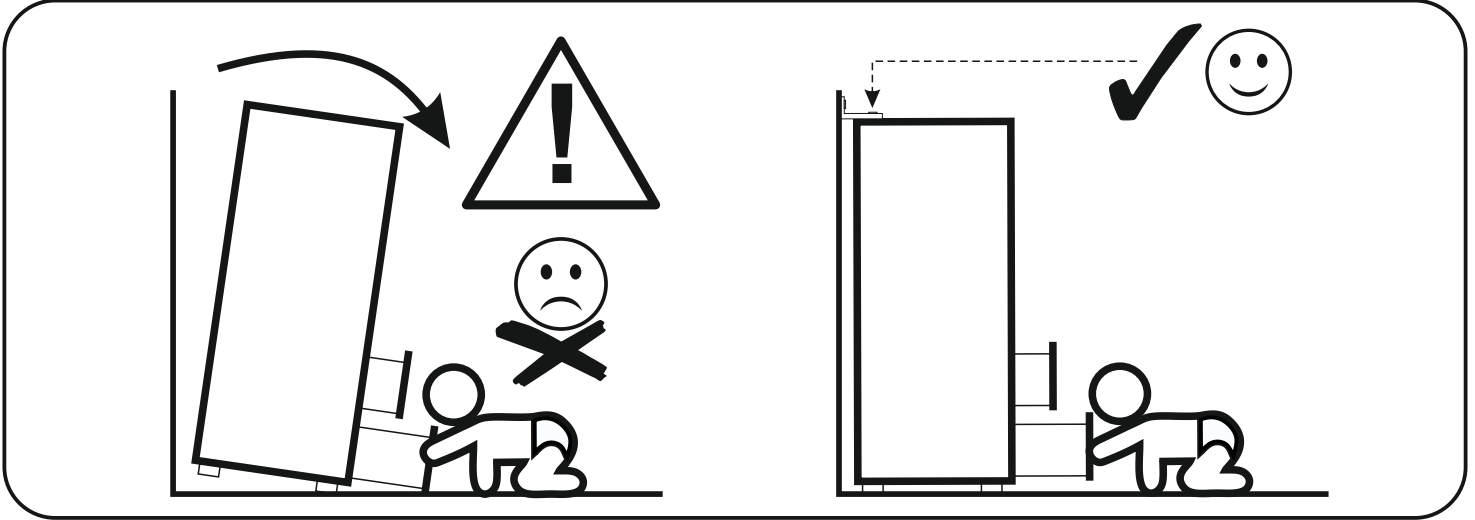
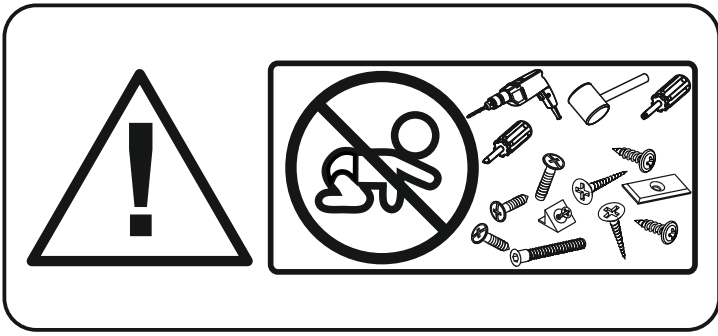




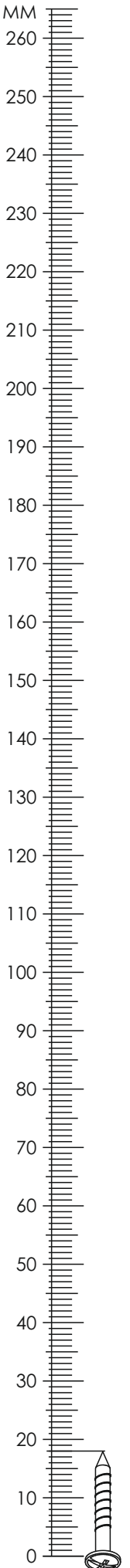


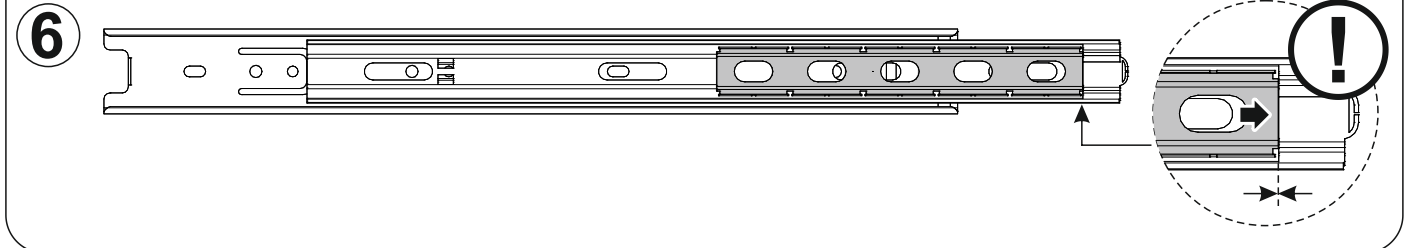
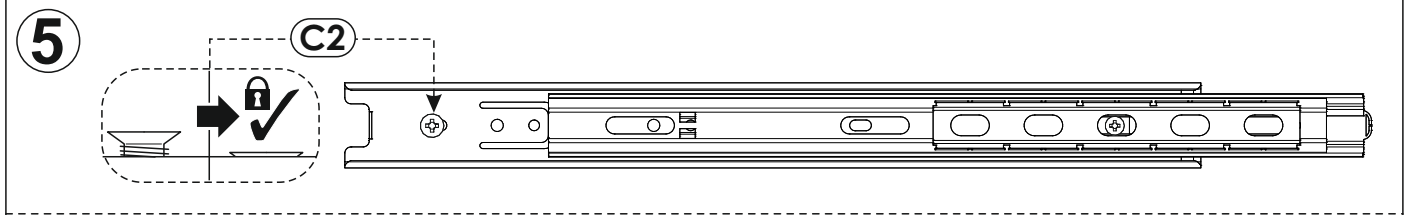
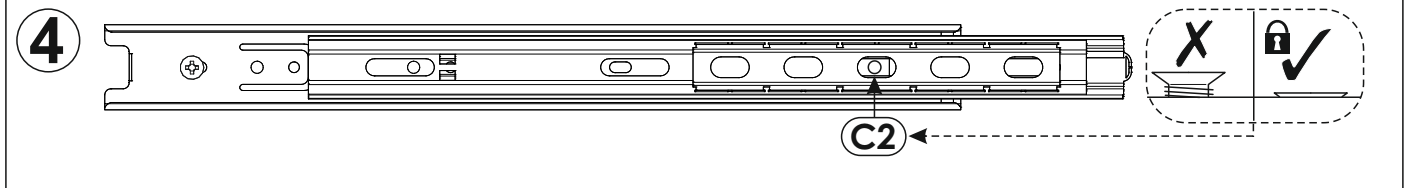
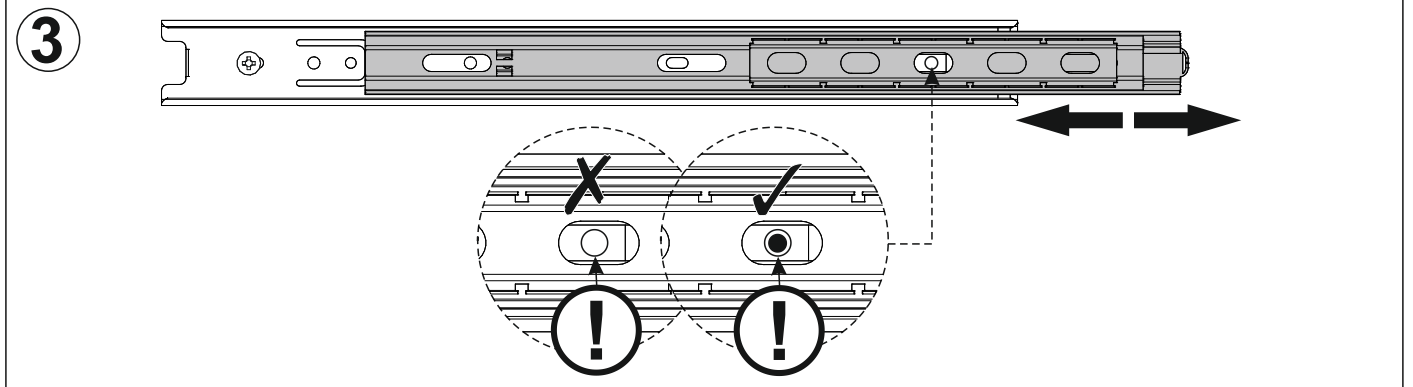
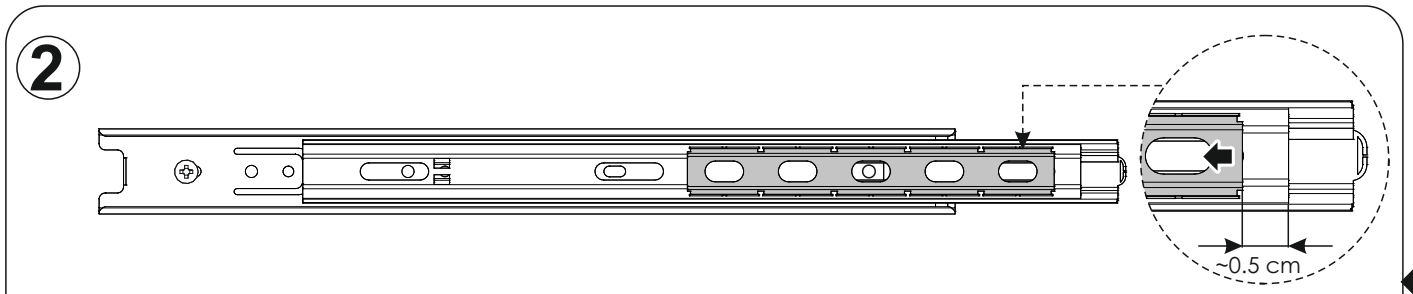
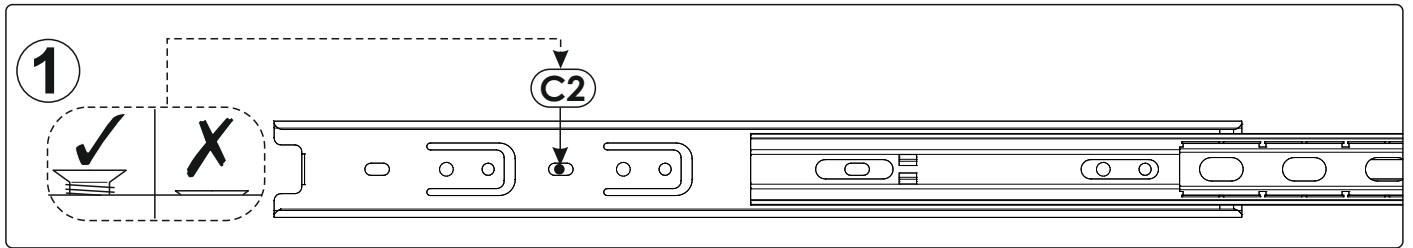
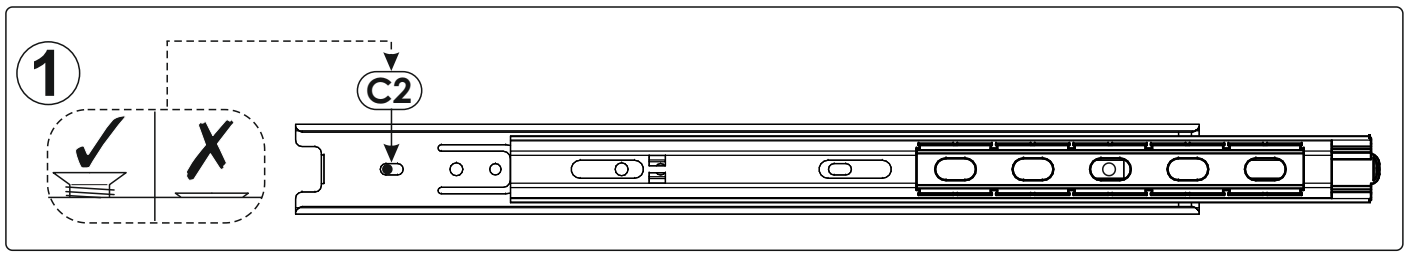


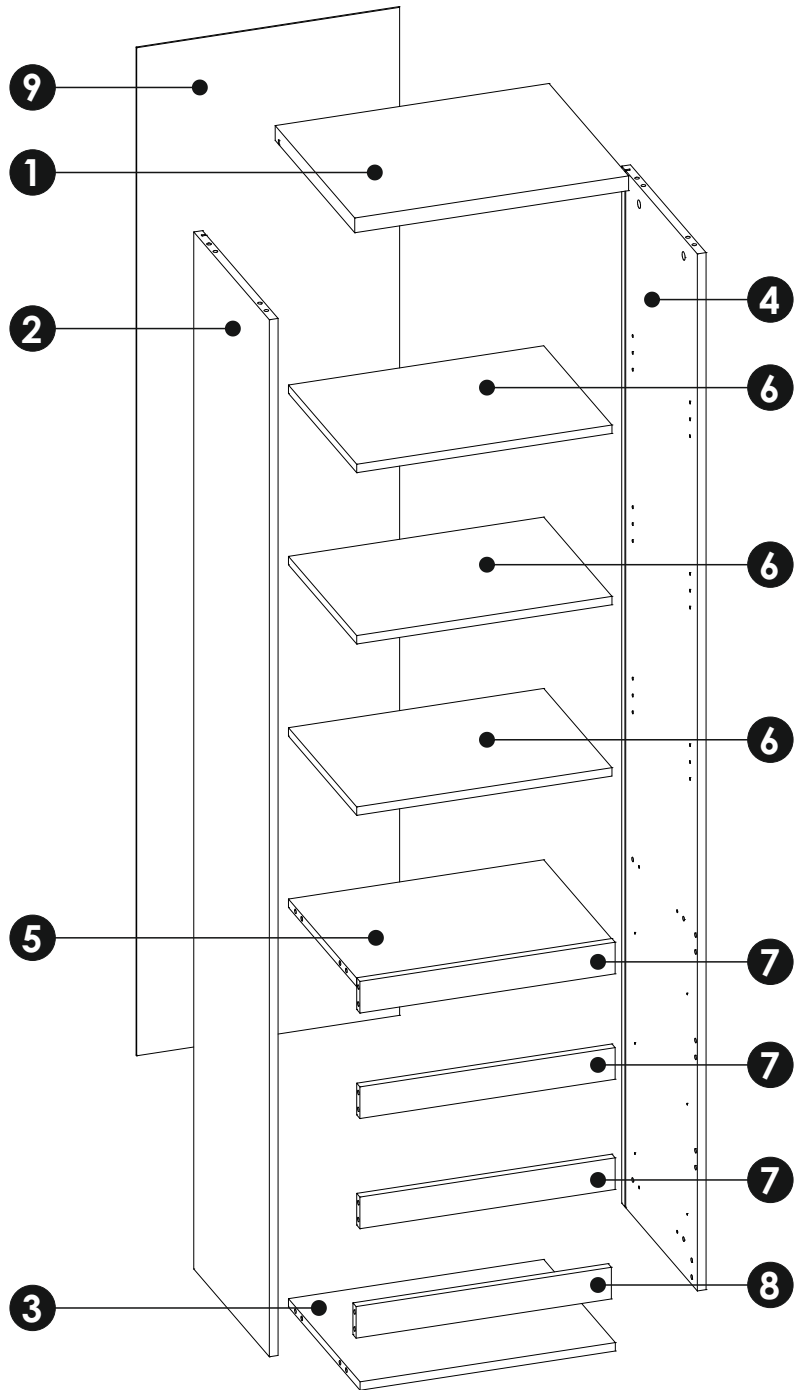
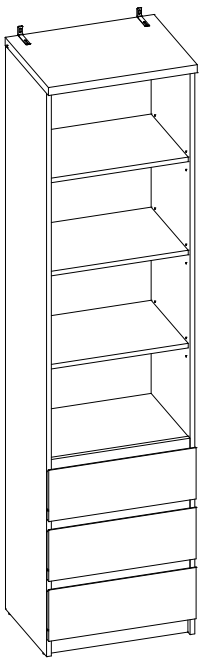




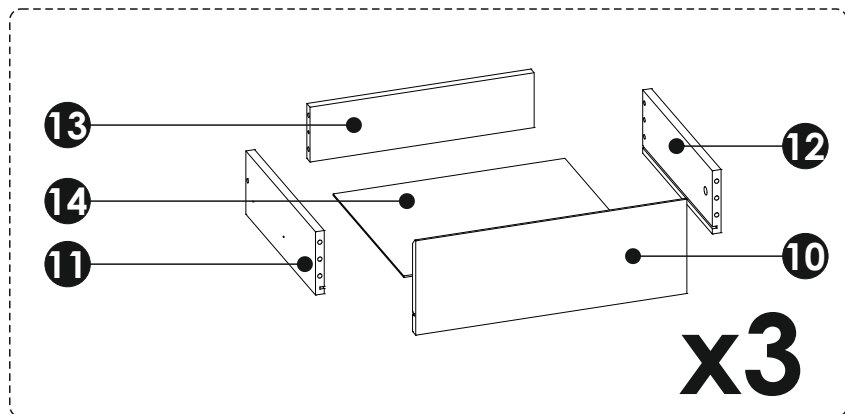
<b>A1</b>	8 x 35 mm	x52	<b>C2</b>	5 x 13 mm	x12	<b>D6</b>		x12
<b>E0</b>		x10	<b>E1</b>	15 x 12 mm	x18	<b>F1</b>	6 x 34 mm	x18
<b>G1</b>	7 x 50 mm	x6	<b>I2</b>	4 x 16 mm	x1	<b>J4</b>	3,5 x 16 mm	x18
<b>M</b>		x1	<b>N1</b>	3 X 16 mm	x20	<b>O2</b>		x4
<b>PW</b>	L - 350 mm	x6	<b>Q9</b>		x1	<b>R4</b>		x14
<b>R8</b>		x6	<b>S13</b>		x1	<b>Z</b>		x1

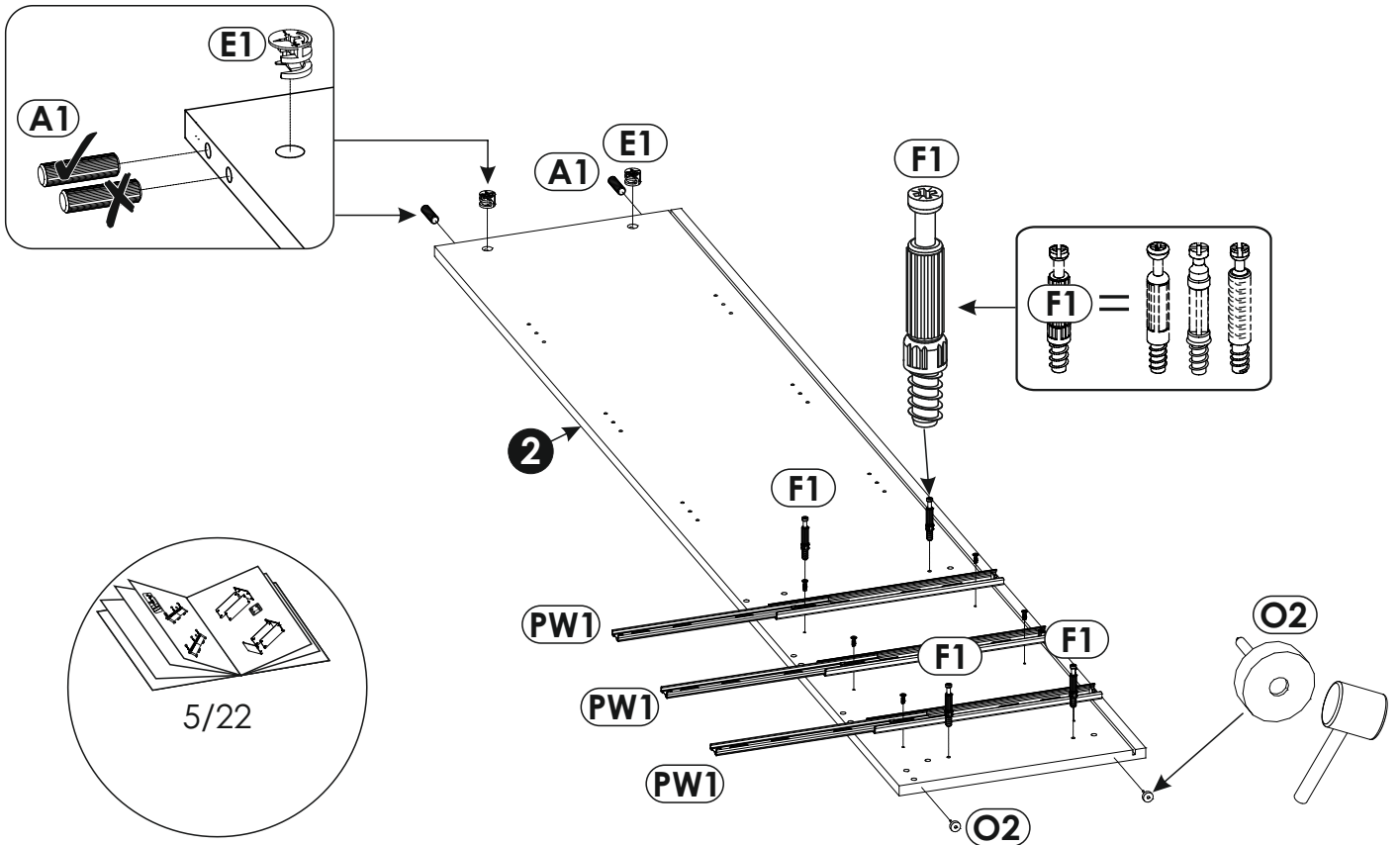
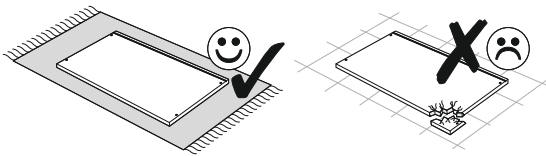
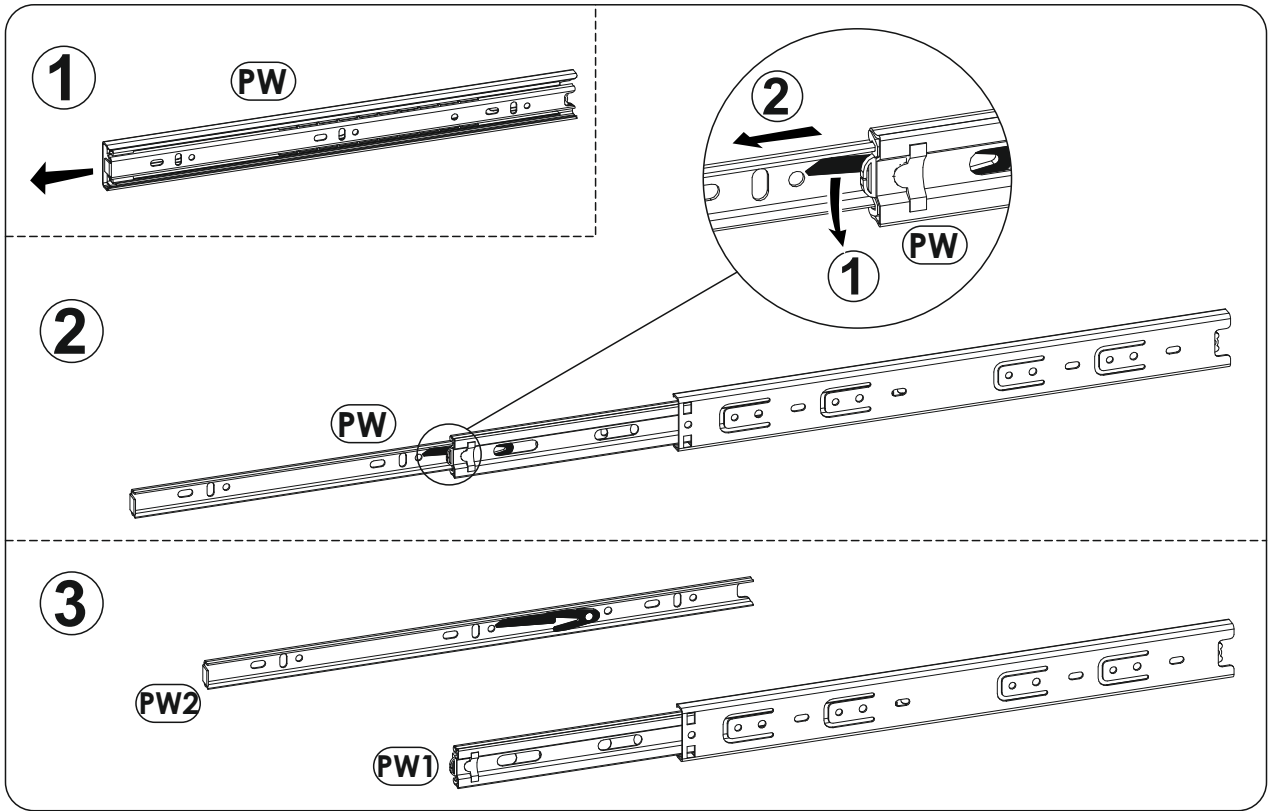




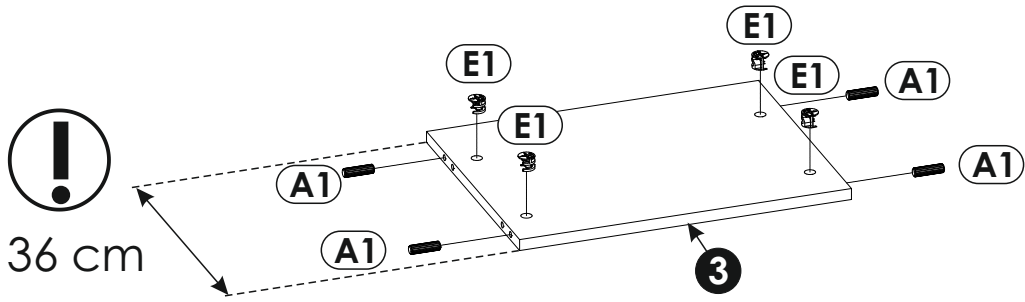
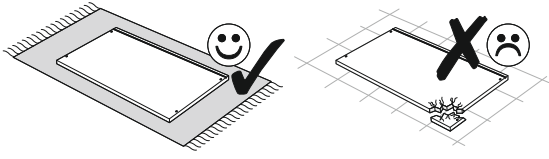


1	501	400	28	x1	1/2
2	1967	380	16	x1	2/2
3	467	360	16	x1	1/2
4	1967	380	16	x1	2/2
5	467	343	16	x1	2/2
6	467	343	16	x3	2/2
7	467	60	16	x3	1/2
8	467	60	16	x1	1/2
9	1912	481	3	x1	2/2
10	496	179	16	x3	1/2
11	350	120	16	x3	1/2
12	350	120	16	x3	1/2
13	410	104	16	x3	1/2
14	424	355	3	x3	1/2

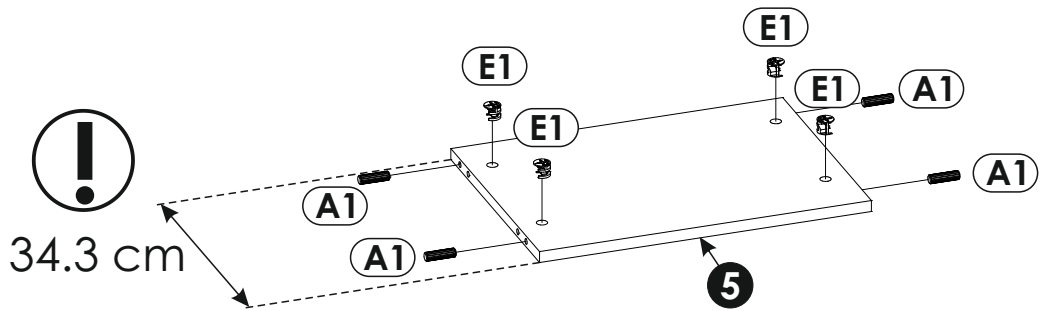
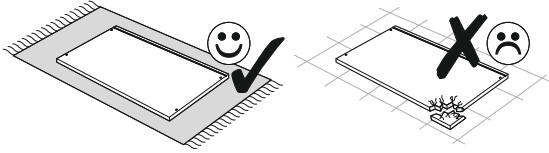


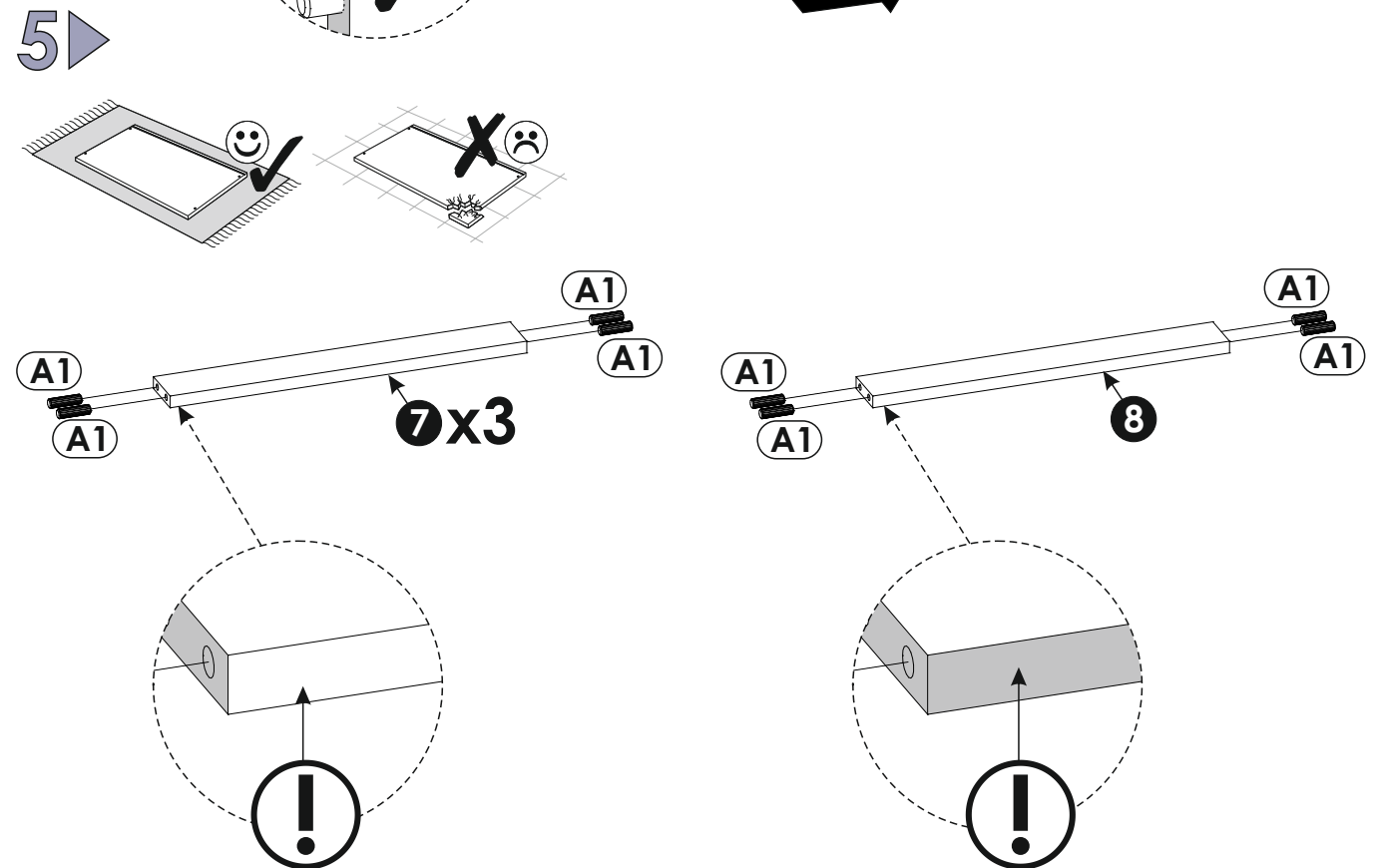
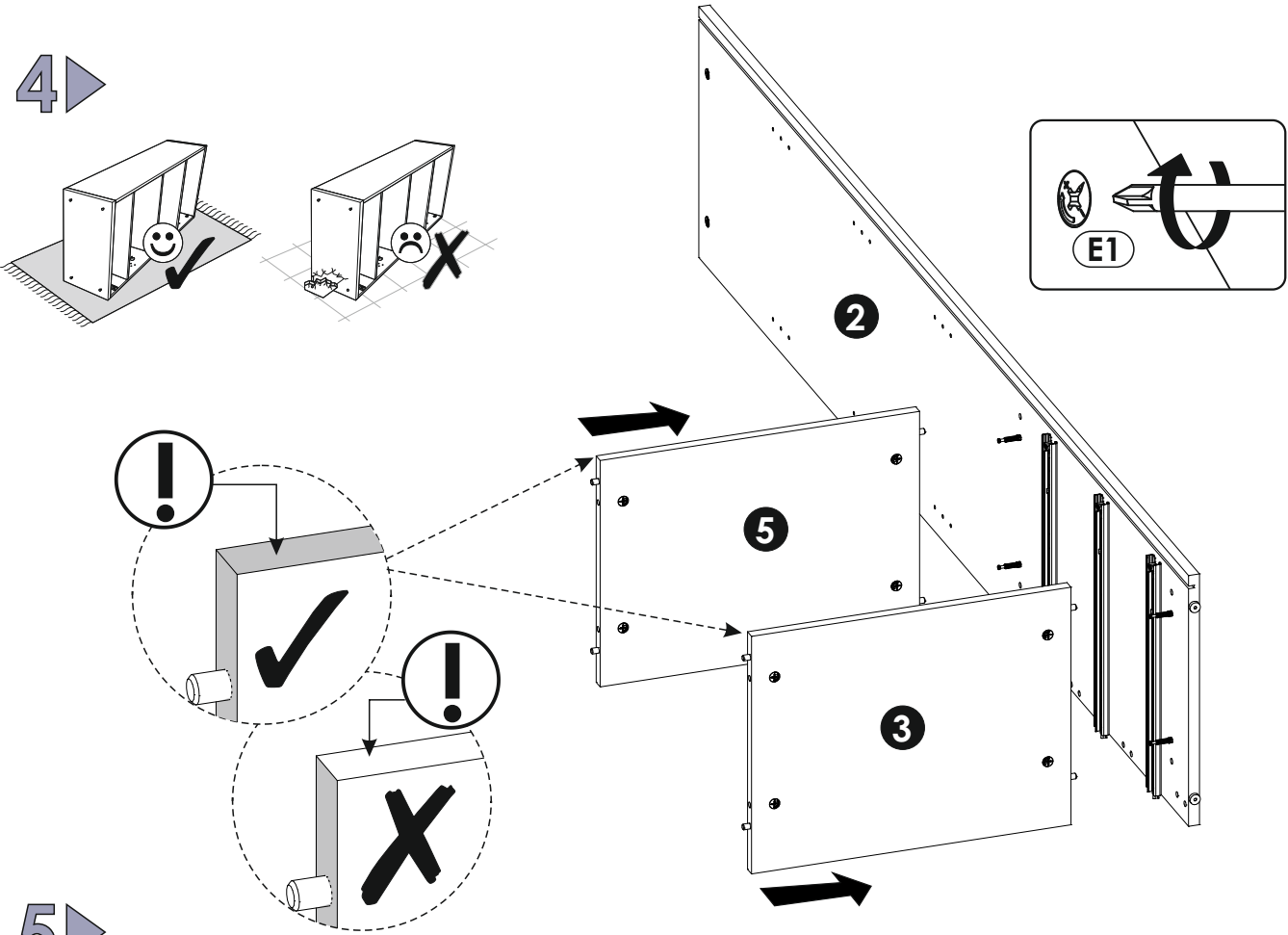
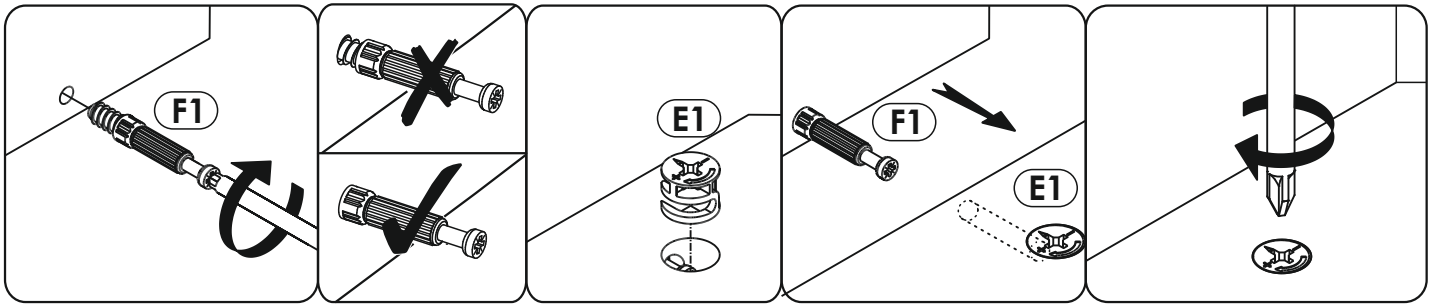


2 ▶

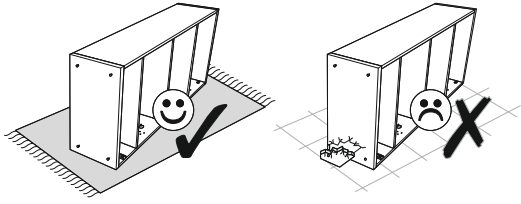


3 ▶

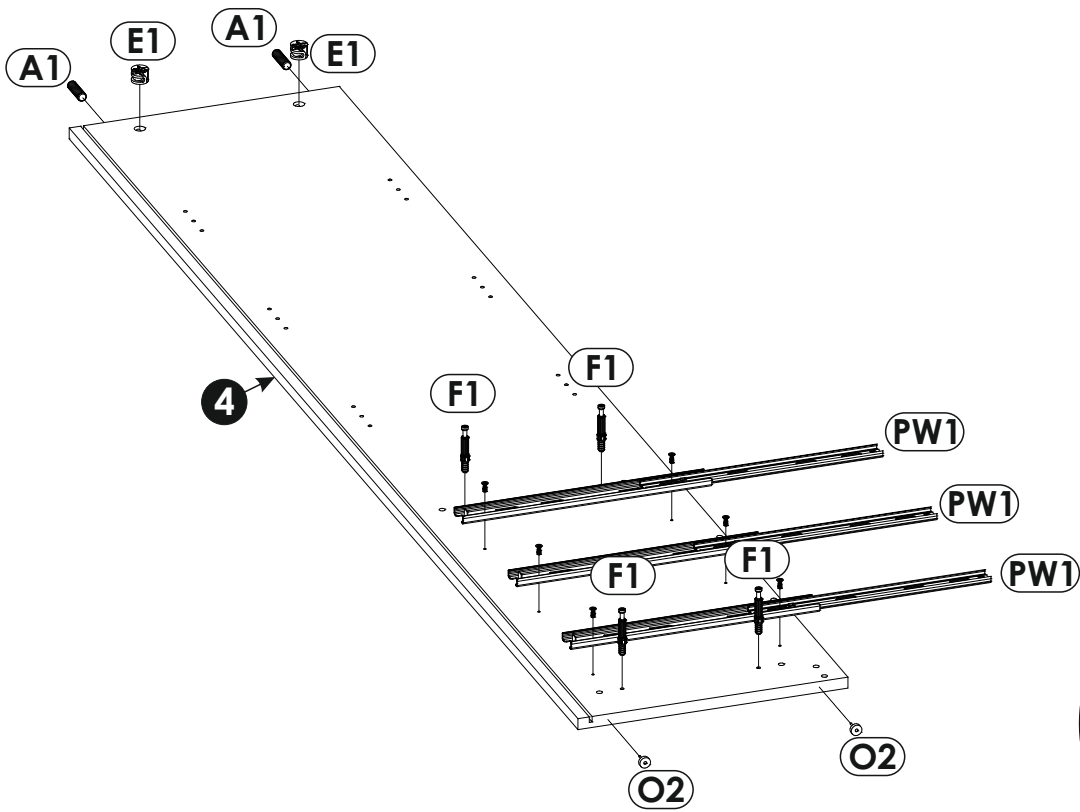
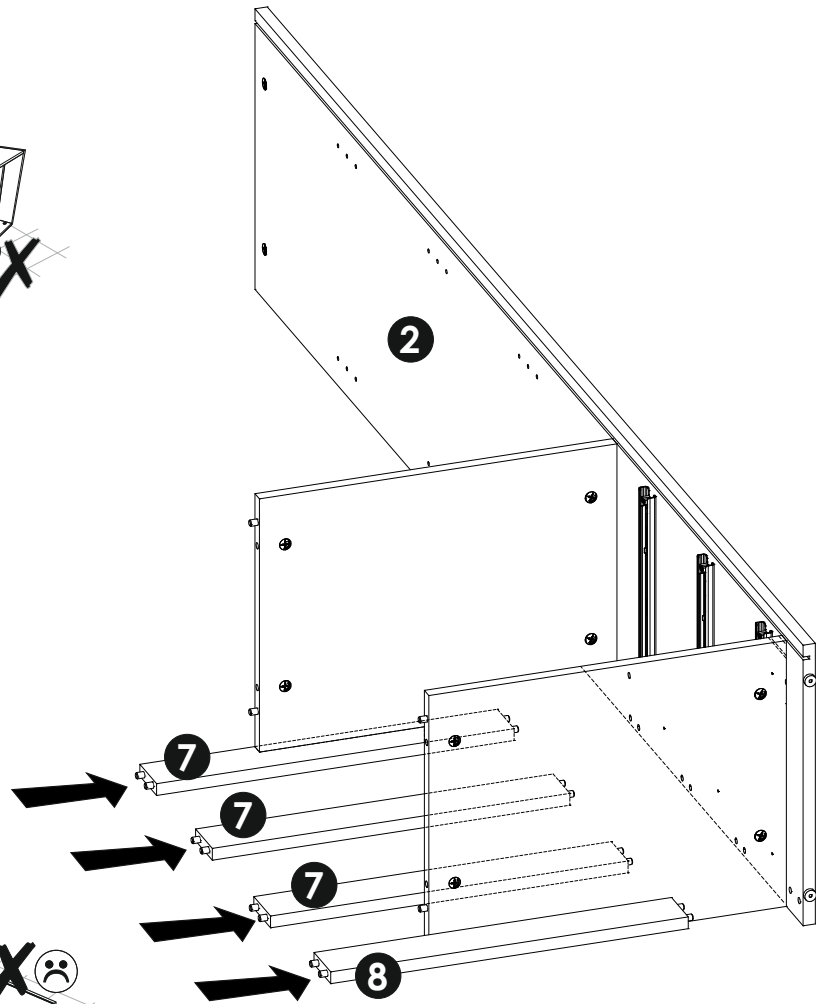
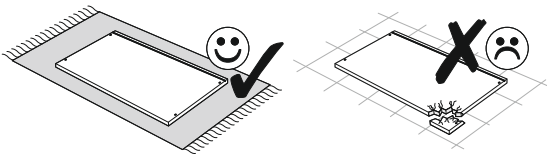




6 ▶

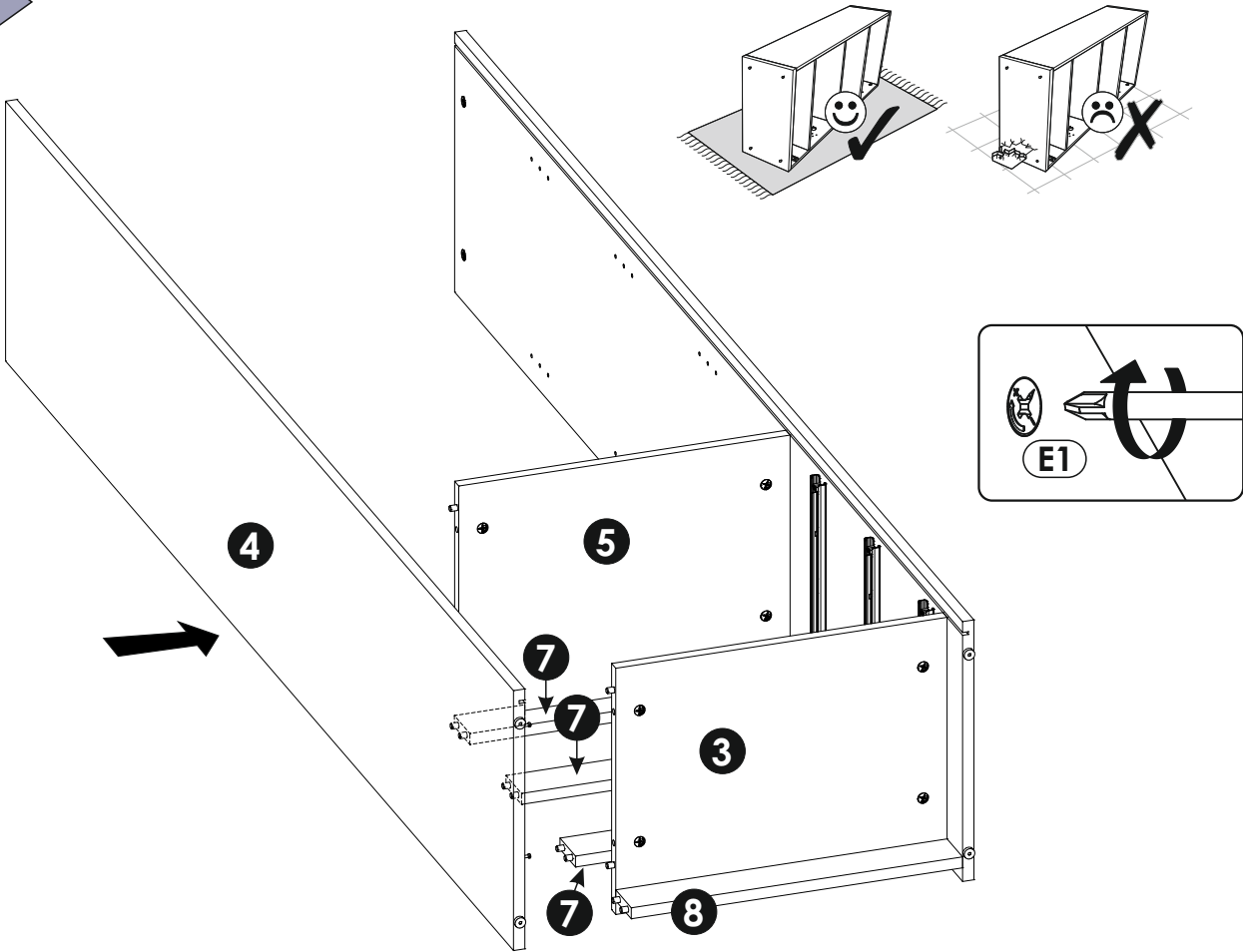


7 ▶

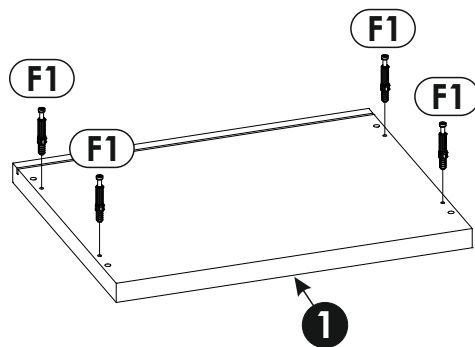
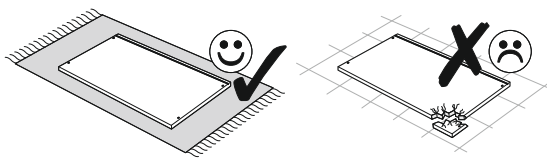




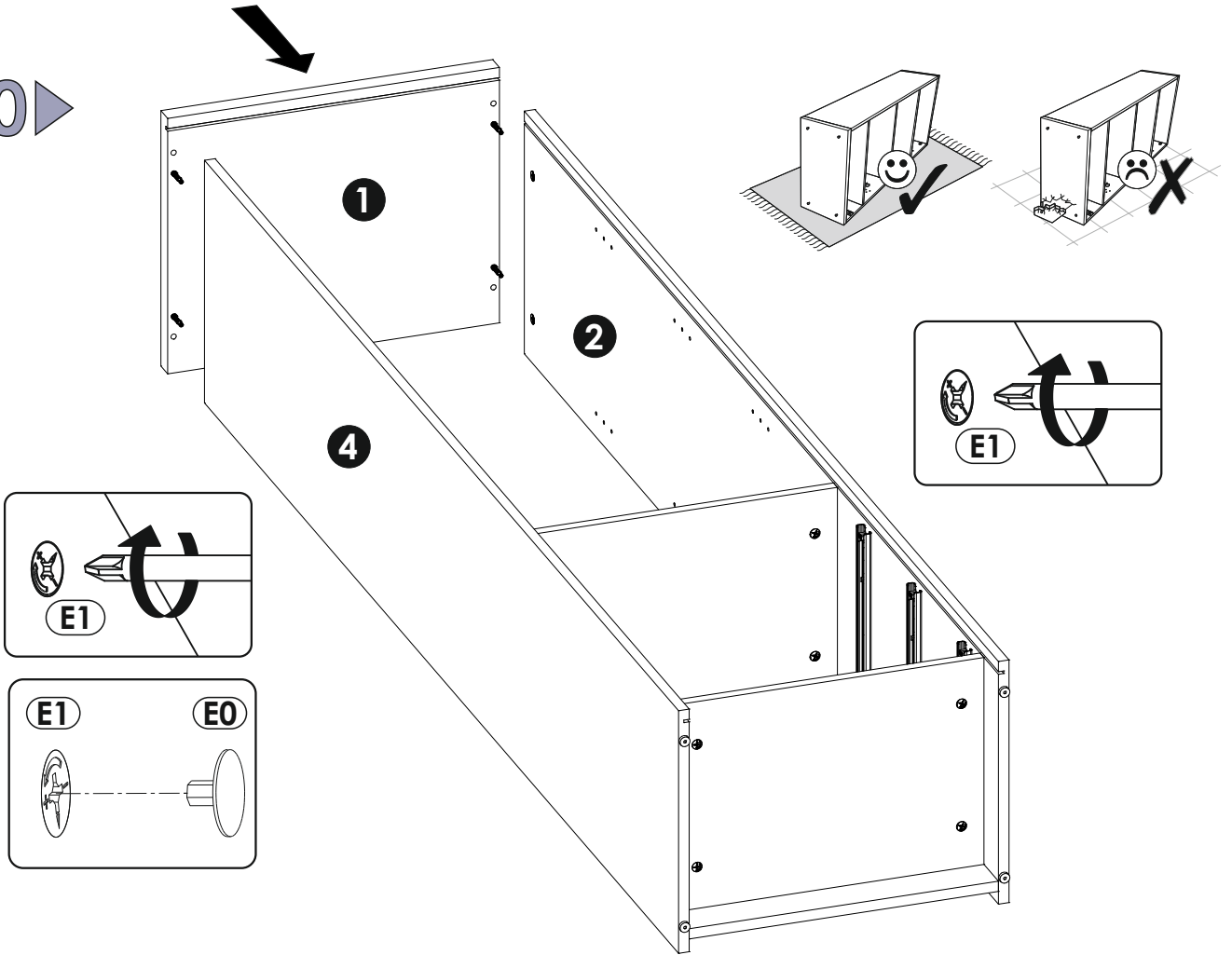
8 ▶



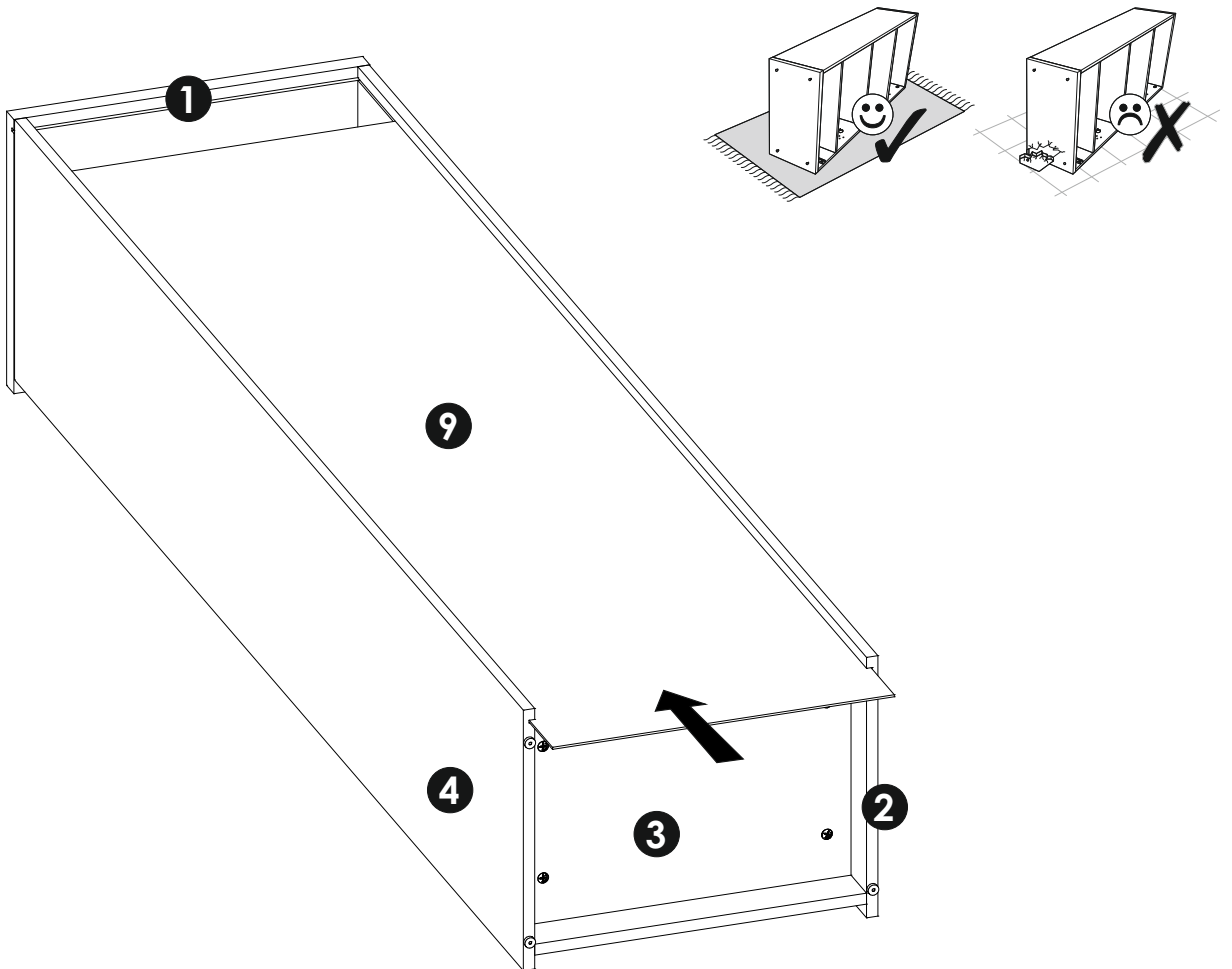
9 ▶



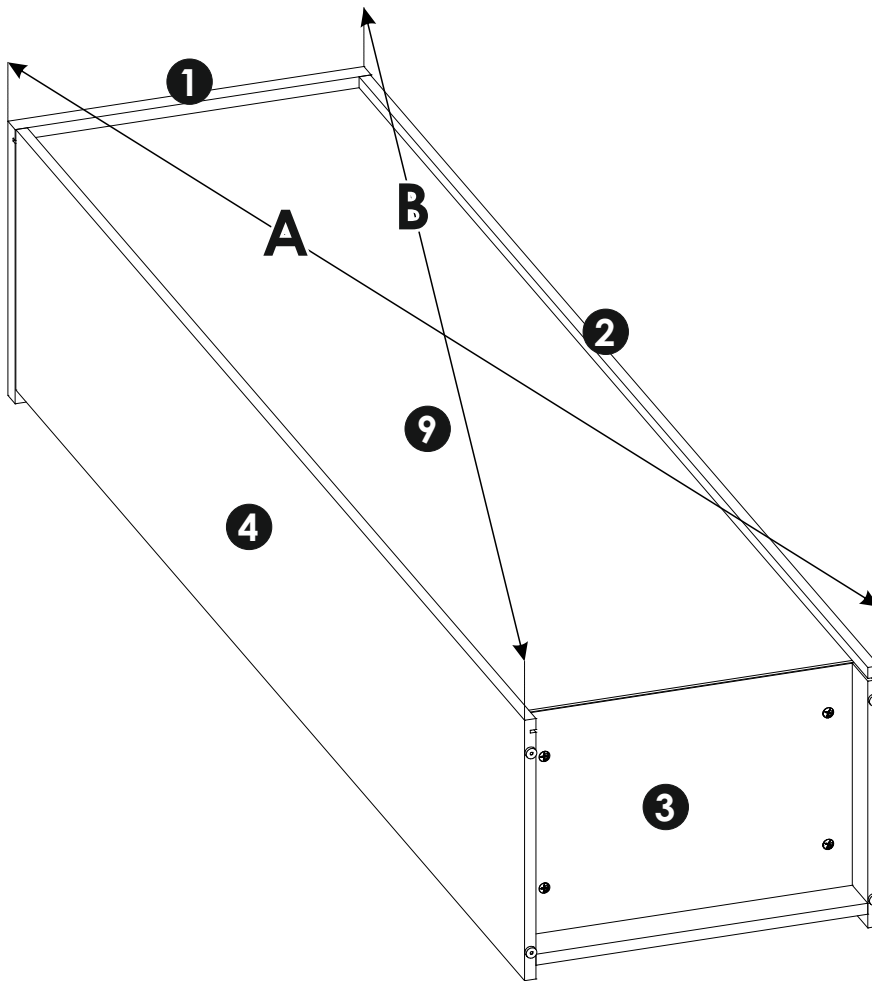
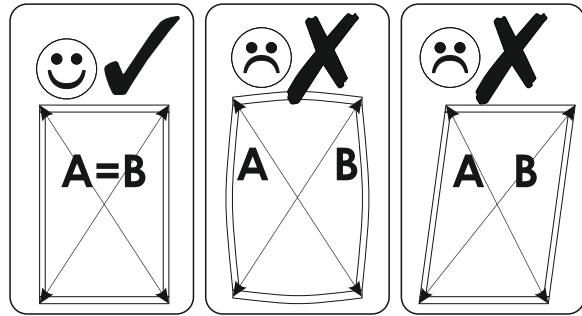
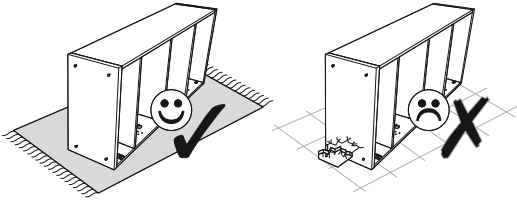
10 ▶



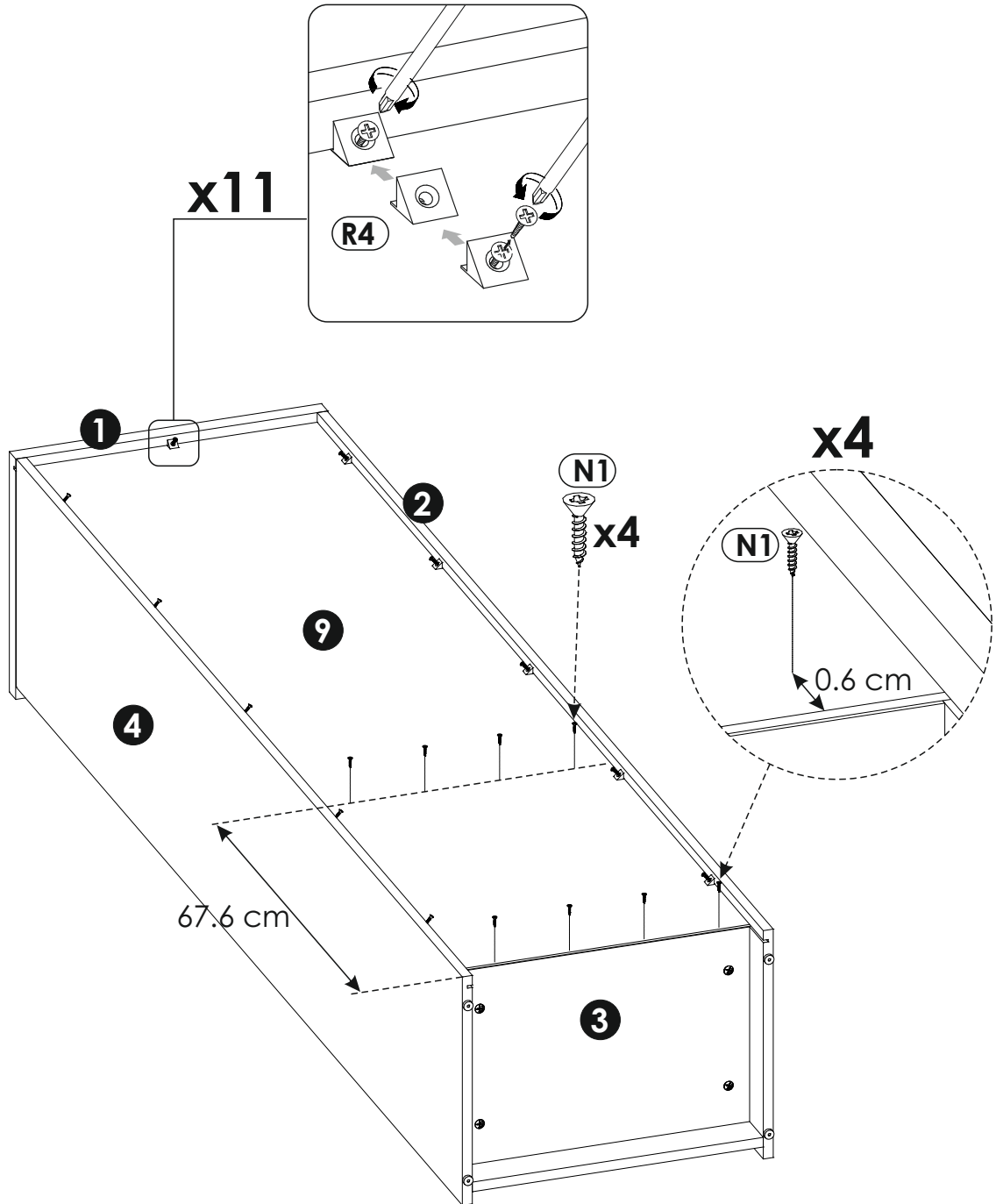
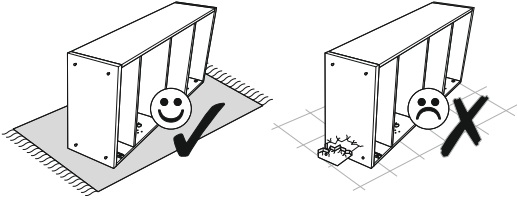
11 ▶



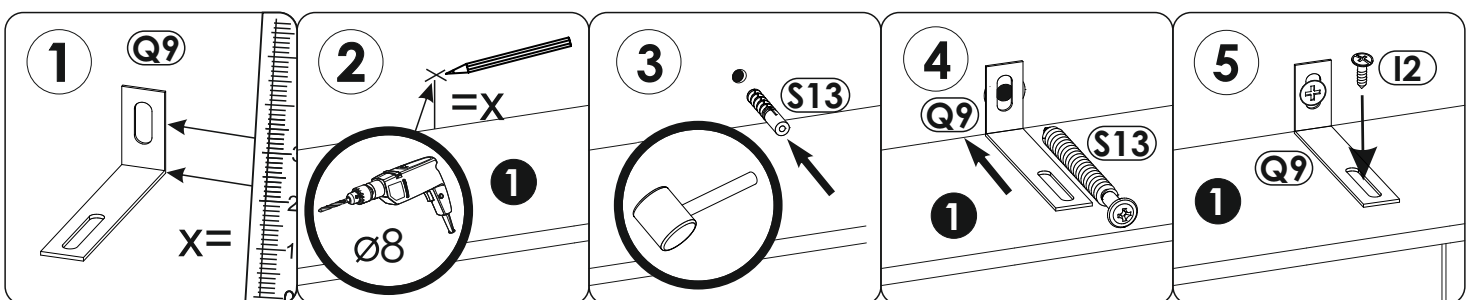
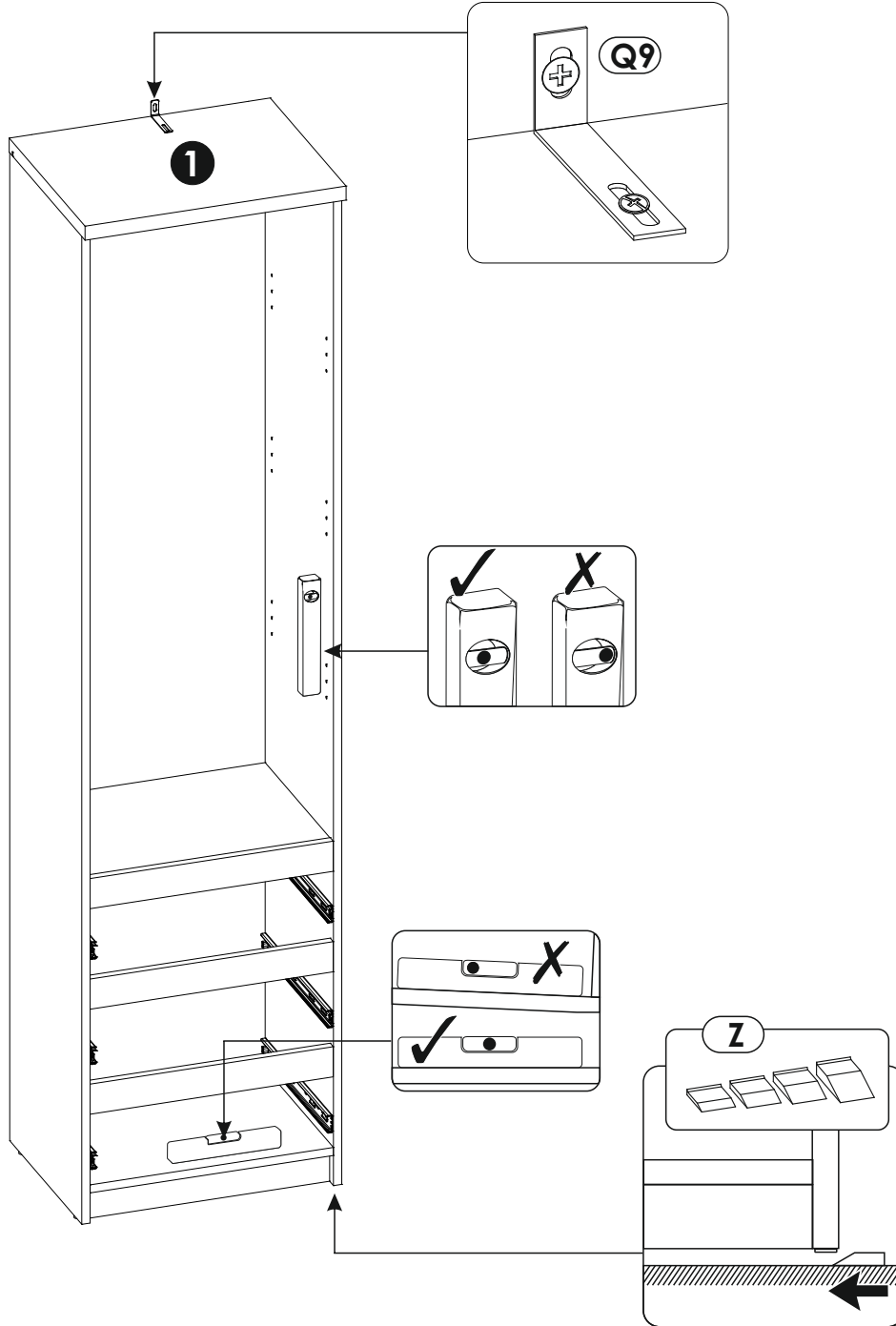
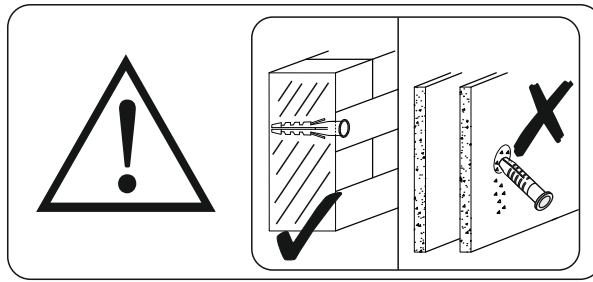
12▶



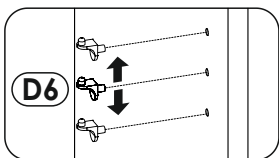
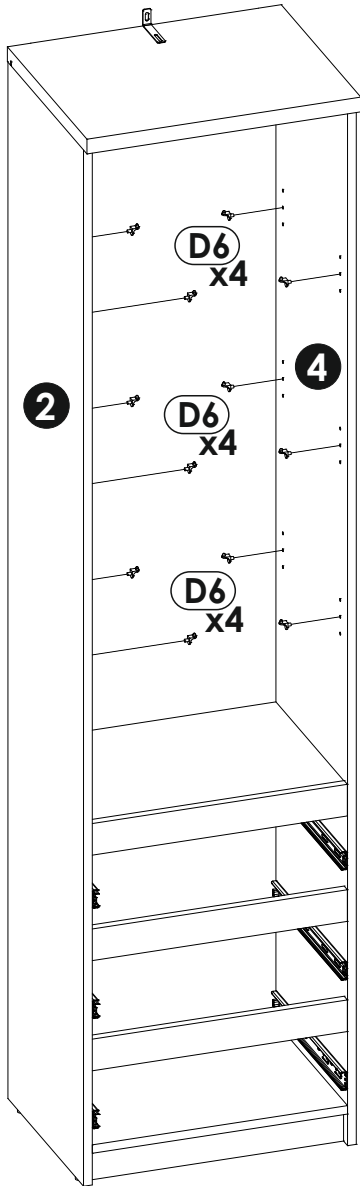
13▶



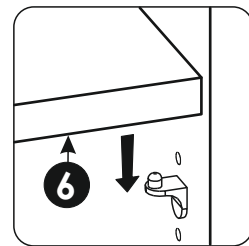
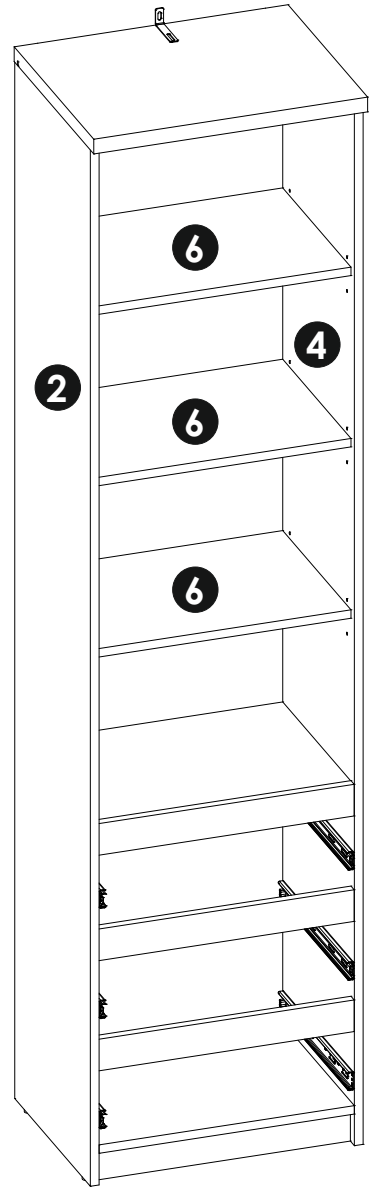
14 ▶



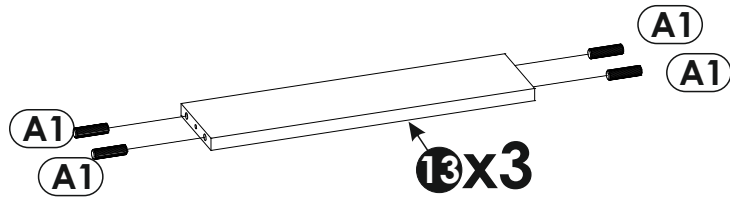
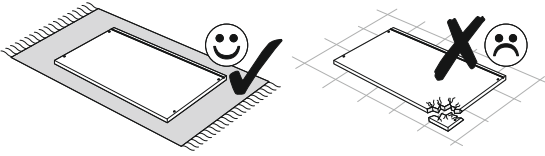
15▶



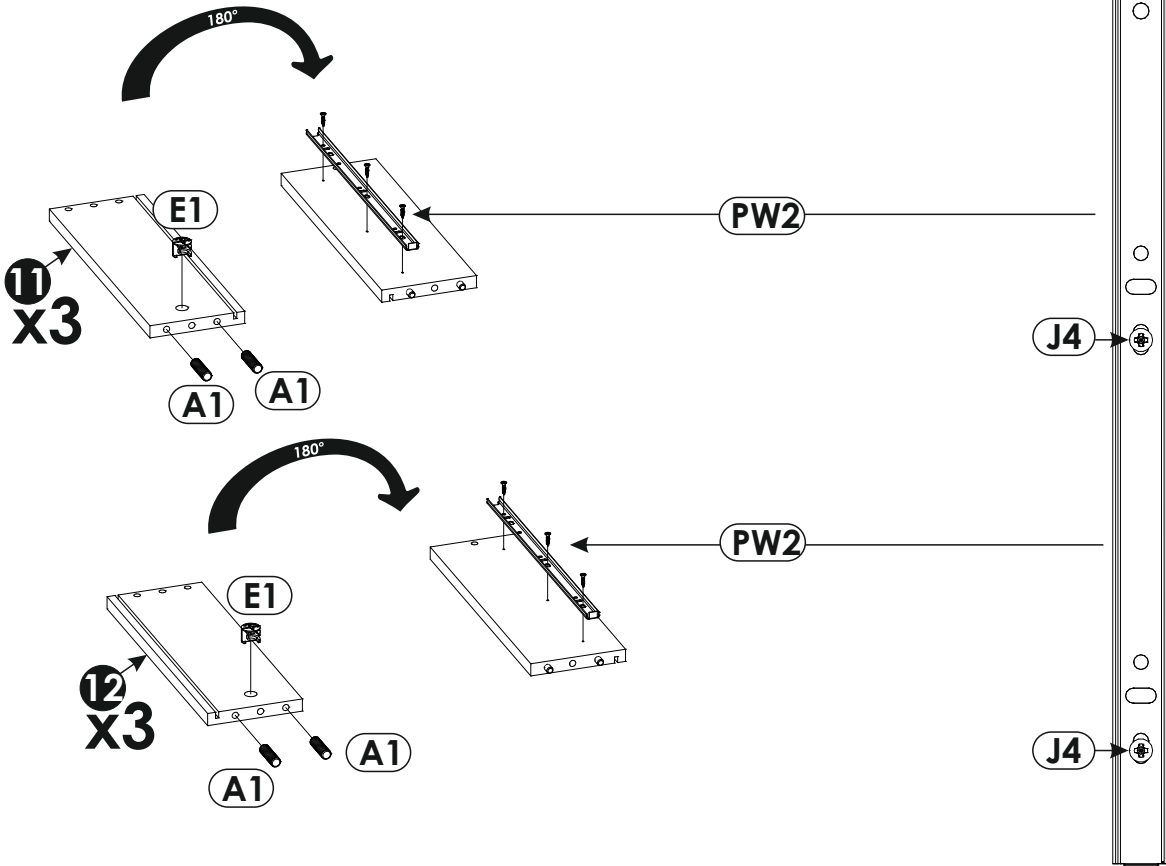
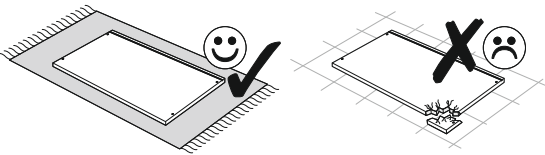
16▶



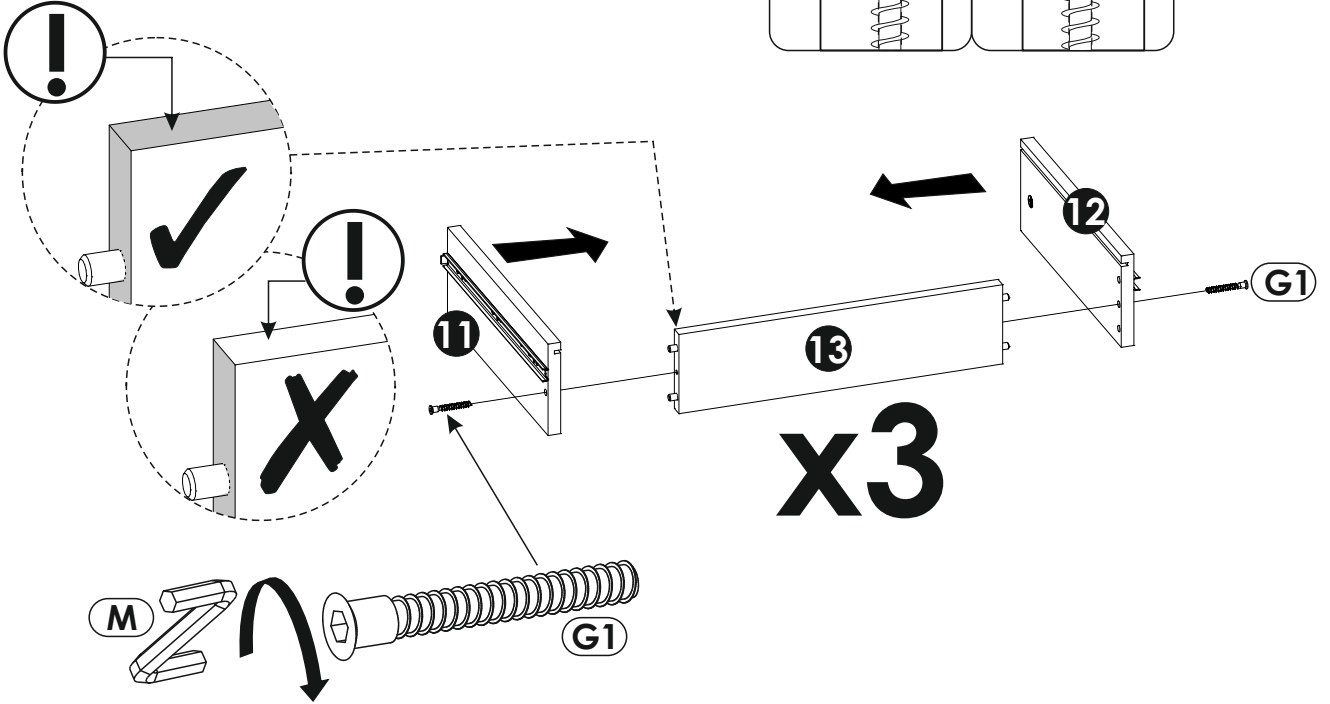
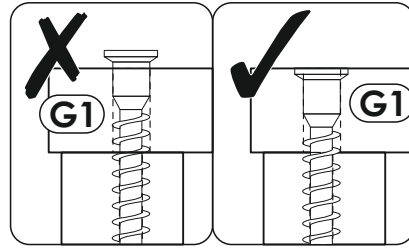
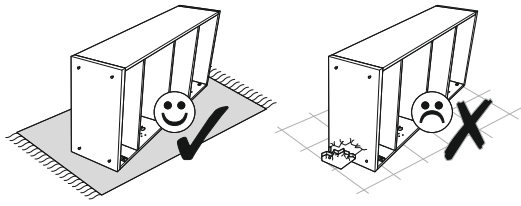
17▶



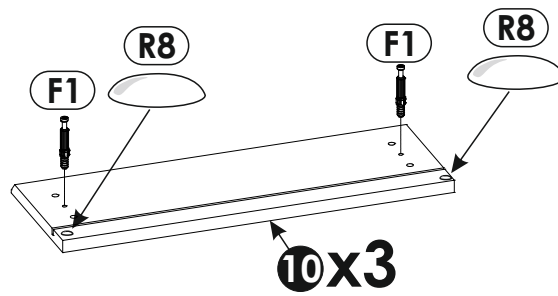
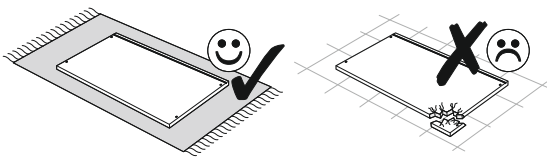
18▶



19▶

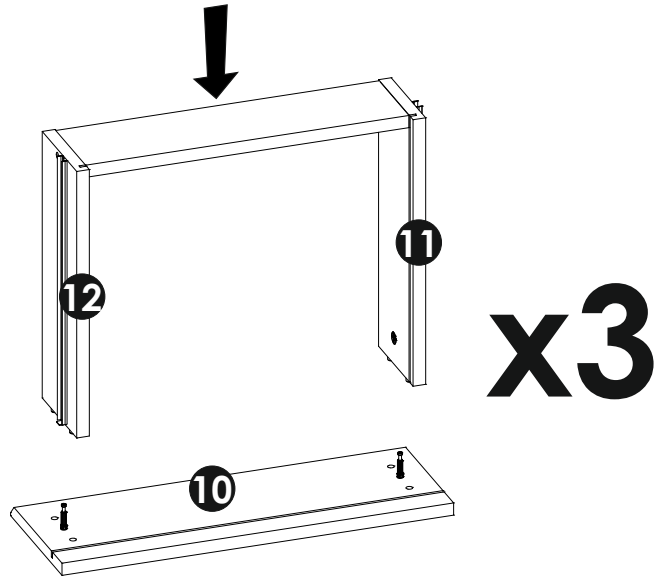
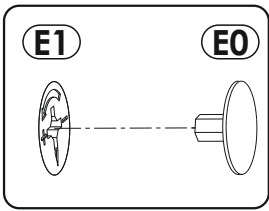
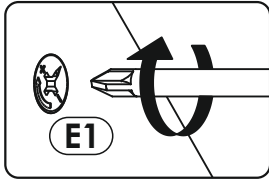
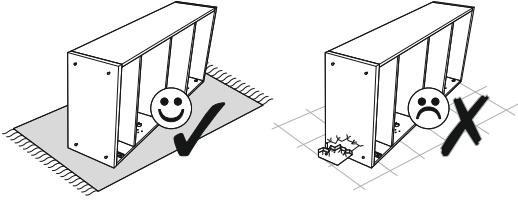


20▶

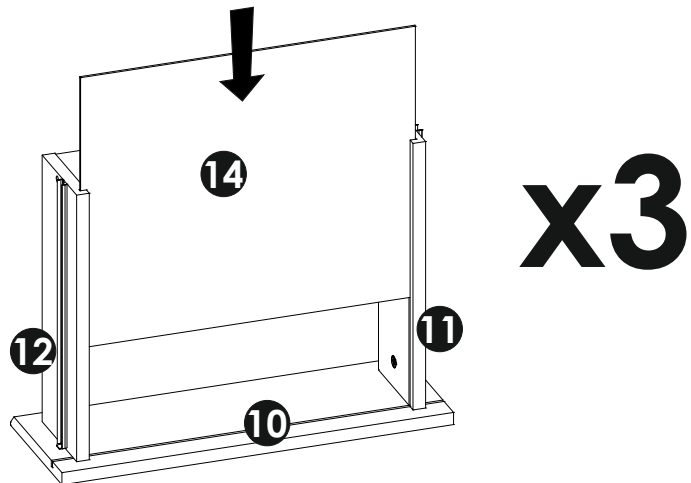
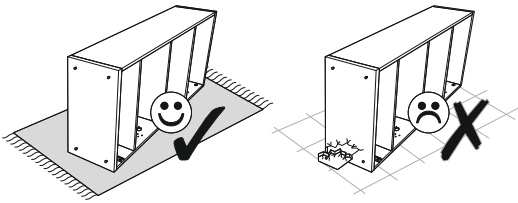


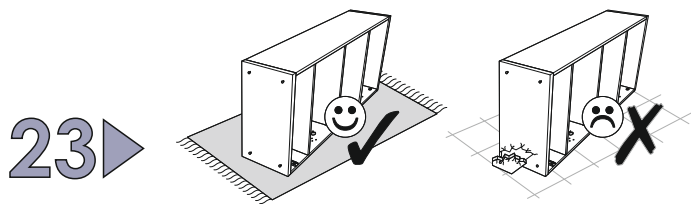


21▶

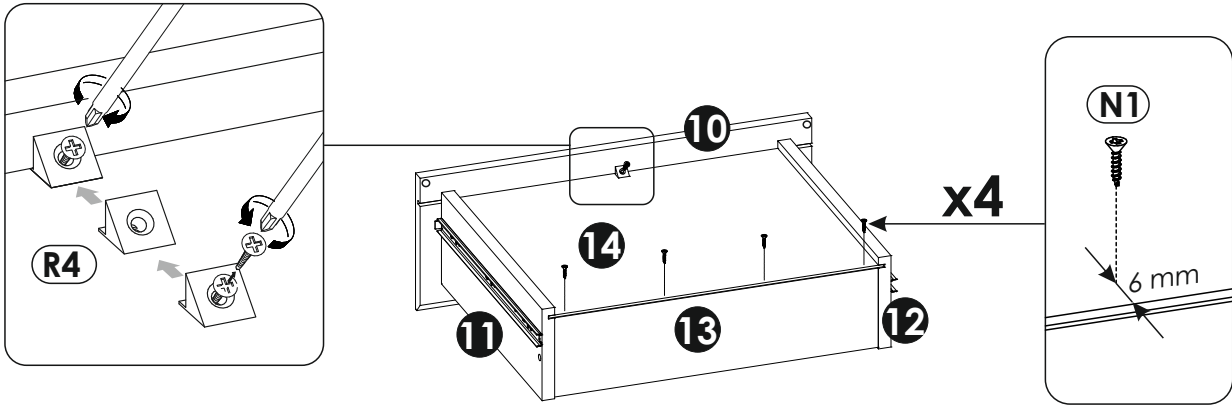


22▶

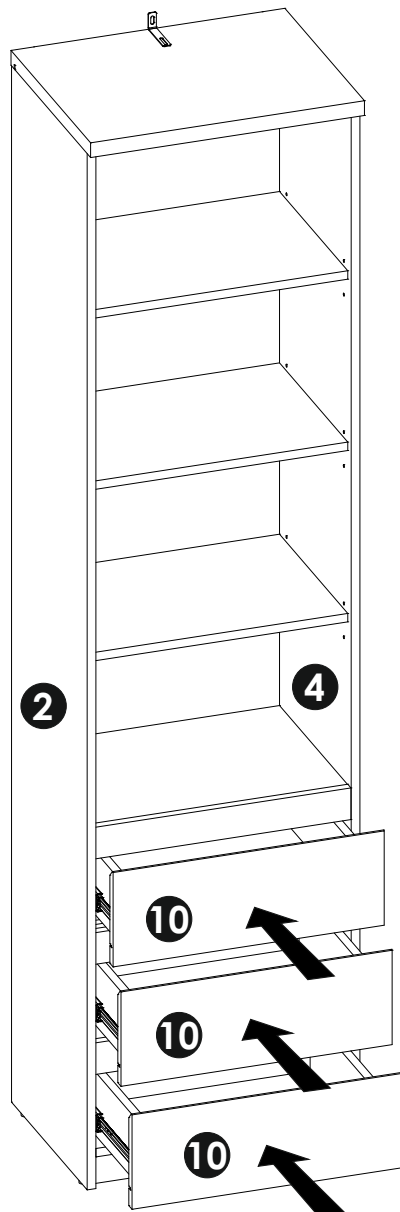


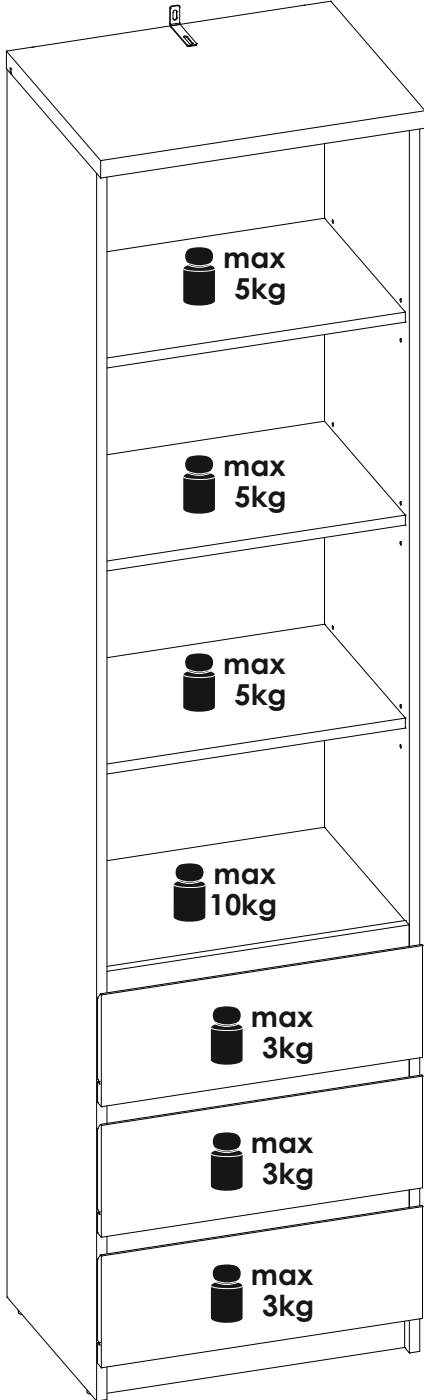


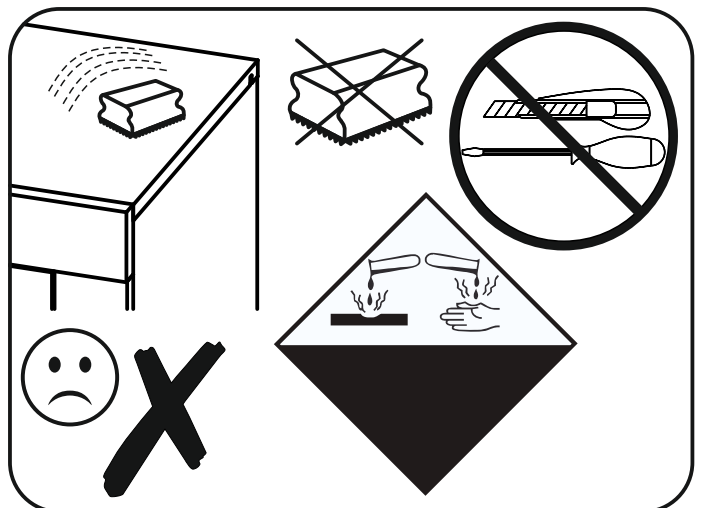
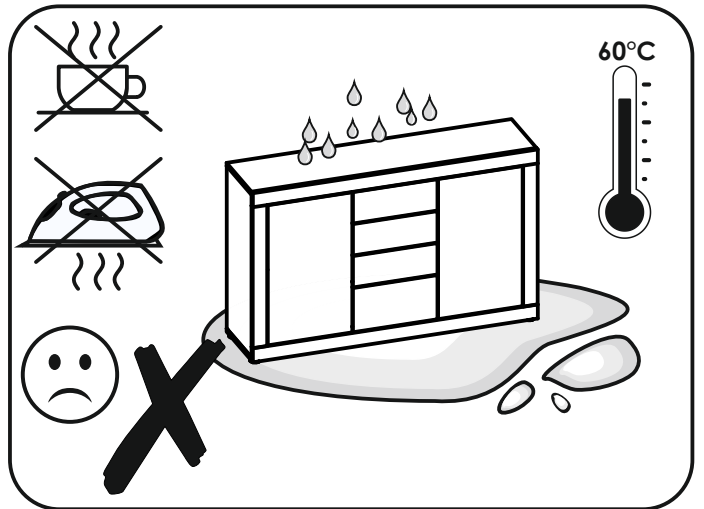
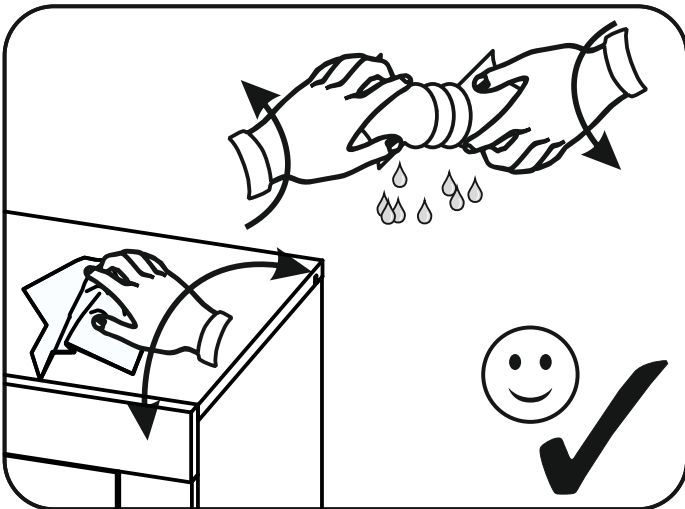
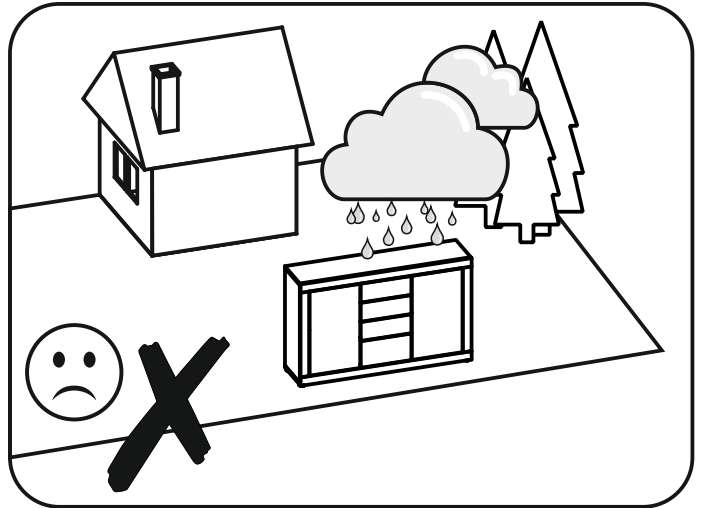
x3

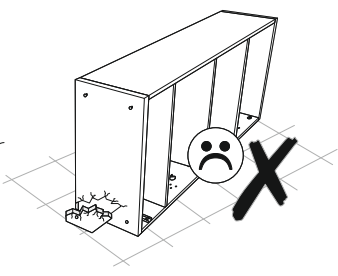
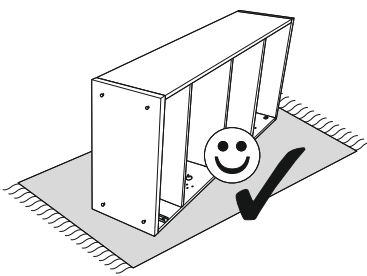
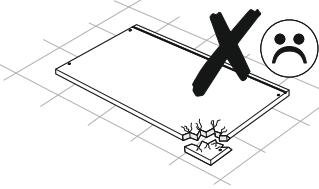
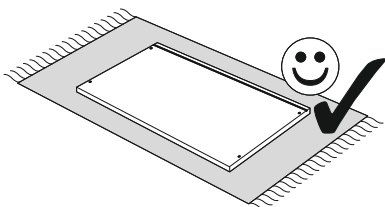
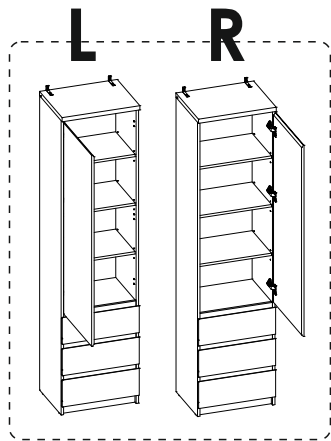
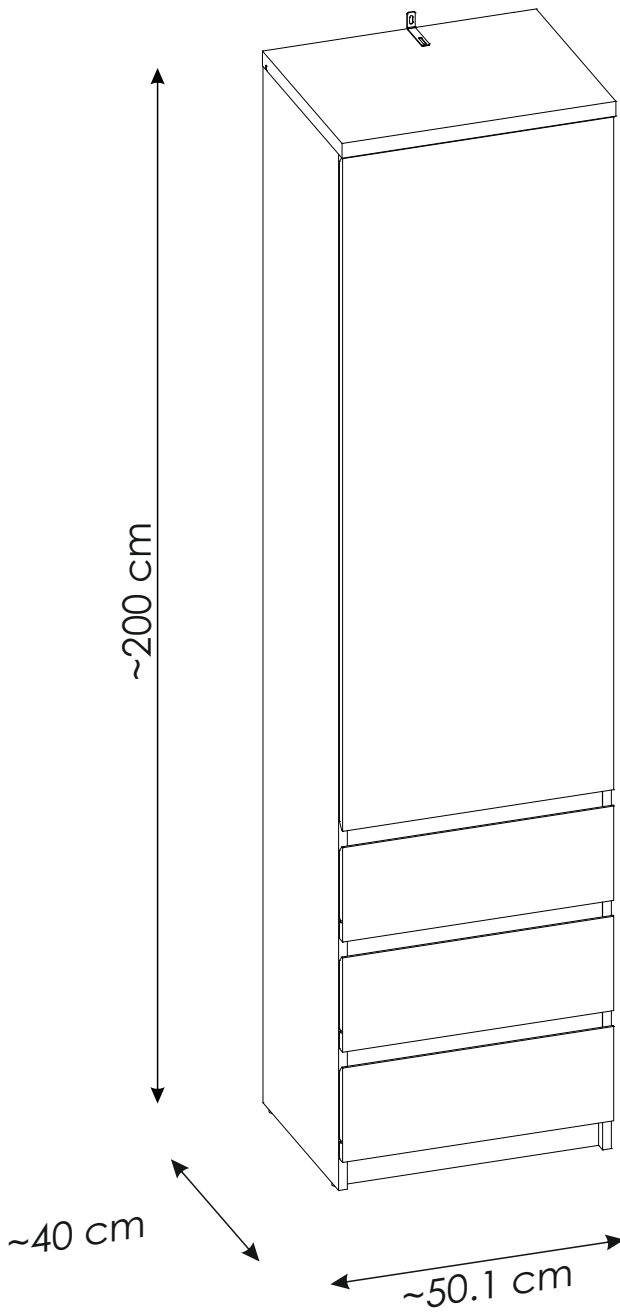
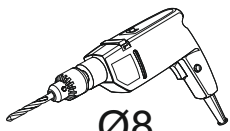
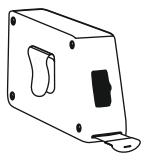
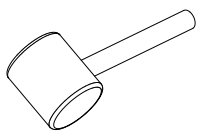
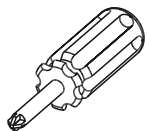
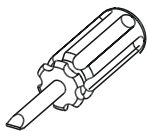
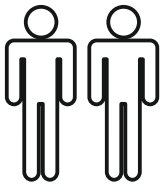


24 ▶

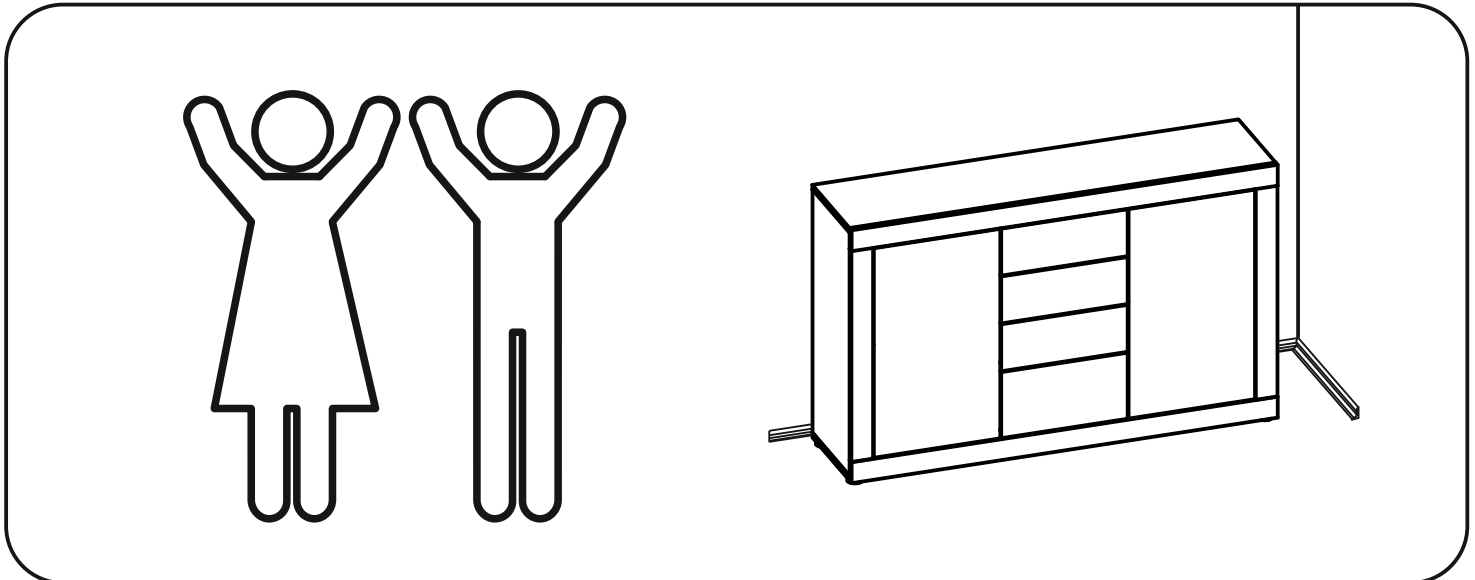
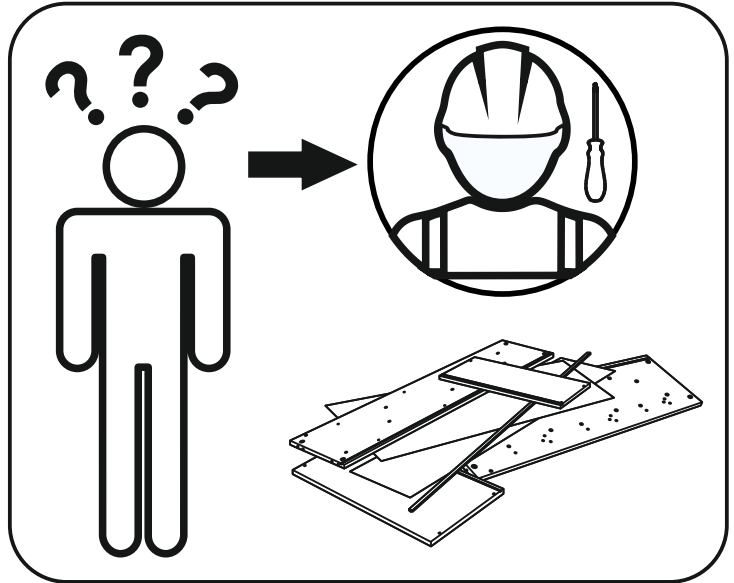
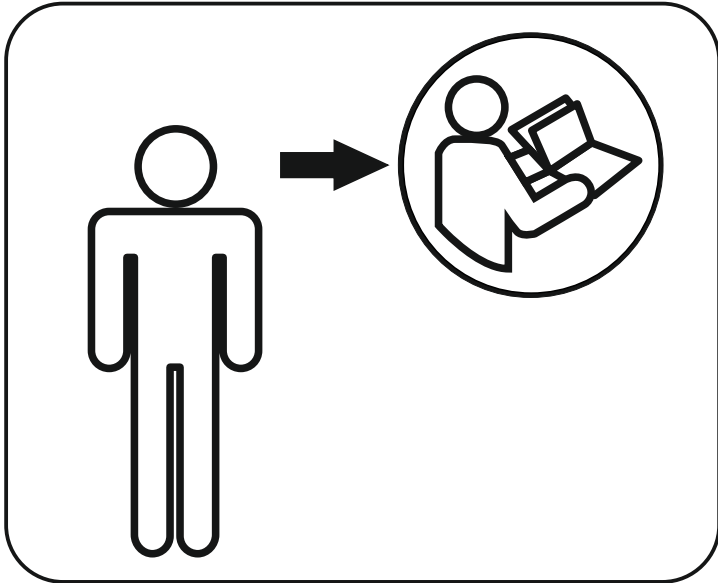
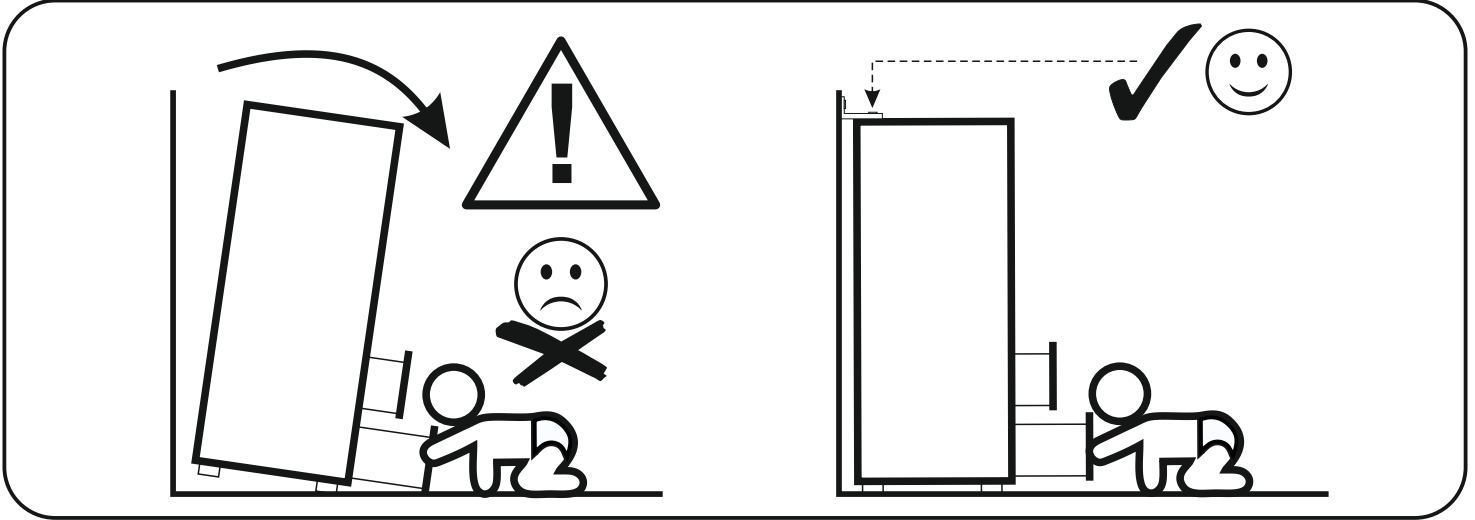
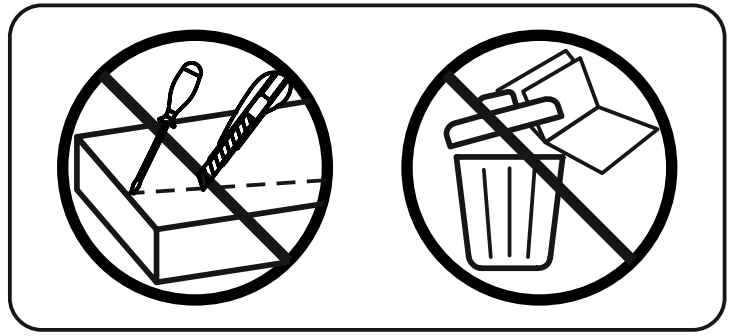
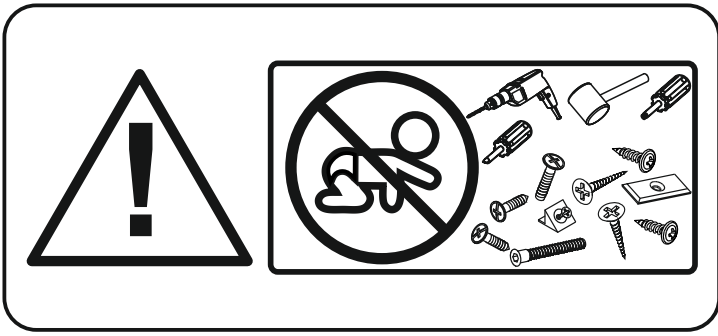


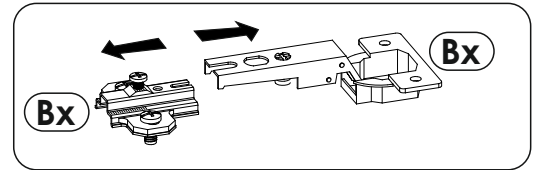
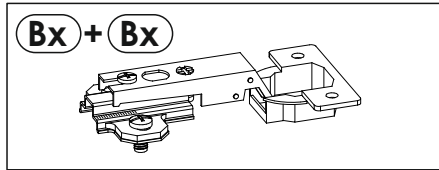
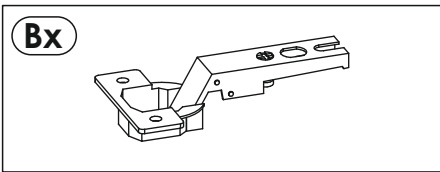
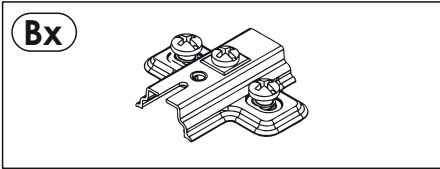




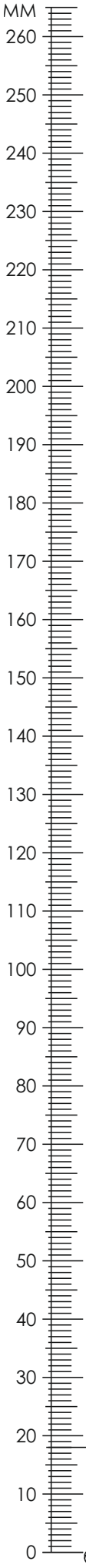


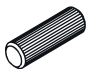
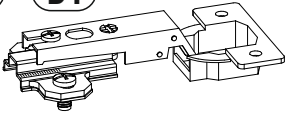


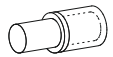


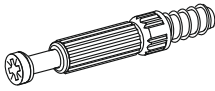
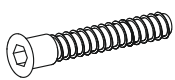


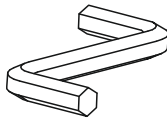
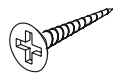
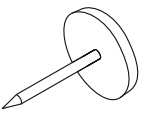
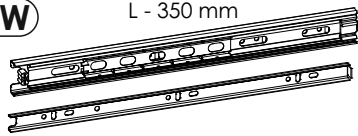
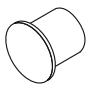
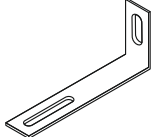
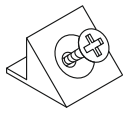
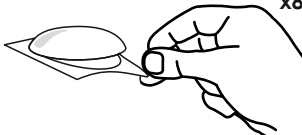
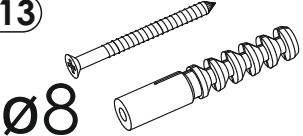
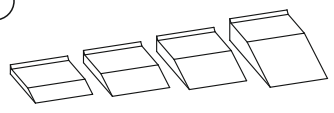


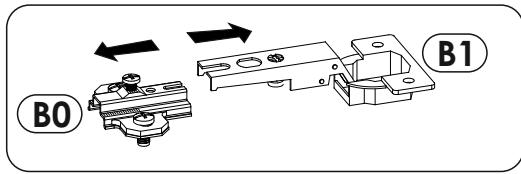


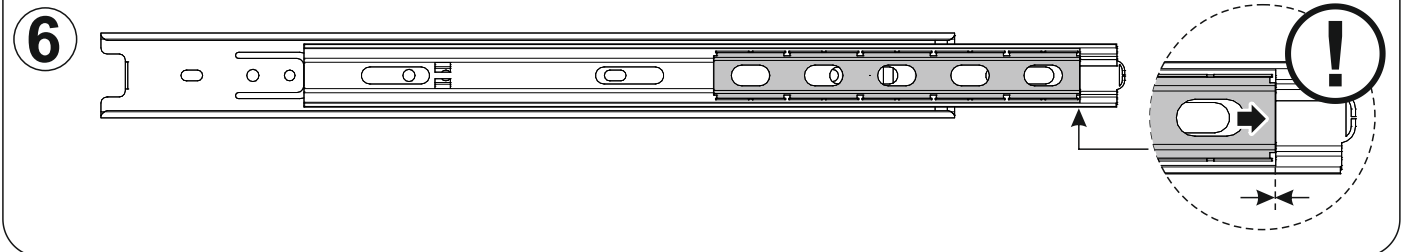
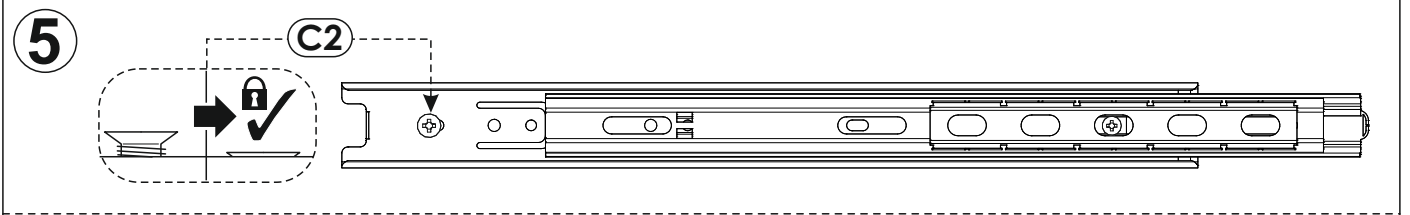
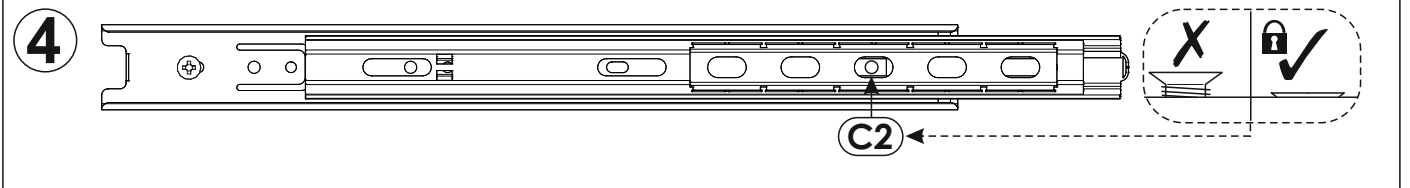
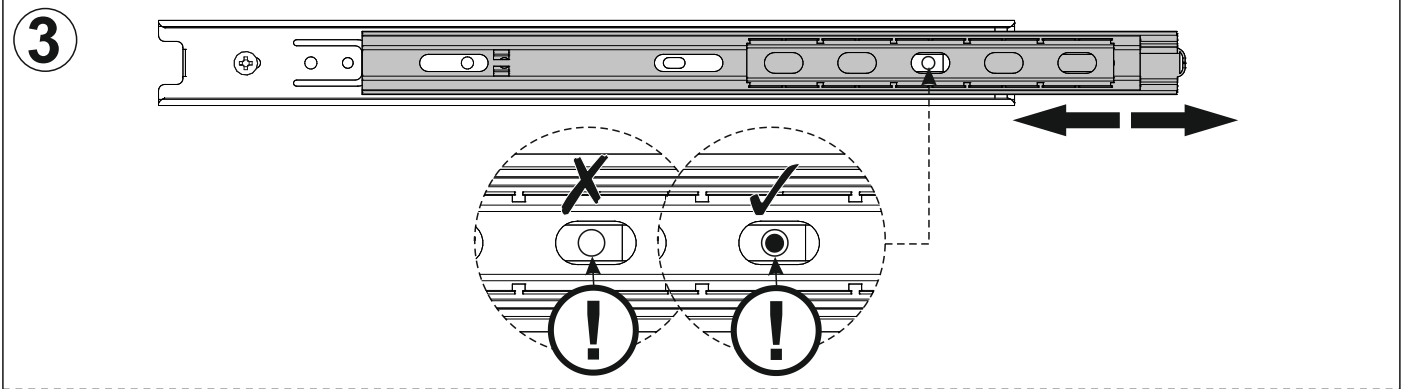
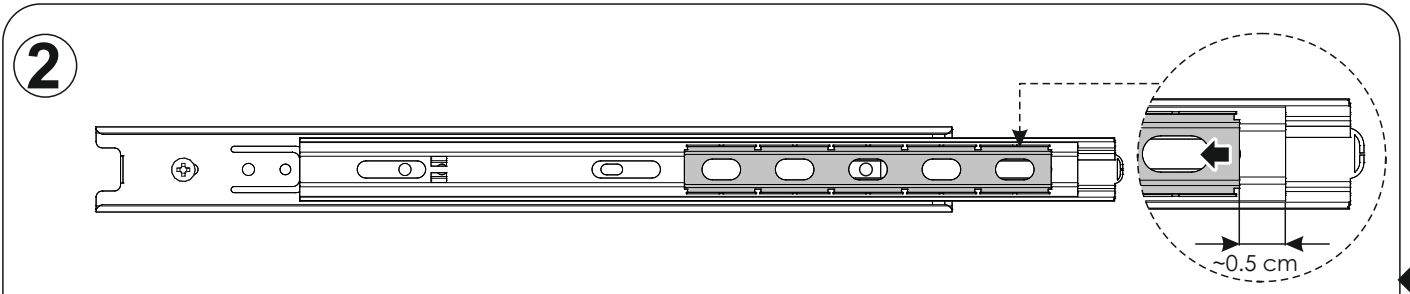
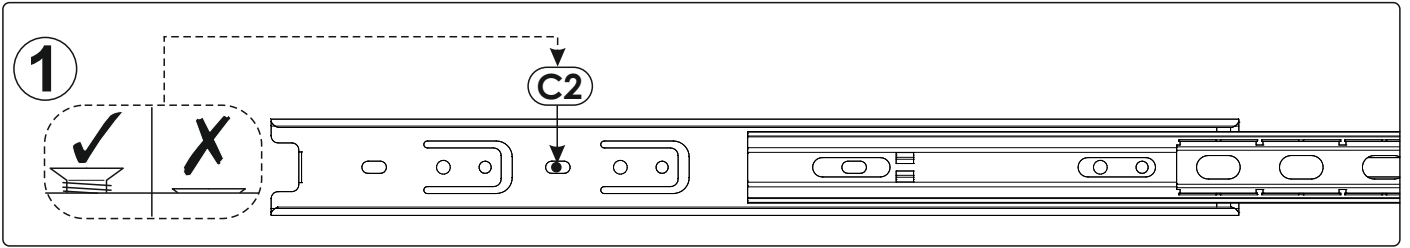
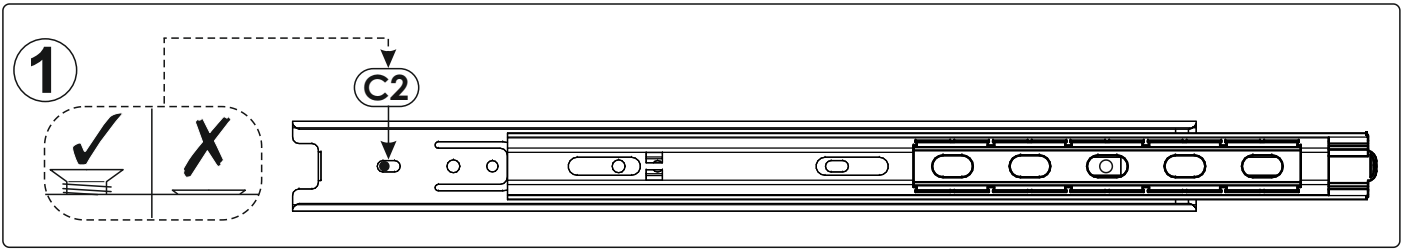


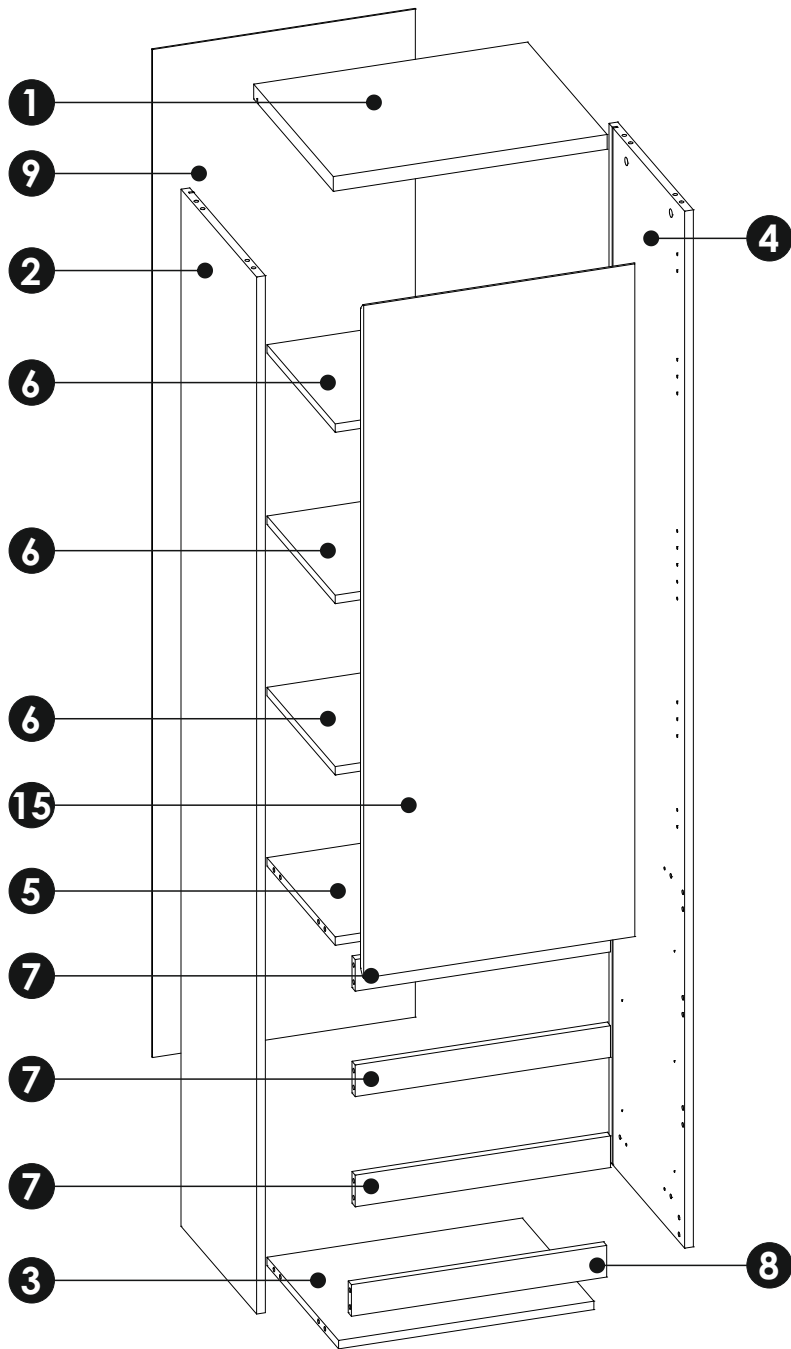
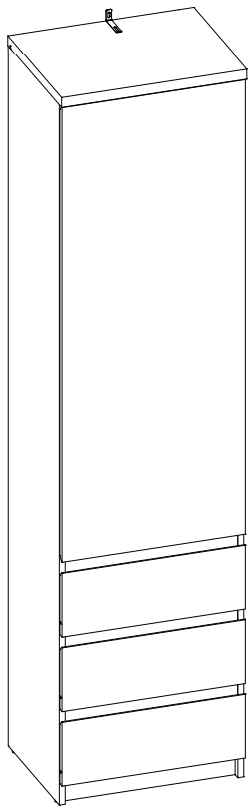




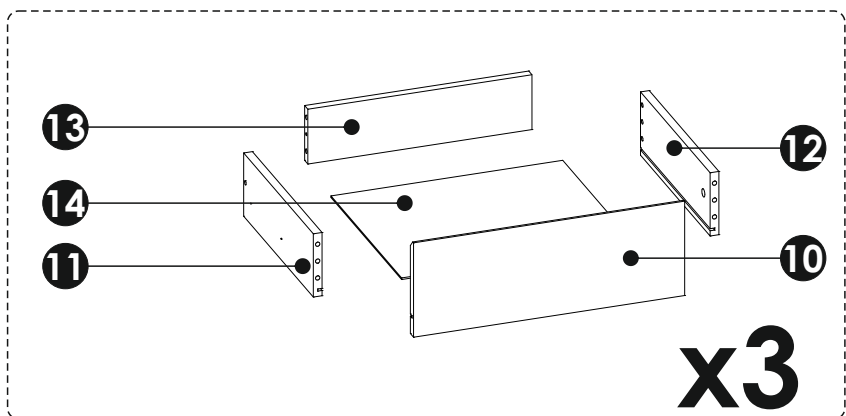
<b>A1</b> 8 x 35 mm x52 	<b>B0 + B1</b> x3 	<b>C1</b> 4 x 13 mm x6 
<b>C2</b> 5 x 13 mm x12 	<b>D2</b> x12 	<b>E0</b> x10 
<b>E1</b> 15 x 12 mm x18 	<b>F1</b> 6 x 34 mm x18 	<b>G1</b> 7 x 50 mm x6 
<b>I2</b> 4 x 16 mm x1 	<b>J4</b> 3,5 x 16 mm x18 	<b>M</b> x1 
<b>N1</b> 3 X 16 mm x20 	<b>O2</b> x4 	<b>PW</b> L - 350 mm x6 
<b>P0</b> x6 	<b>Q9</b> x1 	<b>R4</b> x14 
<b>R8</b> x8 	<b>S13</b> x1 Ø8 	<b>Z</b> x1 

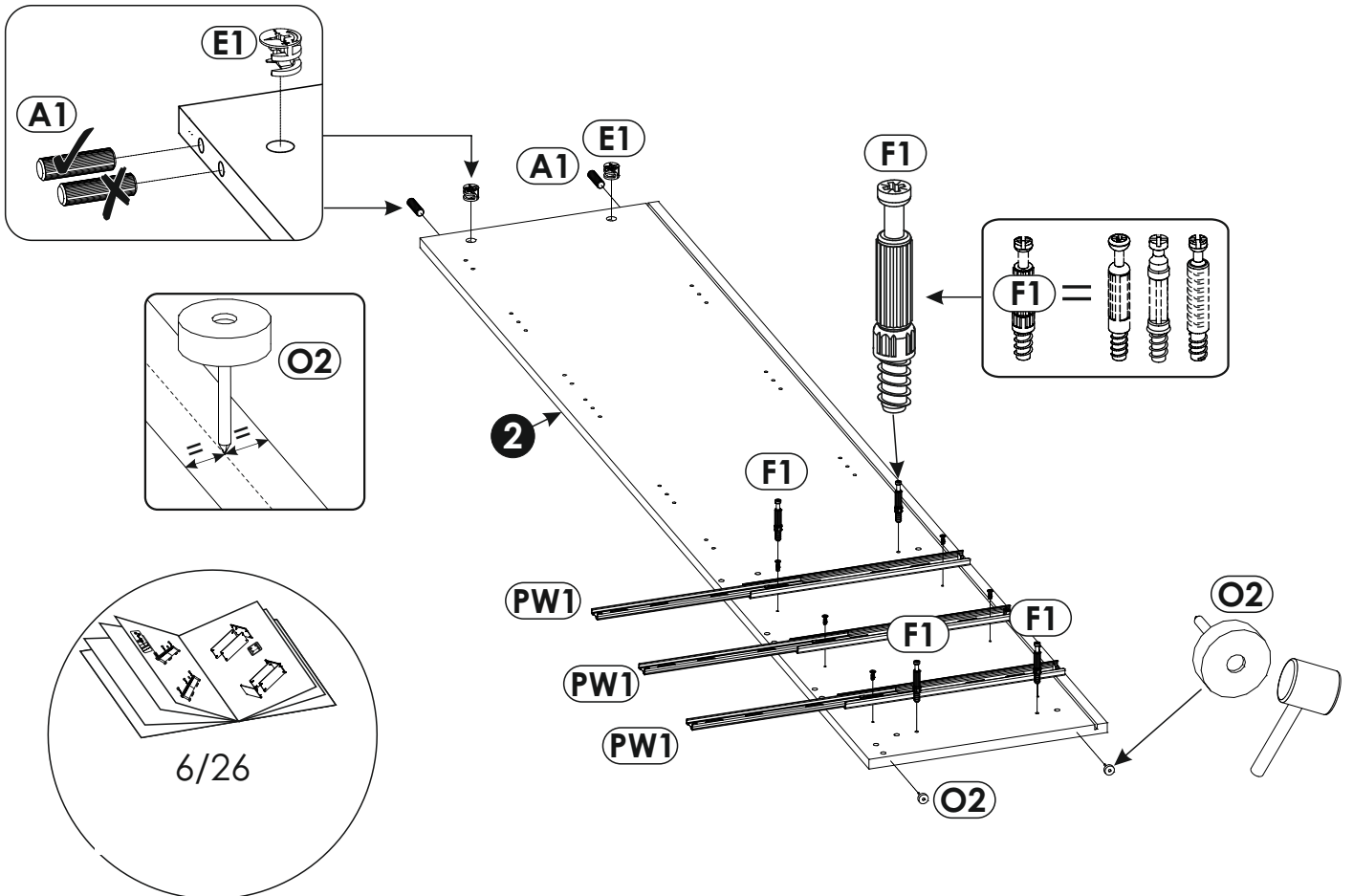
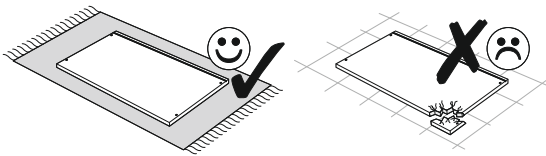
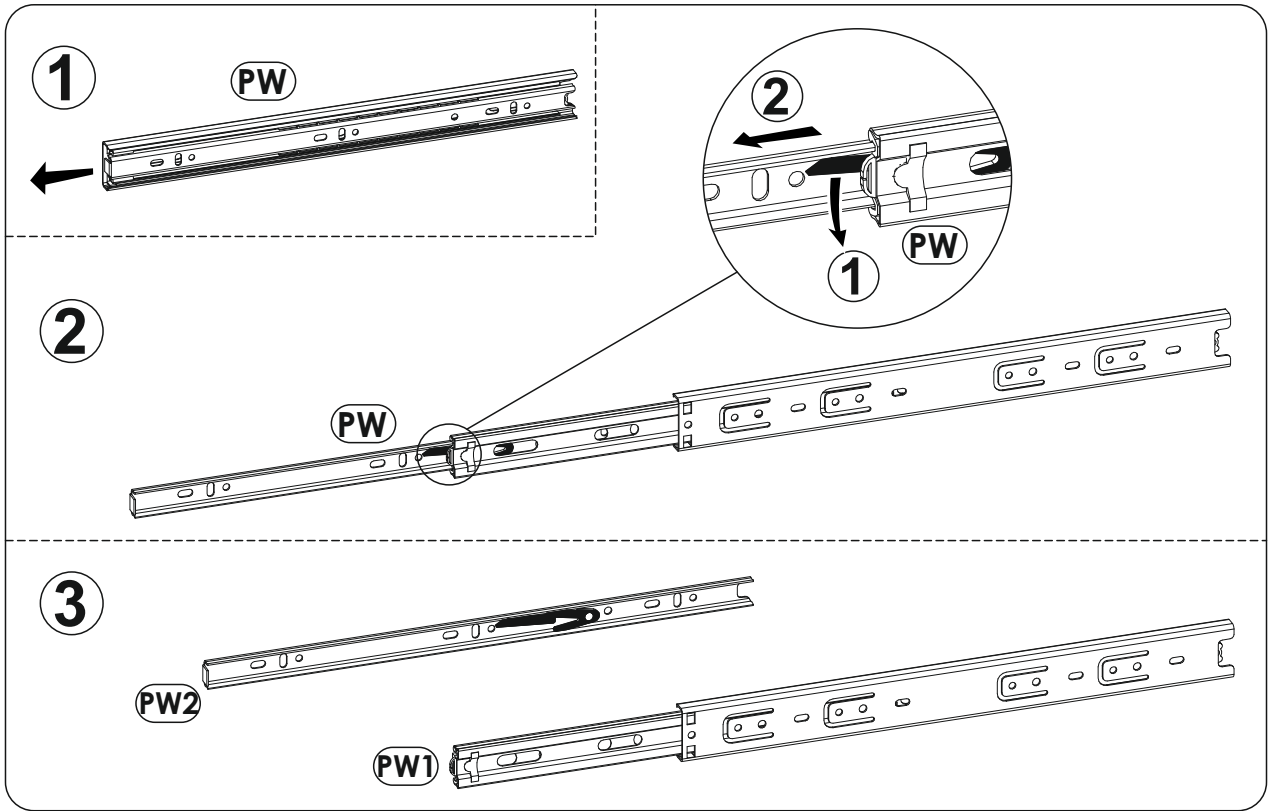




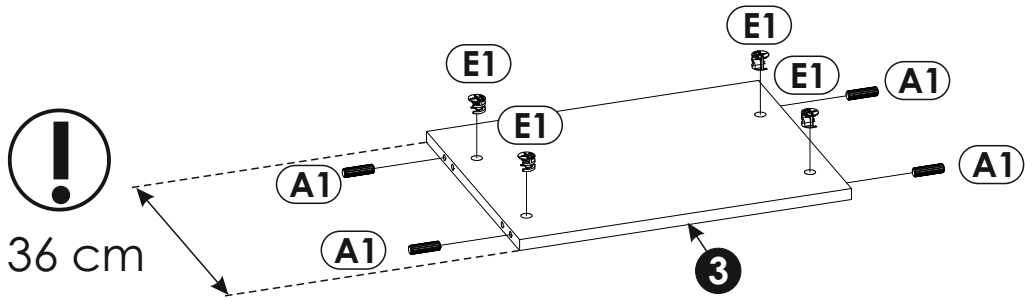
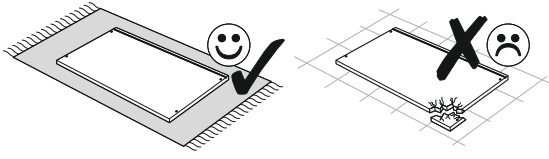


<b>1</b>	501	400	28	x1	1/2
<b>2</b>	1967	380	16	x1	2/2
<b>3</b>	467	360	16	x1	1/2
<b>4</b>	1967	380	16	x1	2/2
<b>5</b>	467	343	16	x1	1/2
<b>6</b>	467	343	16	x3	1/2
<b>7</b>	467	60	16	x3	1/2
<b>8</b>	467	60	16	x1	1/2
<b>9</b>	1912	481	3	x1	2/2
<b>10</b>	496	179	16	x3	2/2
<b>11</b>	350	120	16	x3	1/2
<b>12</b>	350	120	16	x3	1/2
<b>13</b>	410	104	16	x3	1/2
<b>14</b>	424	355	3	x3	1/2
<b>15</b>	1276	496	16	x1	2/2

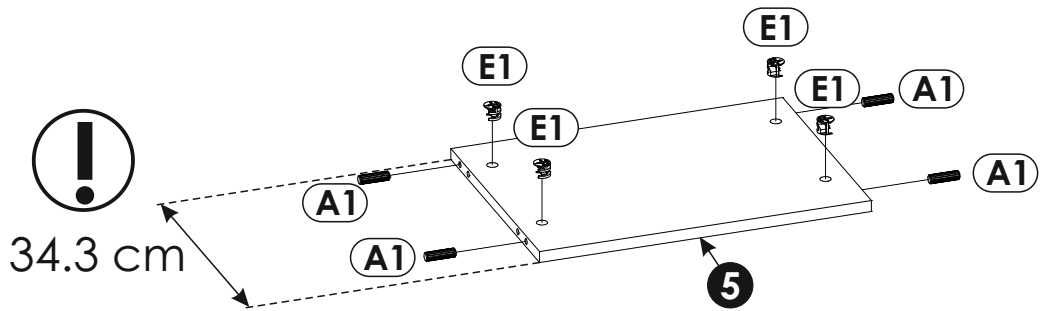
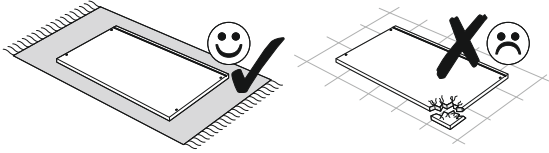


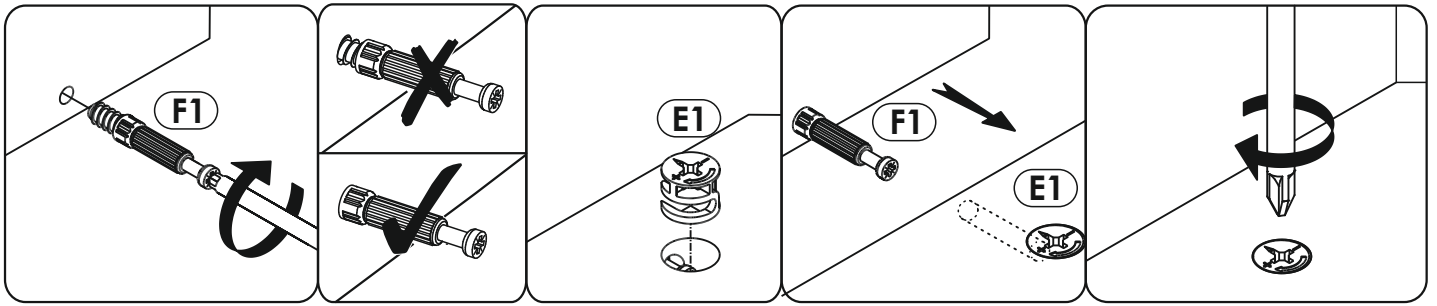


2 ▶

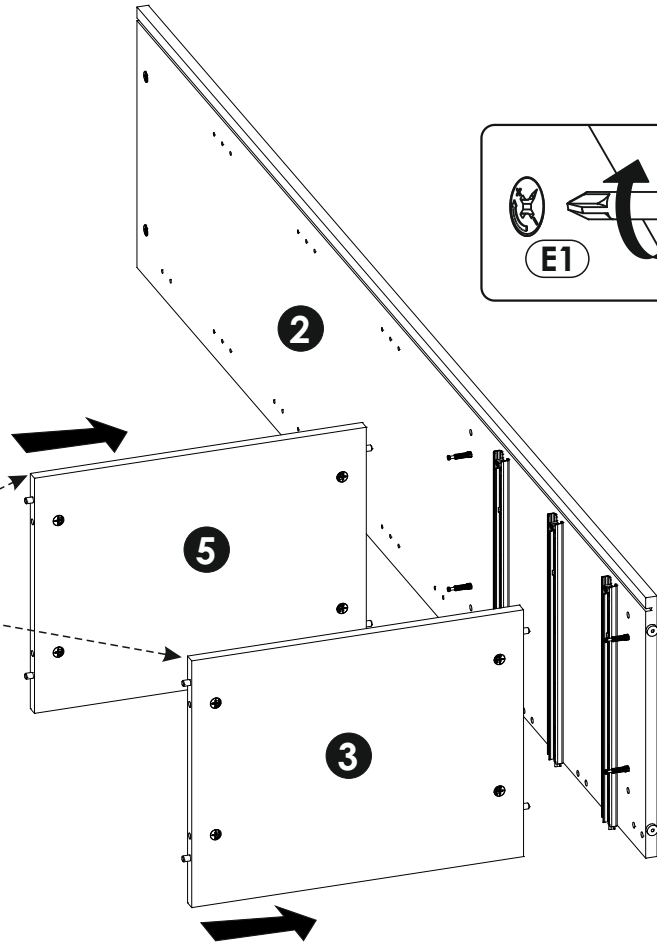
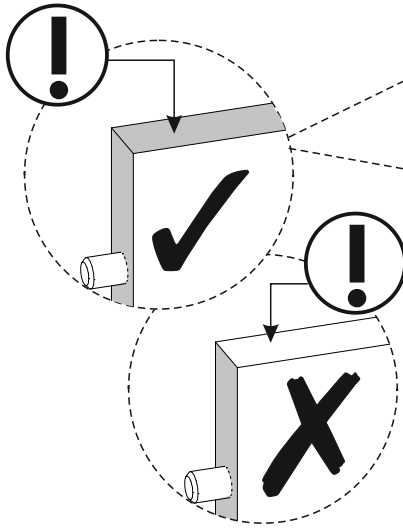
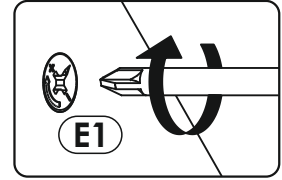
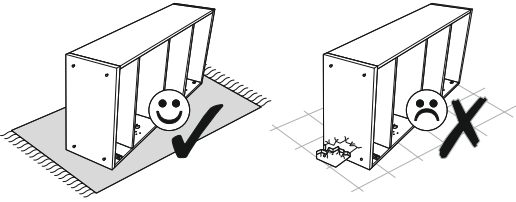


3 ▶

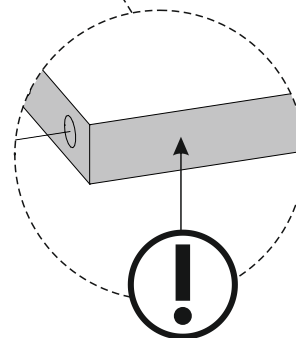
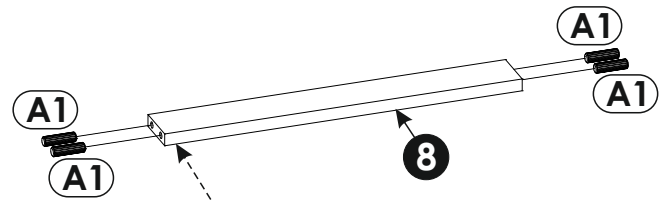
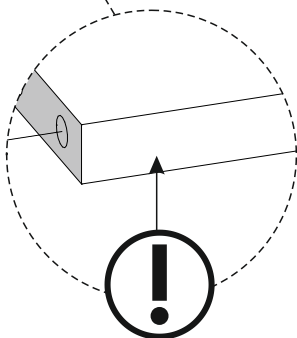
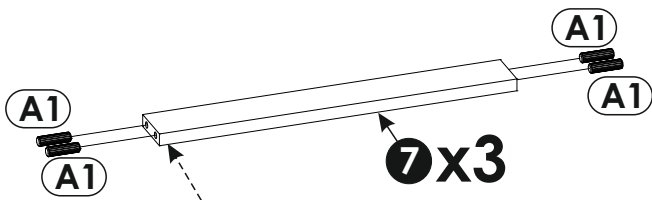
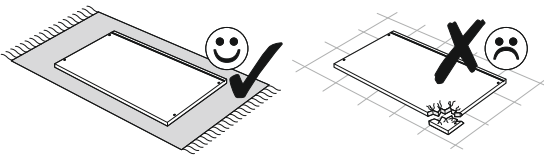




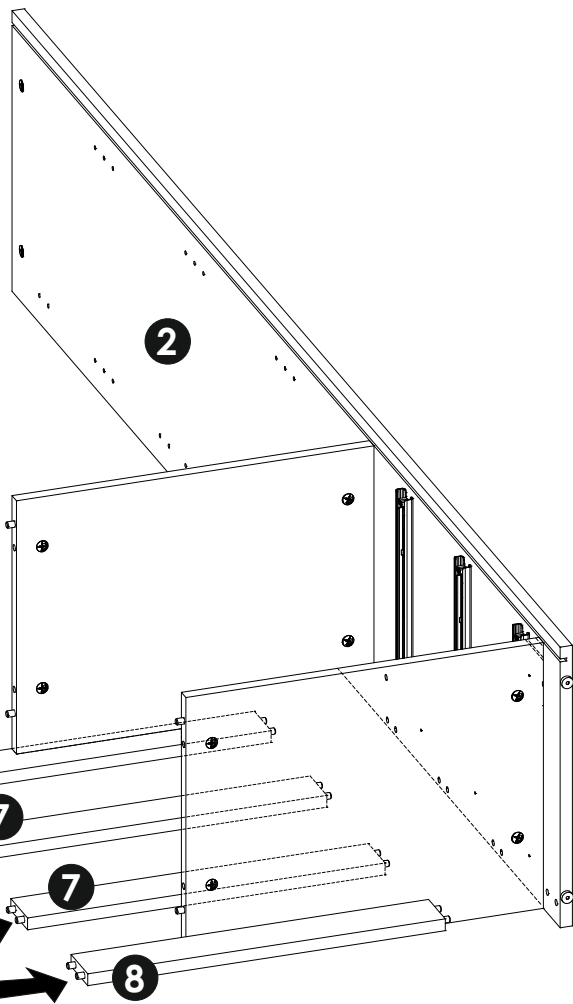
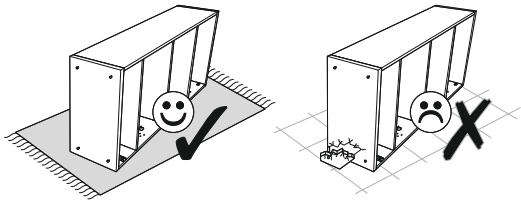
4 ▶



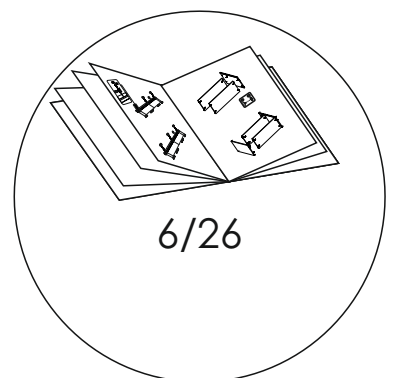
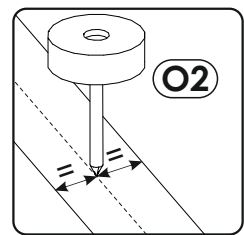
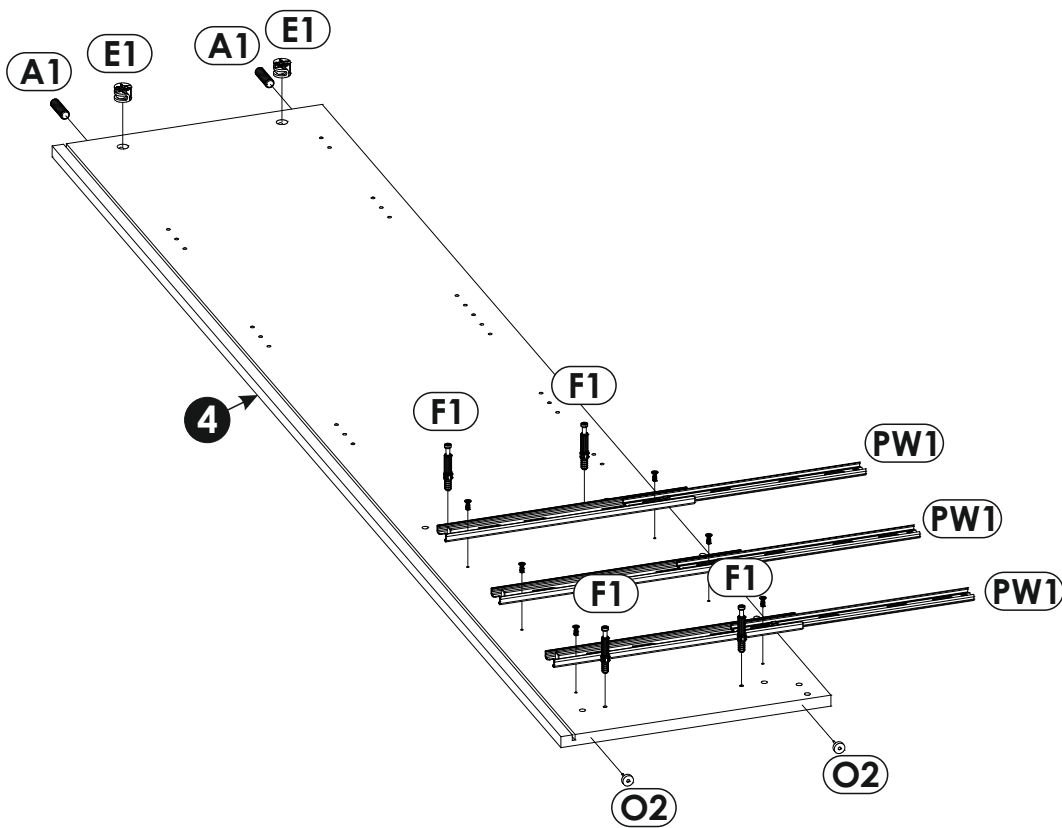
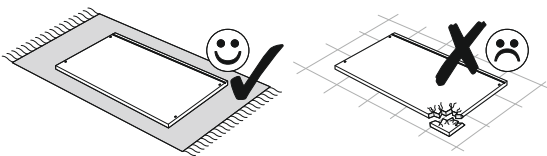
5 ▶



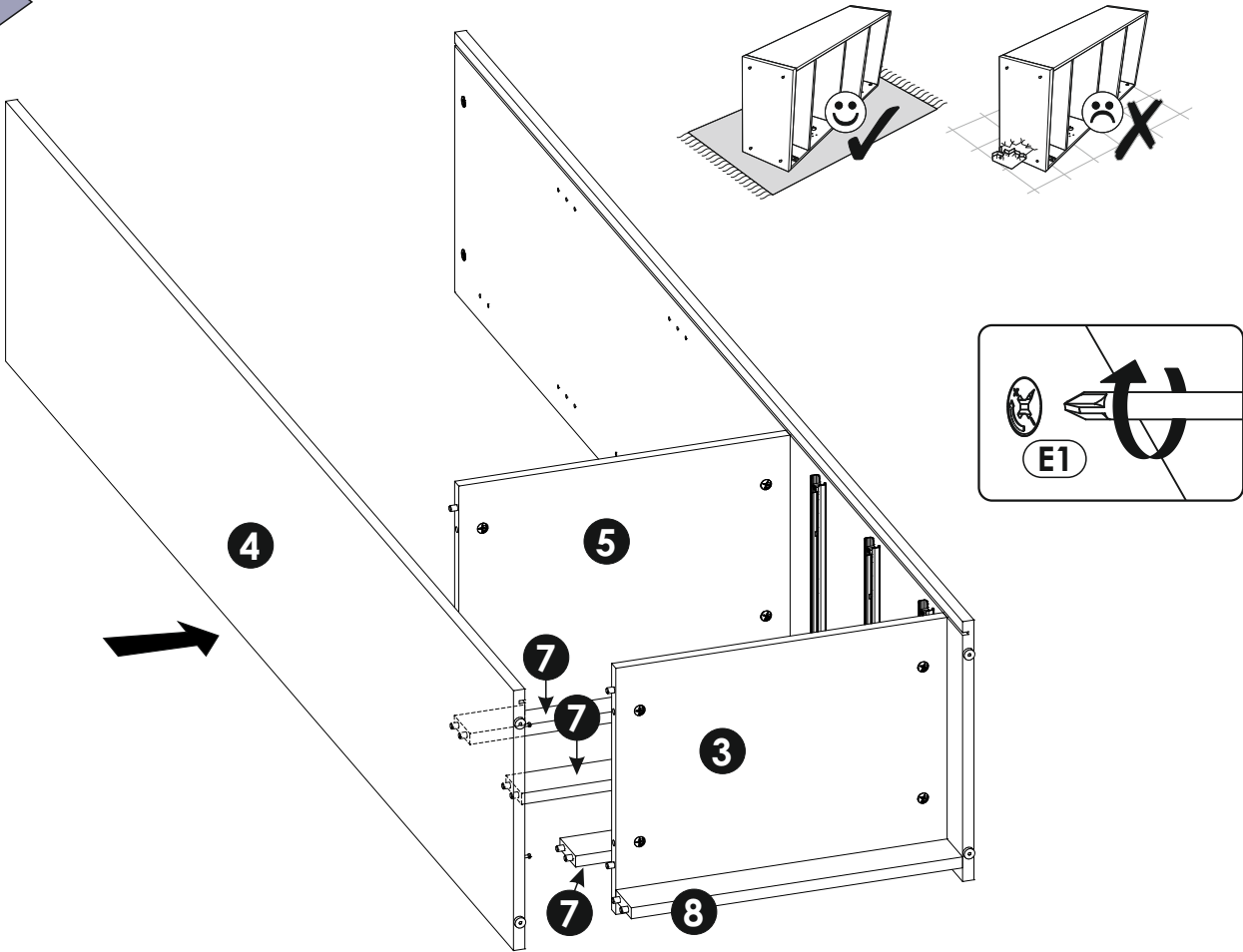
6 ▶



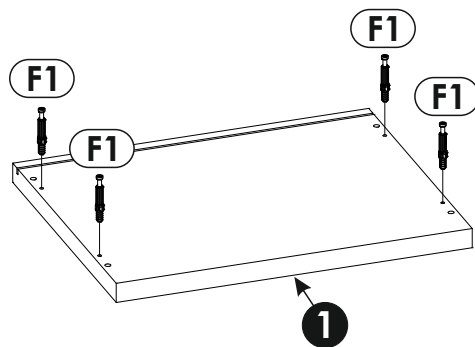
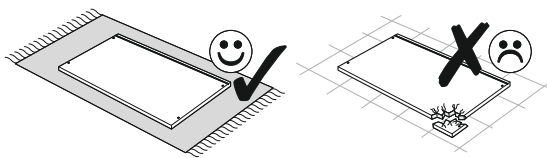
7 ▶



8 ▶

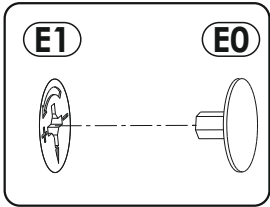
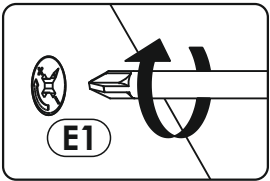
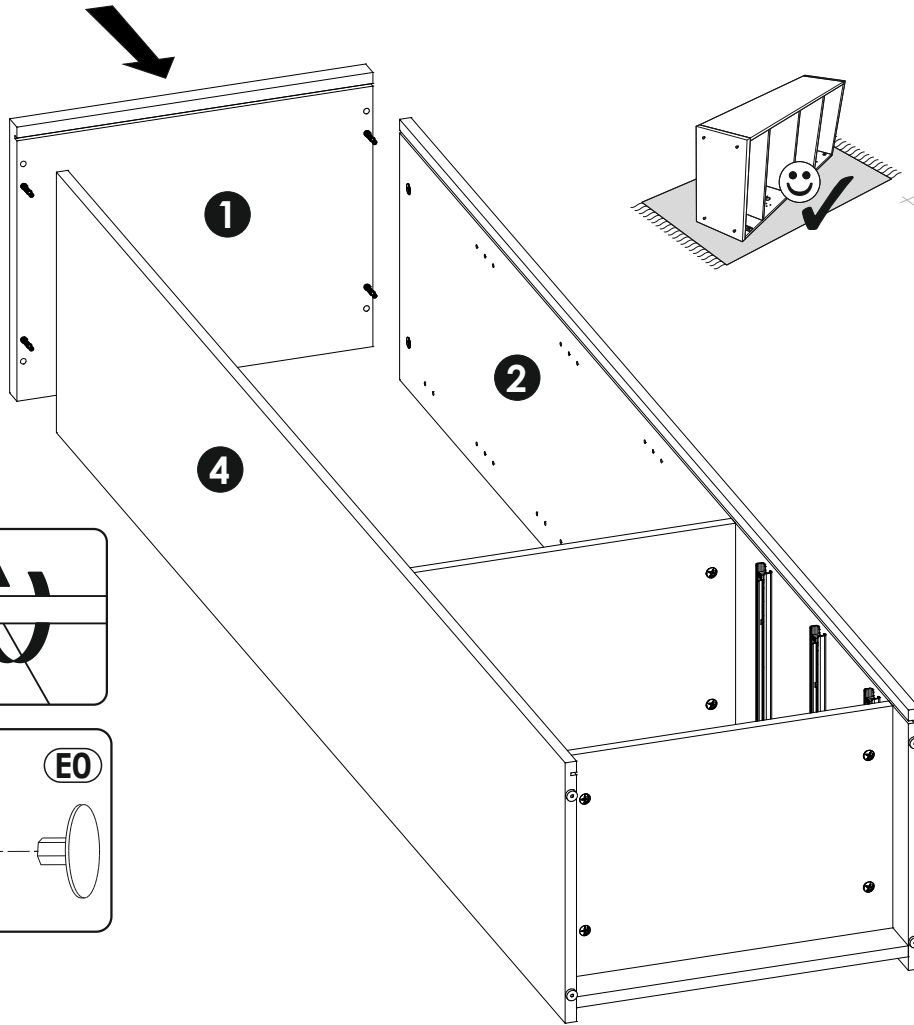


9 ▶

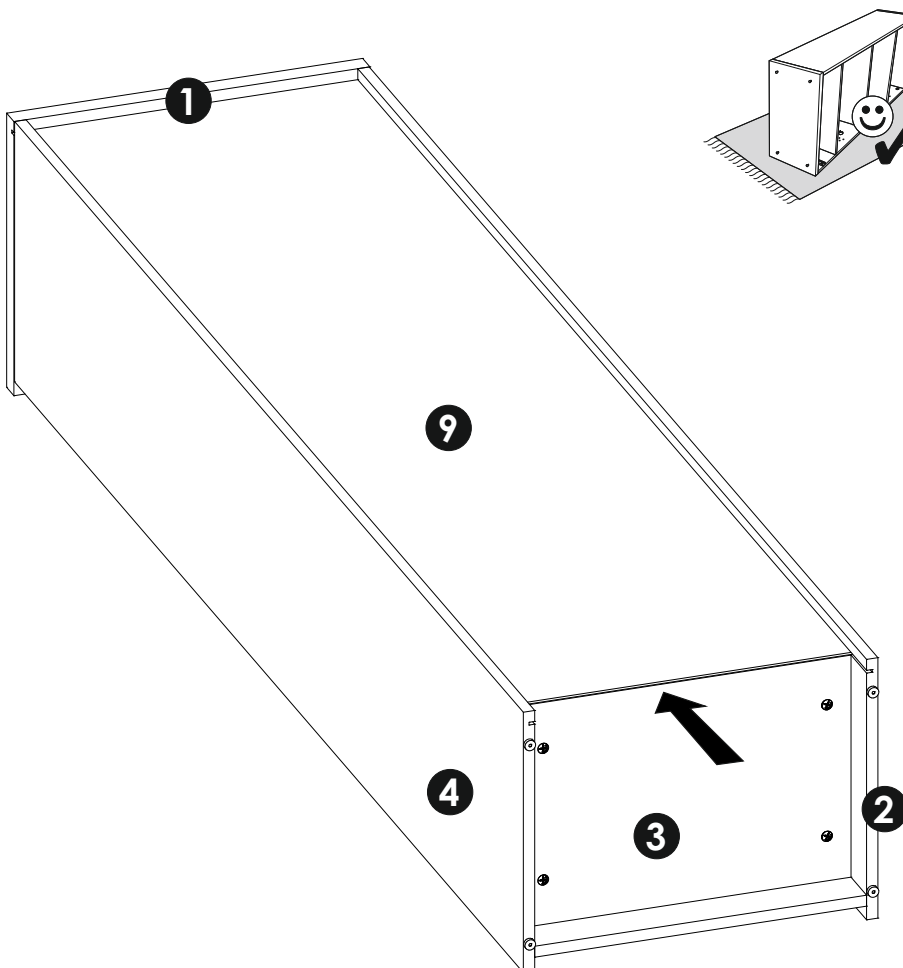




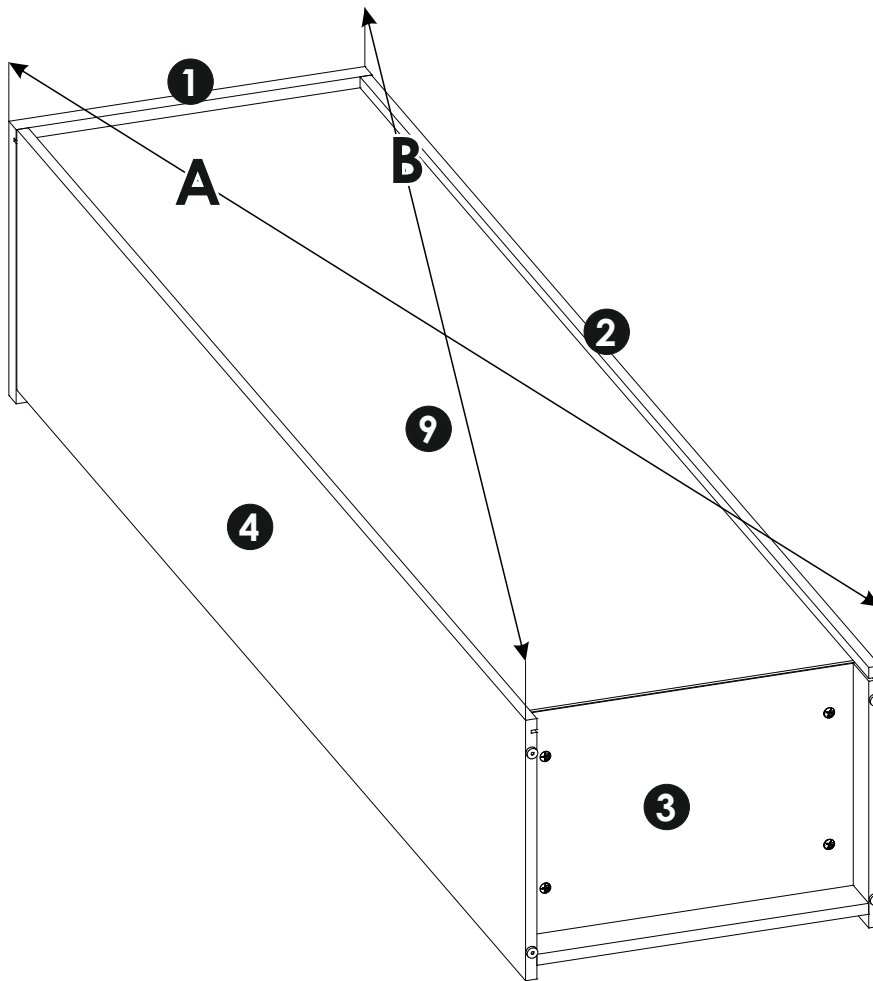
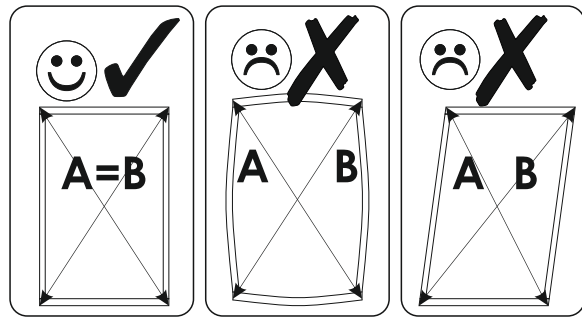
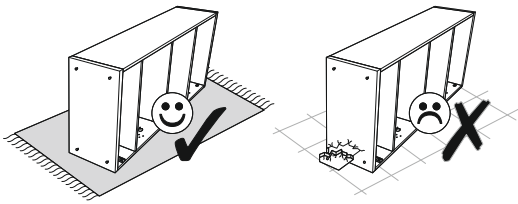
10 ▶



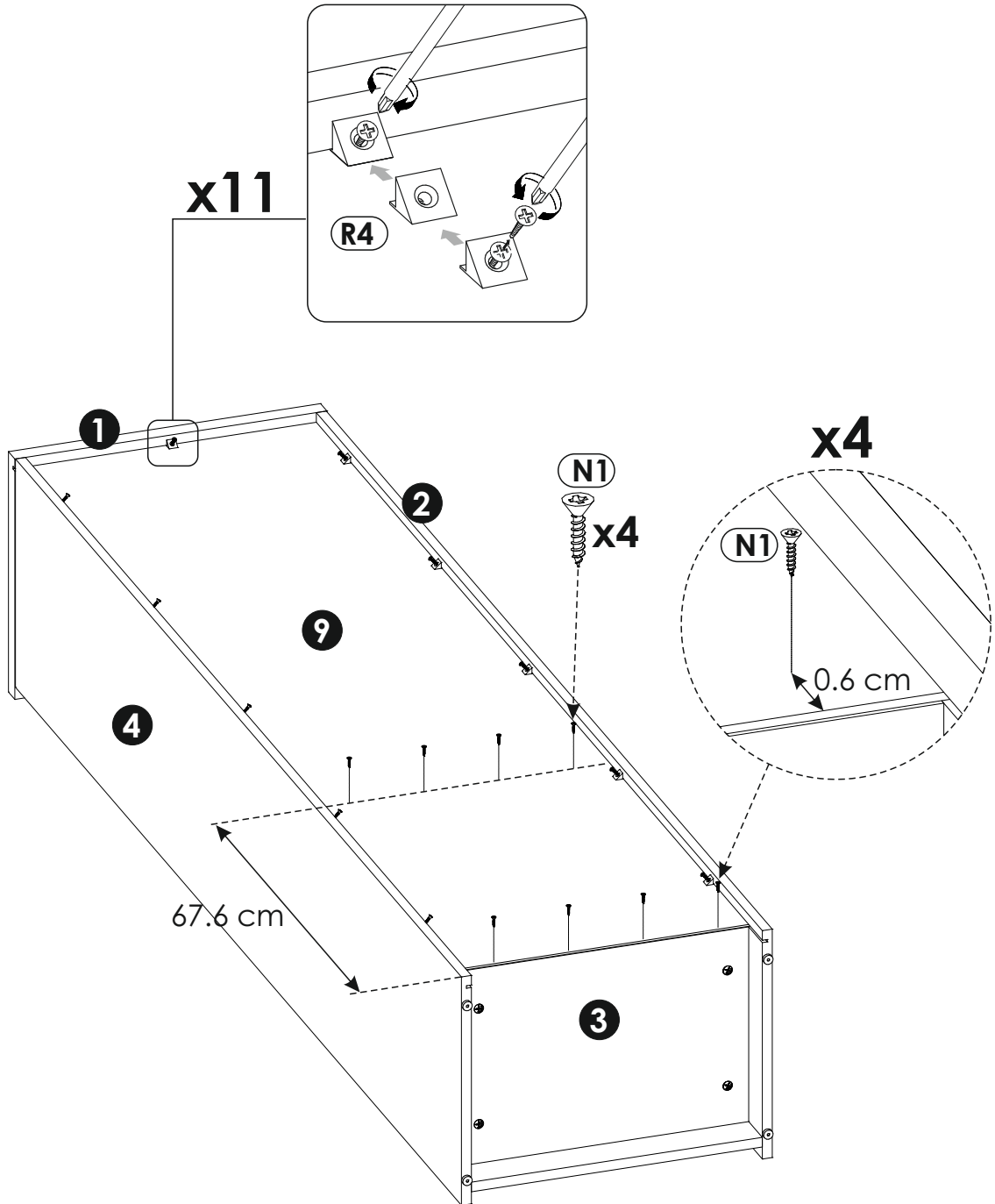
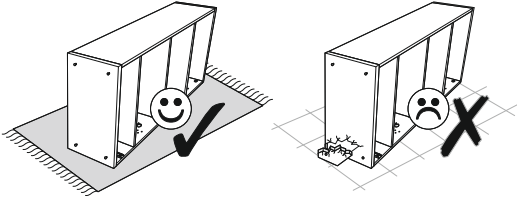
11 ▶



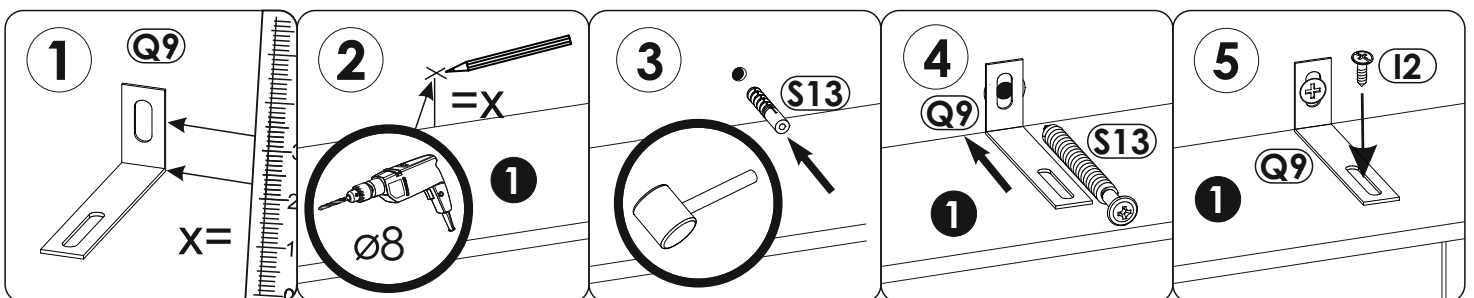
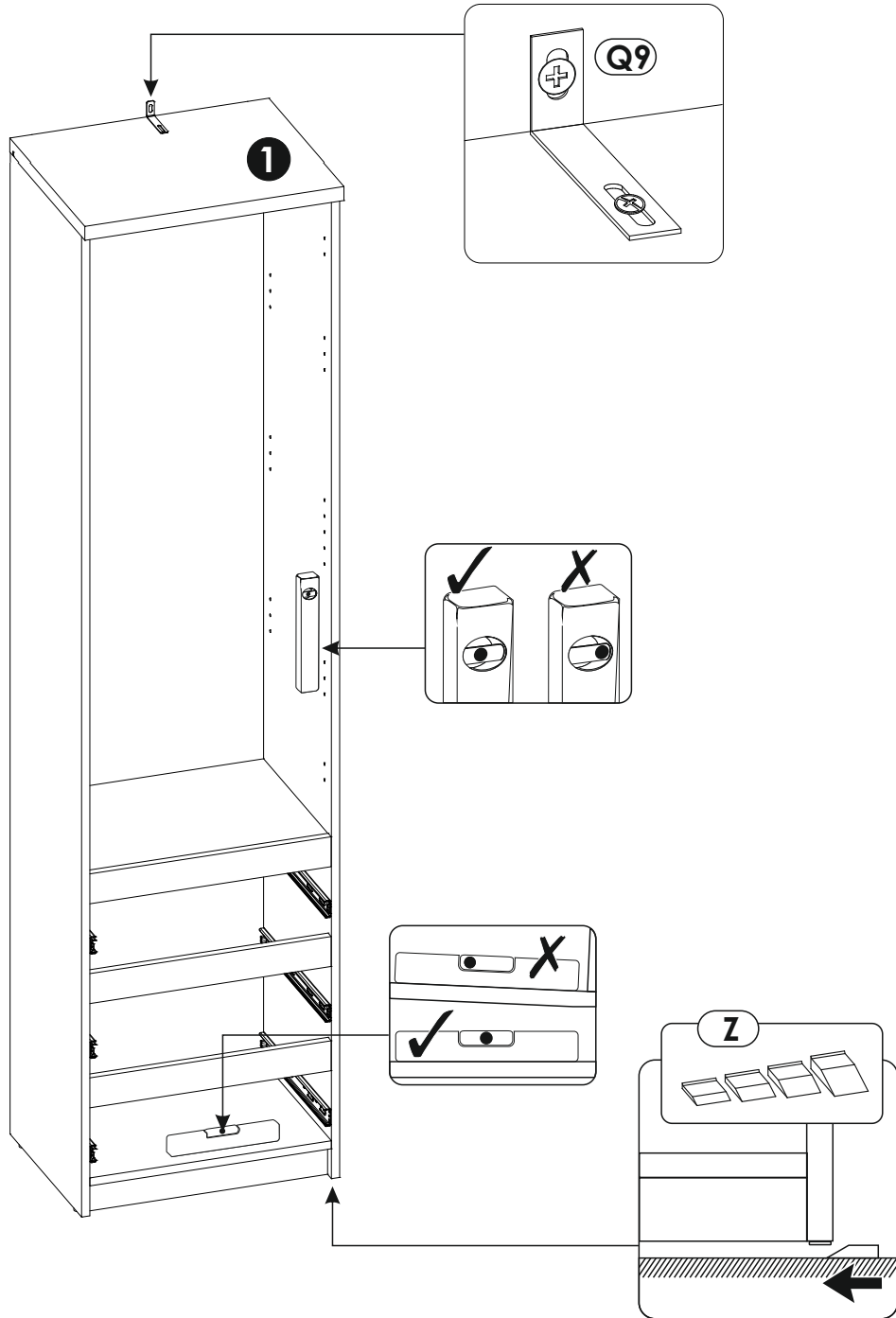
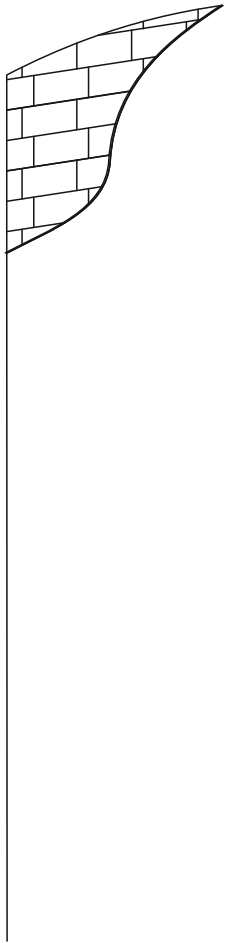
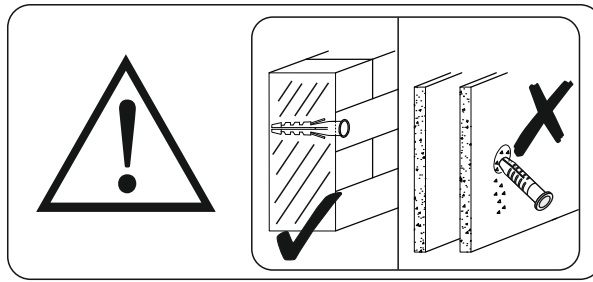
12▶



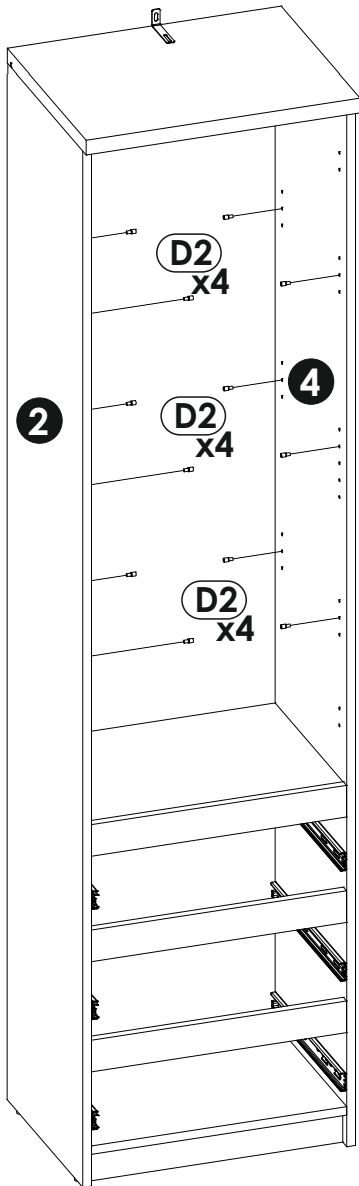
13▶



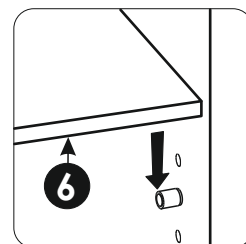
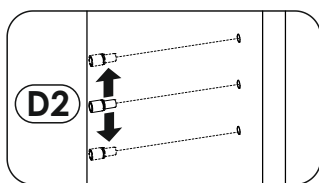
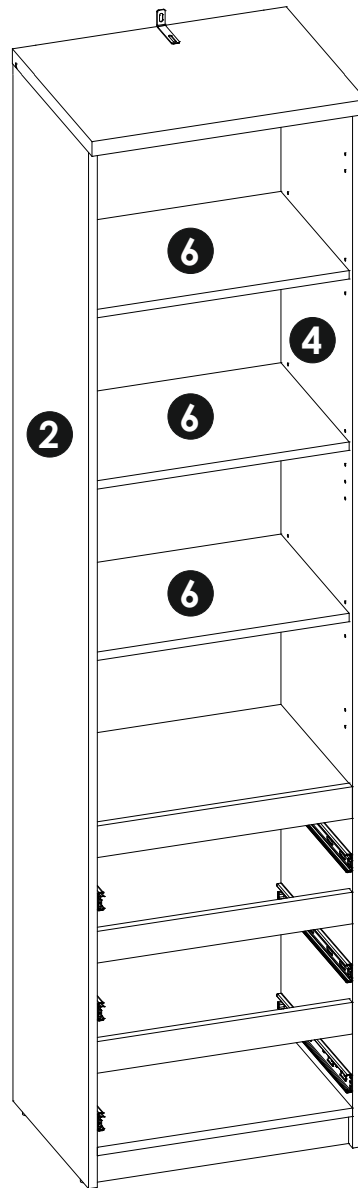
14 ▶



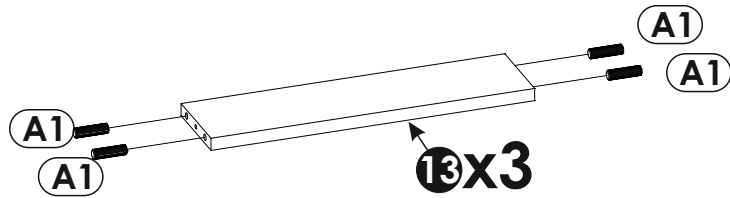
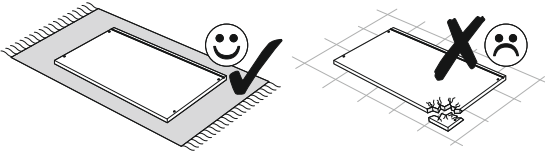
15▶



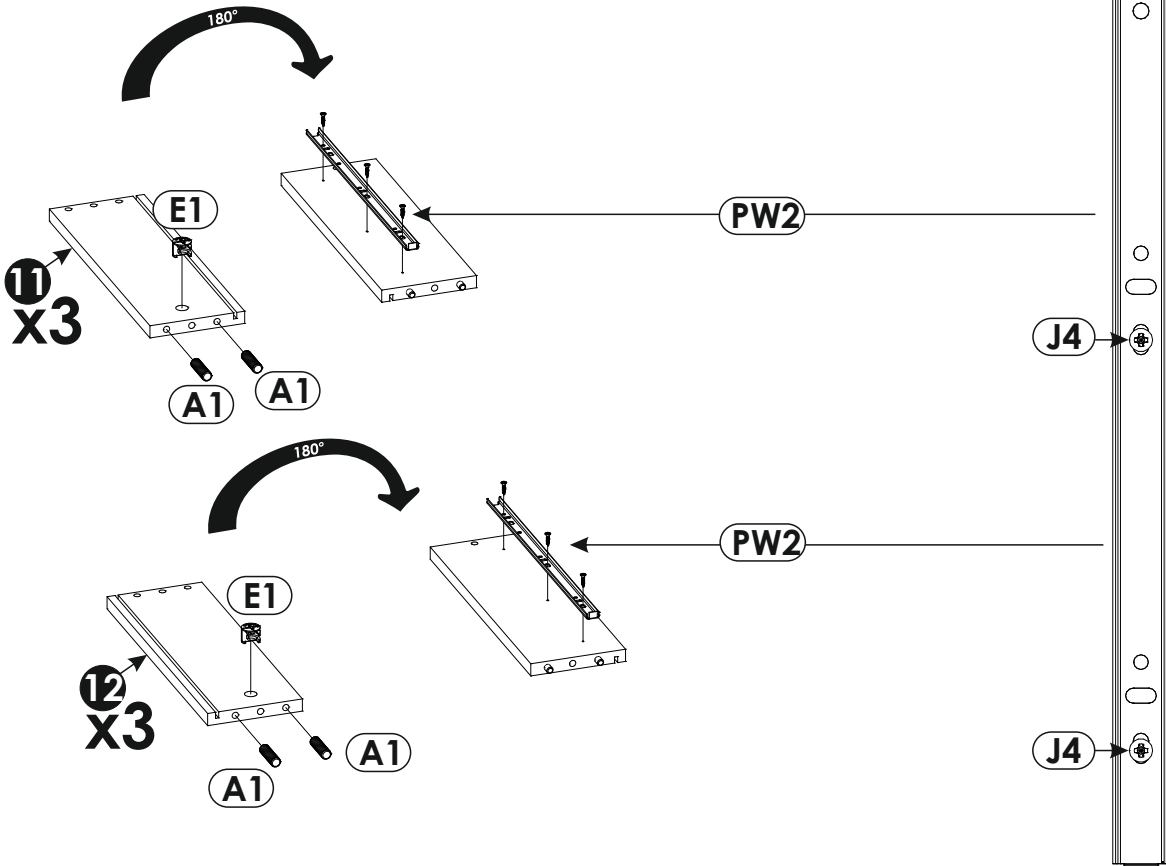
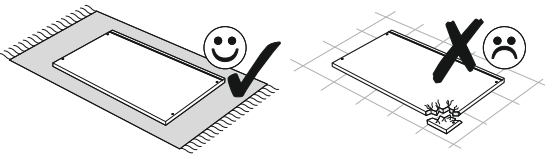
16▶



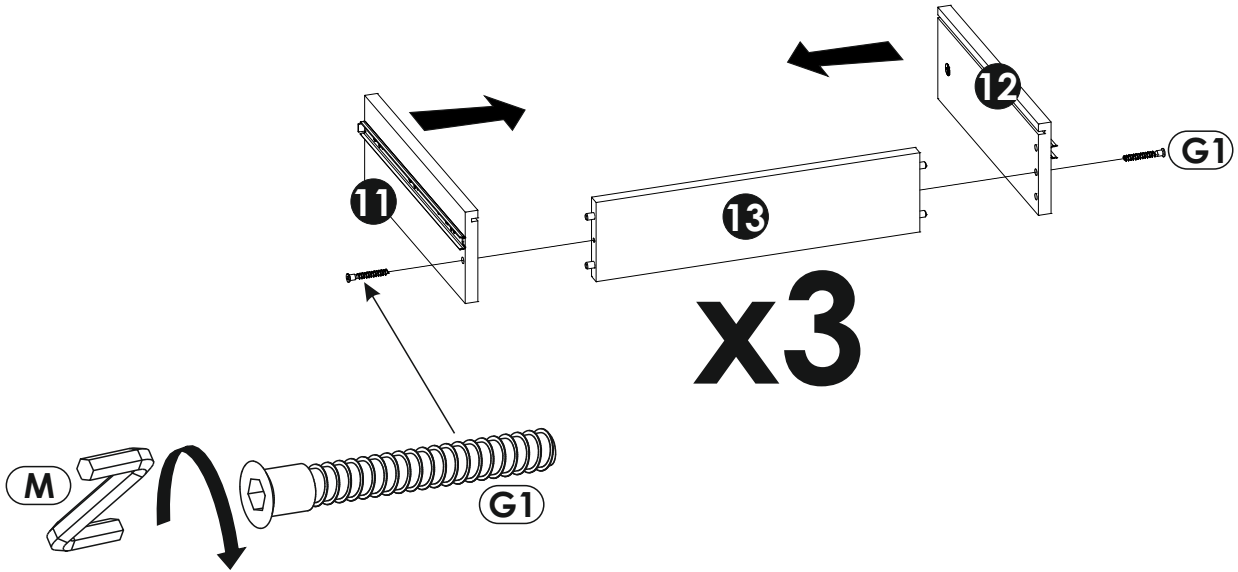
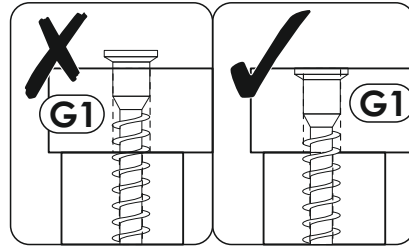
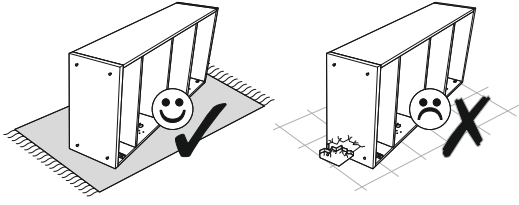
17▶



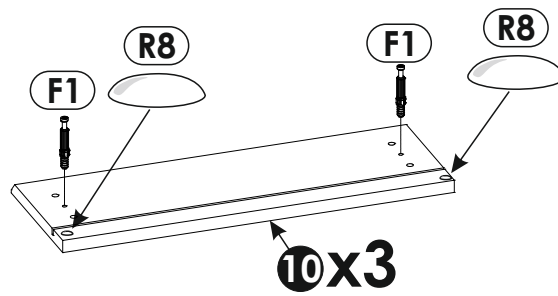
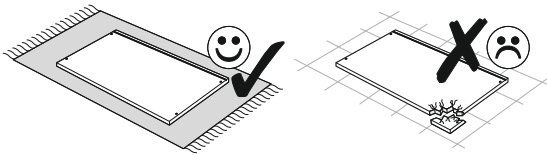
18▶



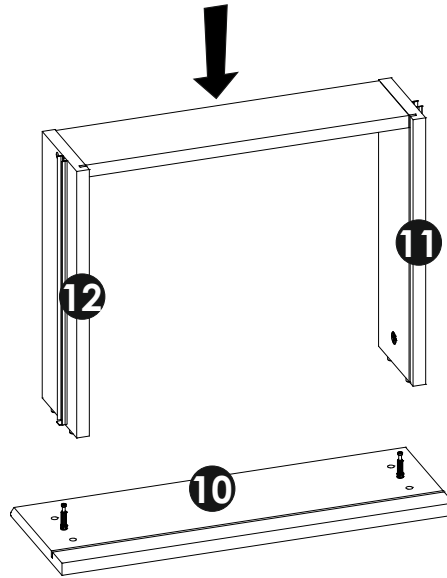
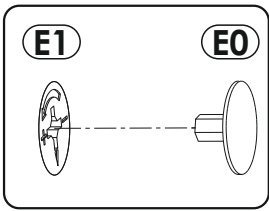
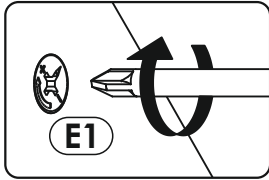
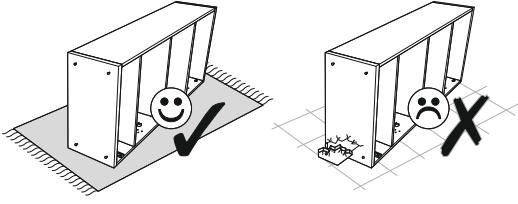
19▶



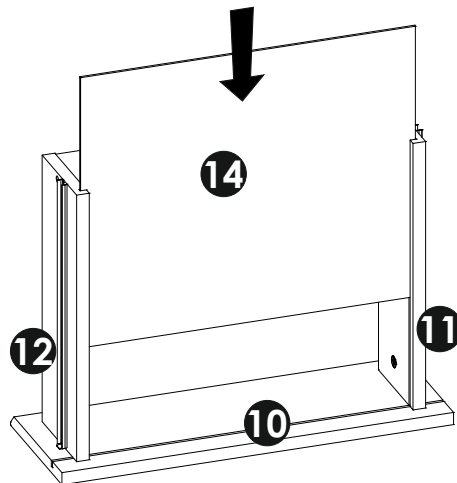
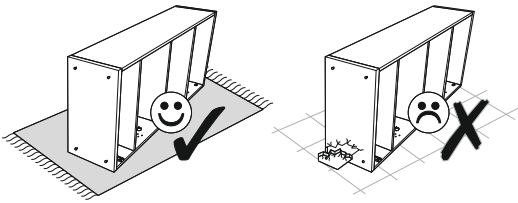
20▶



21▶

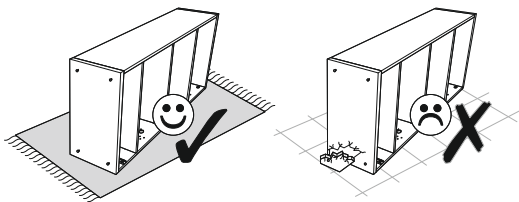


22▶

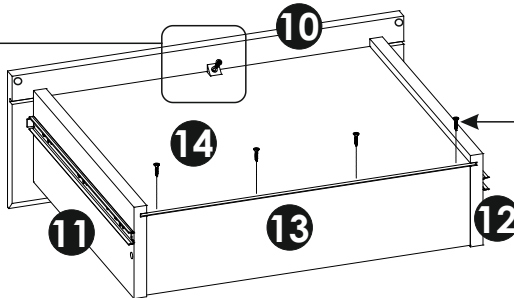
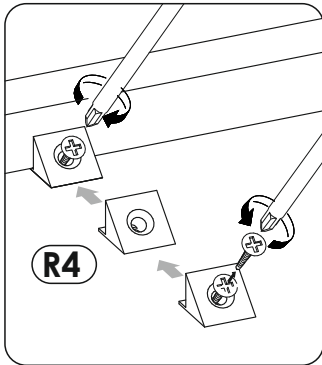




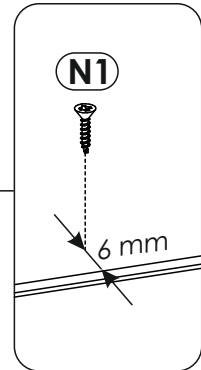
23▶



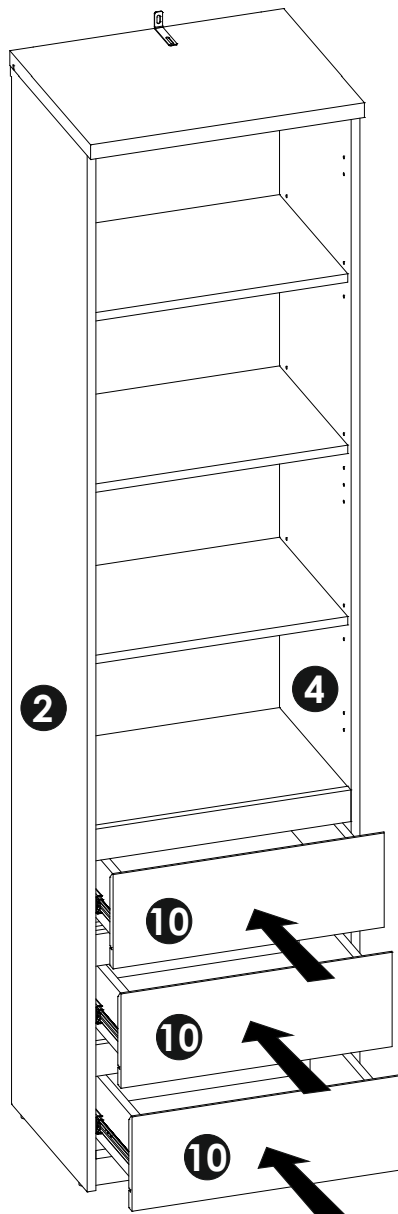
x3



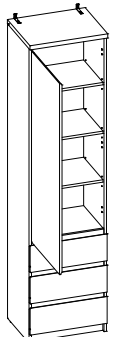
x4



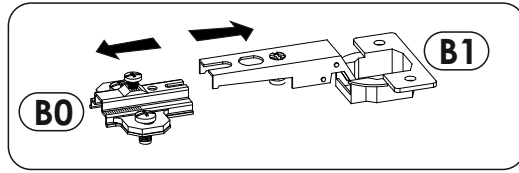
24▶



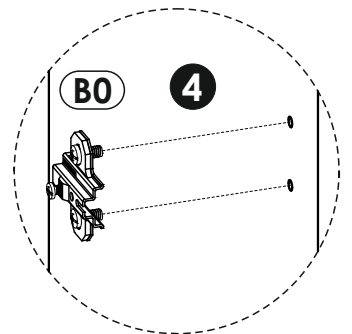
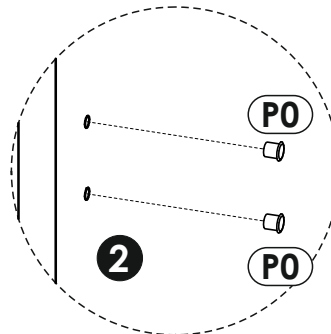
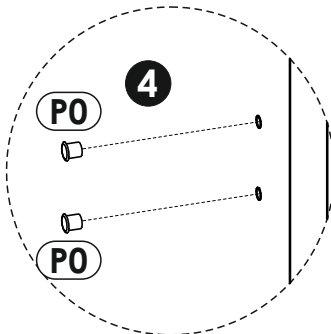
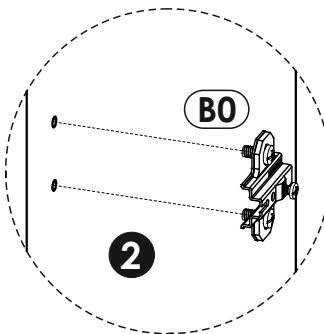
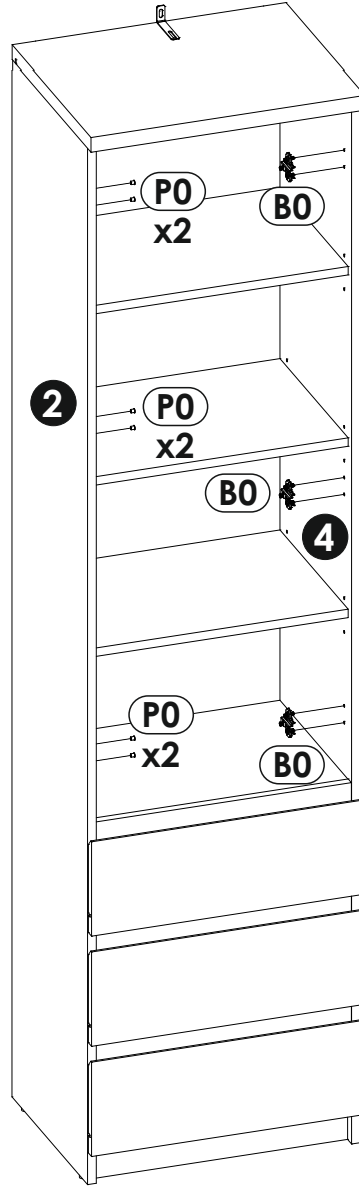
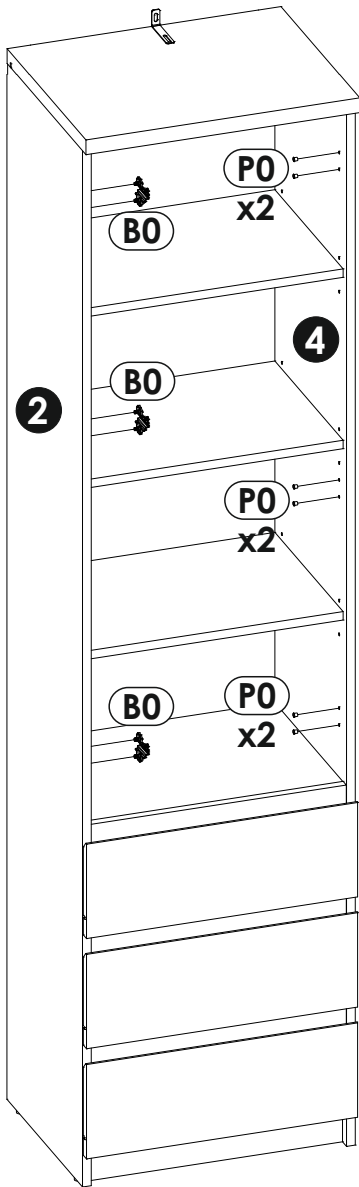
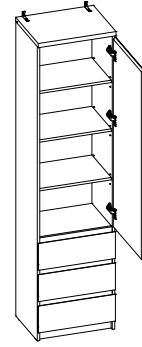
25 ▶



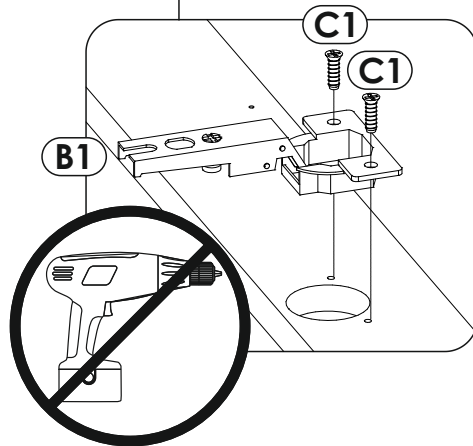
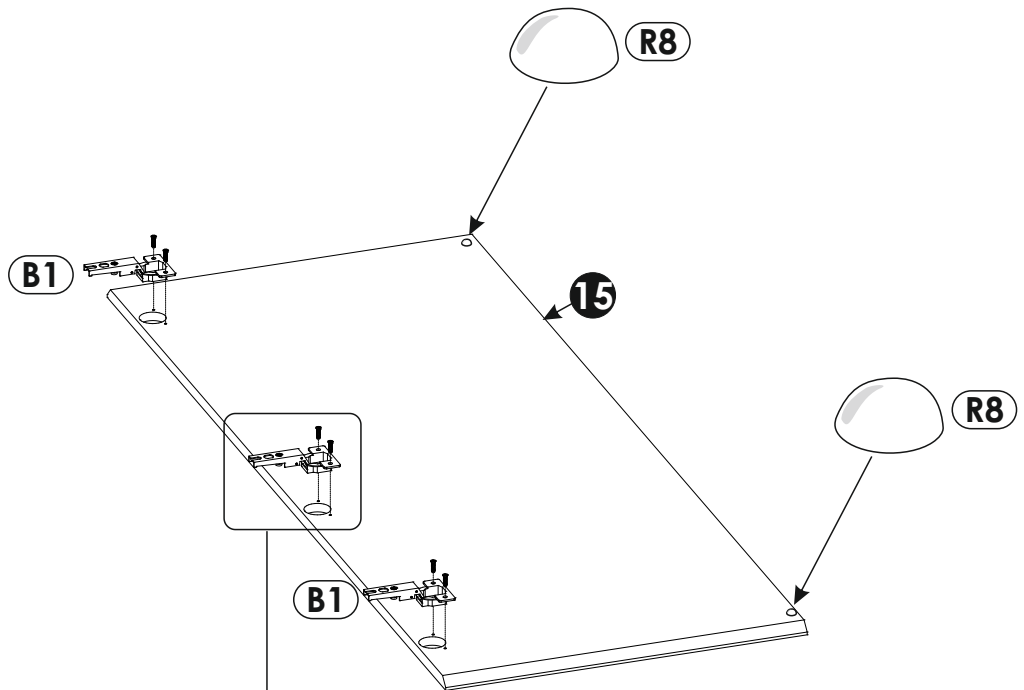
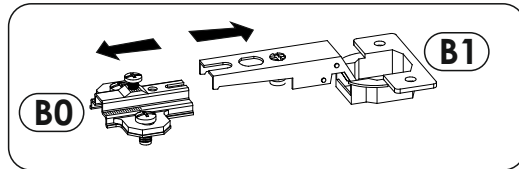
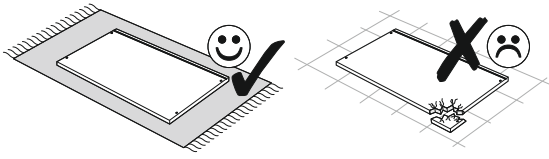
**L**

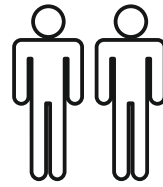
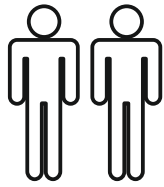


**R**



26▶





**L**

**R**

