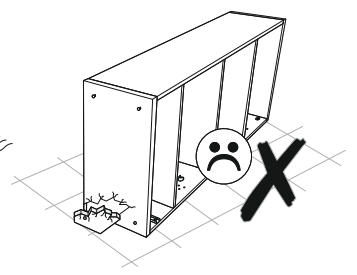
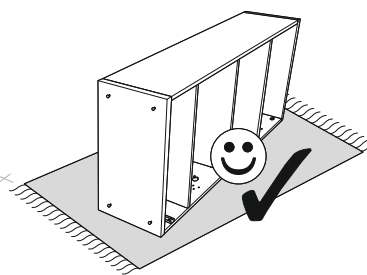
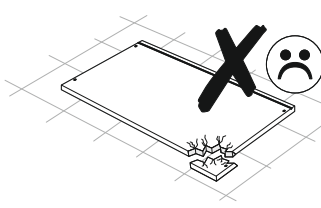
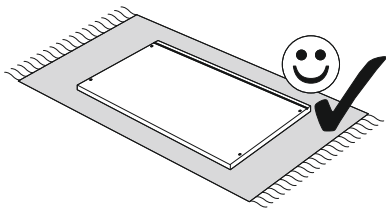
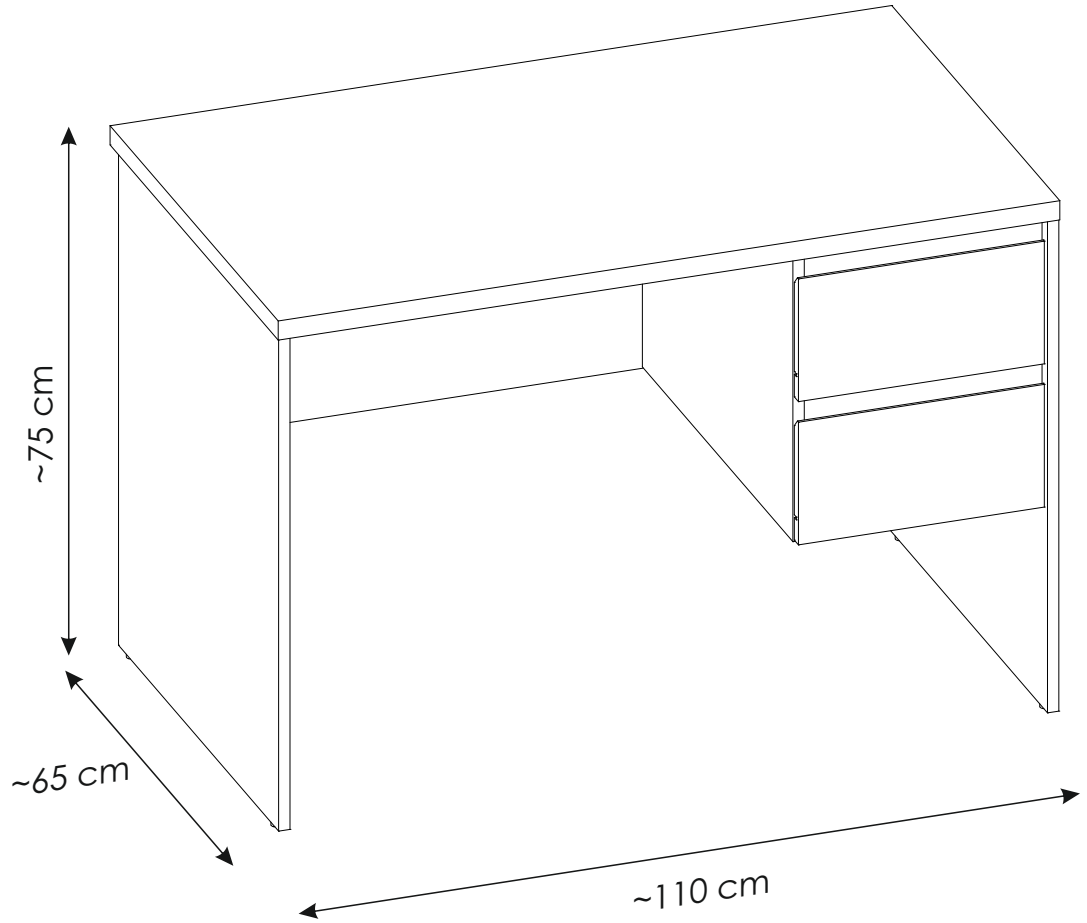
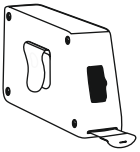
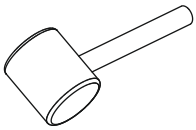
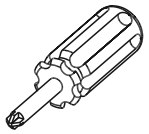
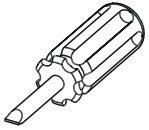
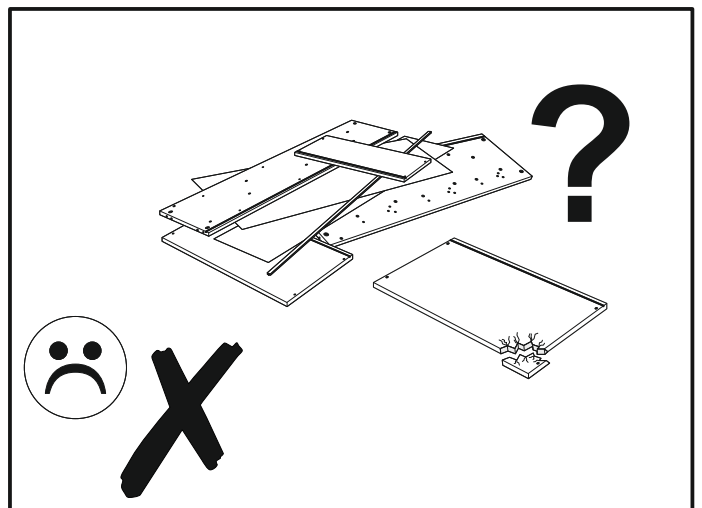
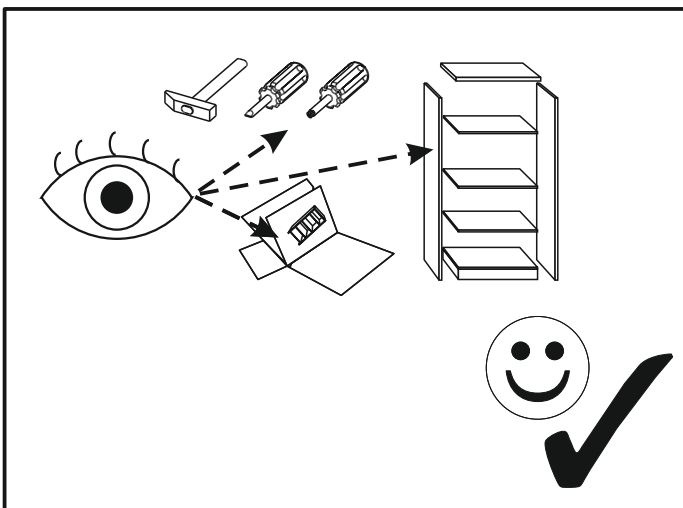
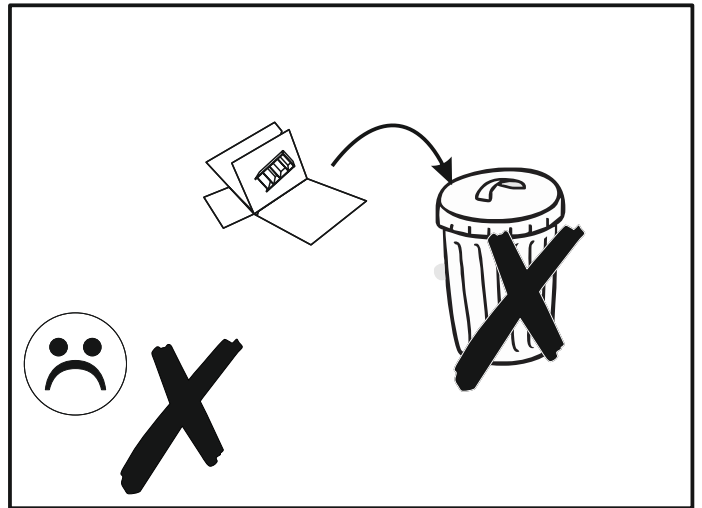
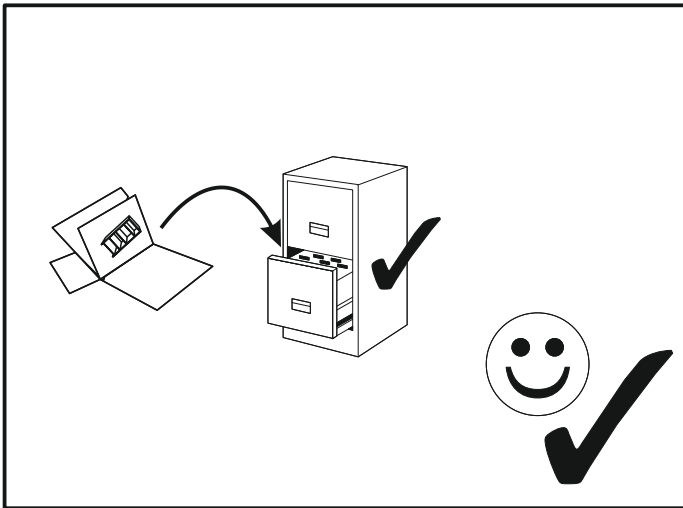
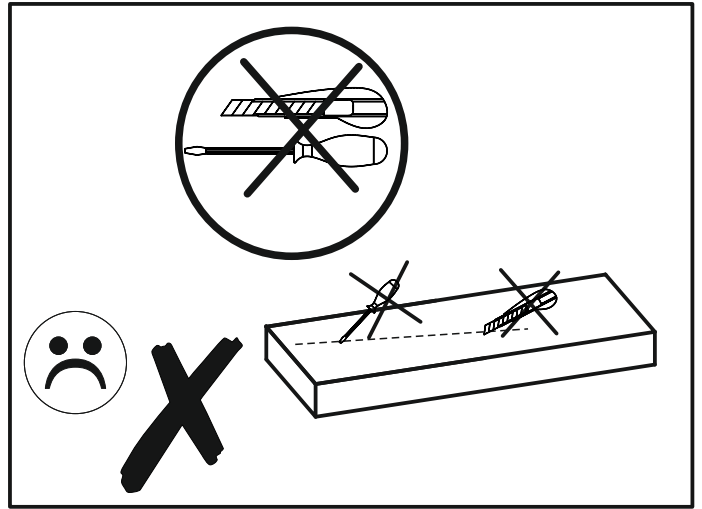
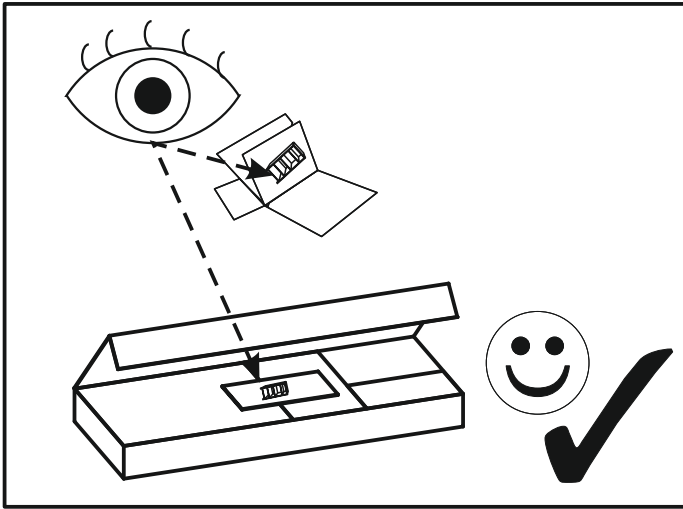
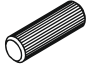

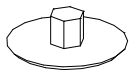

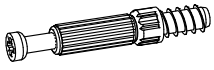

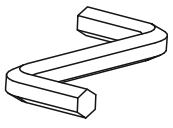
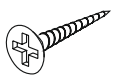
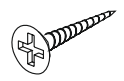

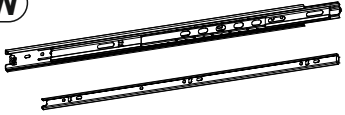
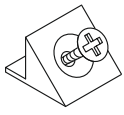
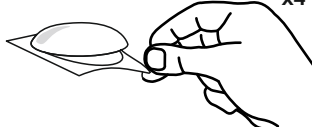


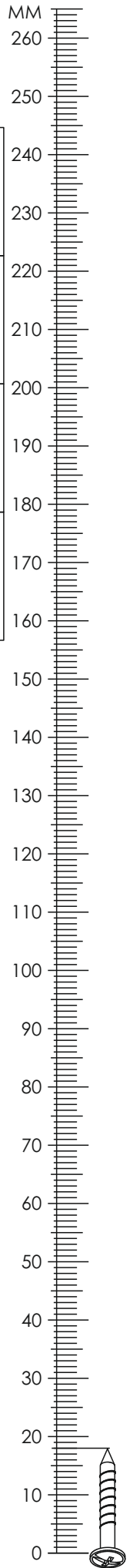


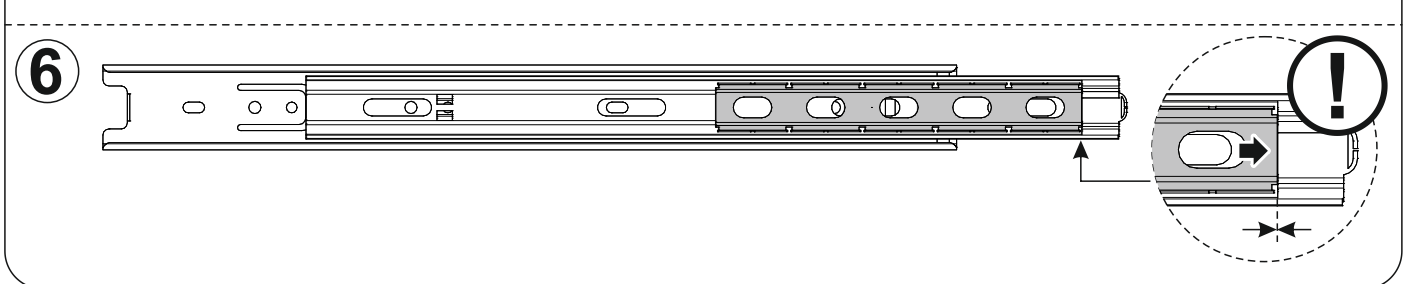
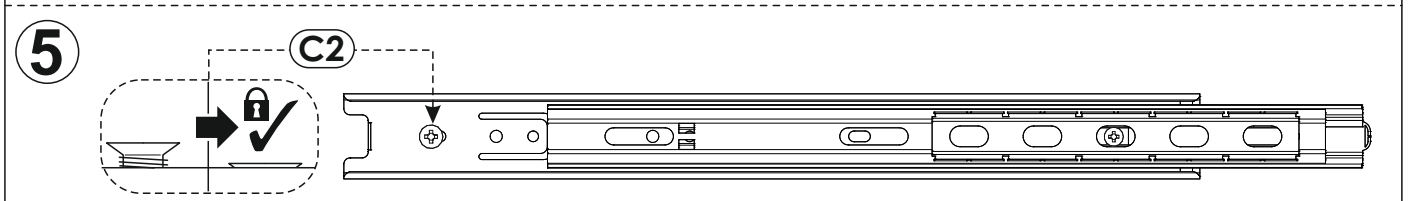
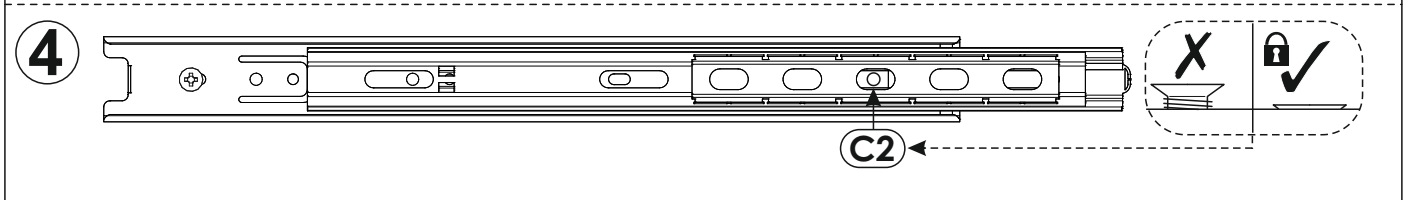
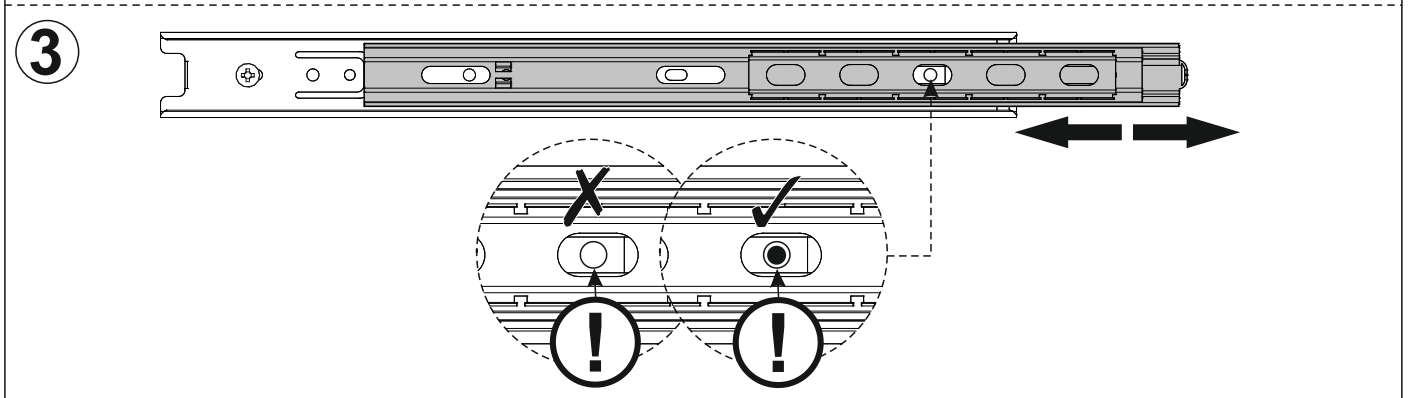
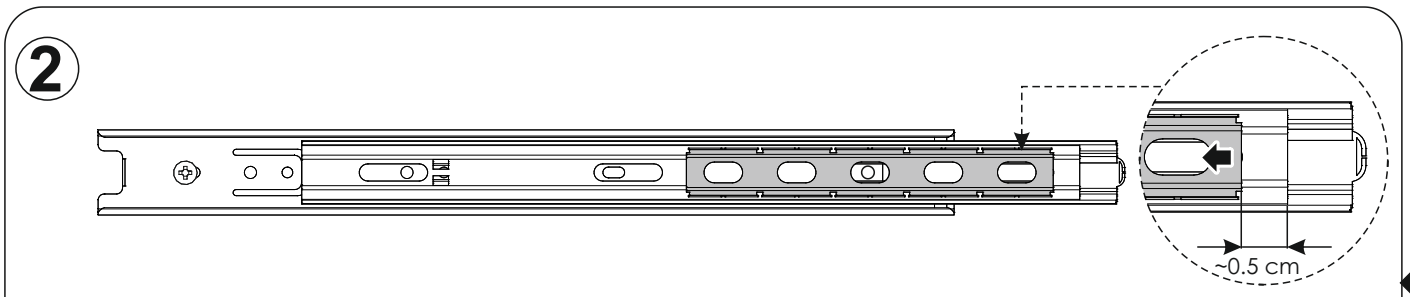
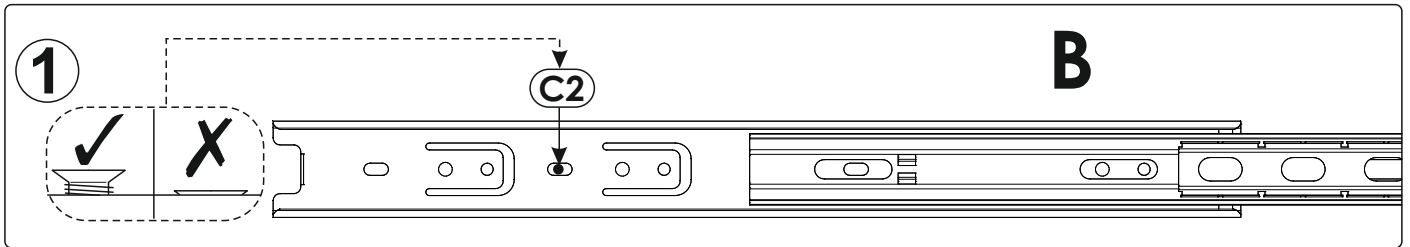
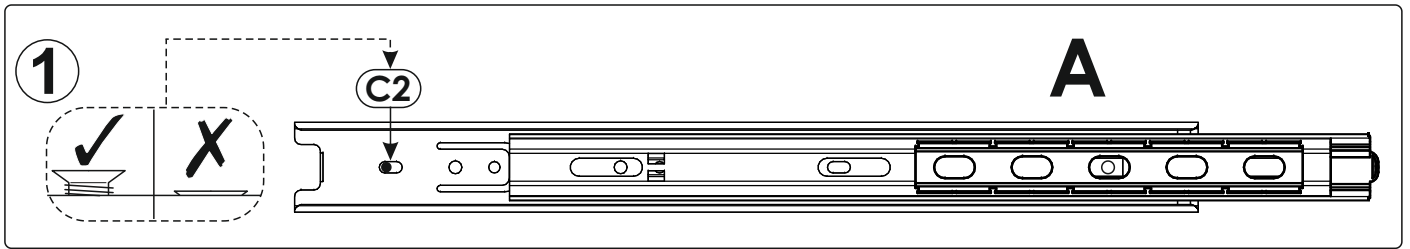
80 min

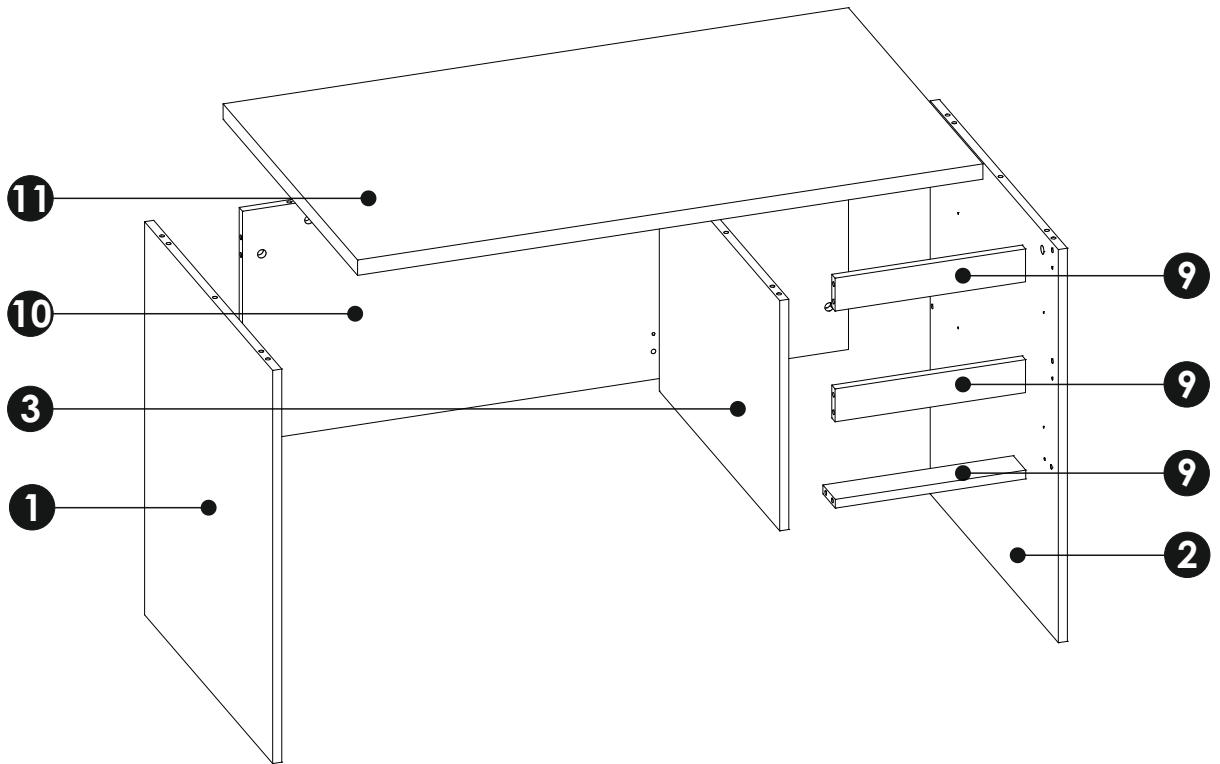
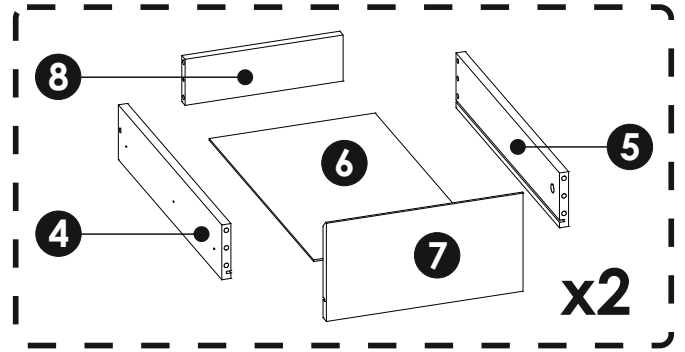
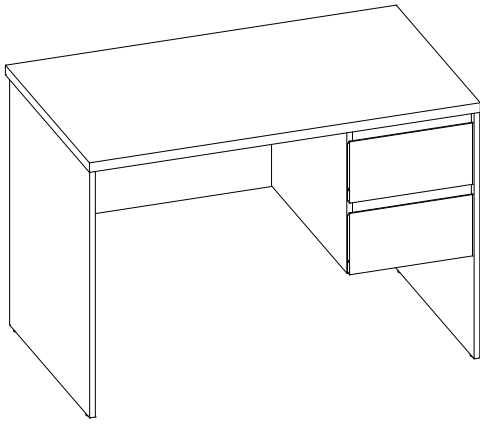




A1 8 x 35 mm x40 	C2 5 x 13 mm x8 	E0 Ø16 x10 
E1 15 x 12 mm x25 	F1 6 x 34 mm x25 	G1 7 x 50 mm x4 
M x1 	N1 3 X 16 mm x10 	N2 3,5 X 16mm x12 
O2 x4 	PW x4 	R4 x2 
R8 x4 		

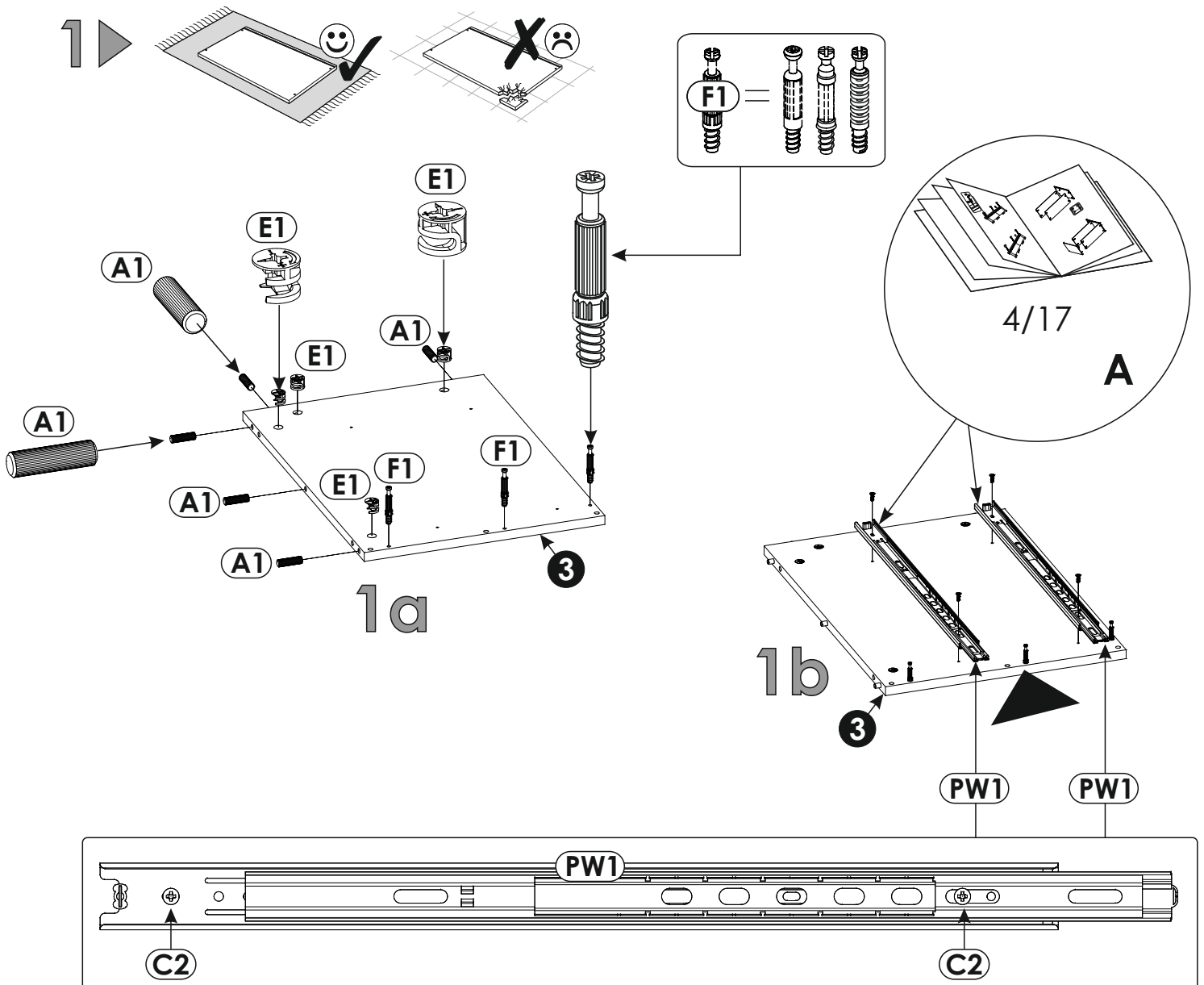
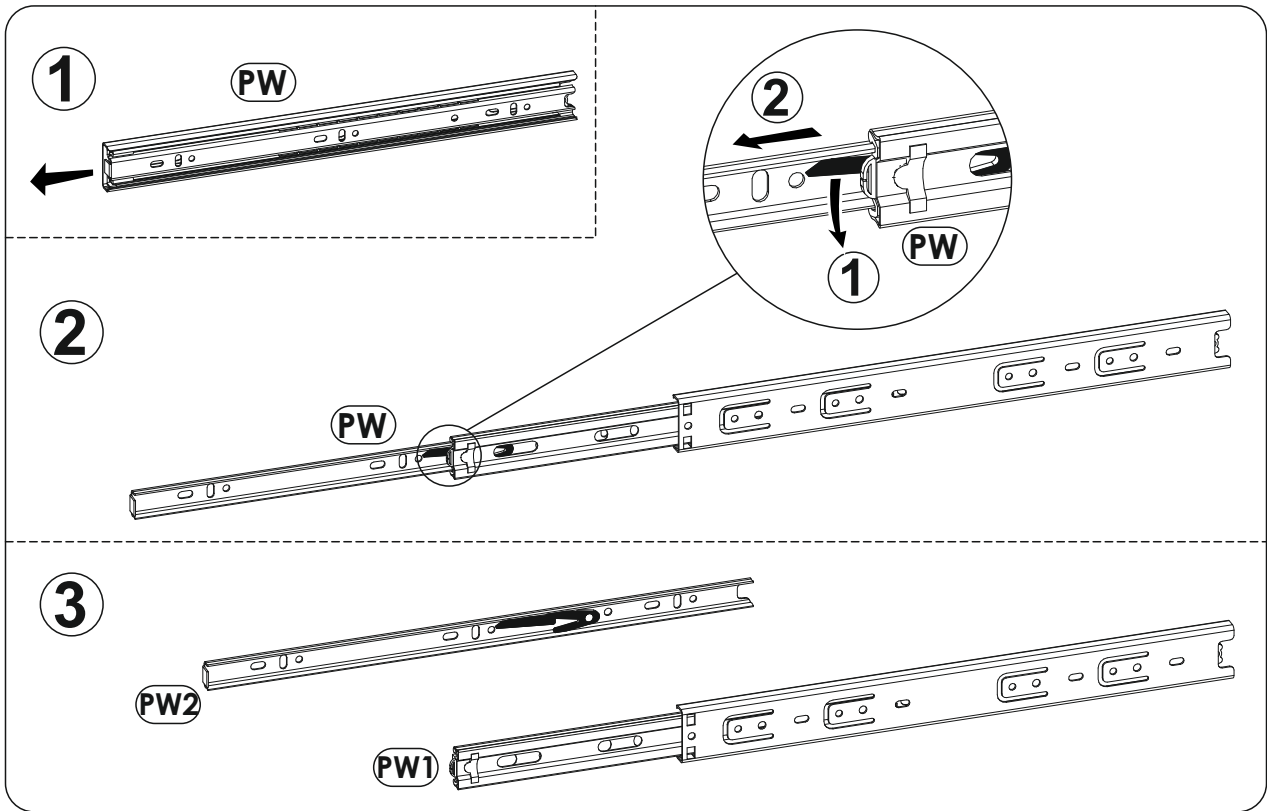


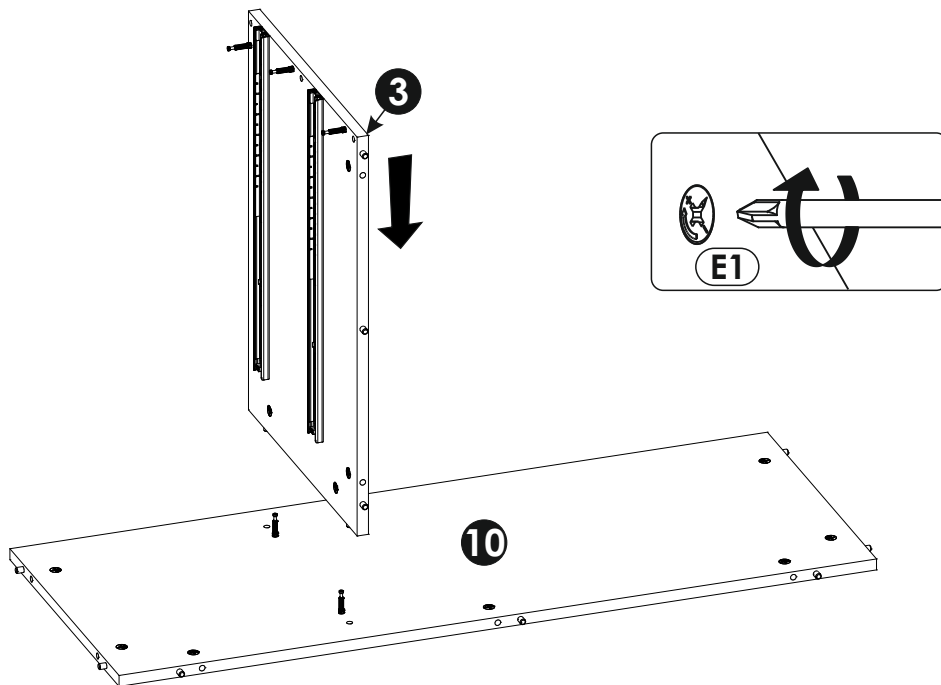
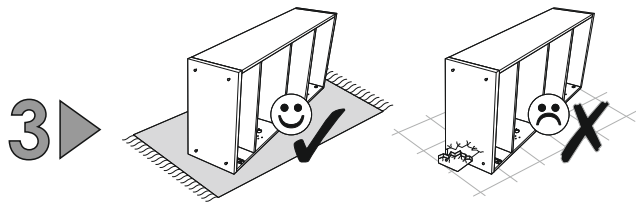
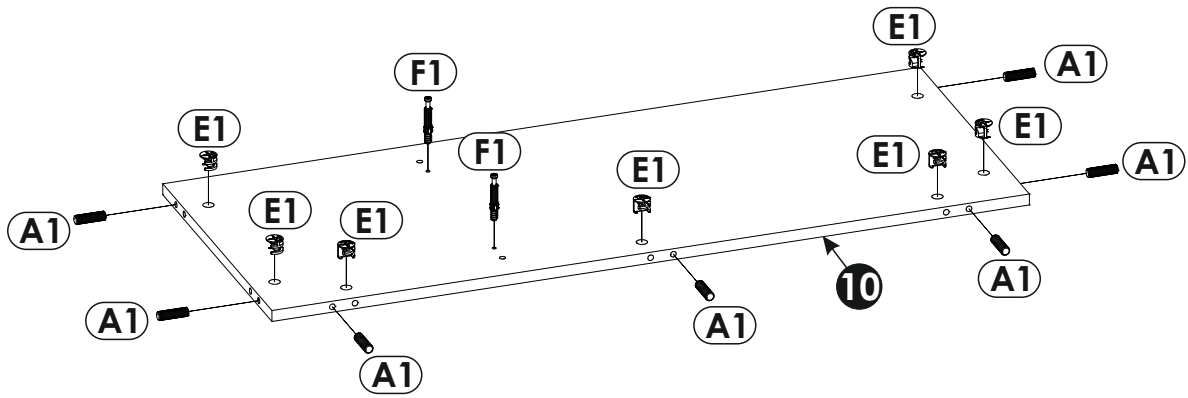
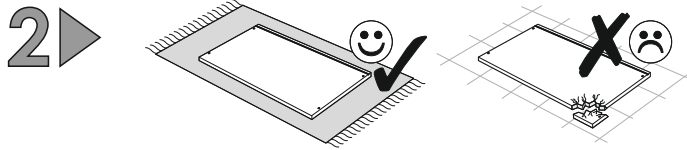
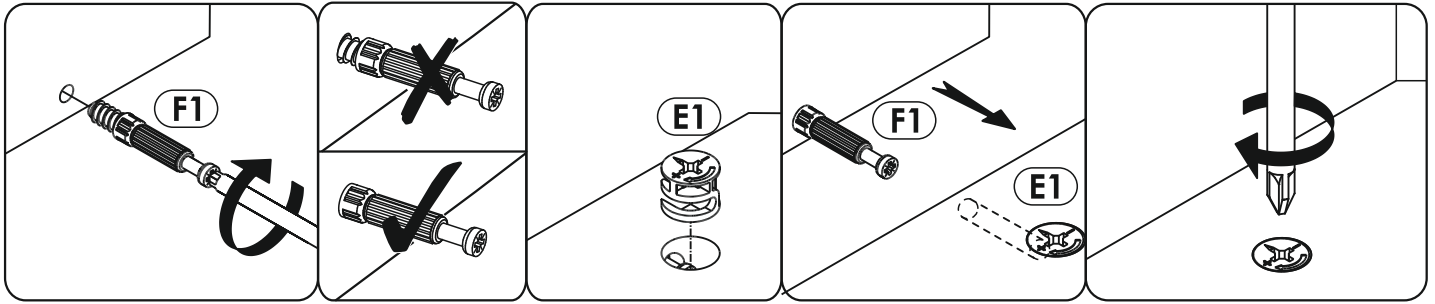




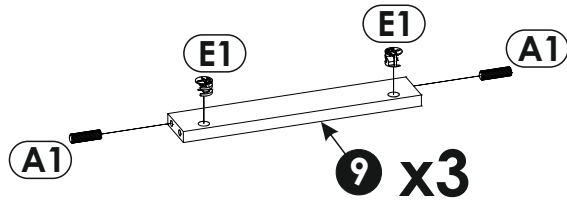
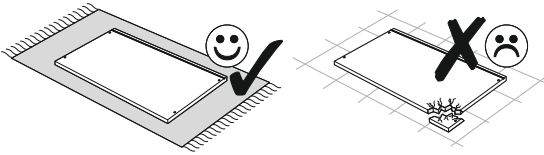
1	717	619	16 x1 1/2
2	717	619	16 x1 1/2
3	420	582	16 x1 1/2
4	500	100	16 x2 1/2
5	500	100	16 x2 1/2
6	292	505	3 x2 1/2

7	346	179	16 x2 1/2
8	278	84	16 x2 1/2
9	335	60	16 x3 1/2
10	1066	422	16 x1 2/2
11	1100	650	28 x1 2/2

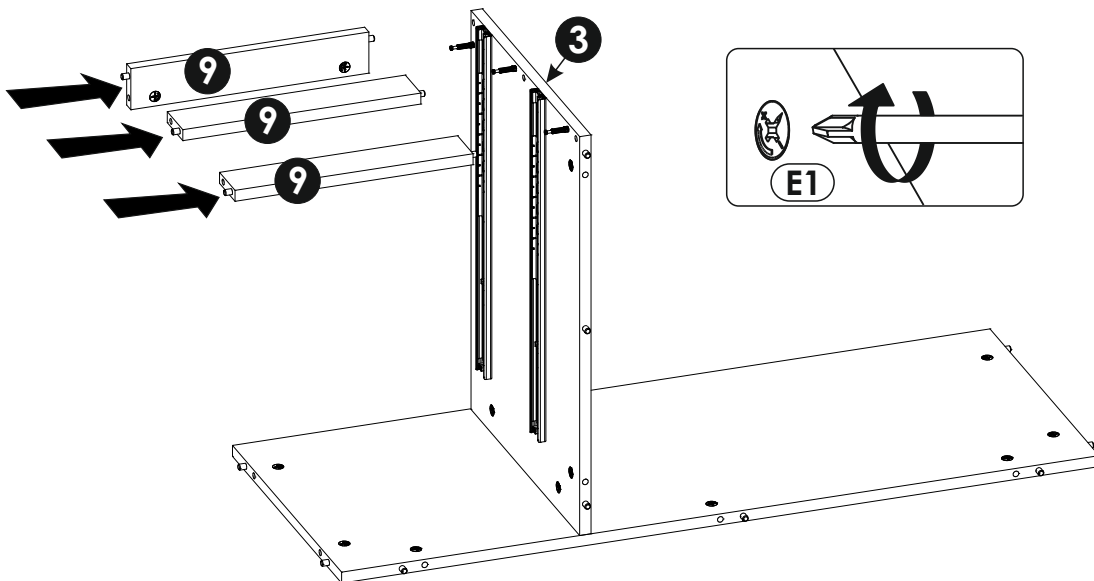
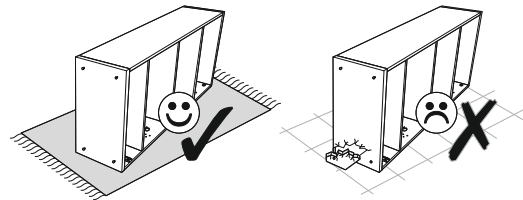


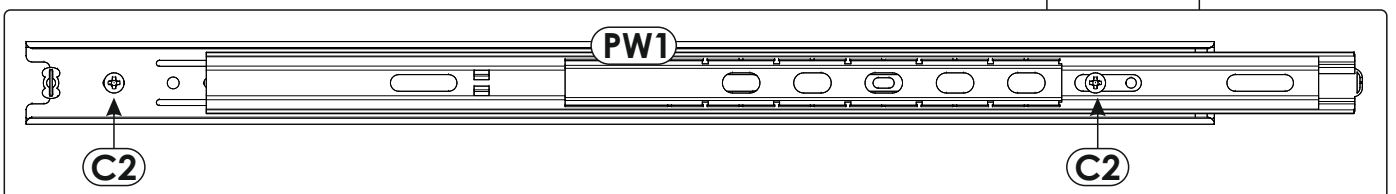
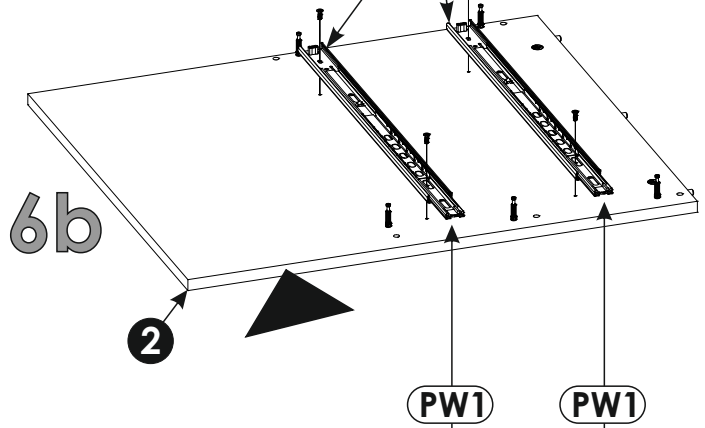
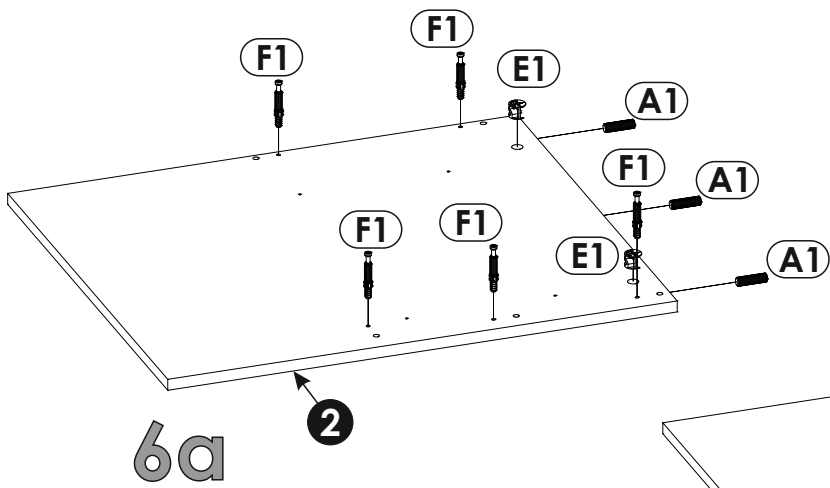
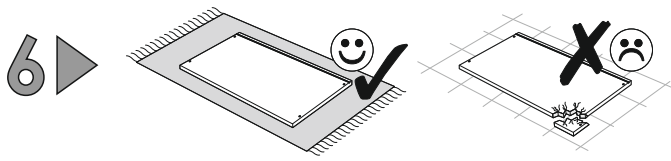
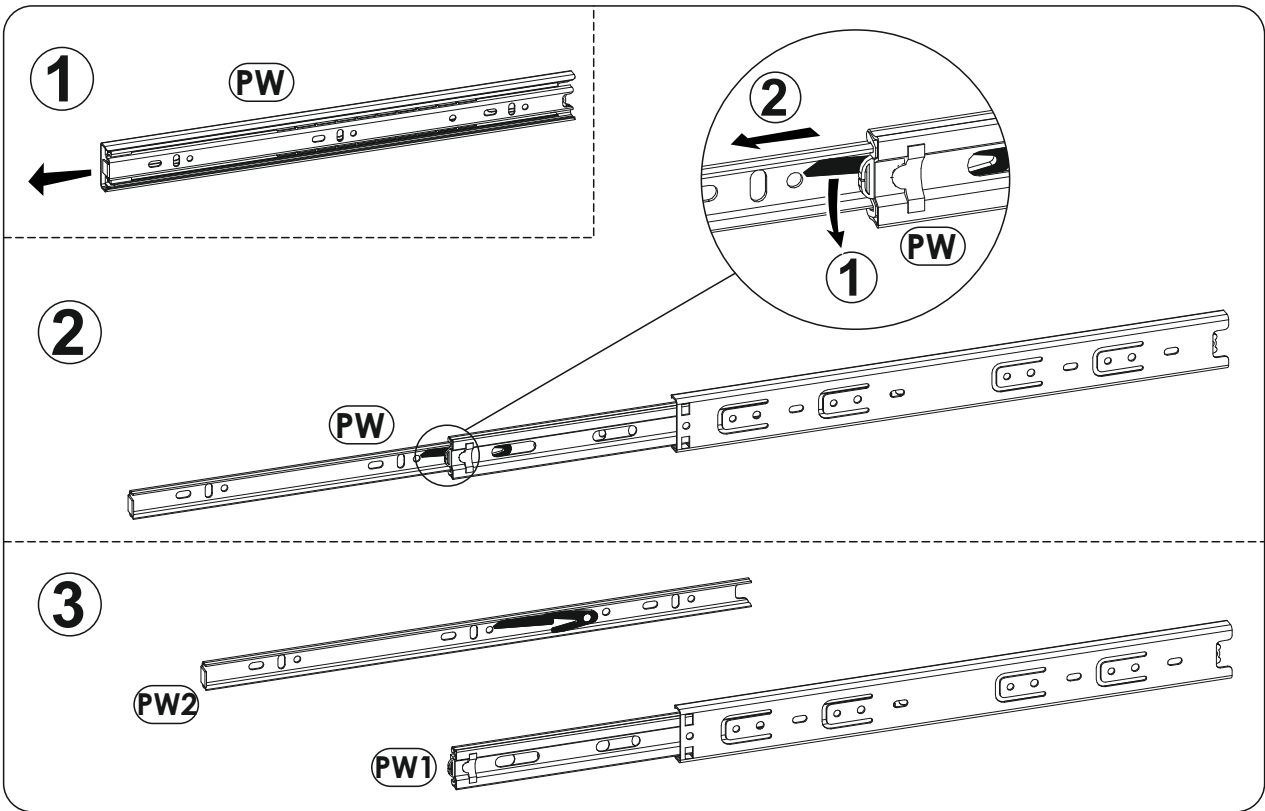


4 ▶

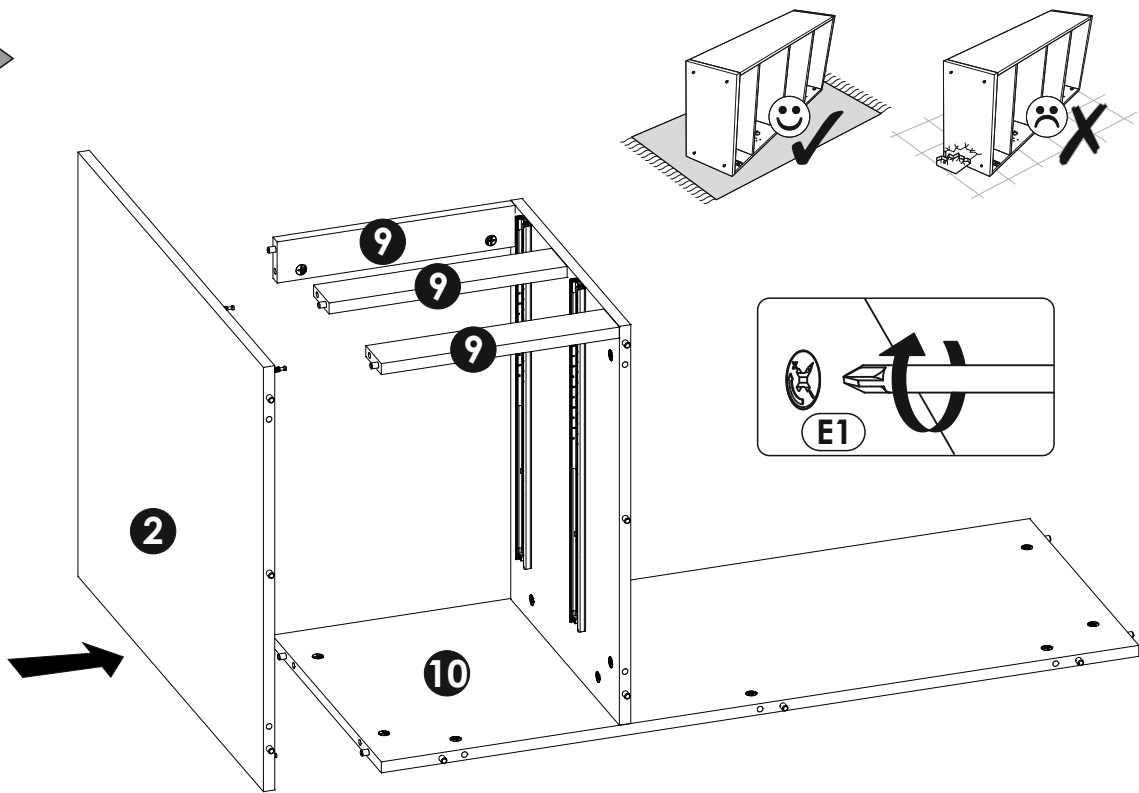


5 ▶

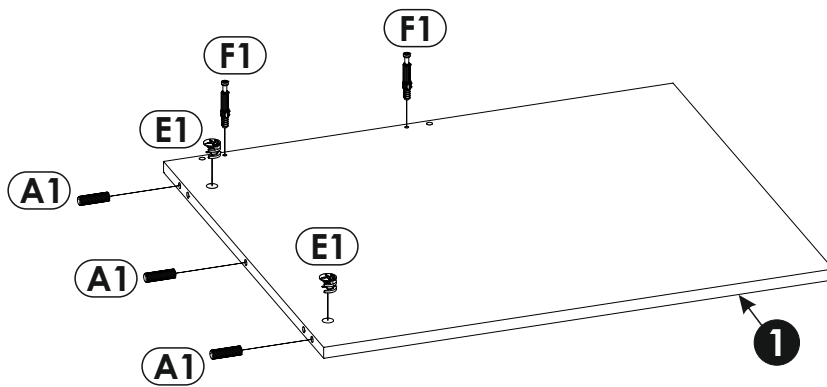
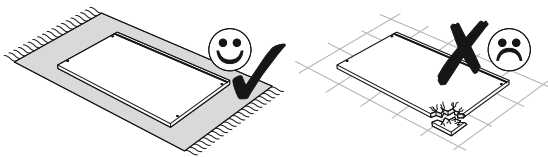




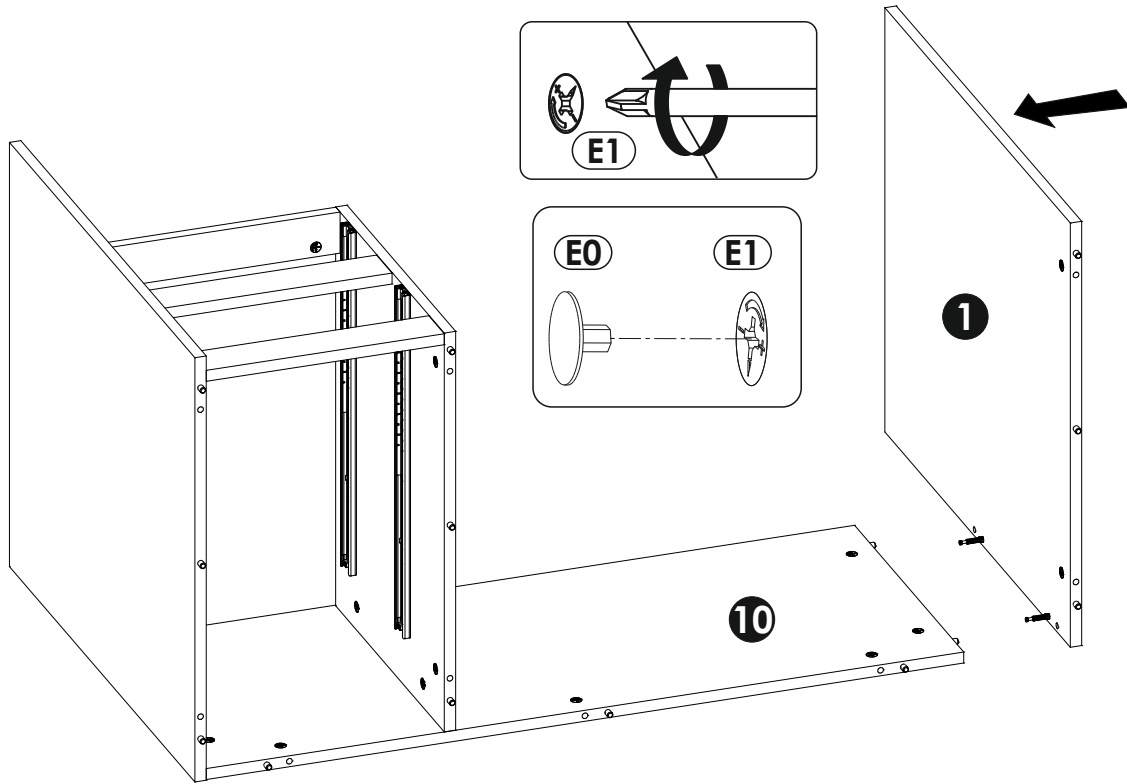
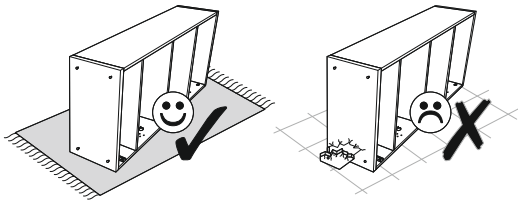
7 ▶



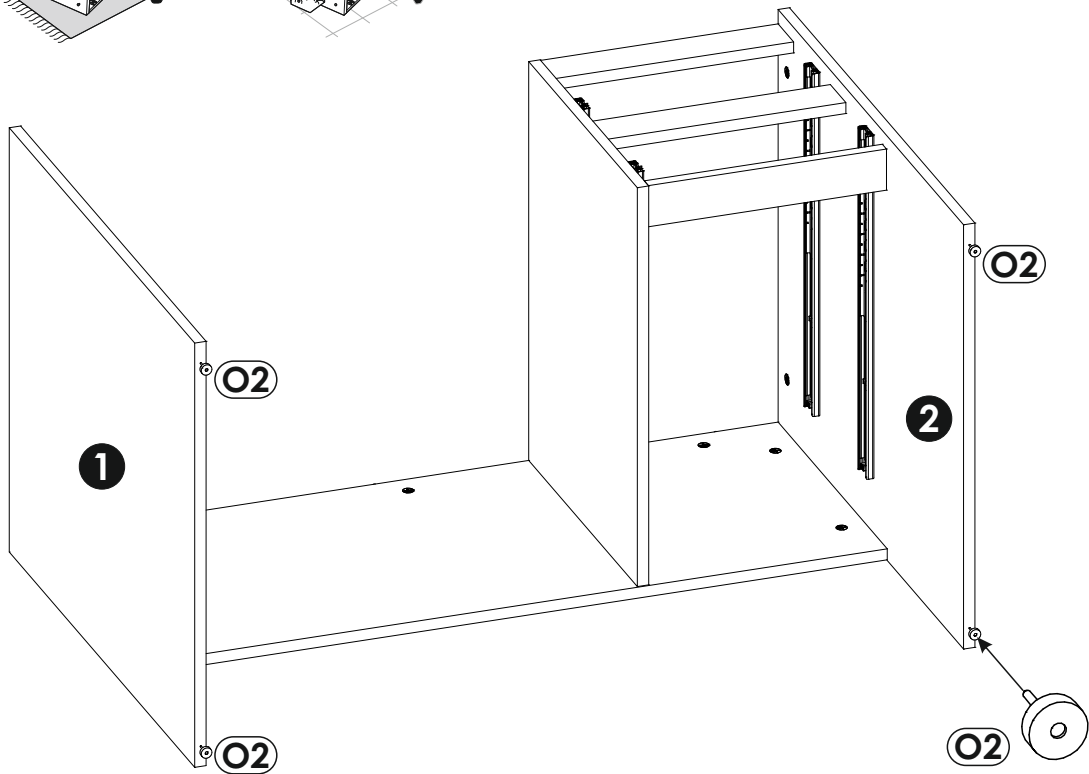
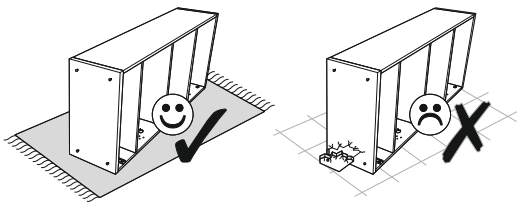
8 ▶



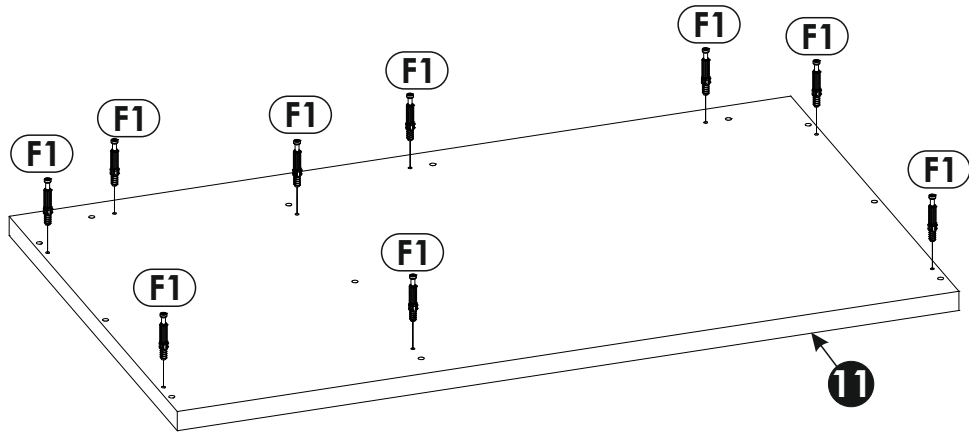
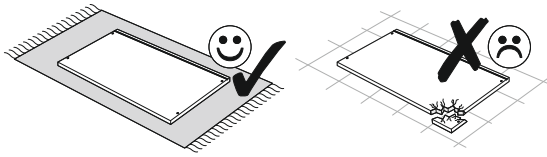
9 ▶



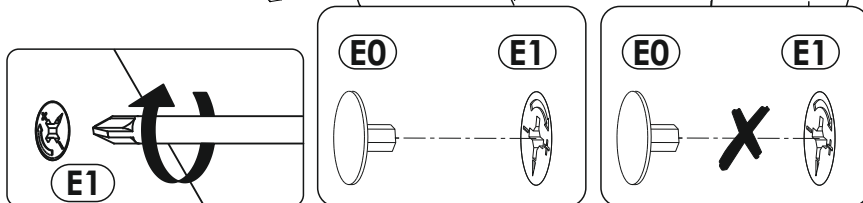
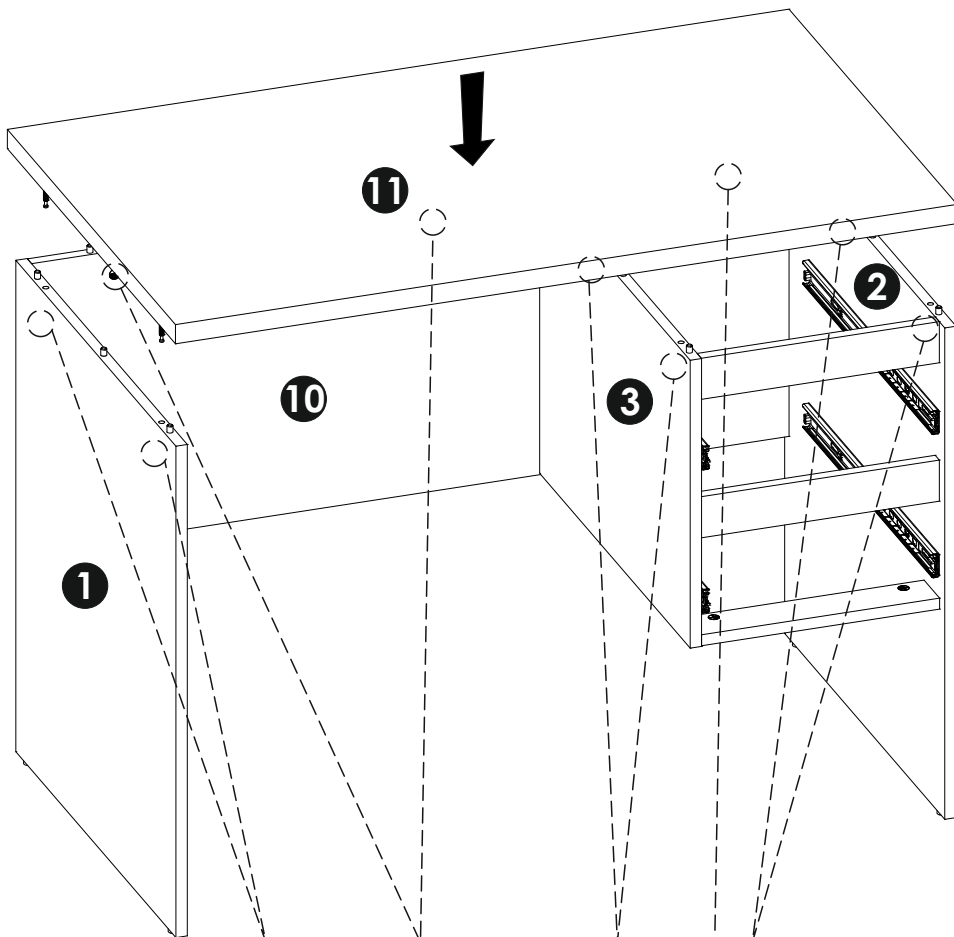
10 ▶



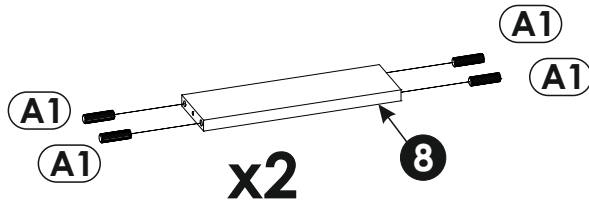
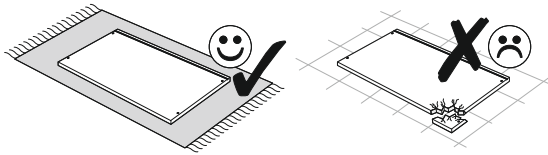
11▶



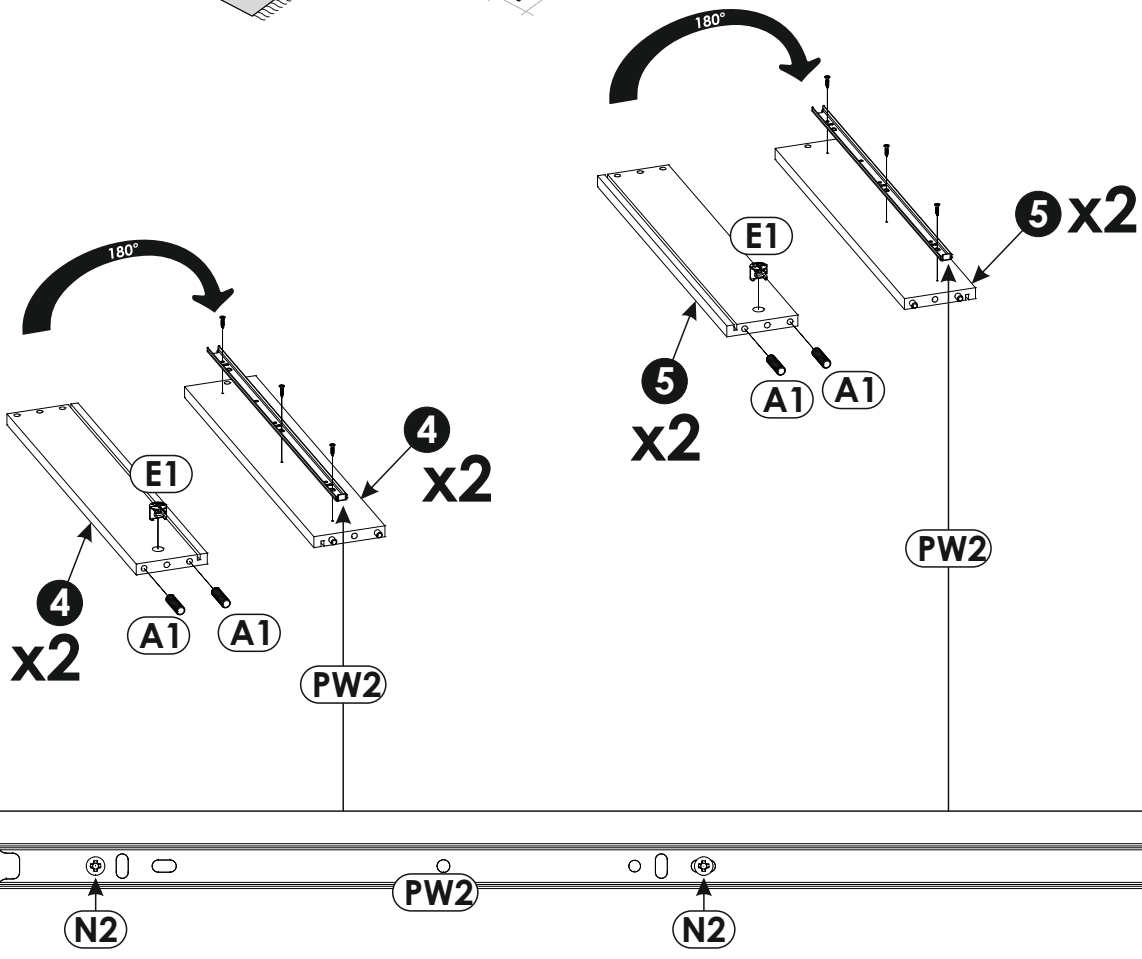
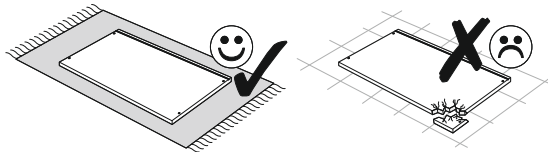
12▶

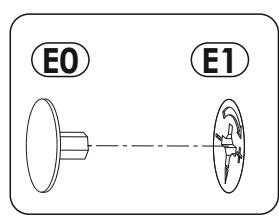
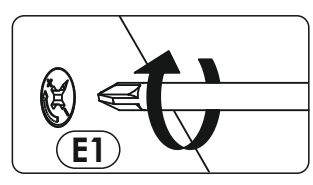
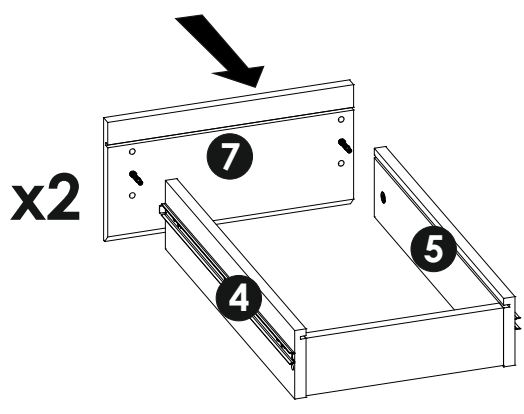
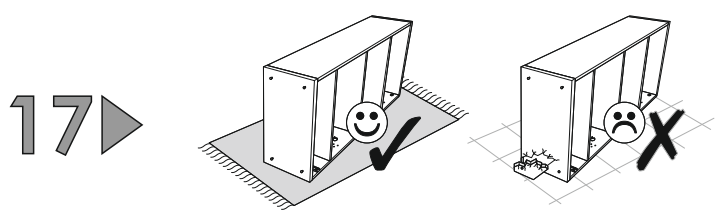
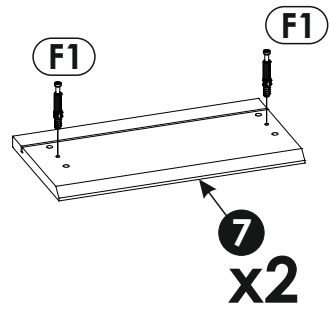
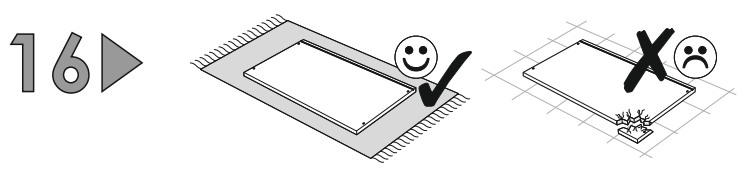
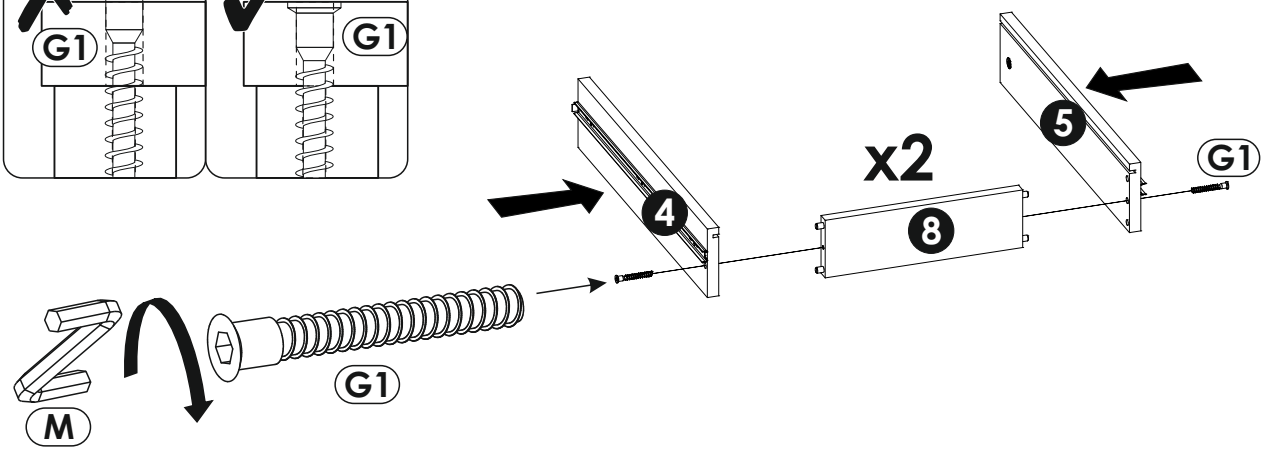
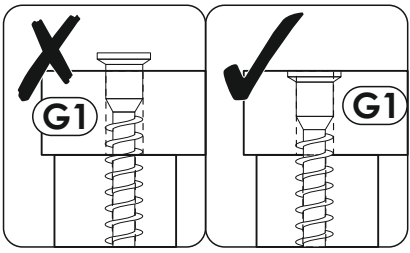
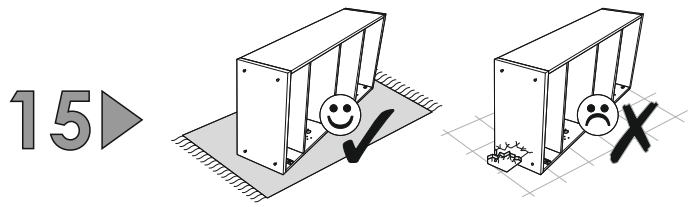


13▶

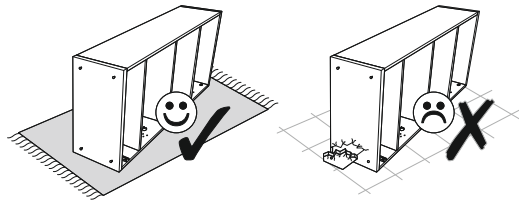
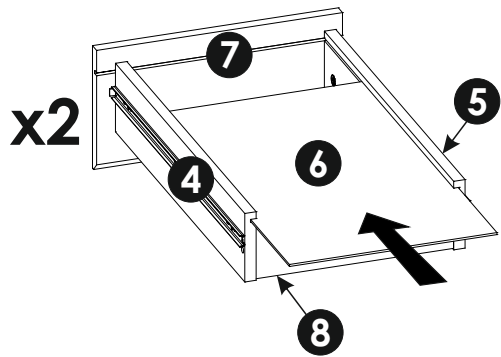


14▶

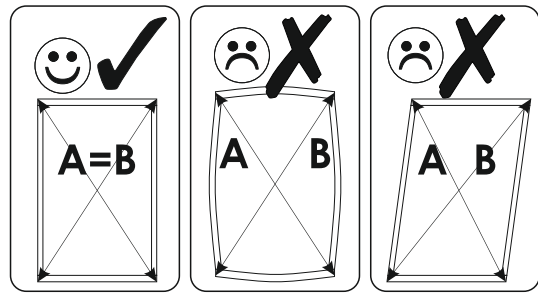
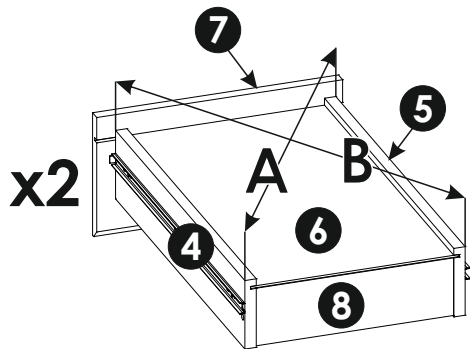
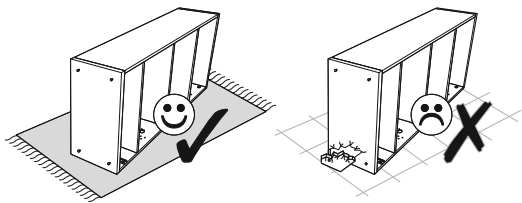




18 ▶

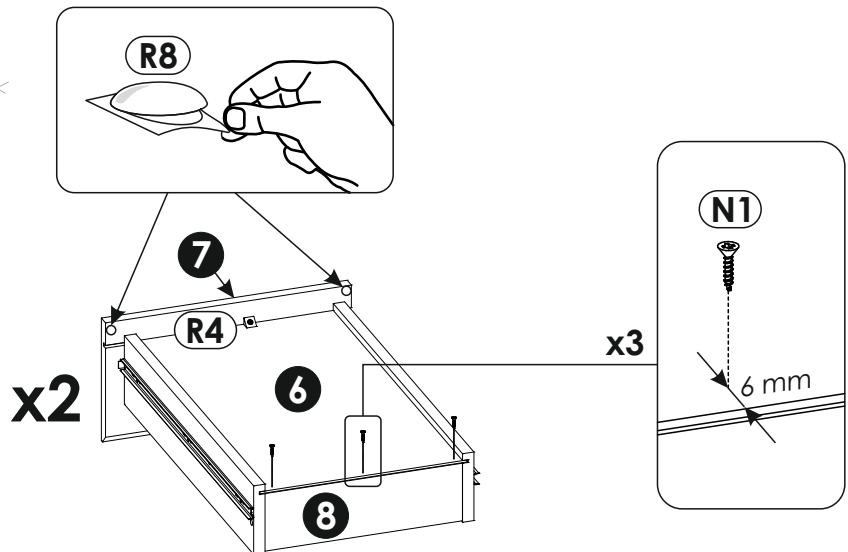
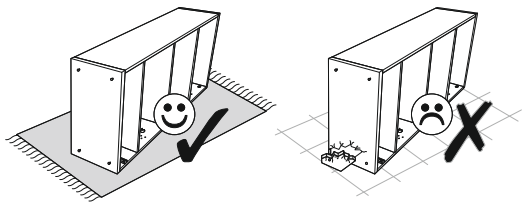


19 ▶

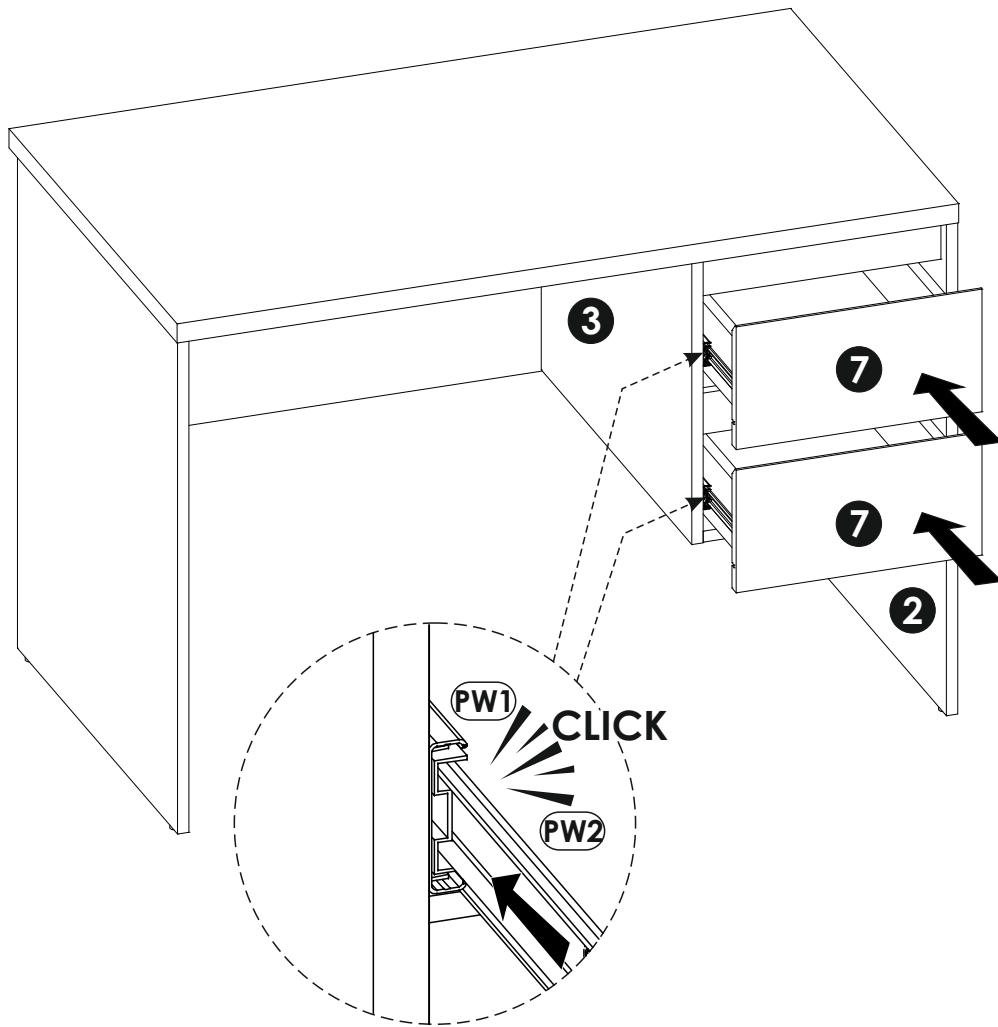


A=B

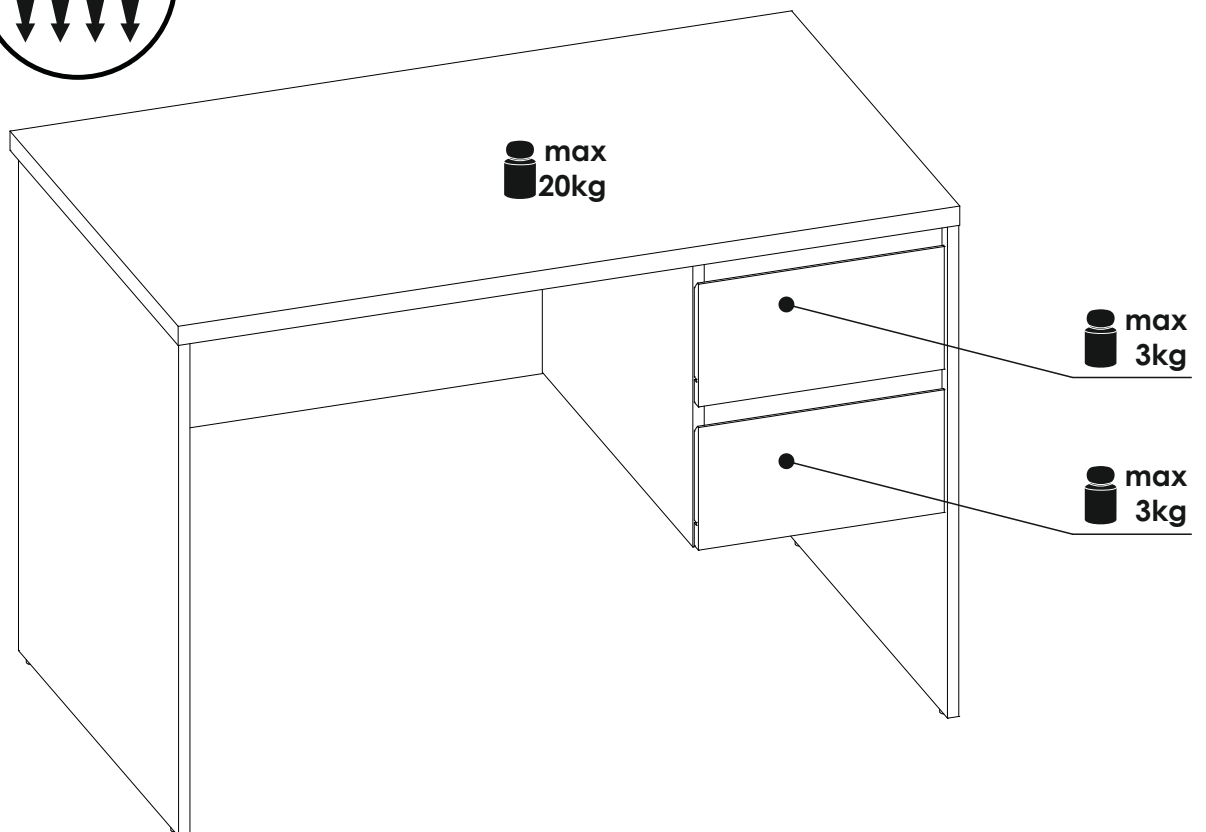
20 ▶

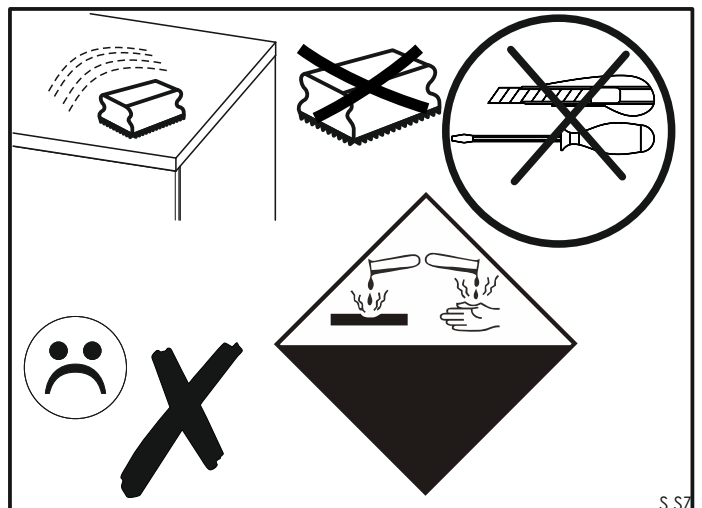
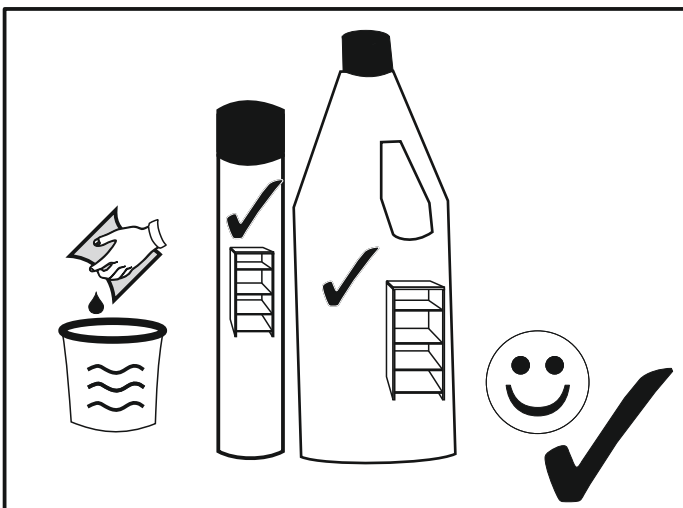
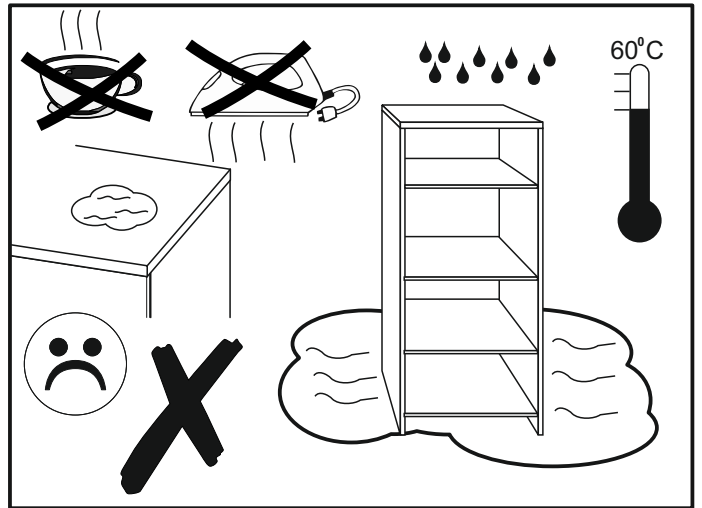
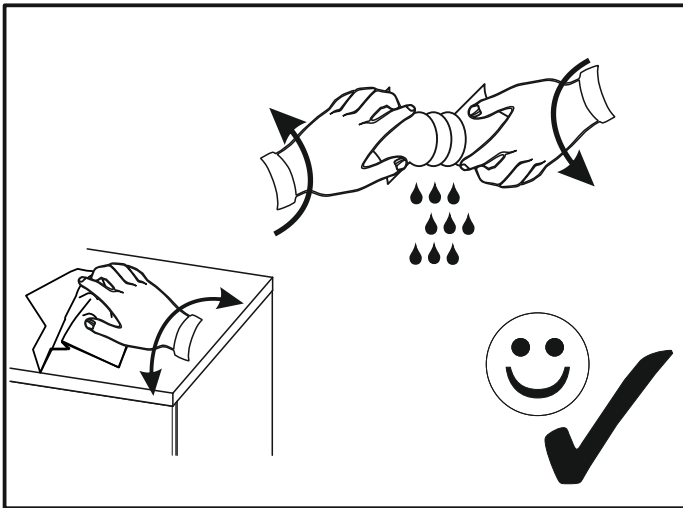
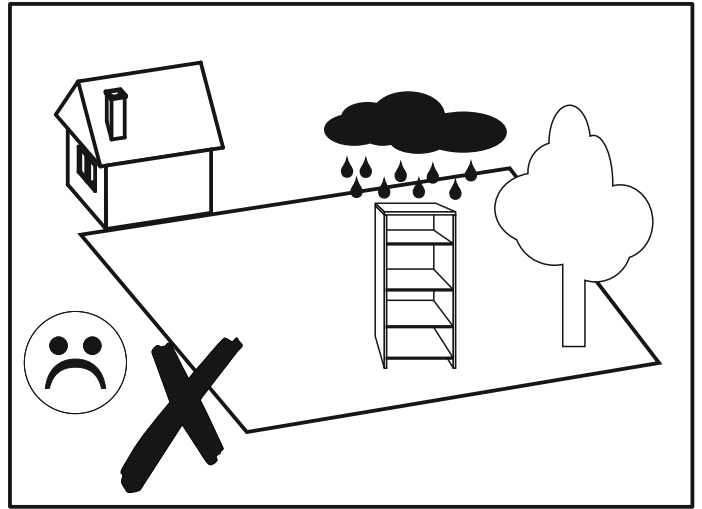
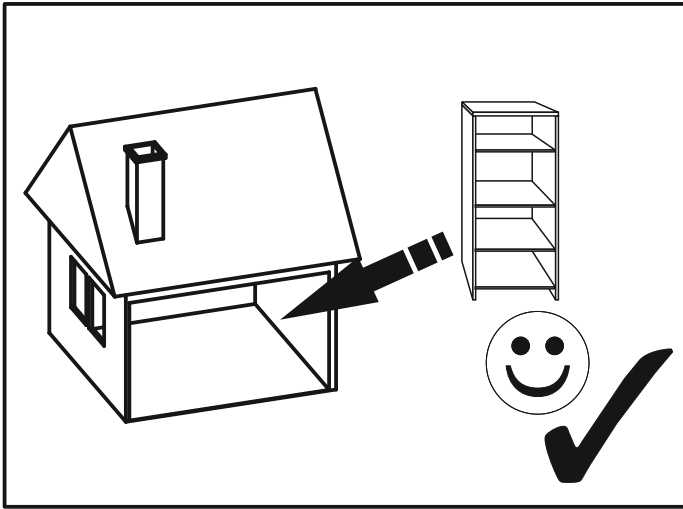


21▶



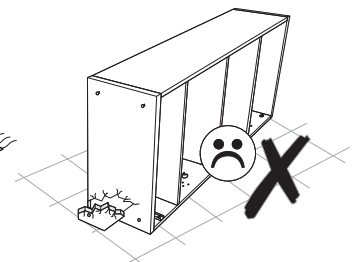
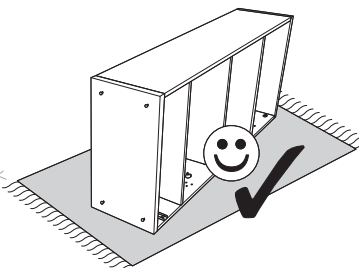
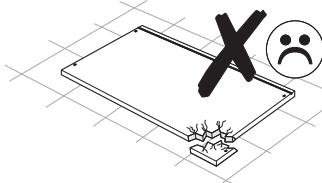
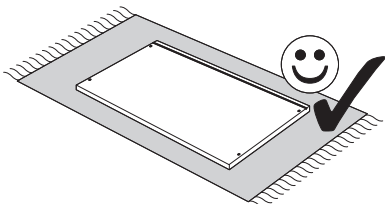
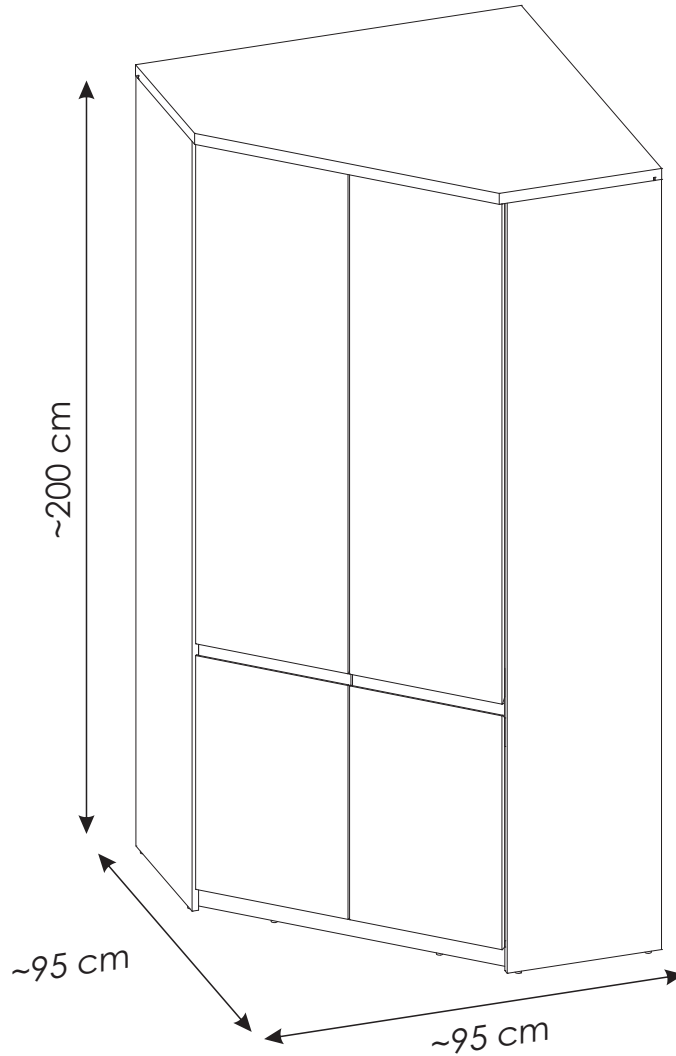
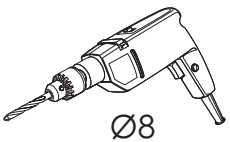
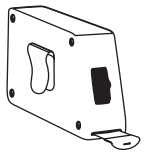
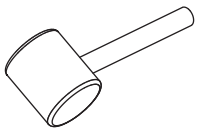
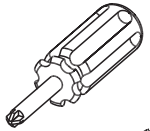
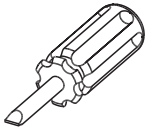
22▶

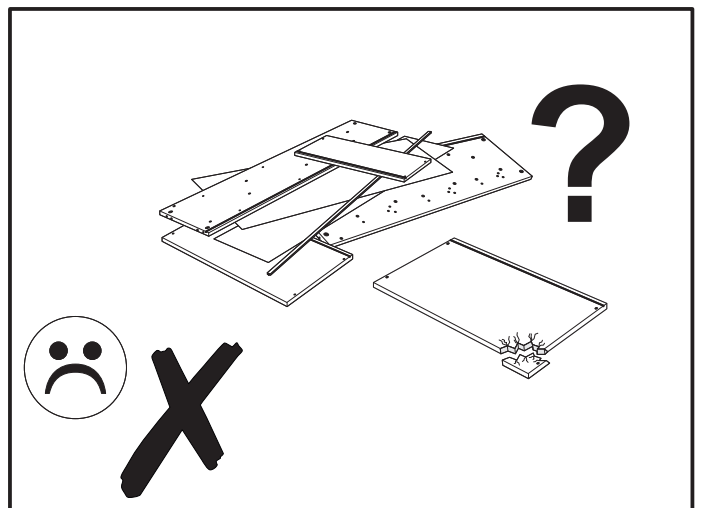
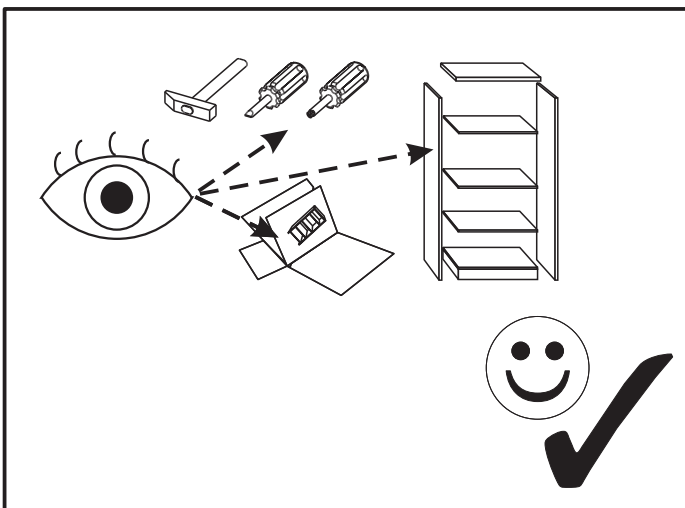
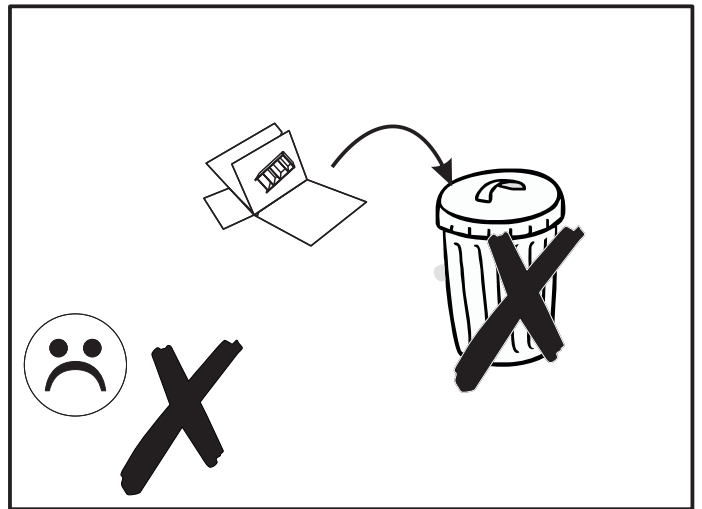
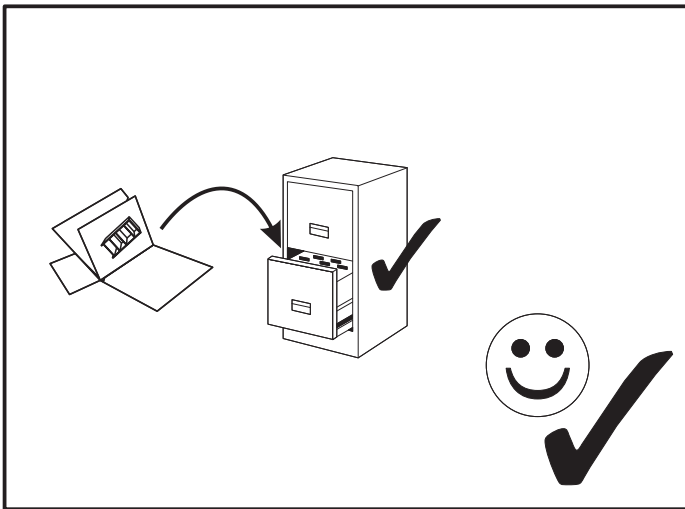
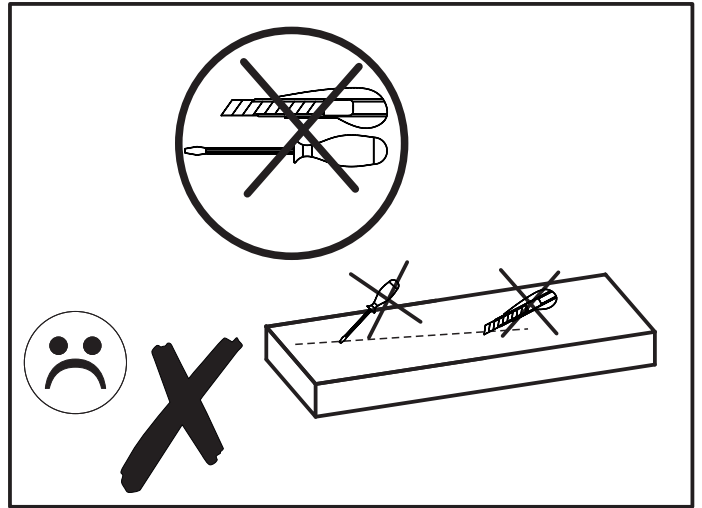
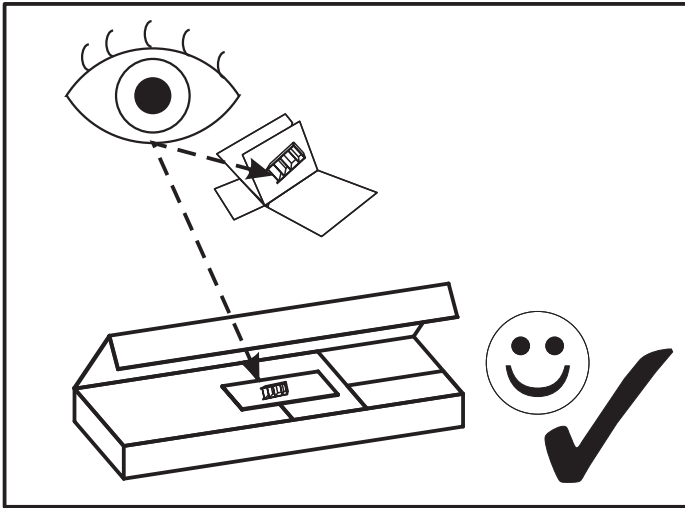


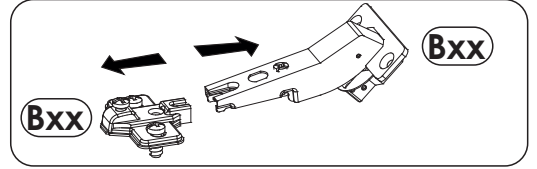
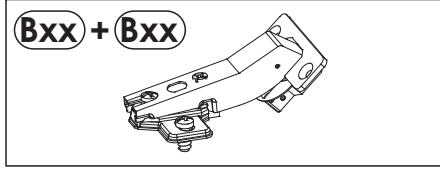
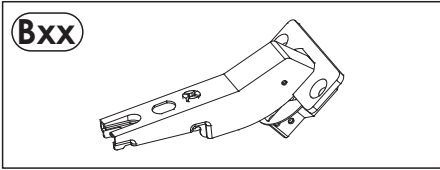
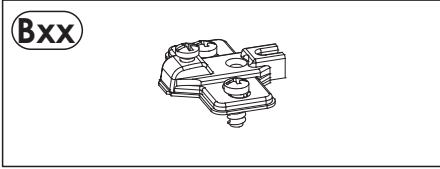



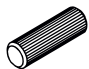
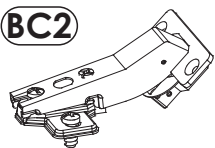

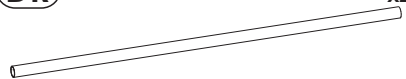
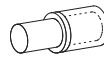


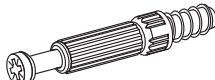
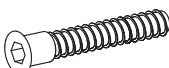


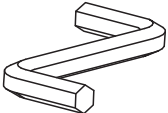
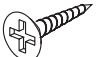
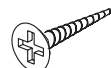
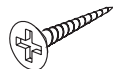
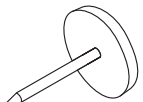

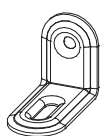
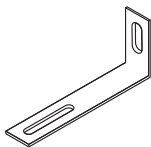
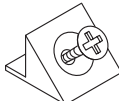
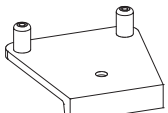
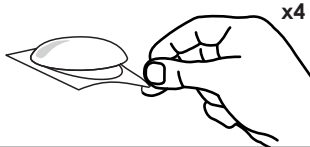




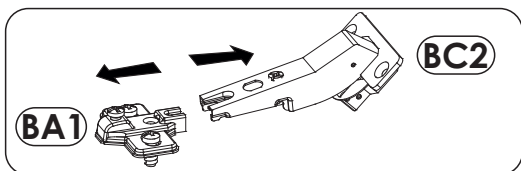
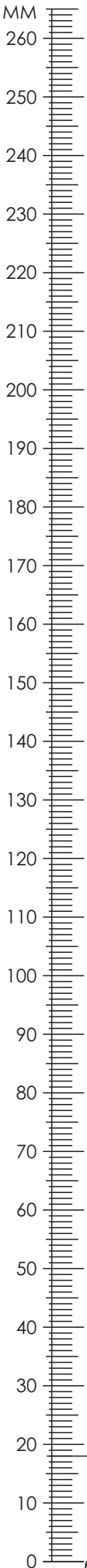
120 min

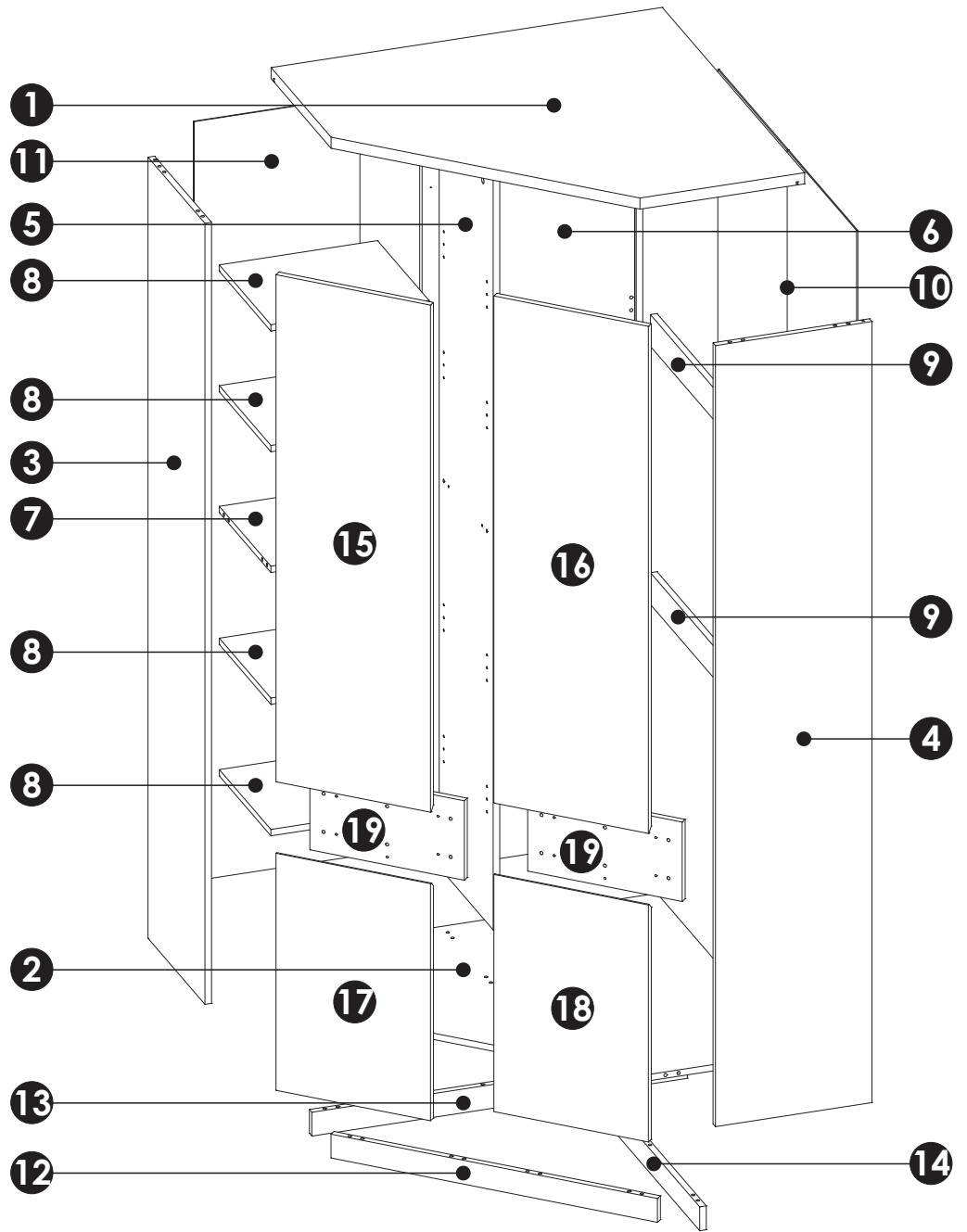
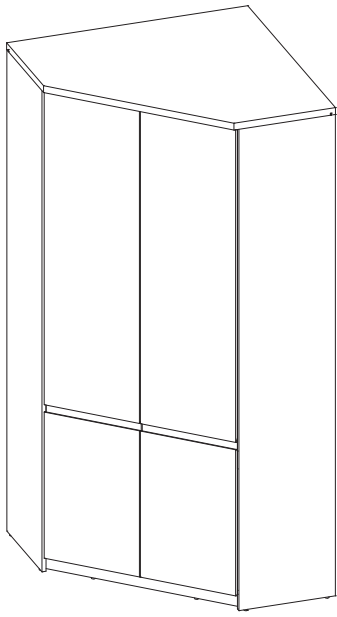






A0 8 x 24 mm x12 	A1 8 x 35 mm x34 	BA1 + BC2 x8 
C2 4 x 13 mm x16 	DR L - 905 mm x2 	D2 x16 
E0 Ø16 x12 	E1 15 x 12 mm x28 	F1 6 x 34 mm x28 
G1 7 x 50 mm x7 	I2 4 x 16 mm x2 	J2 4 x 25mm x12 
M x1 	NO 3 X 13 mm x1 	N1 3 X 16 mm x25 
N2 3,5 X 16 mm x18 	O2 x13 	P16 x12 
Q8 x3 	Q9 x2 	R4 x18 
R5 x1 	R8 x4 	S13 x2  Ø8
Z1 x4 		

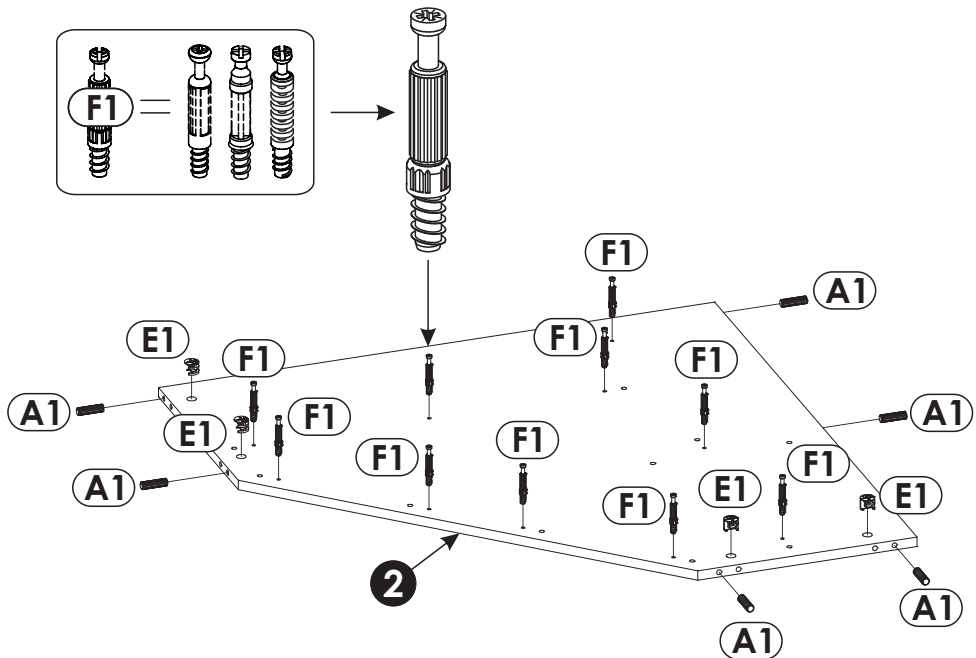
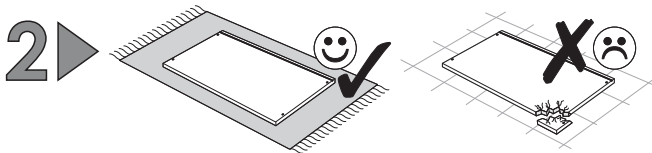
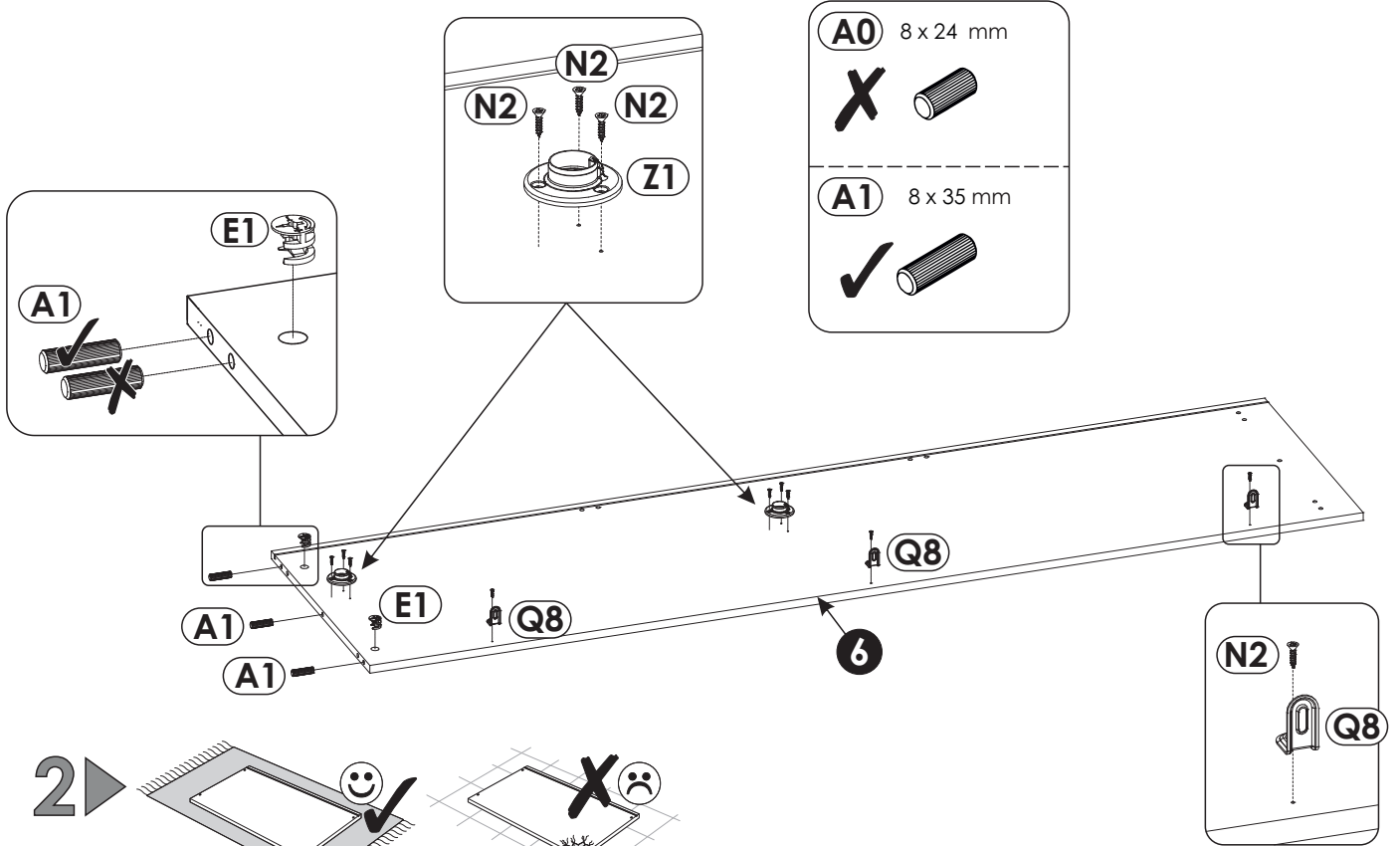
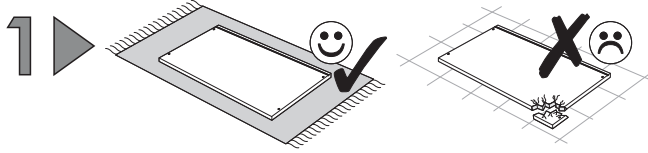


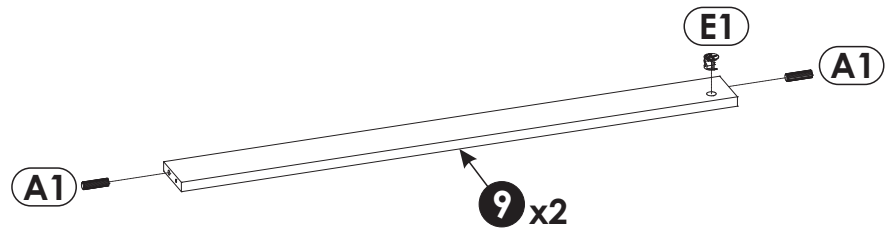
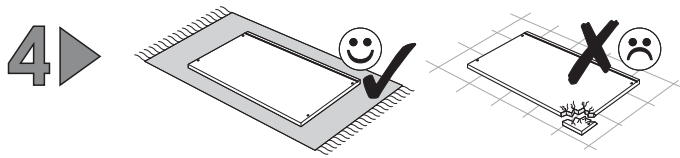
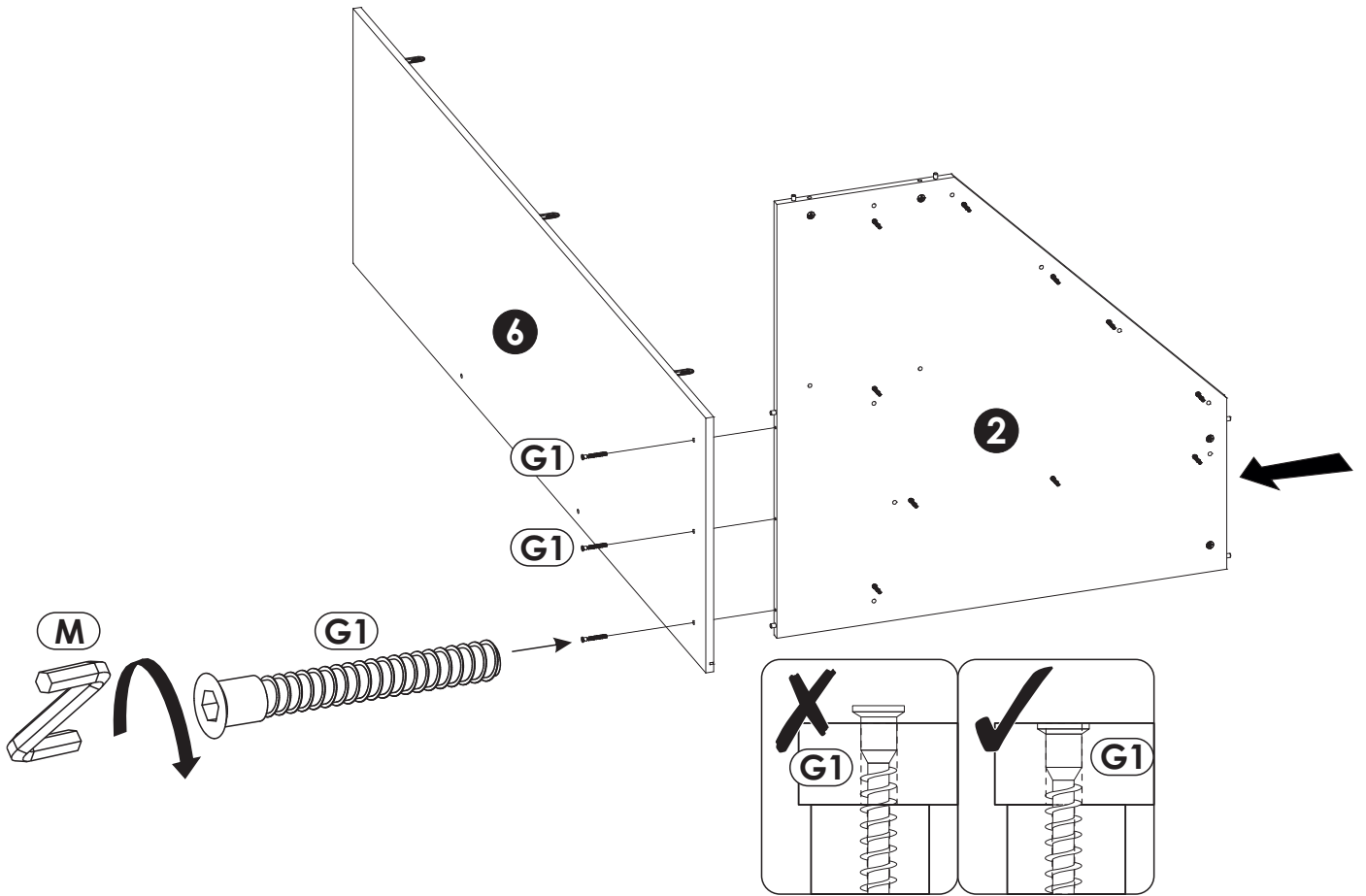
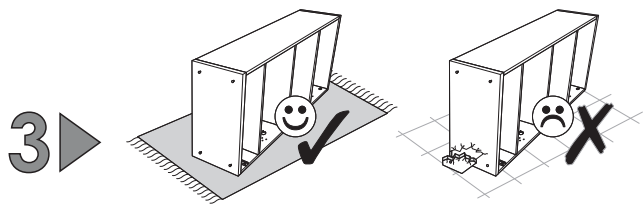


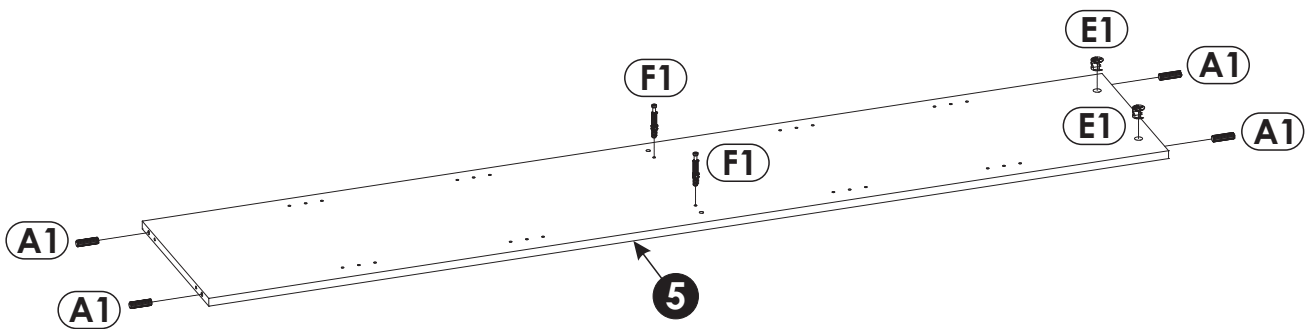
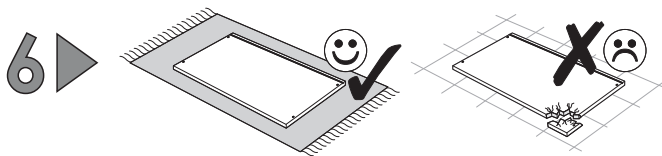
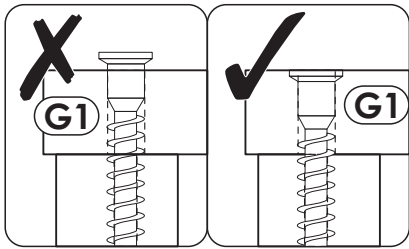
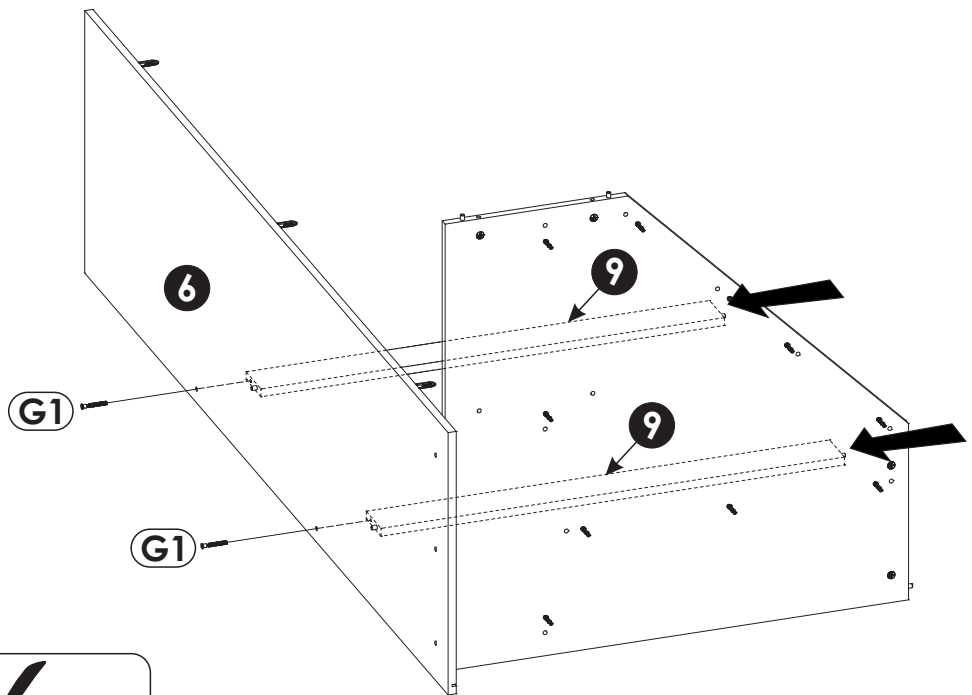
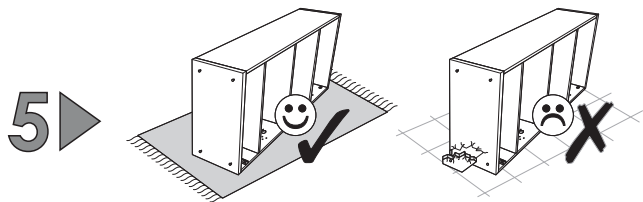
1	950	950	28	x1	2/3
2	913	913	16	x1	2/3
3	1967	380	16	x1	3/3
4	1967	380	16	x1	1/3
5	1891	360	16	x1	3/3
6	1967	536	16	x1	3/3
7	384	344	16	x1	1/3

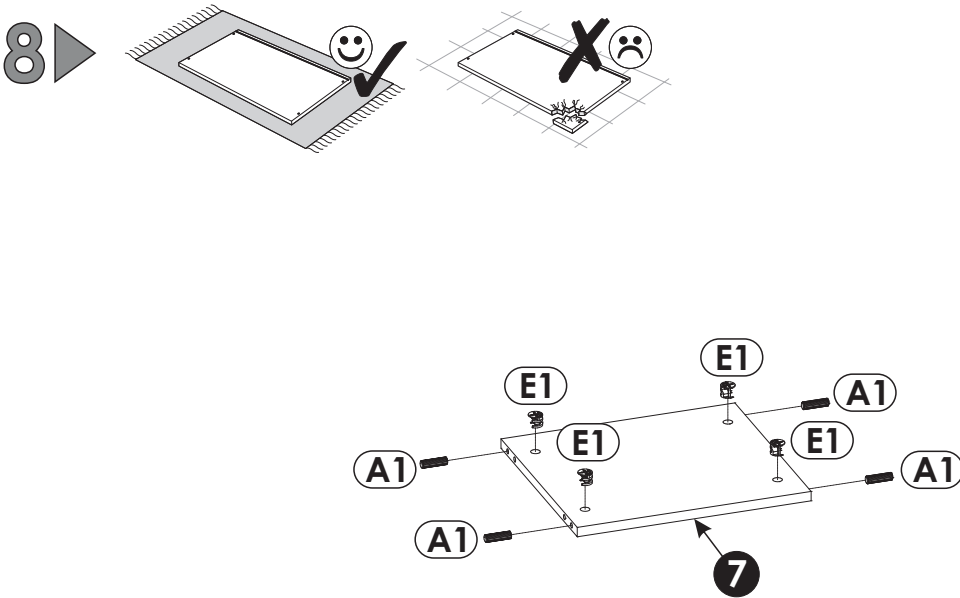
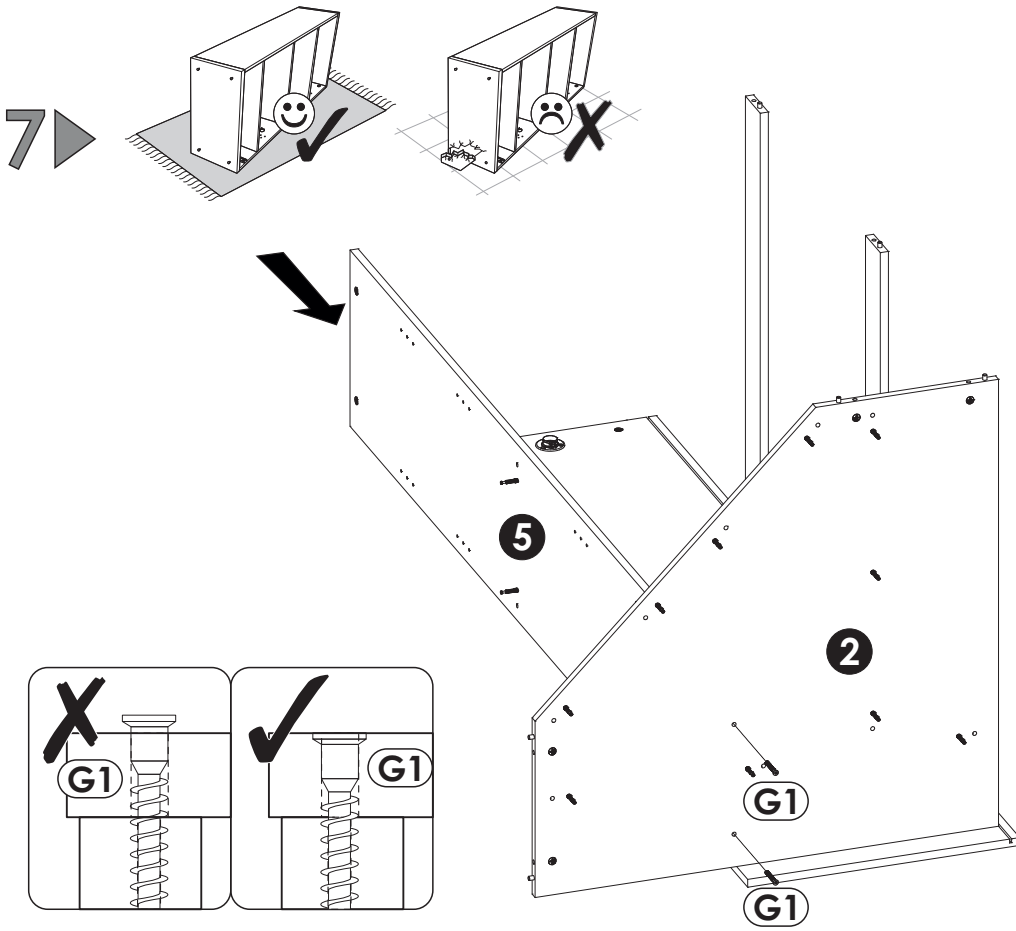
8	384	344	16	x4	1/3
9	913	80	16	x2	2/3
10	1912	926	3	x1	3/3
11	1912	403	3	x1	3/3
12	822	60	16	x1	2/3
13	912	60	16	x1	2/3
14	708	60	16	x1	2/3

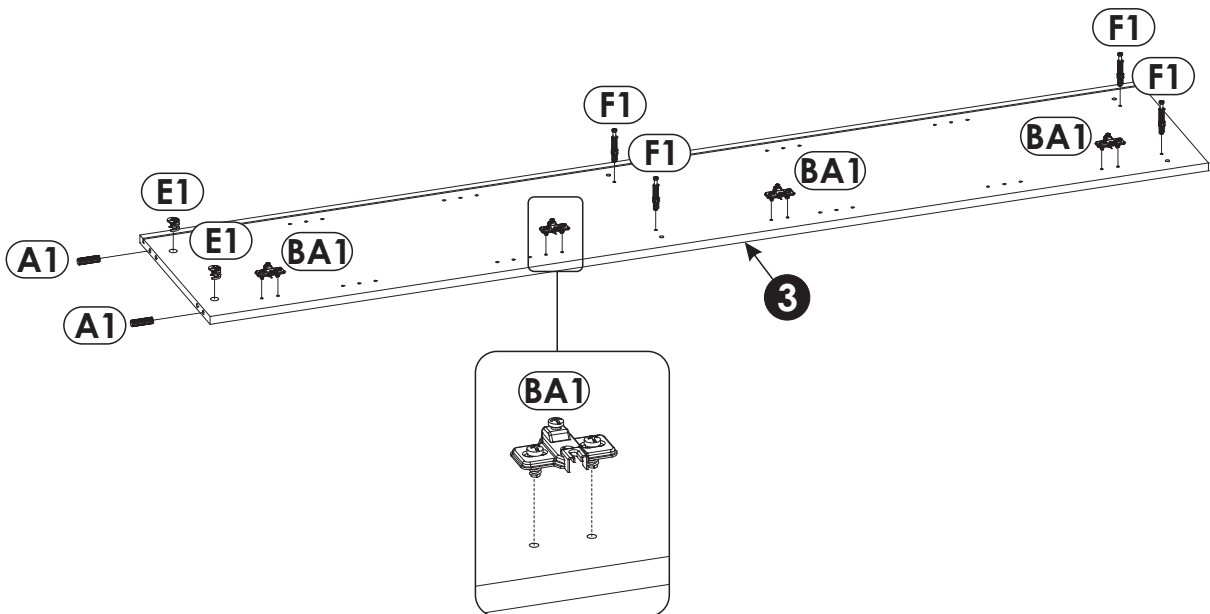
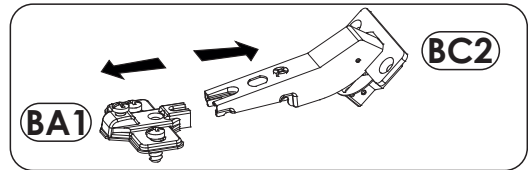
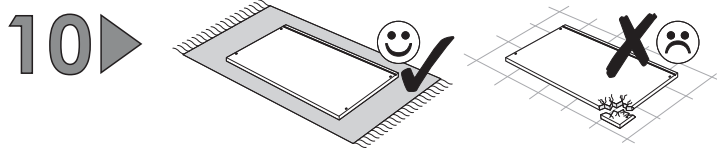
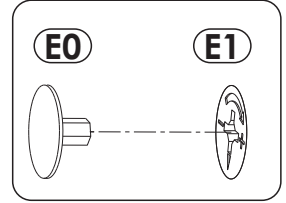
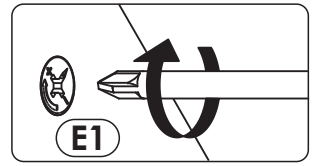
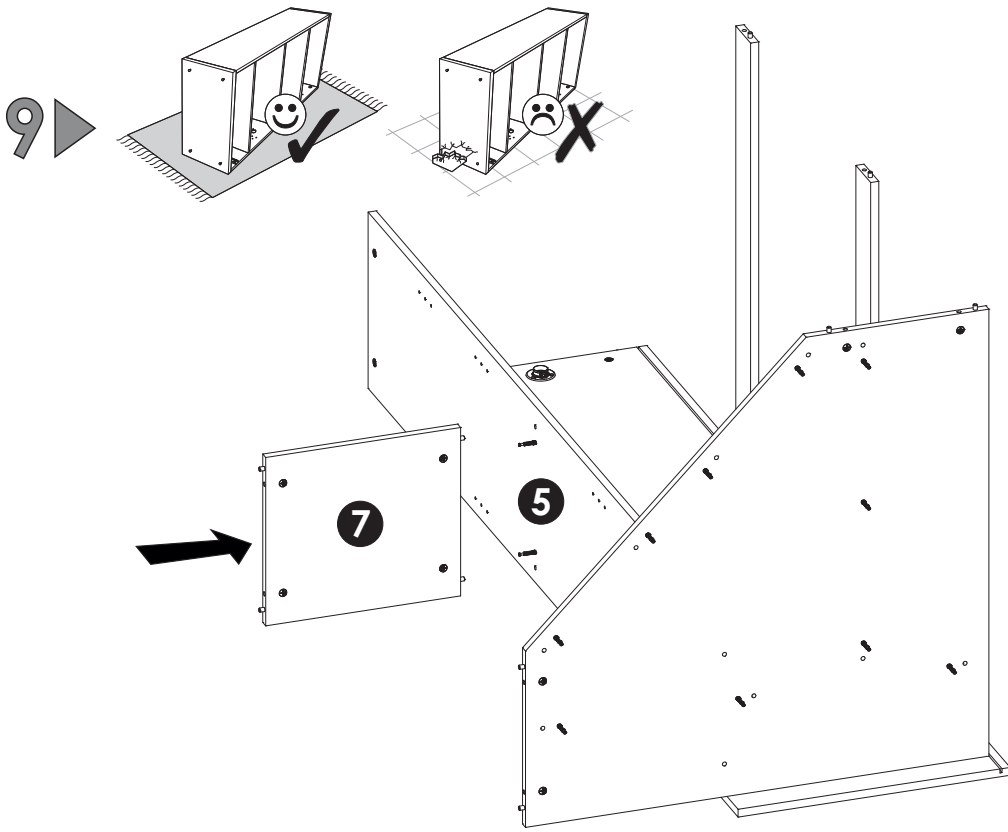
15	1277	389	16	x1	1/3
16	1277	389	16	x1	1/3
17	597	389	16	x1	1/3
18	597	389	16	x1	1/3
19	200	389	16	x2	2/3



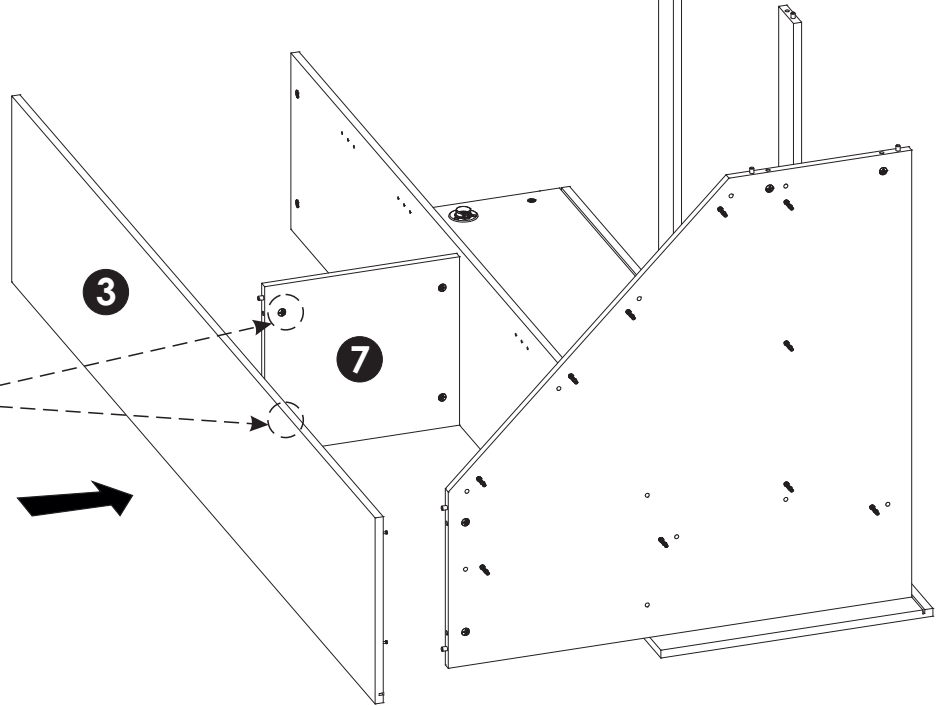
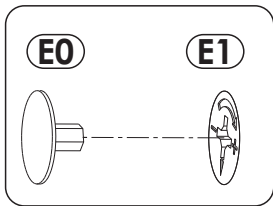
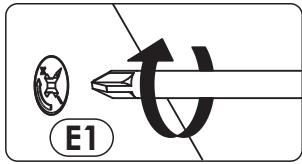
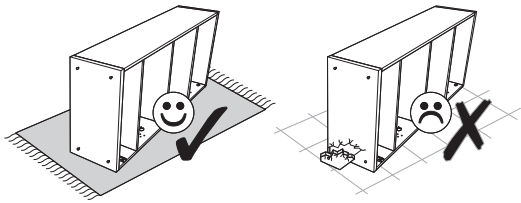




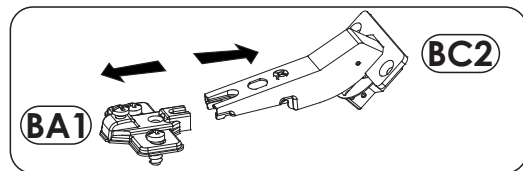
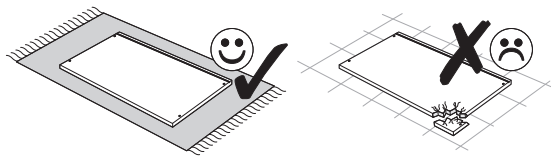




11 ▶



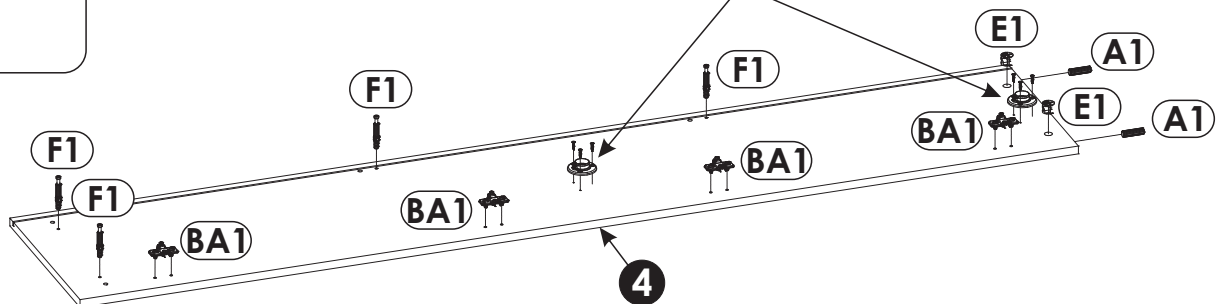
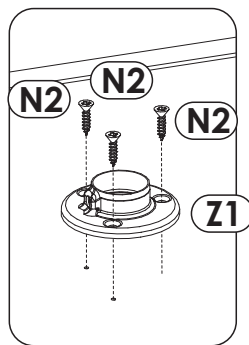
12 ▶



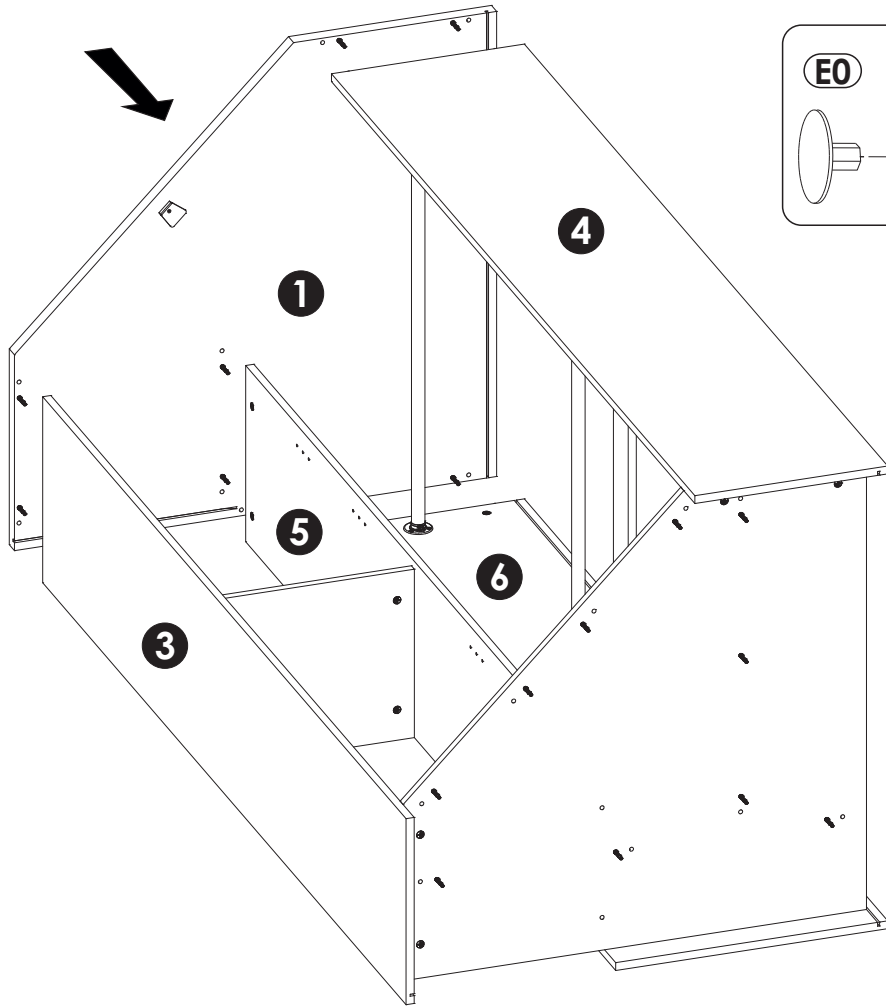
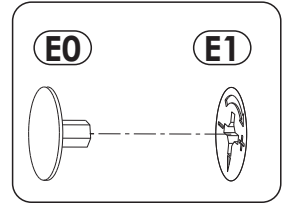
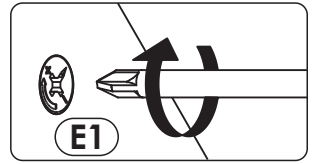
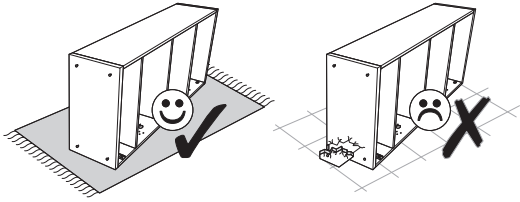
A0 8 x 24 mm x12



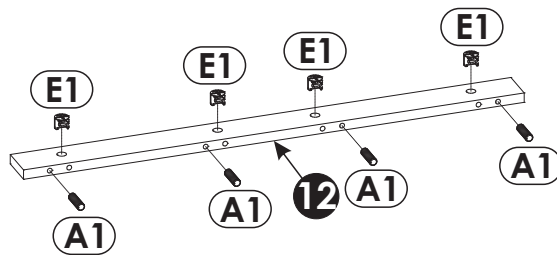
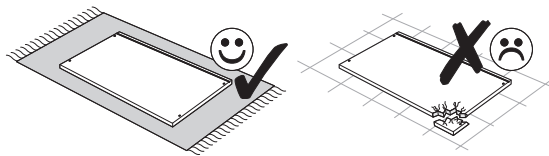
A1 8 x 35 mm x34



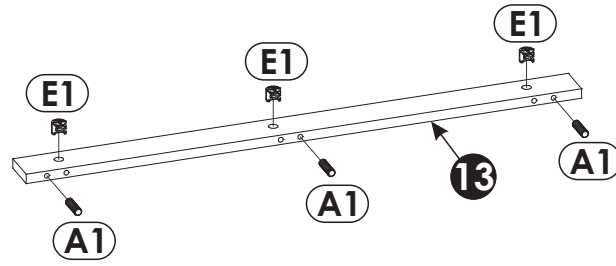
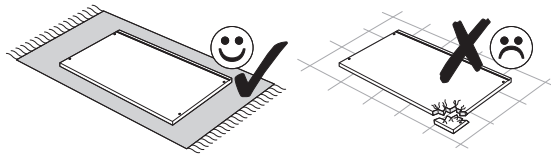
15 ▶



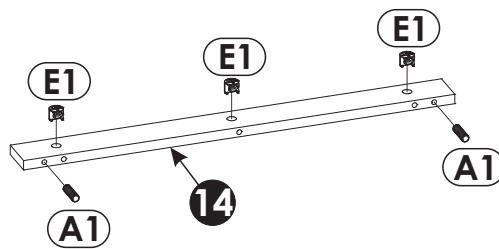
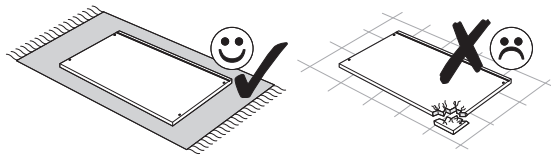
16 ▶



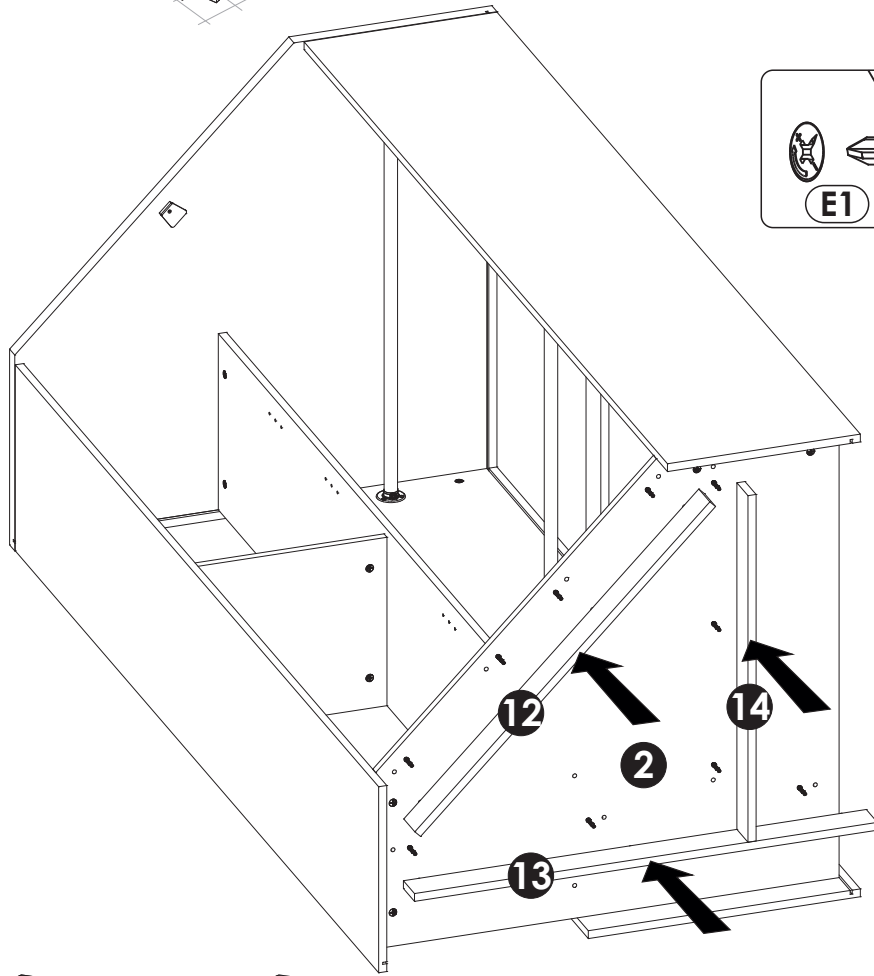
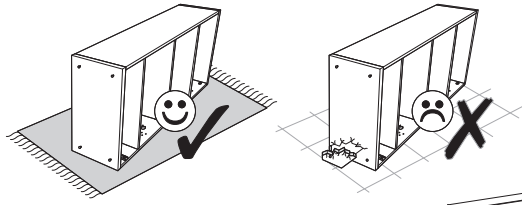
17▶



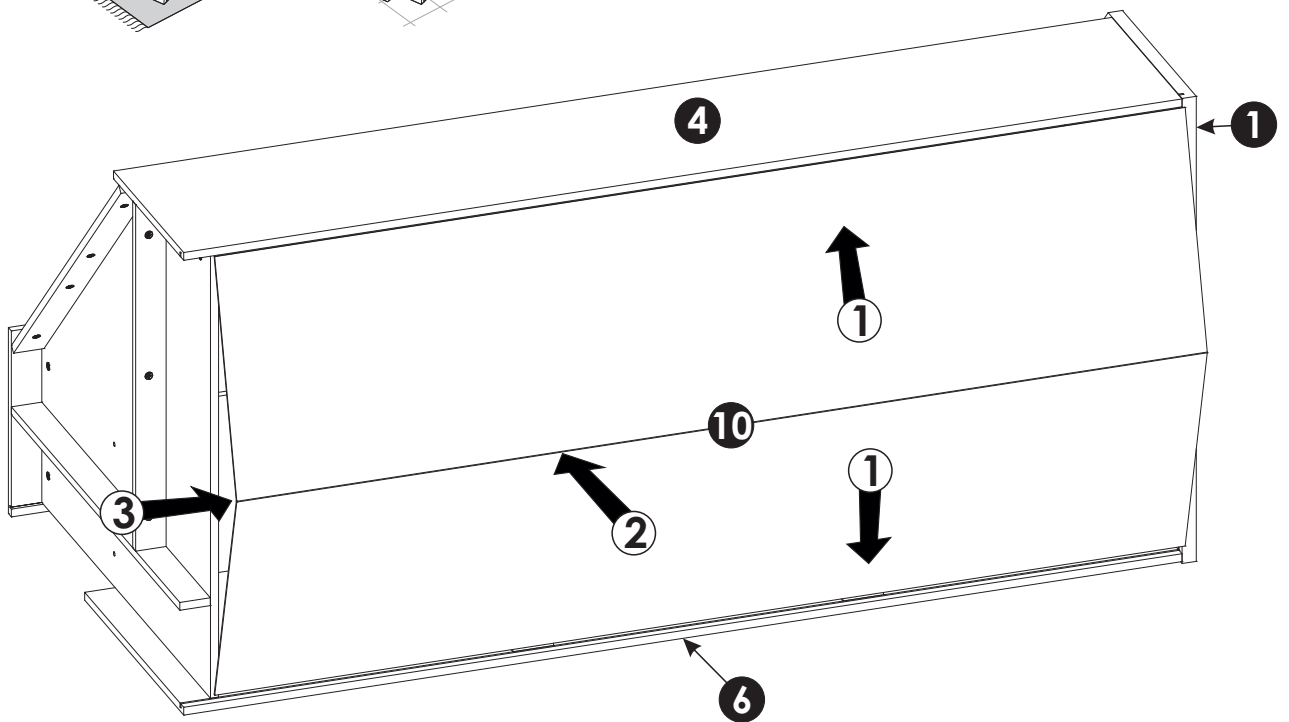
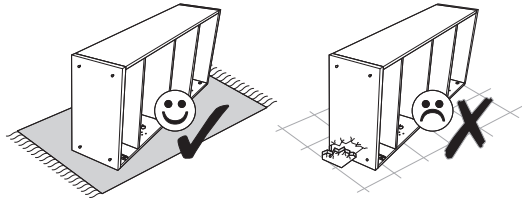
18▶



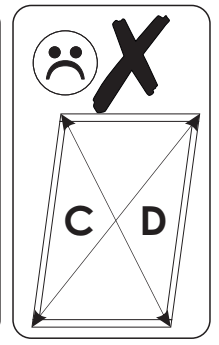
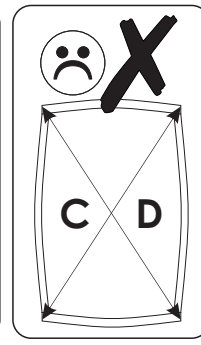
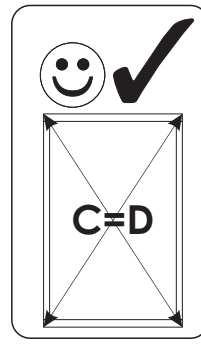
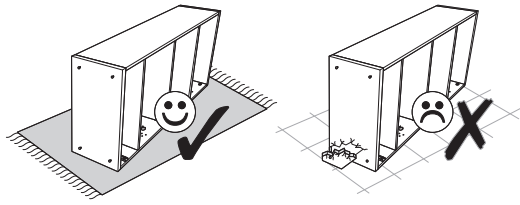
19 ▶▶



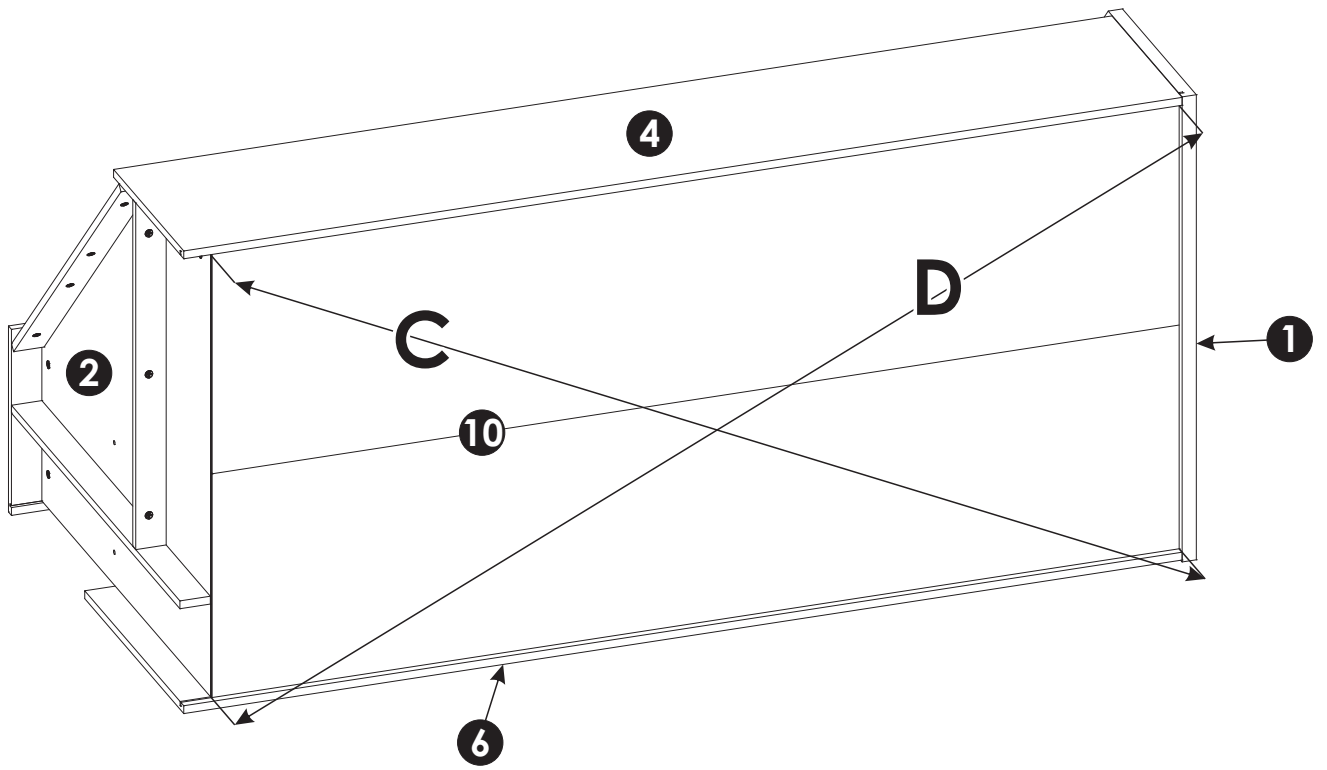
20 ▶▶



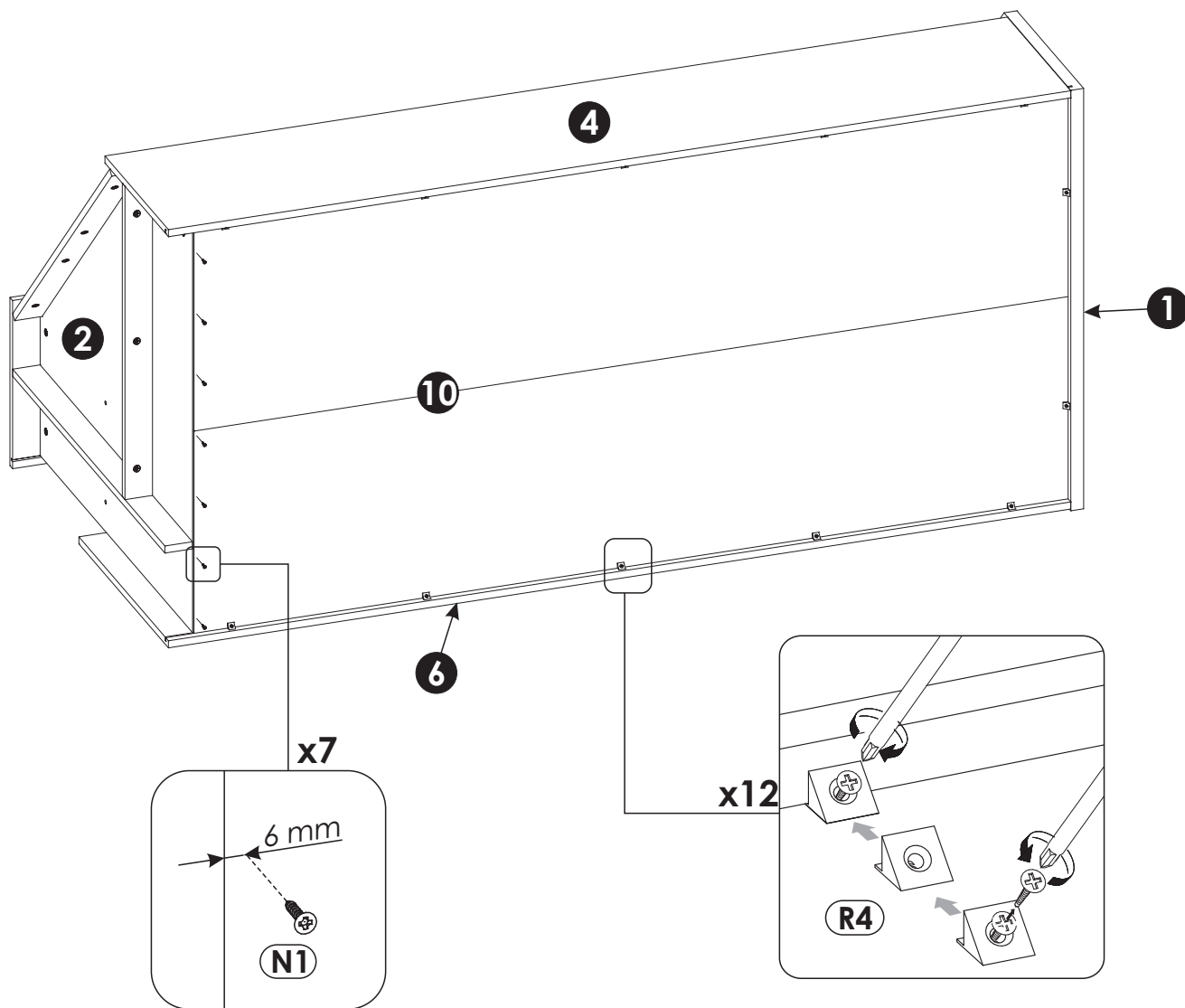
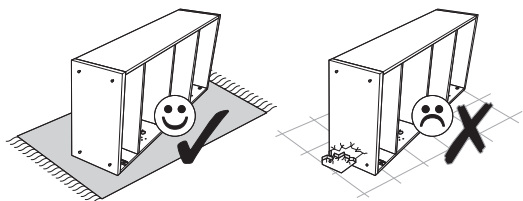
21 ▶



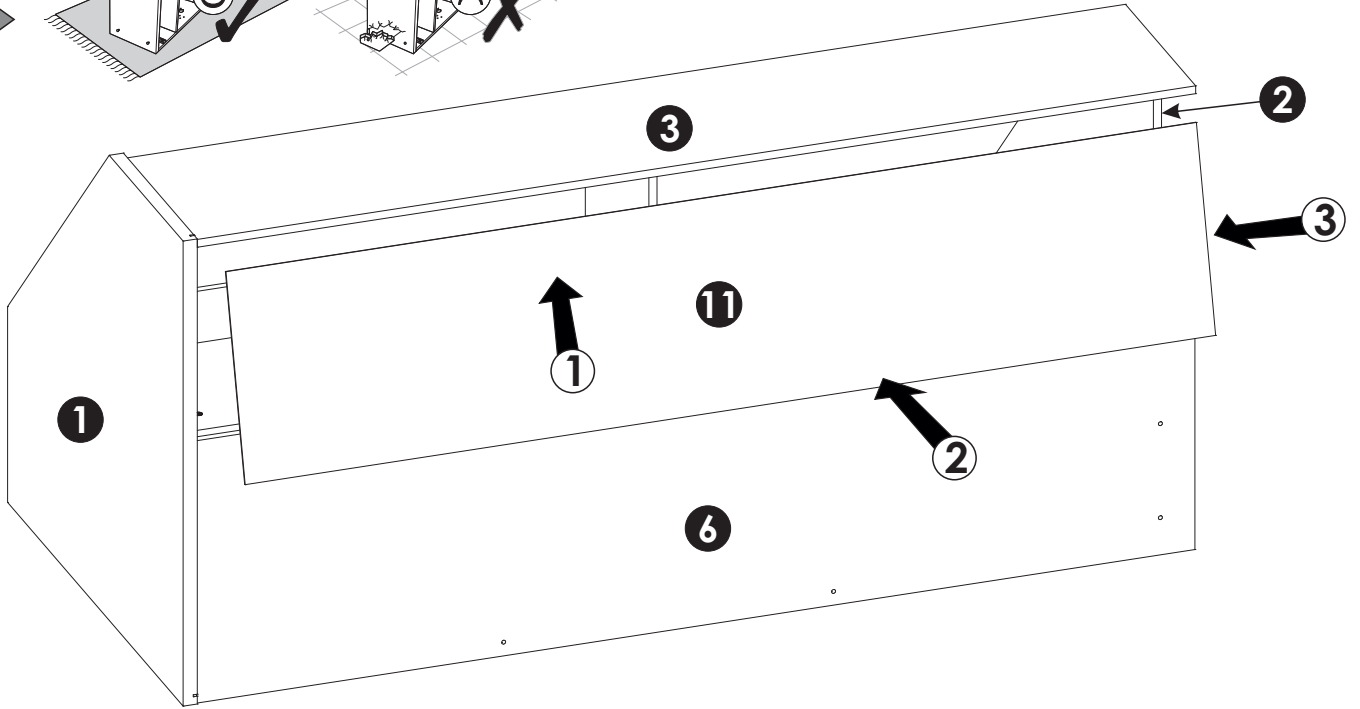
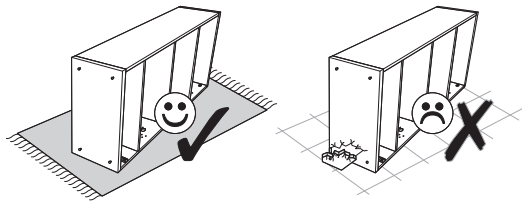
C=D



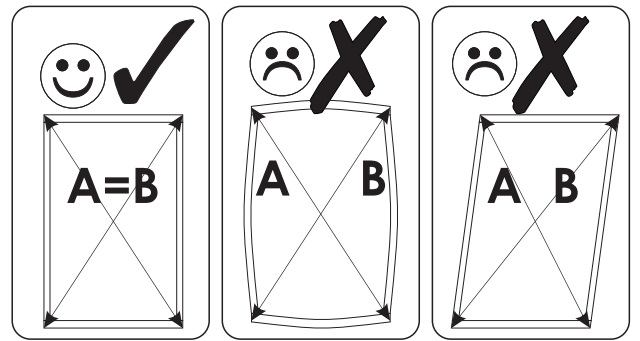
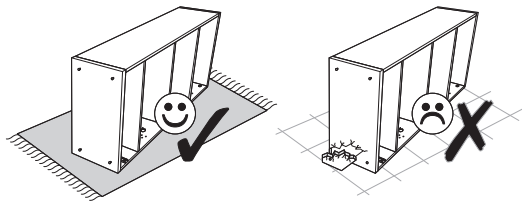
22 ▶



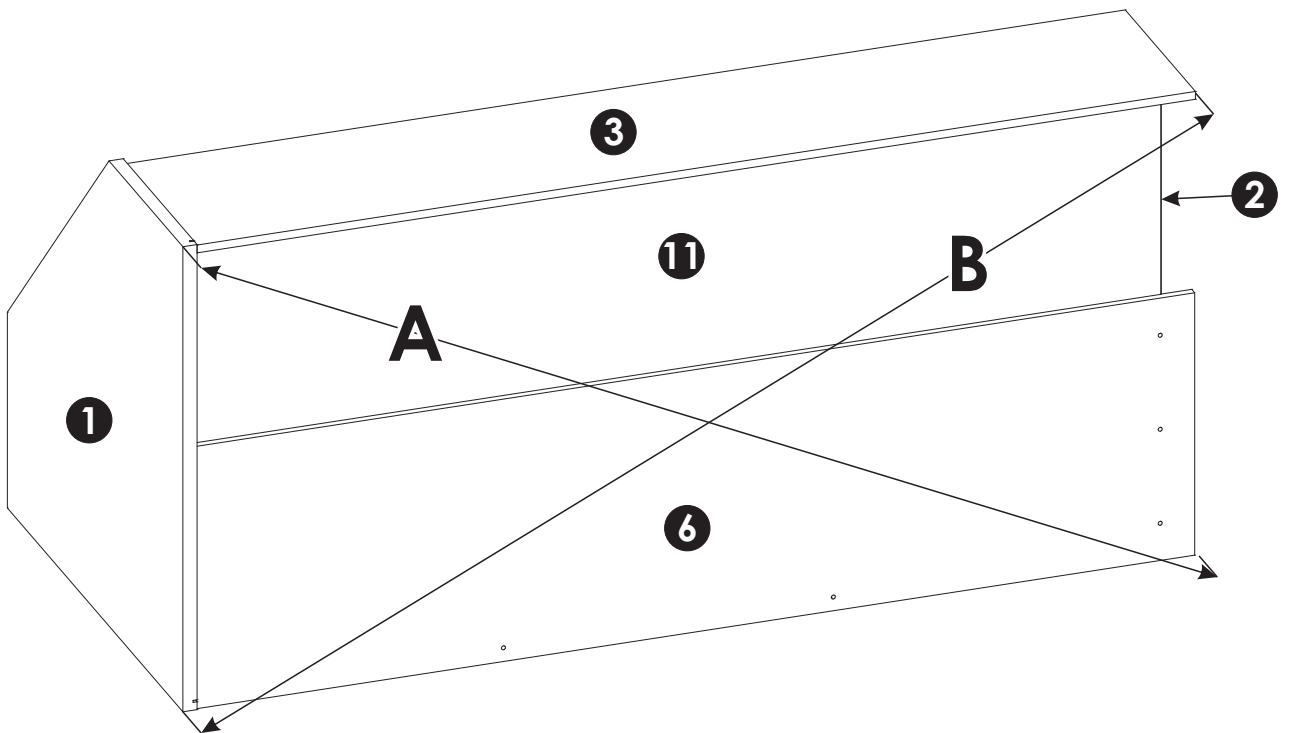
23 ▶



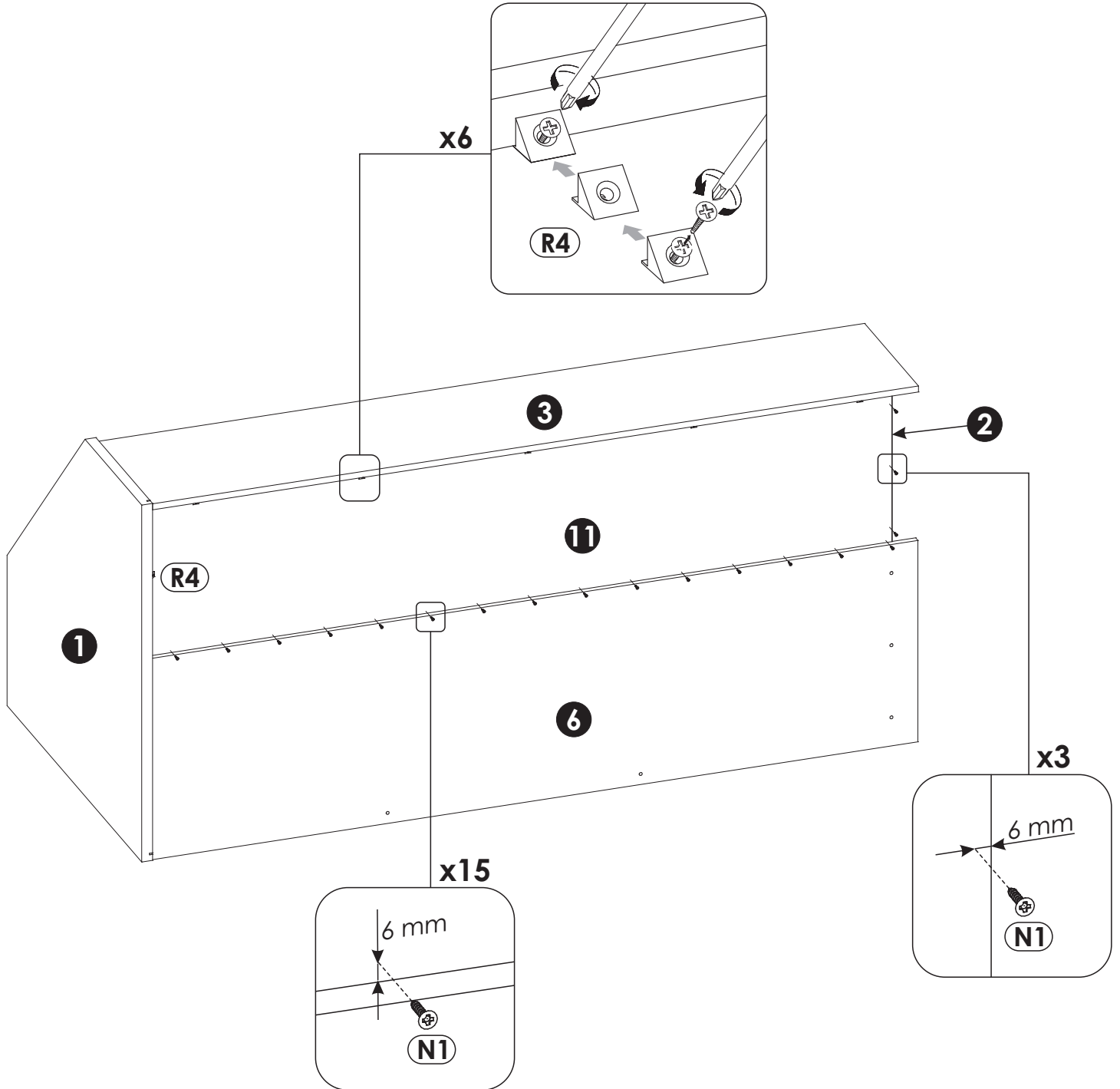
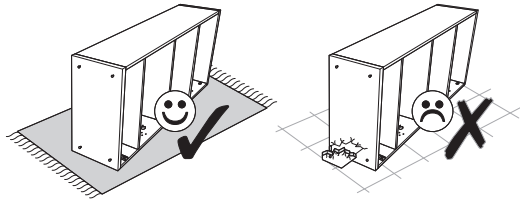
24 ▶



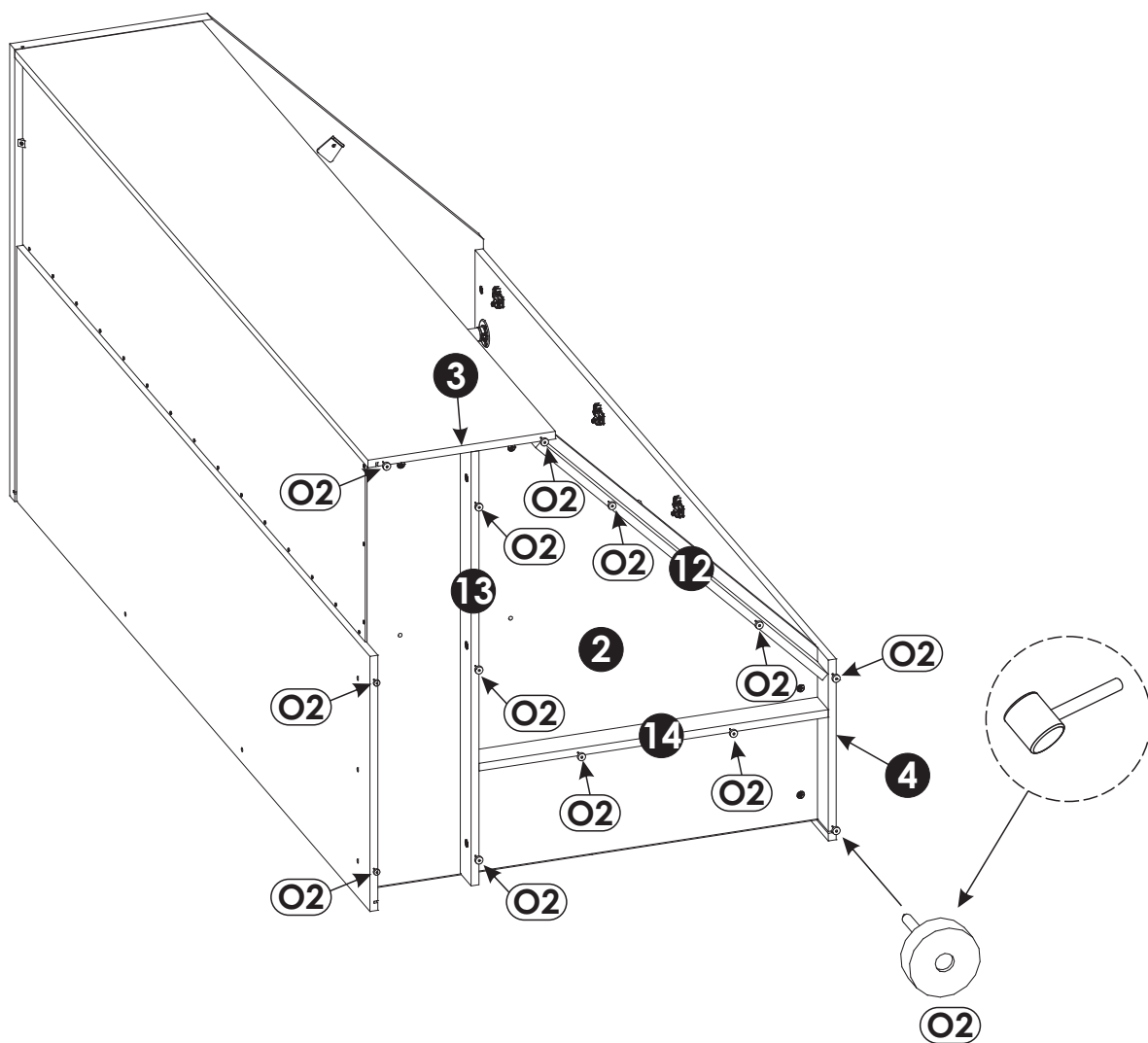
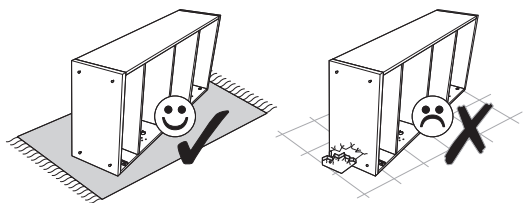
A=B

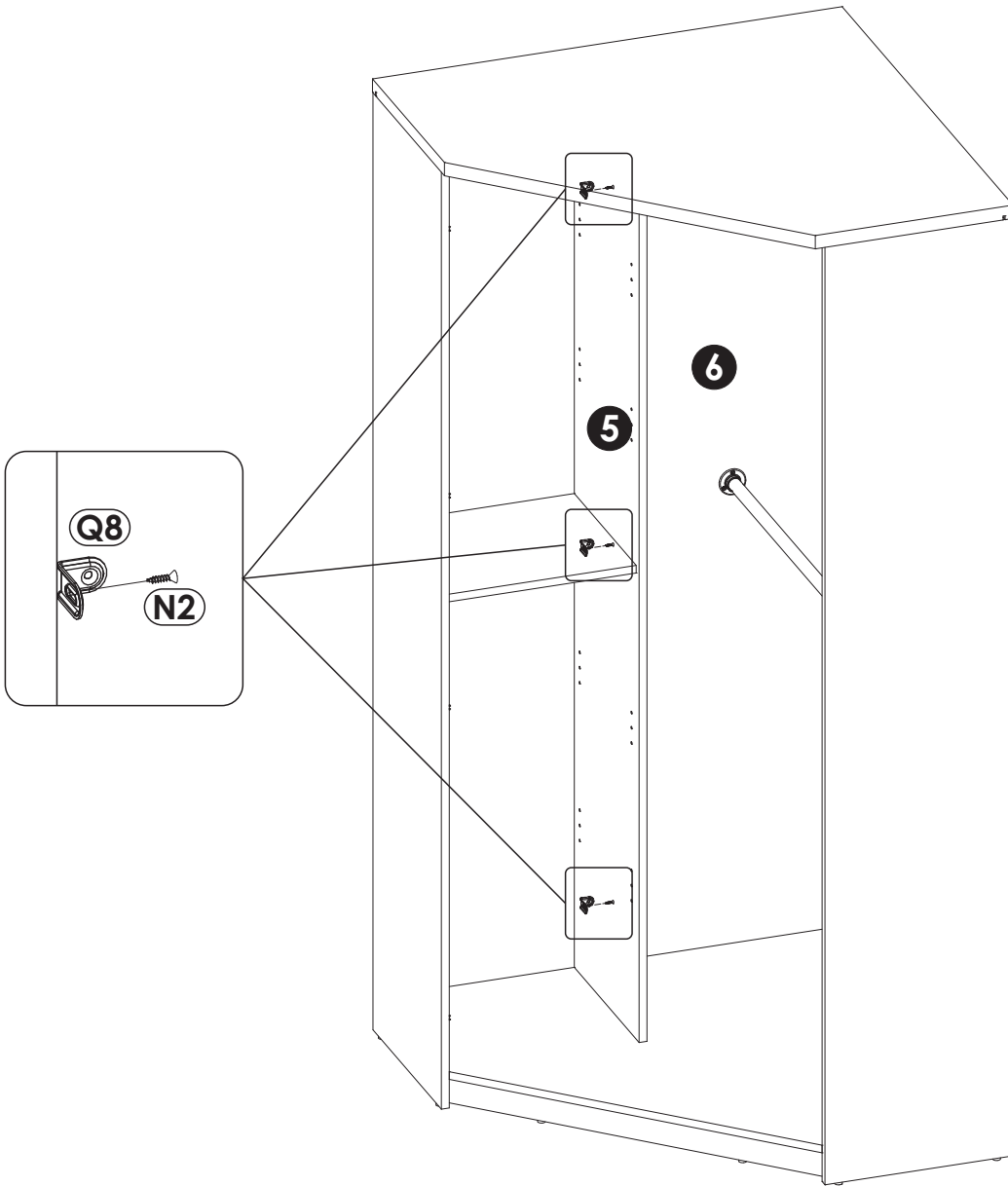


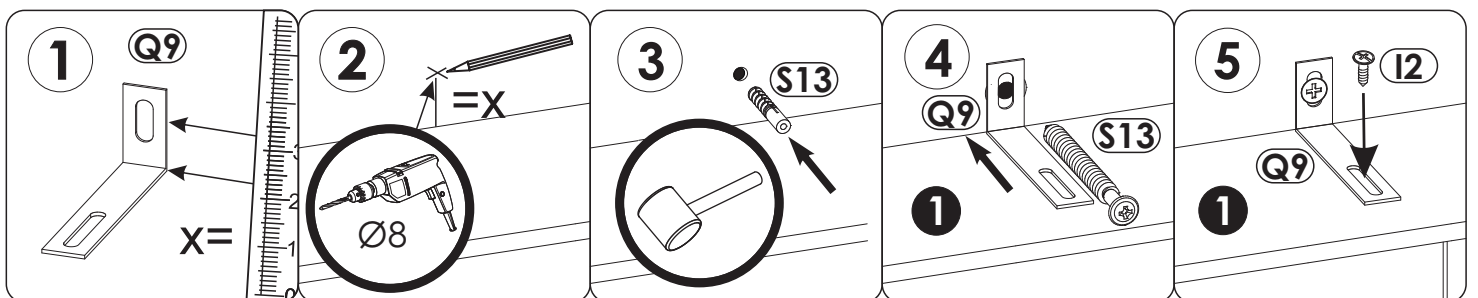
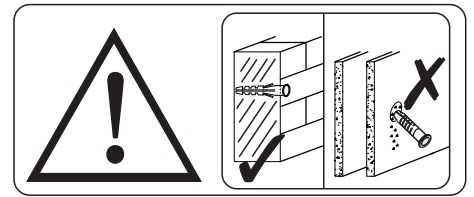
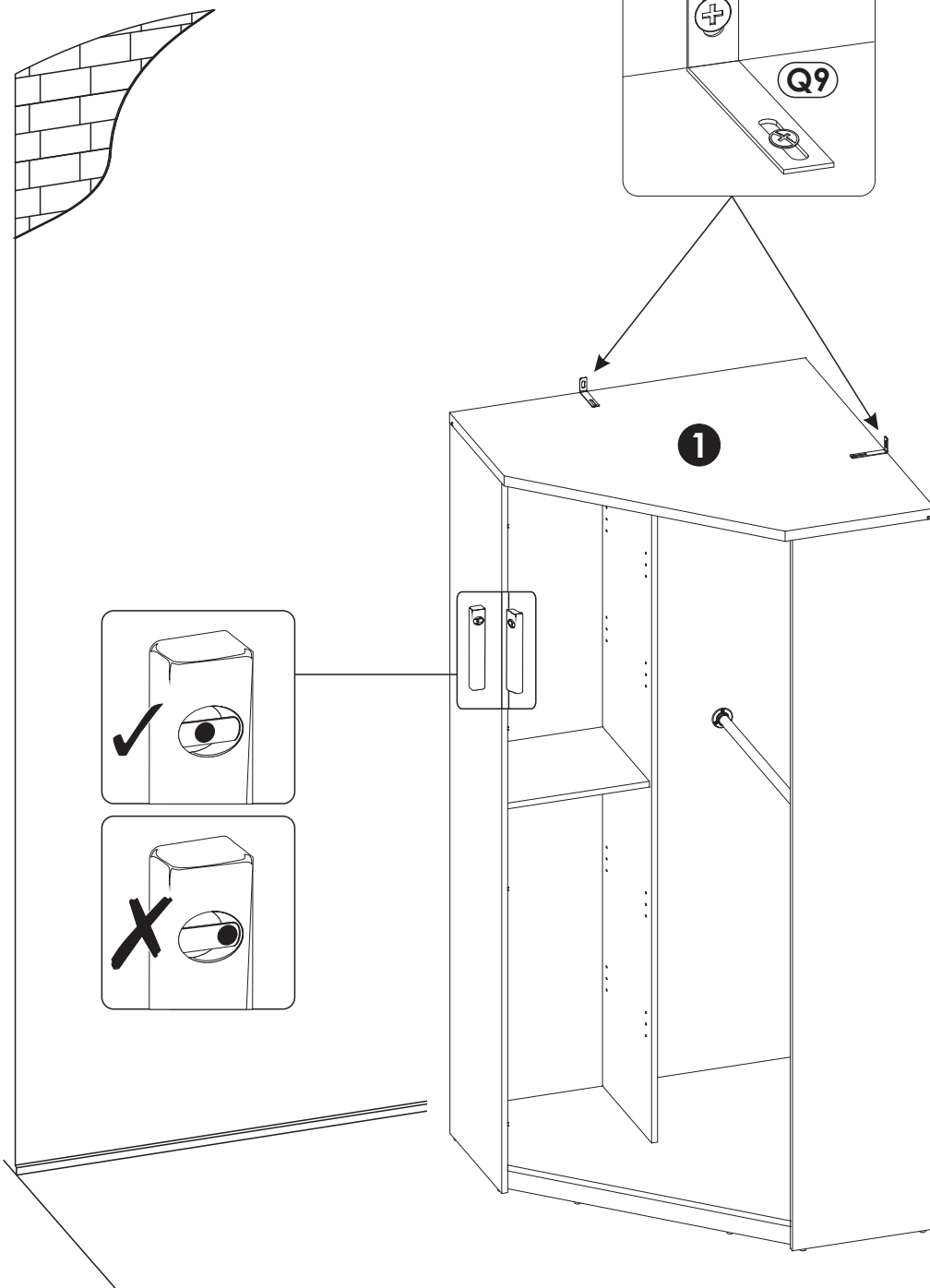
25 ▶

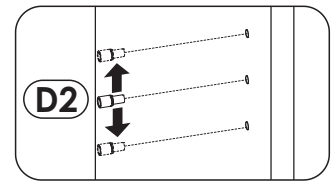
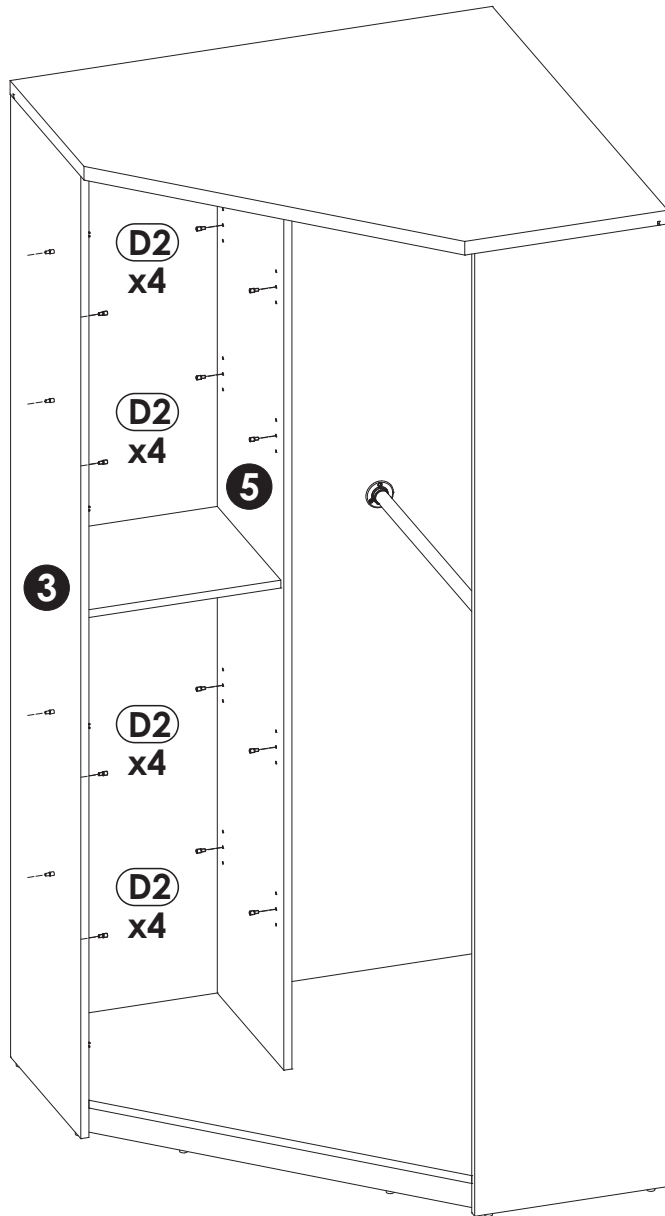


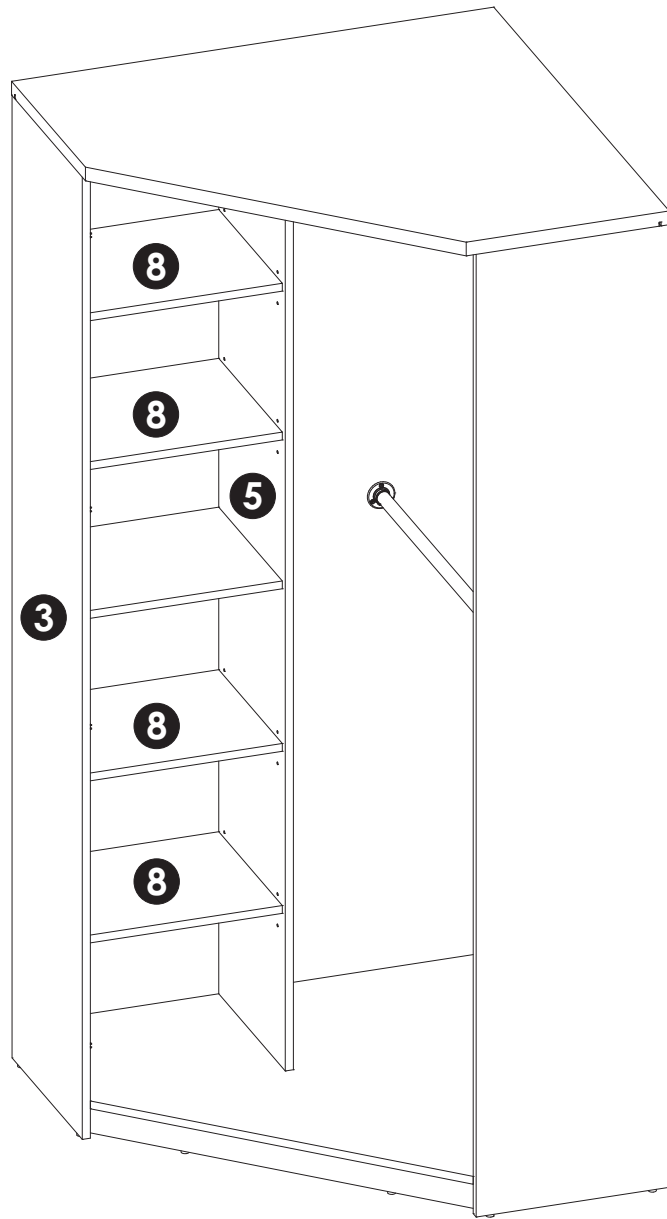
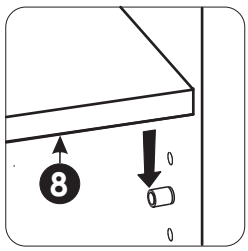
26 ▶

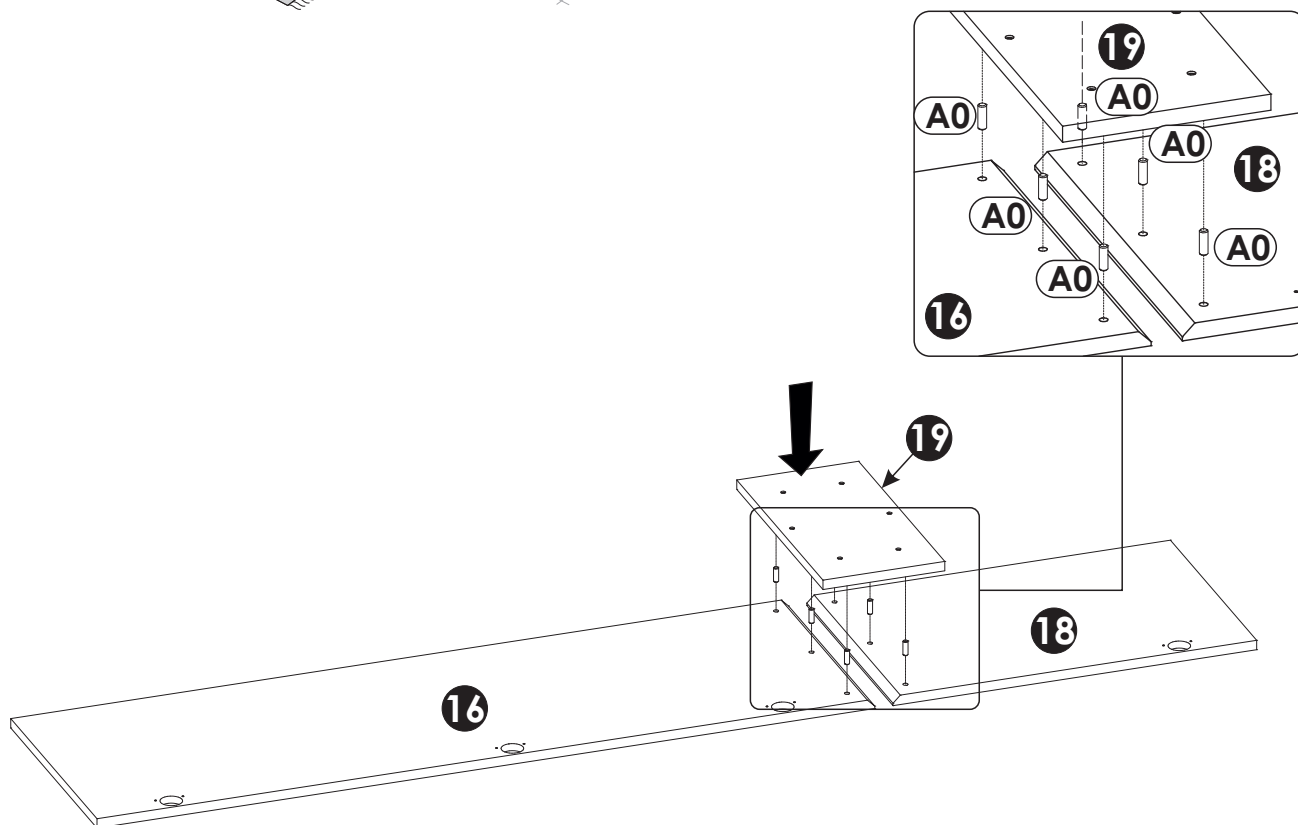
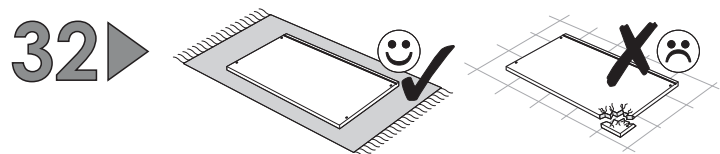
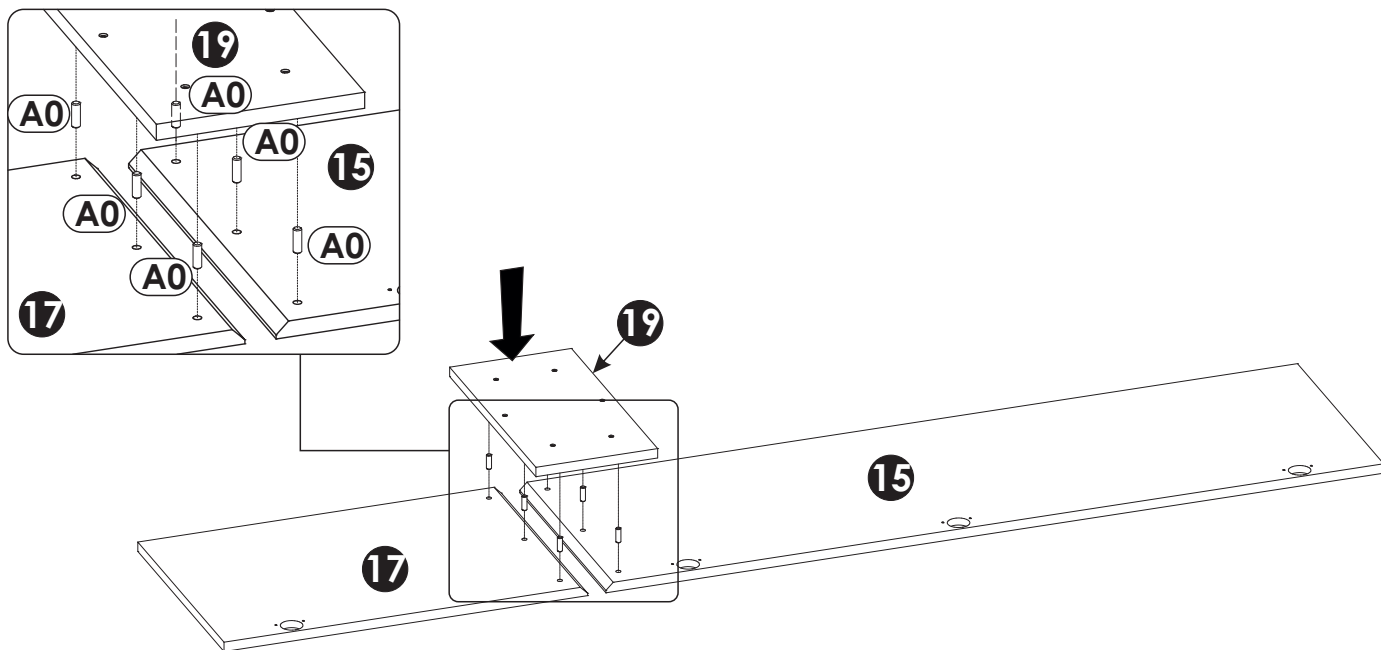
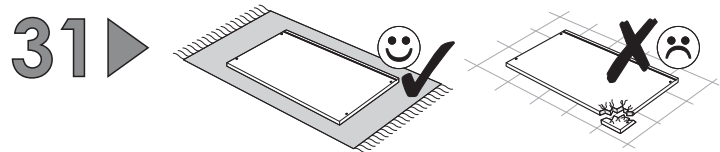




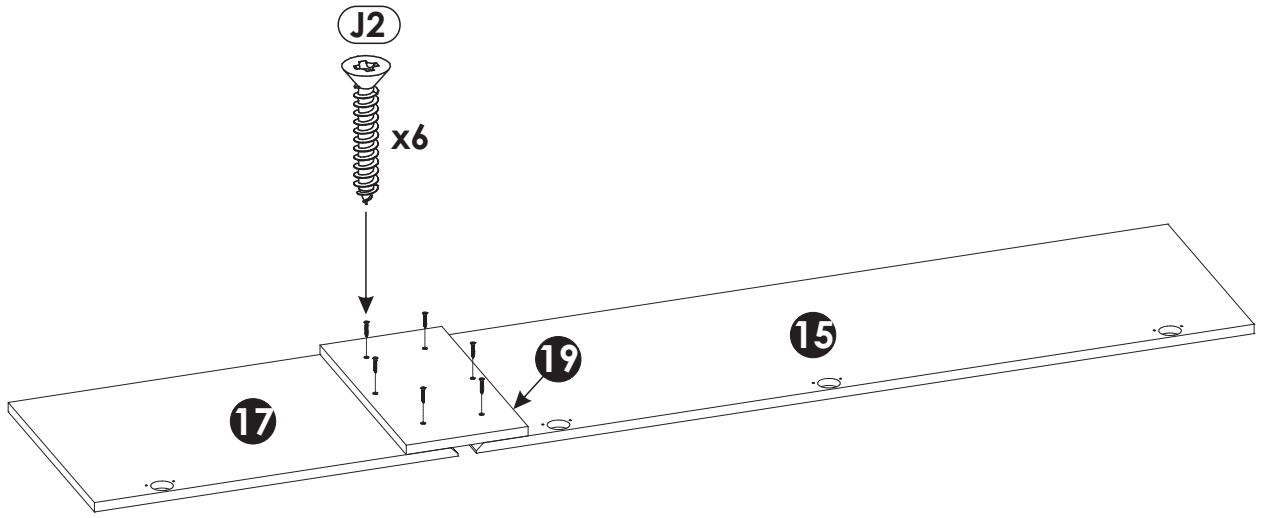
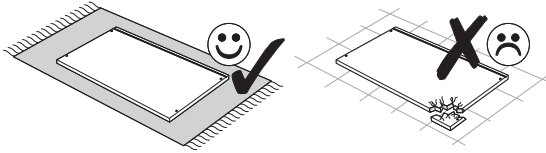




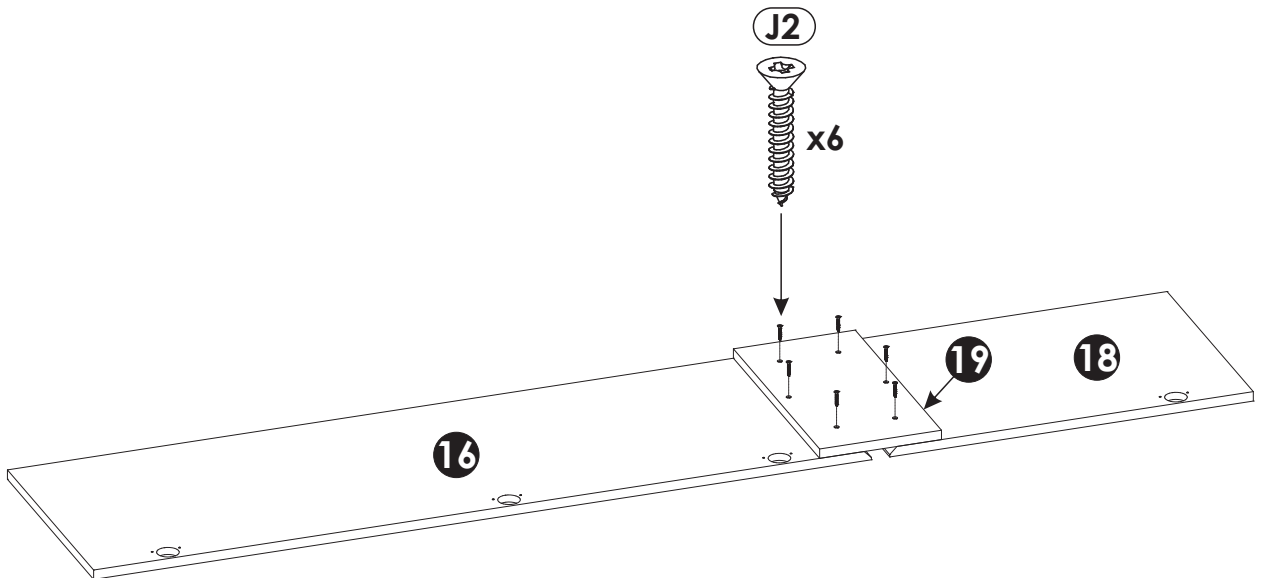
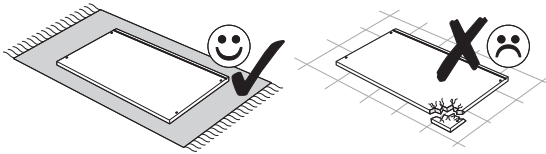




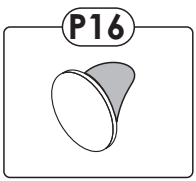
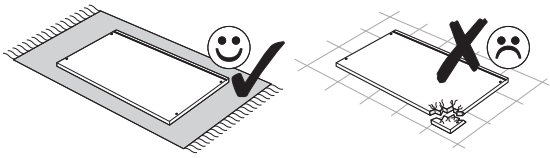
33 ▶



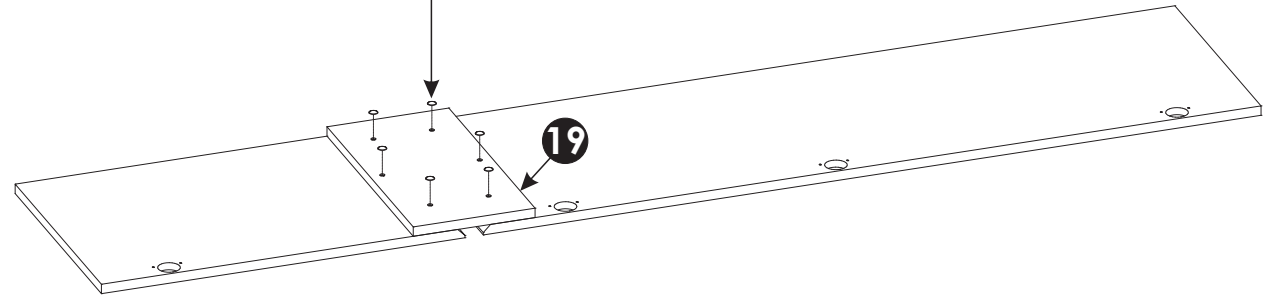
34 ▶



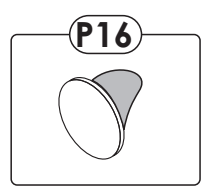
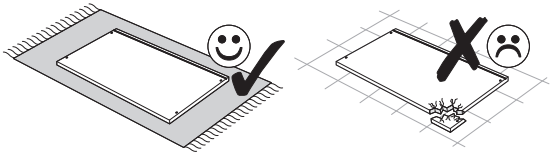
35 ▶



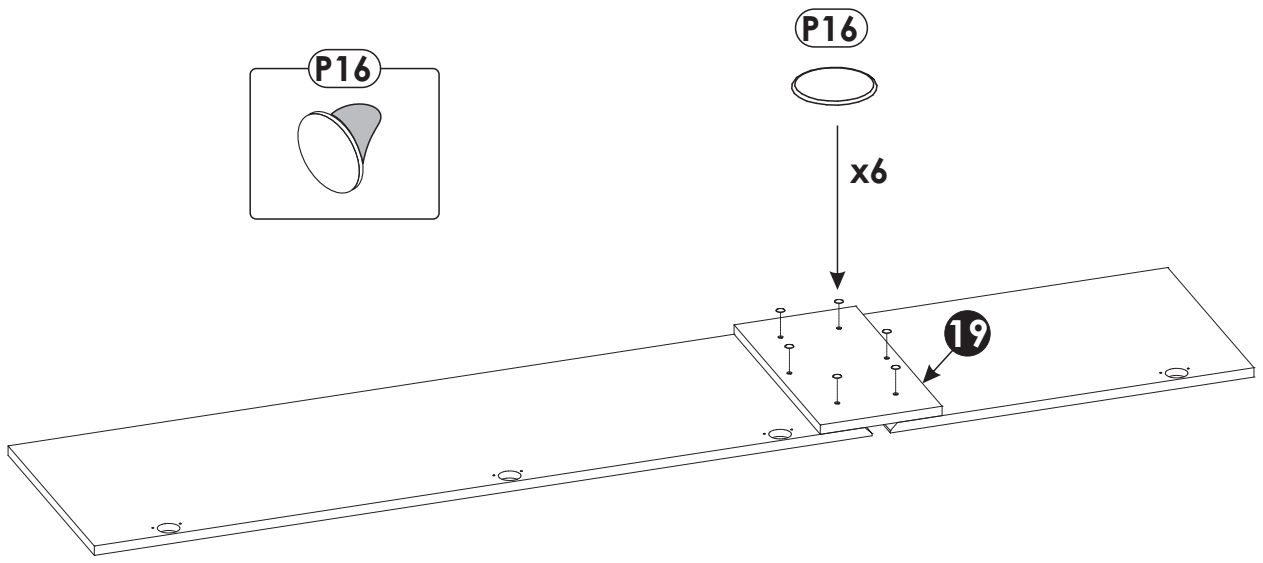
x6



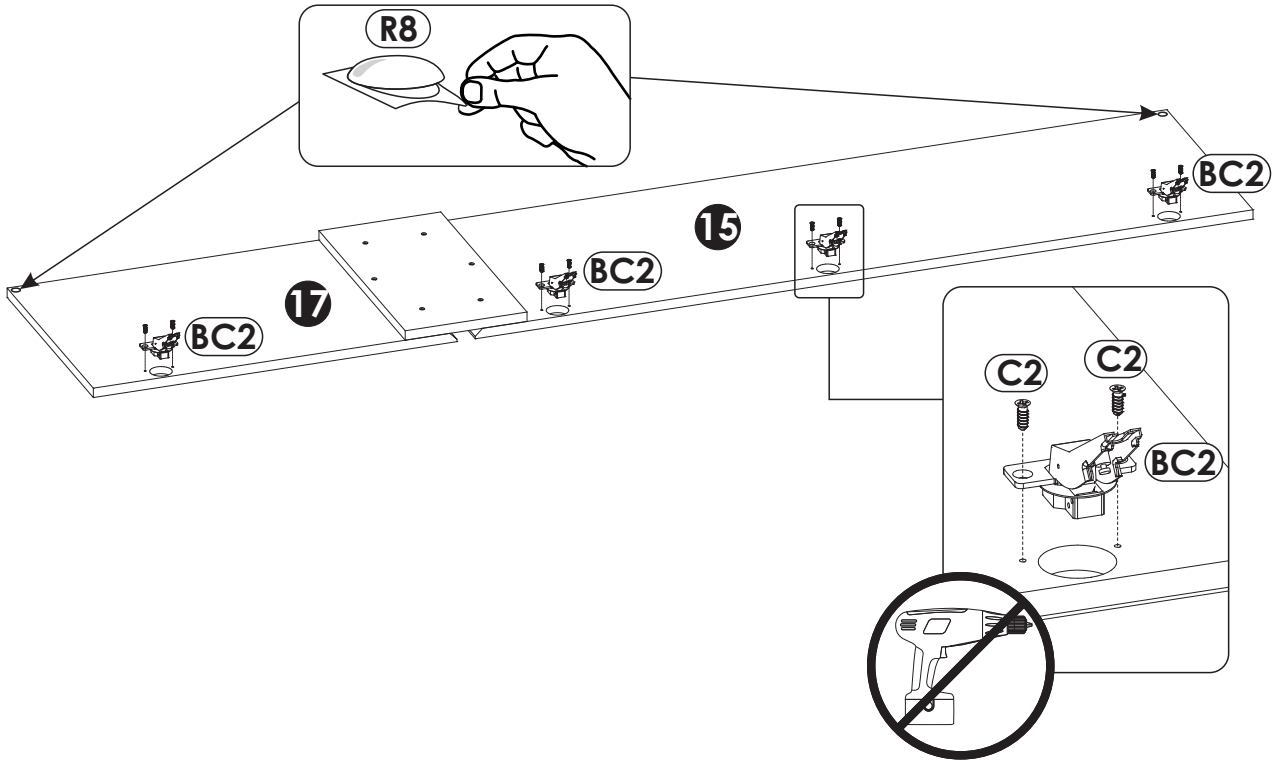
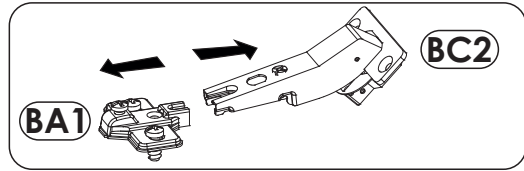
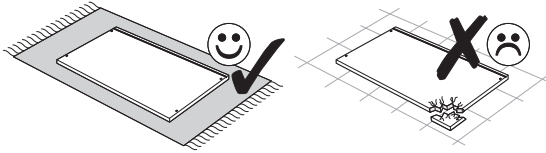
36 ▶



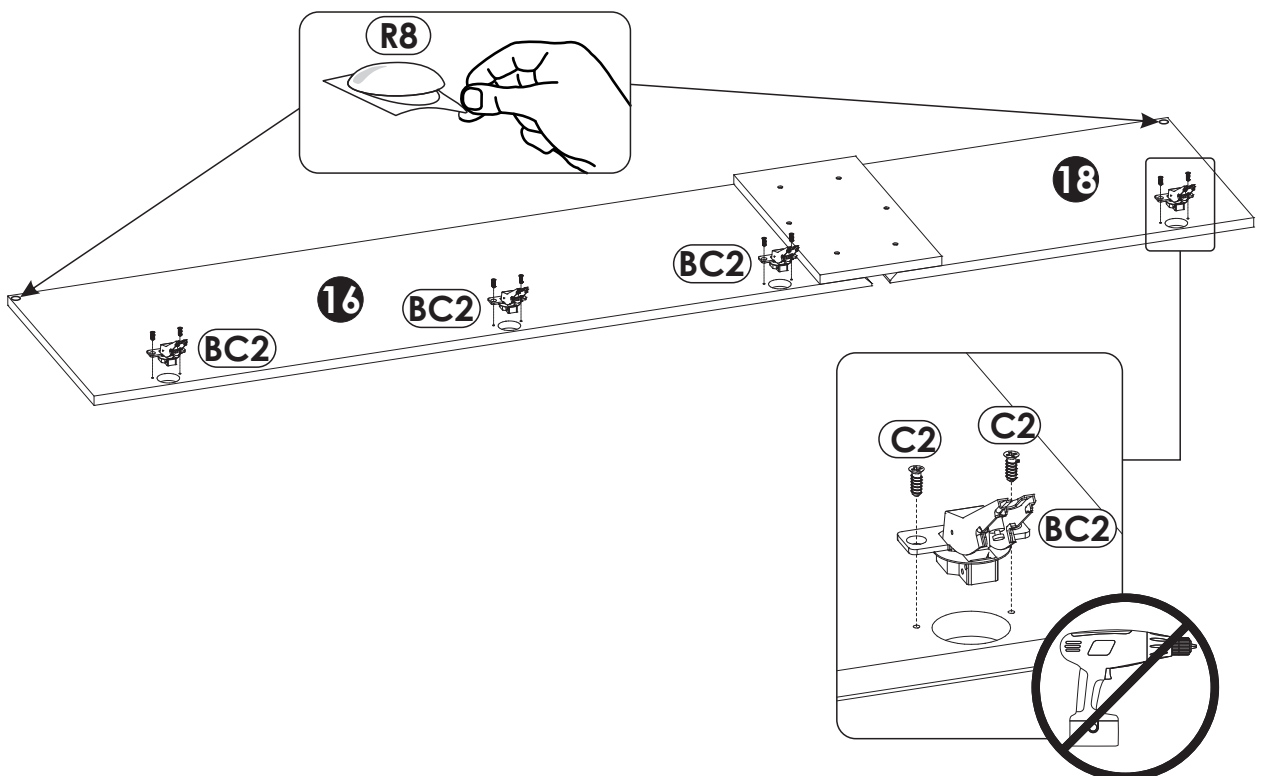
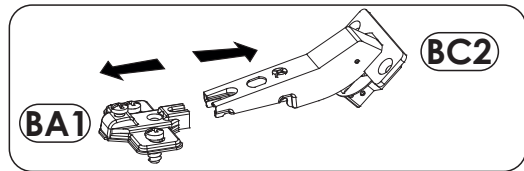
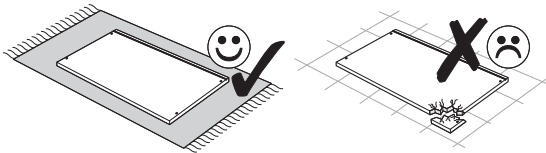
x6

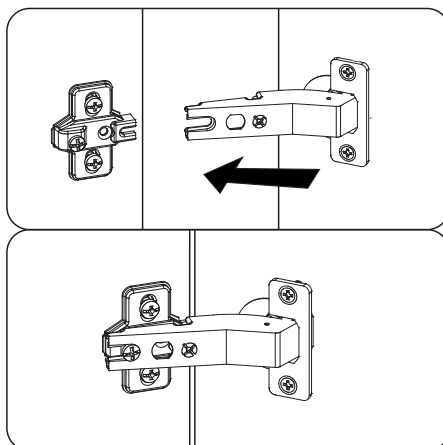
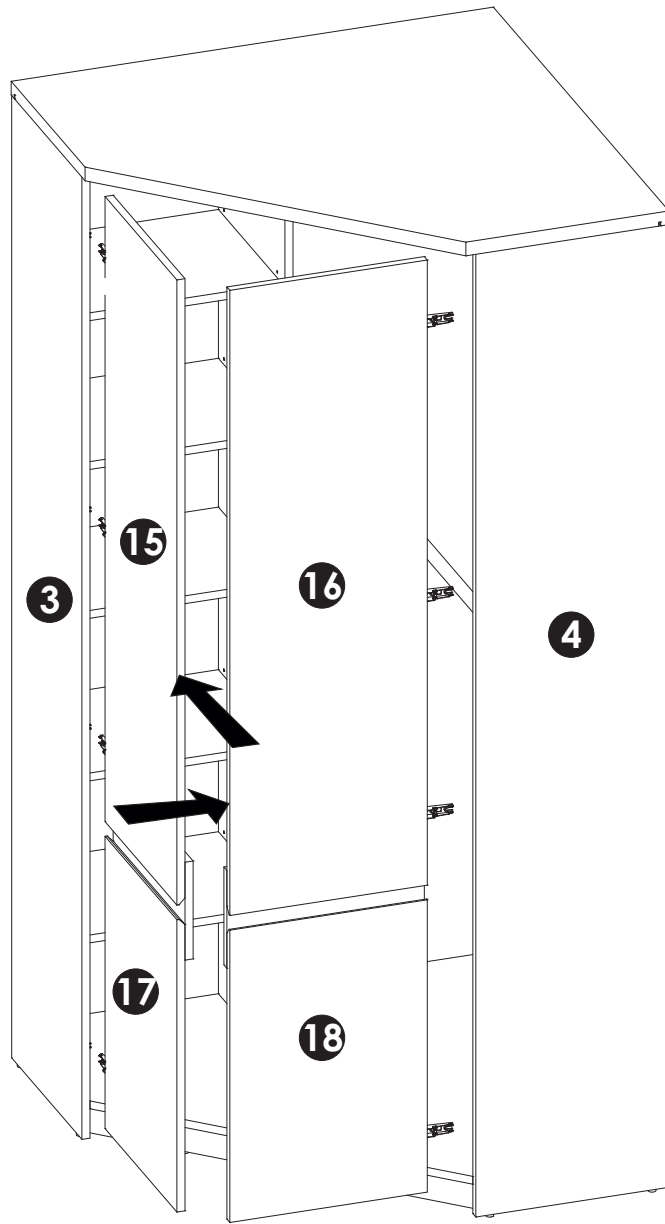


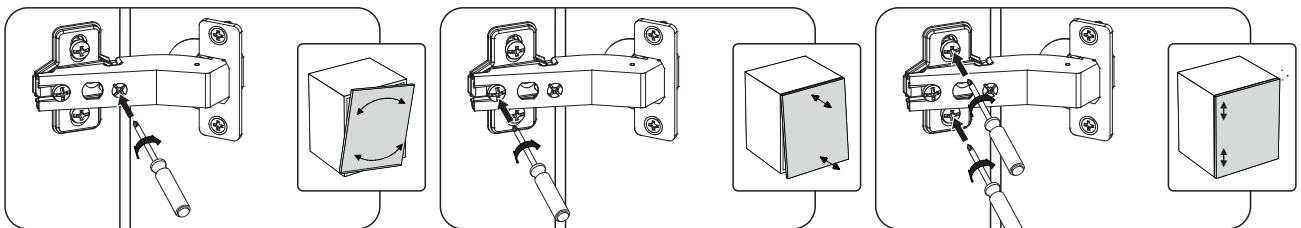
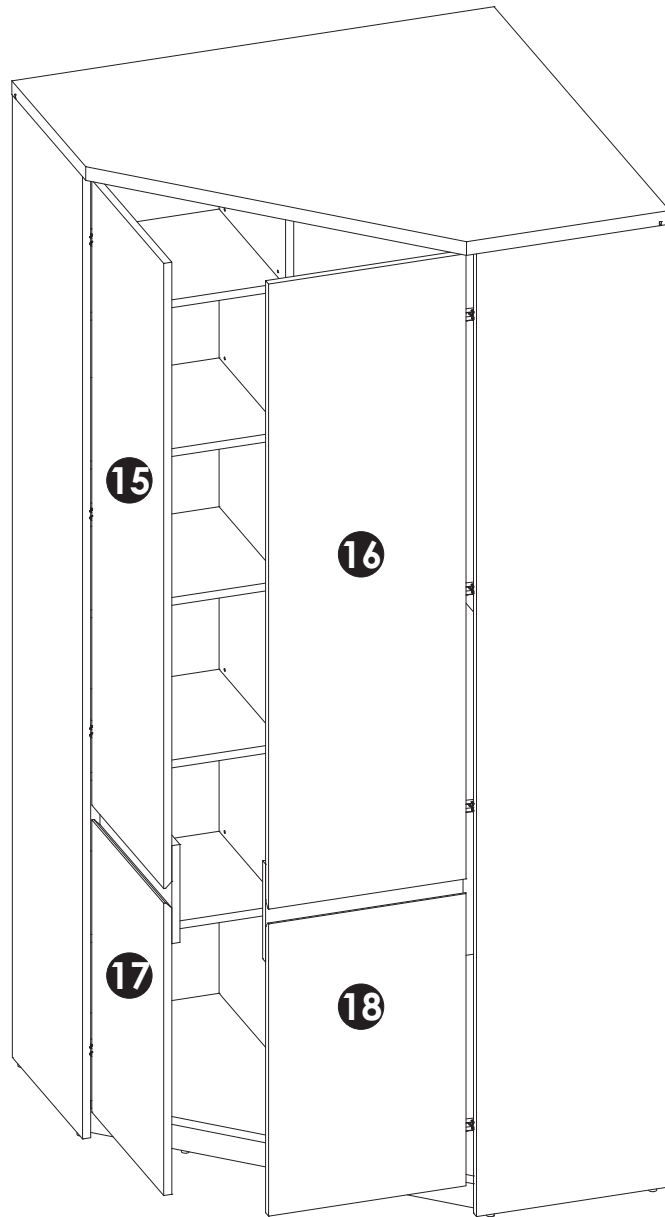
37 ▶

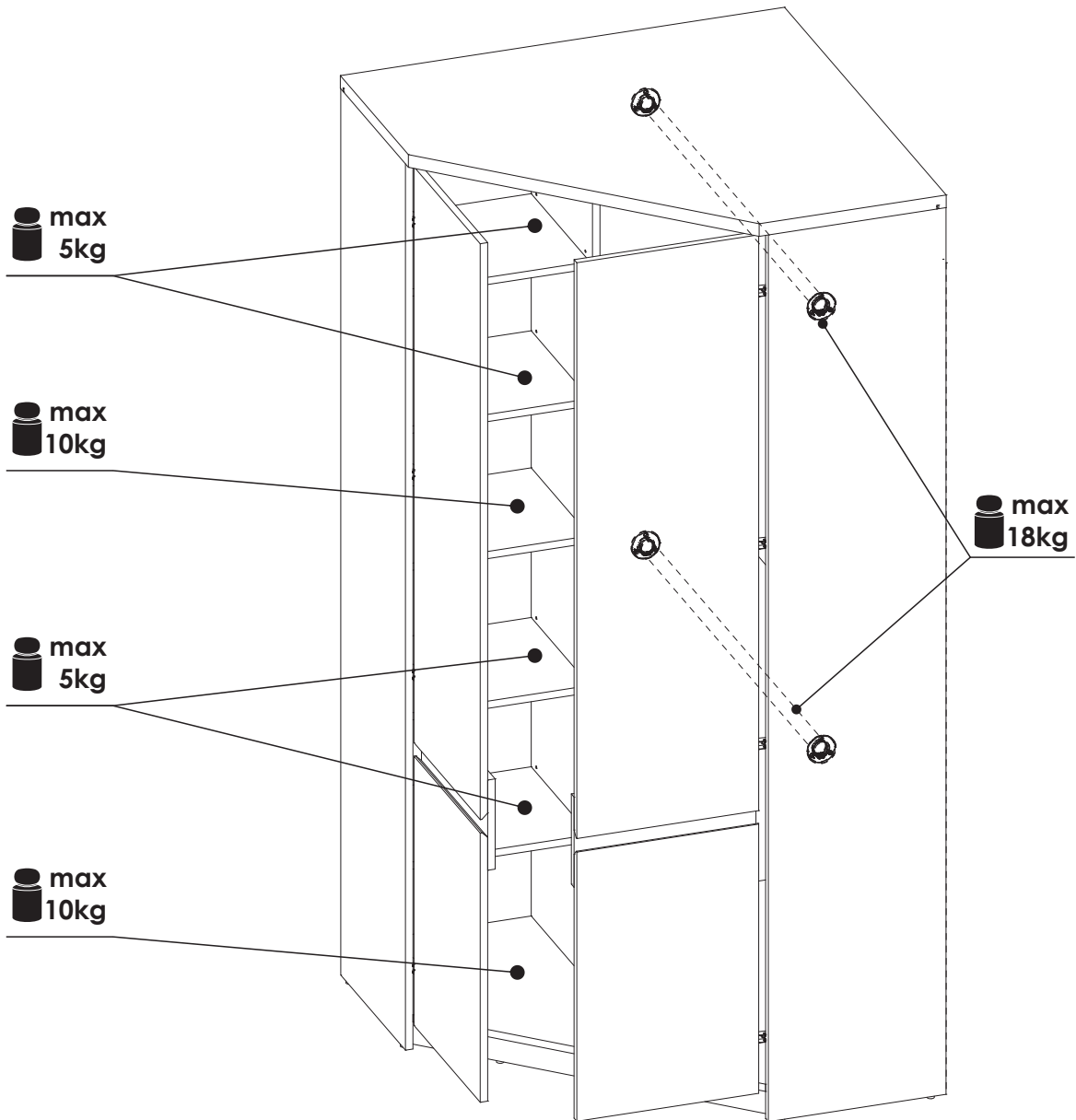


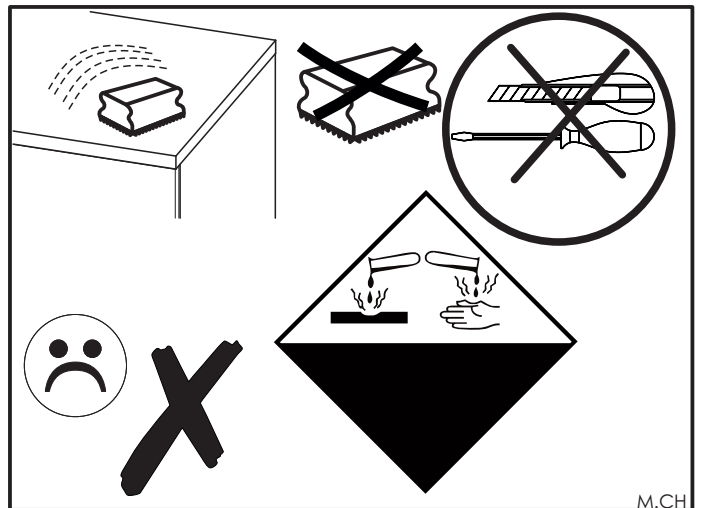
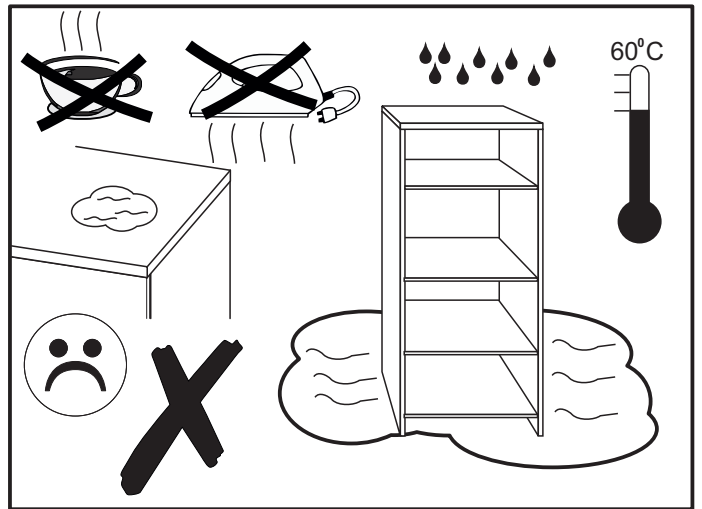
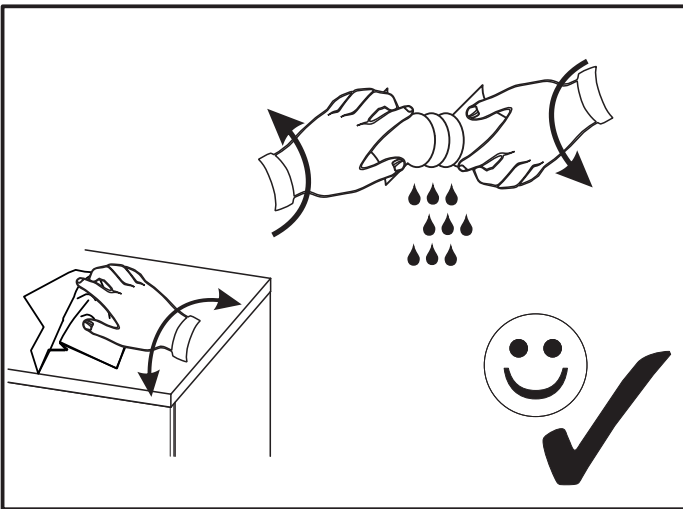
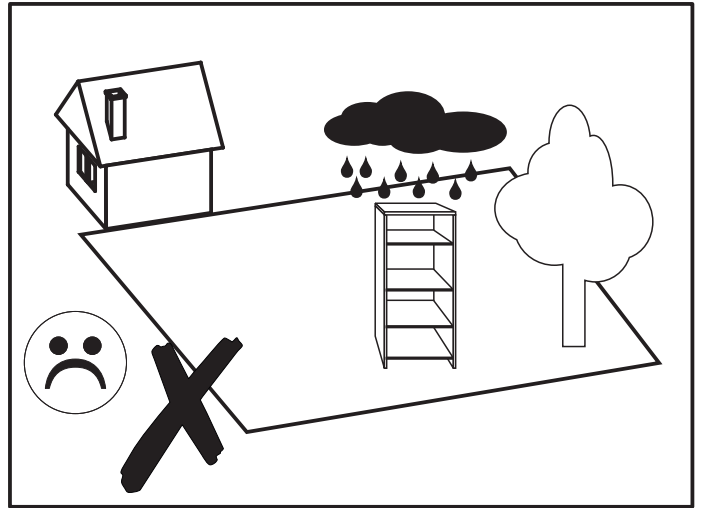
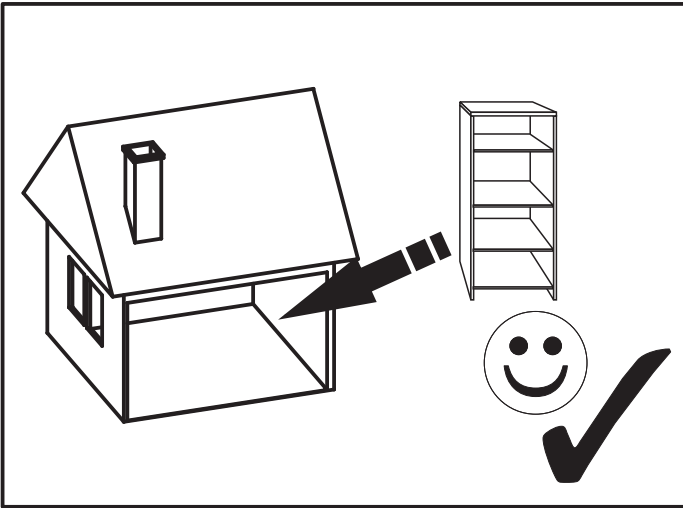
38 ▶





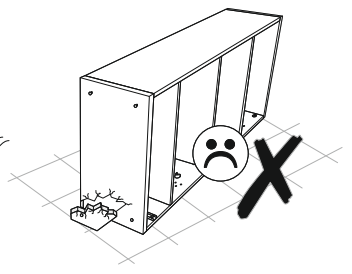
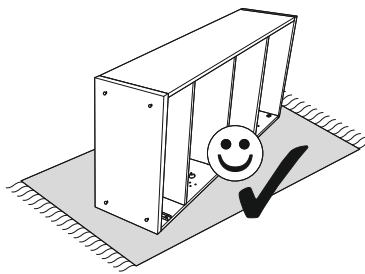
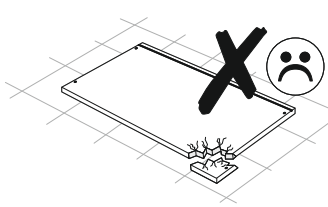
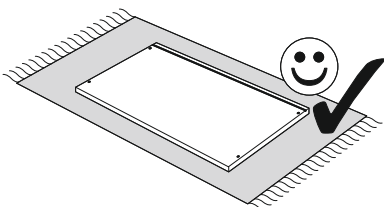
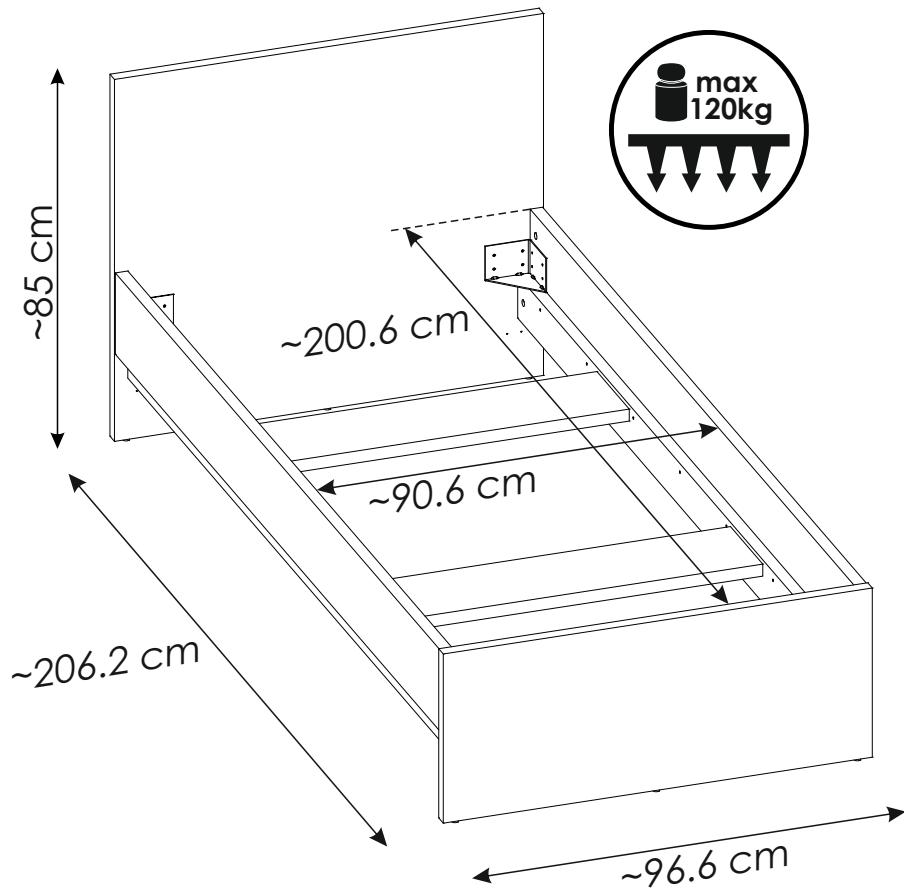
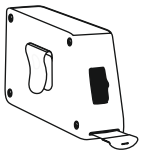
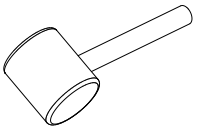
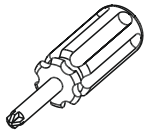
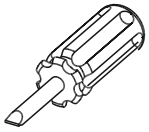
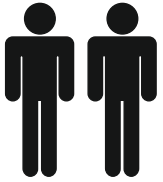


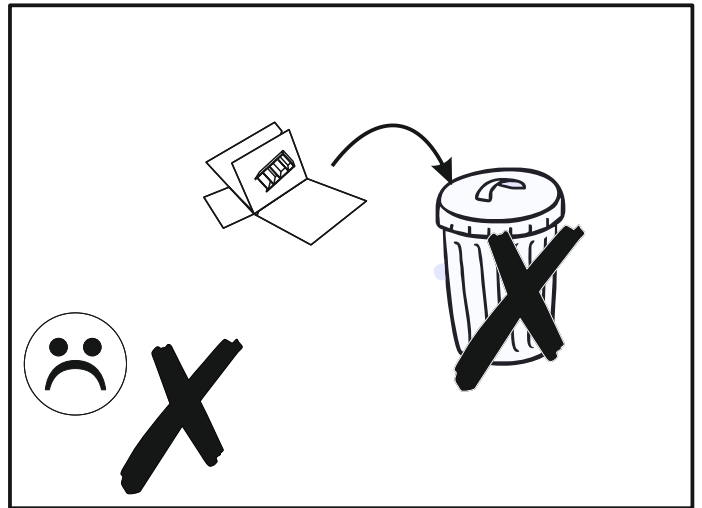


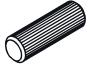


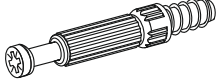
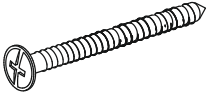
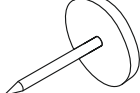
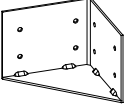


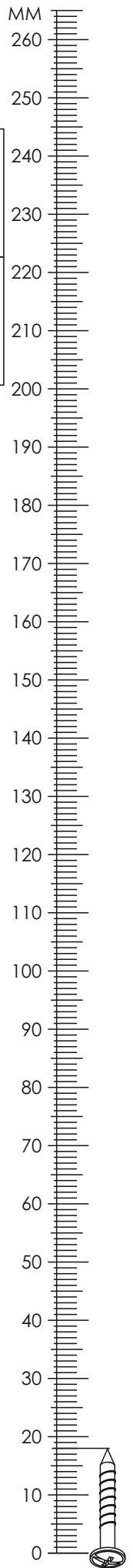


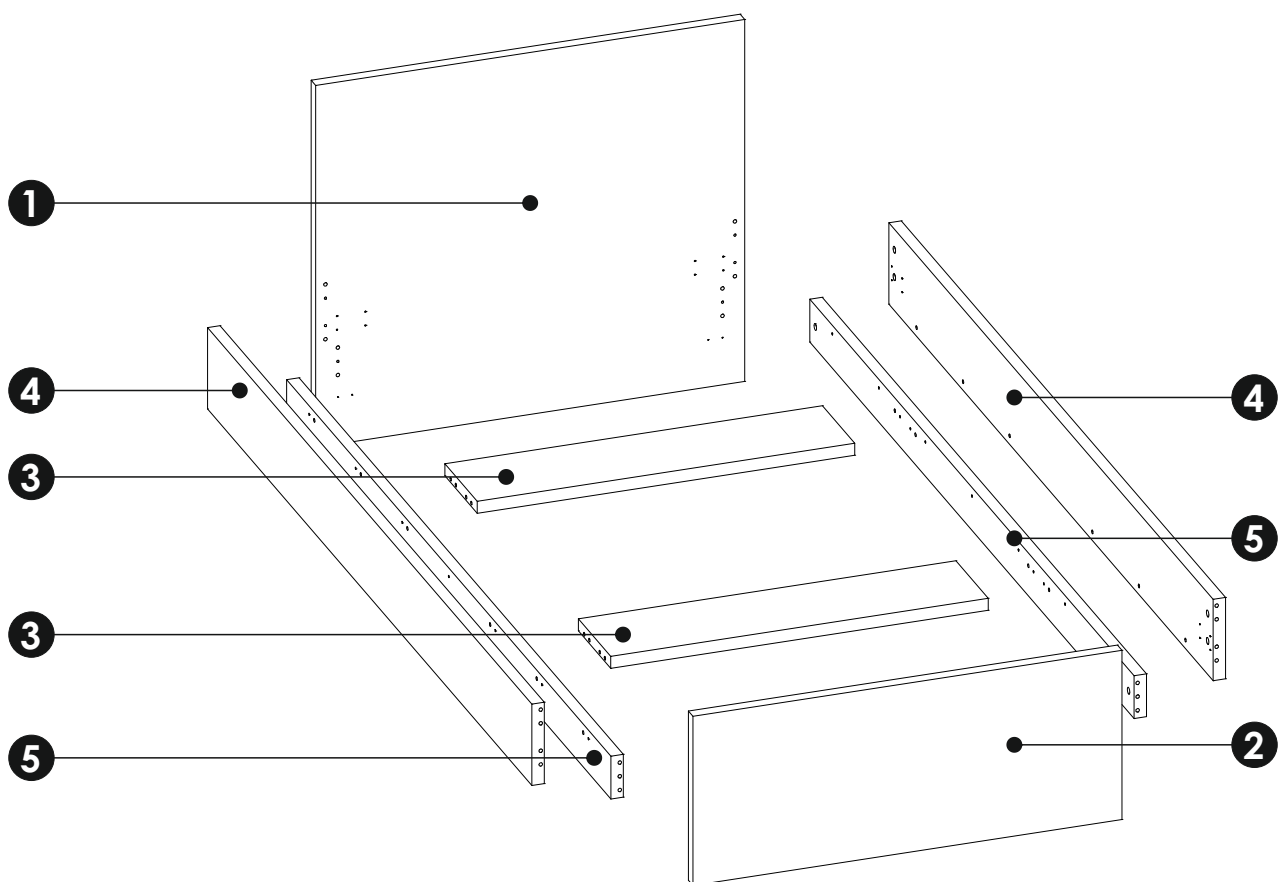
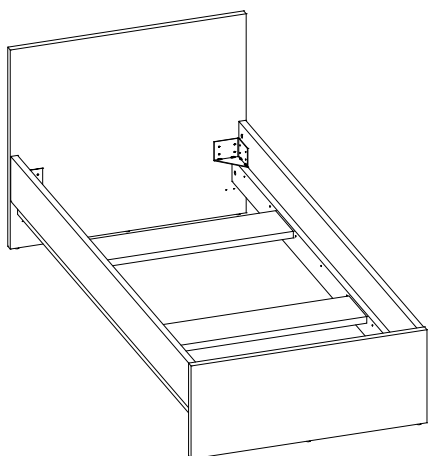
40 MIN



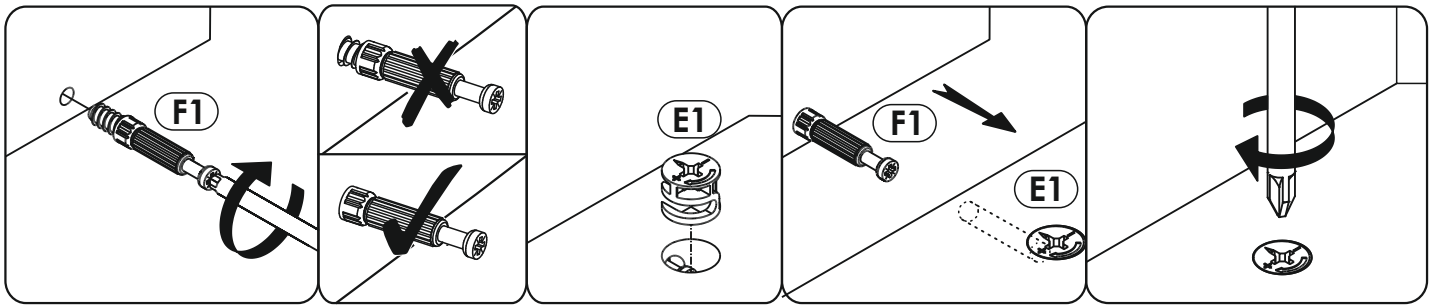


A1 8 x 35 mm x36 	C2 5 x 13 mm x32 	E1 15 x 12 mm x20 
F1 6 x 34 mm x20 	I17 4 x 50 mm x14 	O2 x6 
Z2 x4 		

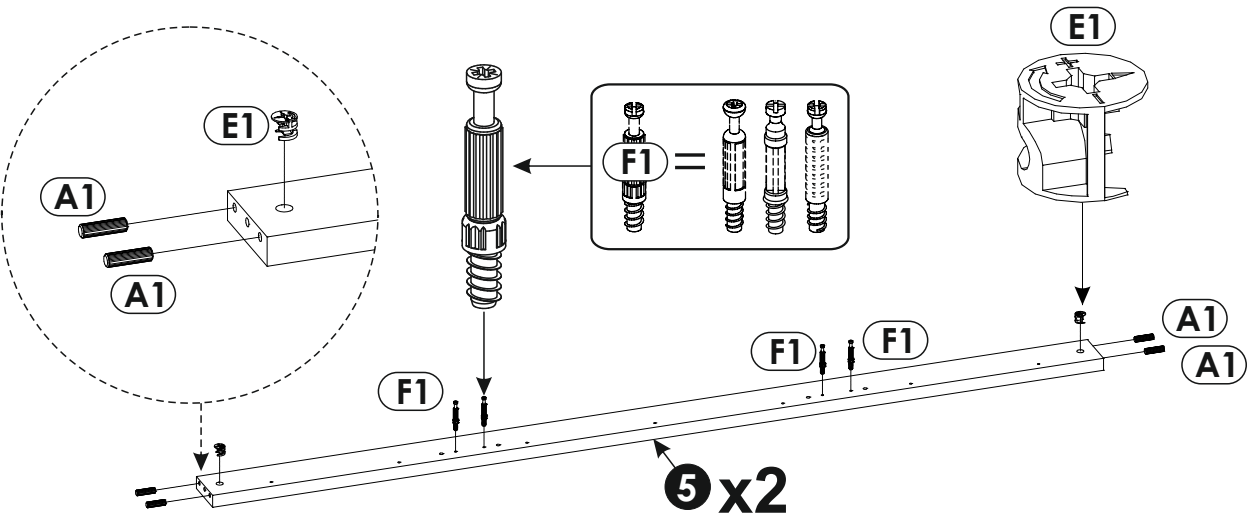
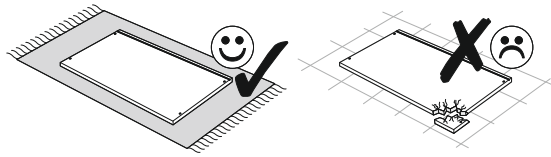




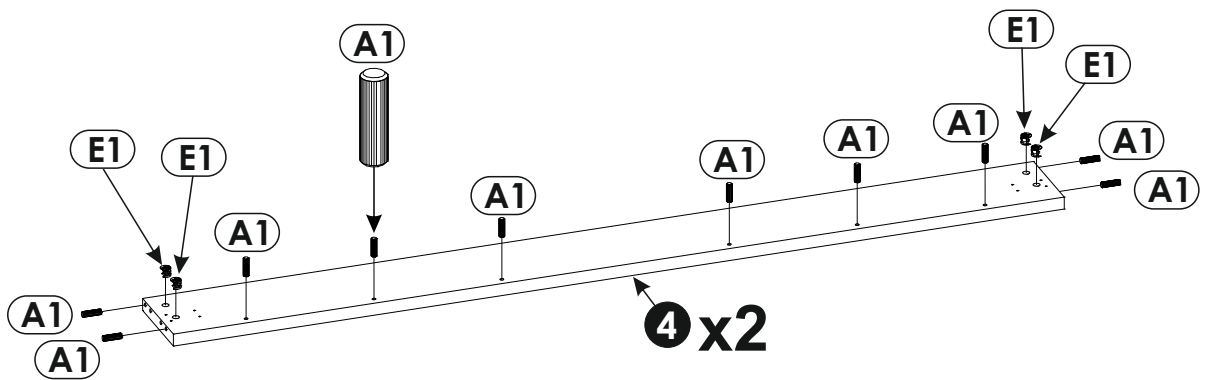
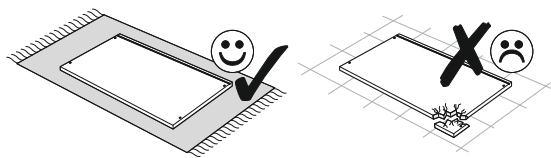
1	966	845	28	x1	2/2
2	966	395	28	x1	2/2
3	850	200	28	x2	2/2
4	2006	190	28	x2	1/2
5	100	2006	28	x2	1/2



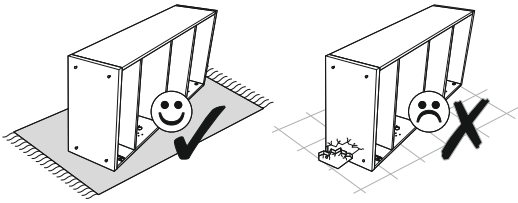
1 ▶



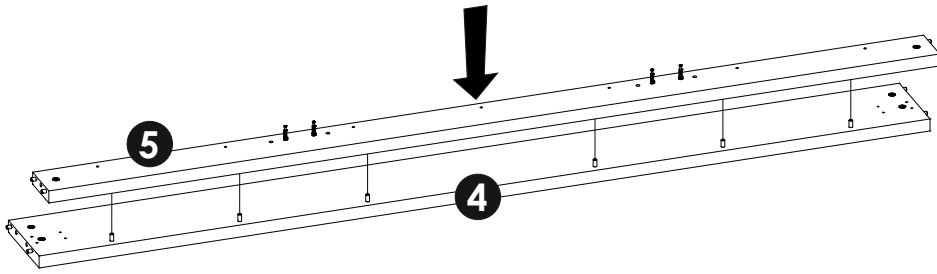
2 ▶



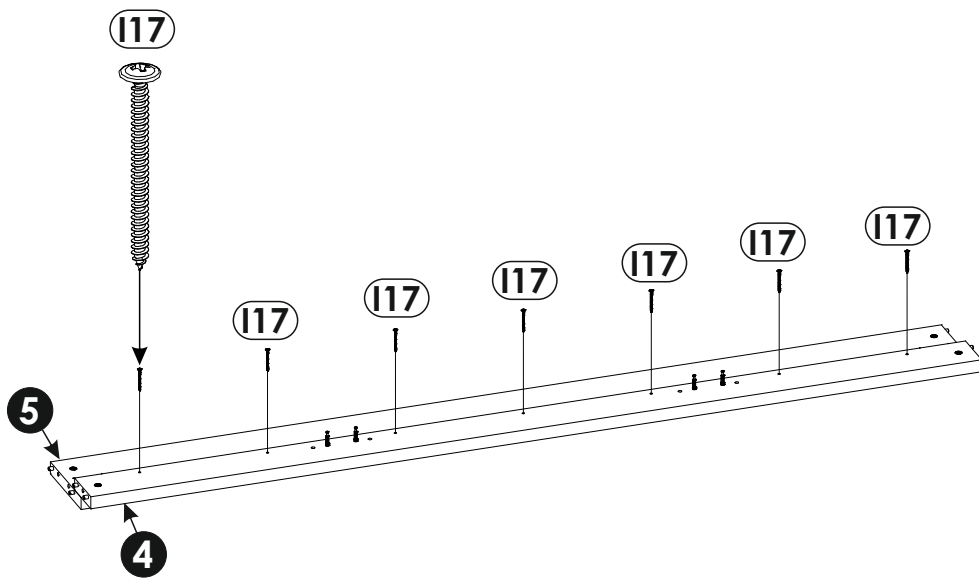
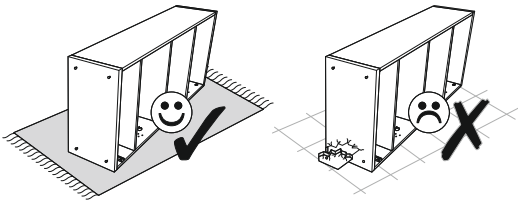
3 ▶



x2

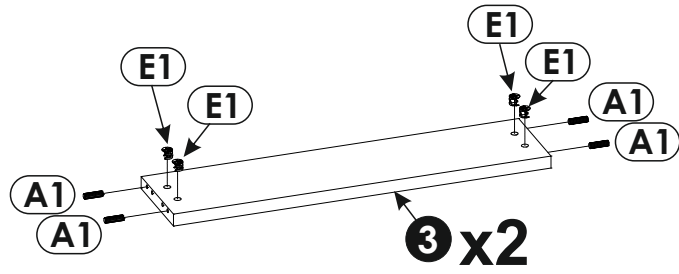
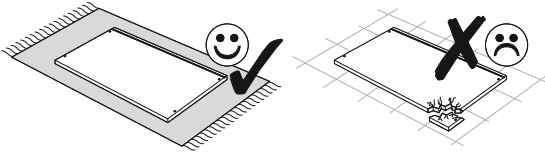


4 ▶

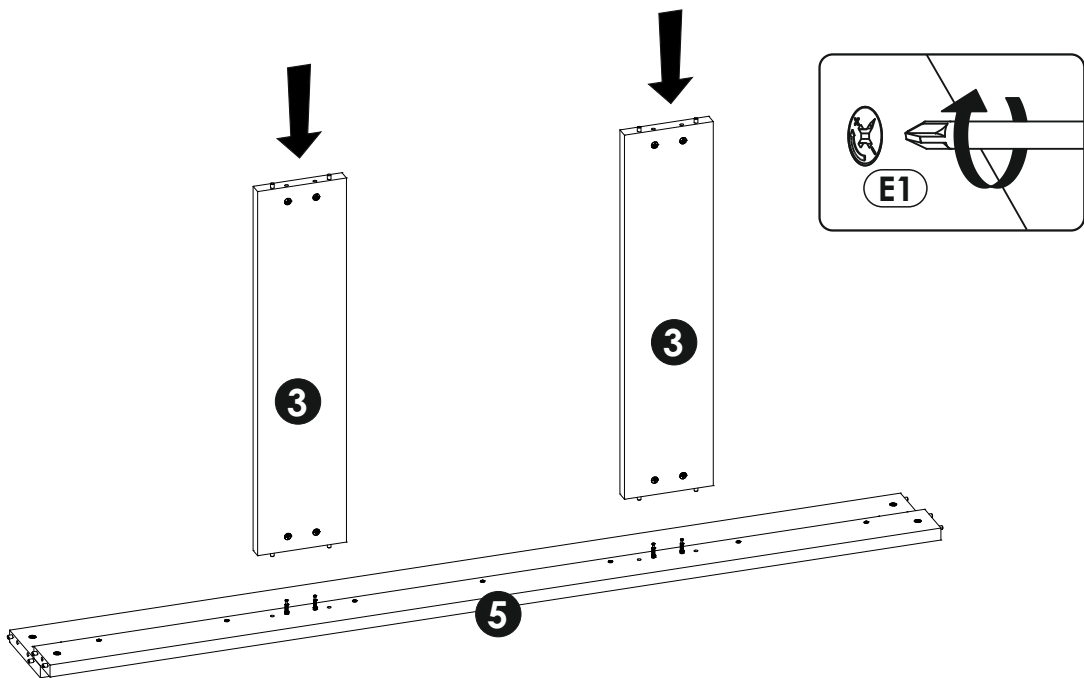
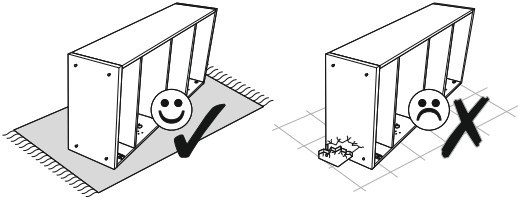


x2

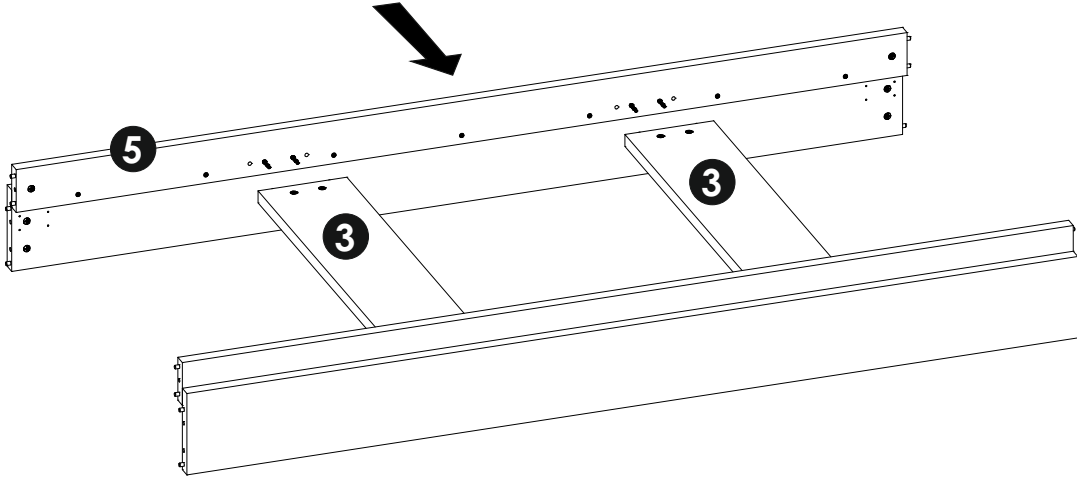
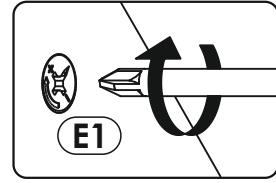
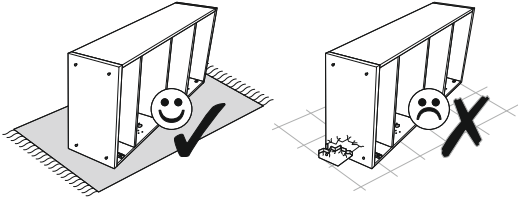
5 ▶



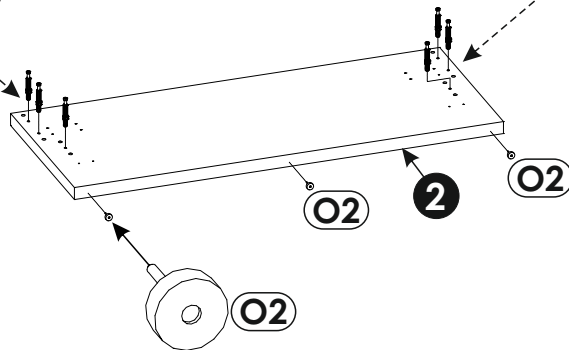
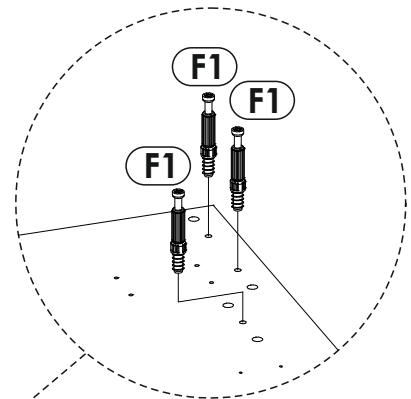
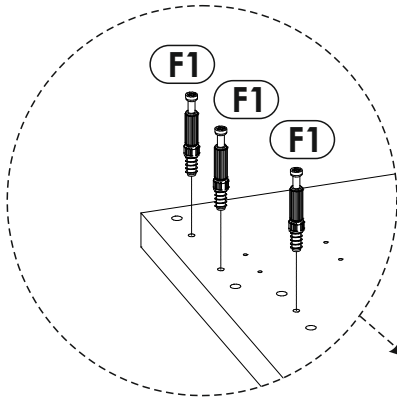
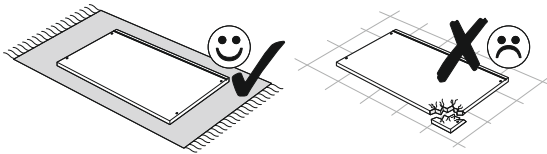
6 ▶



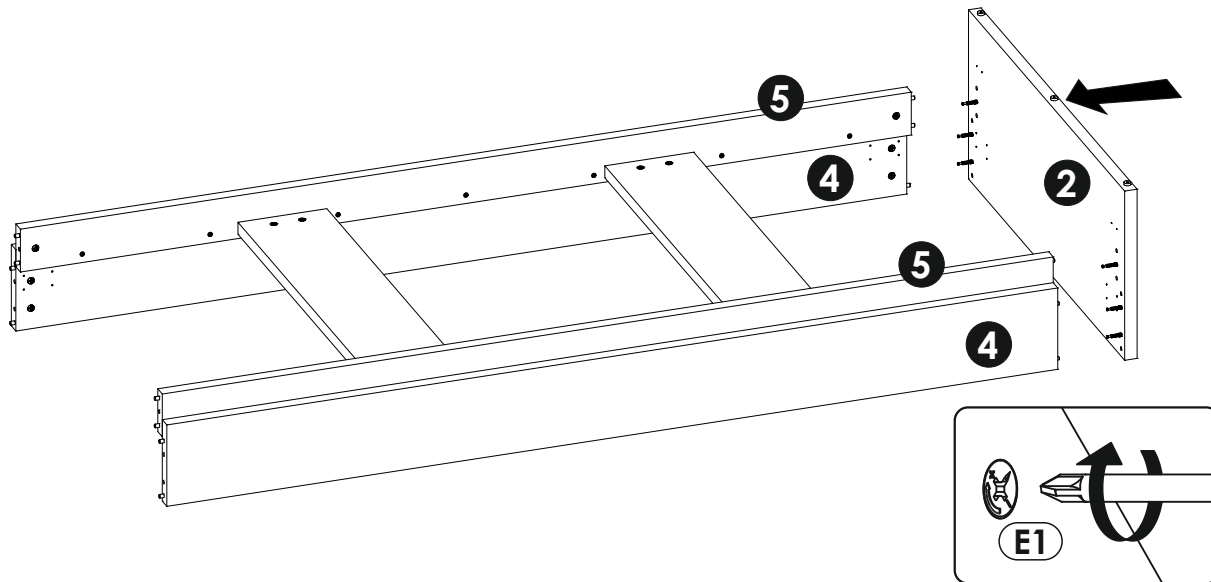
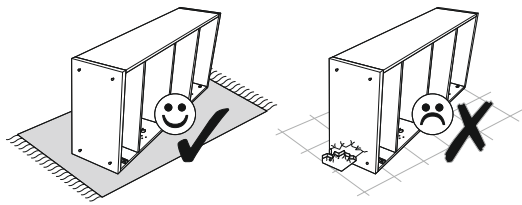
7 ▶



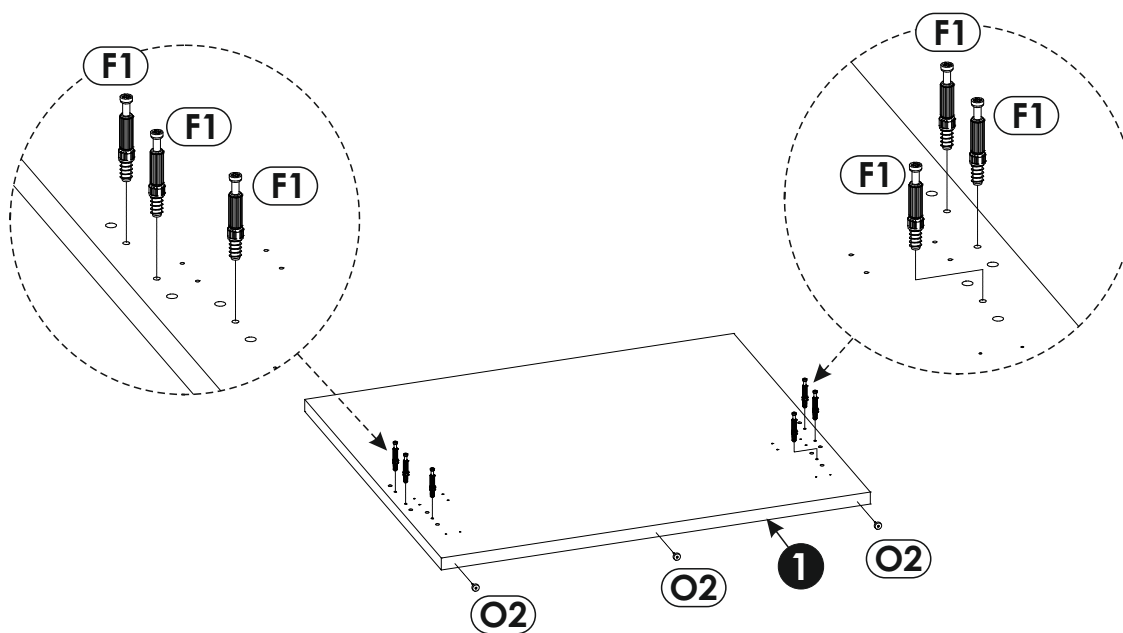
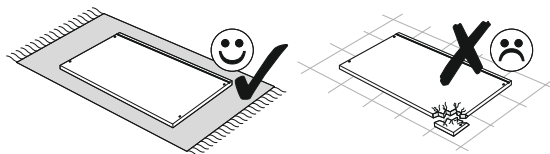
8 ▶



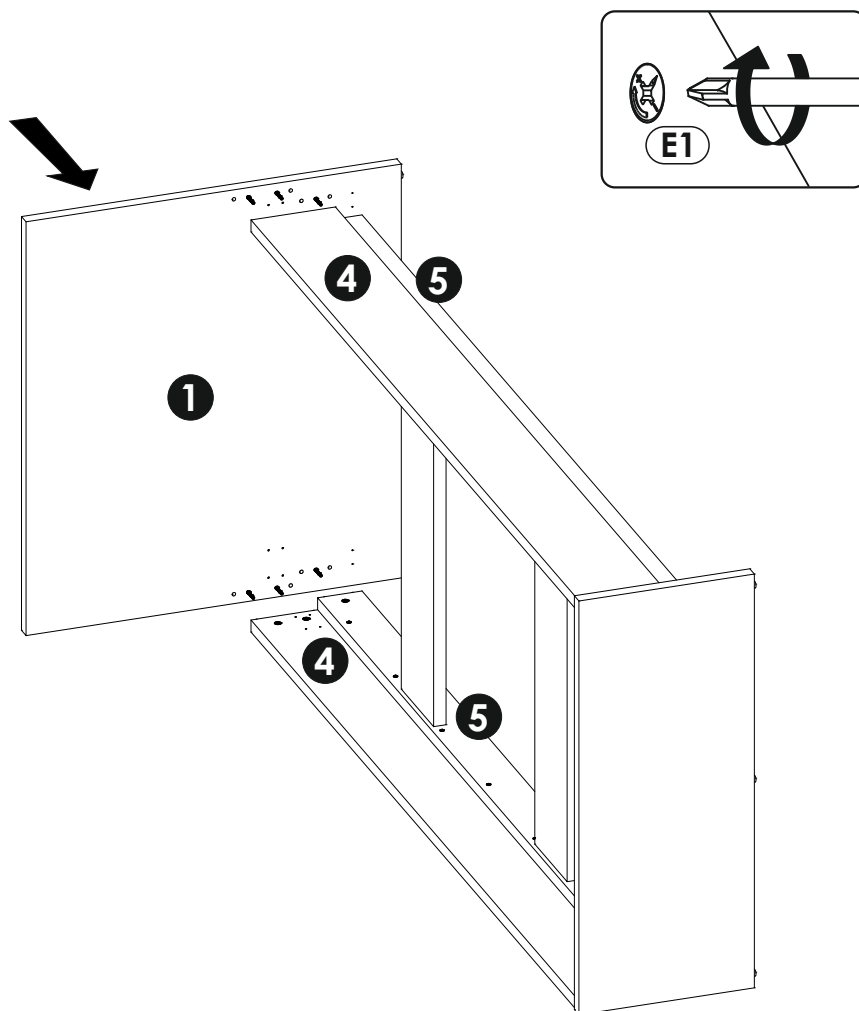
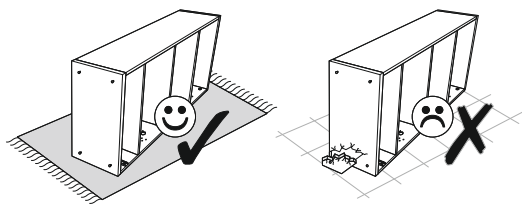
9 ▶



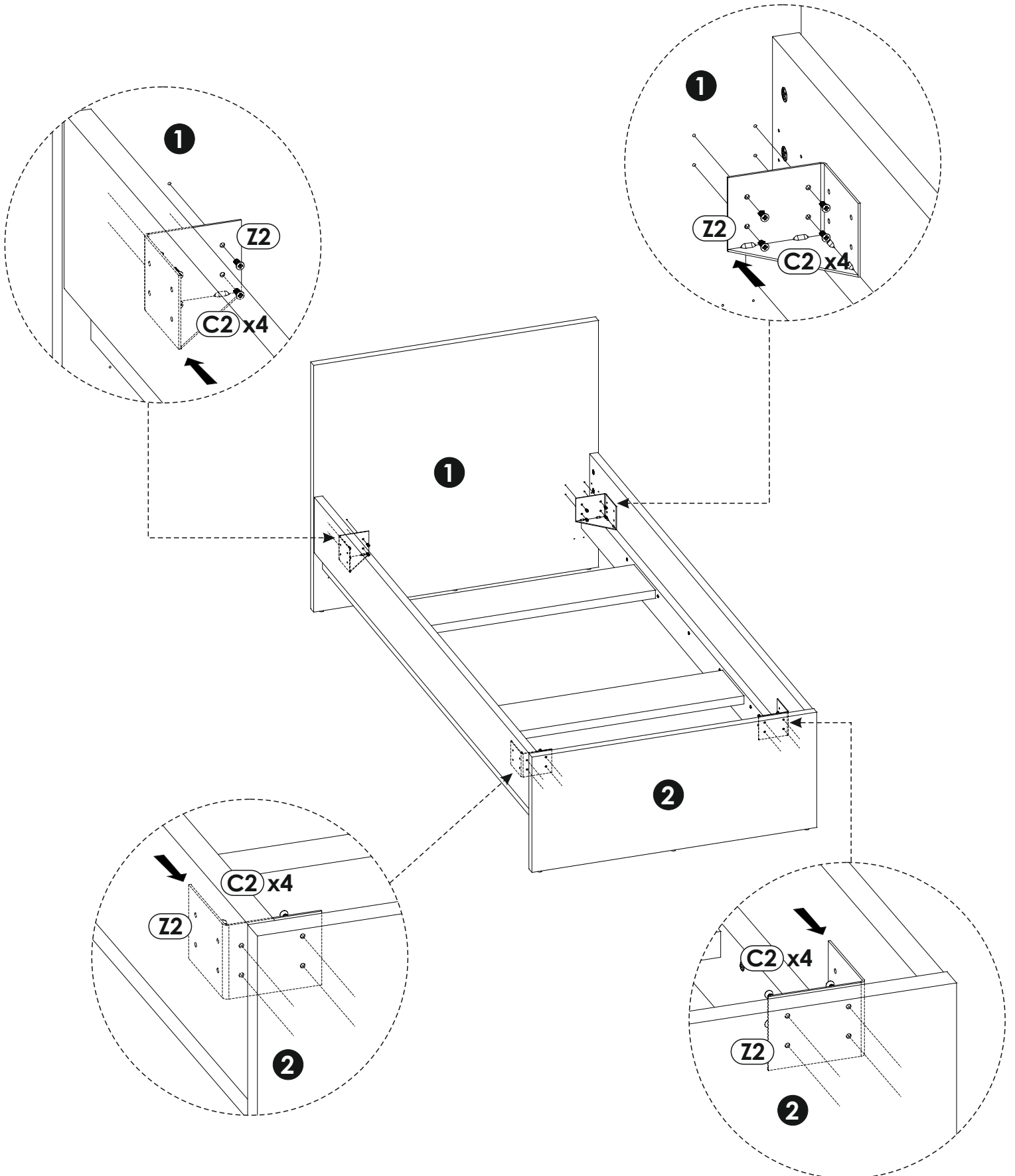
10 ▶



11 ▶



12▶



13 ▶

