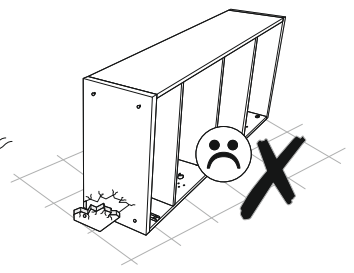
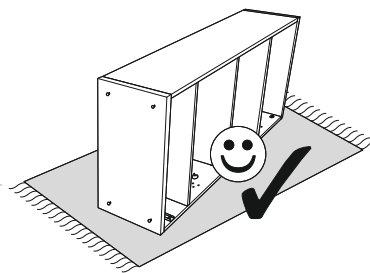
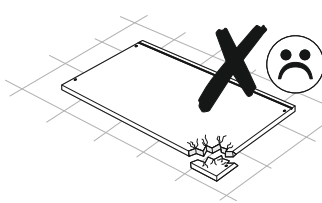
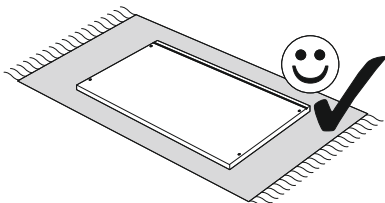
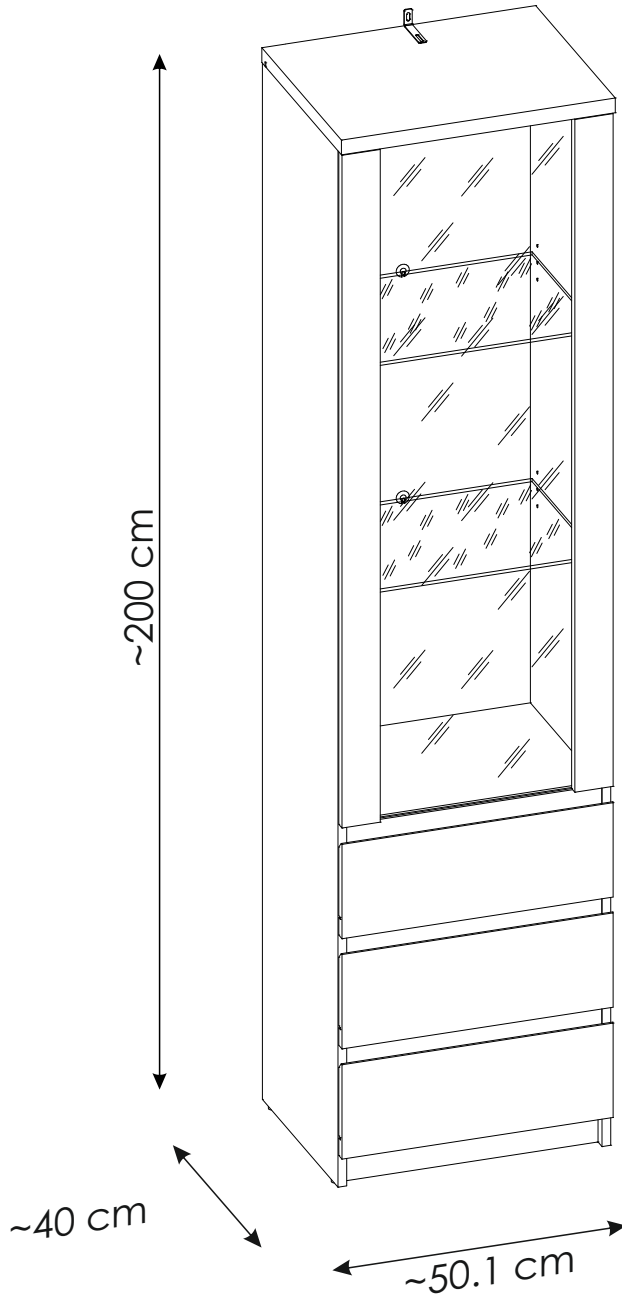
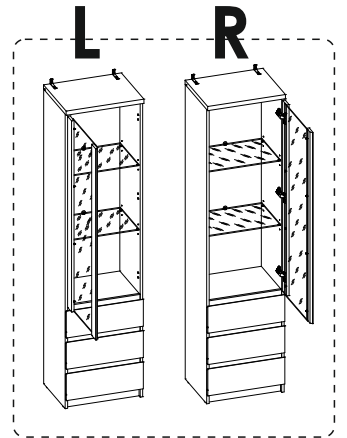
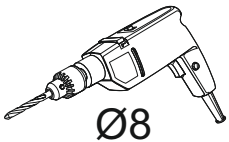
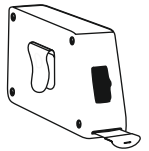
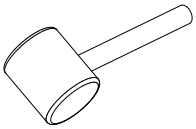
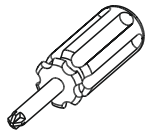
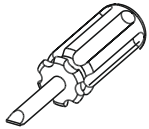
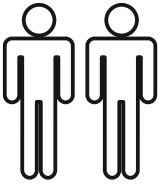
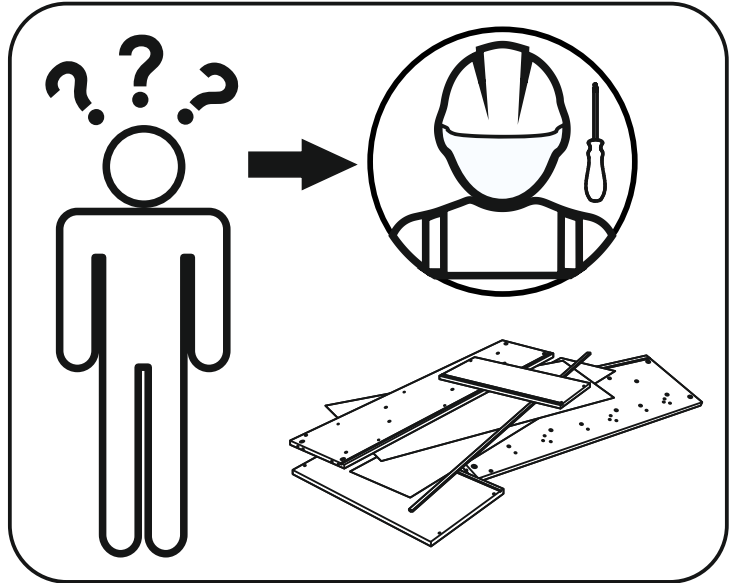
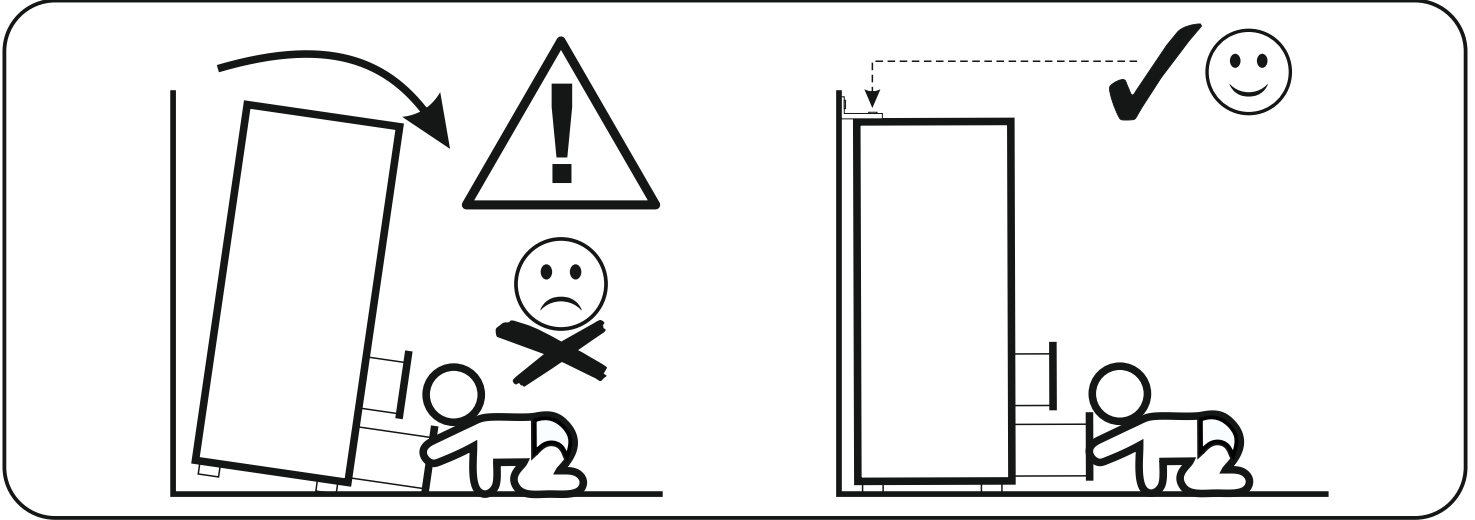


FRIV01



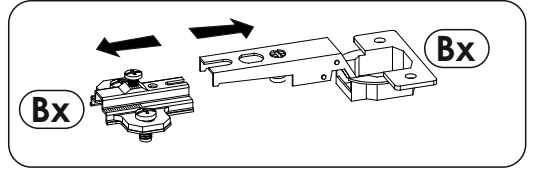
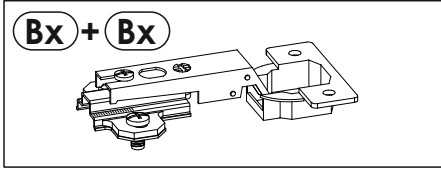
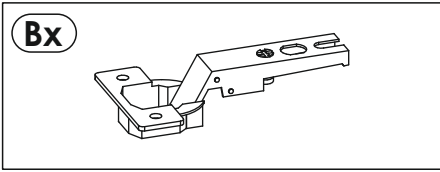
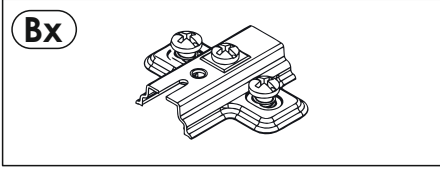




A

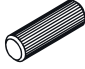
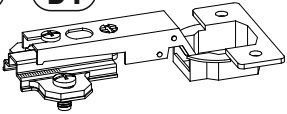





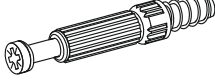



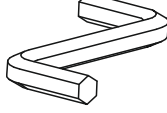
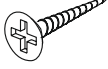
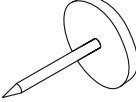
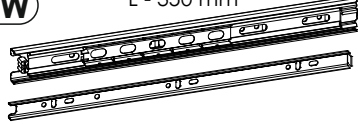
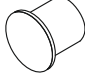

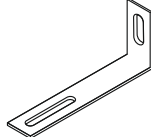
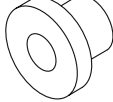
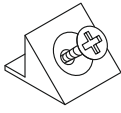
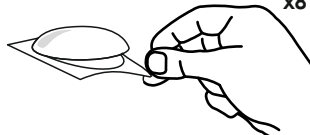
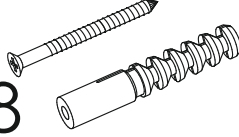
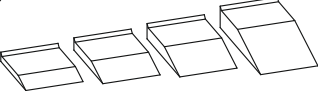


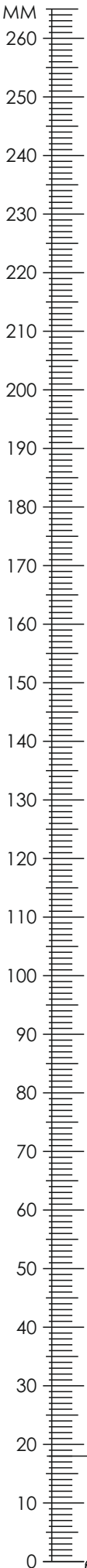
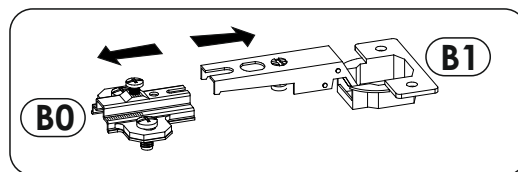
B



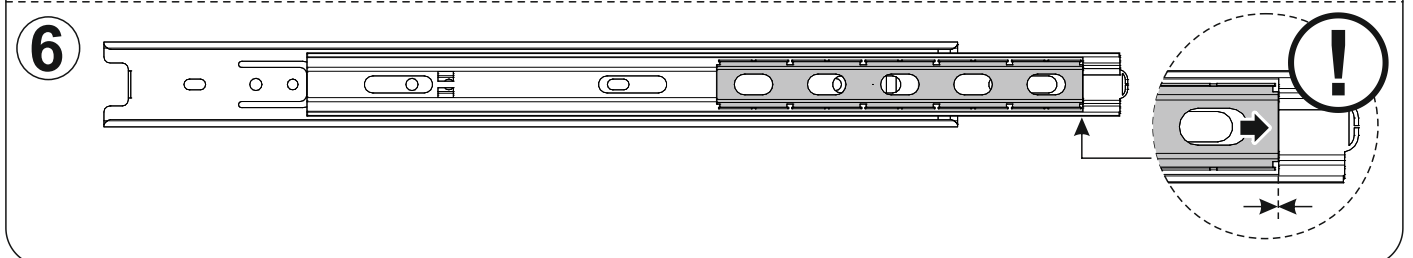
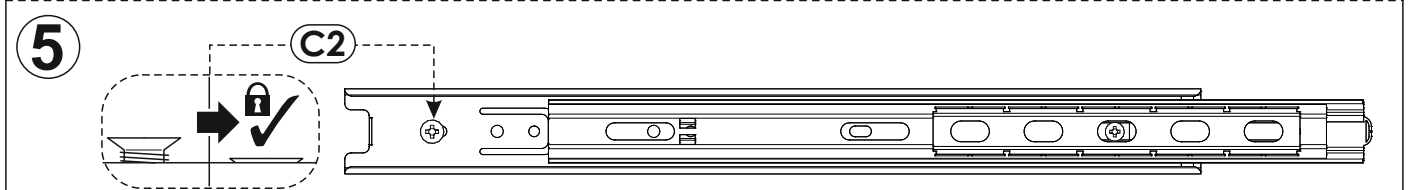
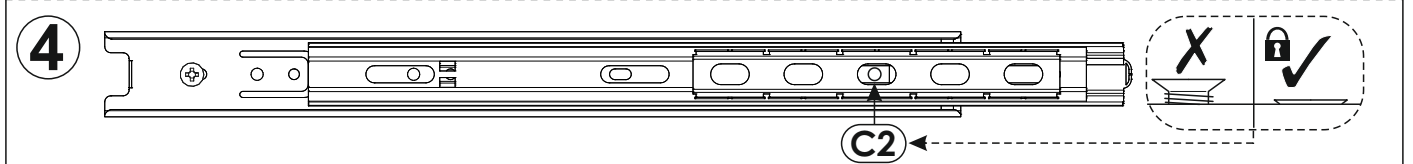
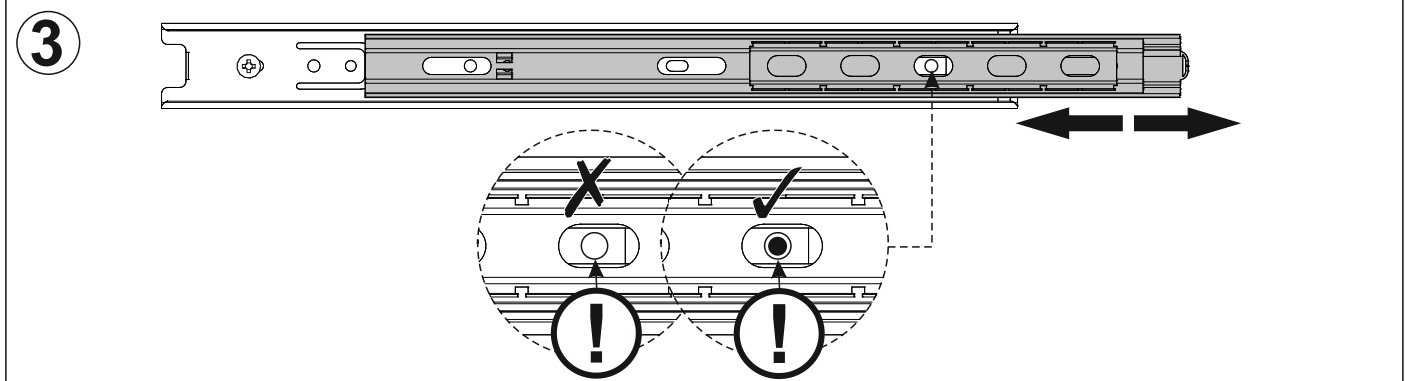
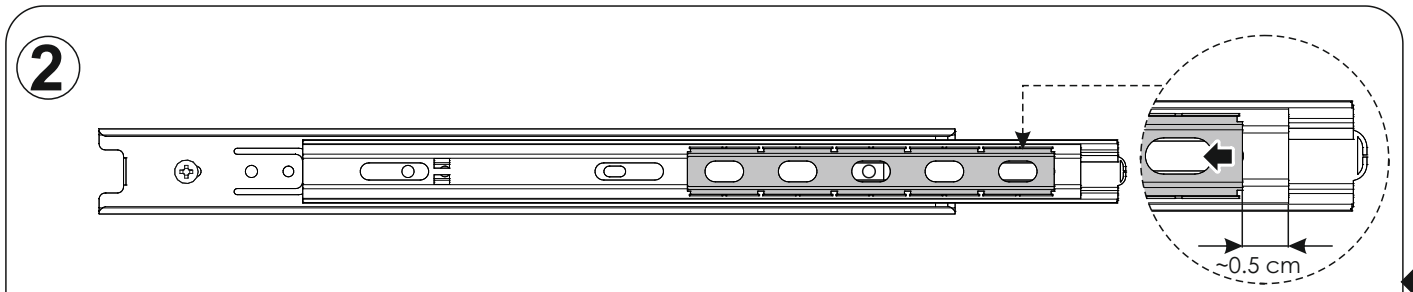
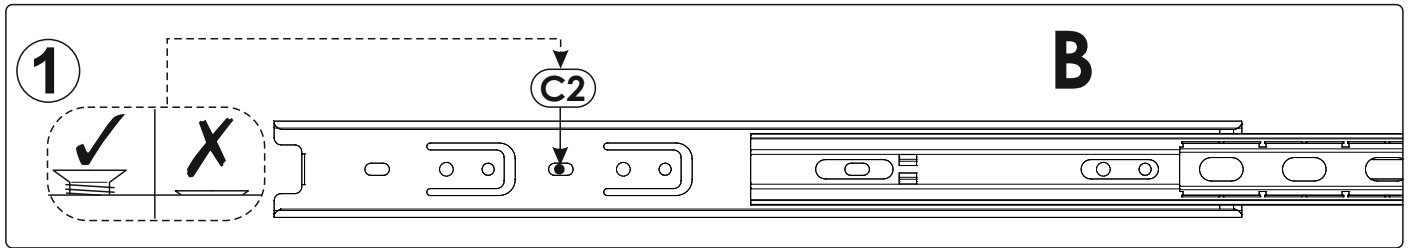
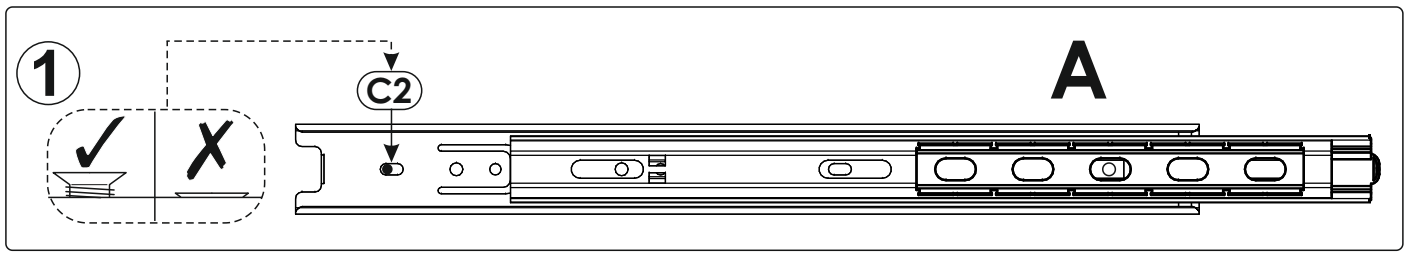
FRIV01

MM

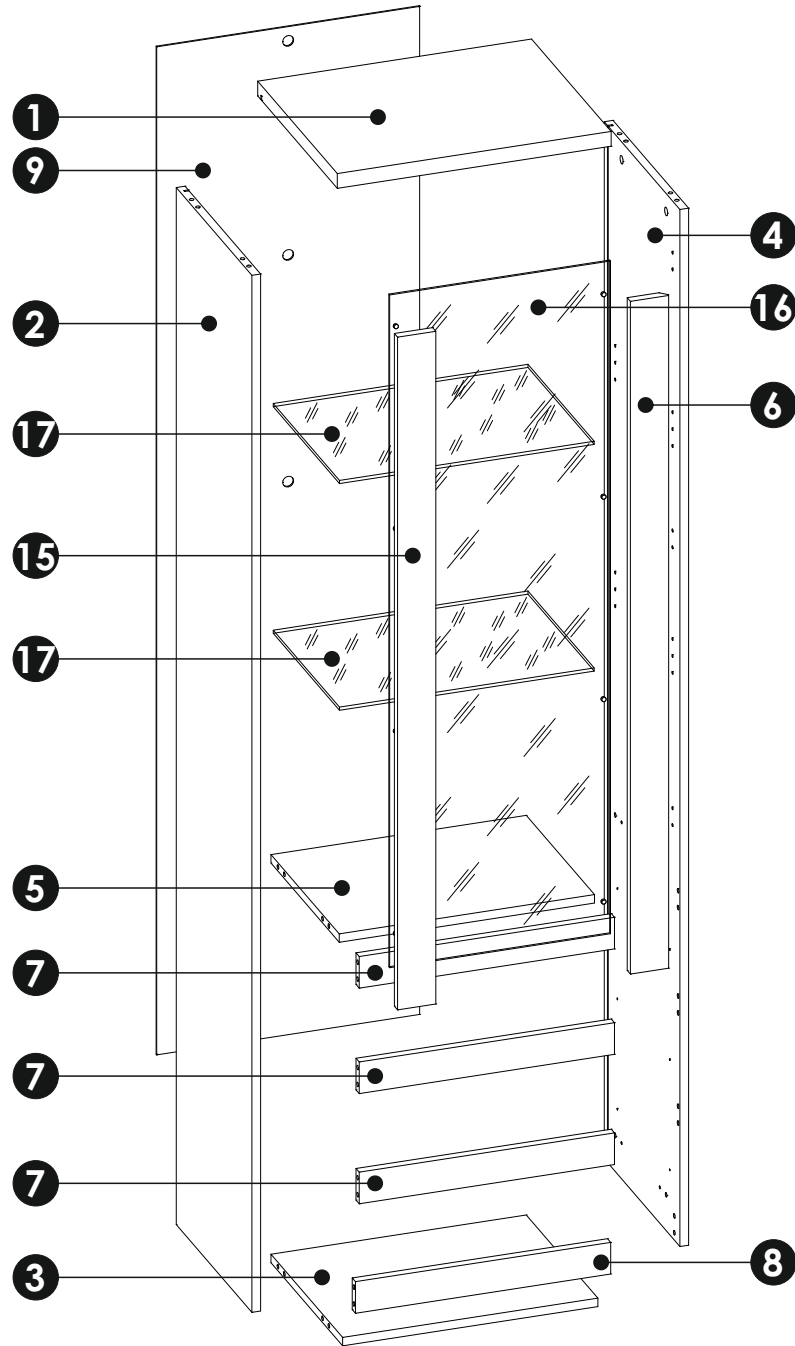
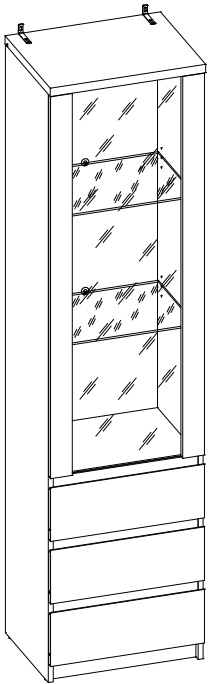
<p>A1 8 x 35 mm x52</p> 	<p>B0 + B1 x3</p> 	<p>C1 4 x 13 mm x6</p> 
<p>C2 5 x 13 mm x12</p> 	<p>D2 x8</p> 	<p>E0 x10</p> 
<p>E1 15 x 12 mm x18</p> 	<p>F1 6 x 34 mm x18</p> 	<p>G1 7 x 50 mm x6</p> 
<p>I2 4 x 16 mm x9</p> 	<p>J4 3,5 x 16 mm x18</p> 	<p>M x1</p> 
<p>N1 3 X 16 mm x20</p> 	<p>O2 x4</p> 	<p>PW L - 350 mm x6</p> 
<p>P0 x6</p> 	<p>P15 x3</p> 	<p>Q9 x1</p> 
<p>R3 x8</p> 	<p>R4 x14</p> 	<p>R8 x8</p> 
<p>S13 x1</p> <p>Ø8</p> 	<p>Z x1</p> 	



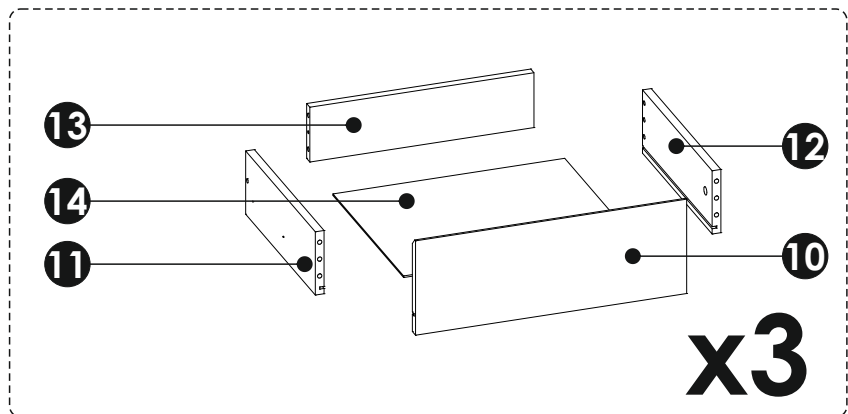
FRIV01

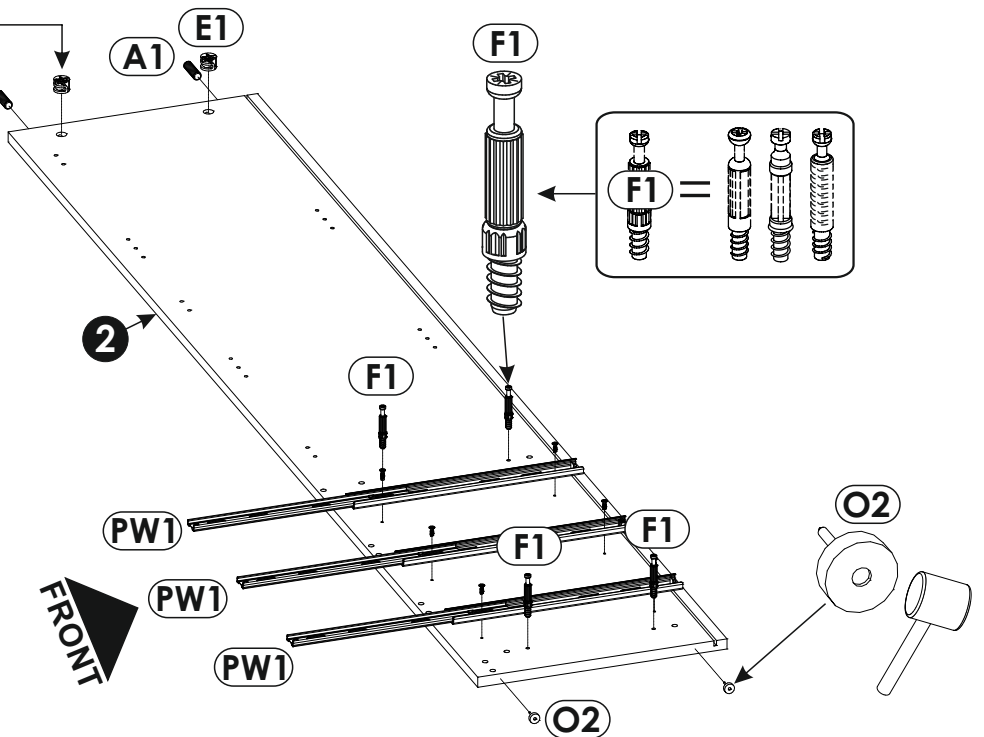
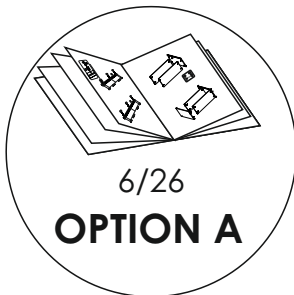
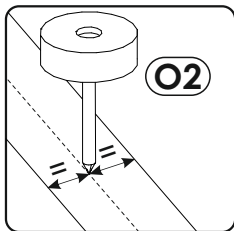
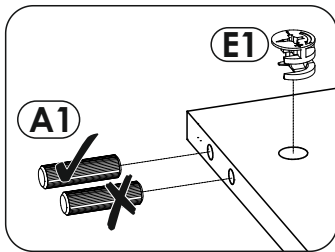
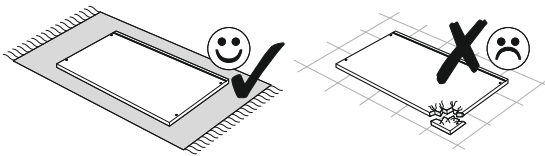
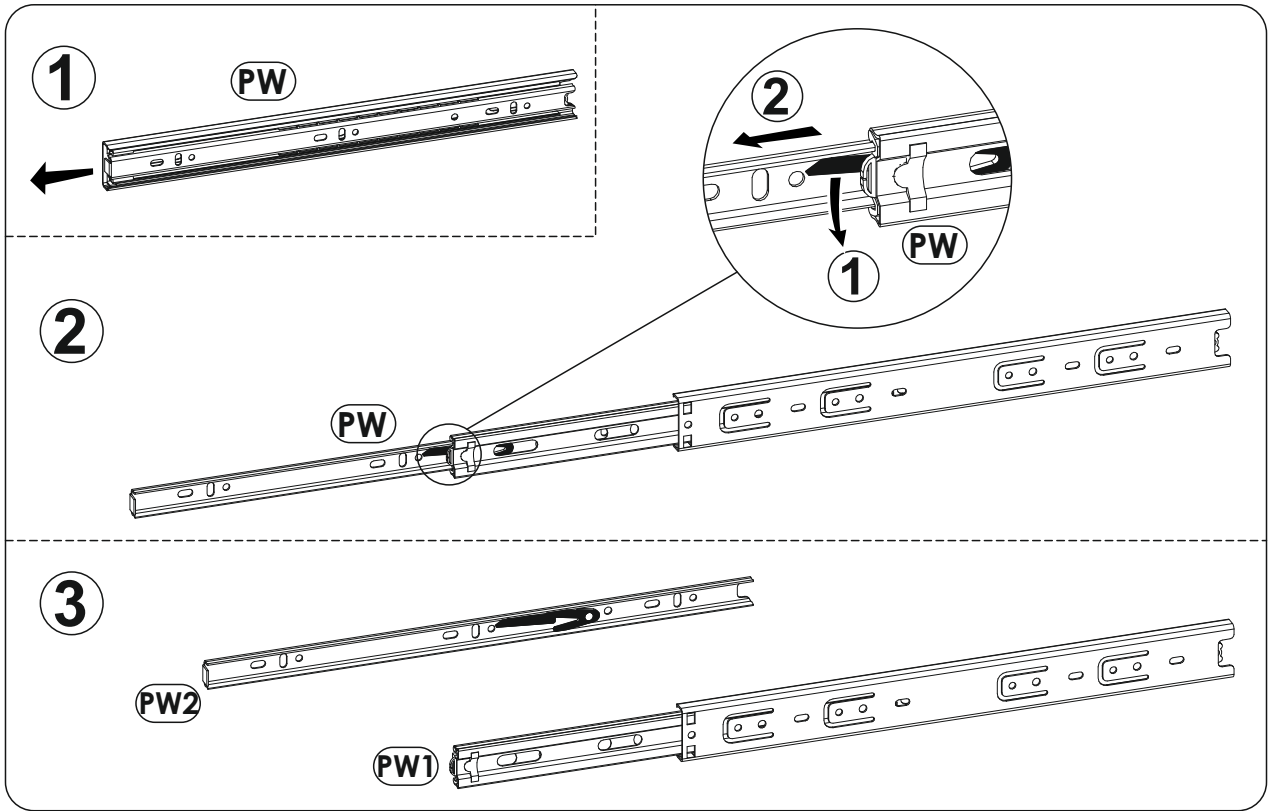


FRIV01

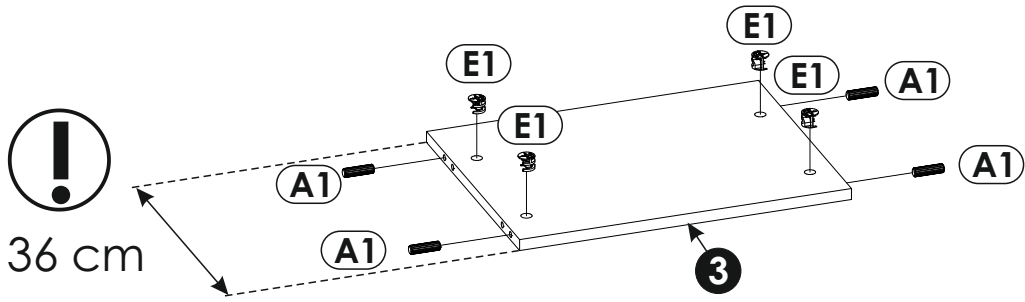
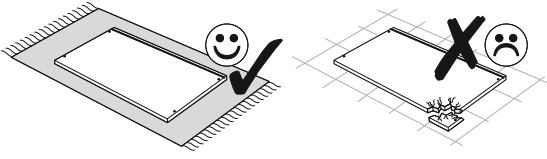


1	501	400	28	x1	1/2
2	1967	380	16	x1	2/2
3	467	360	16	x1	1/2
4	1967	380	16	x1	2/2
5	467	343	16	x1	1/2
6	1276	70	16	x1	2/2
7	467	60	16	x3	1/2
8	467	60	16	x1	1/2
9	1912	481	3	x1	2/2
10	496	179	16	x3	1/2
11	350	120	16	x3	1/2
12	350	120	16	x3	1/2
13	410	104	16	x3	1/2
14	424	355	3	x3	1/2
15	1276	70	16	x1	2/2
16	1276	416	4	x1	2/2
17	466	333	6	x2	1/2

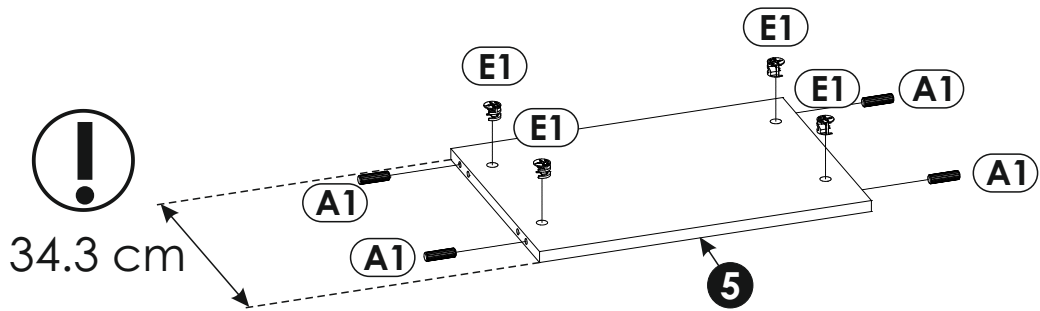
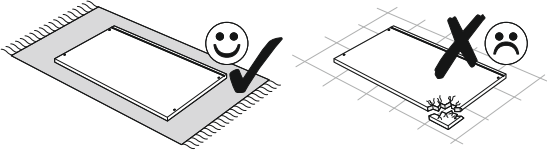


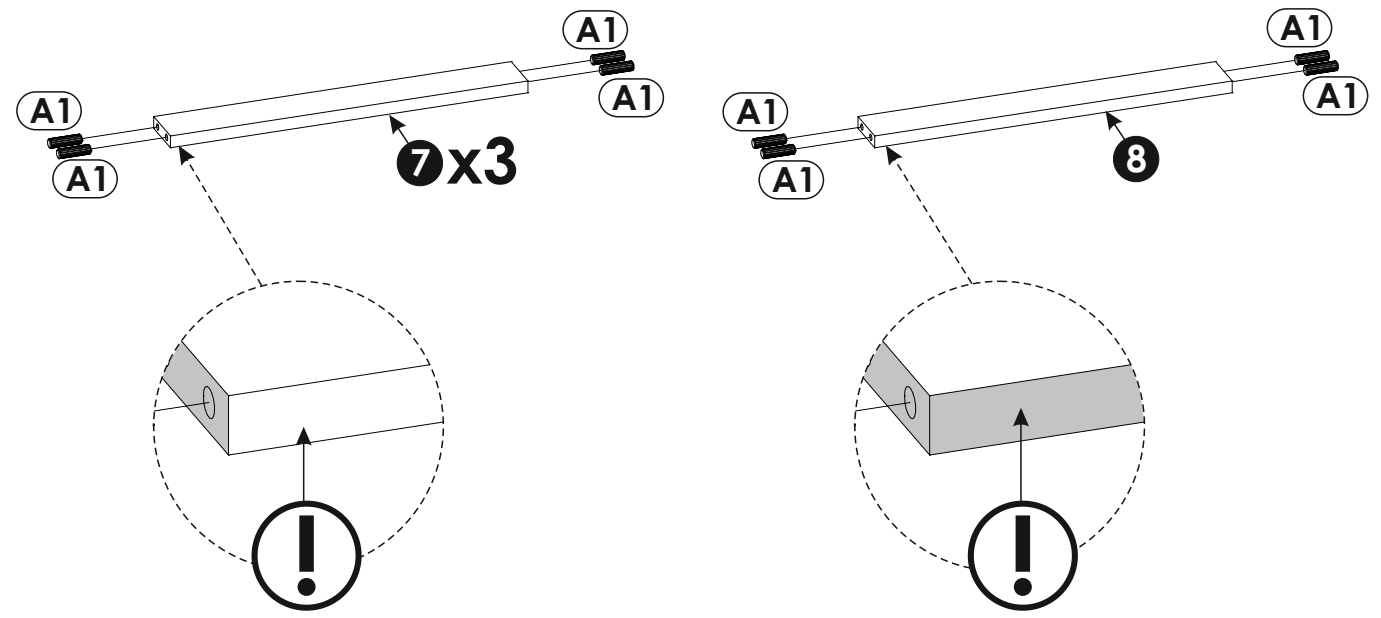
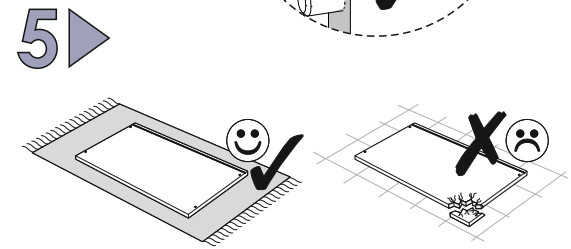
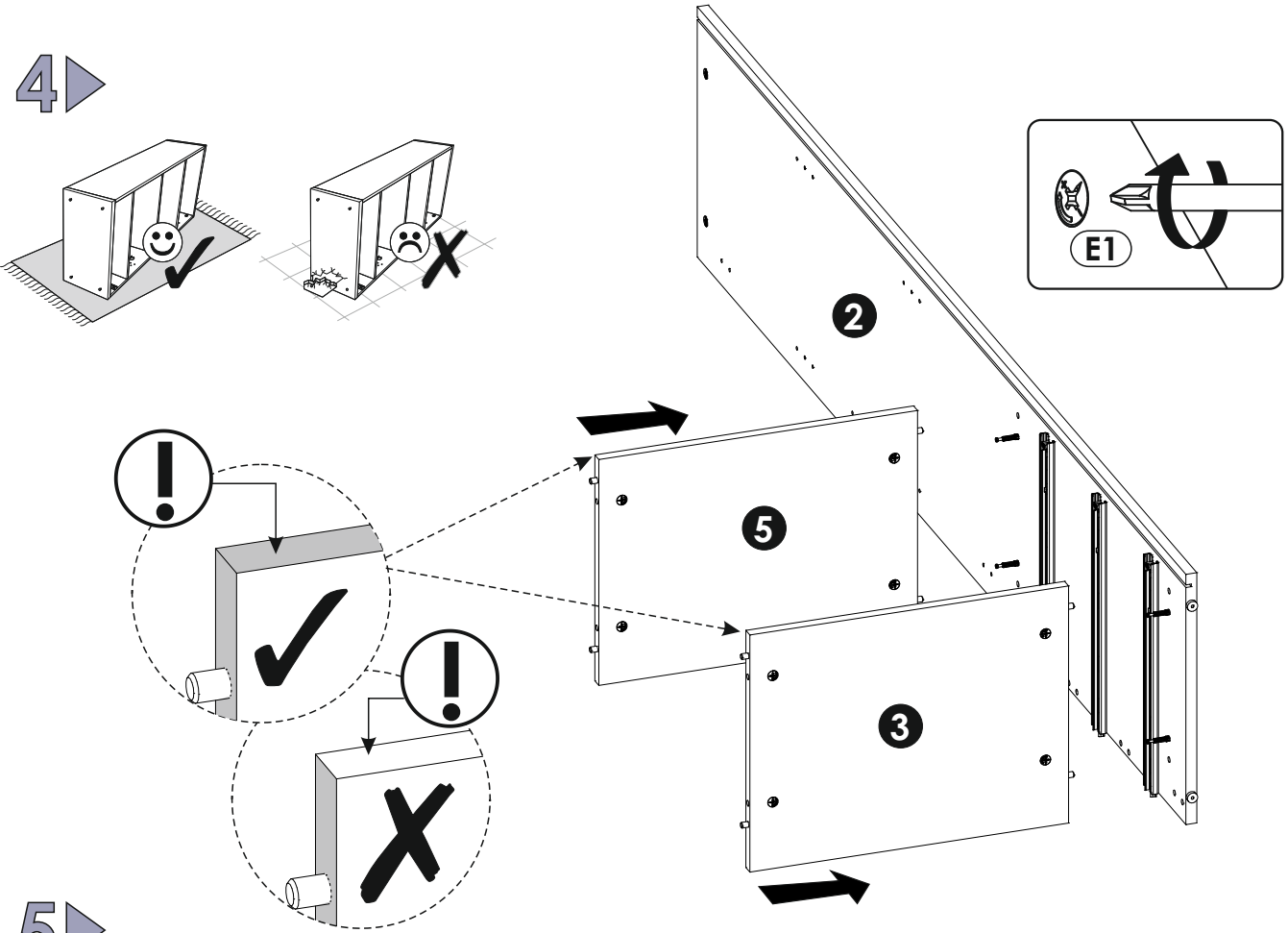
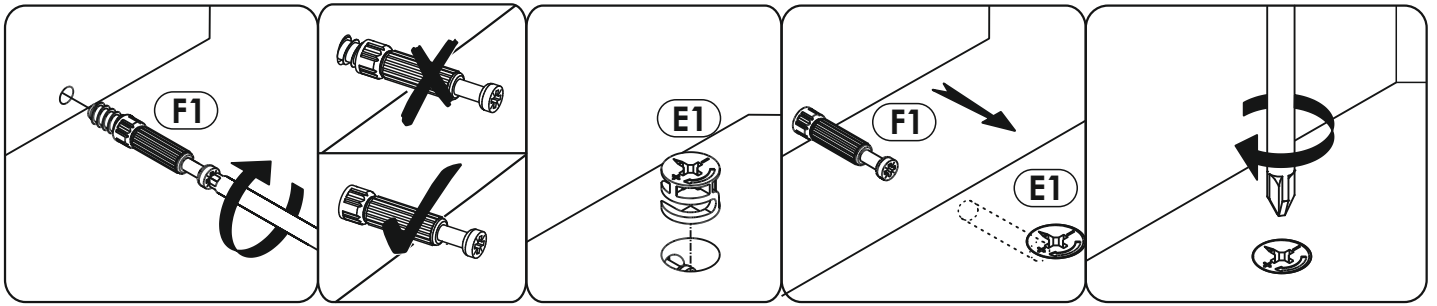


2 ▶

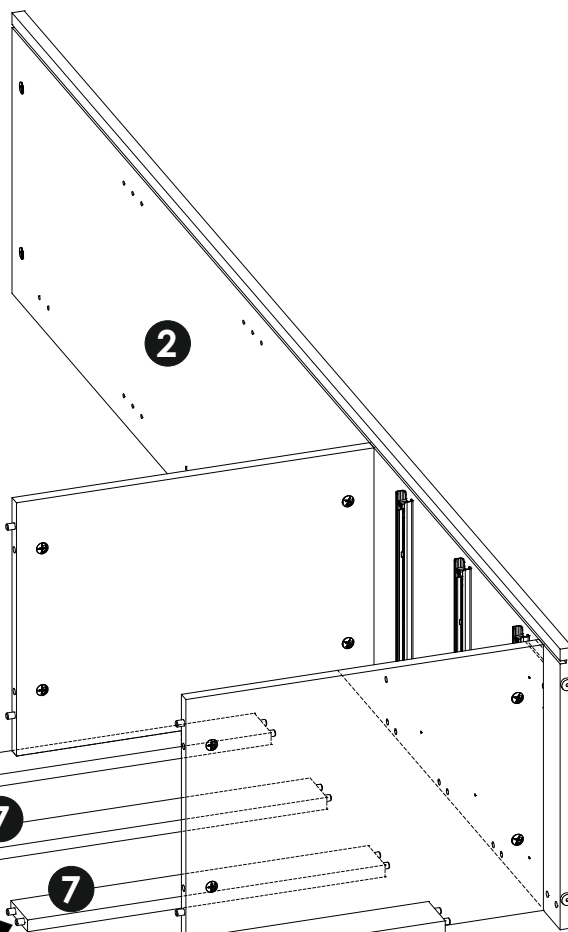
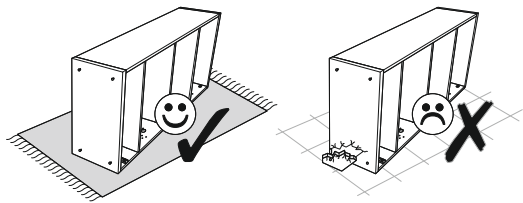


3 ▶

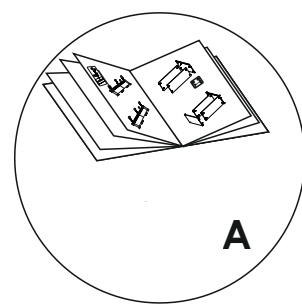
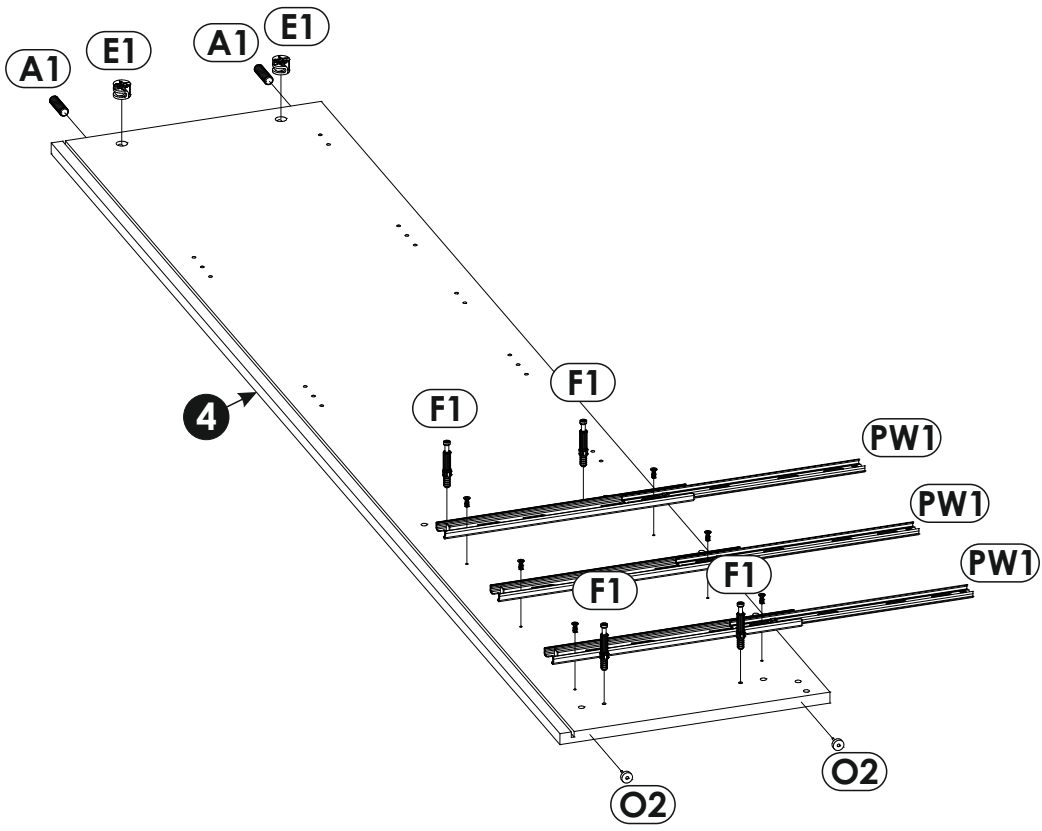
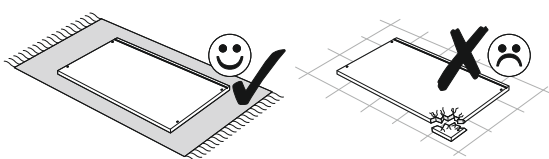




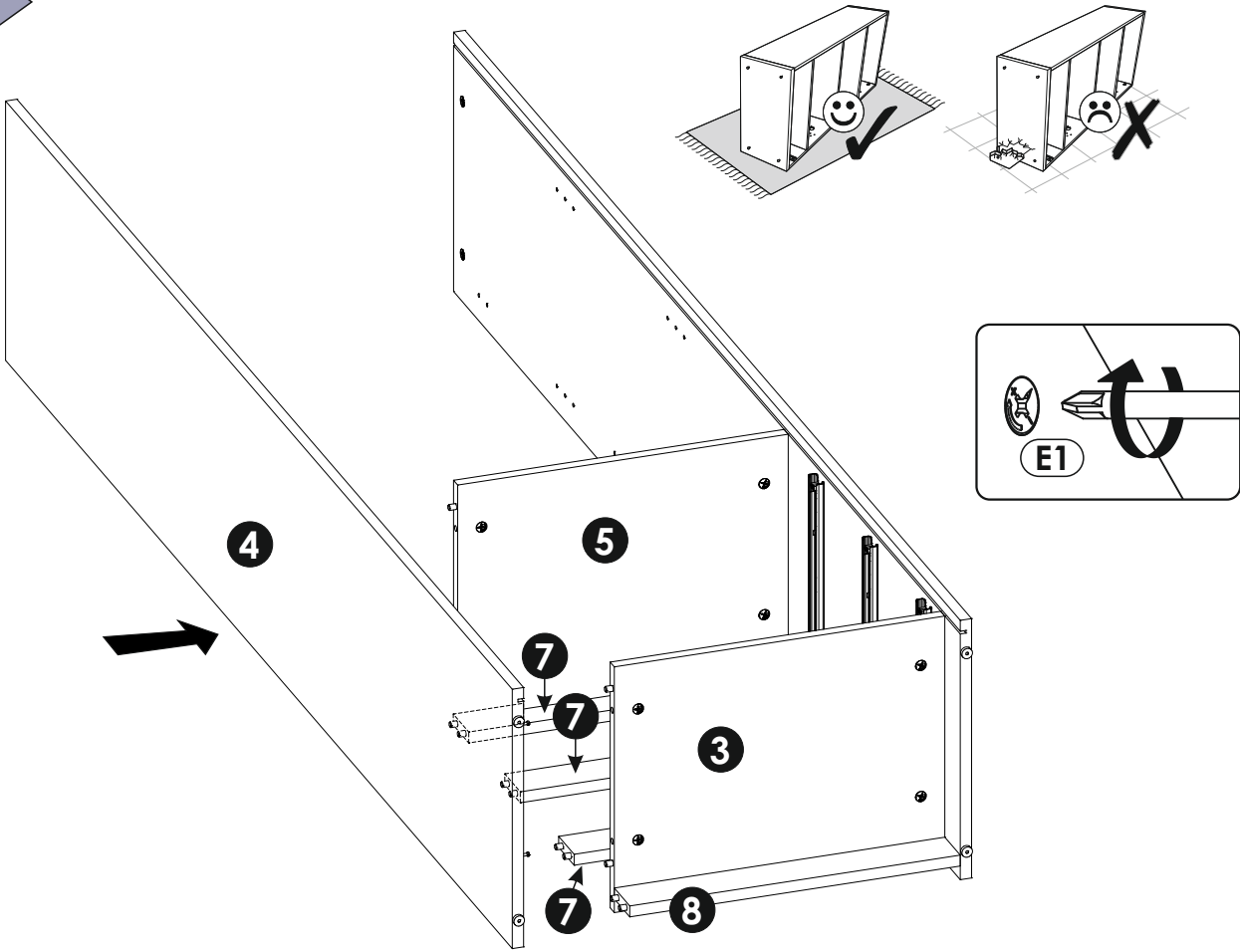
6 ▶



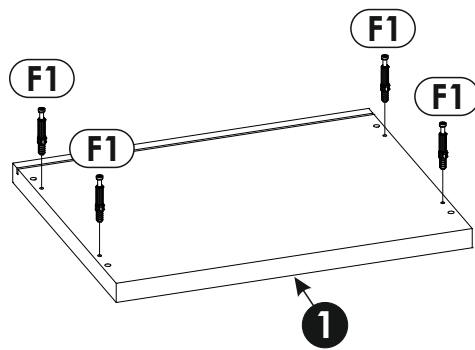
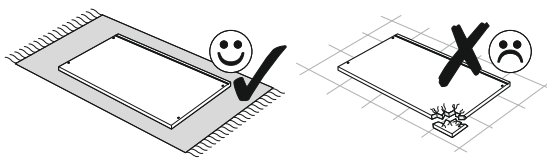
7 ▶



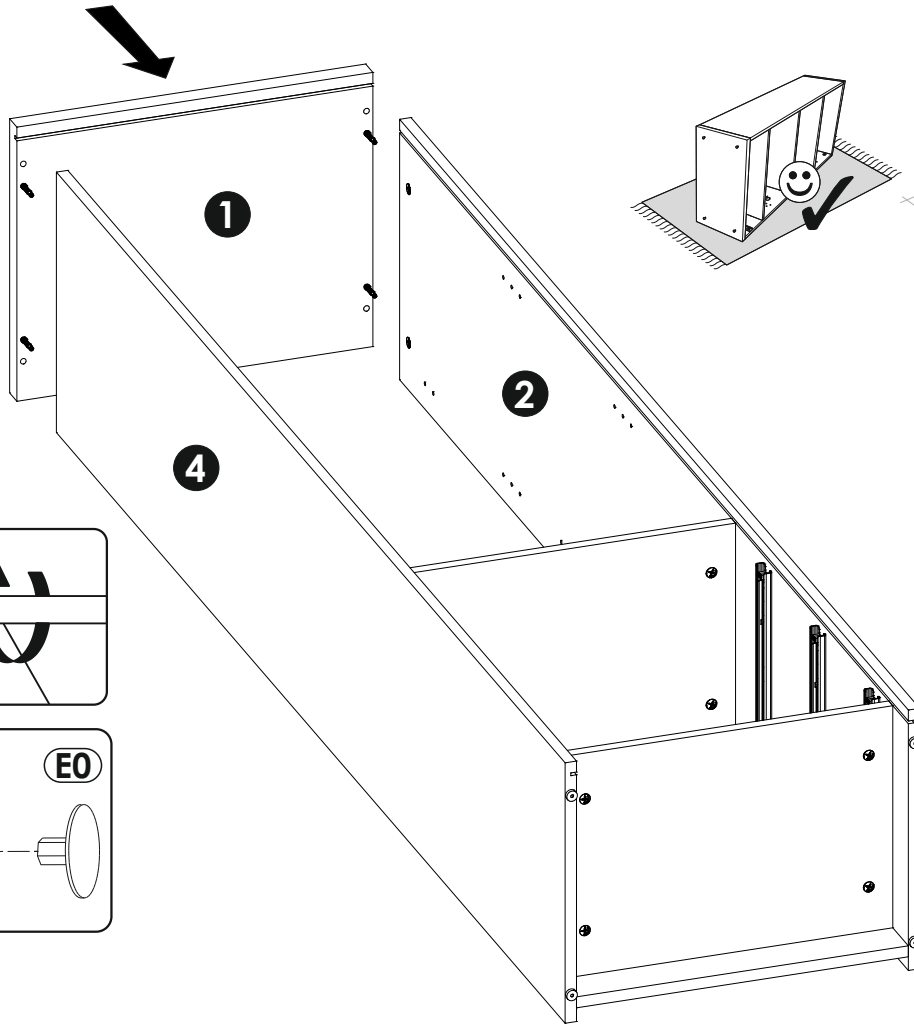
8 ▶



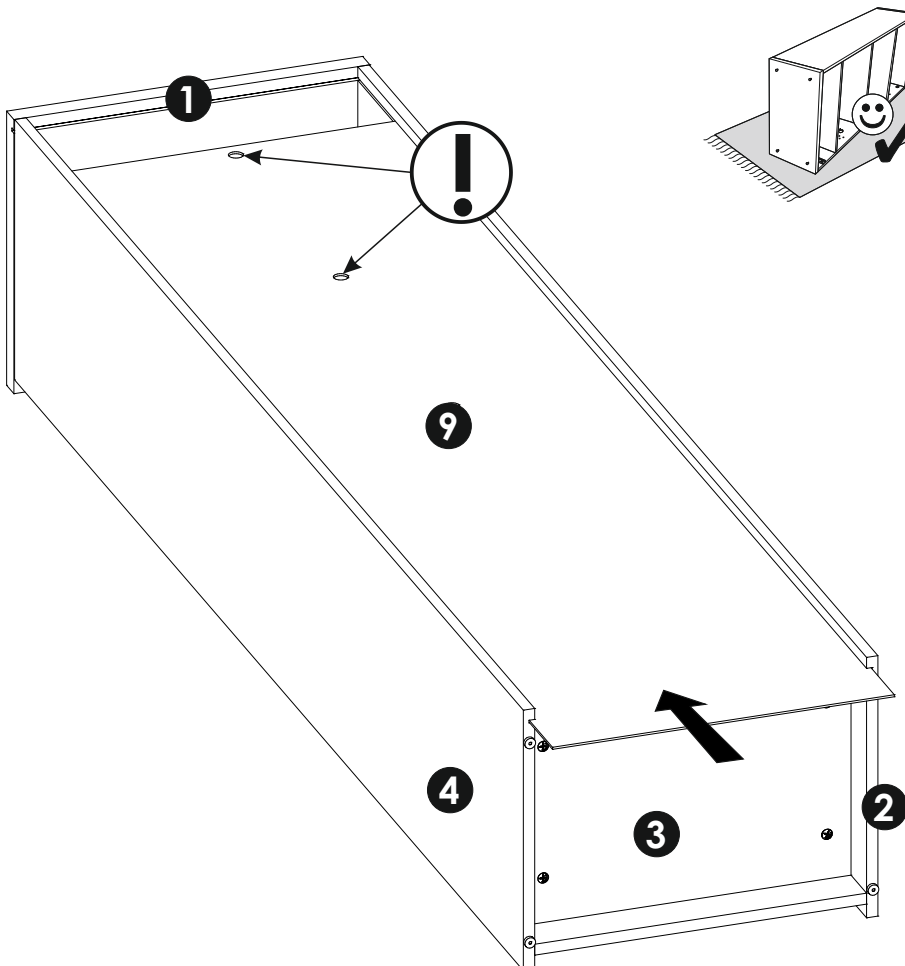
9 ▶



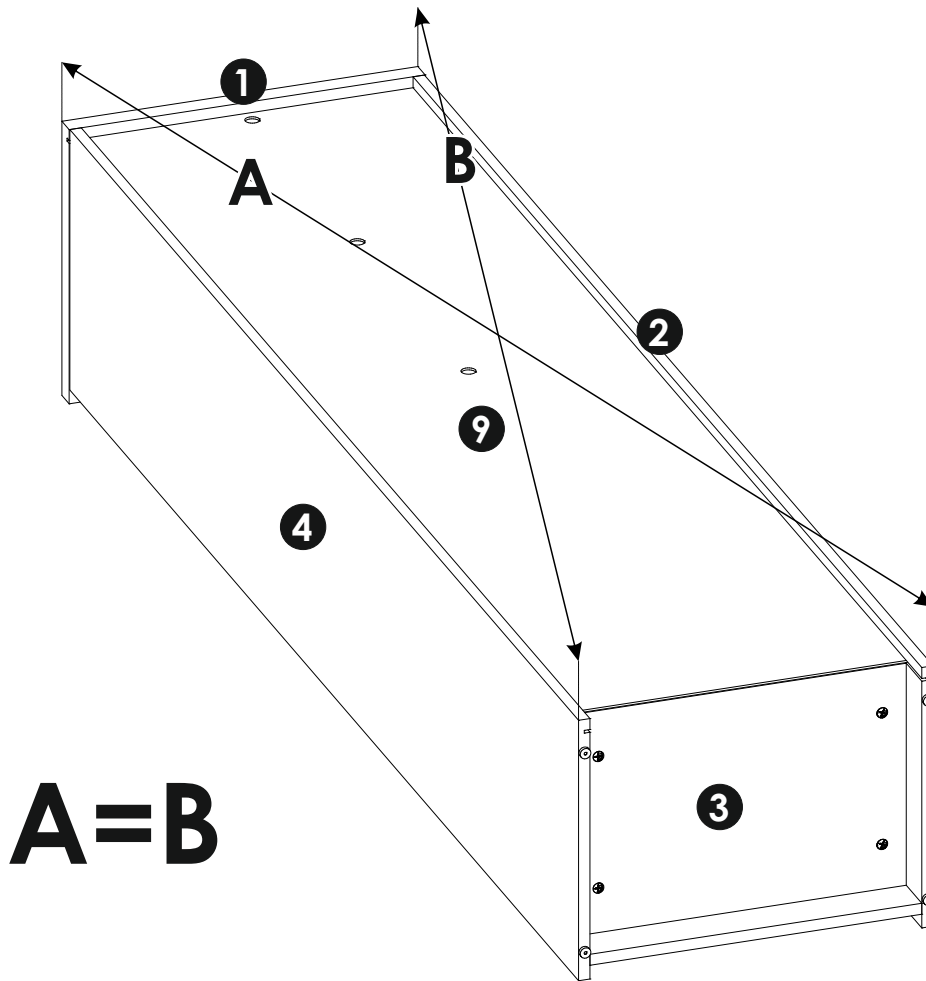
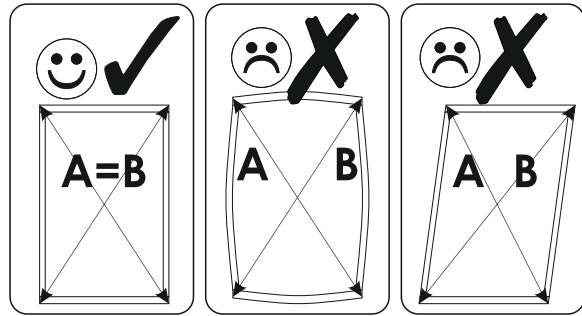
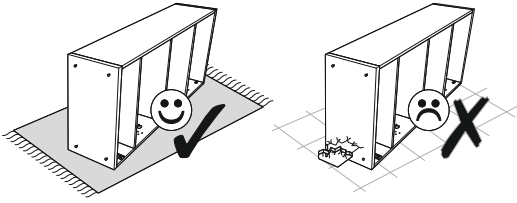
10 ▶

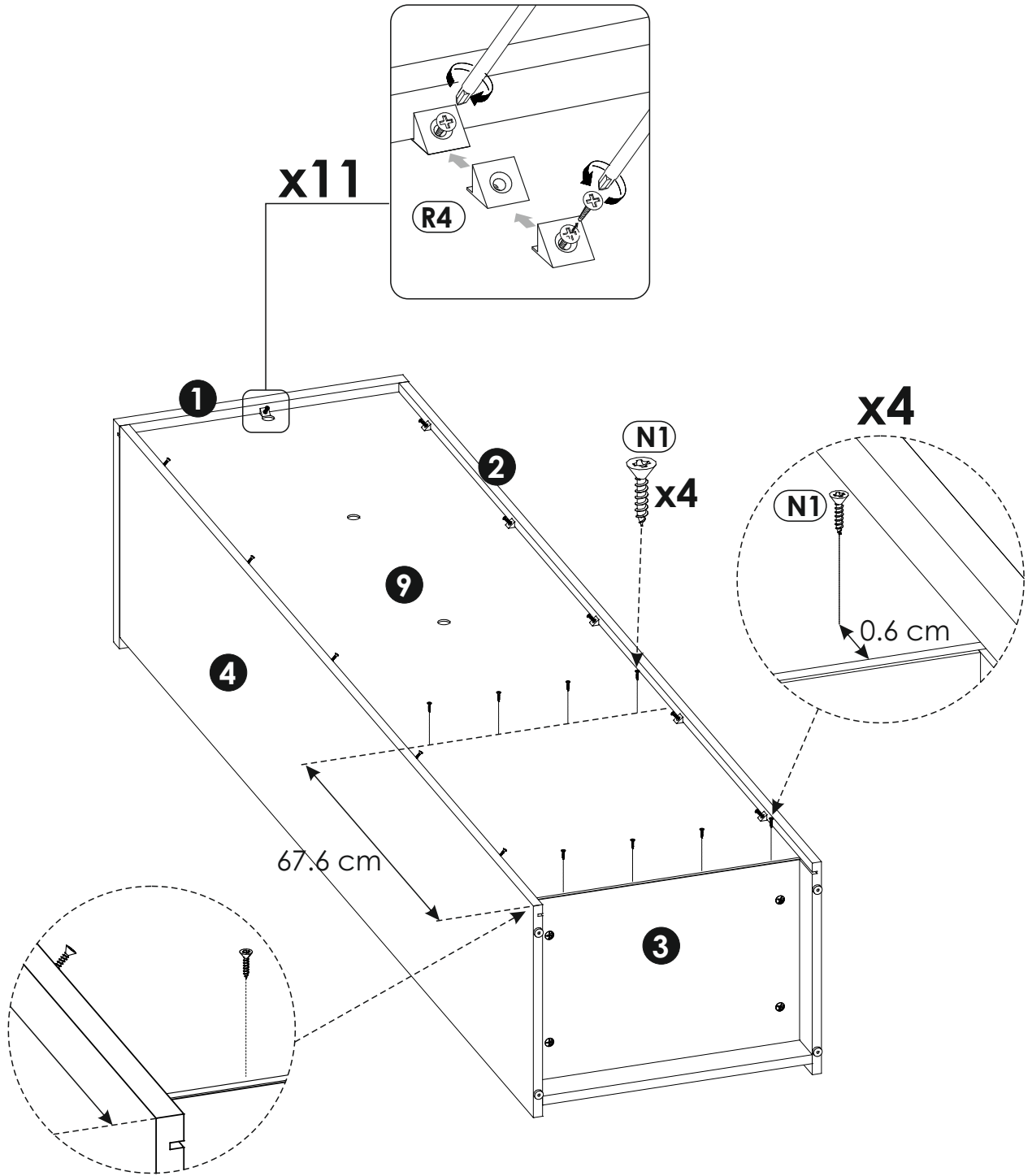


11 ▶

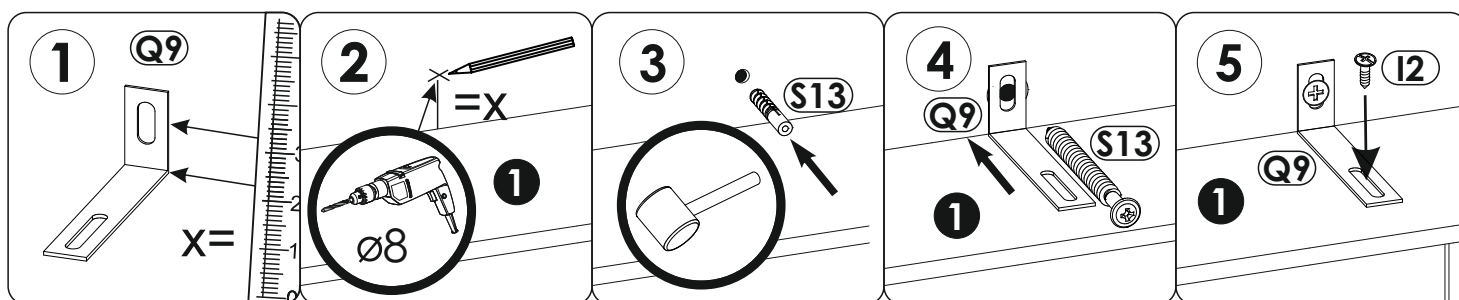
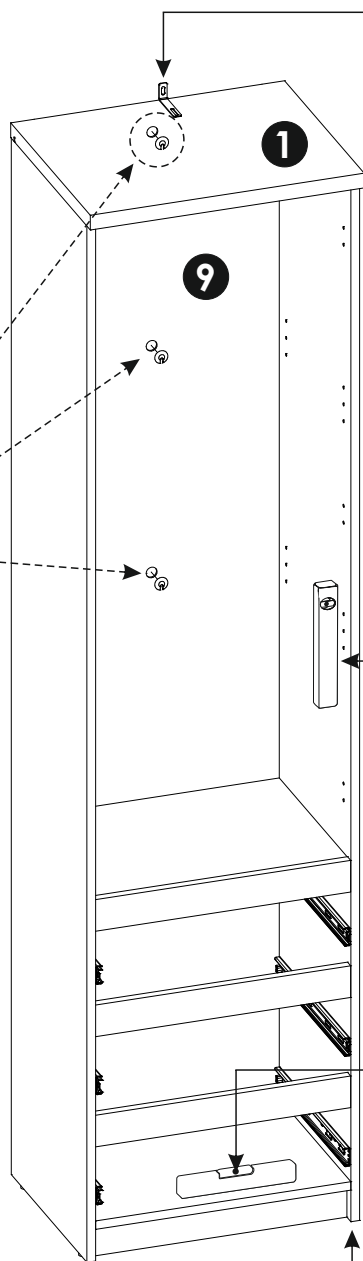
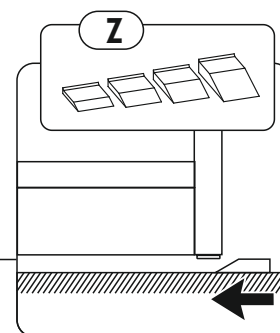
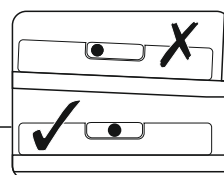
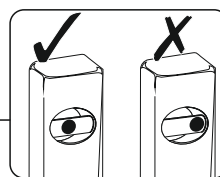
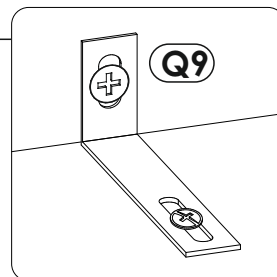
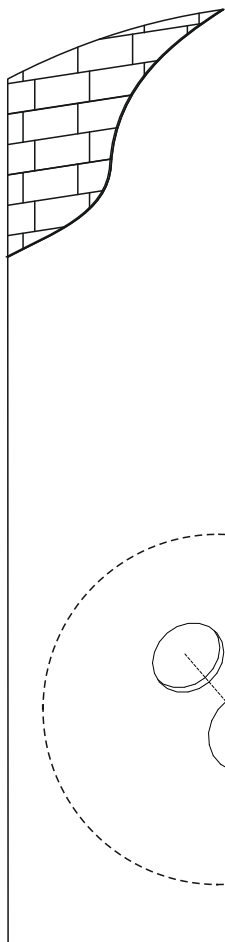
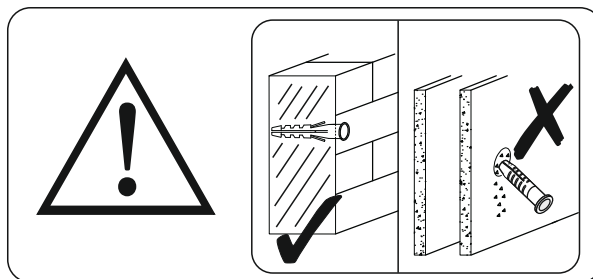


12▶

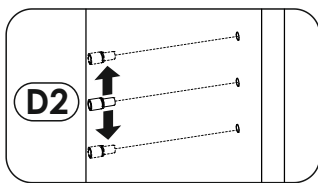
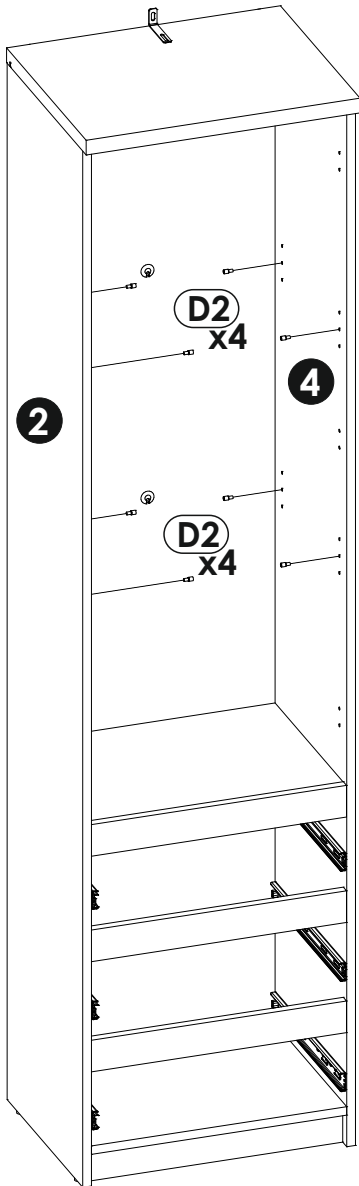




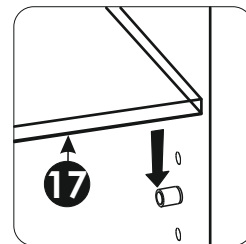
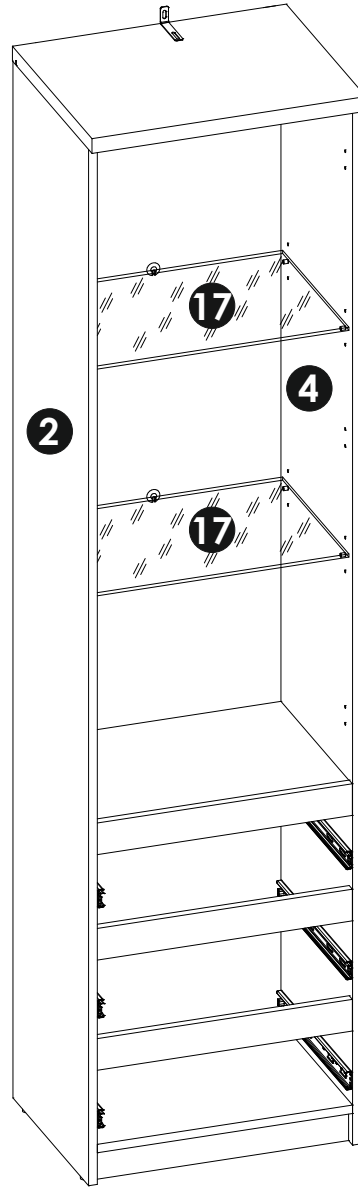
14 ▶



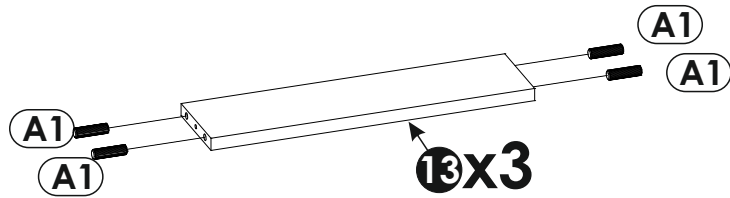
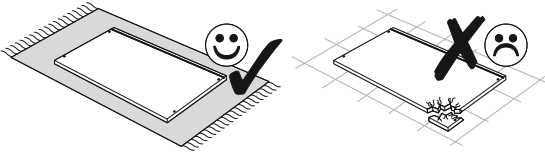
15▶



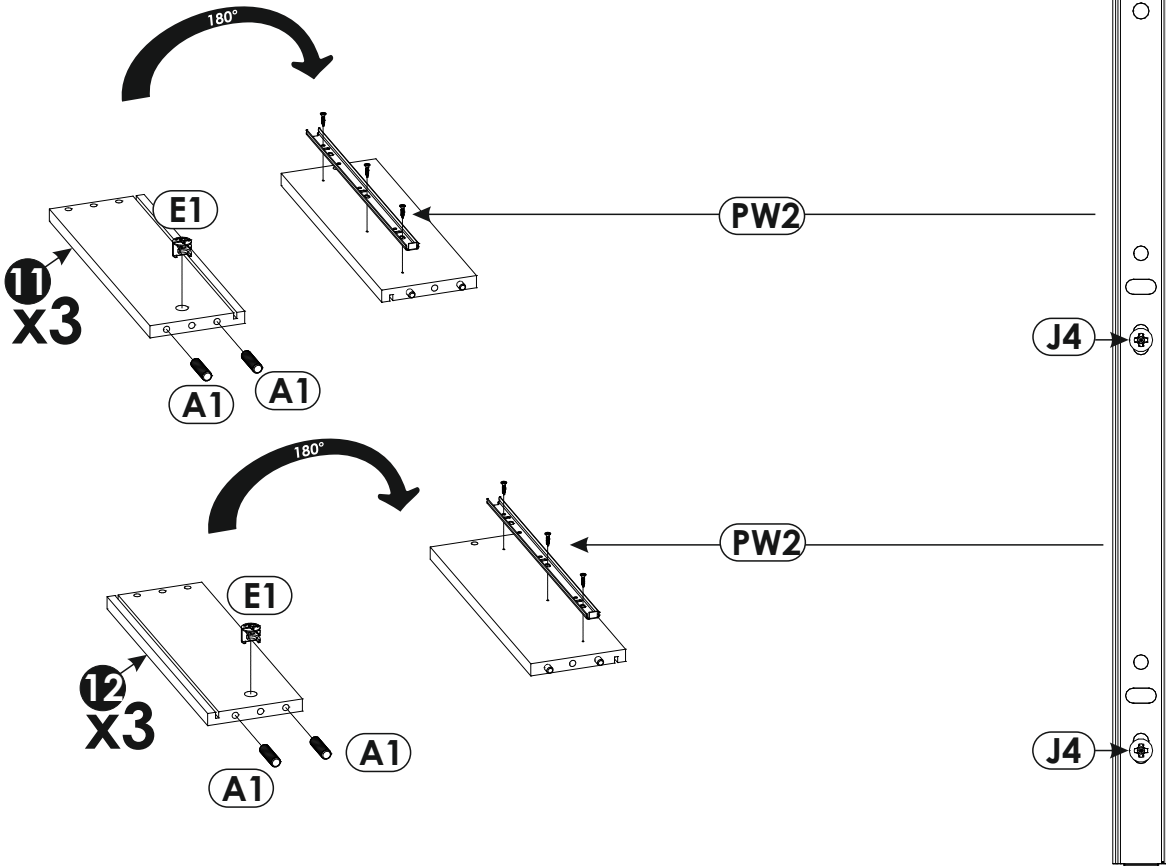
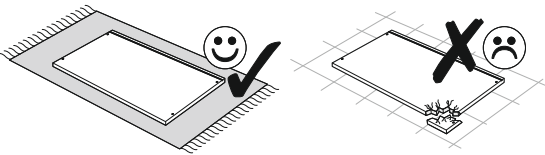
16▶



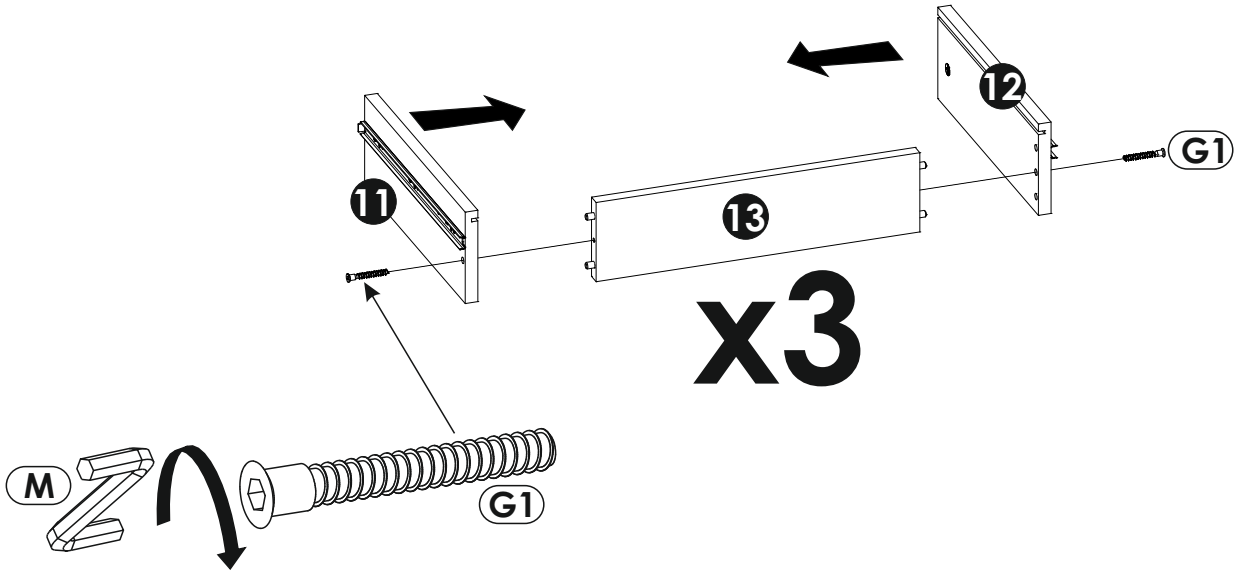
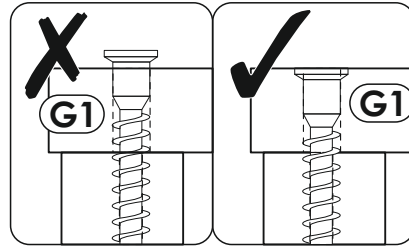
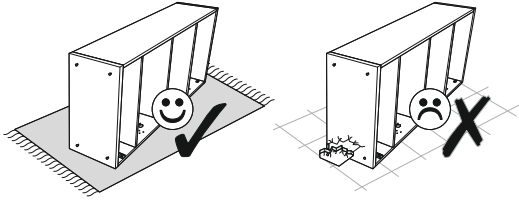
17▶



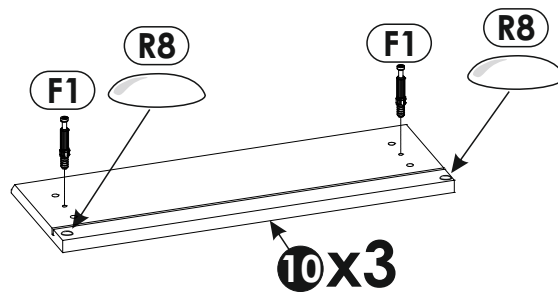
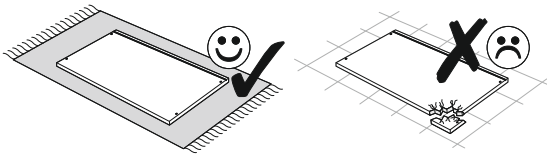
18▶



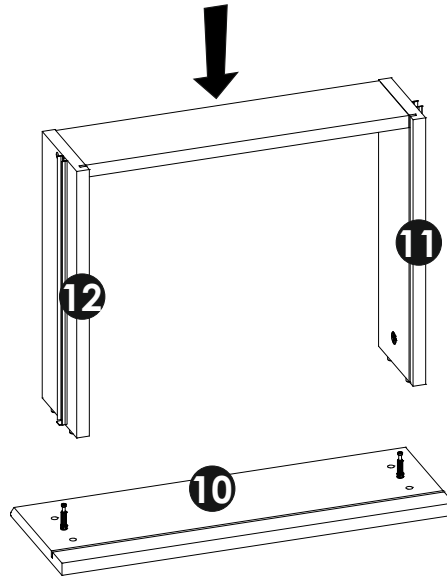
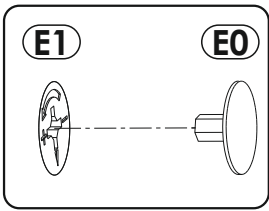
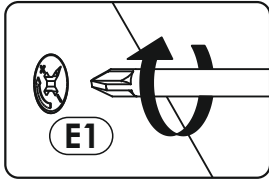
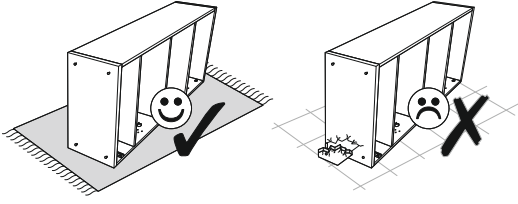
19▶



20▶

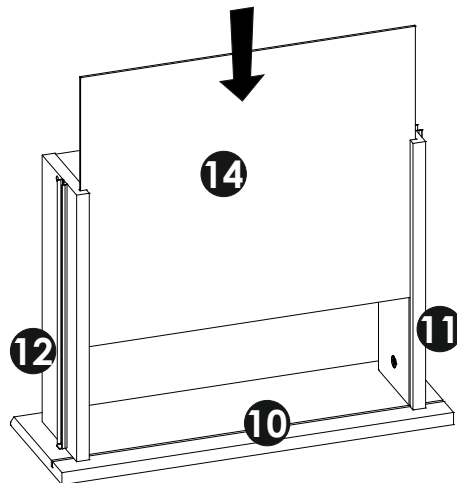
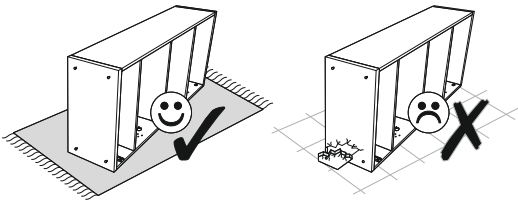


21▶

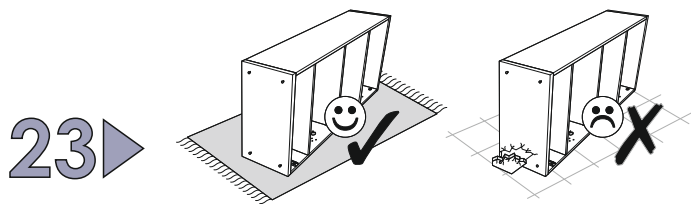


x3

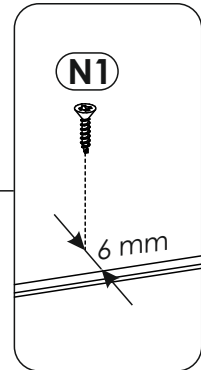
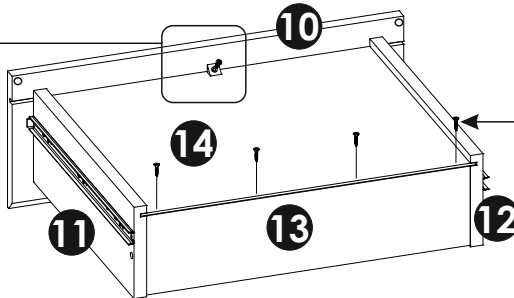
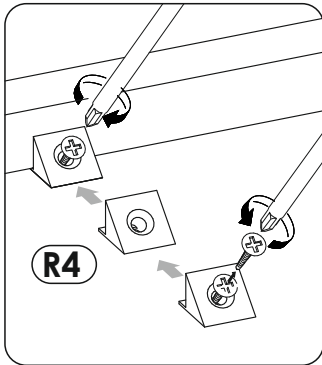
22▶



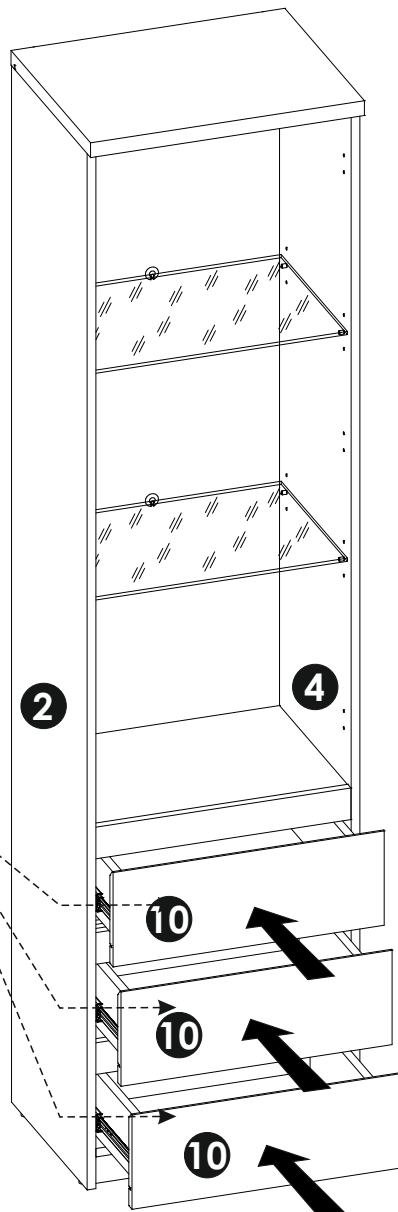
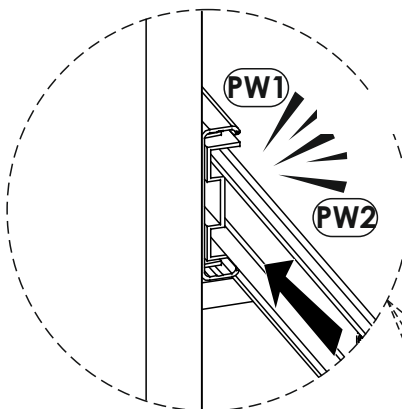
x3



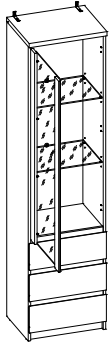
x3



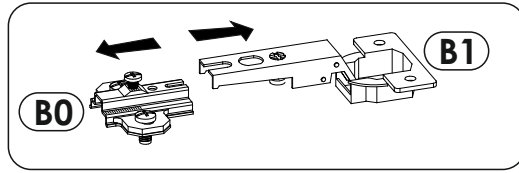
24 ▶



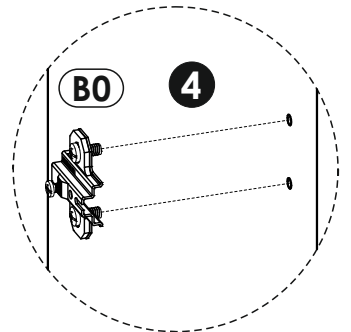
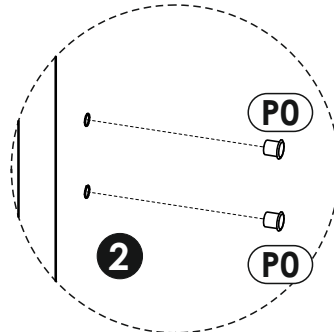
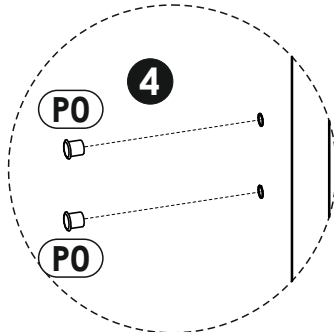
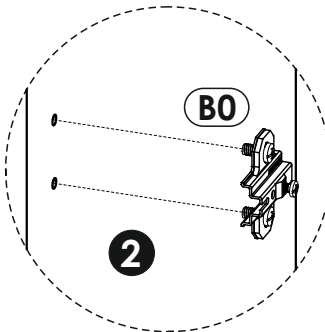
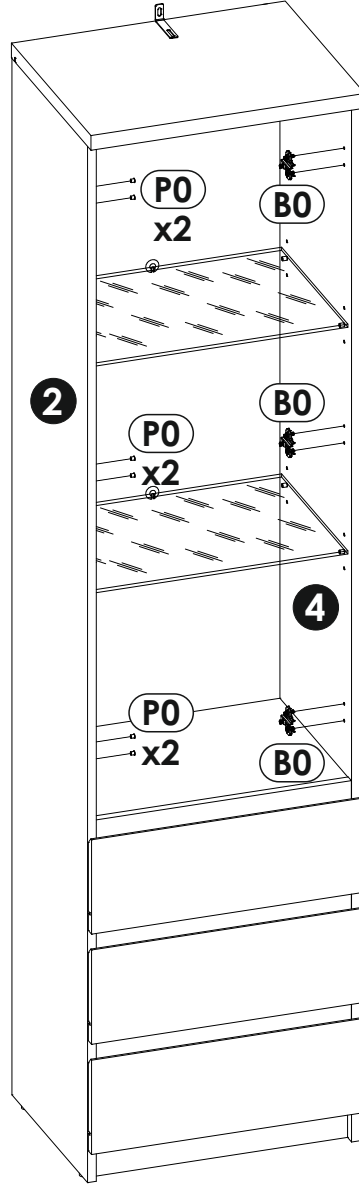
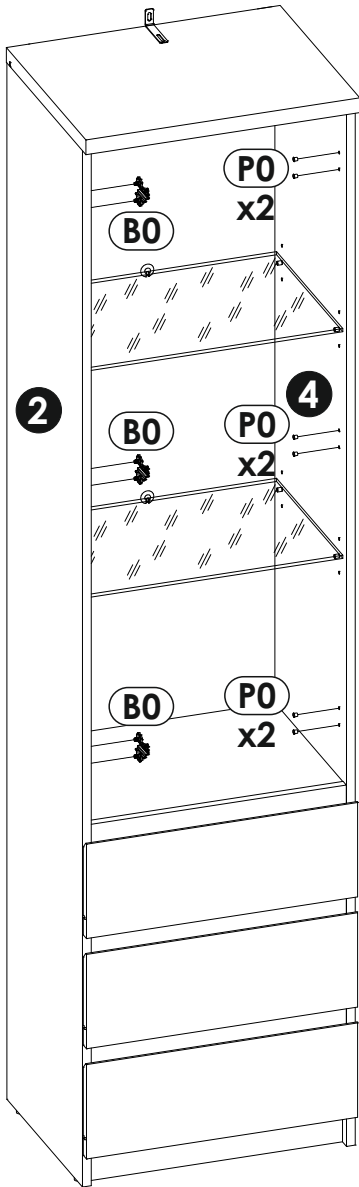
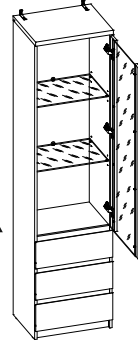
25 ▶



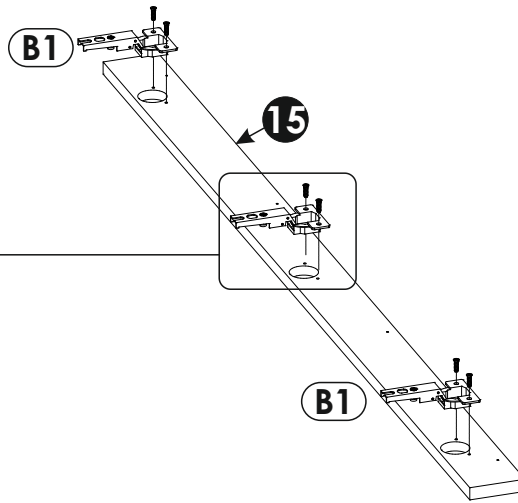
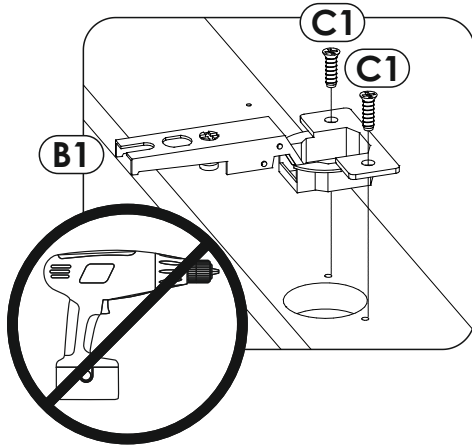
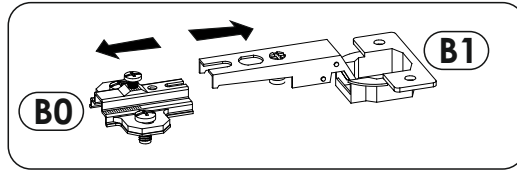
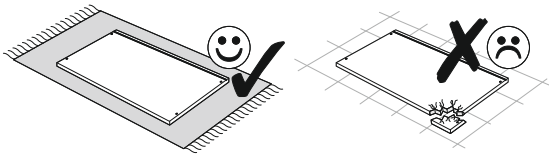
L



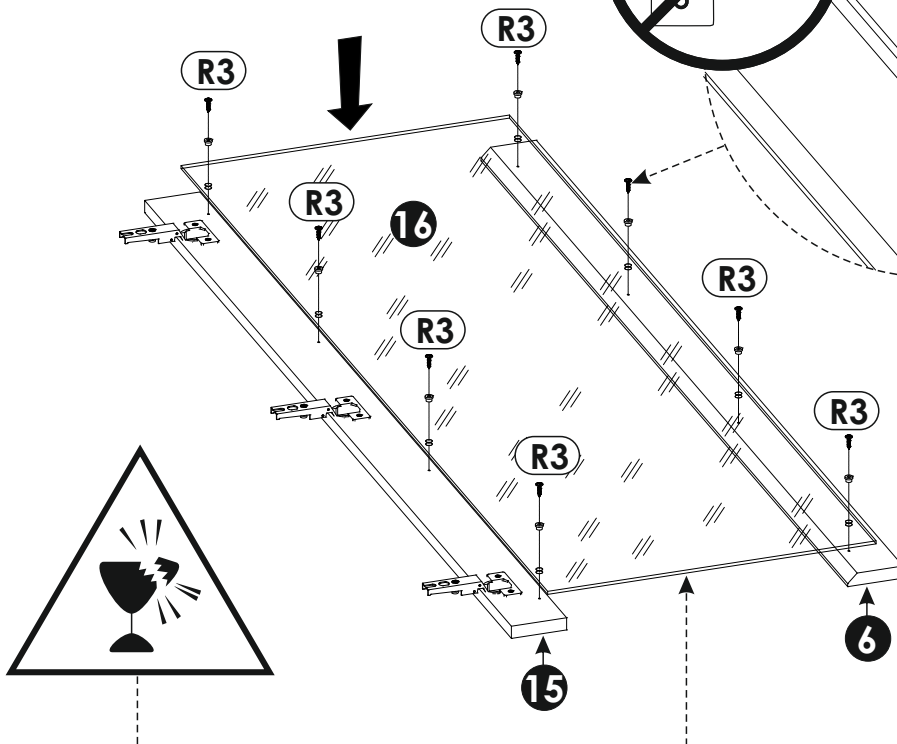
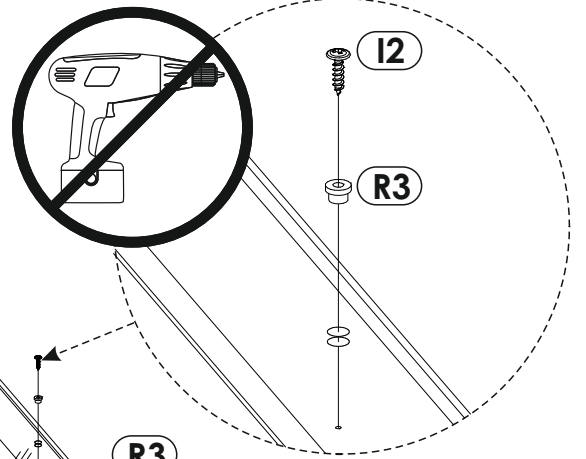
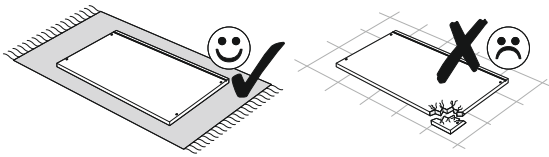
R

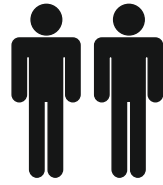
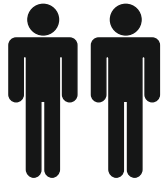


26▶



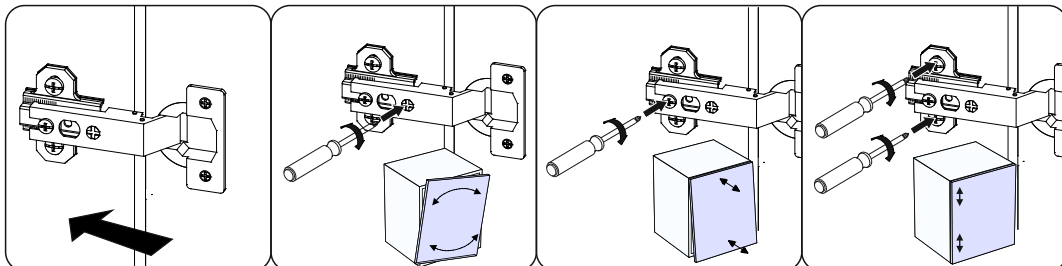
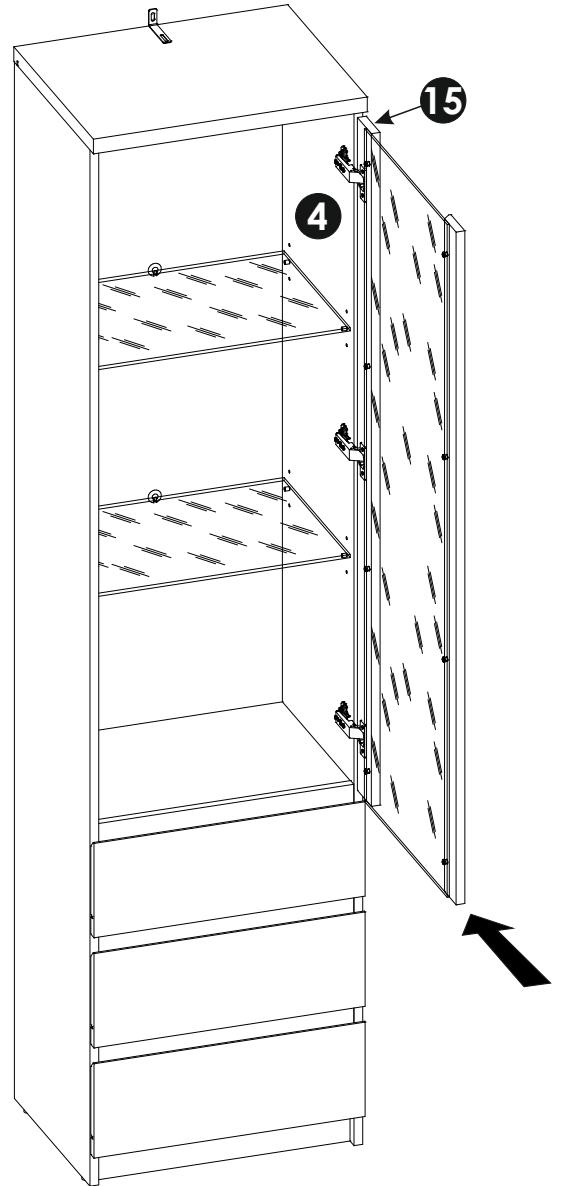
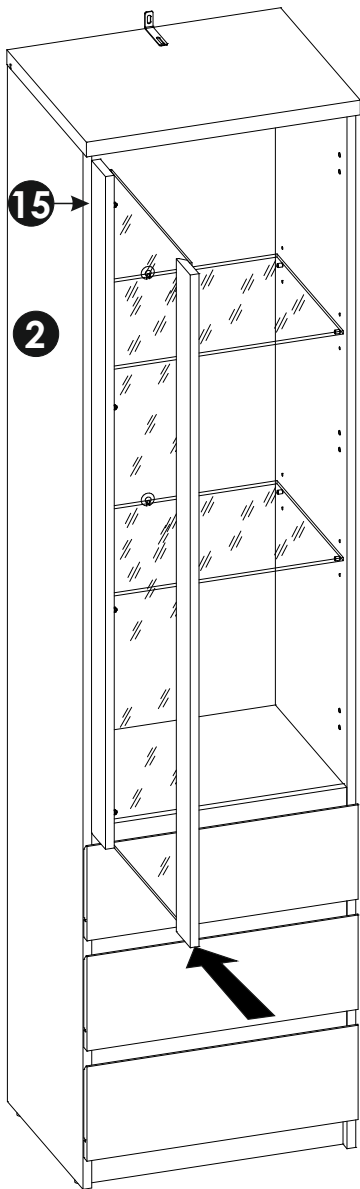
27▶

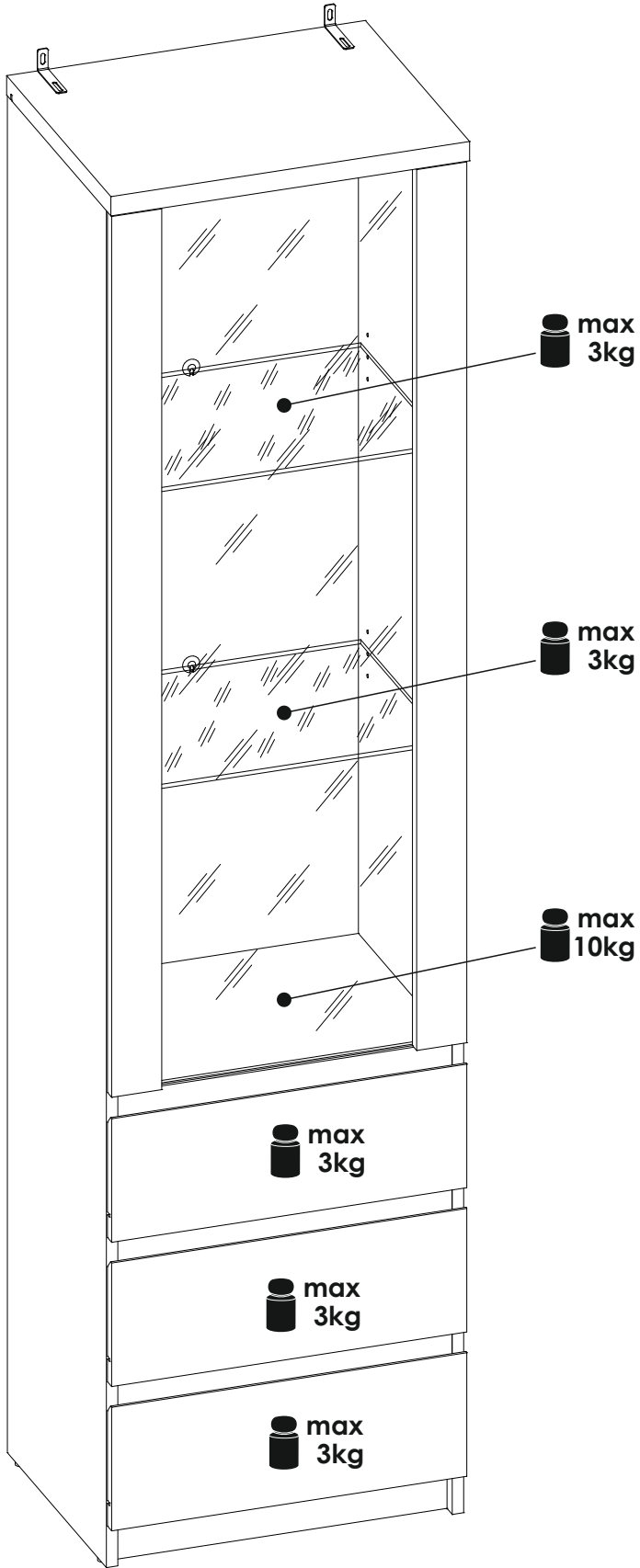


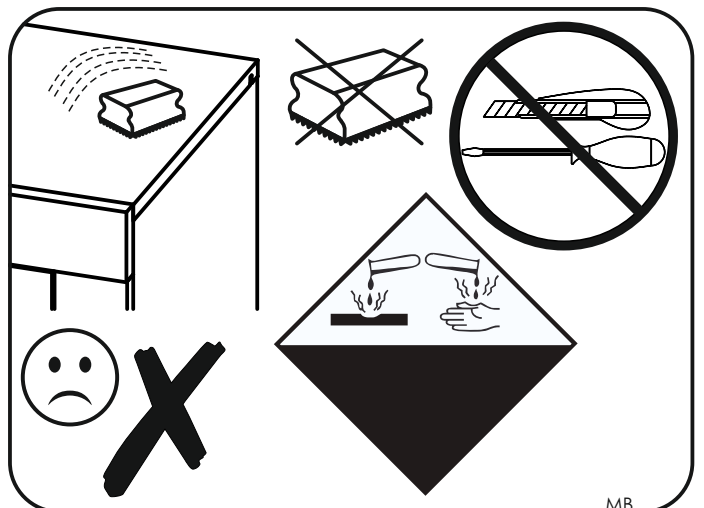
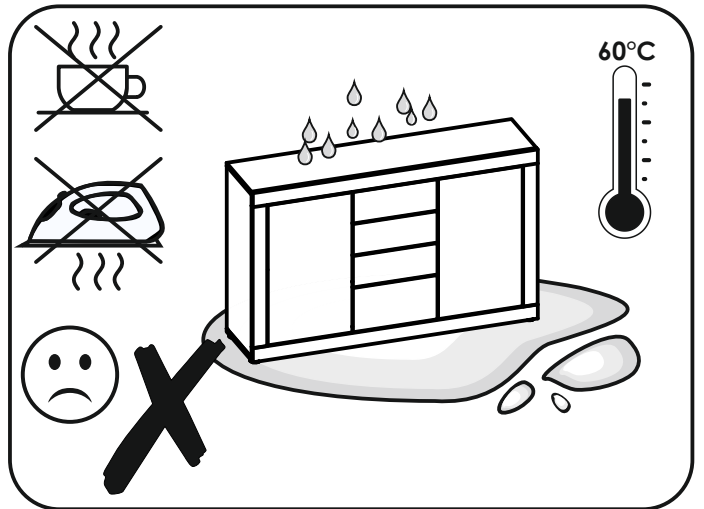
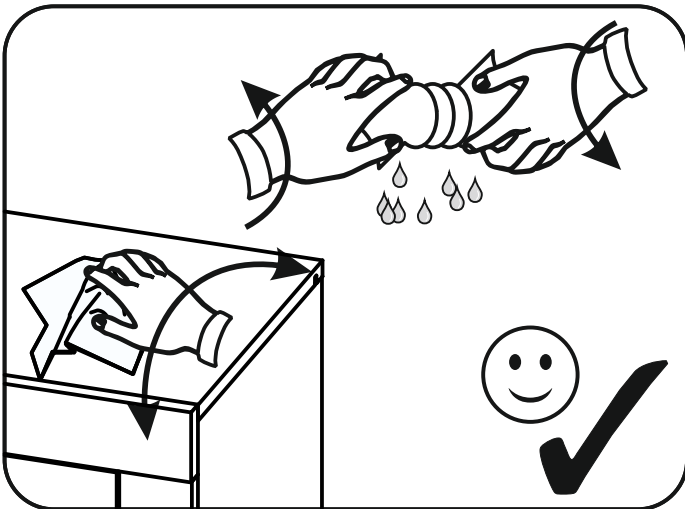


L

R



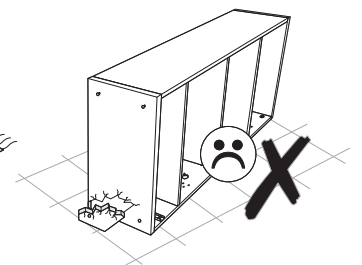
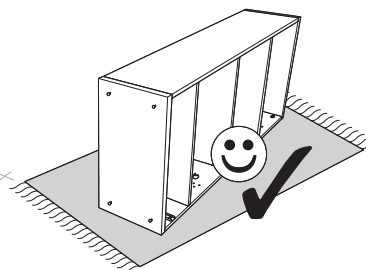
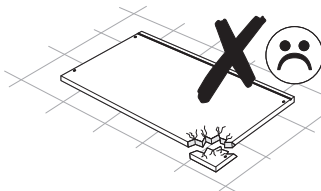
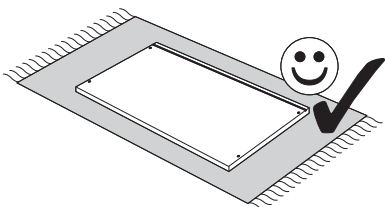
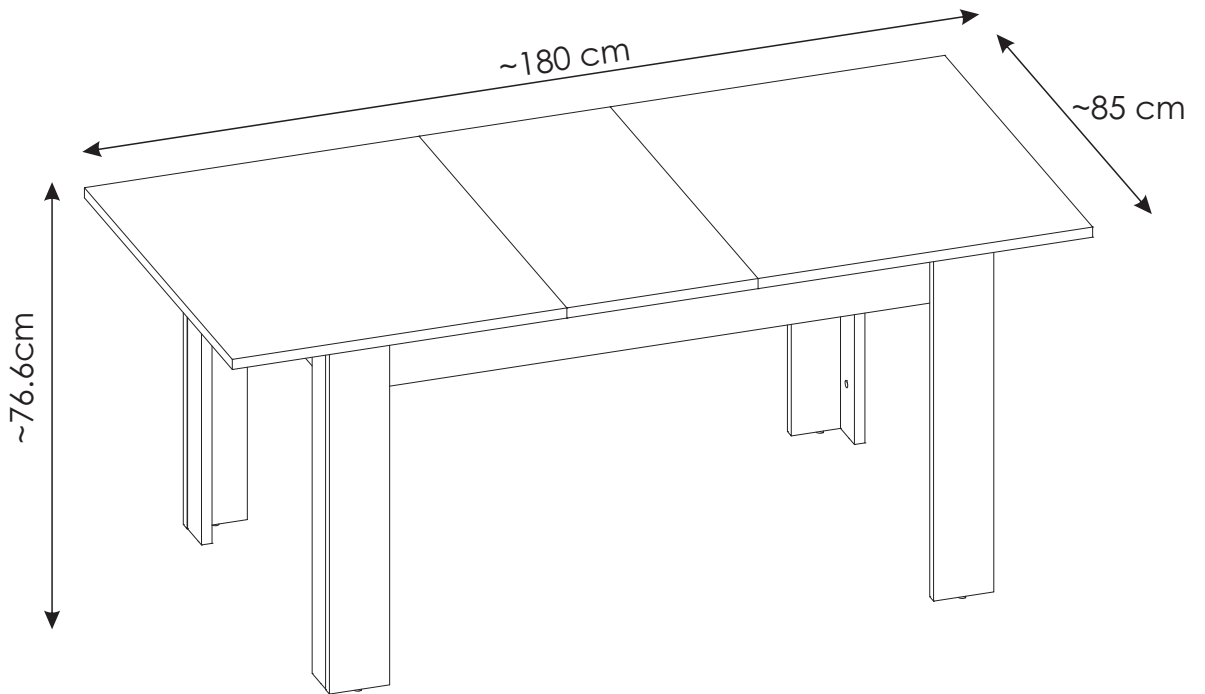
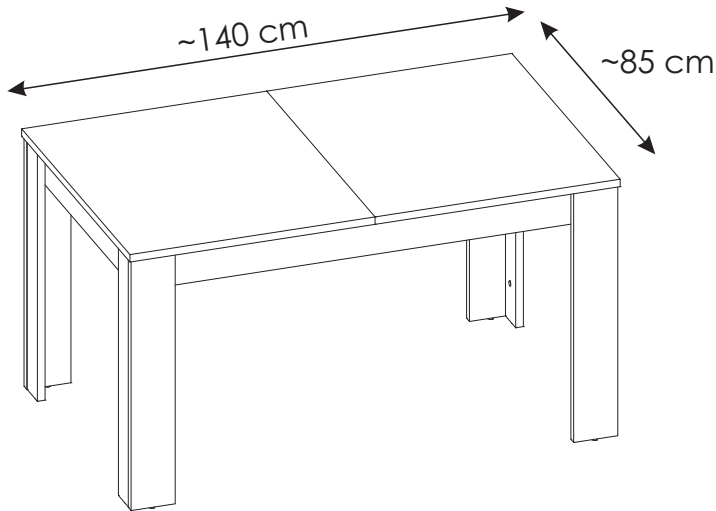
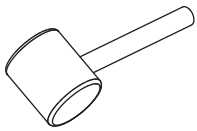
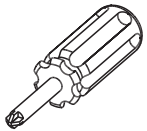
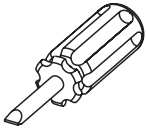


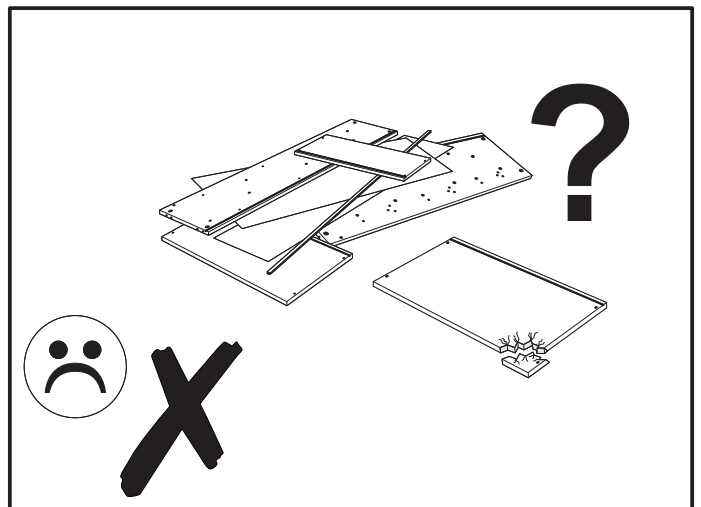
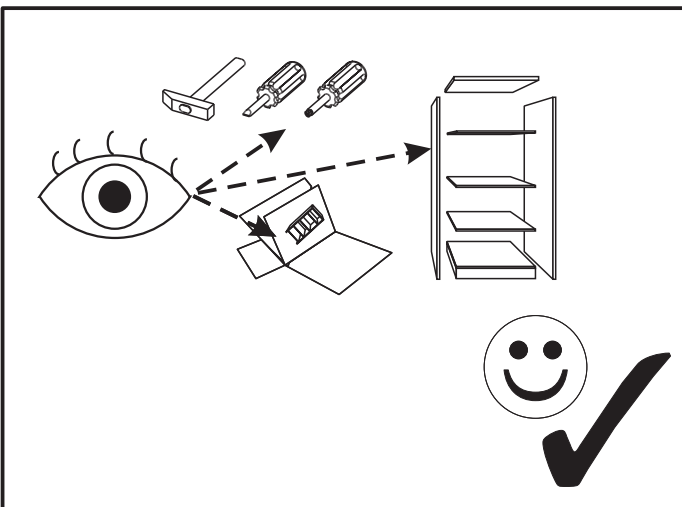
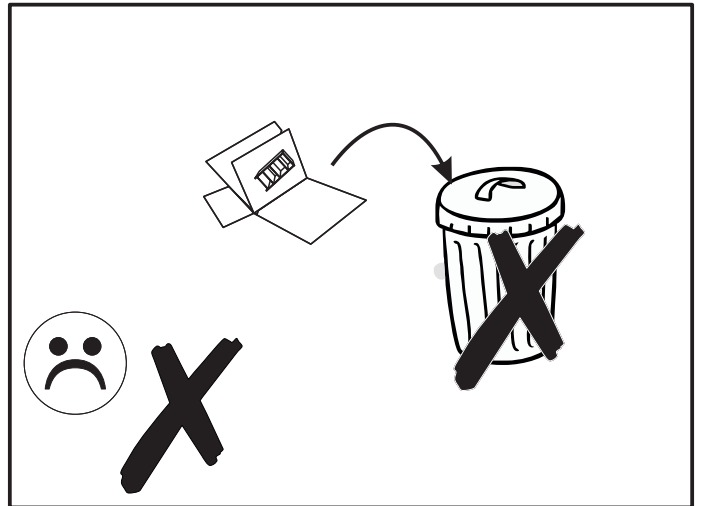
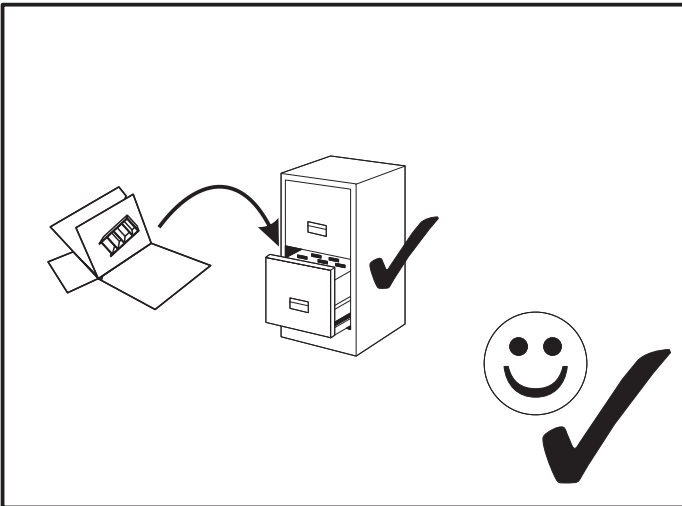
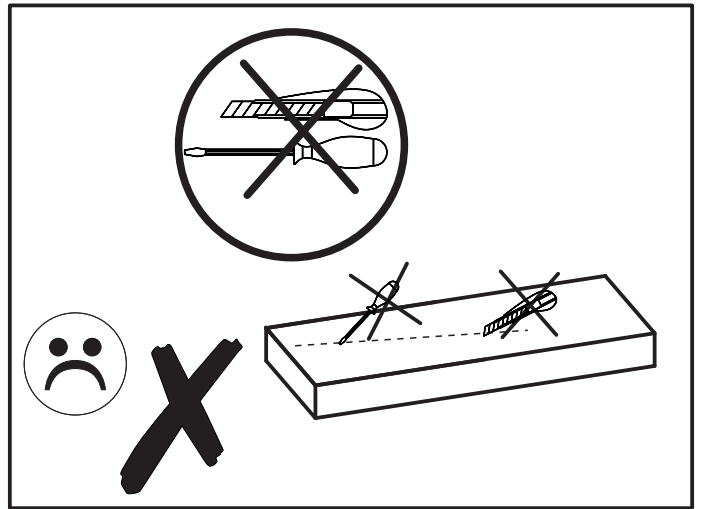
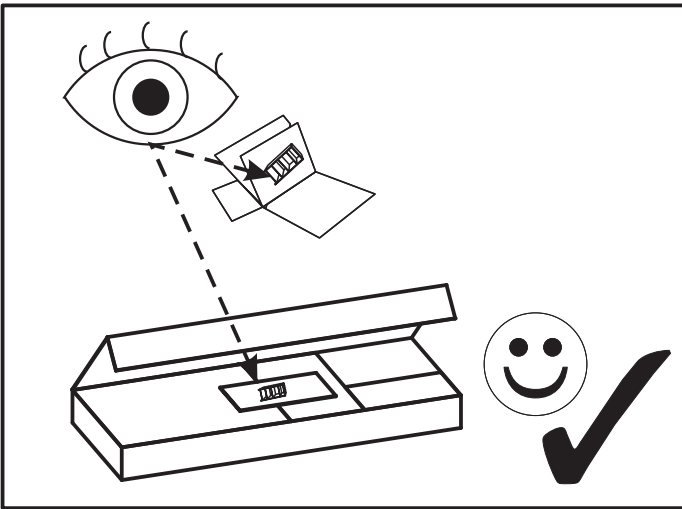


FRIT03







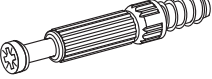


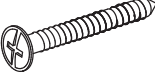
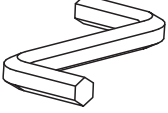
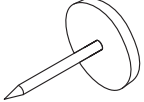

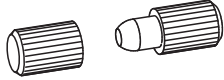
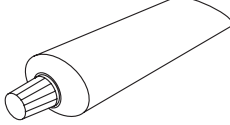
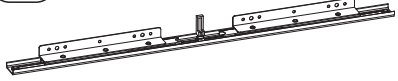
60 MIN

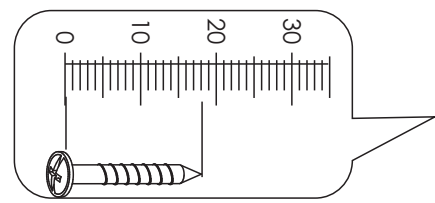
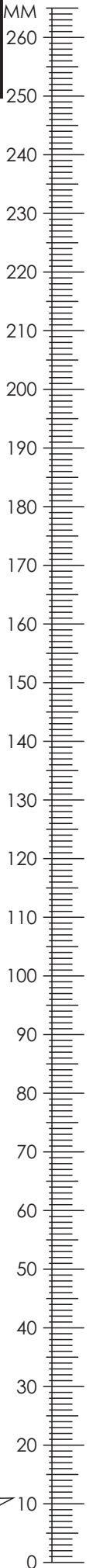




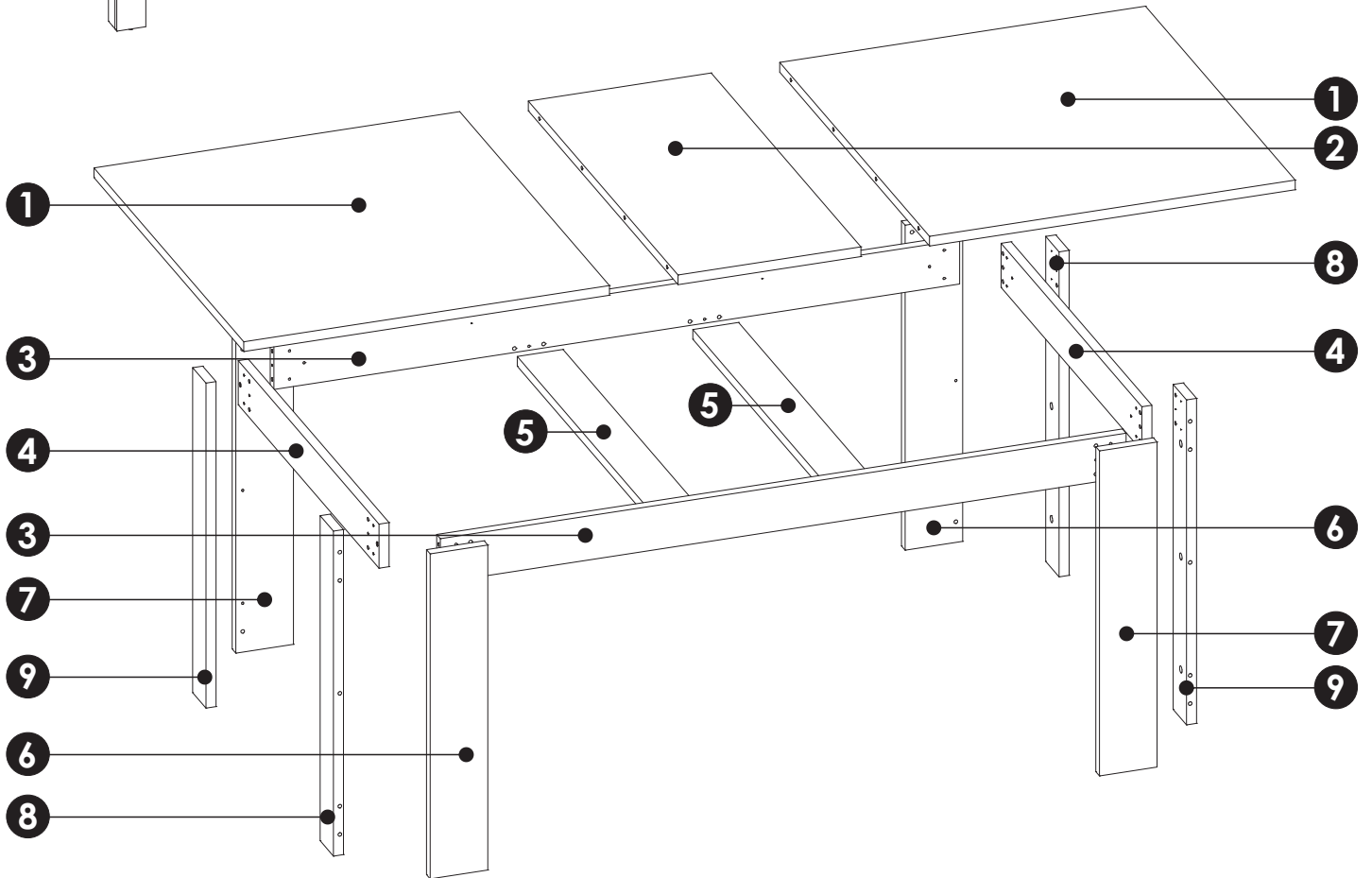
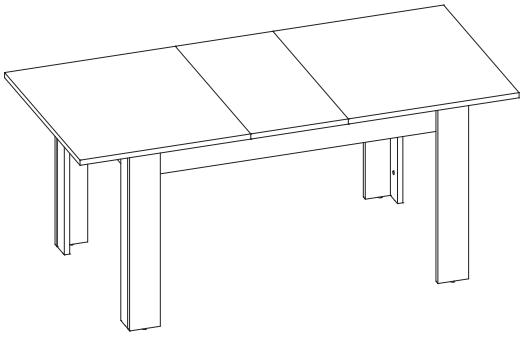
FRIT03

MM

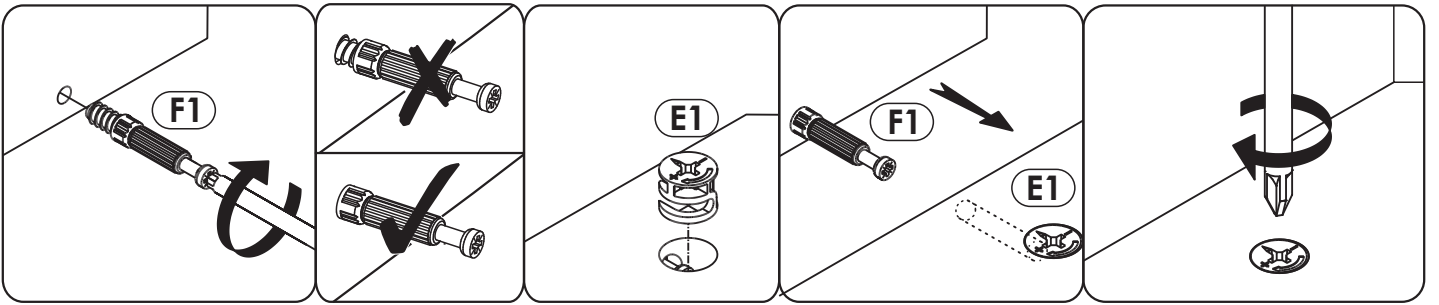
<p>A0 8 x 24 mm x16</p> 	<p>A1 8 x 35 mm x24</p> 	<p>E0 Ø16 x16</p> 
<p>E1 15 x 12 mm x16</p> 	<p>F1 6 x 34 mm x16</p> 	<p>G2 7 x 60 mm x4</p> 
<p>I8 4 x 20 mm x40</p> 	<p>I14 4 x 40 mm x24</p> 	<p>M x1</p> 
<p>O2 x8</p> 	<p>O2A ø20 x8</p> 	<p>R8 x8</p> 
<p>S x1</p> 	<p>T12 L - 700 mm x2</p> 	



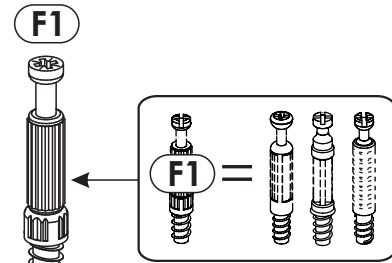
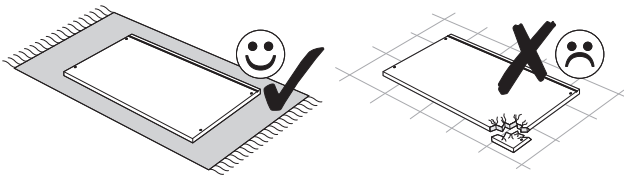
FRIT03



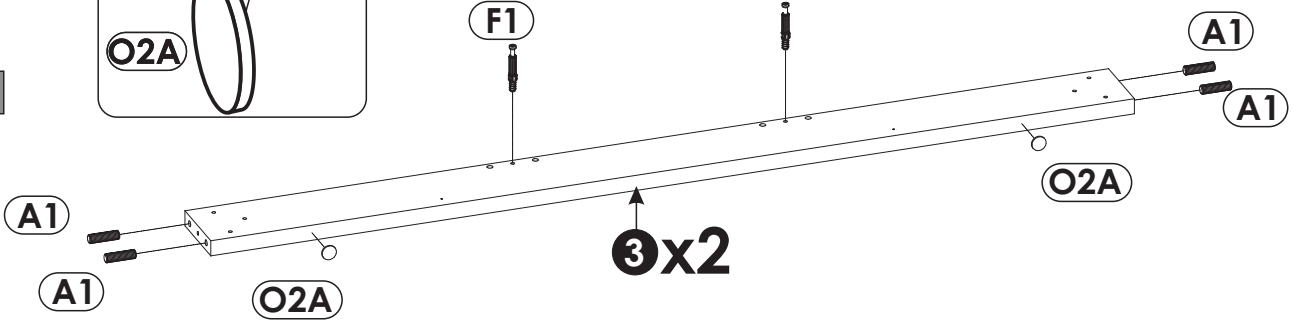
1	850	700	22	x2	2/2
2	850	400	22	x1	2/2
3	1300	100	22	x2	1/2
4	796	100	22	x2	1/2
5	752	100	22	x2	2/2
6	737	126	22	x2	1/2
7	737	126	22	x2	1/2
8	737	80	22	x2	1/2
9	737	80	22	x2	1/2



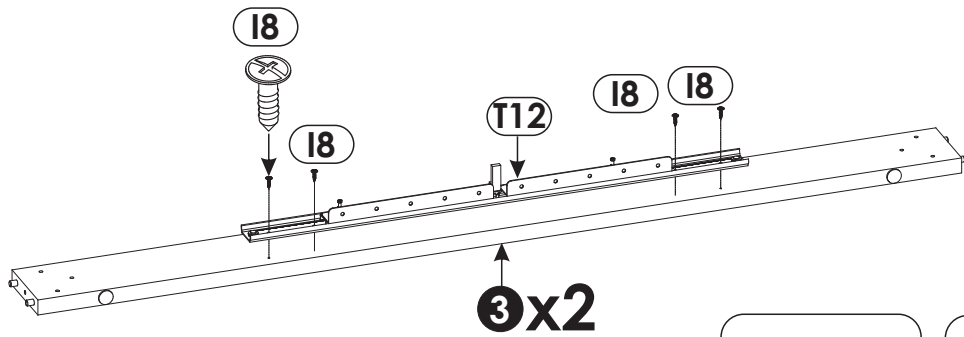
1 ▶



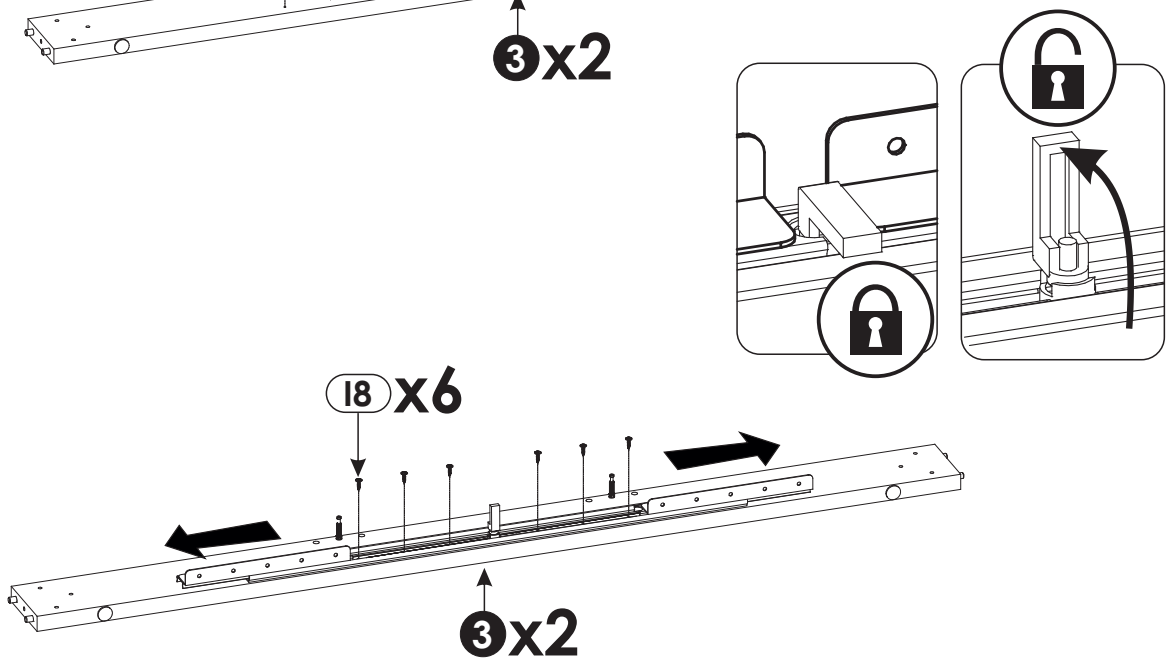
a



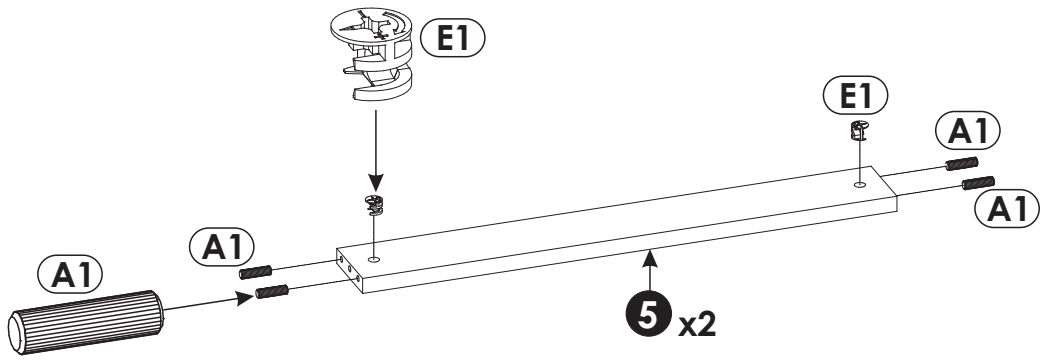
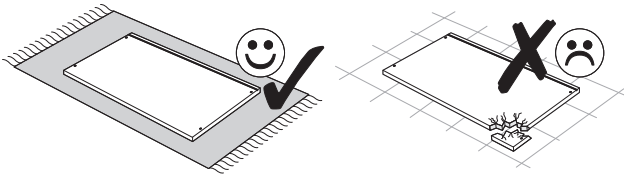
b



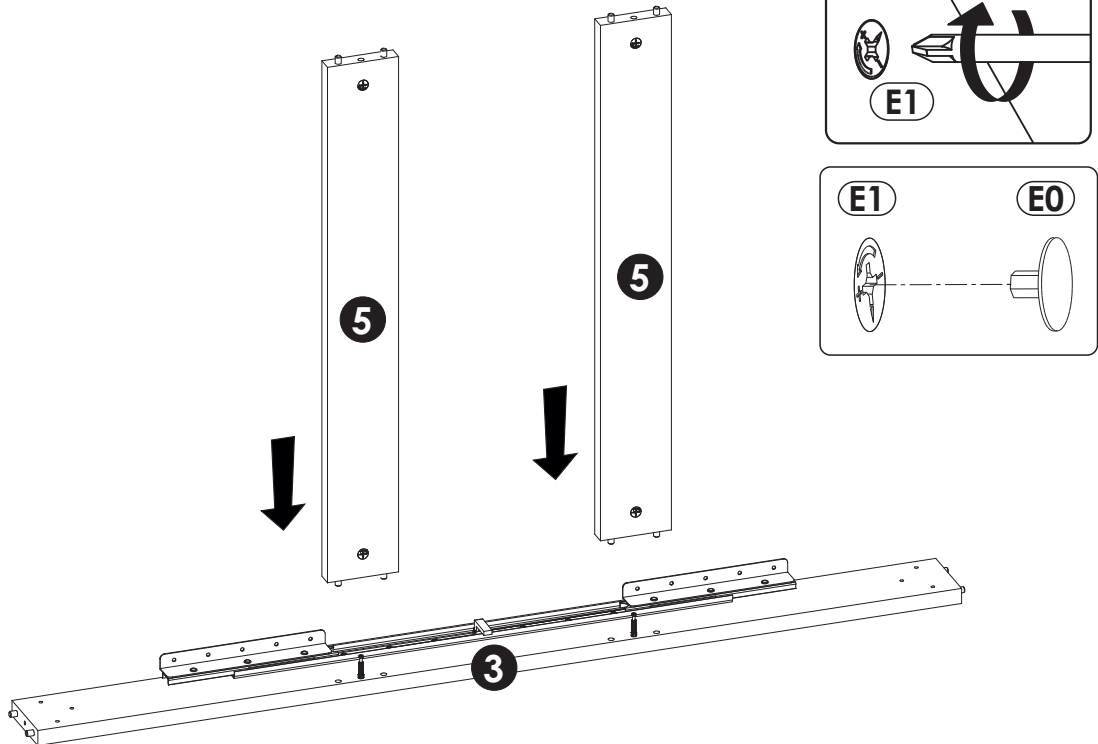
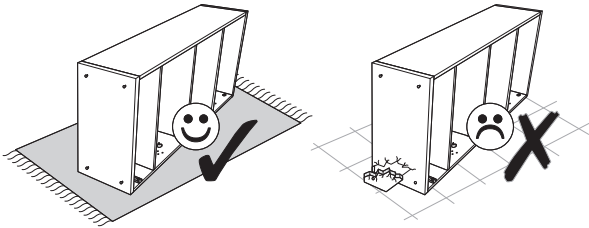
c



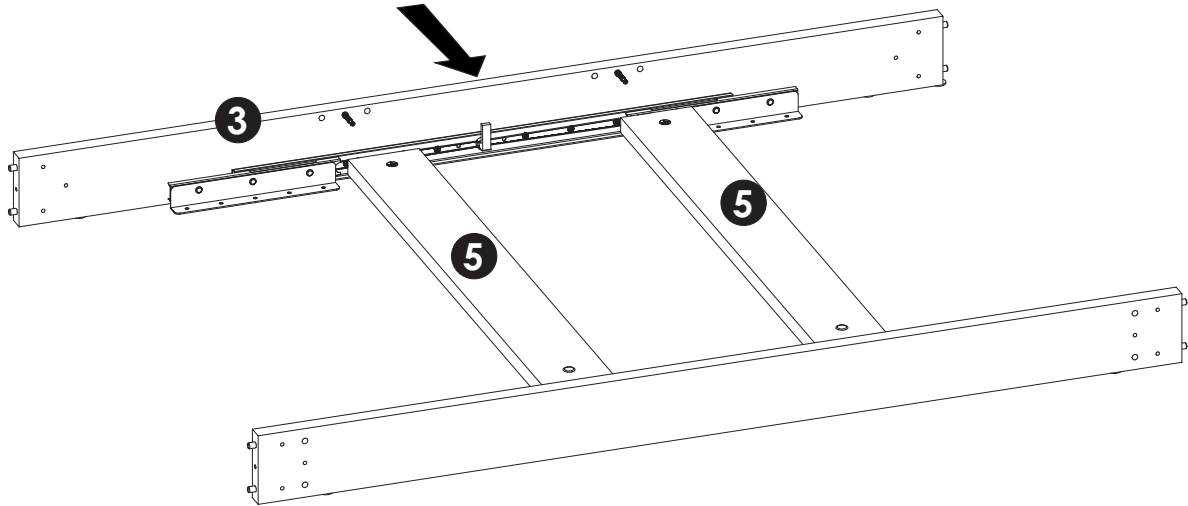
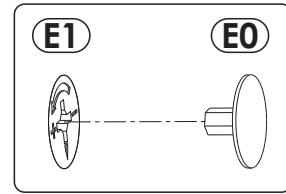
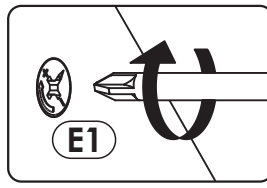
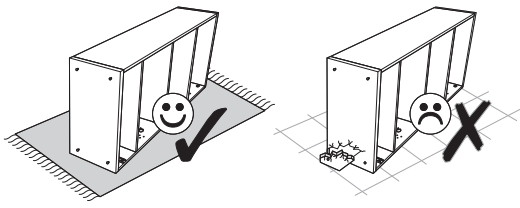
2▶



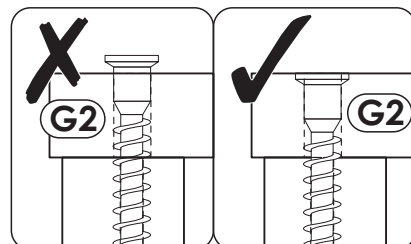
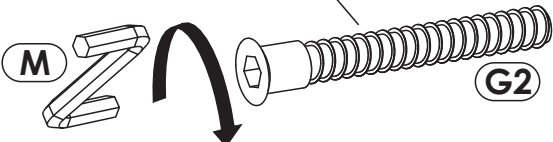
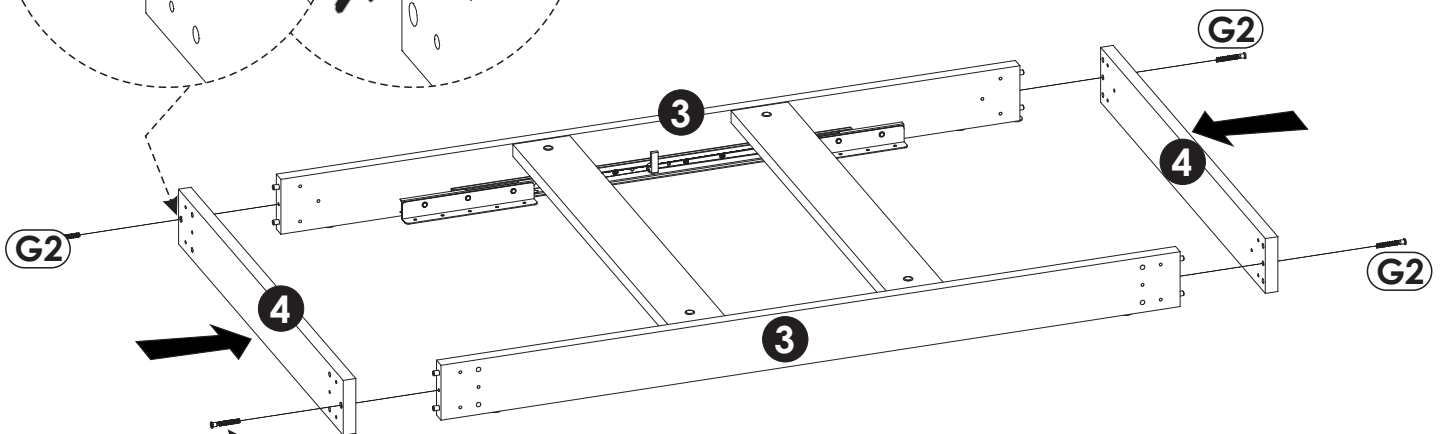
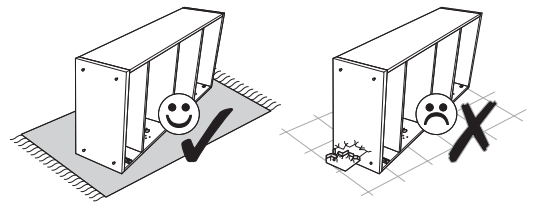
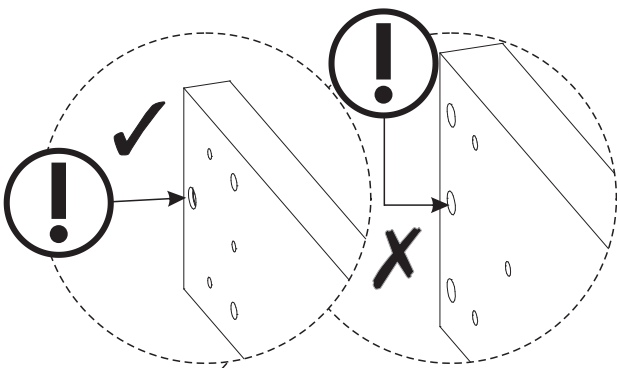
3▶



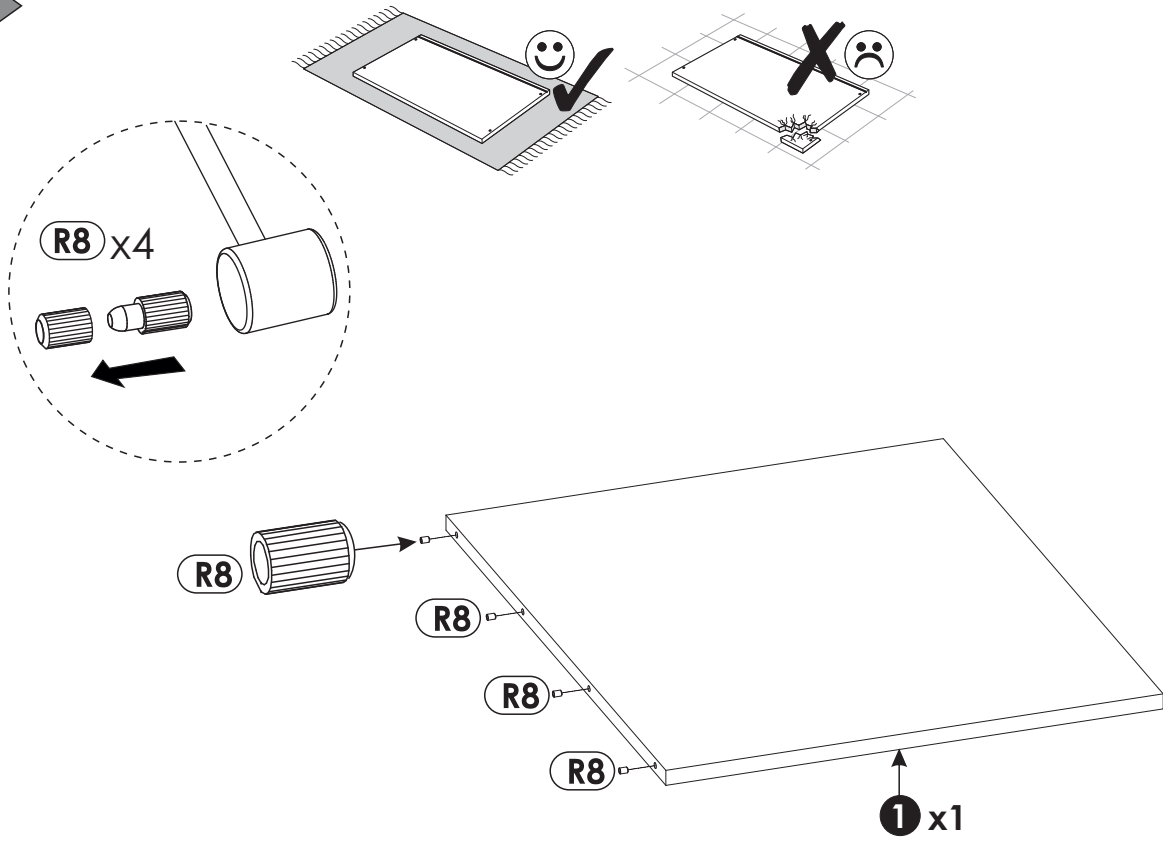
4 ▶



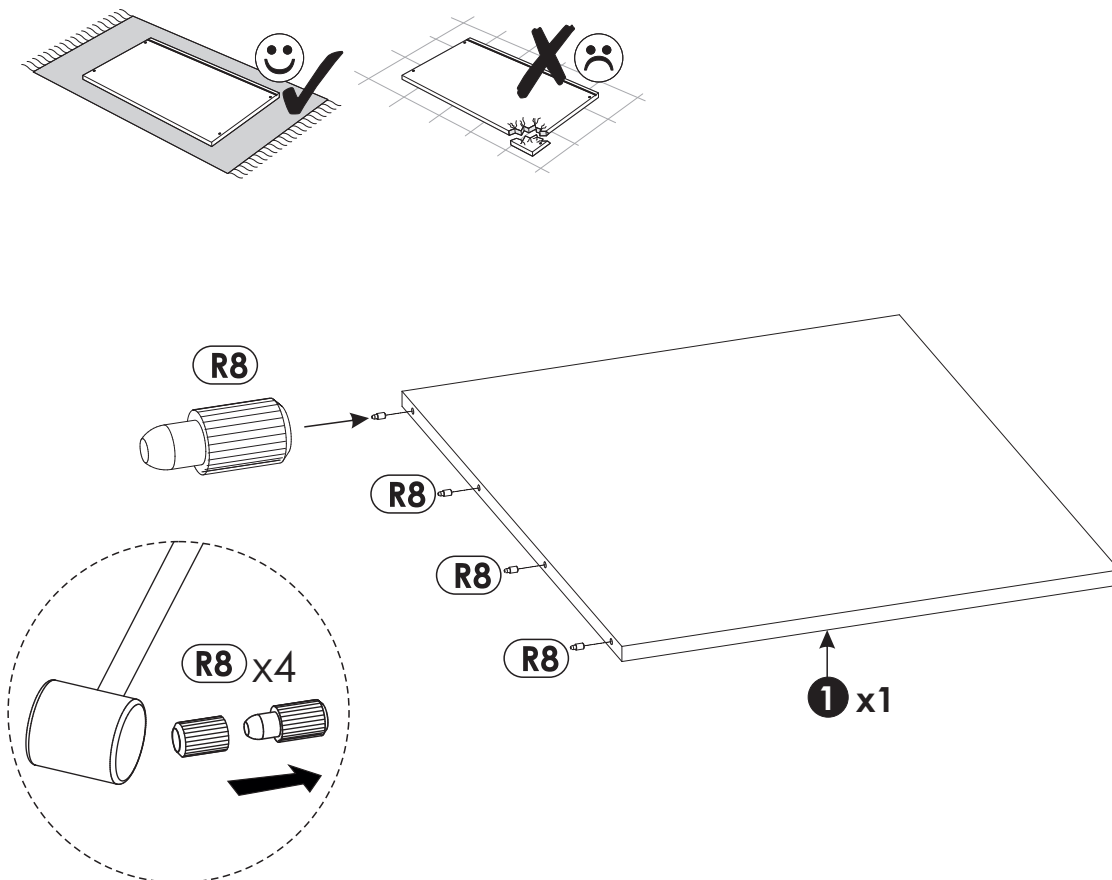
5 ▶



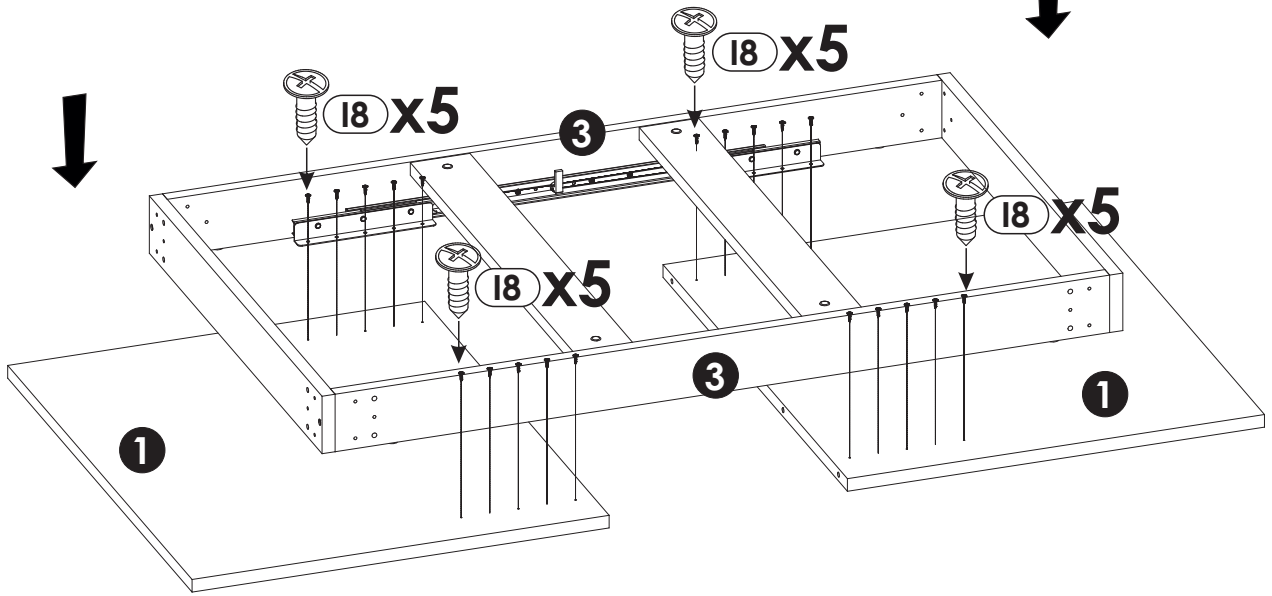
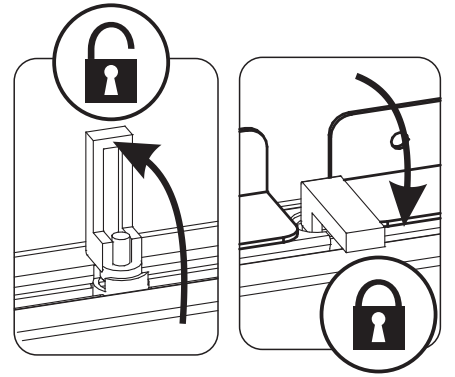
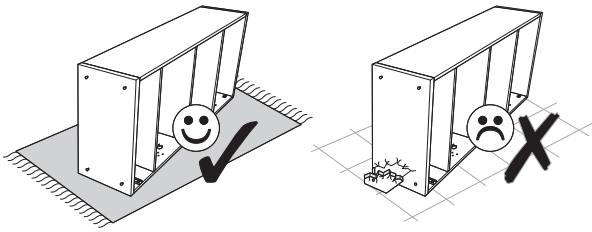
6 ▶



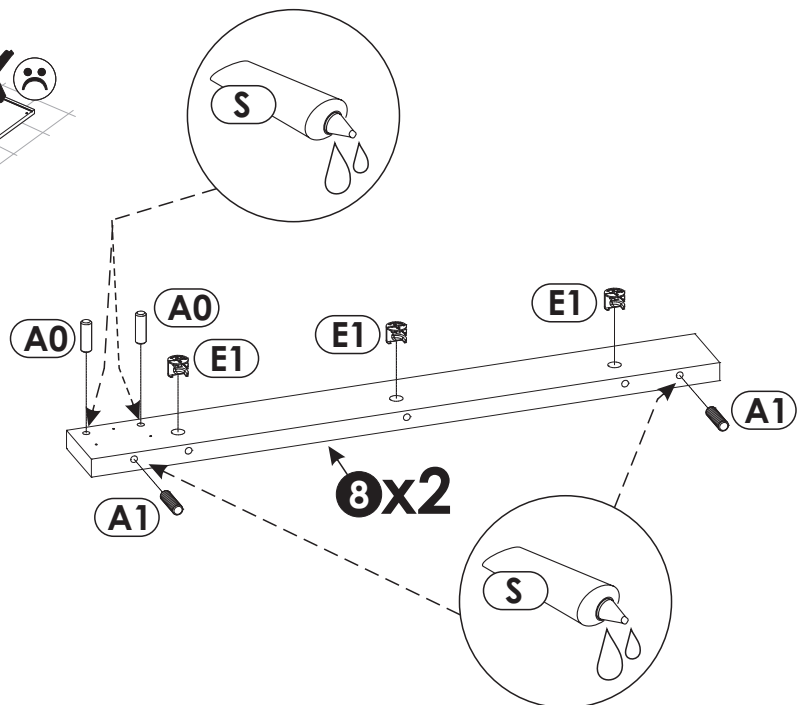
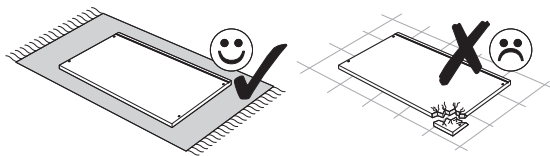
7 ▶



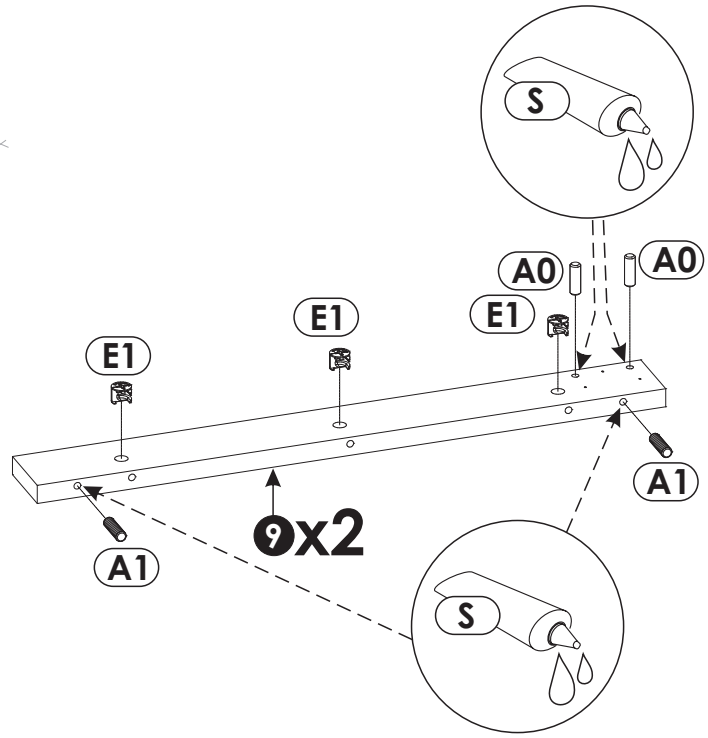
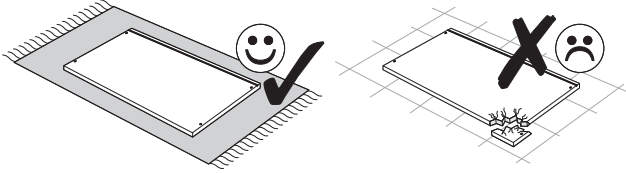
8 ▶



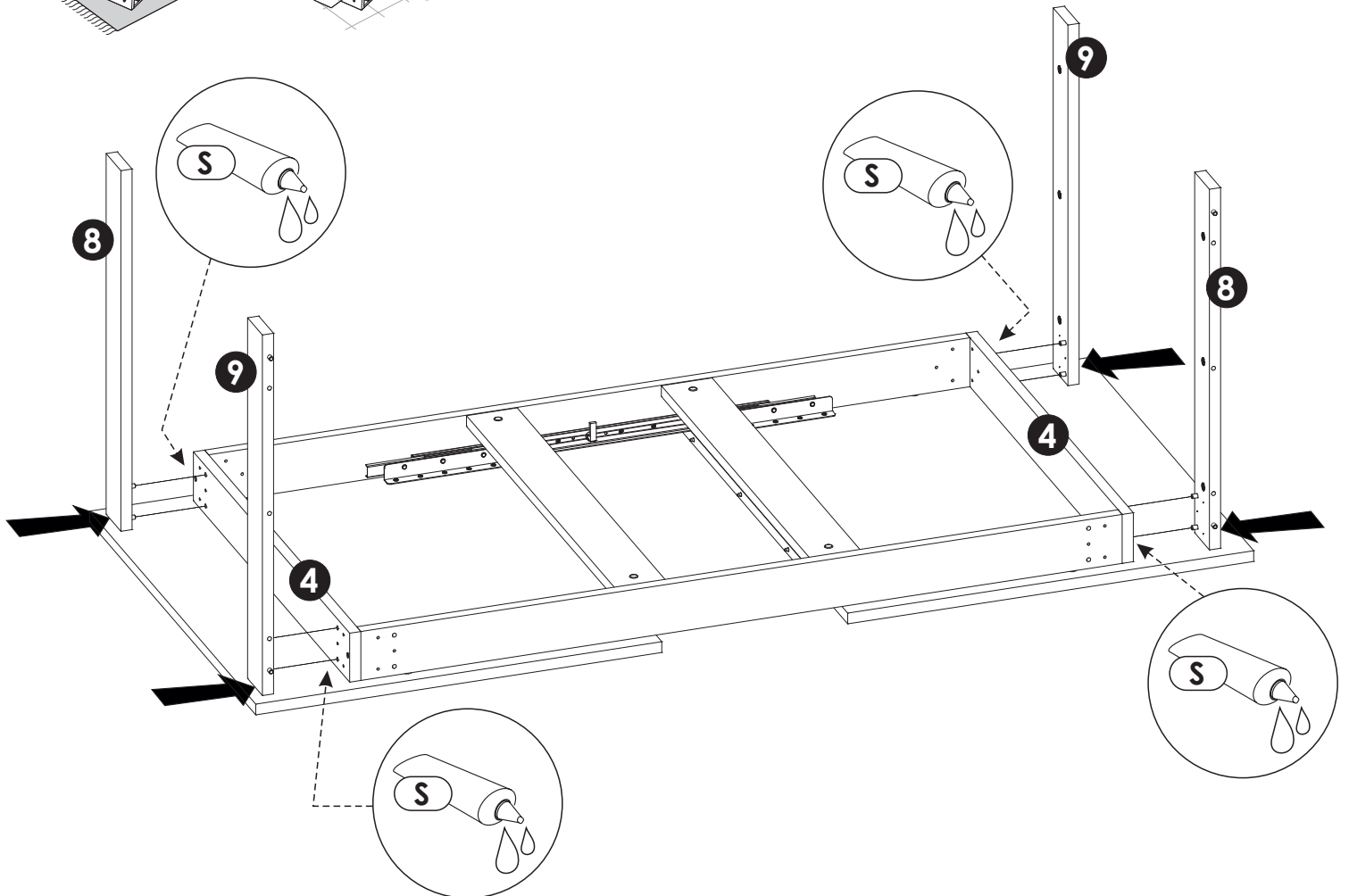
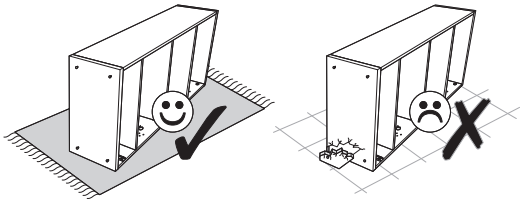
9 ▶



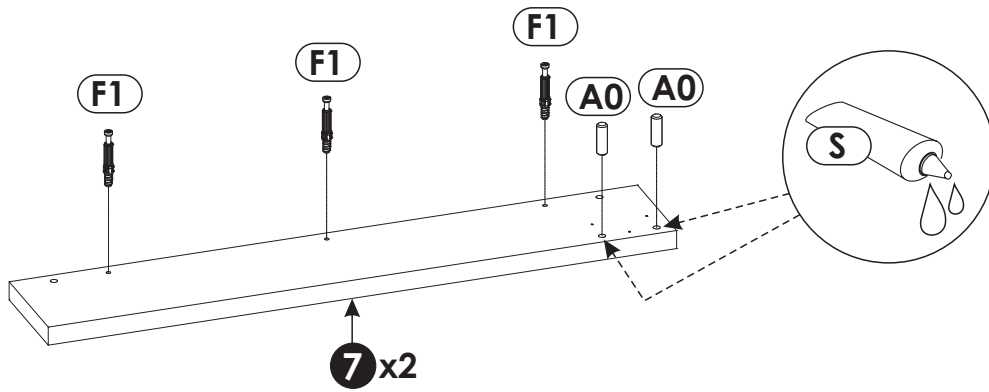
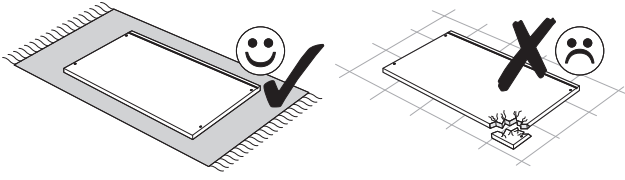
10 ▶



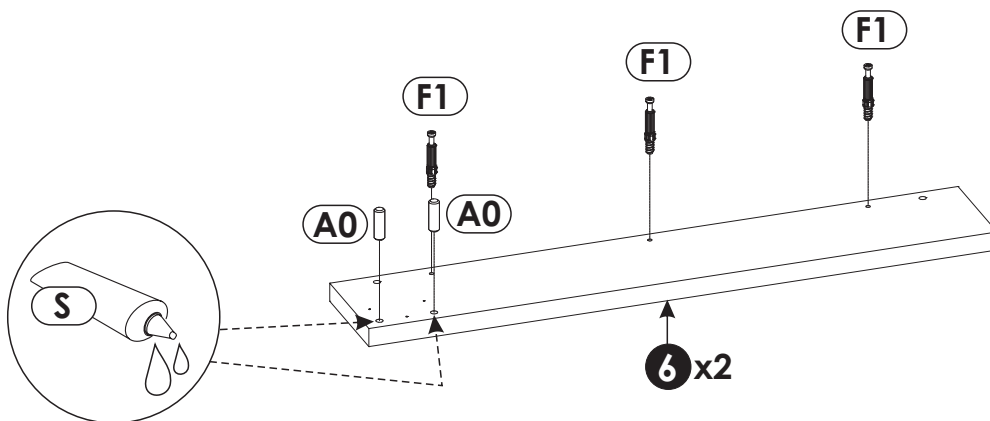
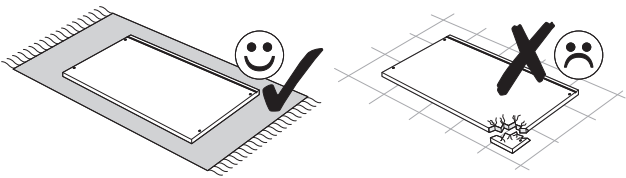
11 ▶



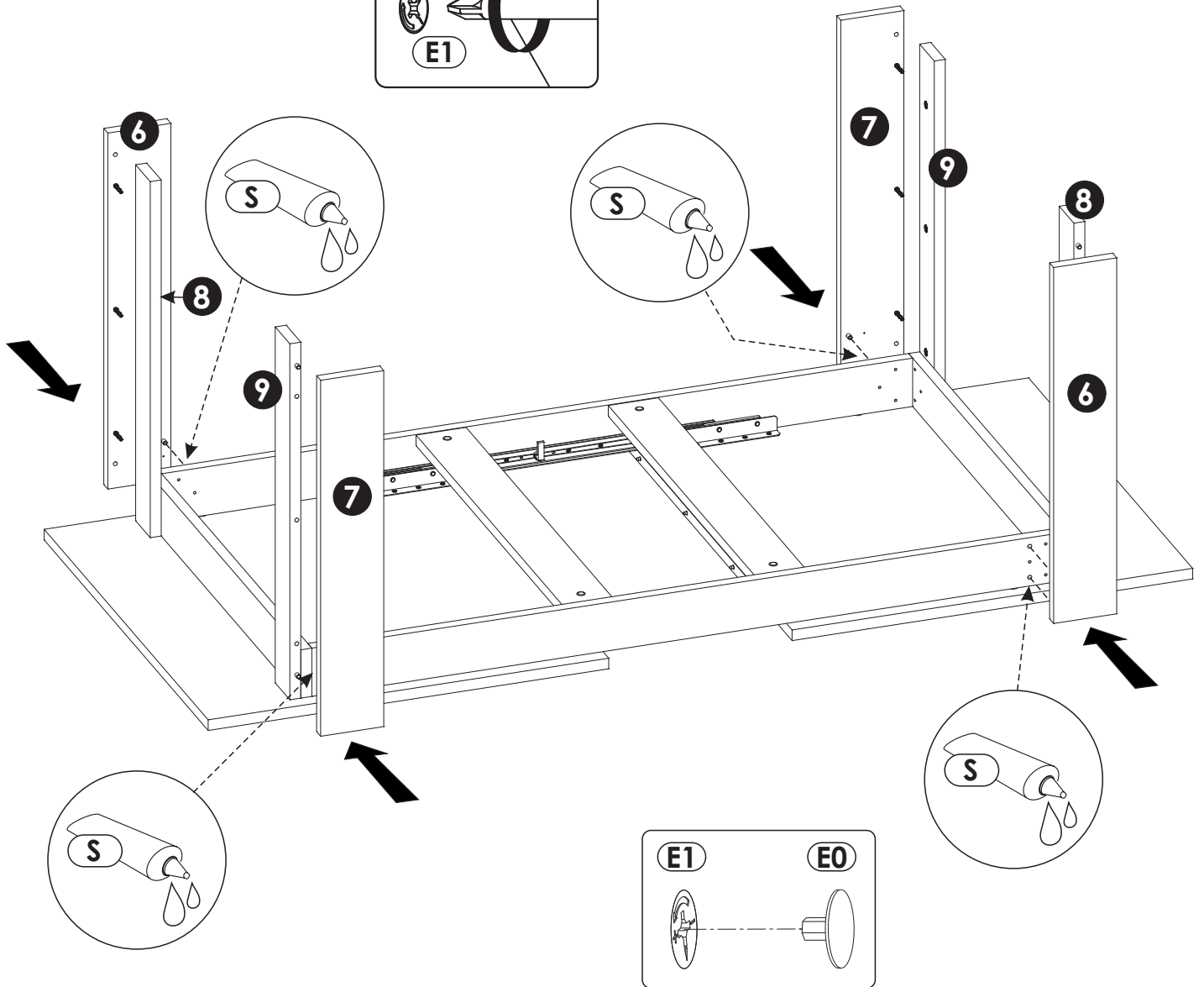
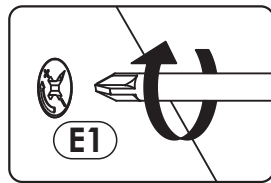
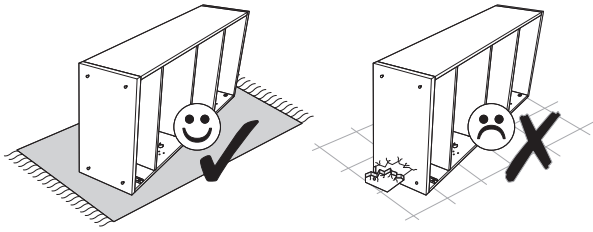
12▶



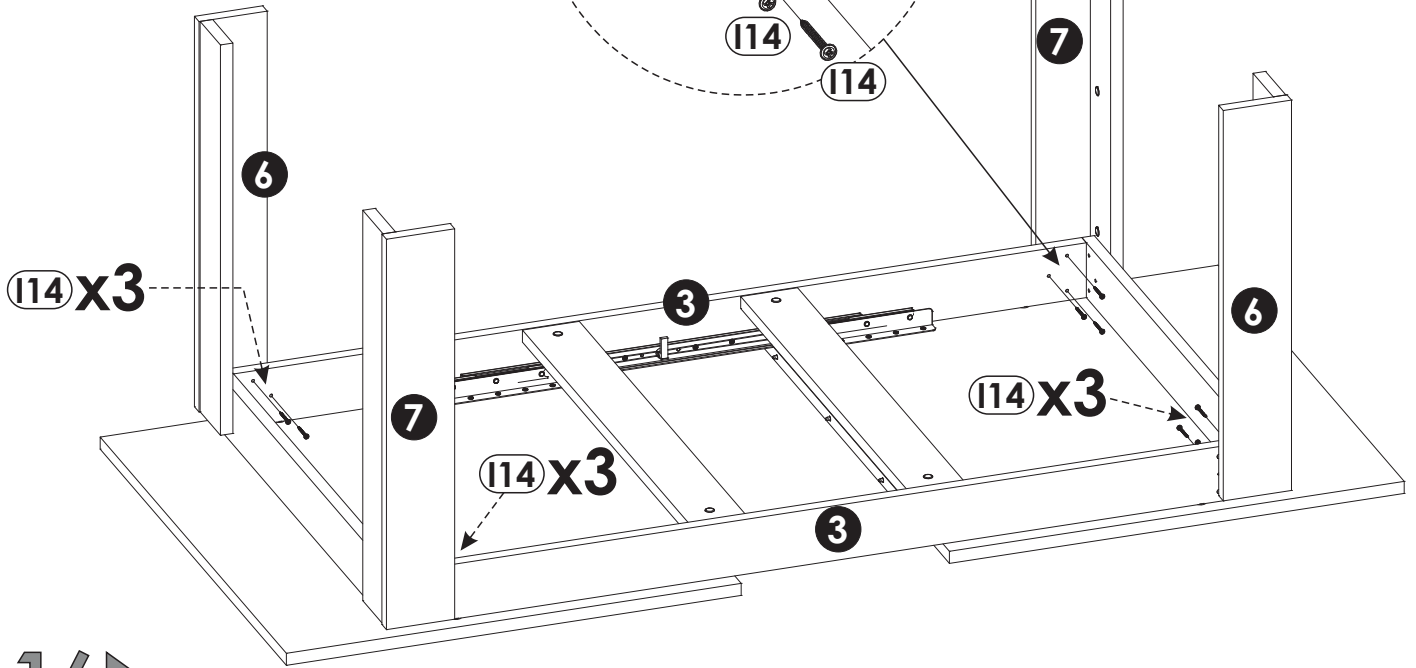
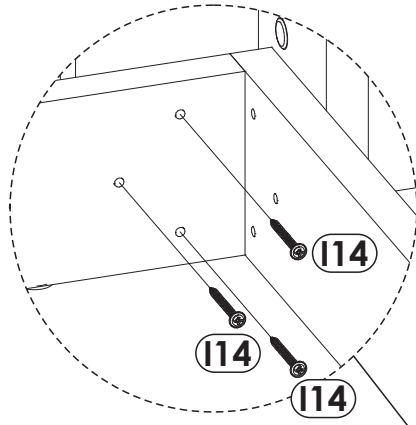
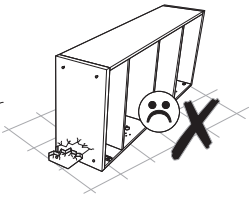
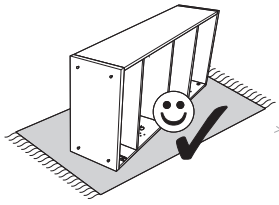
13▶



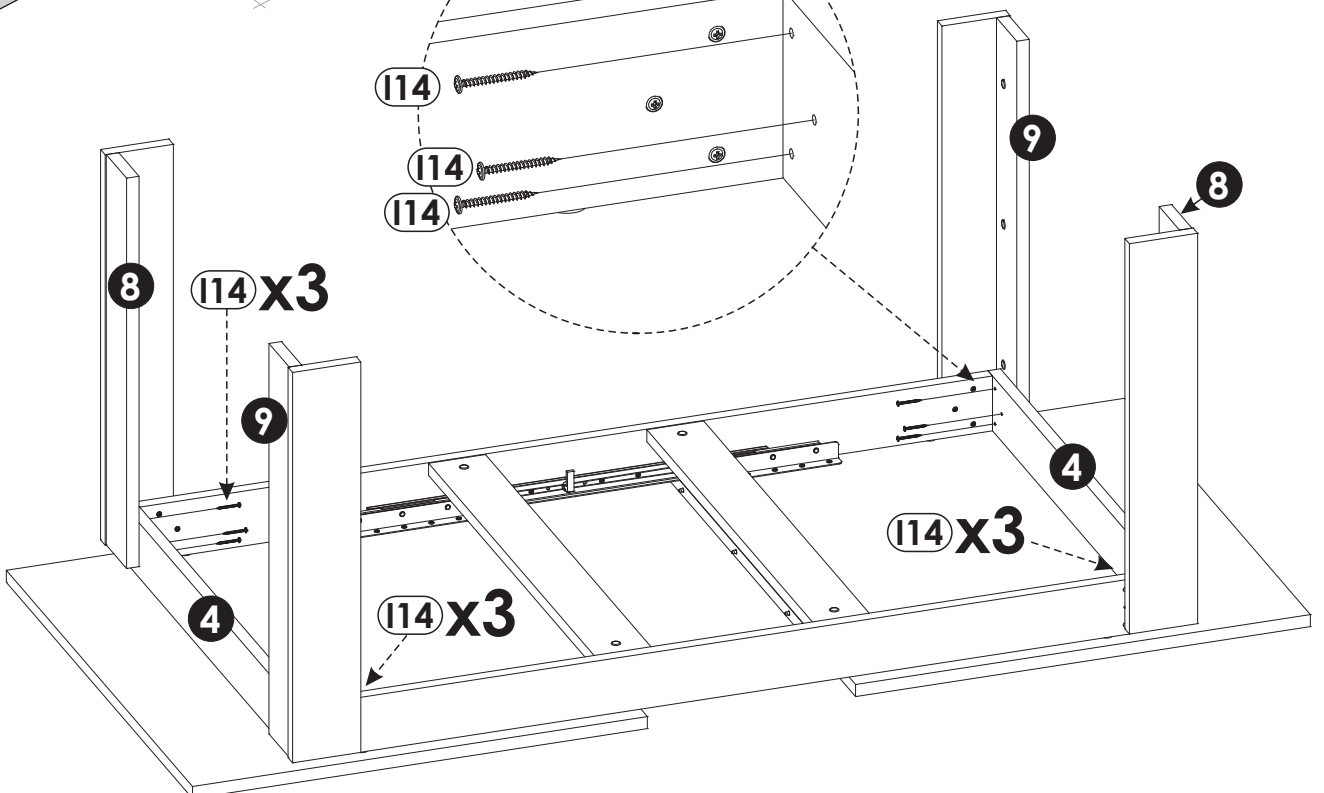
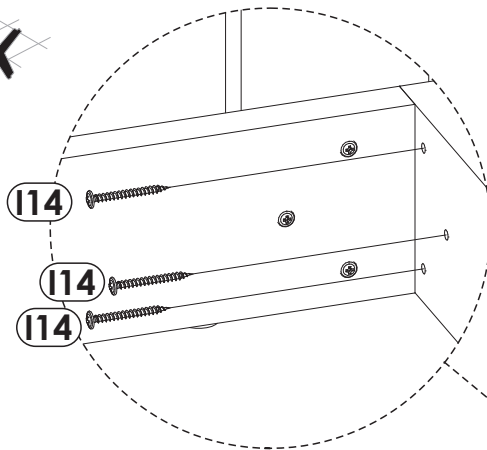
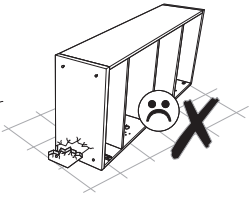
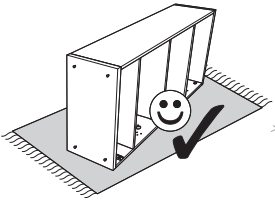
14▶



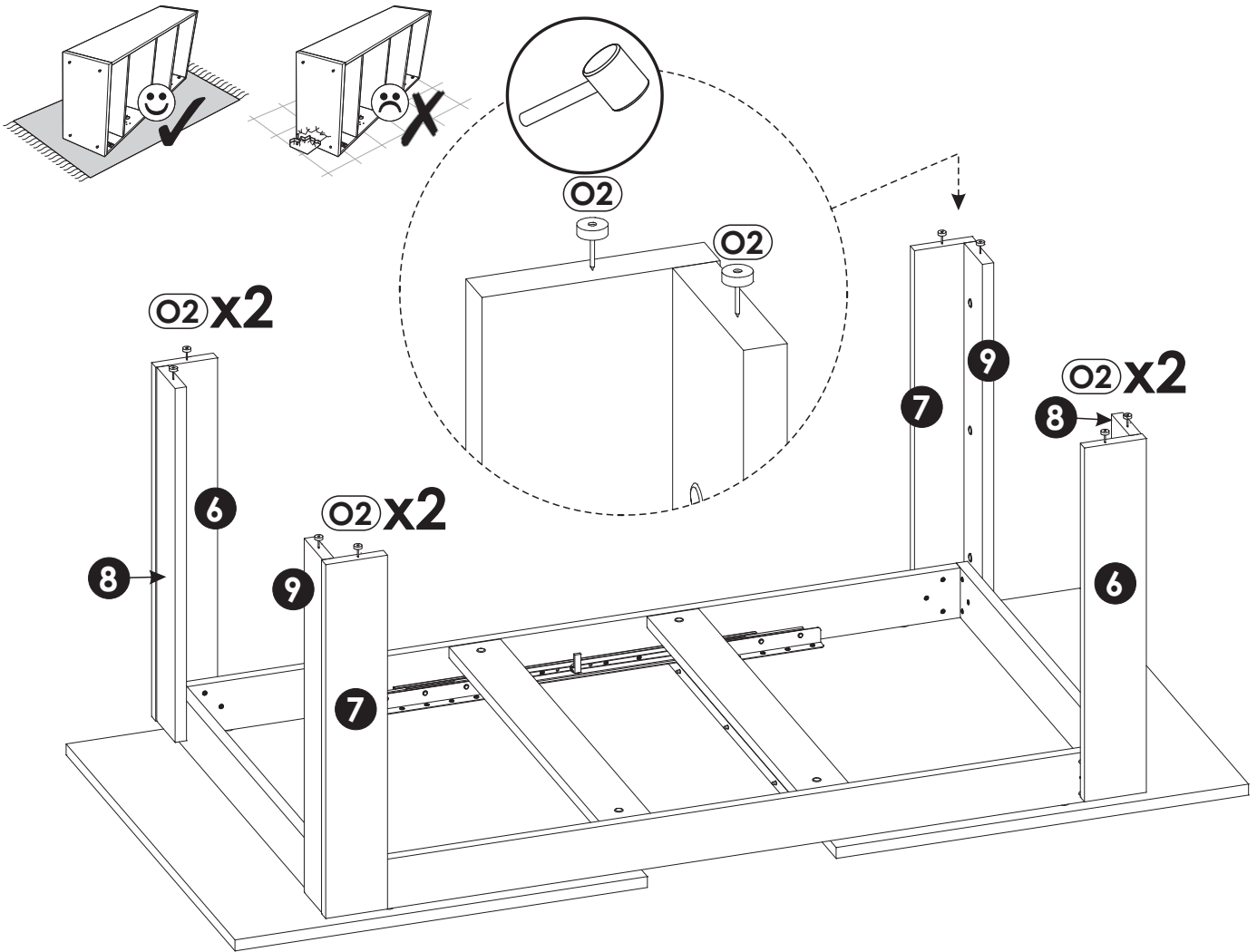
15 ▶



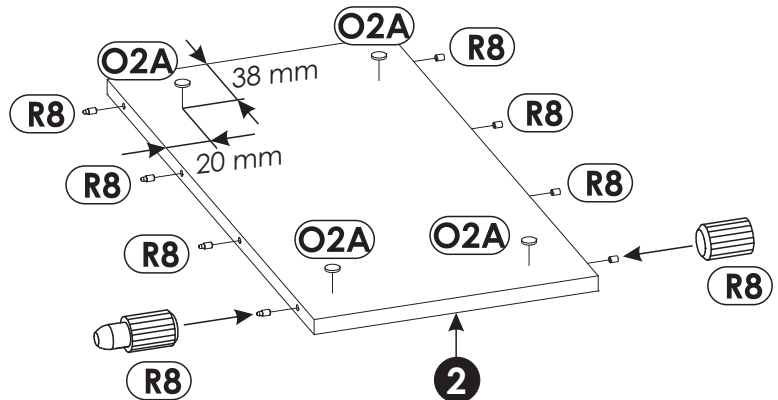
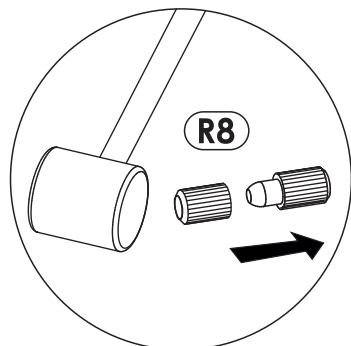
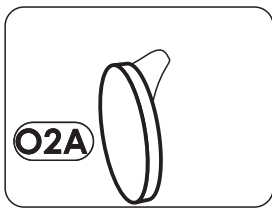
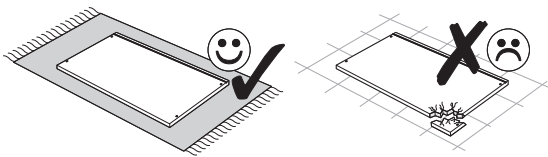
16 ▶



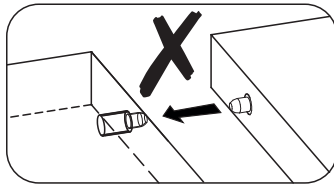
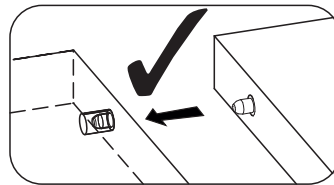
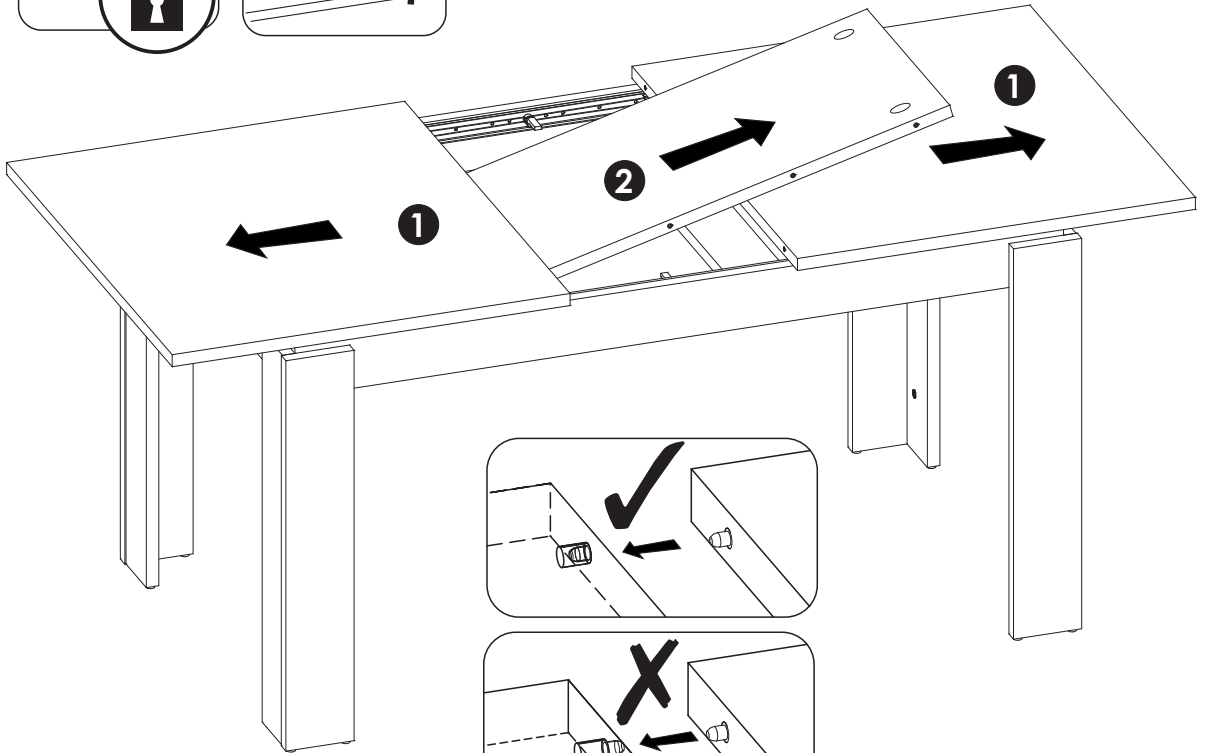
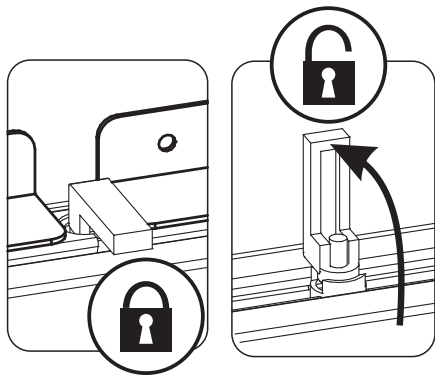
17▶



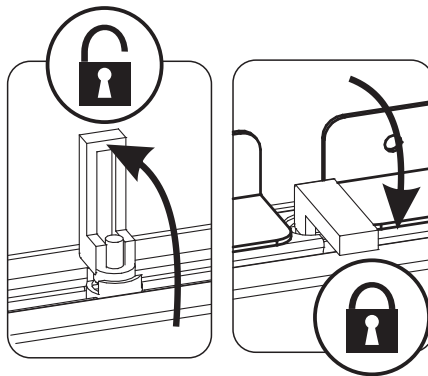
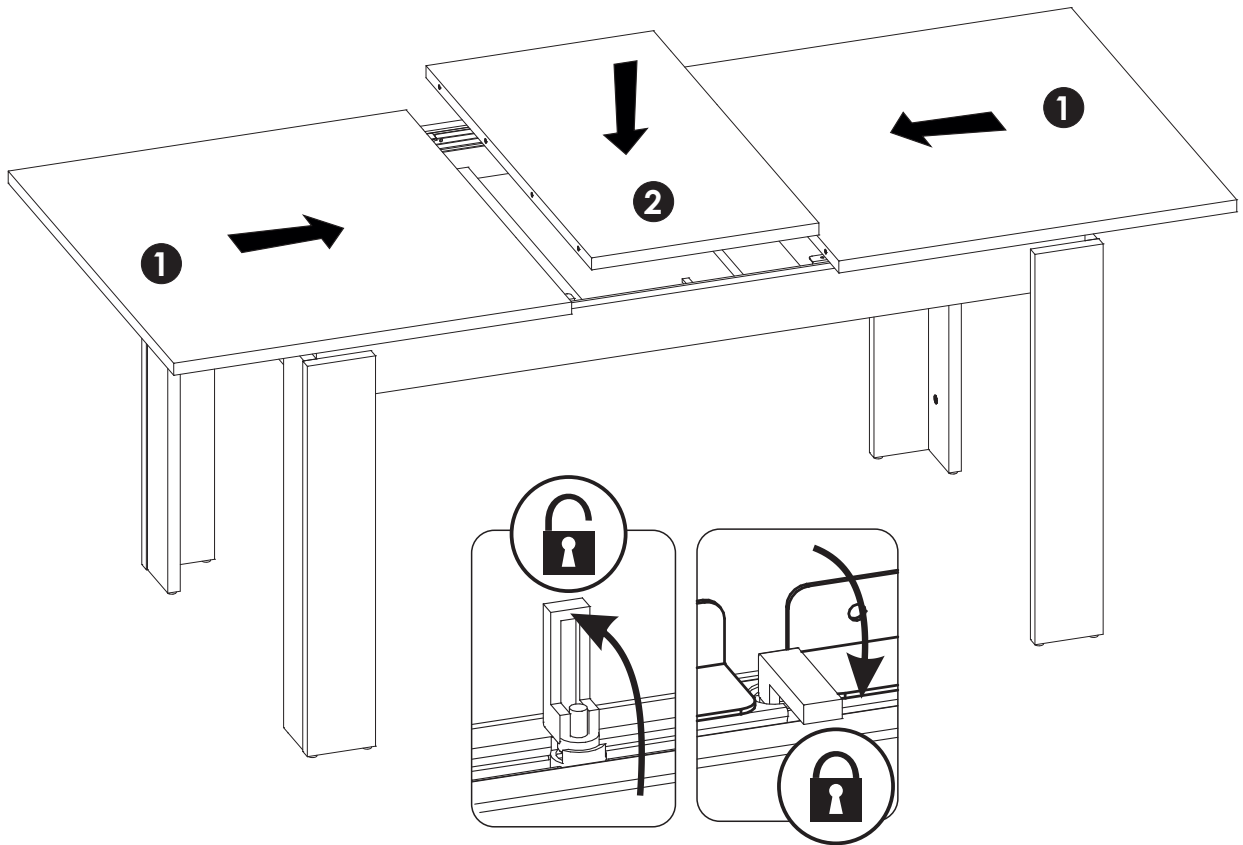
18▶

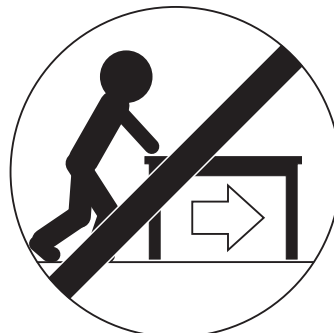
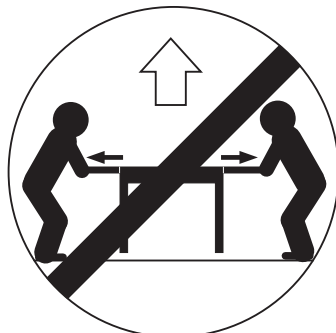
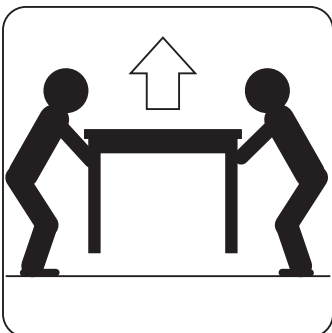
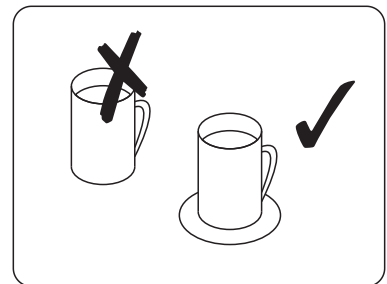
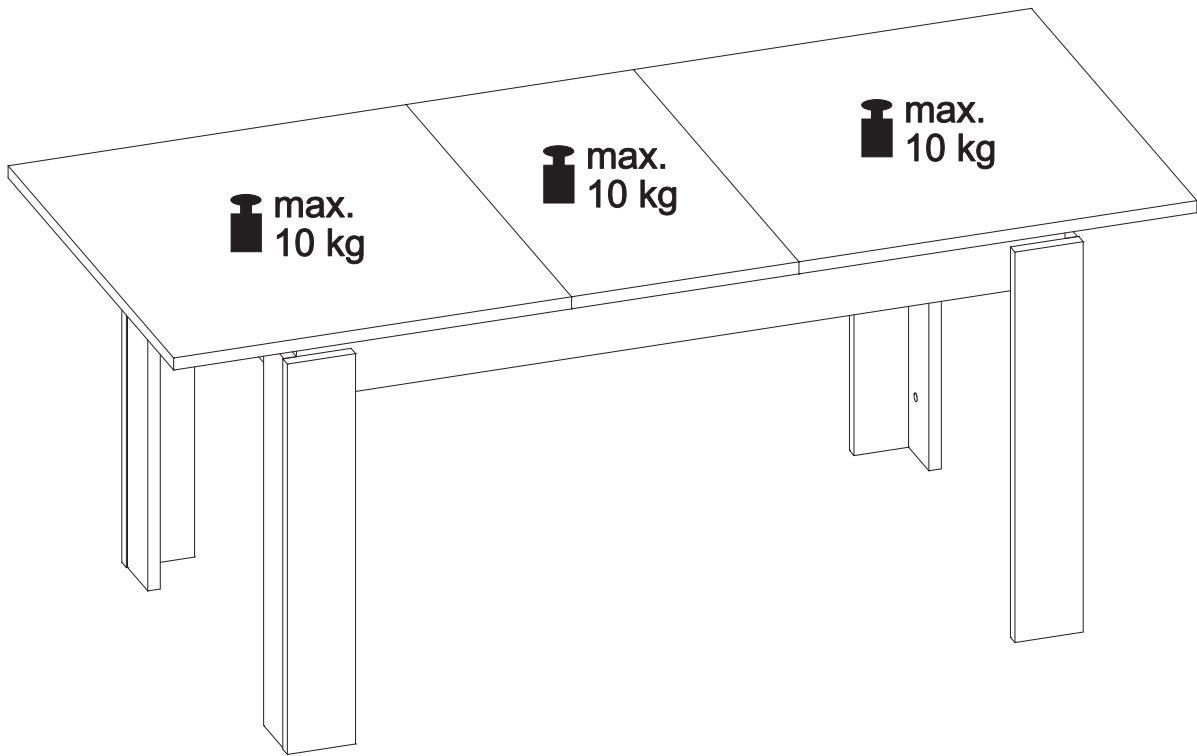


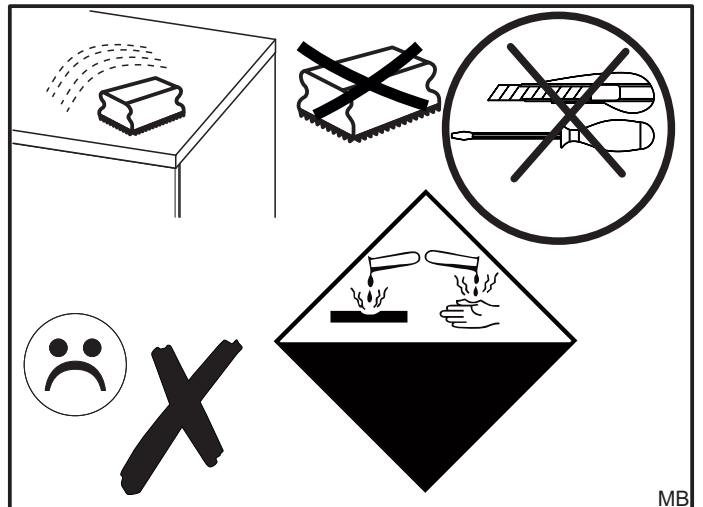
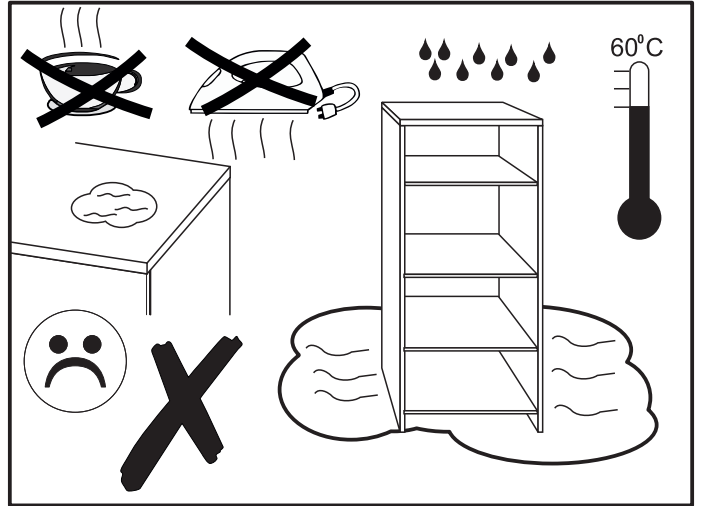
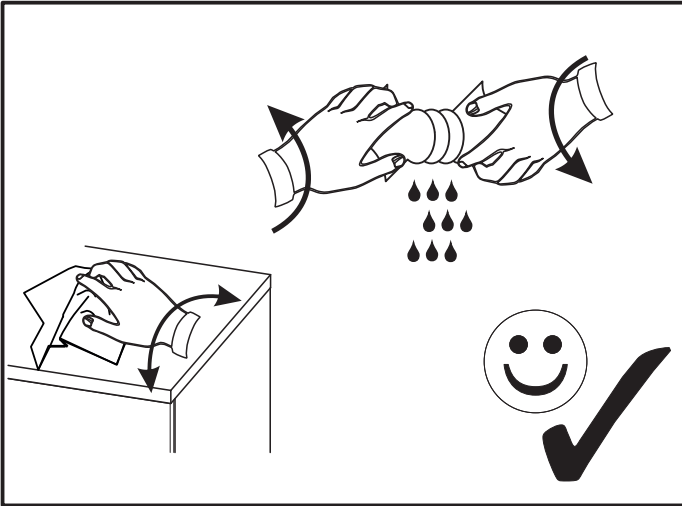
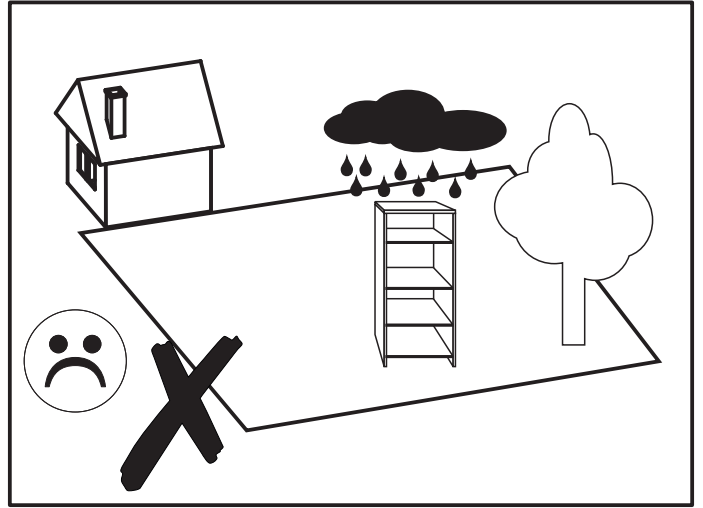
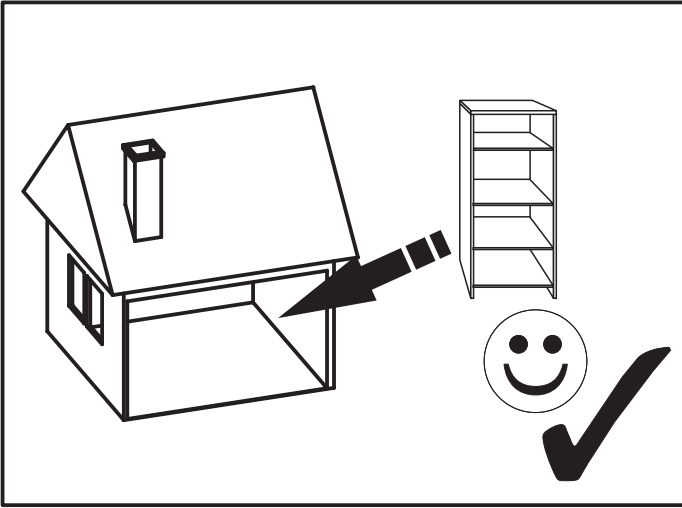
19▶



20▶

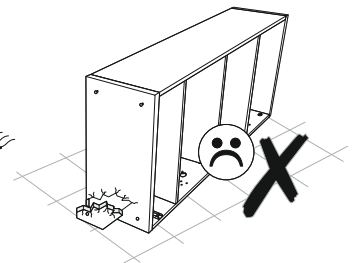
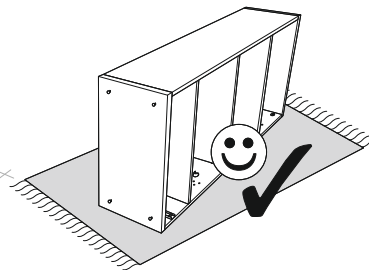
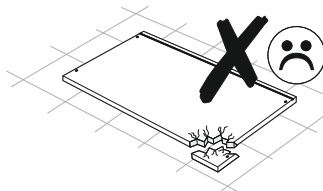
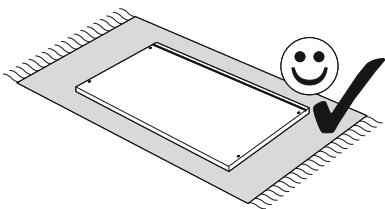
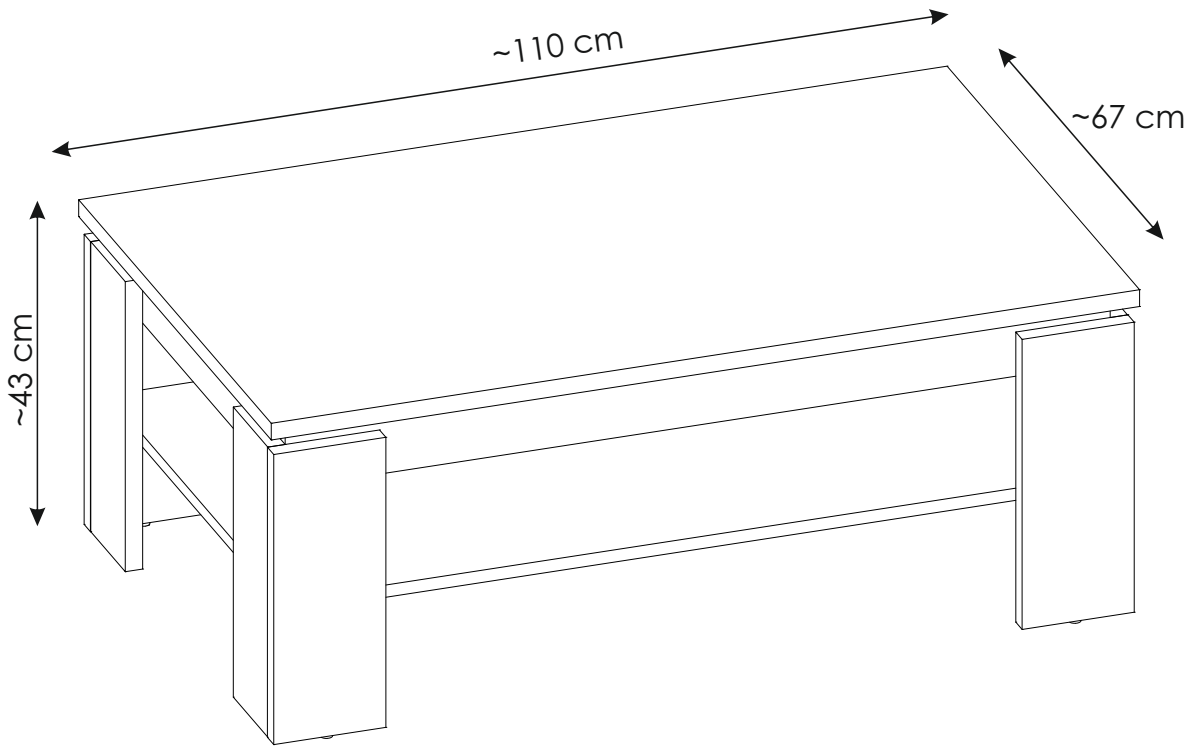
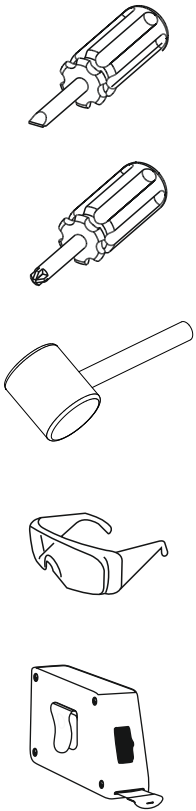
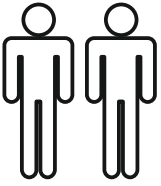


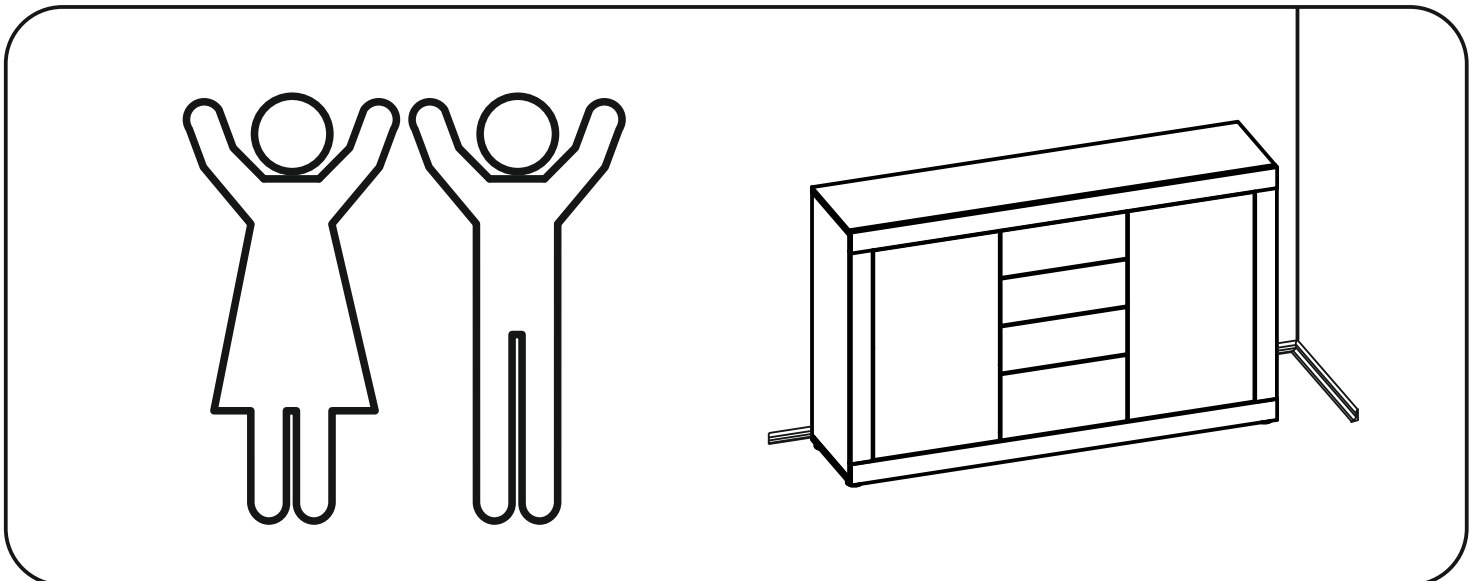
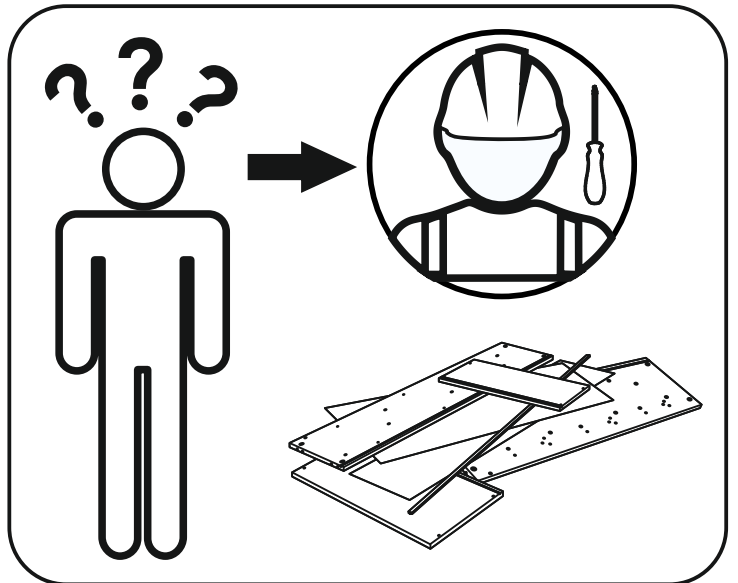
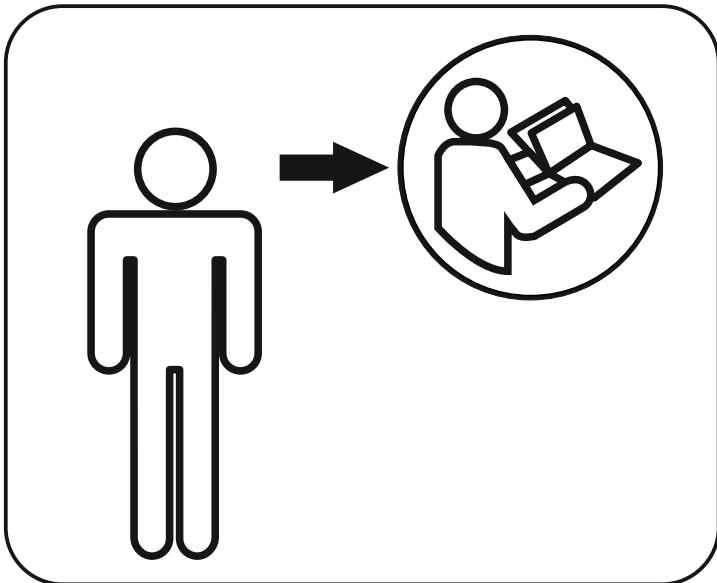
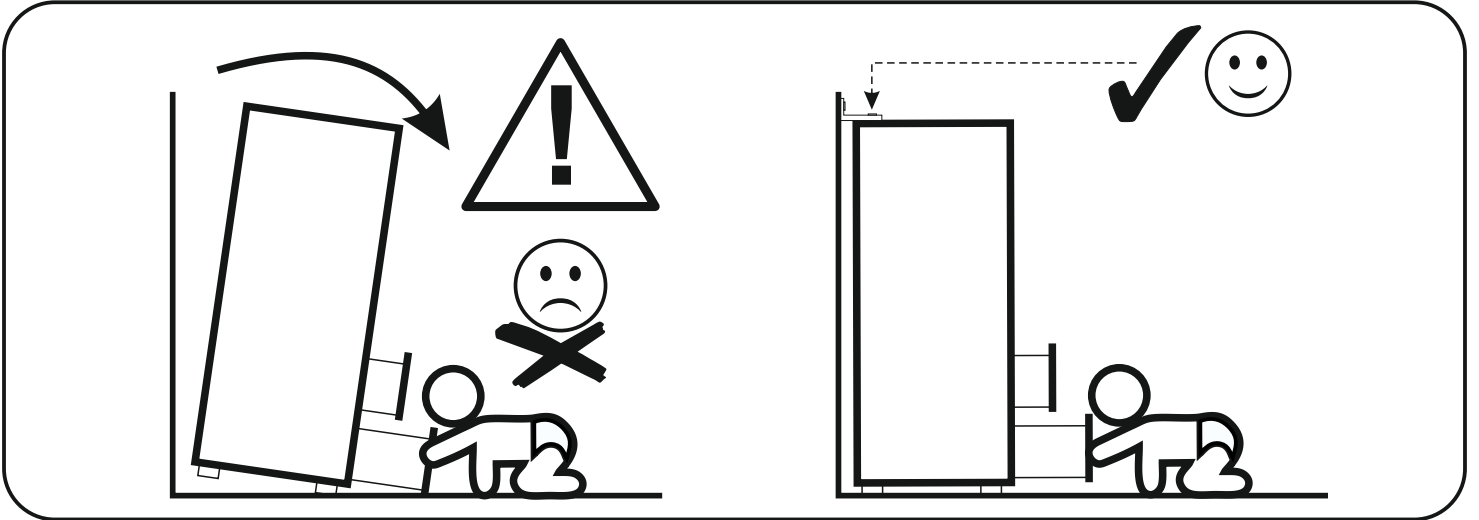
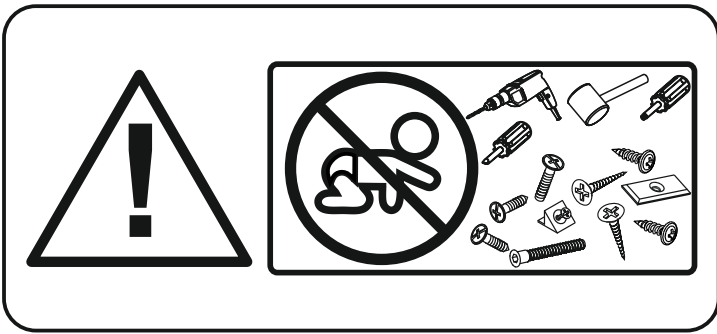




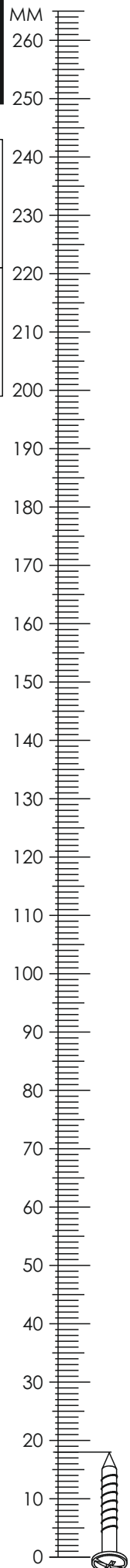
MB

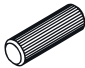
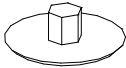

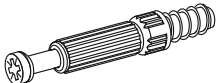
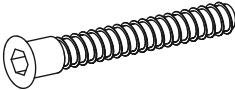
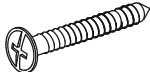
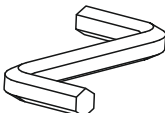
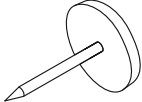
RVT24



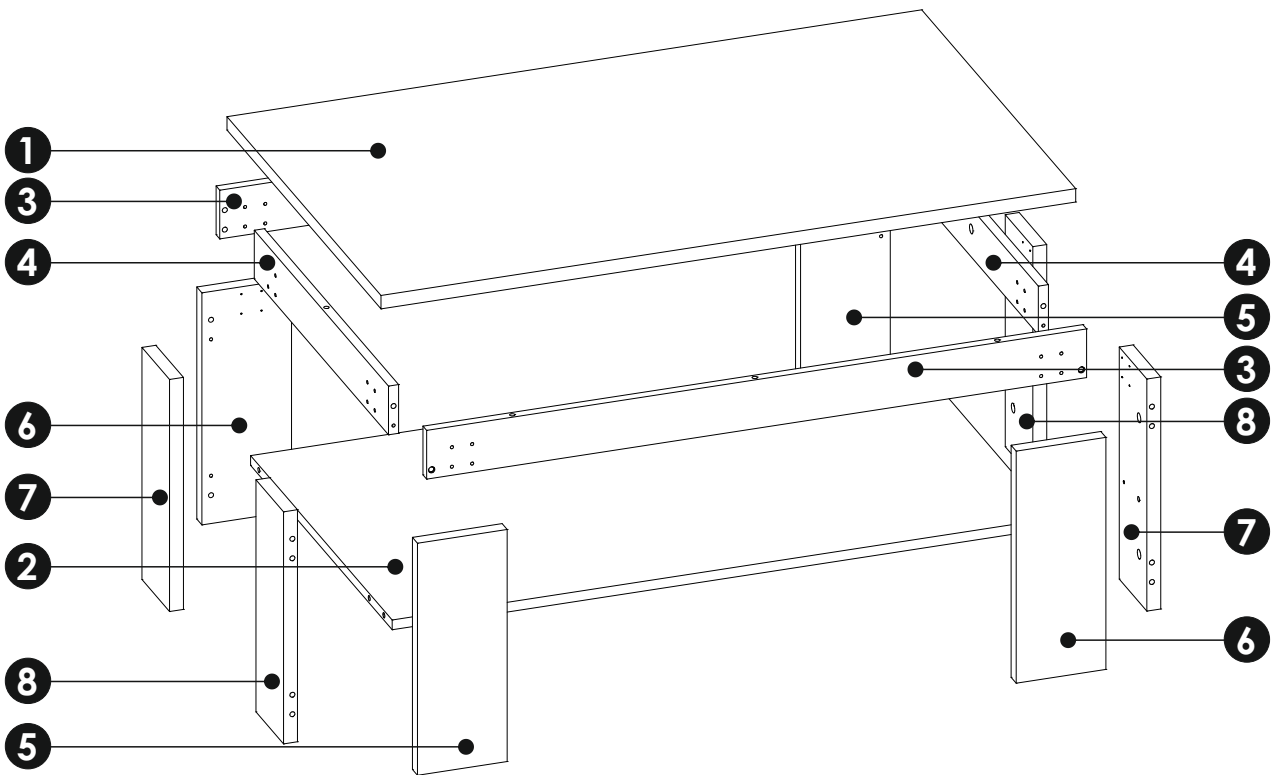
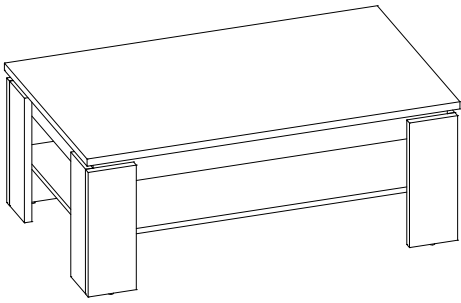


RVT24

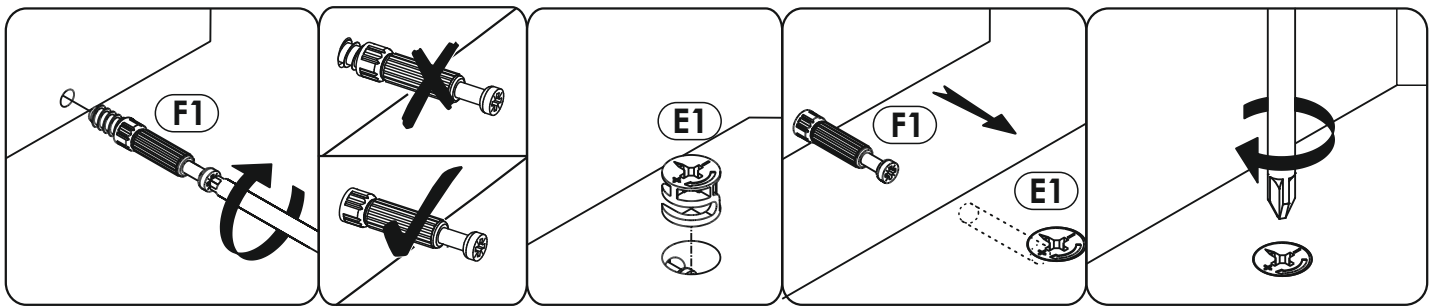


A1 8 x 35 mm x16 	E0 Ø16 x20 	E1 15 x 12 mm x20 
F1 6 x 34 mm x20 	G1 7 x 50 mm x4 	I13 4 x 35 mm x32 
M x1 	O2 x8 	

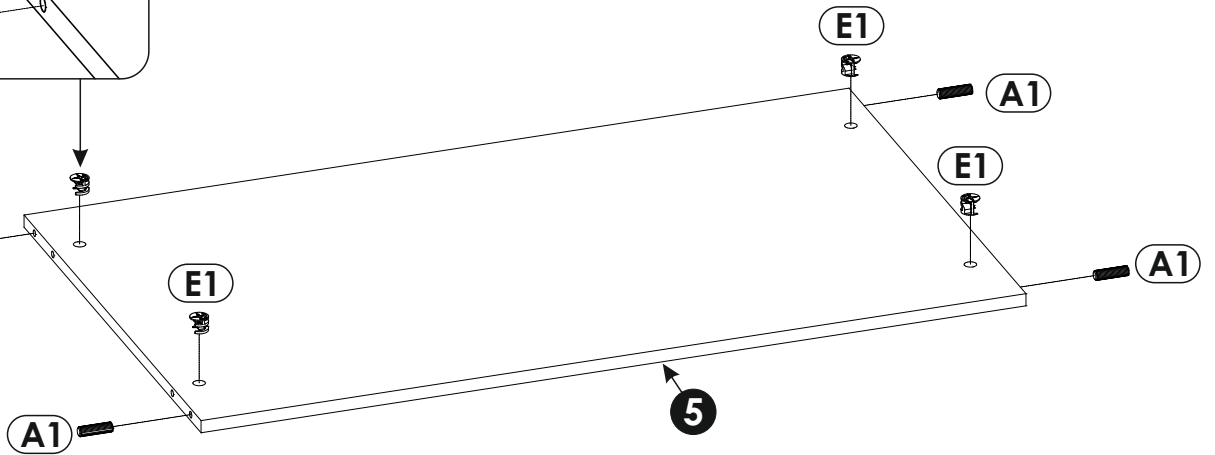
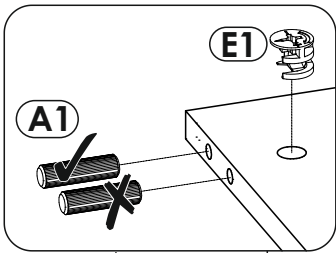
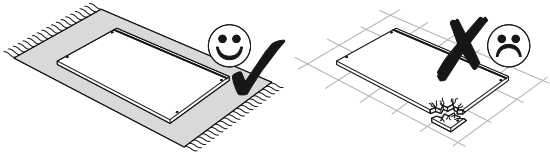
RVT24



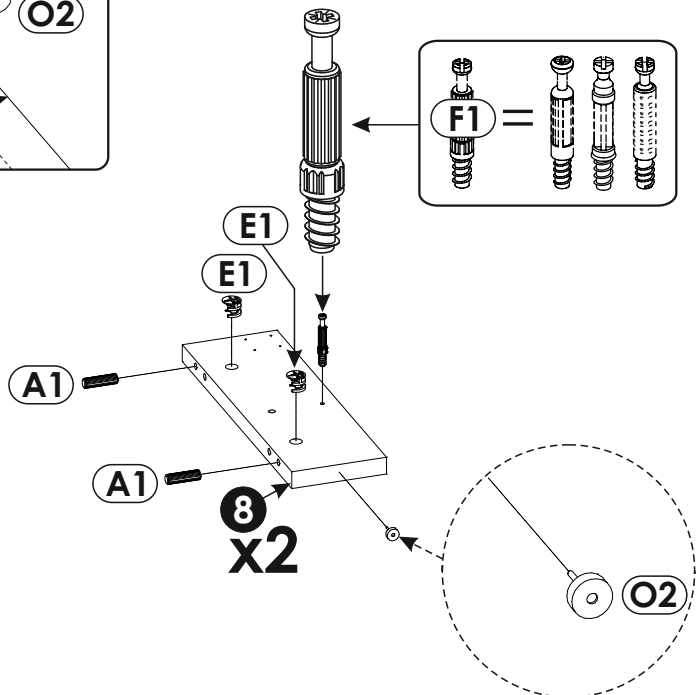
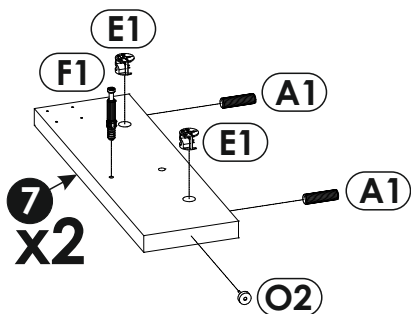
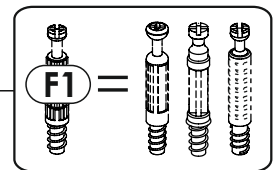
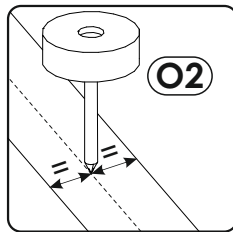
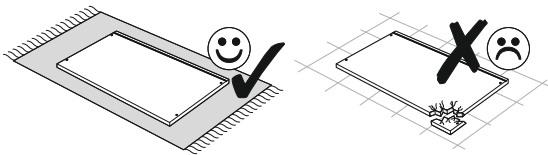
1	1100	670	22	x1	1/1
2	1045	616	16	x1	1/1
3	1045	80	16	x2	1/1
4	584	80	16	x2	1/1
5	381	142	22	x2	1/1
6	381	142	22	x2	1/1
7	381	120	22	x2	1/1
8	381	120	22	x2	1/1



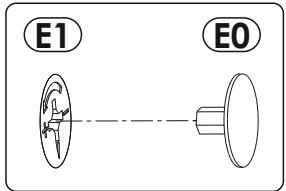
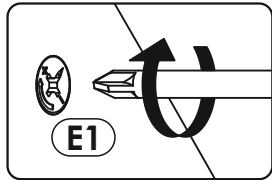
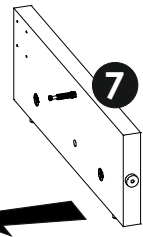
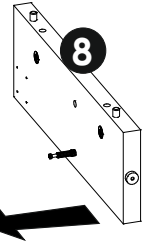
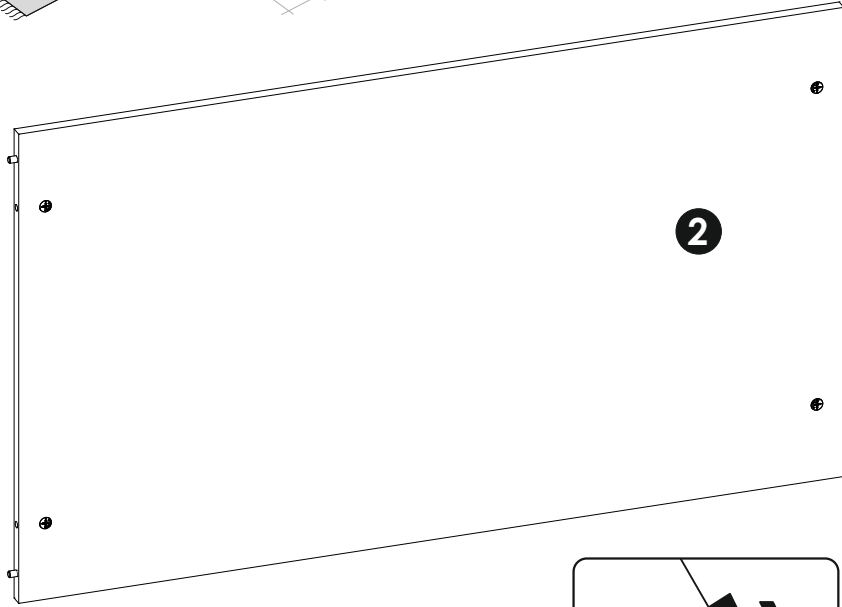
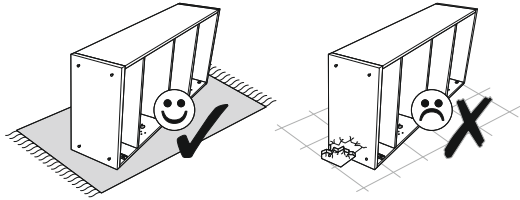
1 ▶



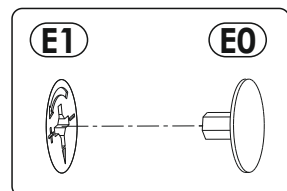
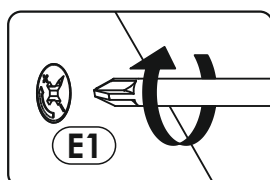
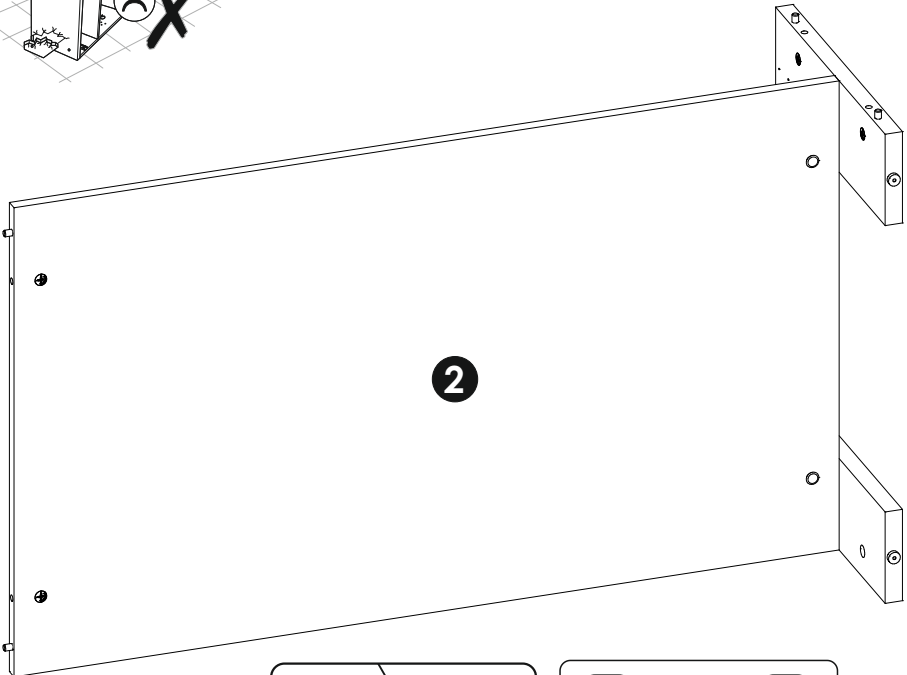
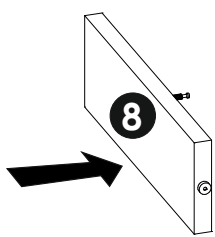
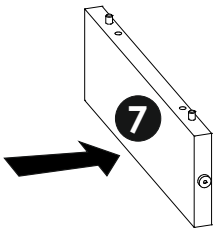
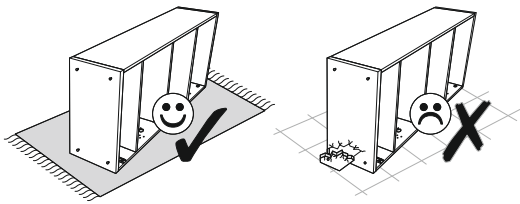
2 ▶



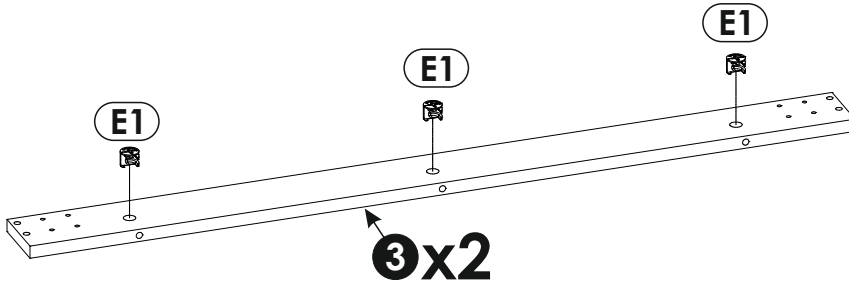
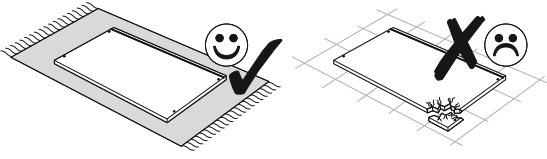
3 ▶



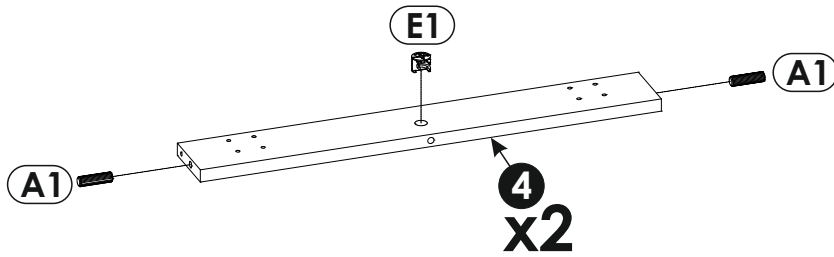
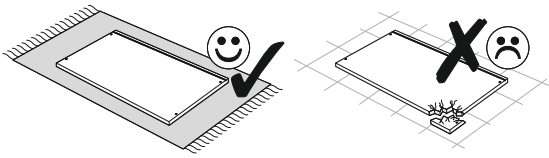
4 ▶



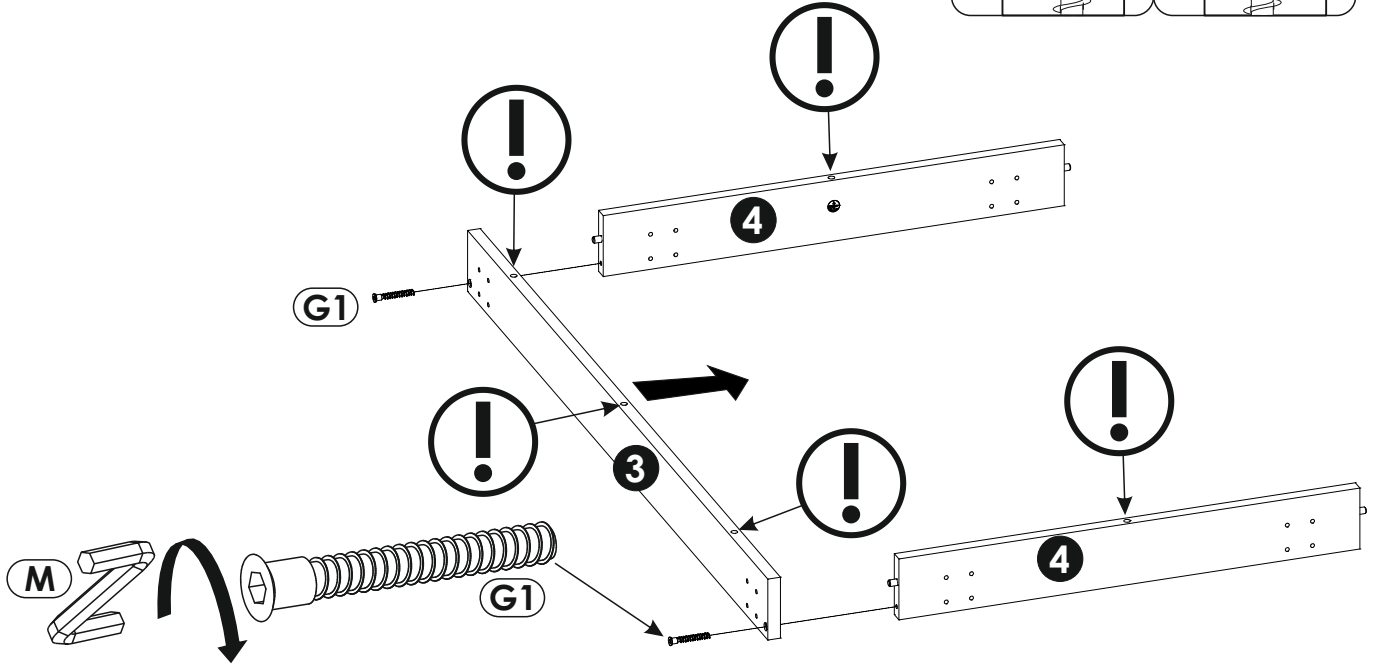
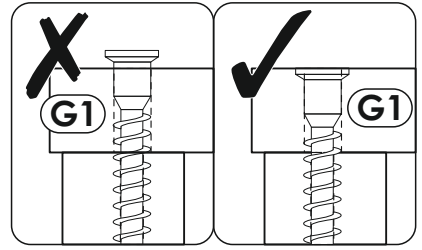
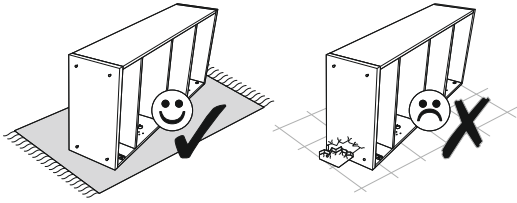
5 ▶



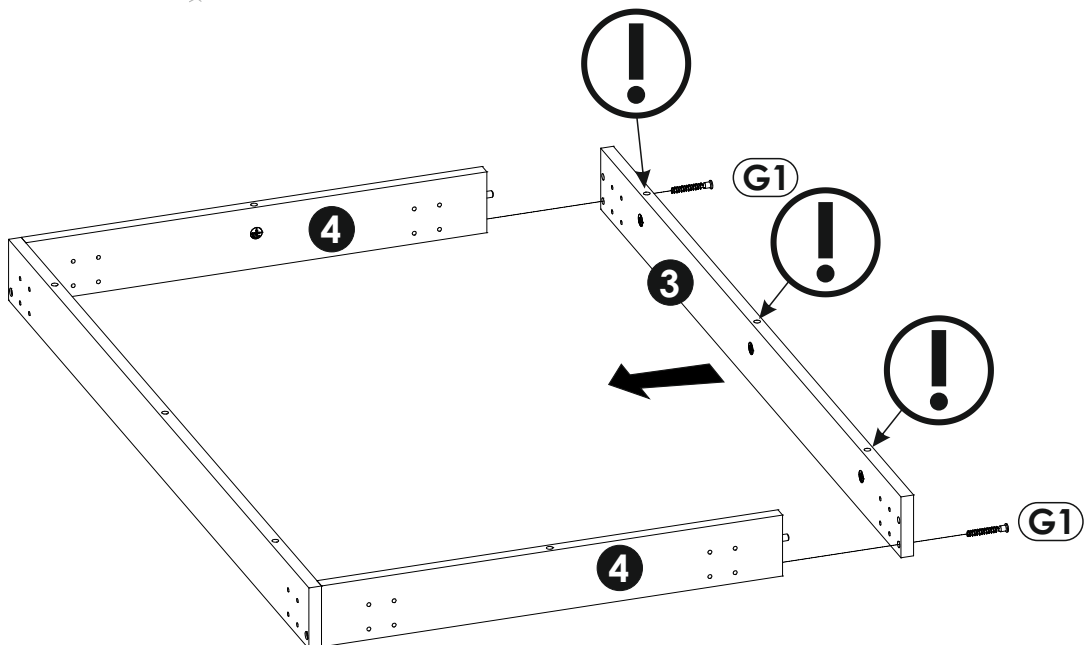
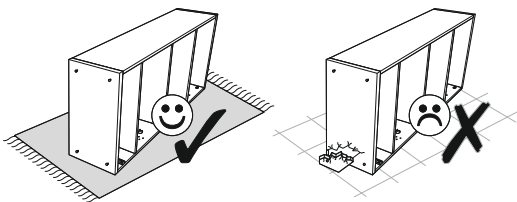
6 ▶



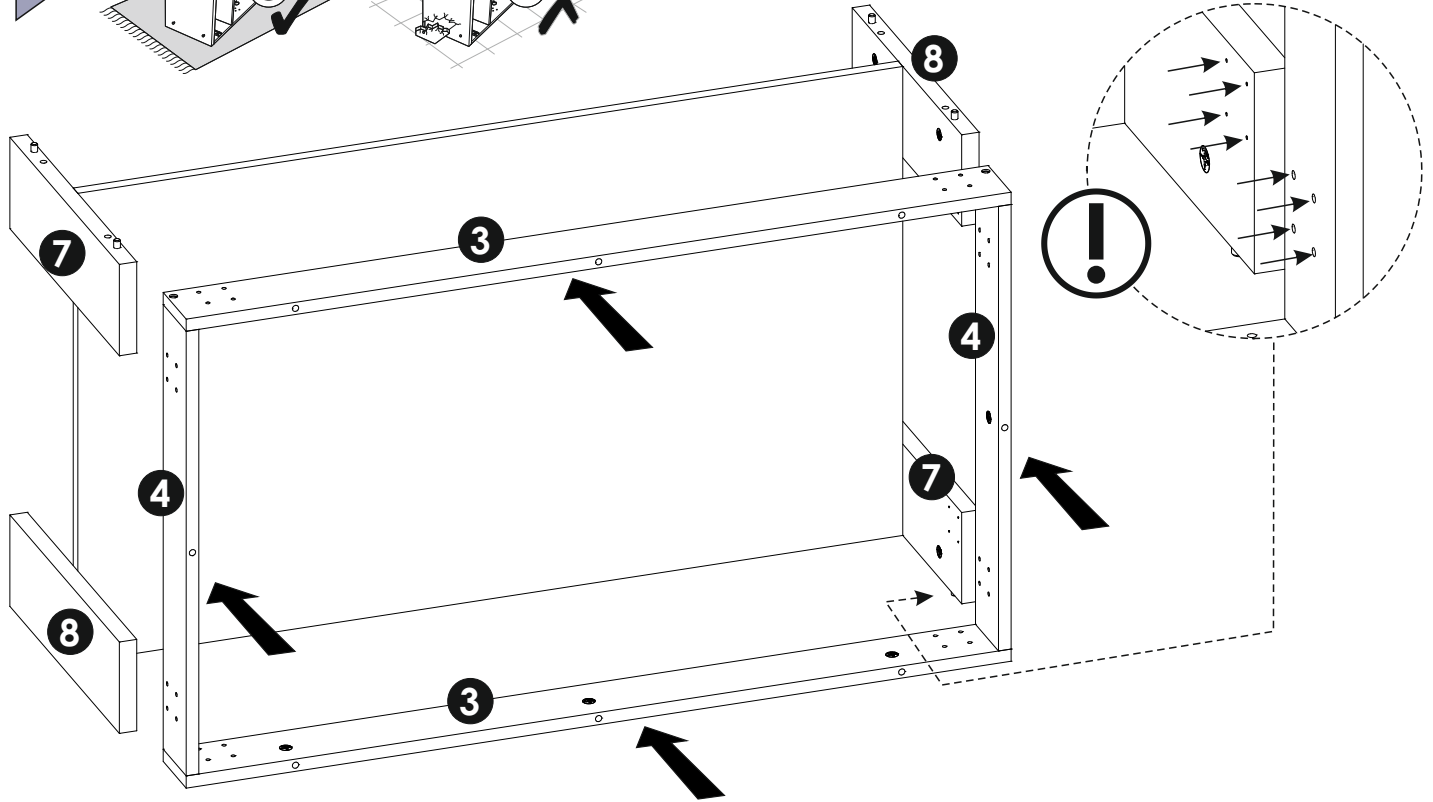
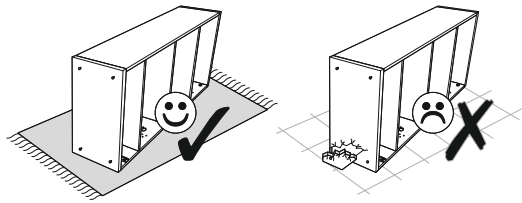
7 ▶



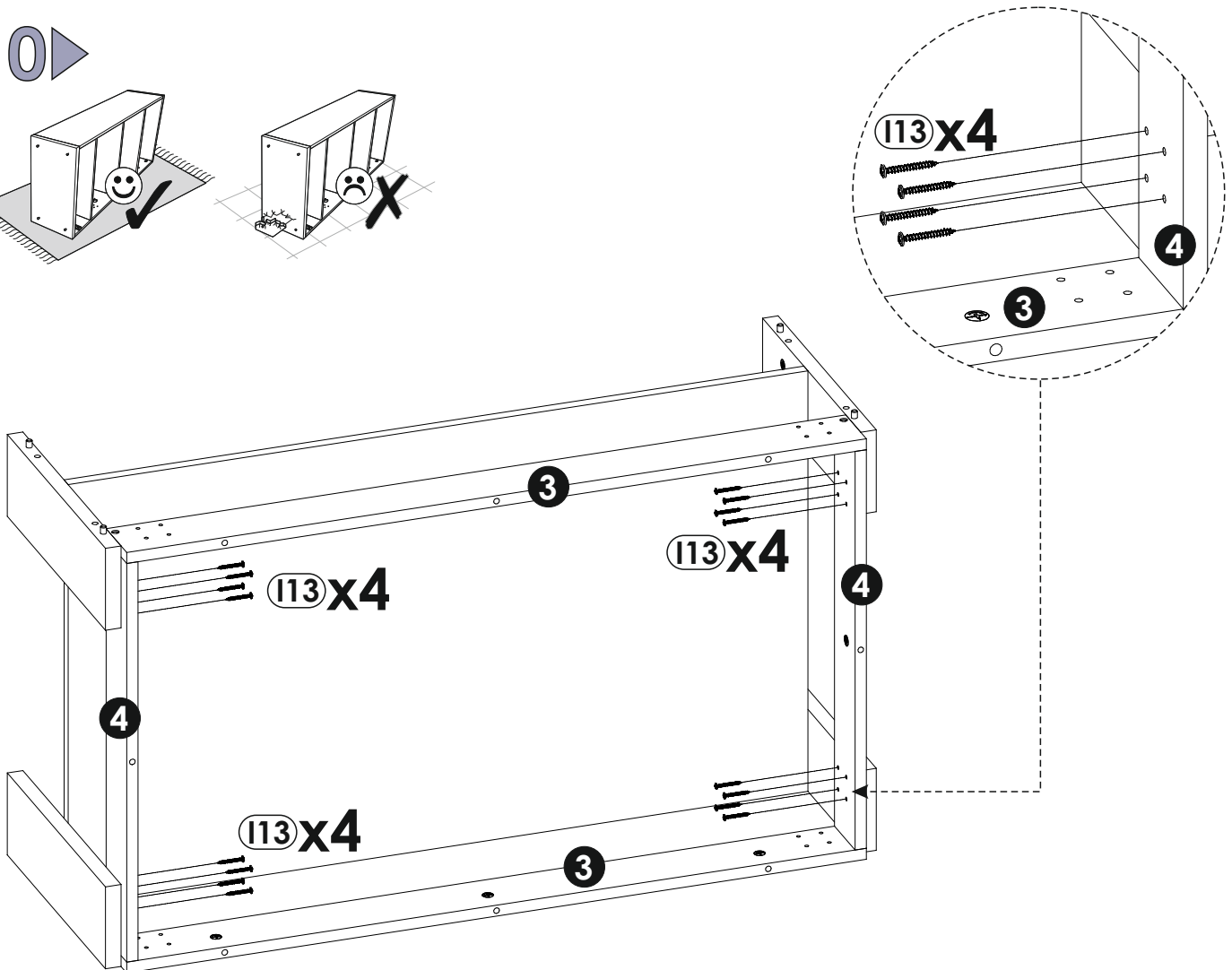
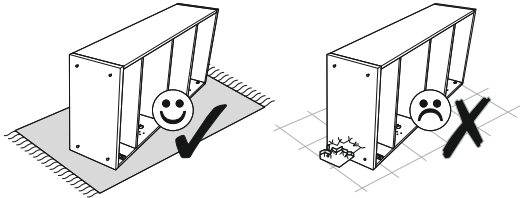
8 ▶



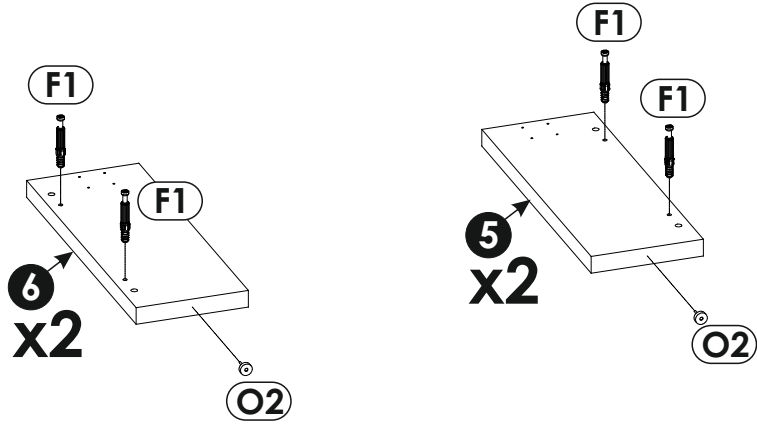
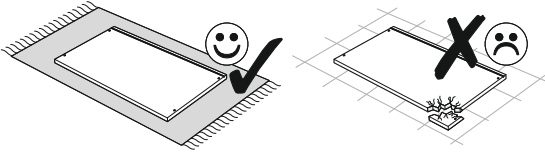
9 ▶



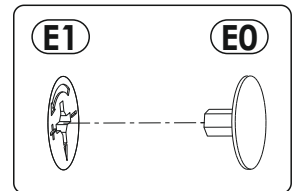
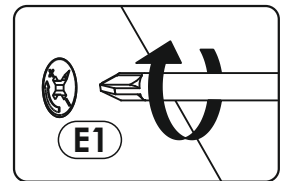
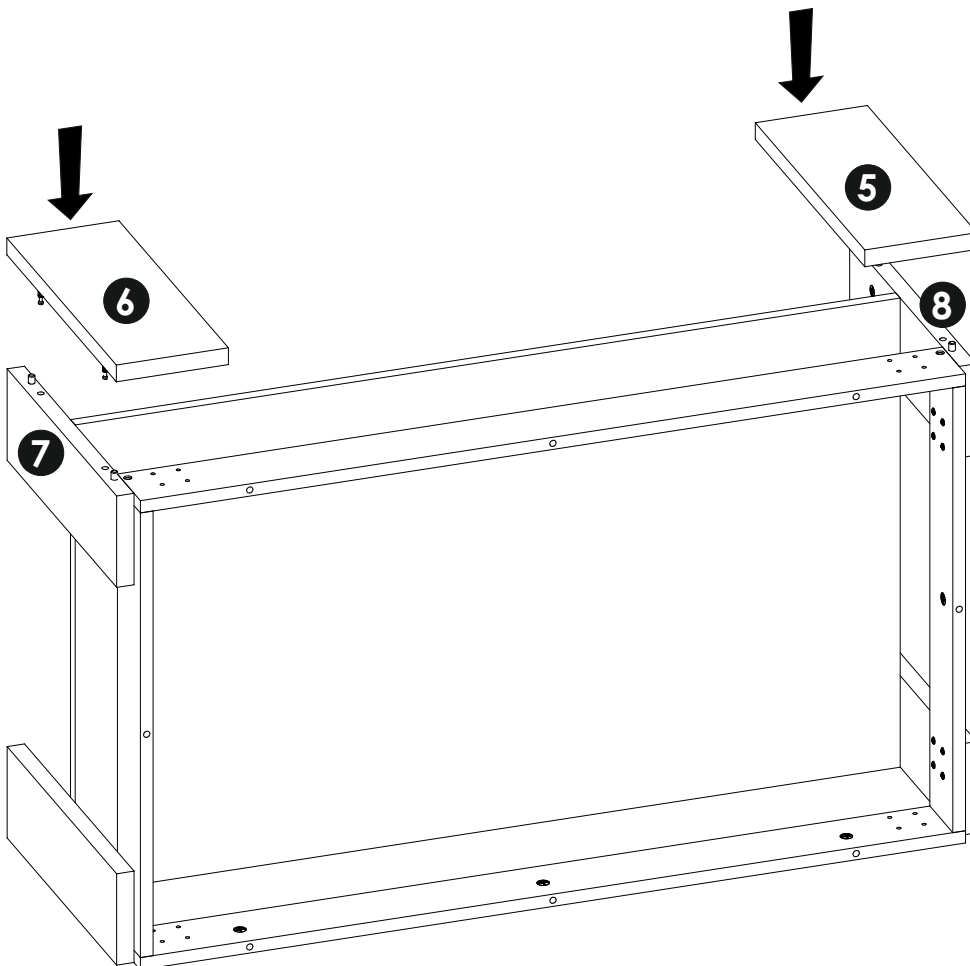
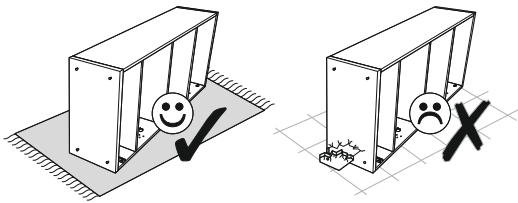
10 ▶



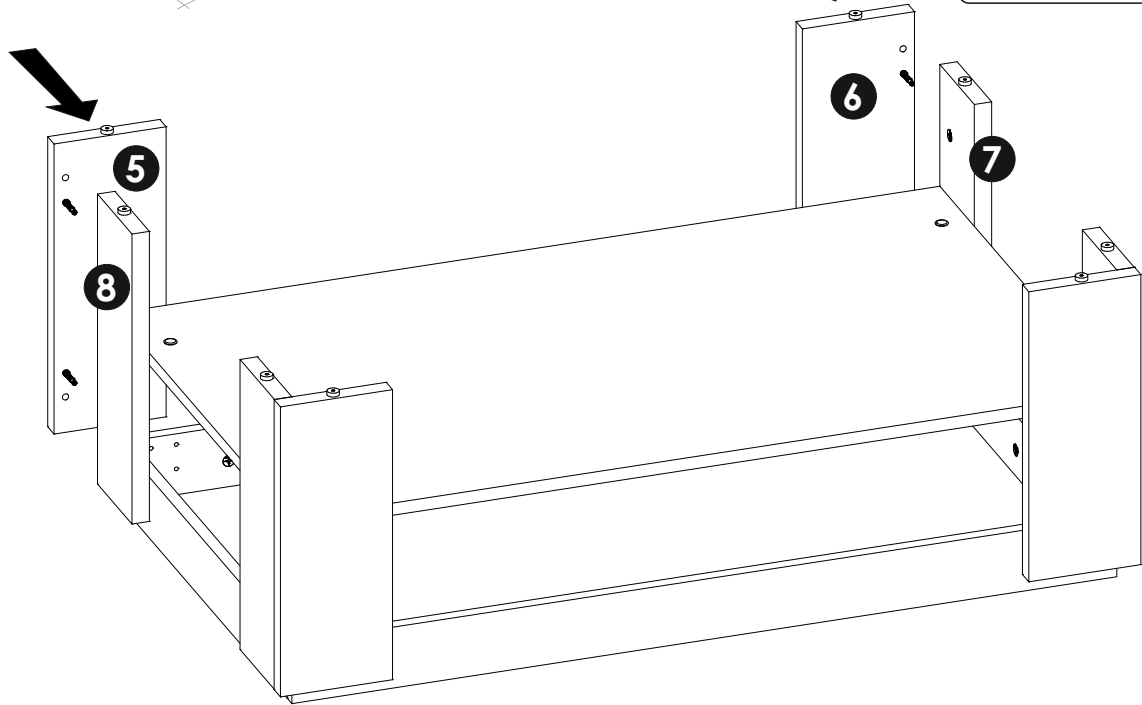
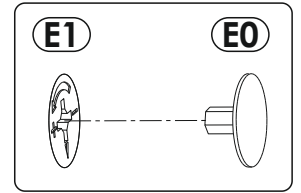
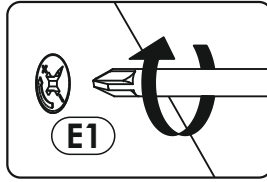
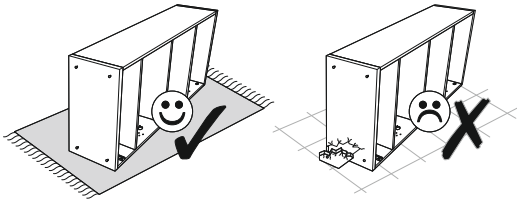
11 ▶



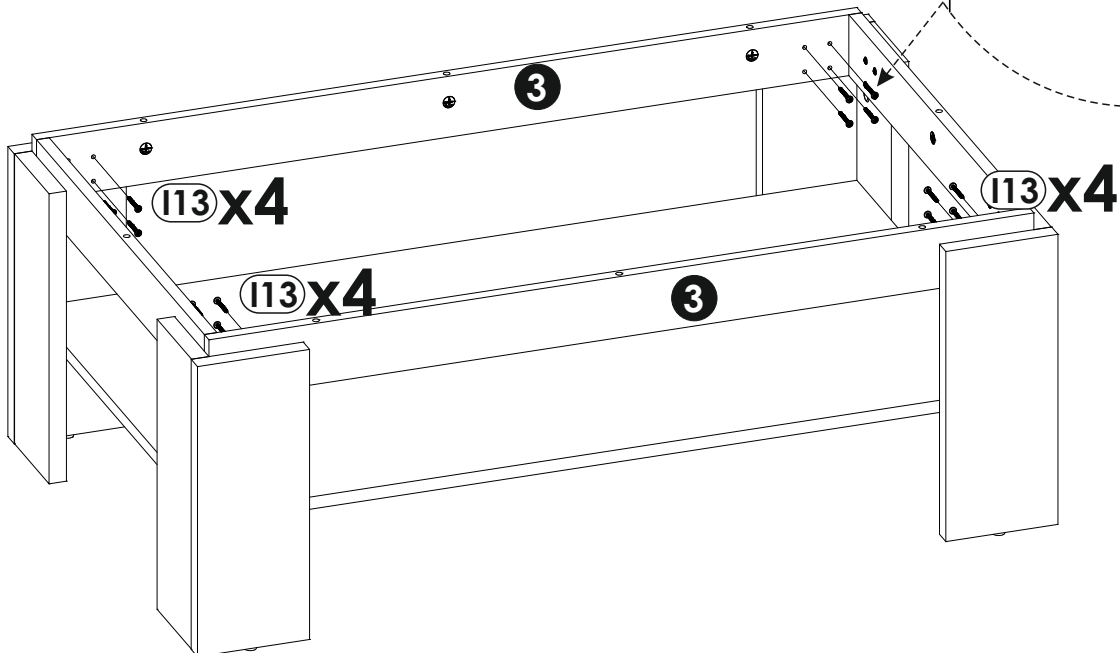
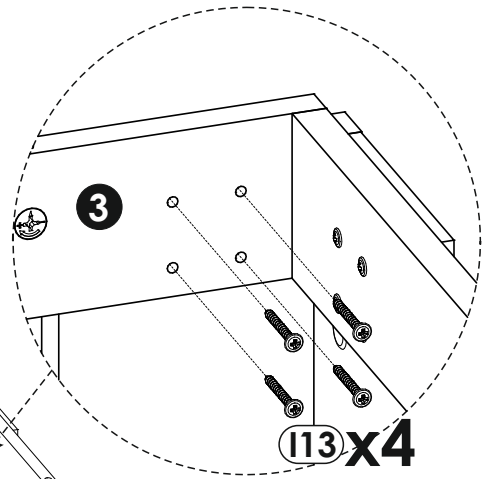
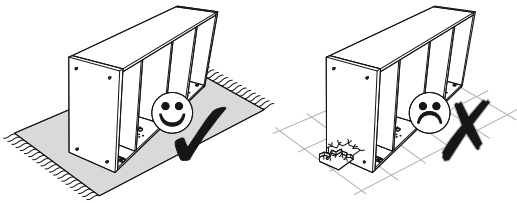
12 ▶



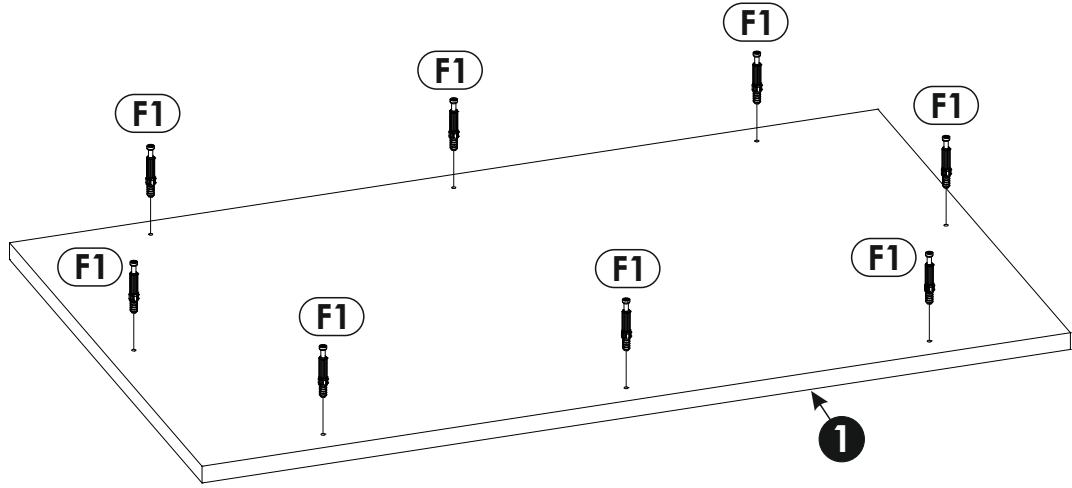
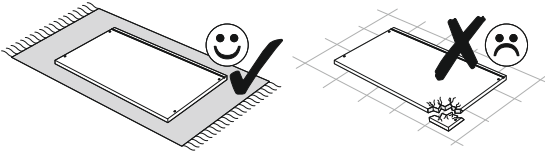
13▶



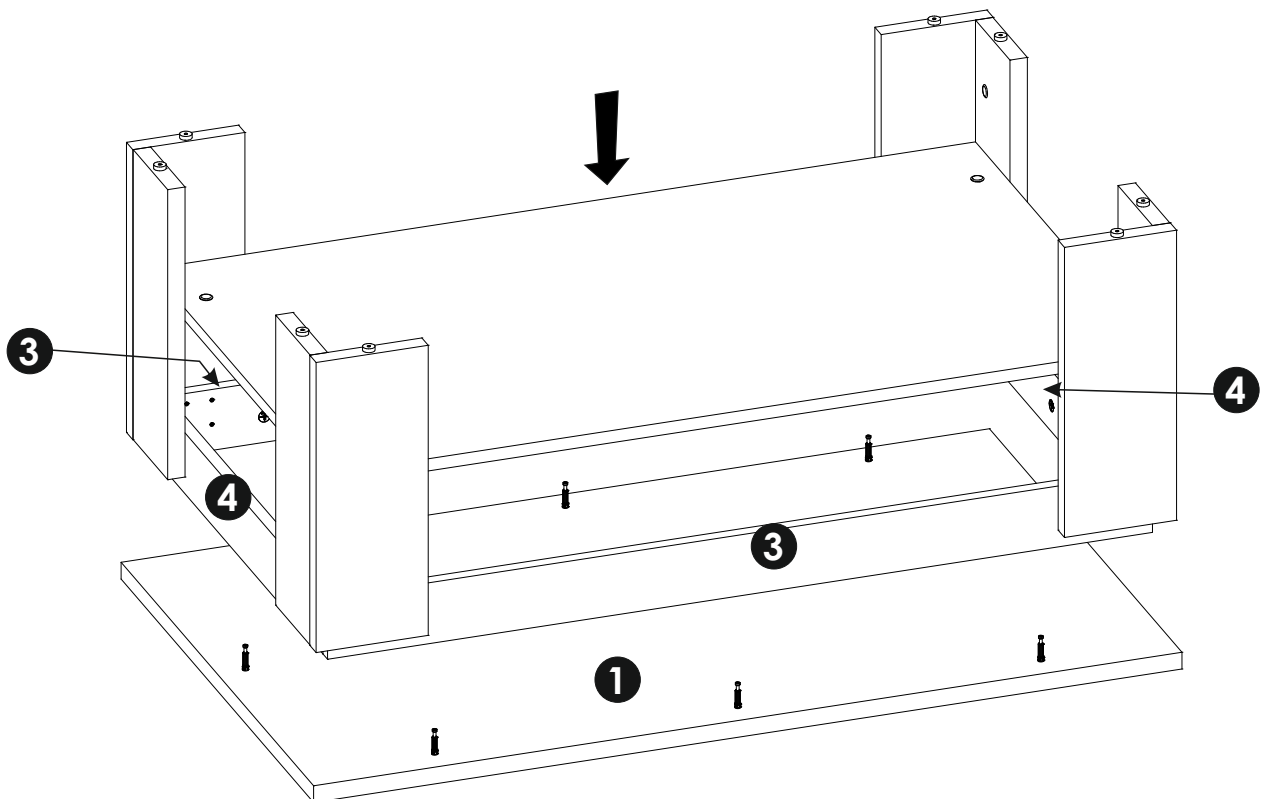
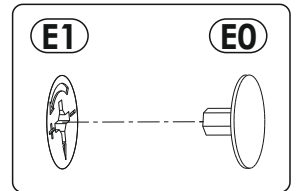
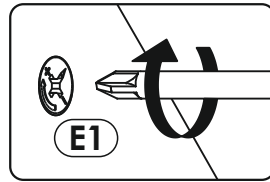
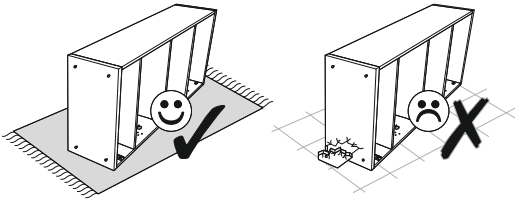
14▶



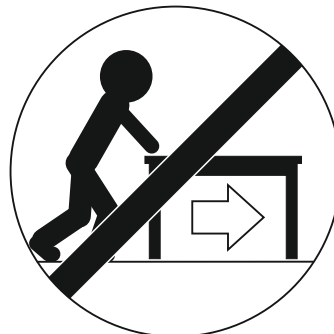
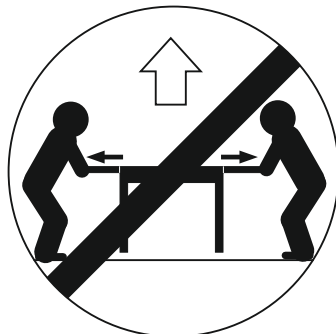
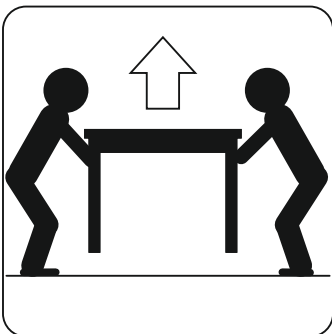
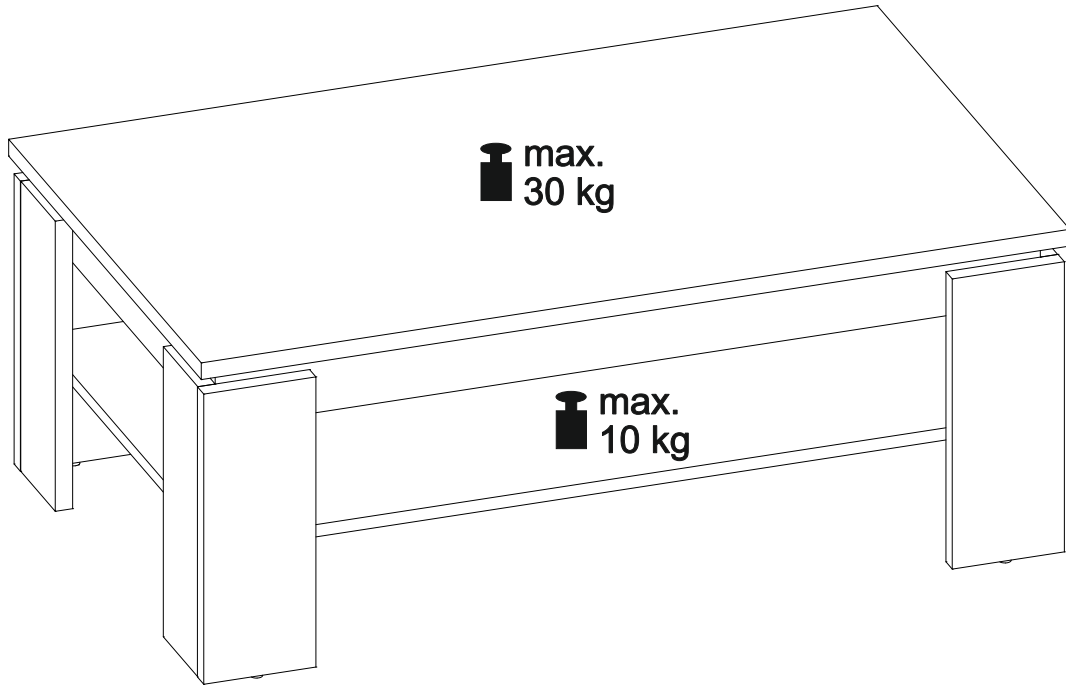
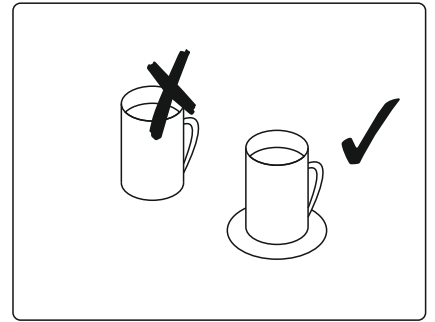
15▶

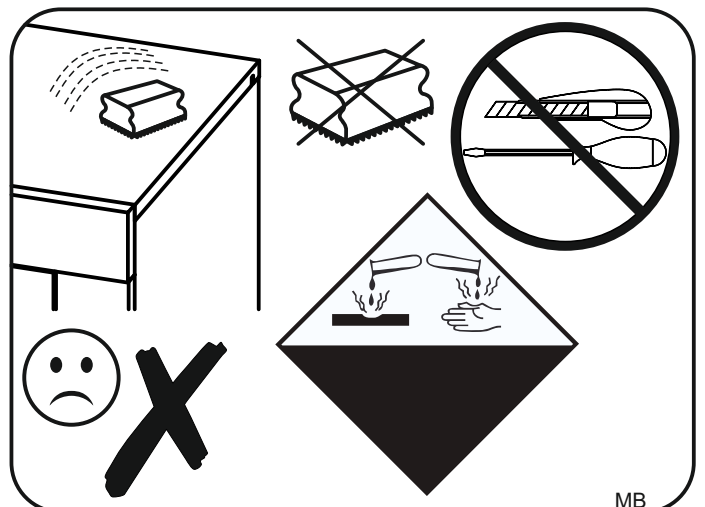
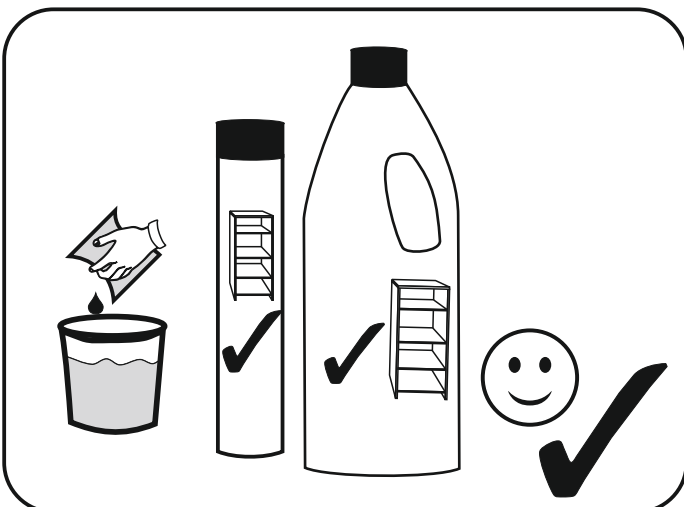
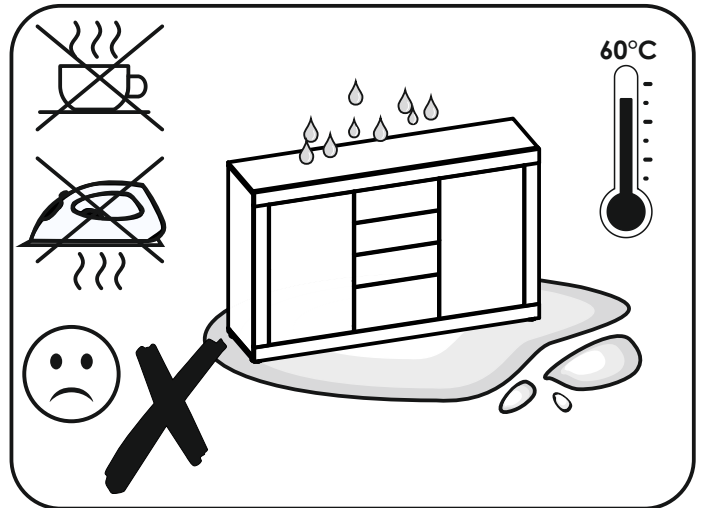
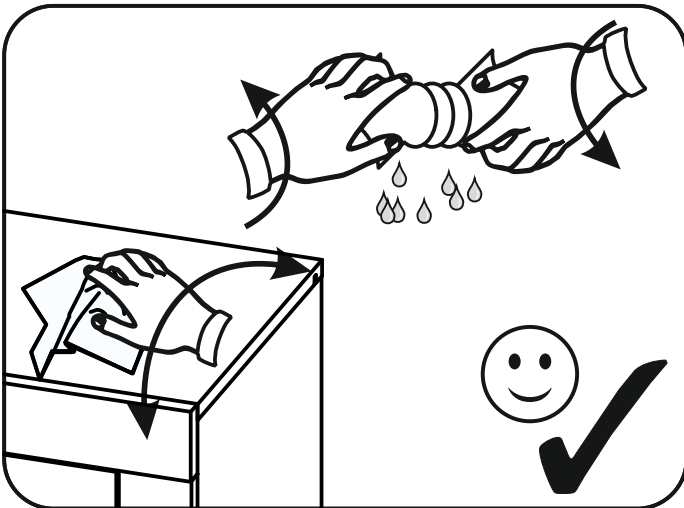
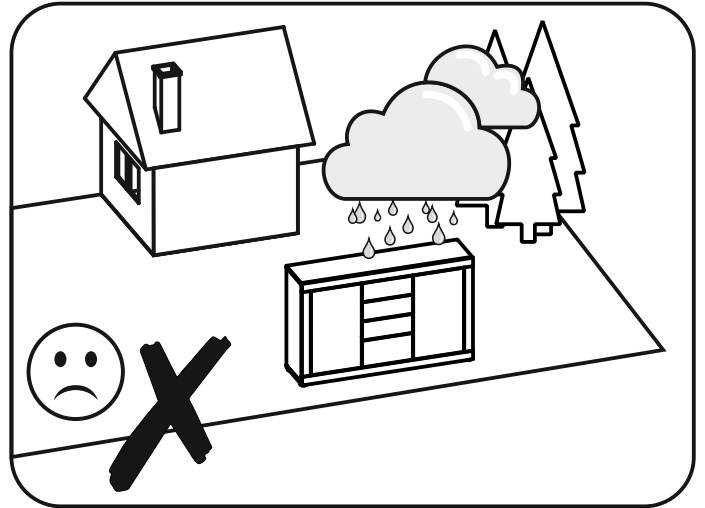
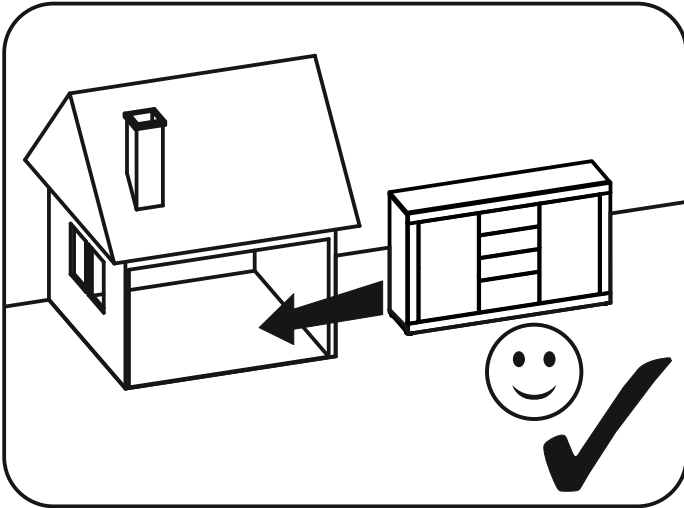
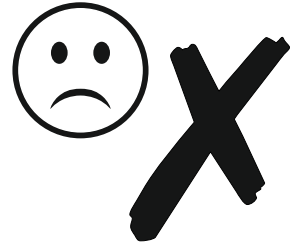


16▶



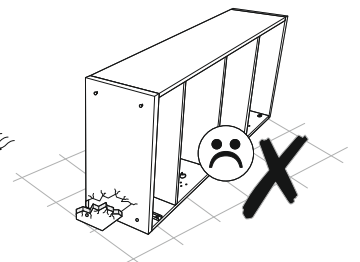
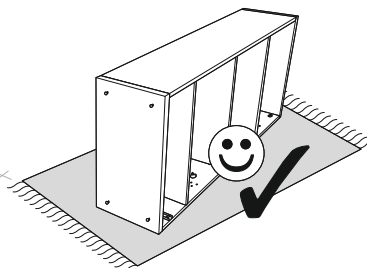
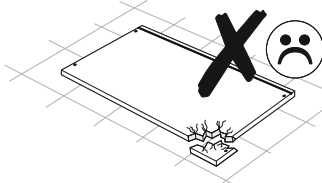
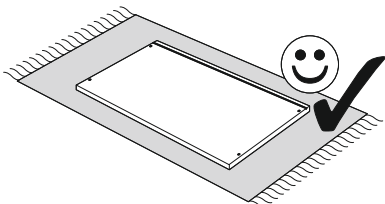
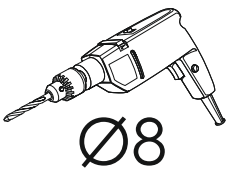
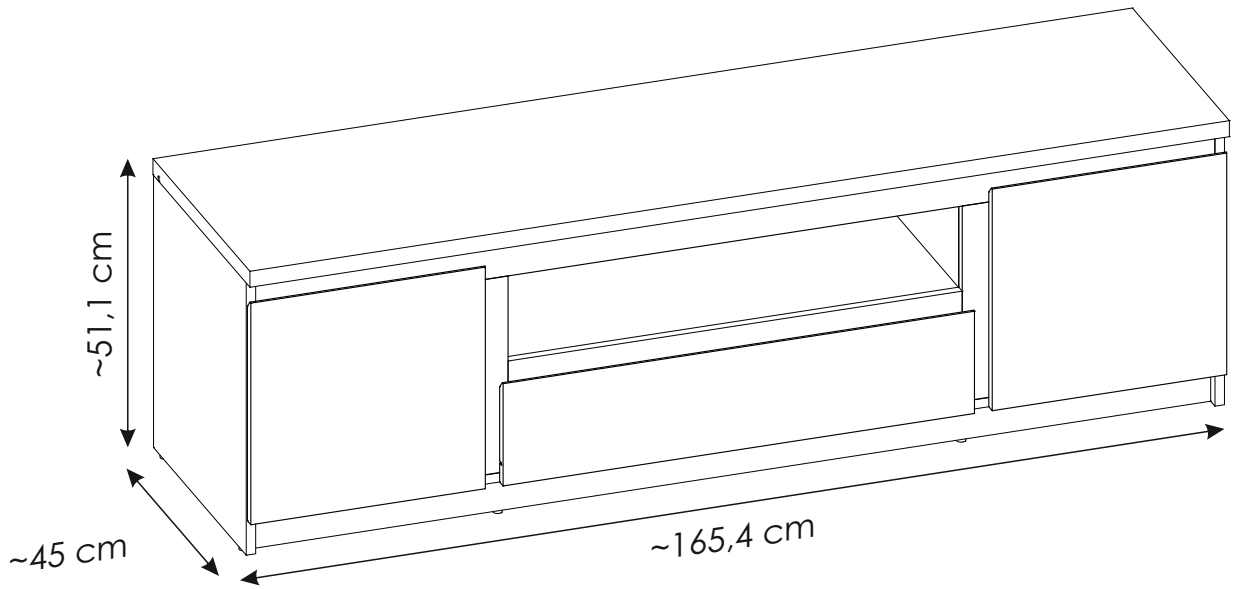
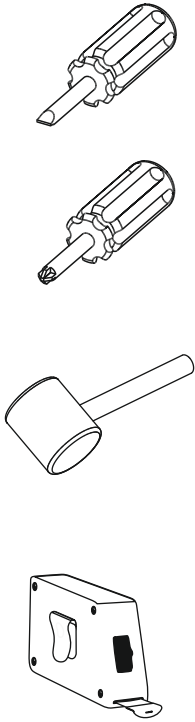
17 ▶

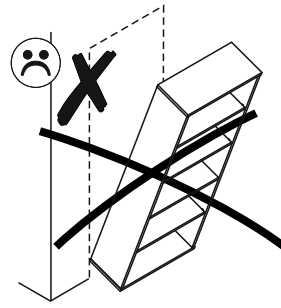
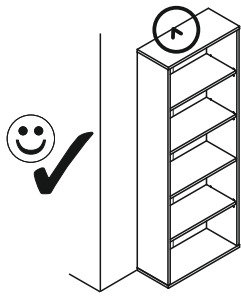


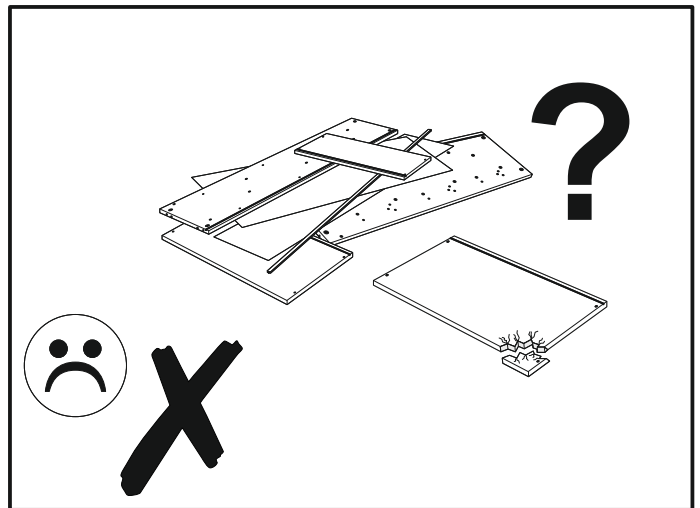
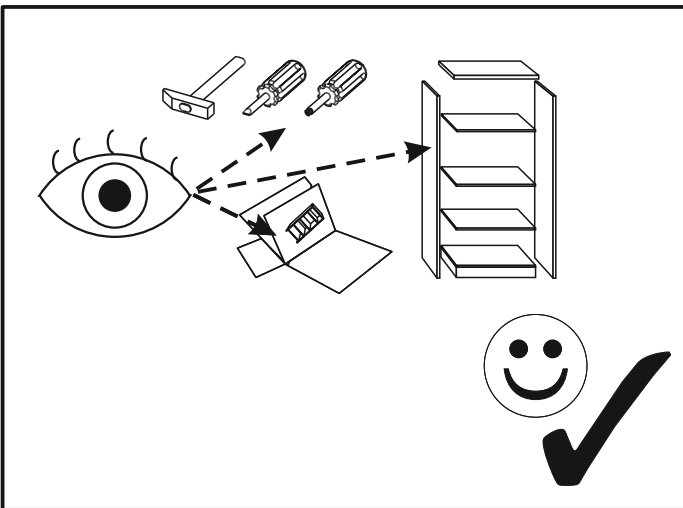
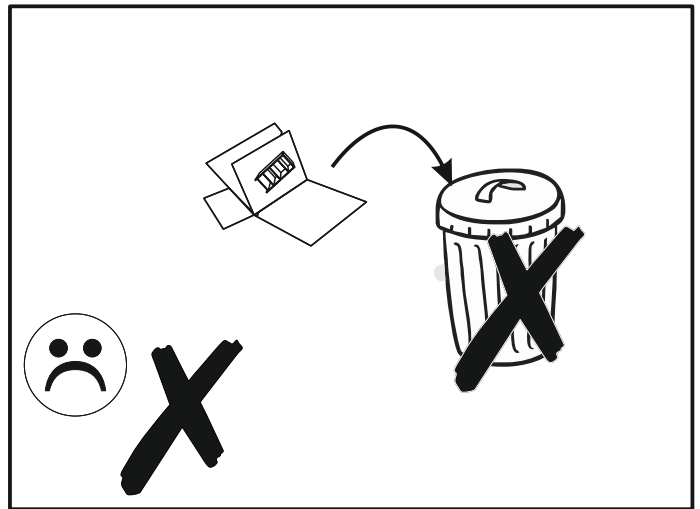
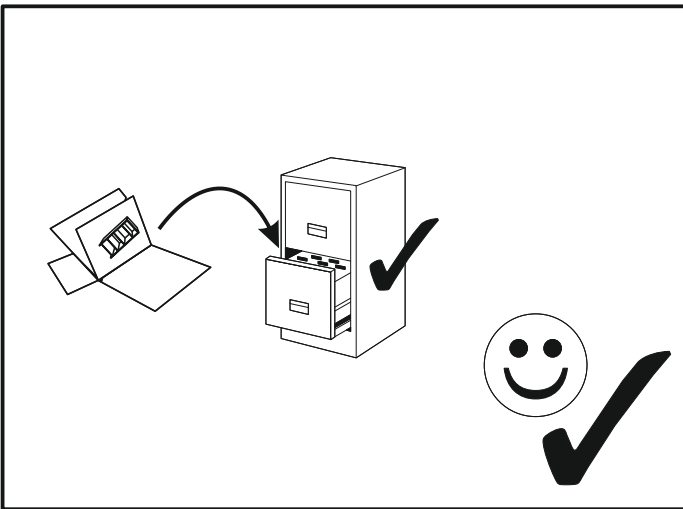
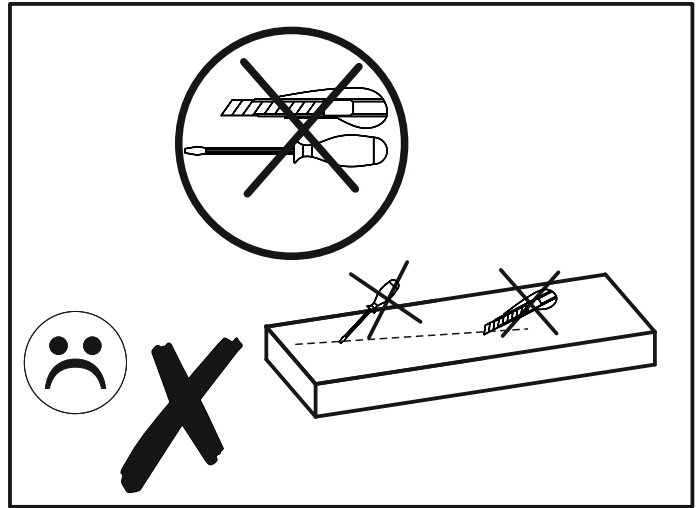
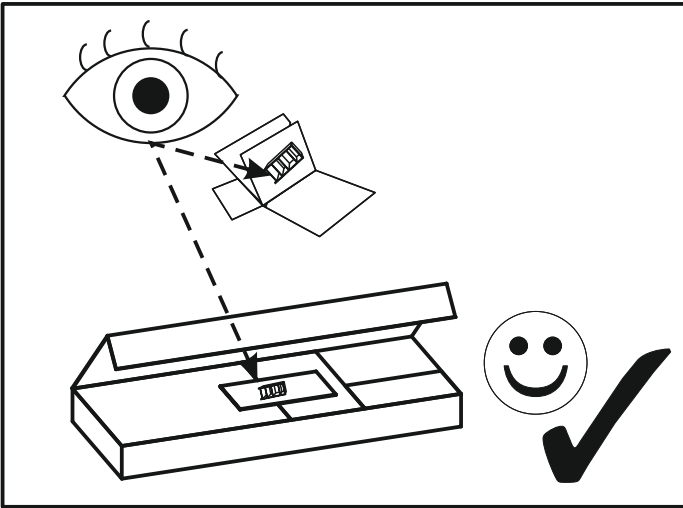


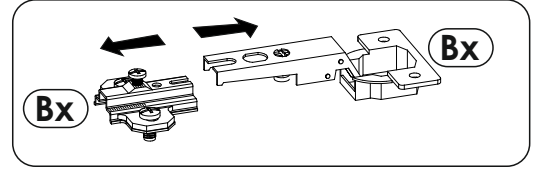
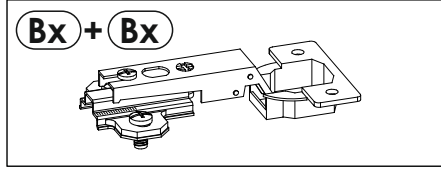
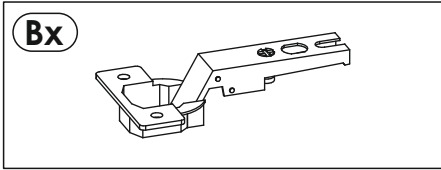
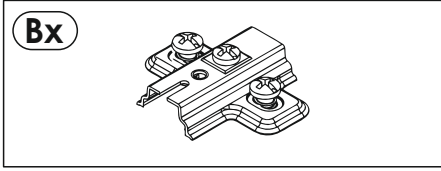


110 min









MM

260

250

240

230

220

210

200

190

180

170

160

150

140

130

120

110

100

90

80

70

60

50



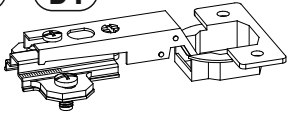


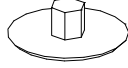

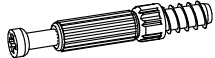
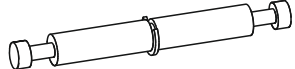

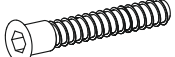
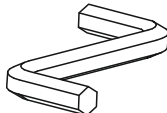
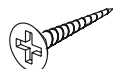
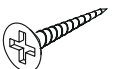
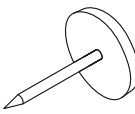
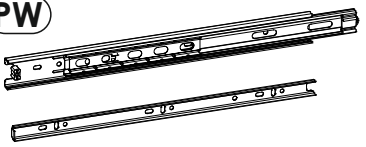
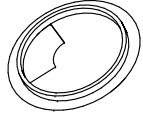
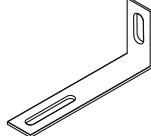
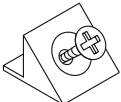
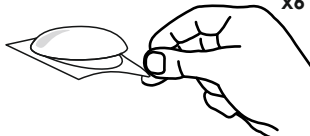
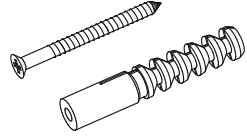
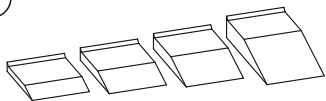
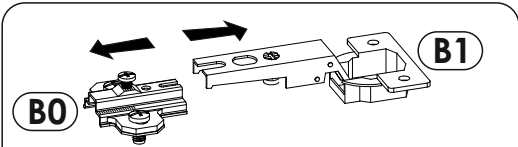
40

30

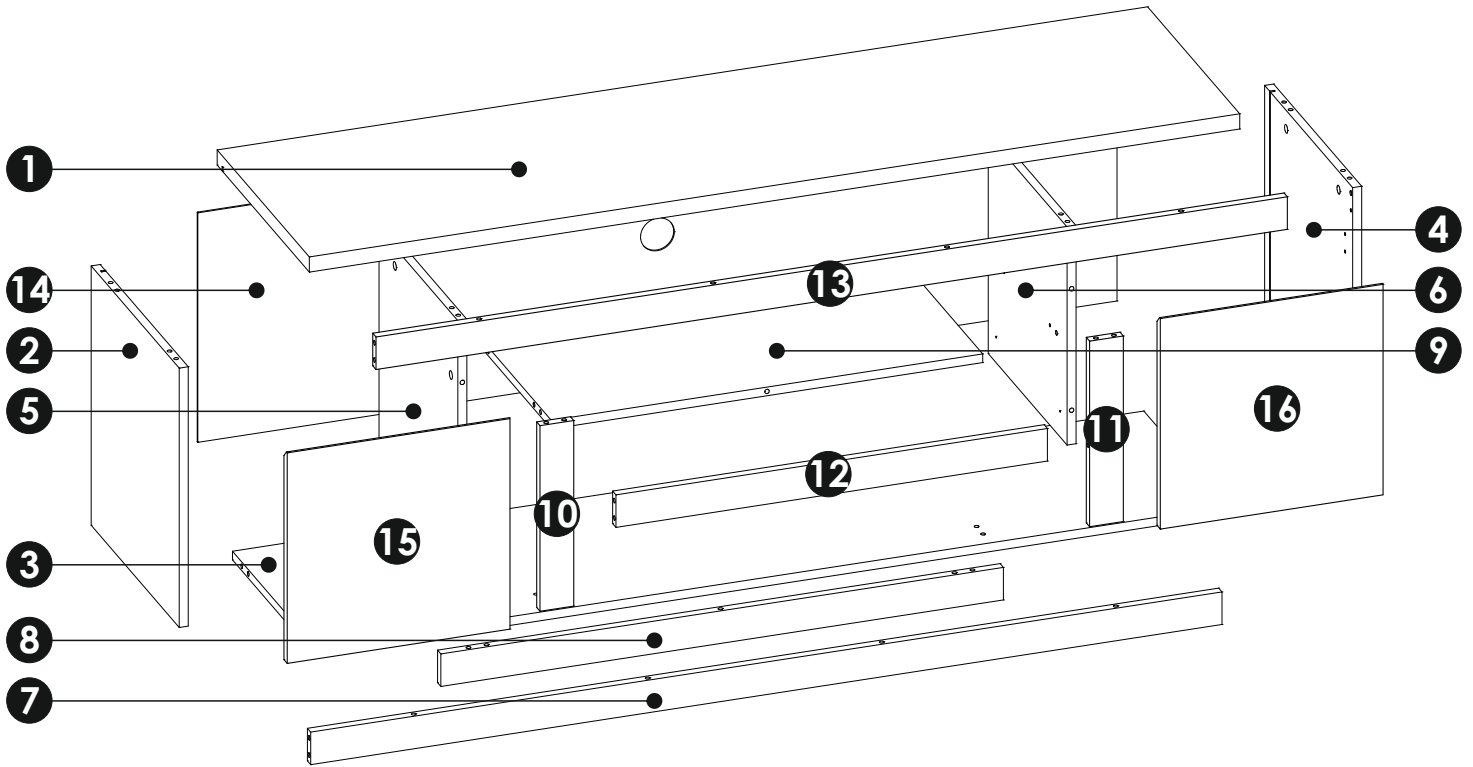
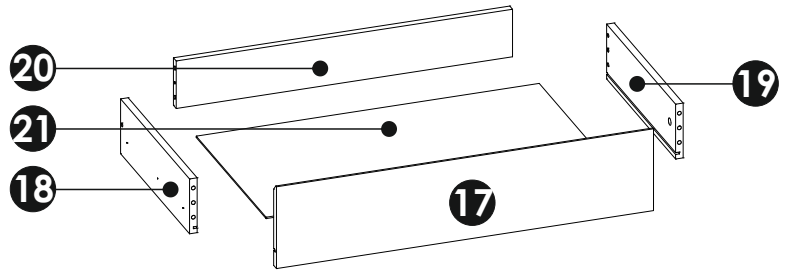
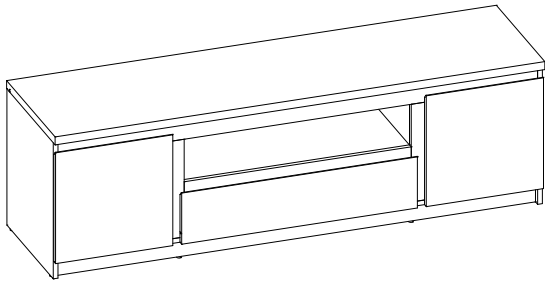
20

10

0

<p>A1 8 x 35 mm x36</p> 	<p>A2 8 x 45 mm x4</p> 	<p>B0 + B1 x4</p> 
<p>C1 4 x 13 mm x8</p> 	<p>C2 5 x 13 mm x4</p> 	<p>E0 Ø16 x14</p> 
<p>E1 15 x 12 mm x44</p> 	<p>F1 6 x 34 mm x36</p> 	<p>F3 7 x 58 mm x4</p> 
<p>I2 4 x 16 mm x2</p> 	<p>G1 7 x 50 mm x6</p> 	<p>M x1</p> 
<p>N1 3 X 16 mm x20</p> 	<p>N2 3,5 X 16 mm x6</p> 	<p>O2 x9</p> 
<p>PW x2</p> 	<p>P24 x1</p> 	<p>Q9 x2</p> 
<p>R4 x8</p> 	<p>R8 x6</p> 	<p>S13 x2</p> 
<p>Z x1</p> 	<p>B0 B1</p> 	

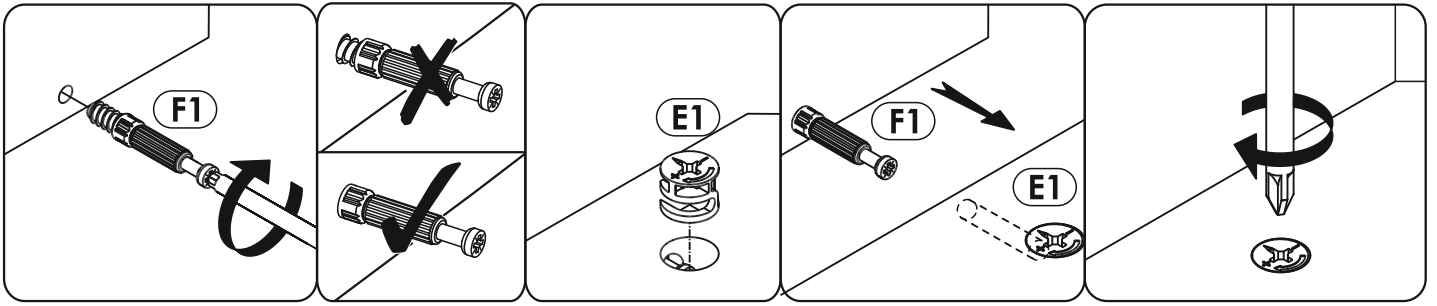




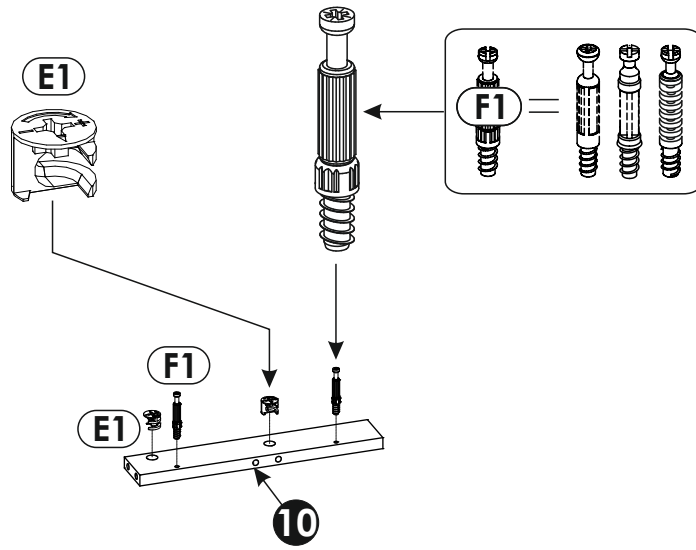
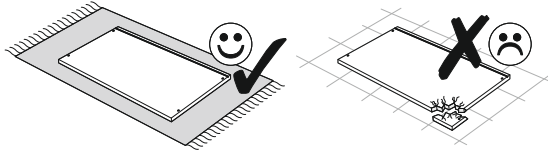
1	1654	450	28	x1	2/2
2	478	430	16	x1	1/2
3	1620	402	16	x1	2/2
4	478	430	16	x1	1/2
5	402	385	16	x1	1/2
6	402	385	16	x1	1/2
7	1620	60	16	x1	2/2

8	1000	60	16	x1	2/2
9	767	385	16	x1	1/2
10	342	60	16	x1	1/2
11	342	60	16	x1	1/2
12	767	60	16	x1	1/2
13	1620	60	16	x1	2/2
14	423	1634	3	x1	2/2

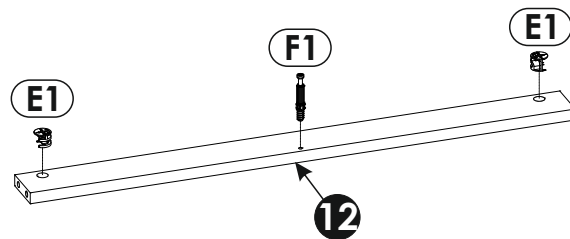
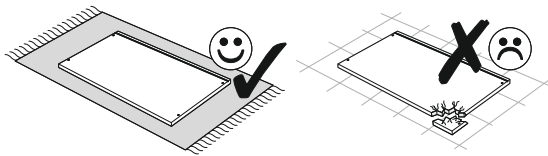
15	388	396	16	x1	1/2
16	388	396	16	x1	1/2
17	796	179	16	x1	1/2
18	400	120	16	x1	1/2
19	400	120	16	x1	1/2
20	710	104	16	x1	1/2
21	724	405	3	x1	1/2



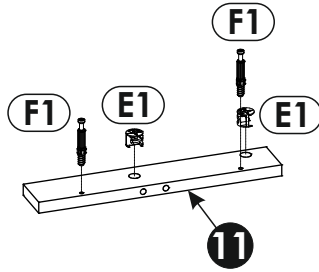
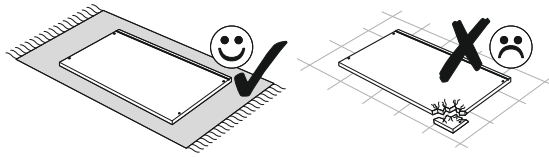
1 ▶



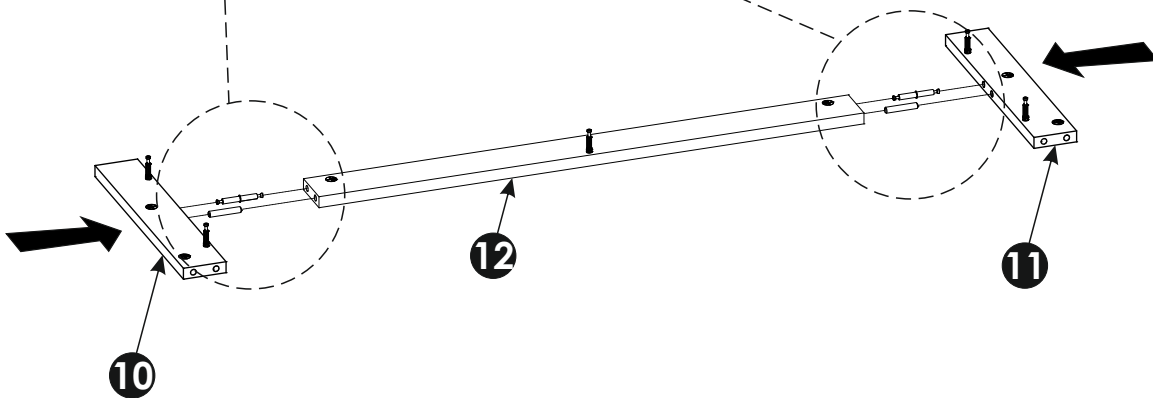
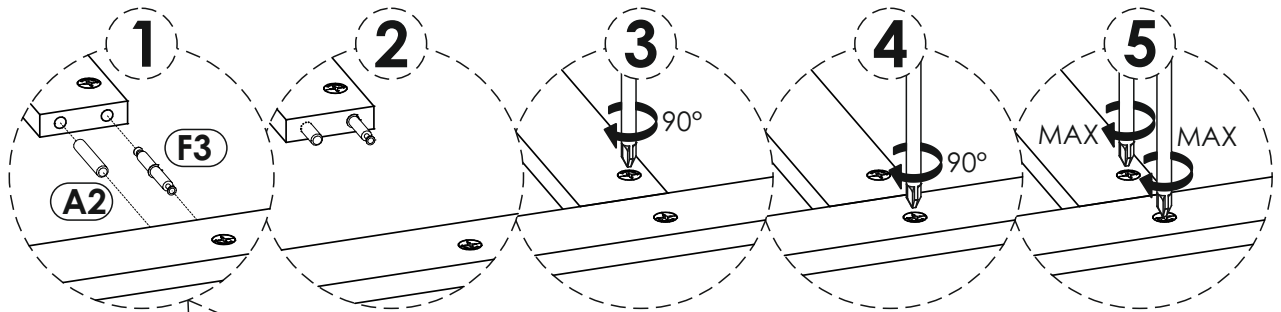
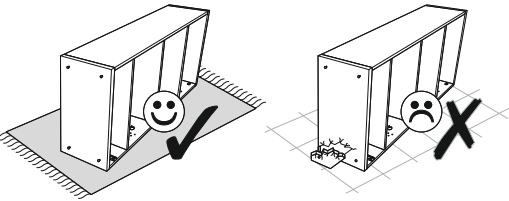
2 ▶



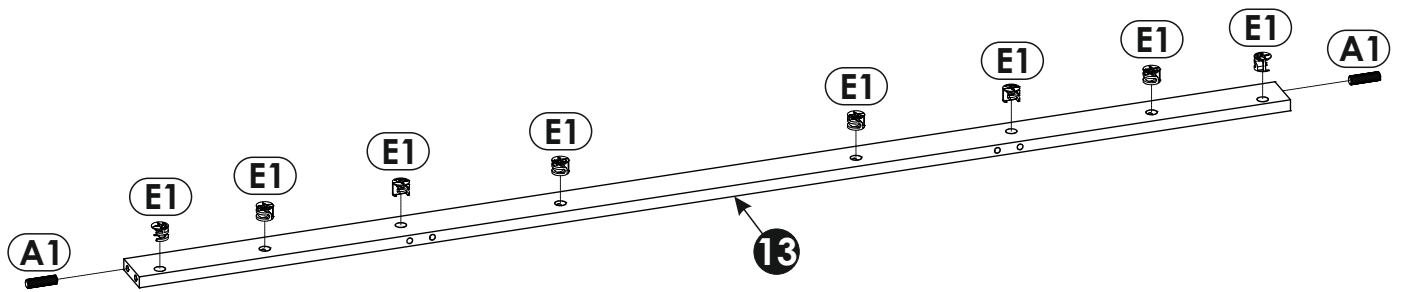
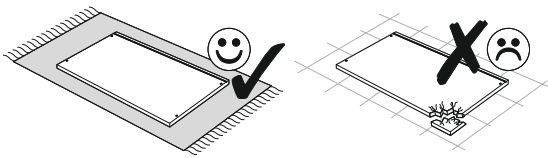
3 ▶



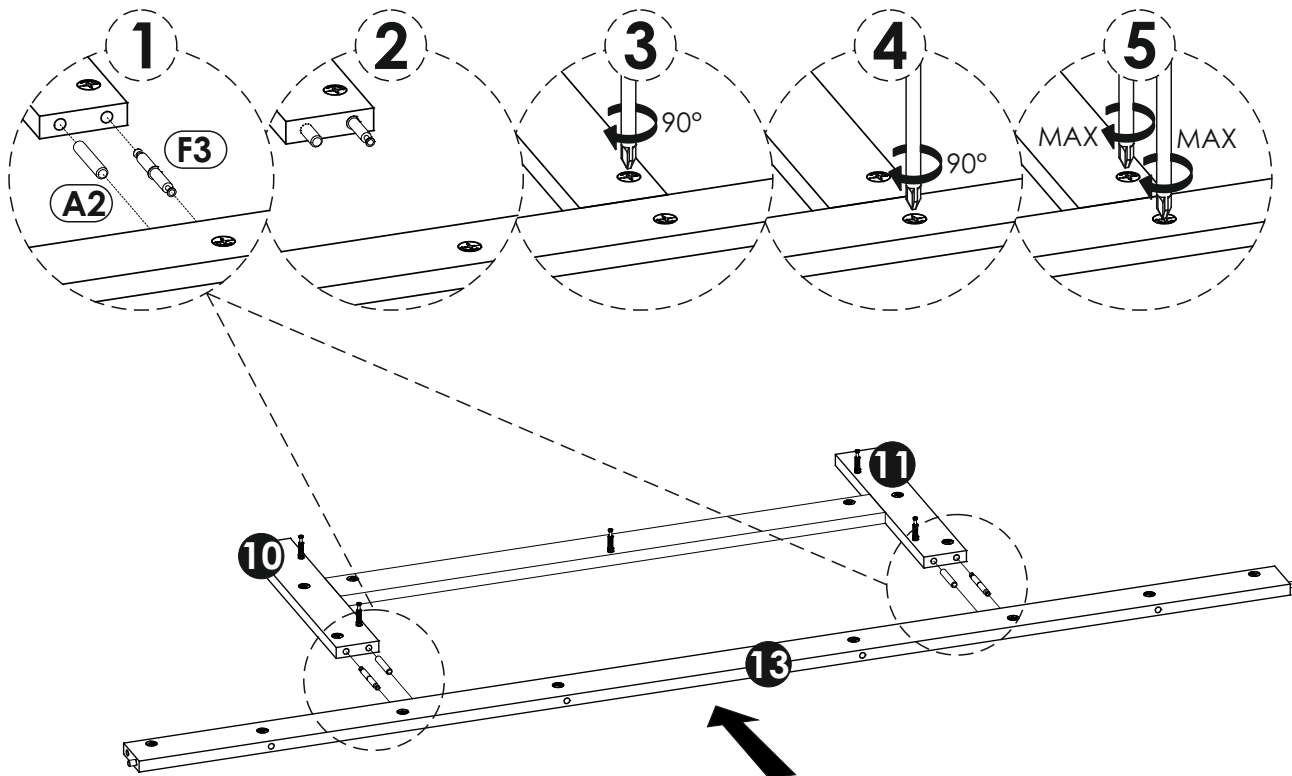
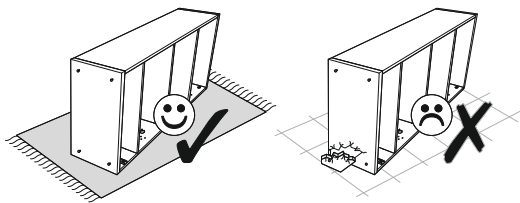
4 ▶

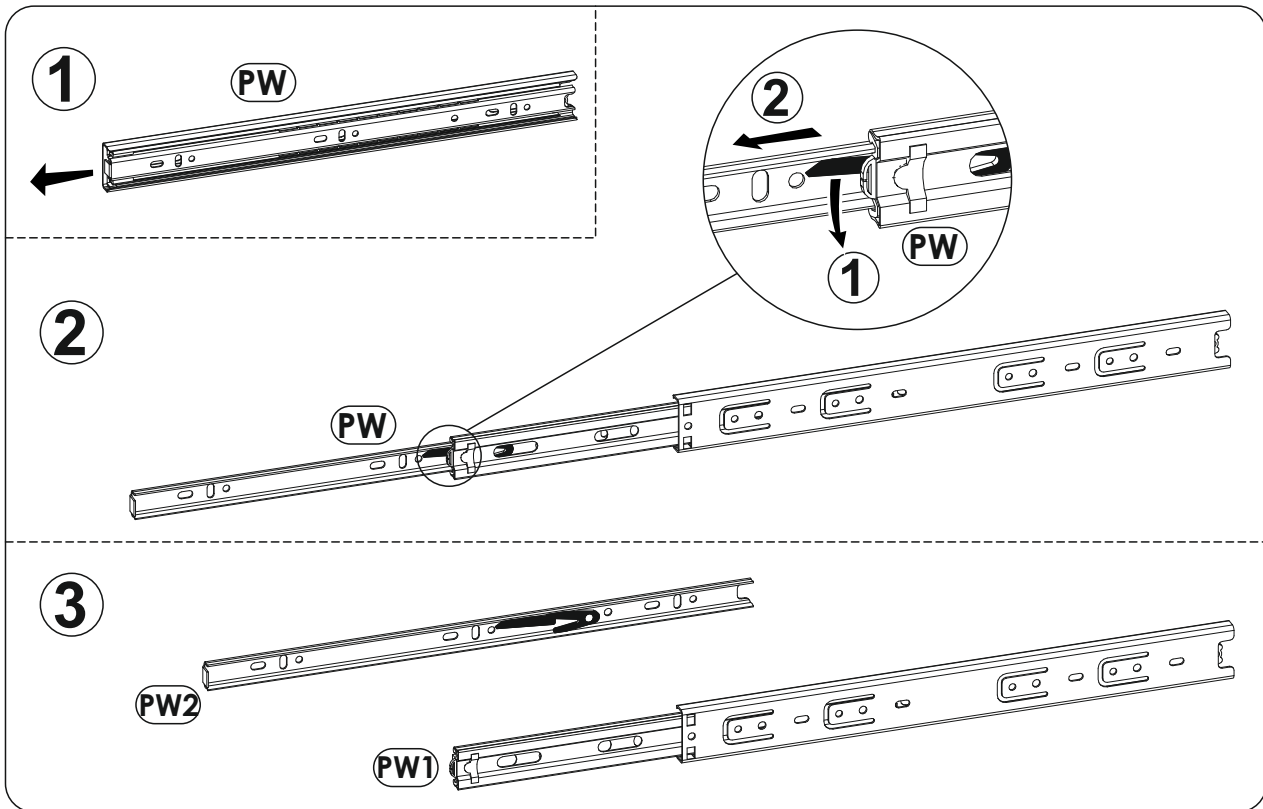


5 ▶

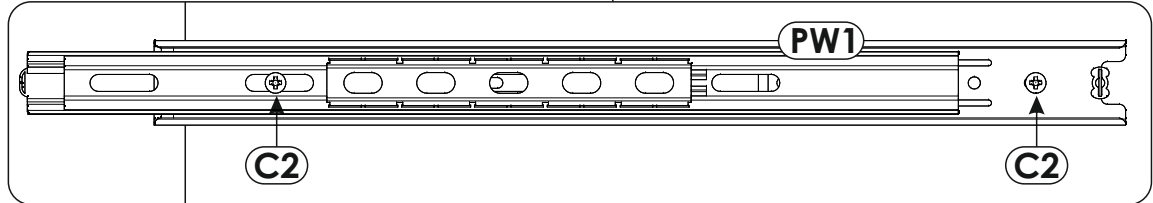
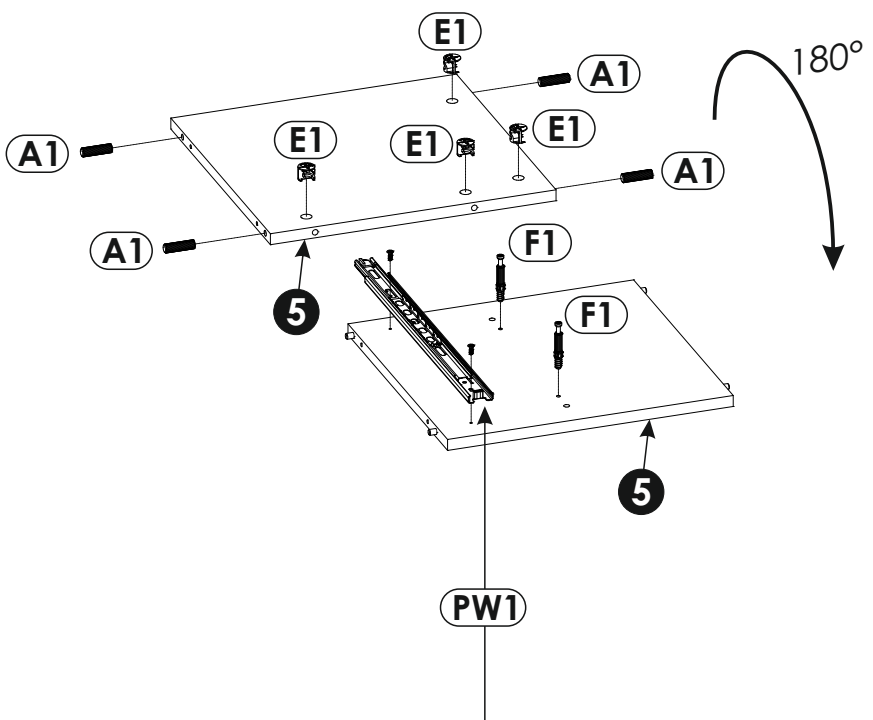
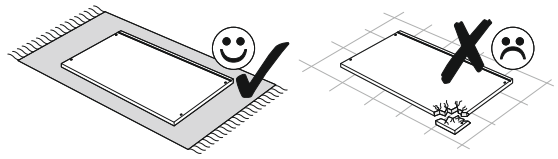


6 ▶

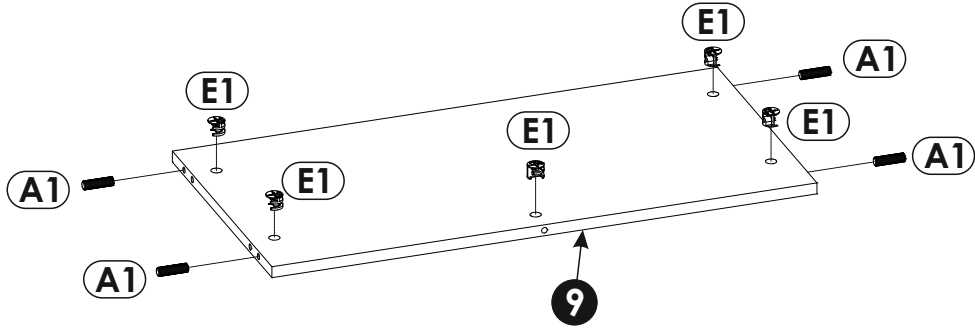
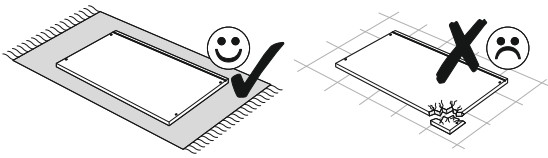




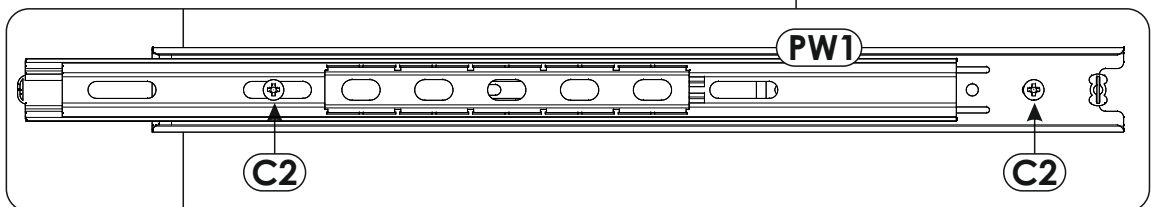
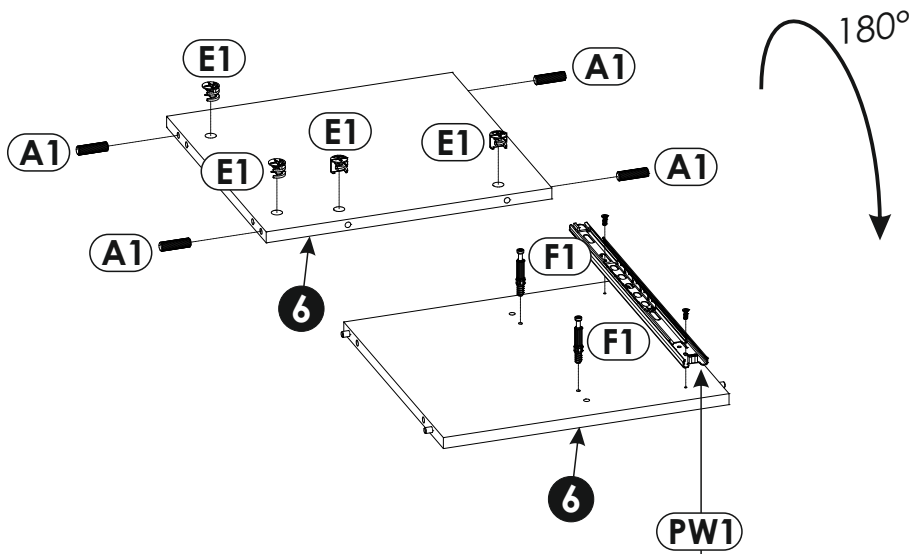
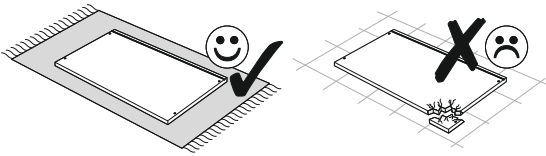
7 ➤



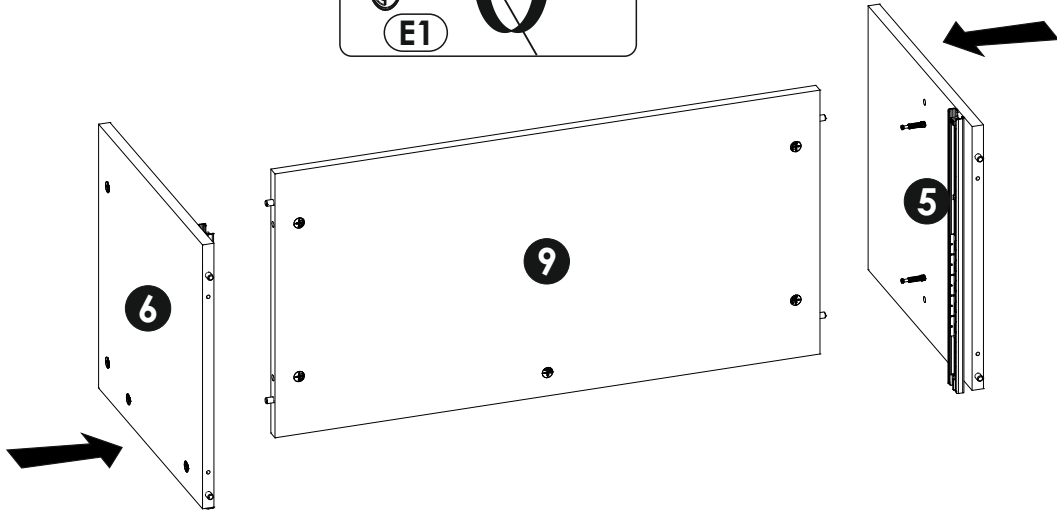
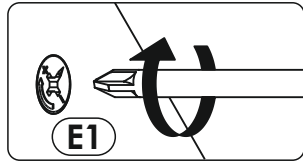
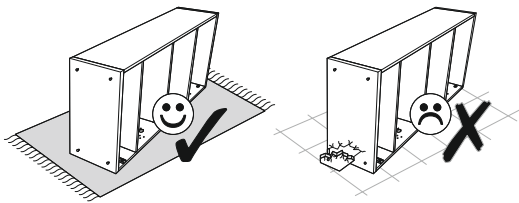
8 ▶



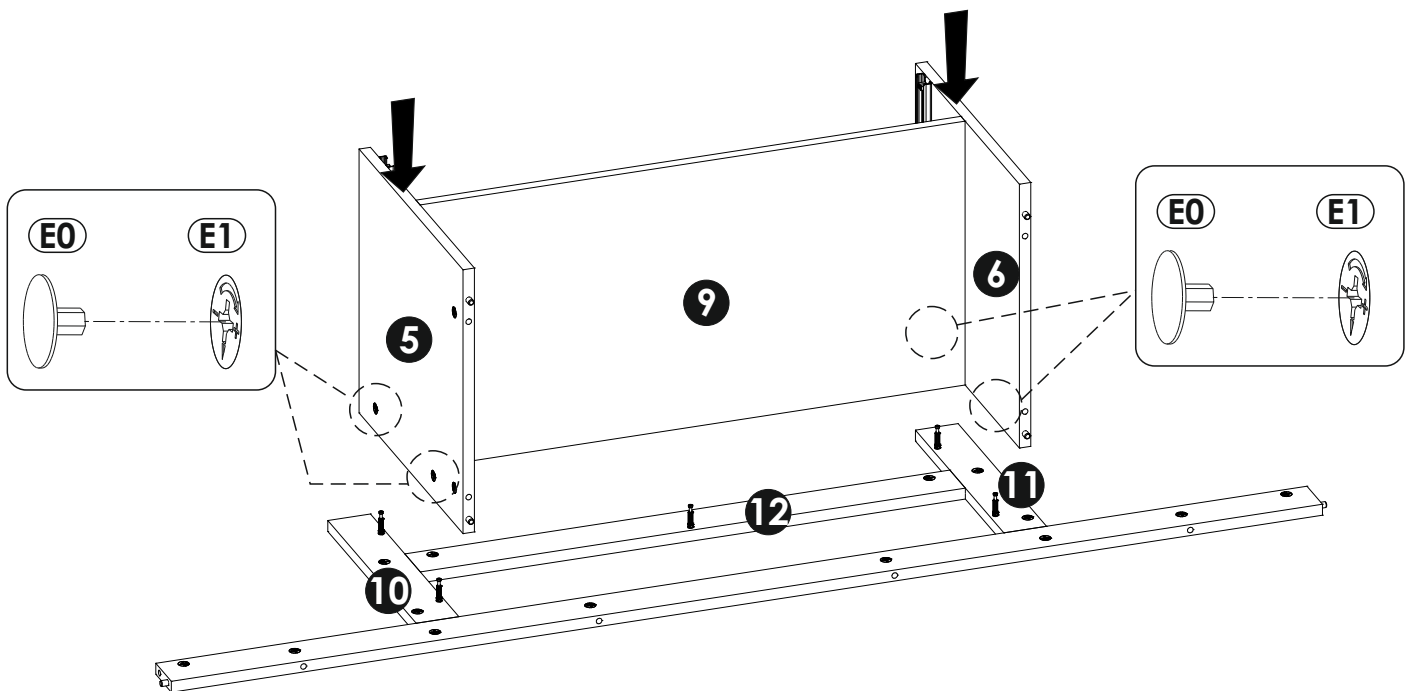
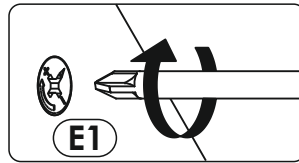
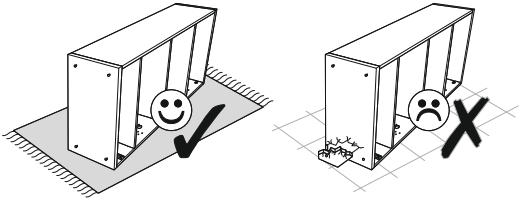
9 ▶



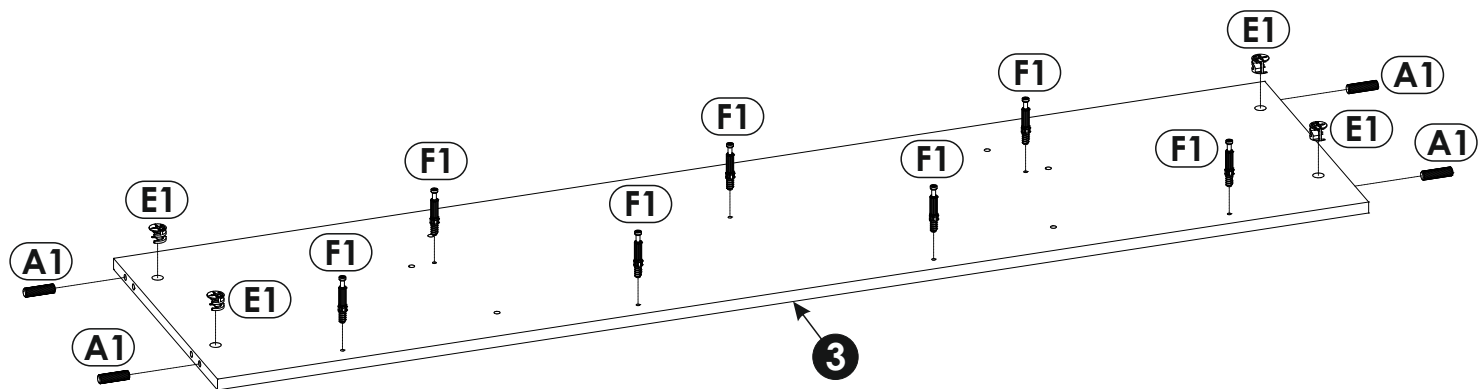
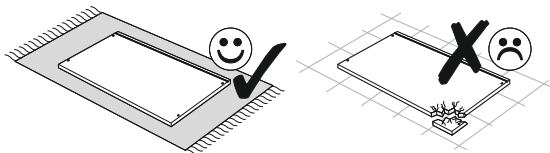
10 ▶



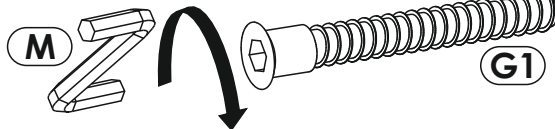
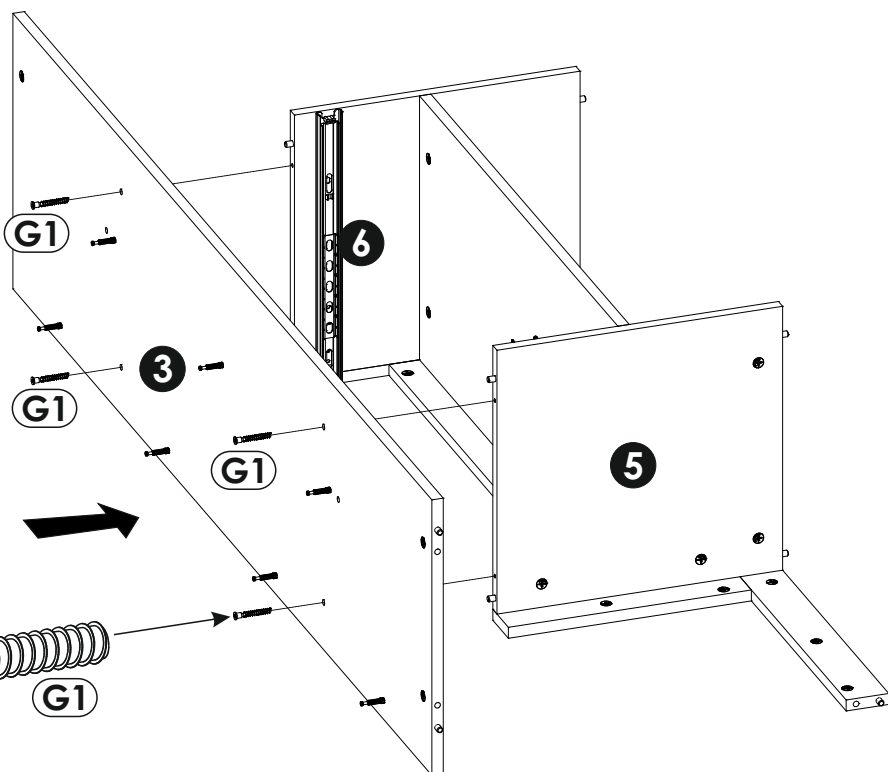
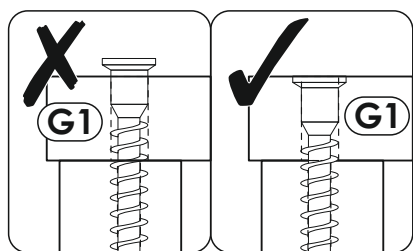
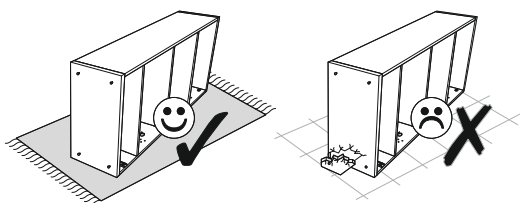
11 ▶



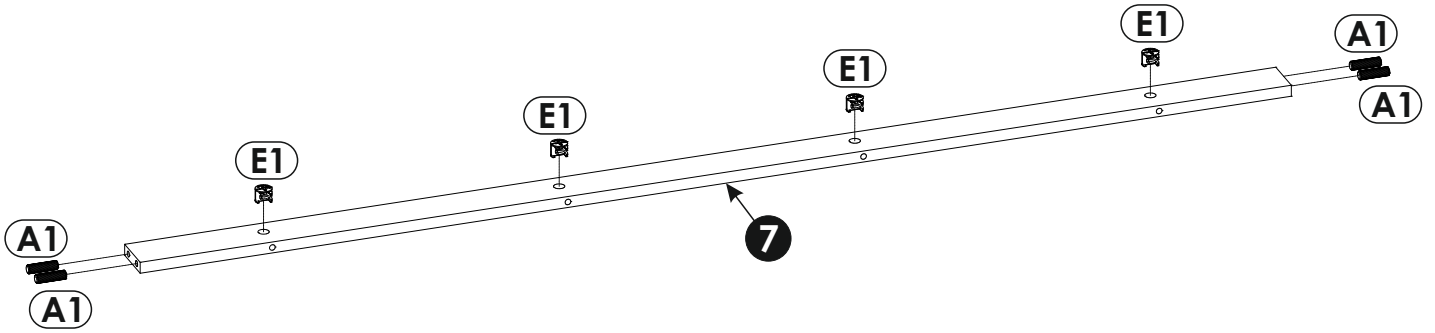
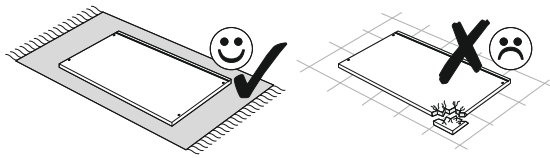
12 ▶



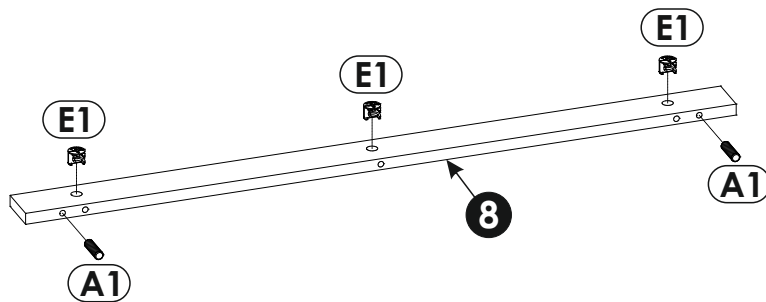
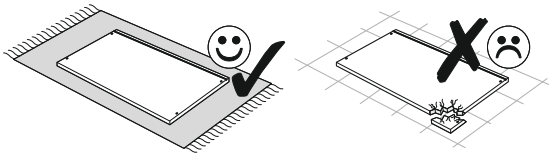
13 ▶



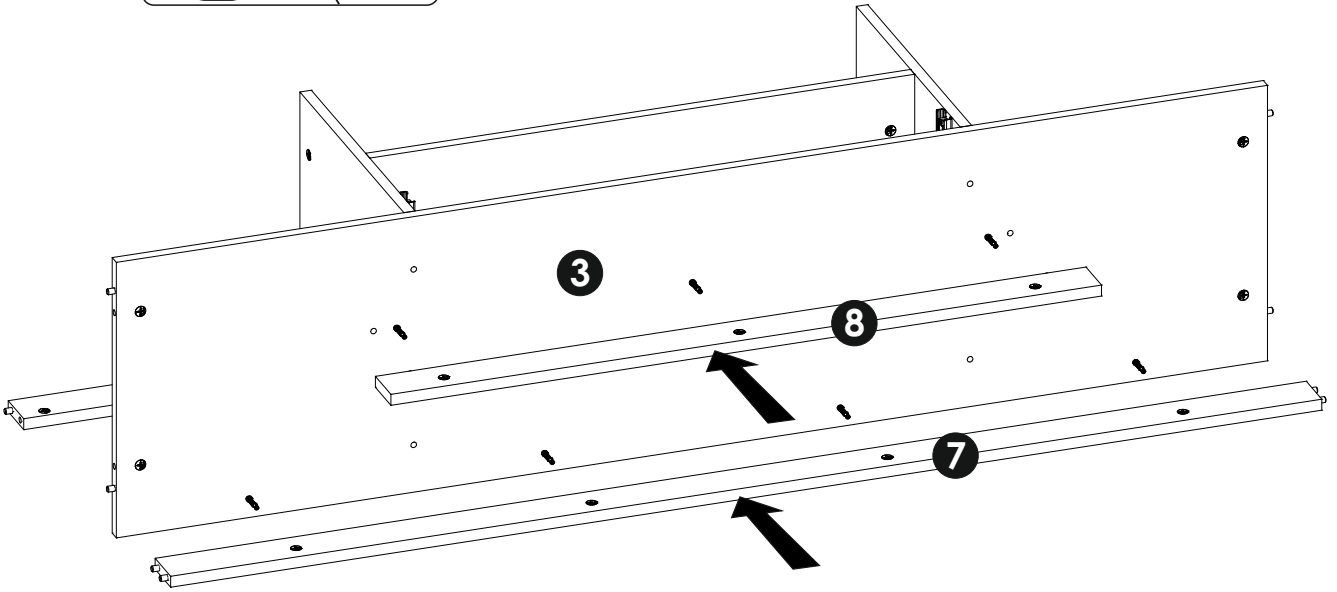
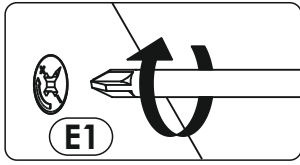
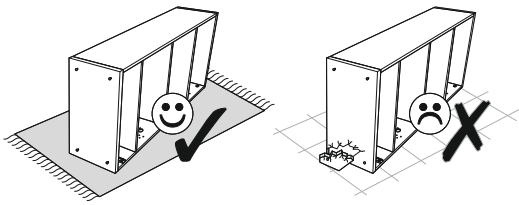
14▶



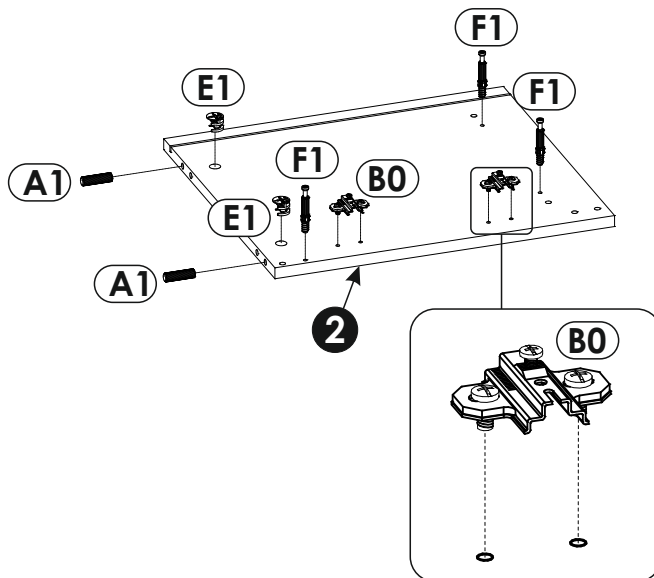
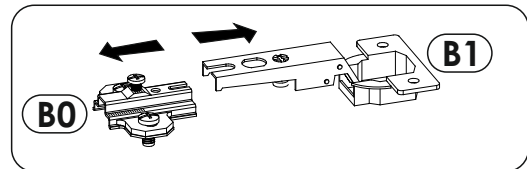
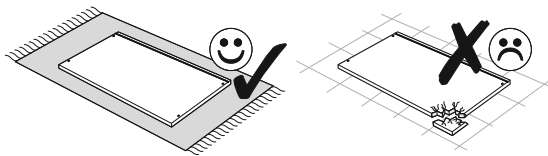
15▶



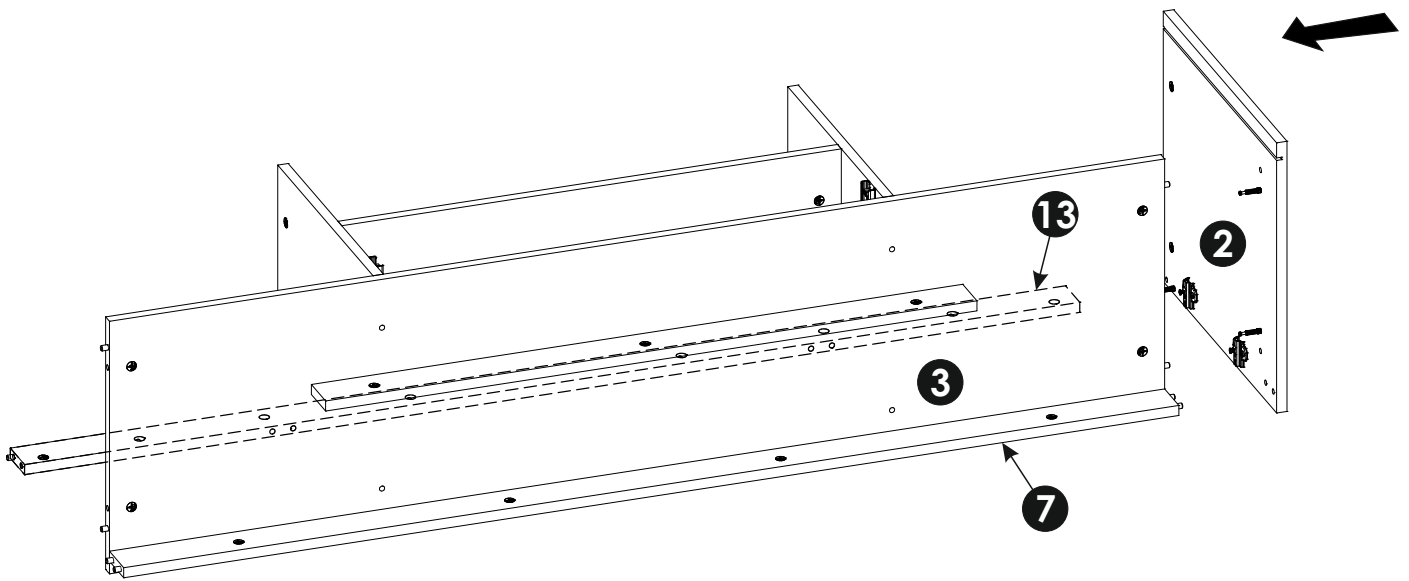
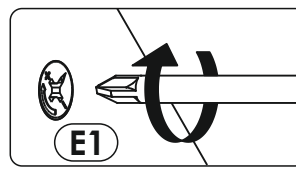
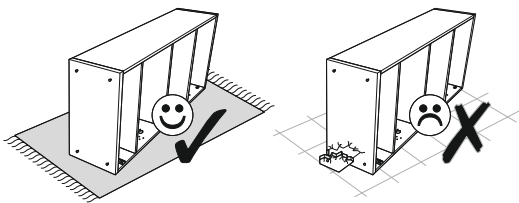
16▶



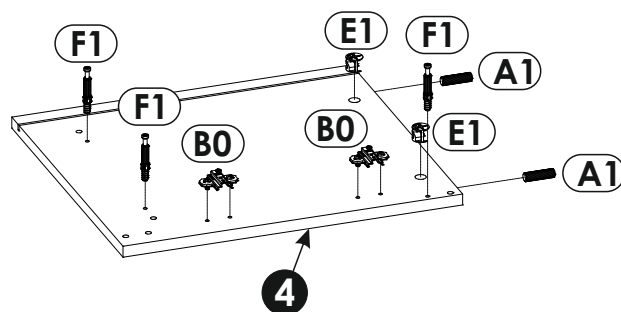
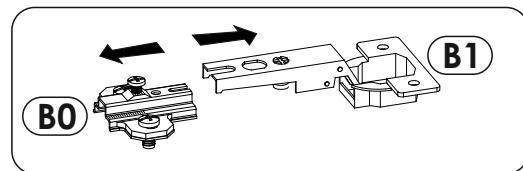
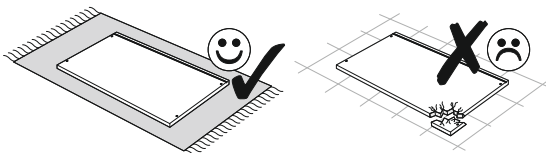
17▶



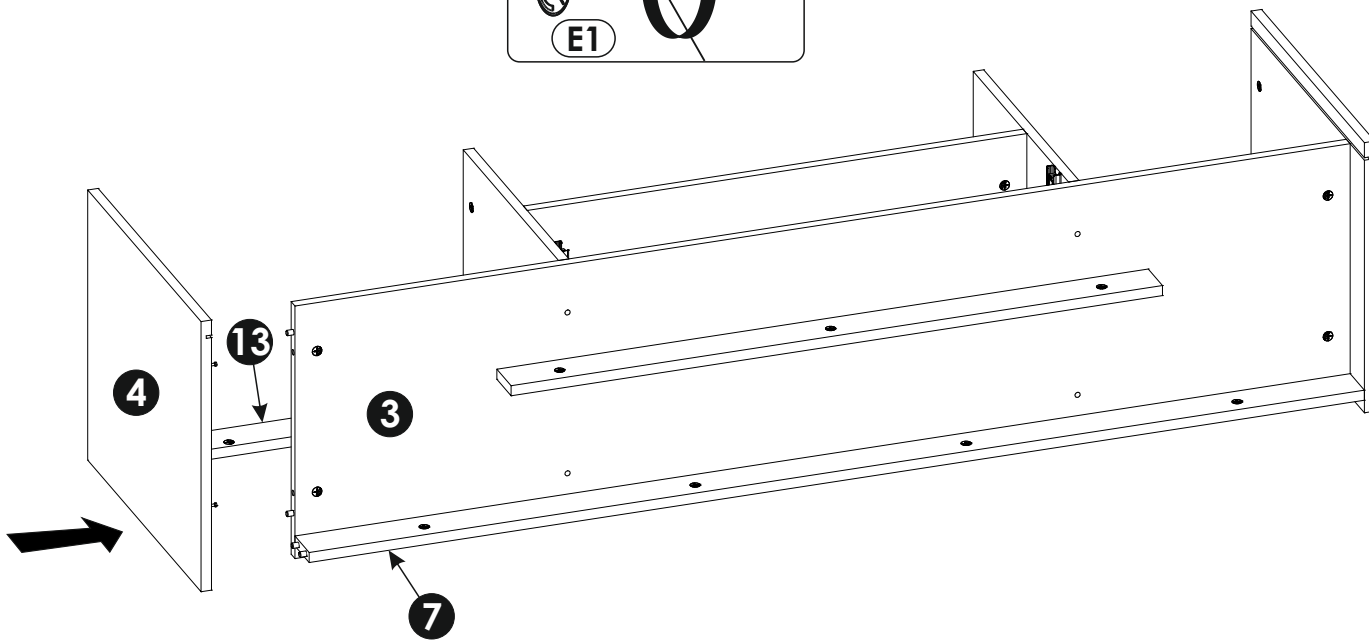
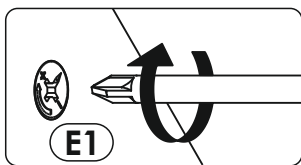
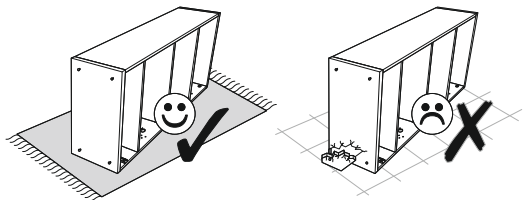
18 ▶



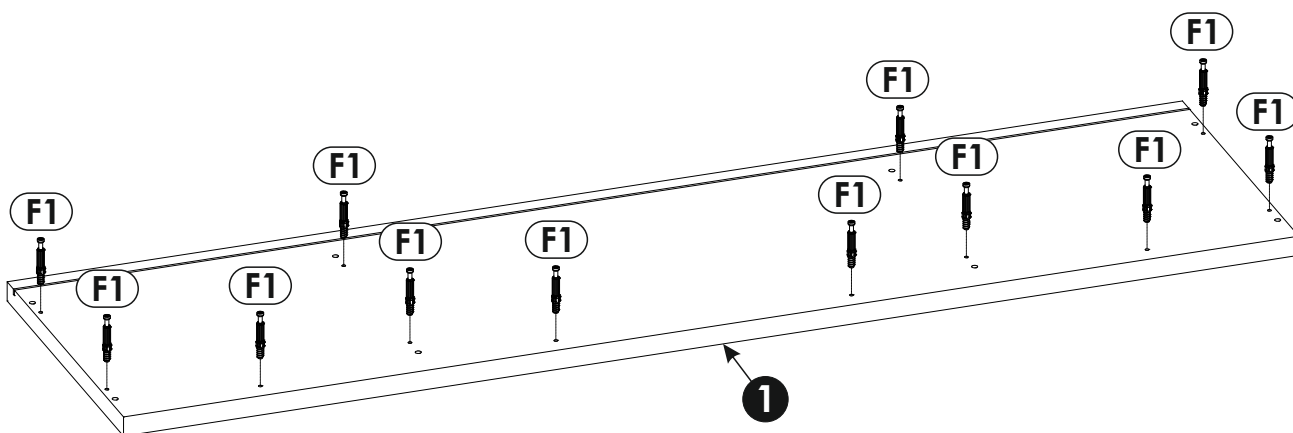
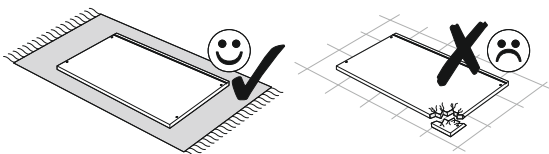
19 ▶



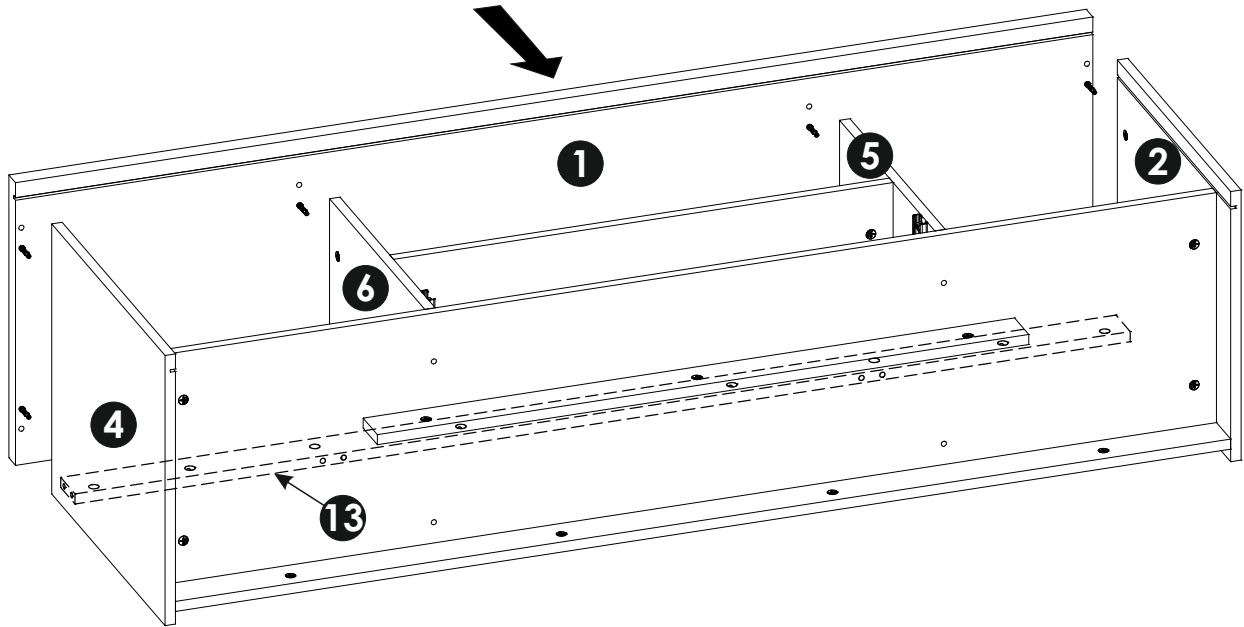
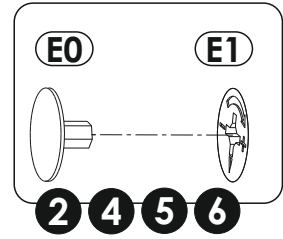
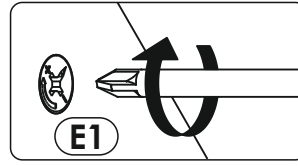
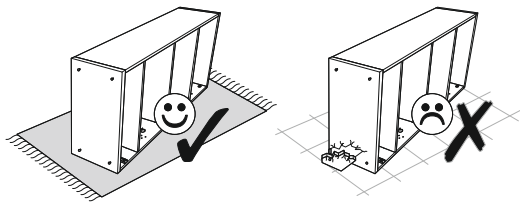
20 ▶



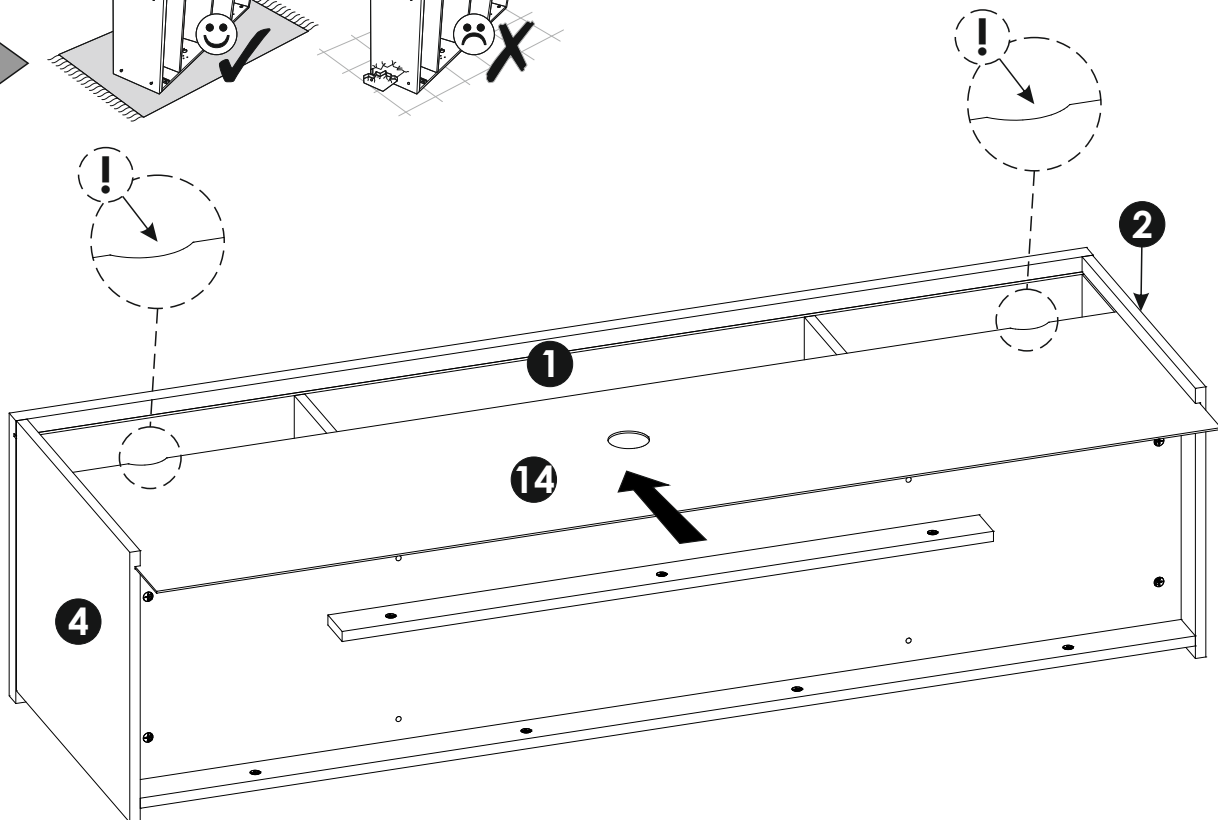
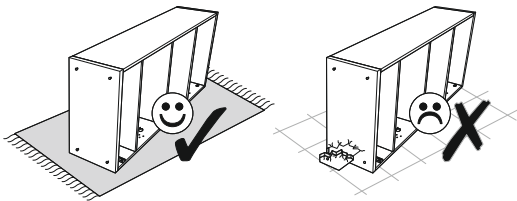
21 ▶



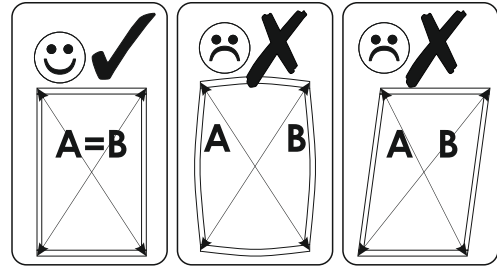
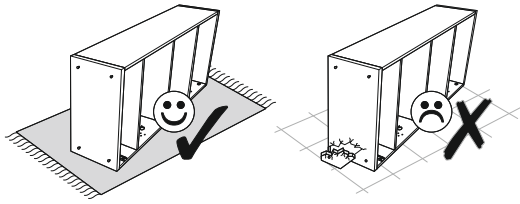
22 ▶



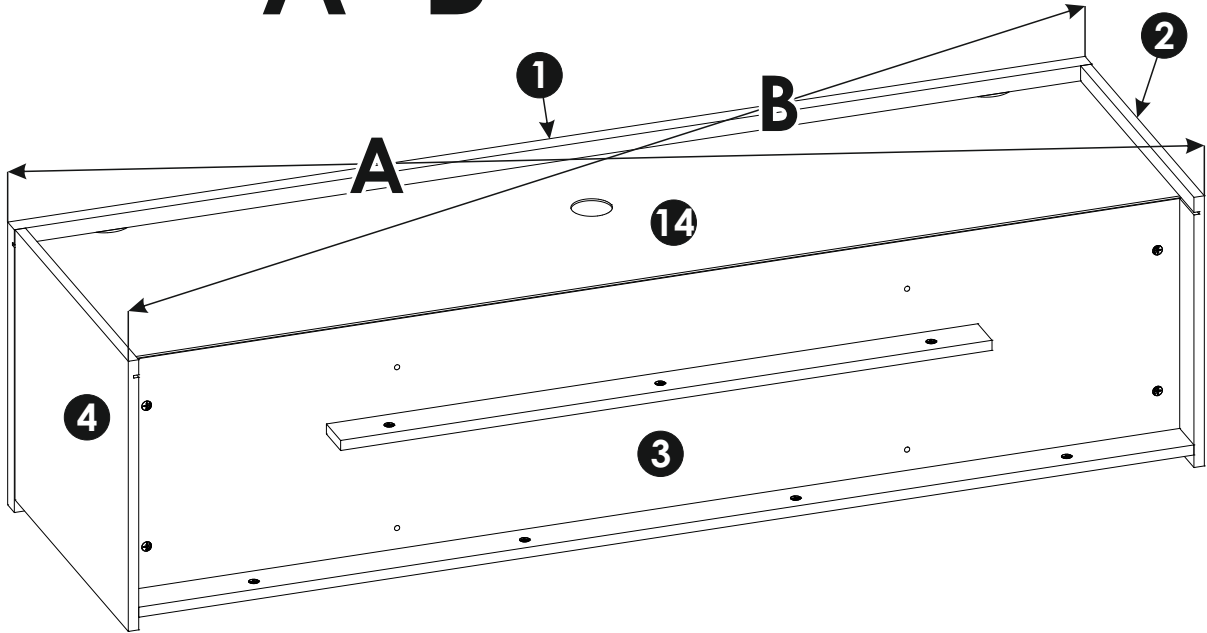
23 ▶



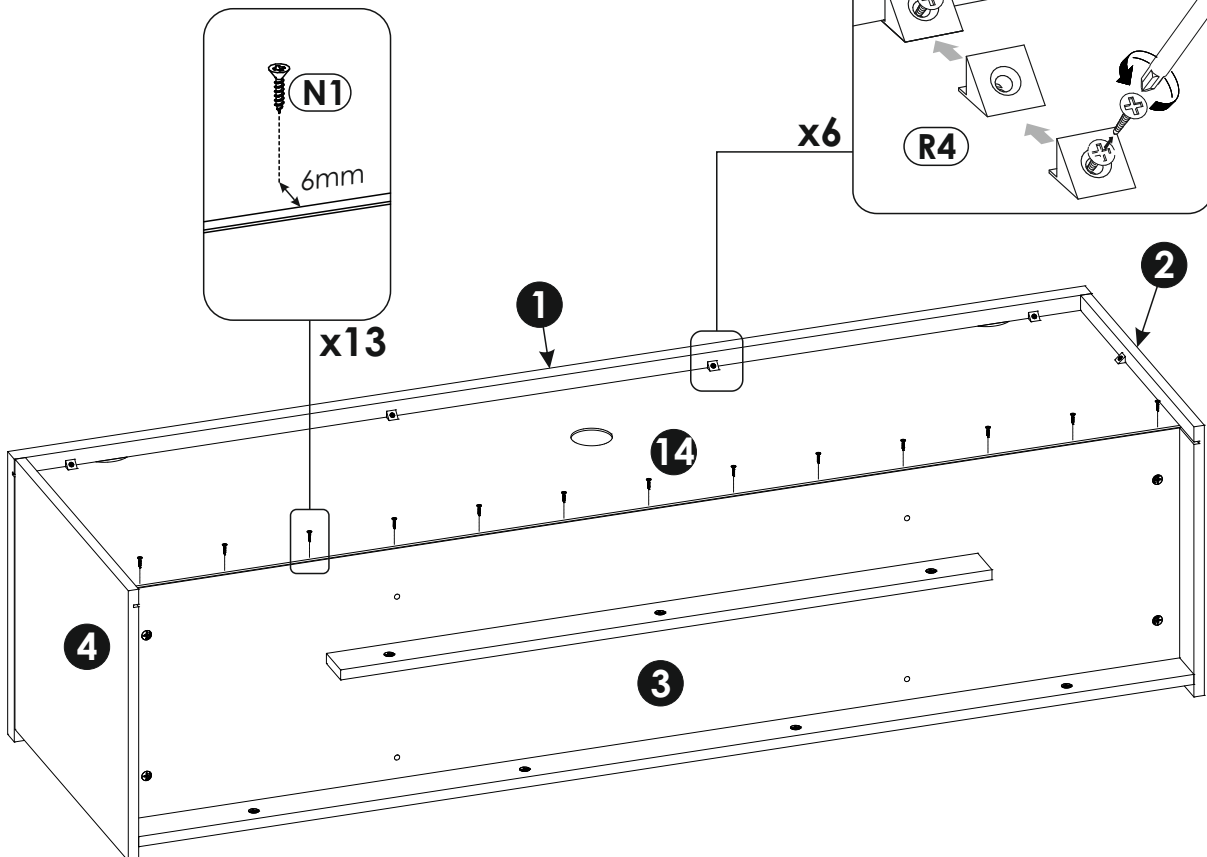
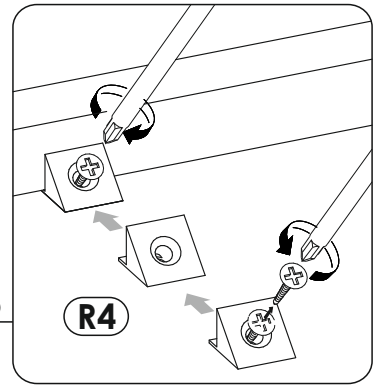
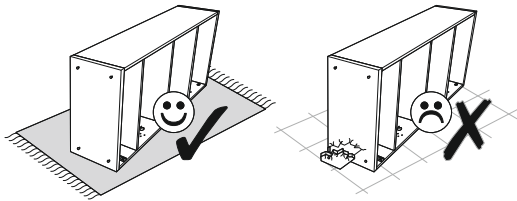
24 ▶



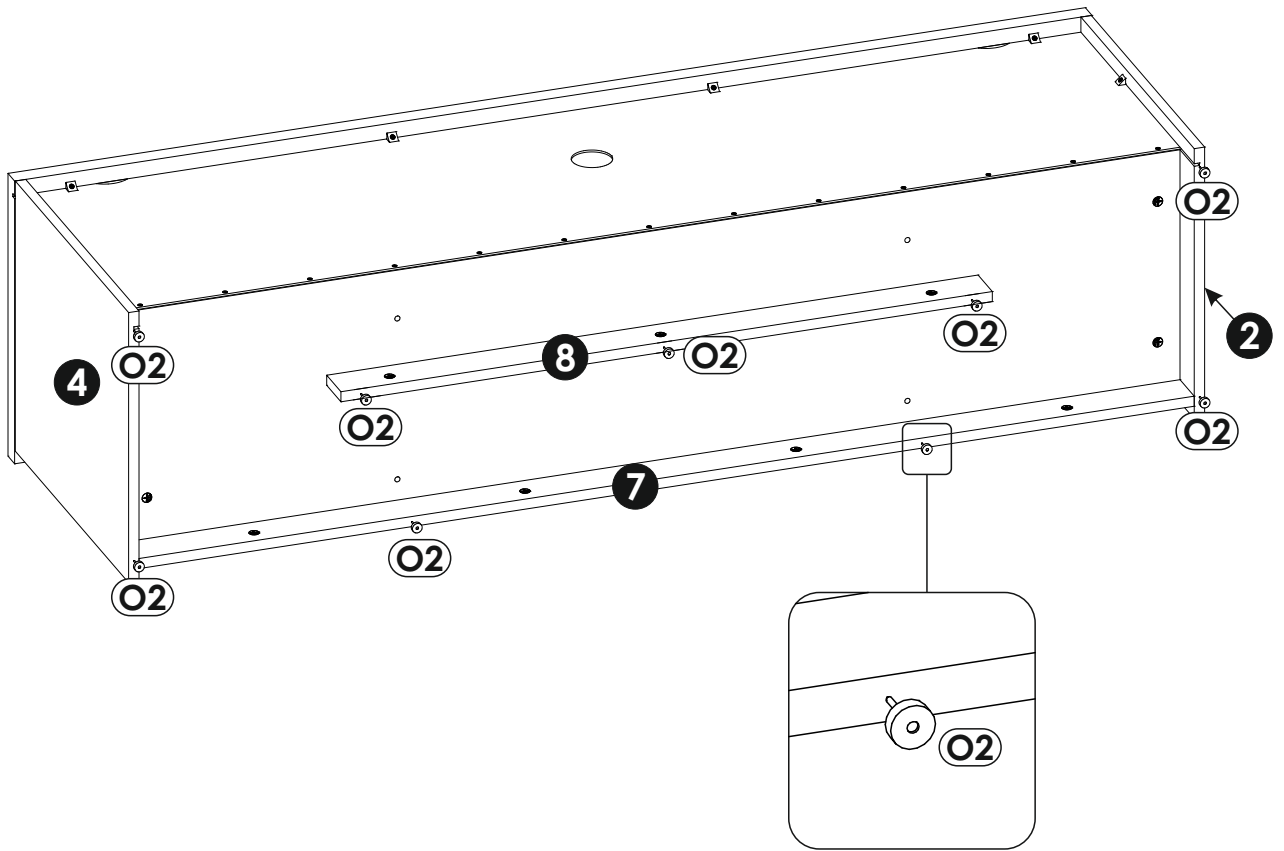
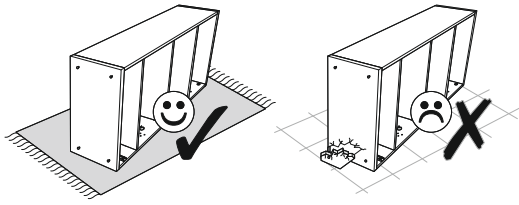
A=B

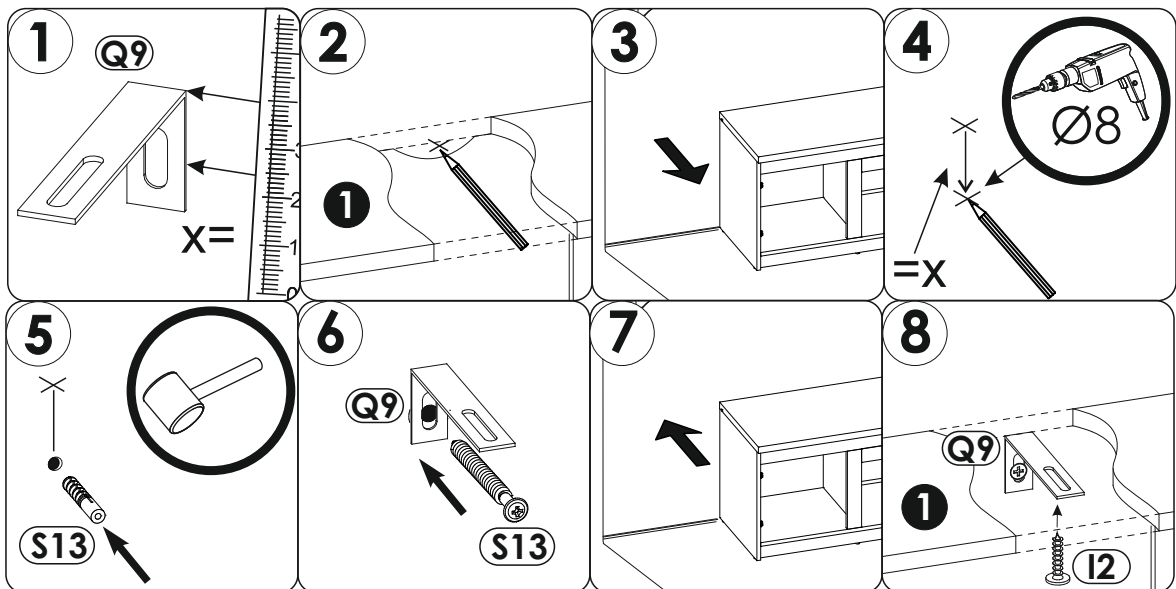
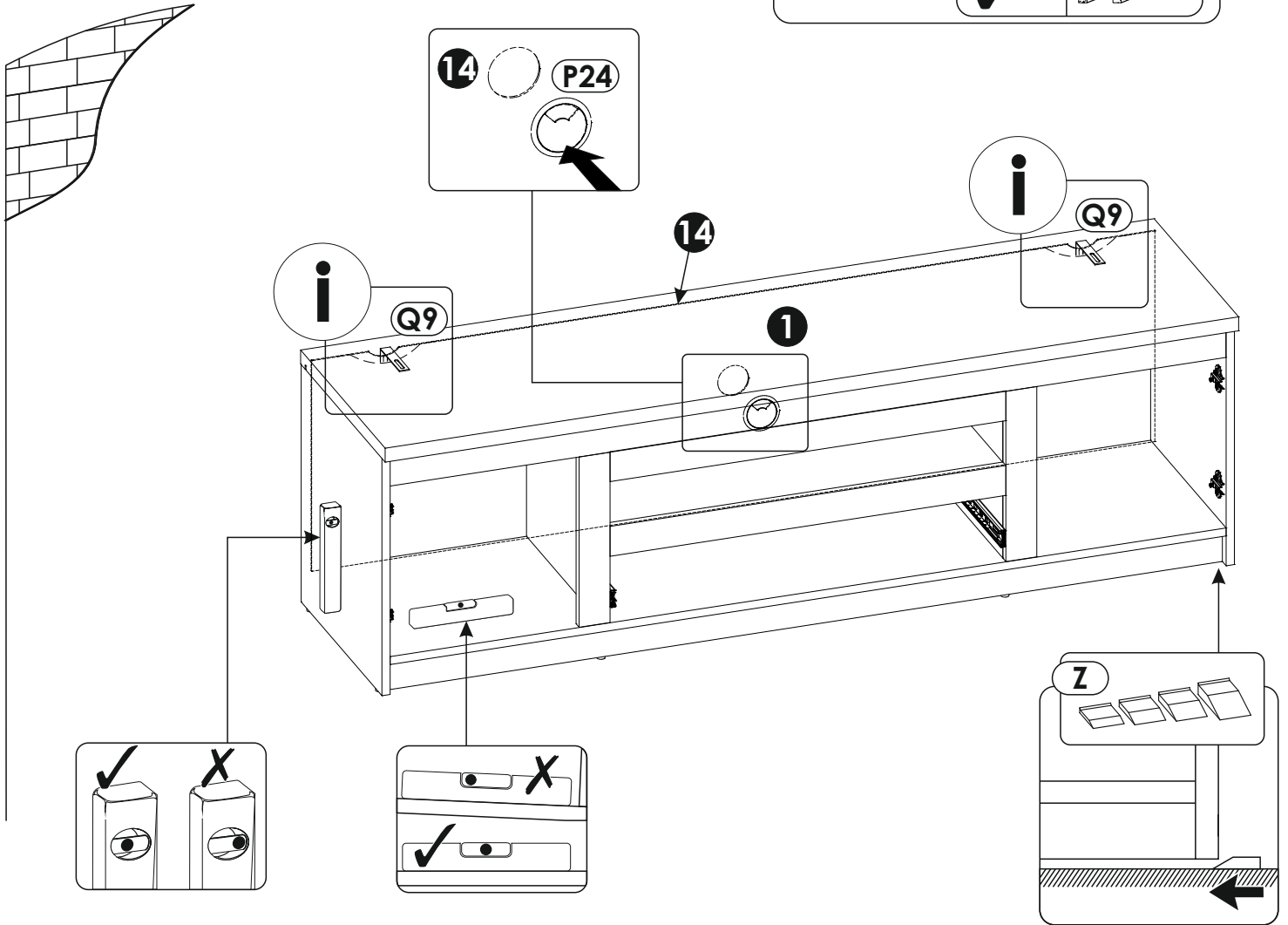
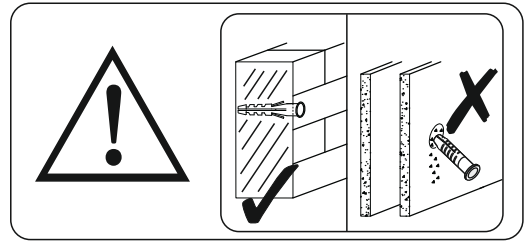


25 ▶

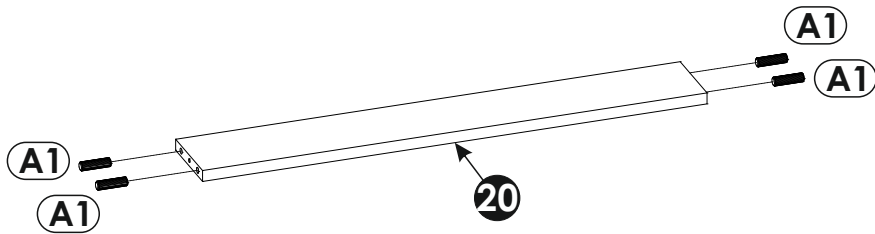
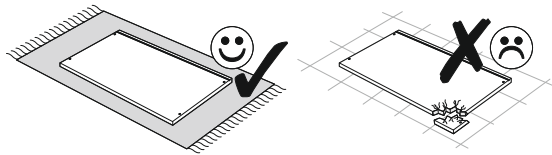


26 ▶

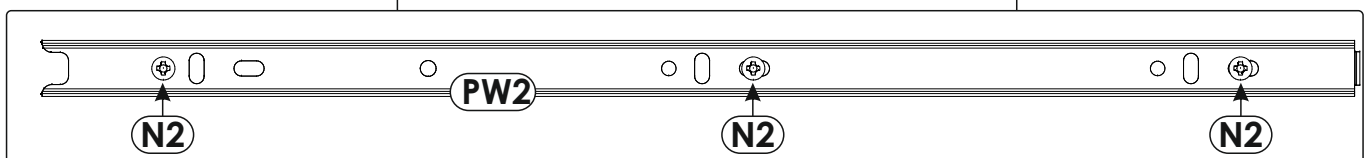
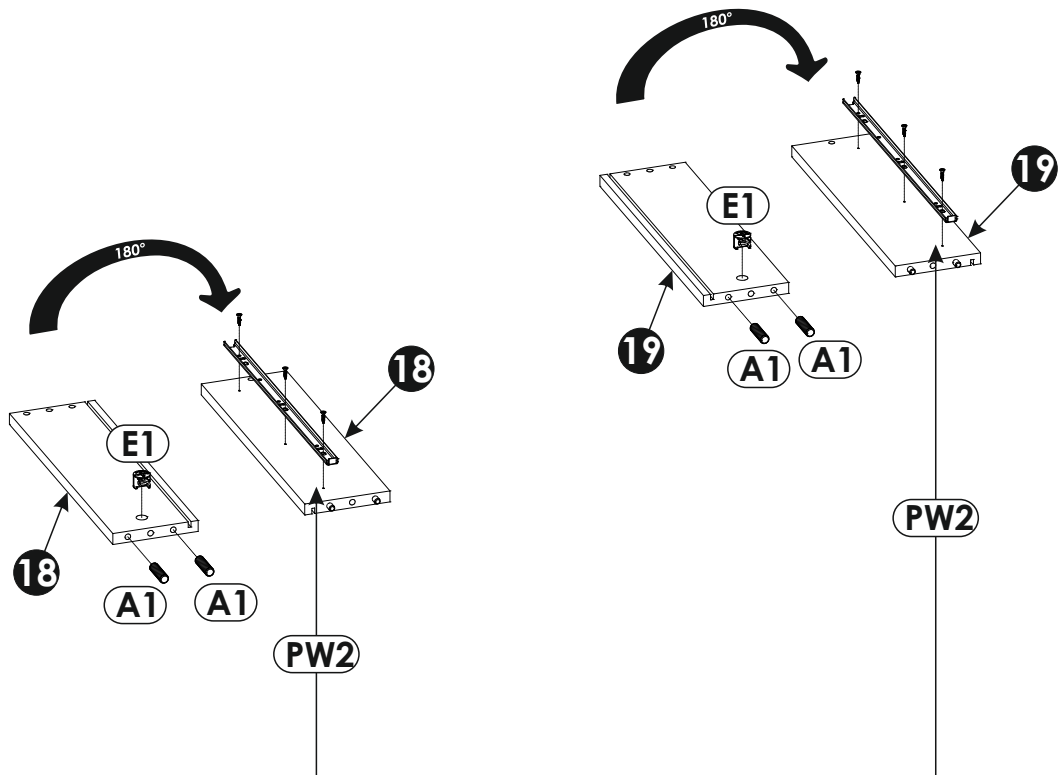
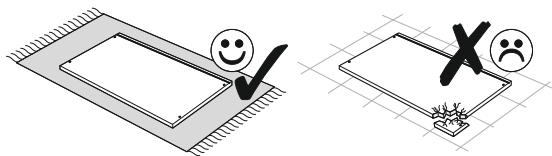




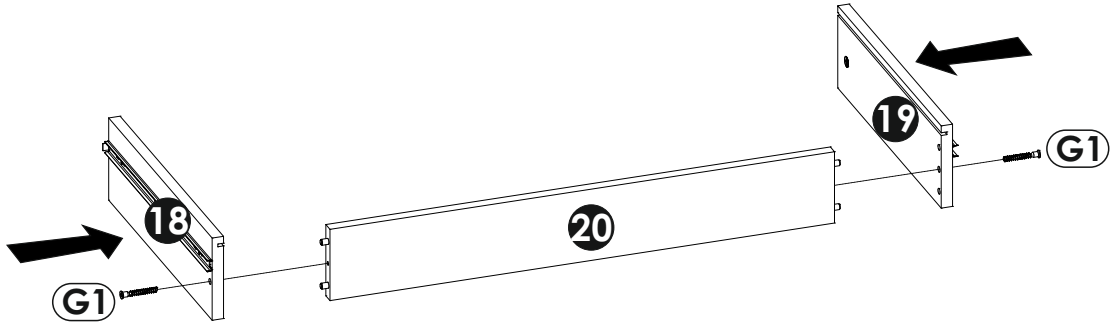
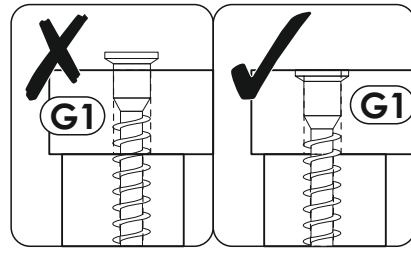
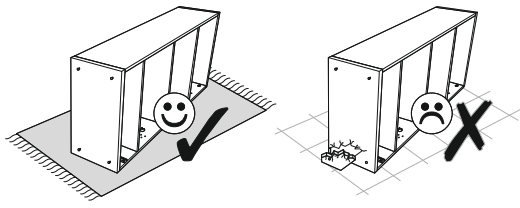
28▶



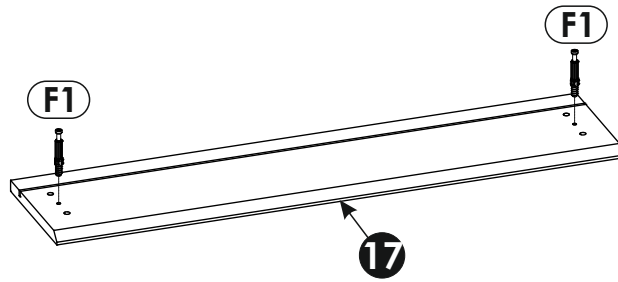
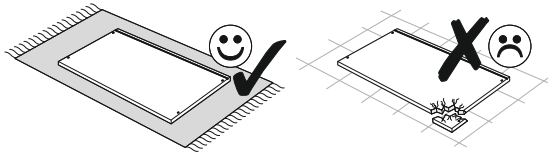
29▶



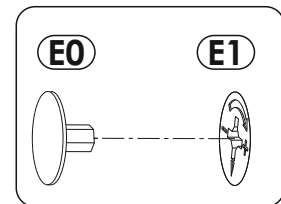
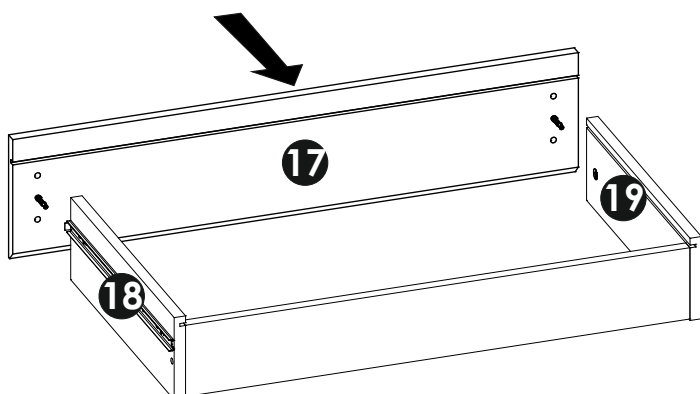
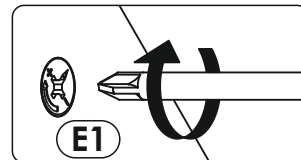
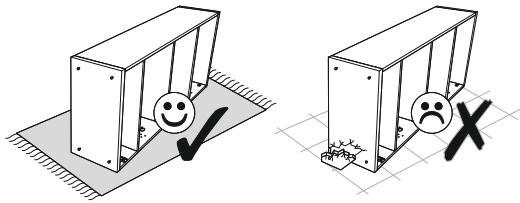
30 ▶



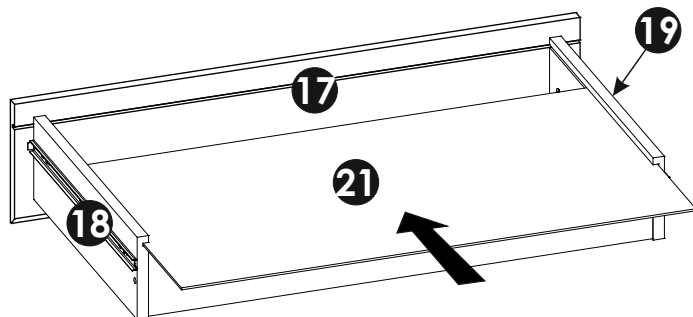
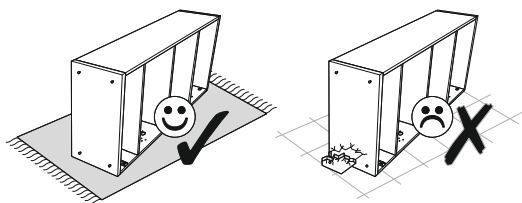
31 ▶



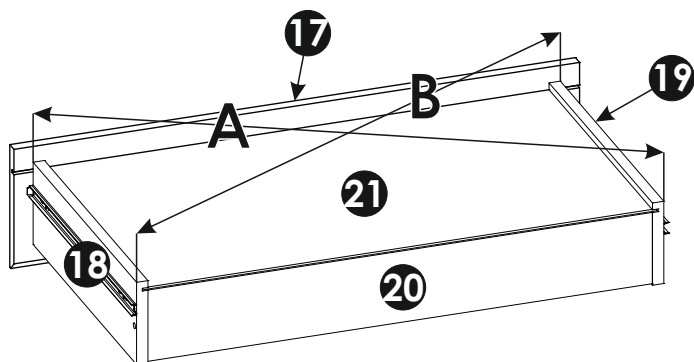
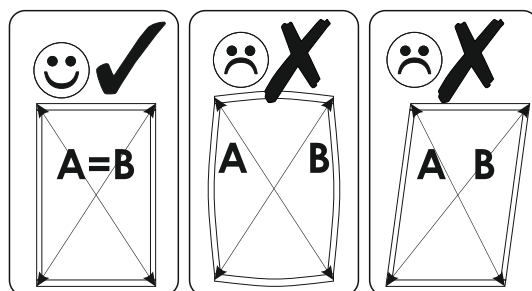
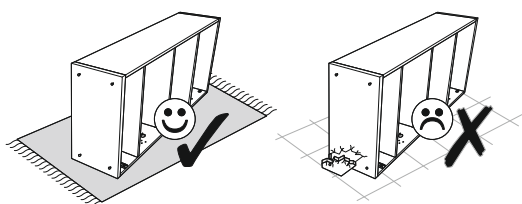
32 ▶



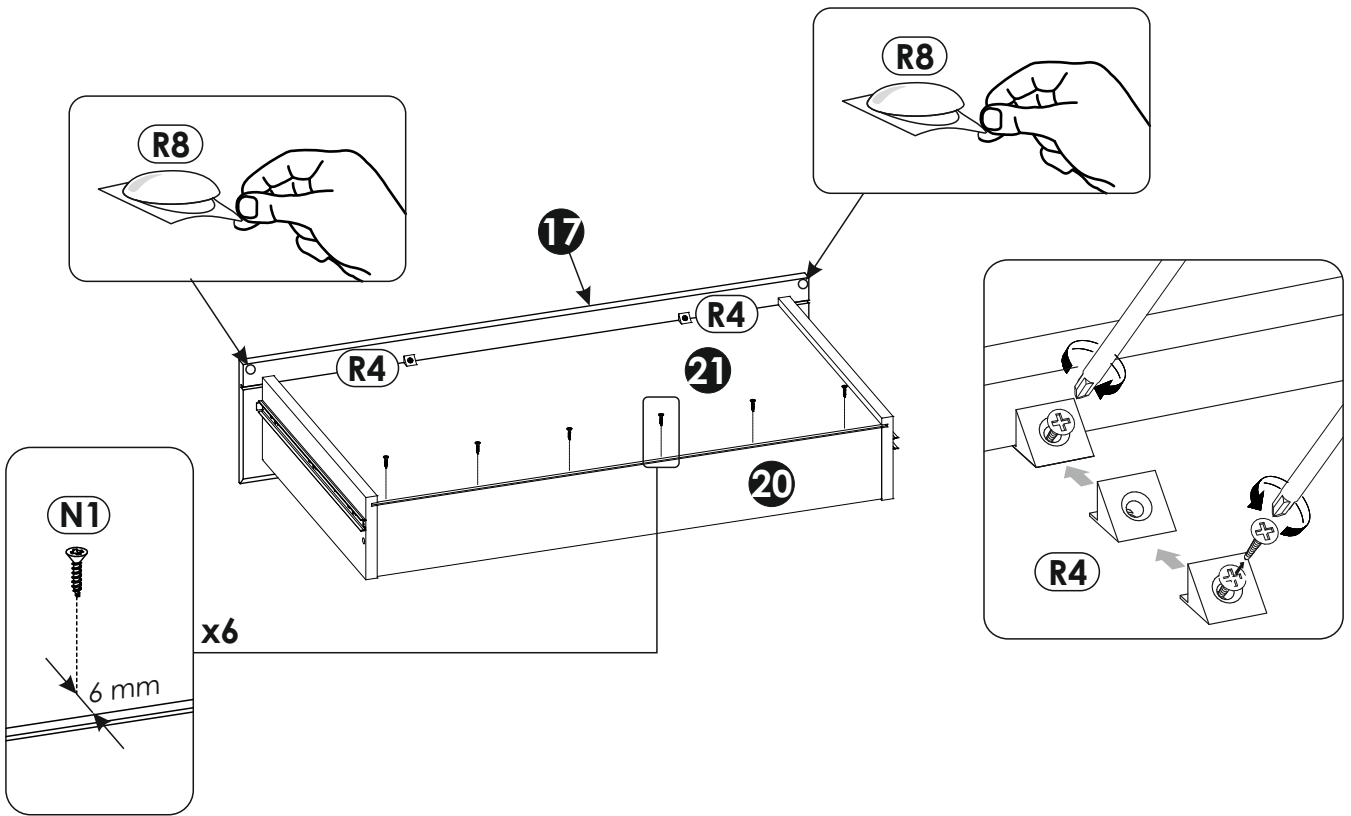
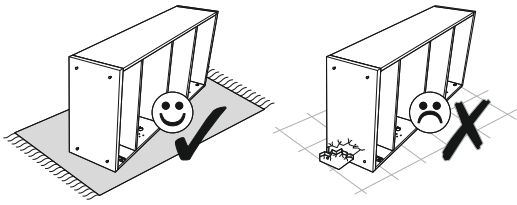
33 ▶



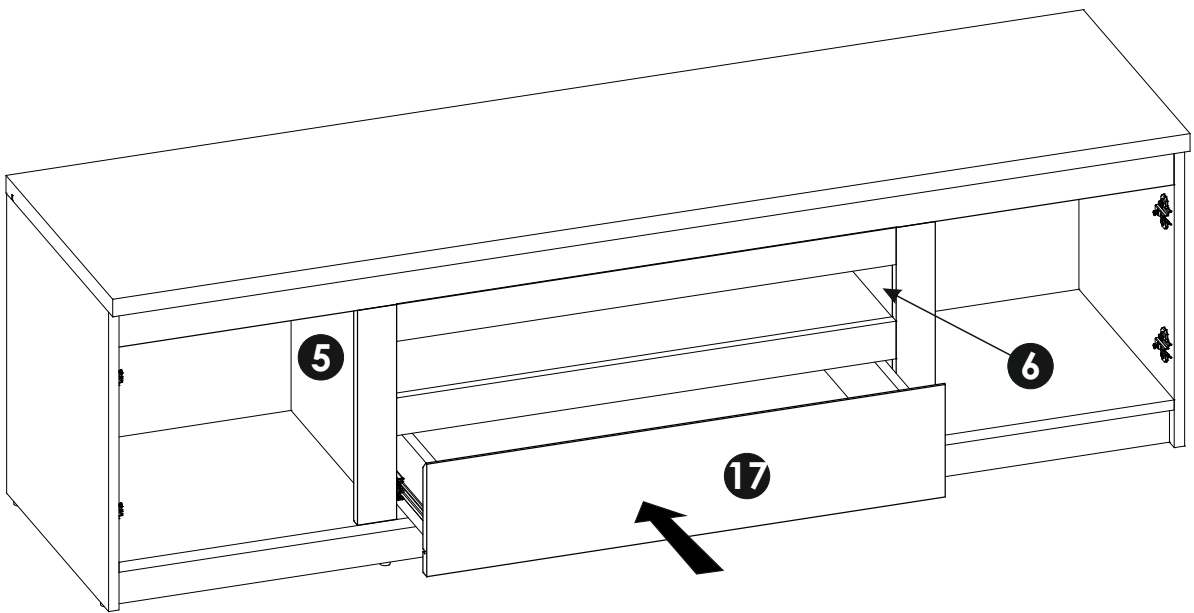
34 ▶

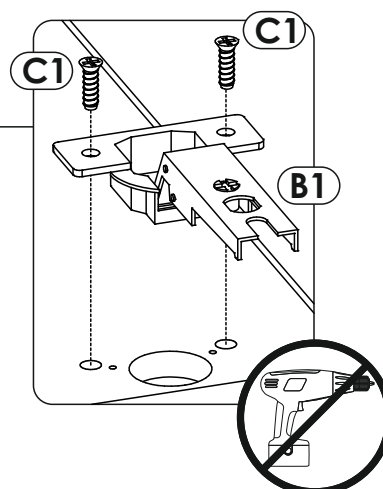
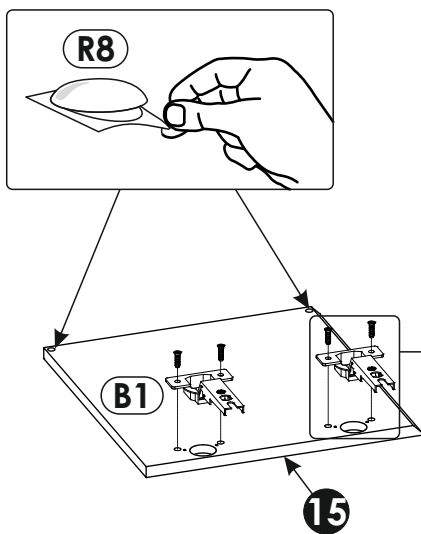
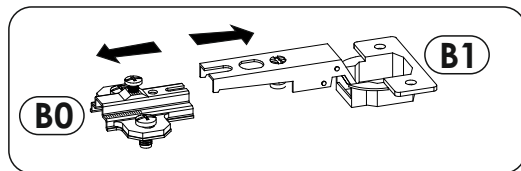
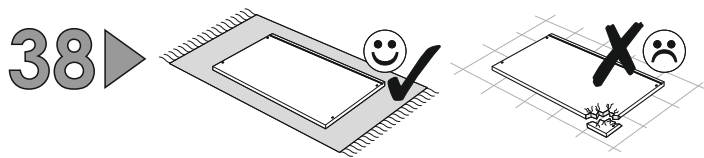
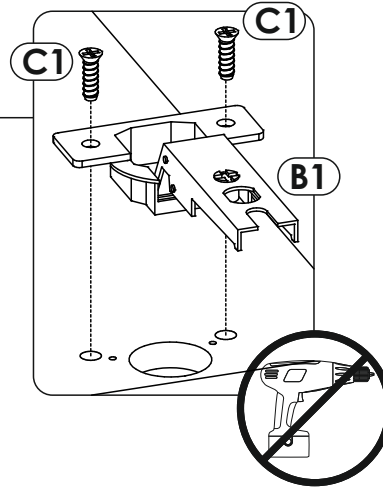
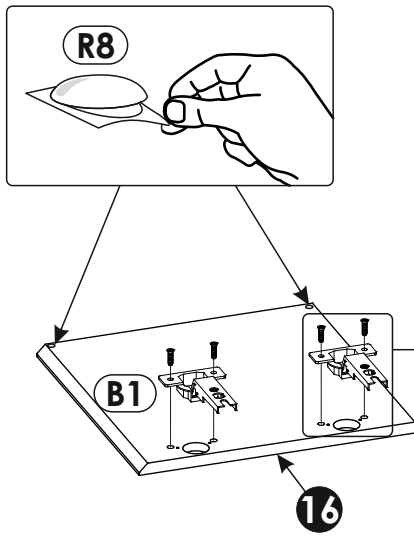
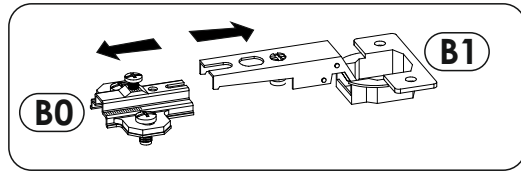
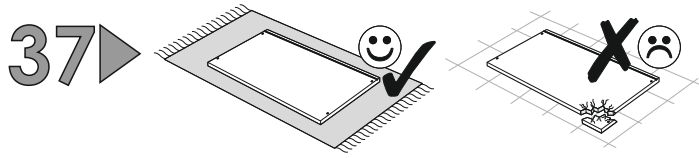


35▶

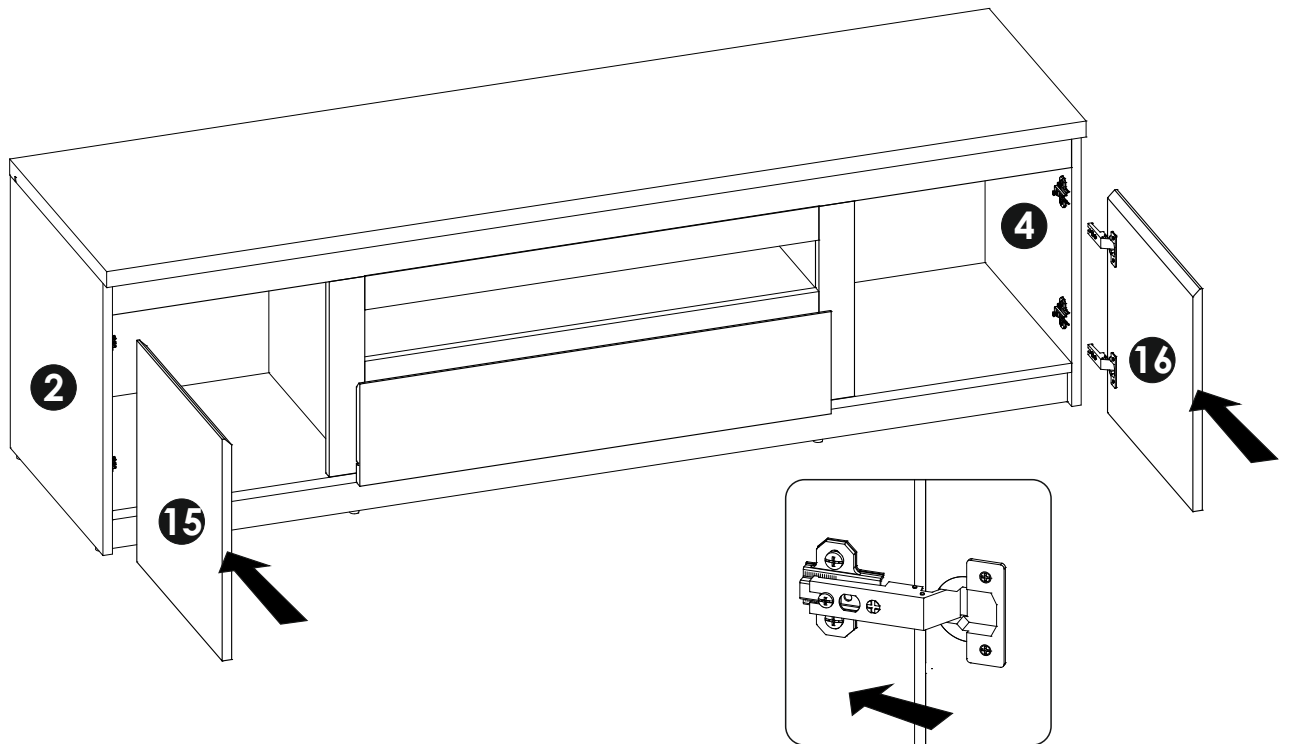


36▶

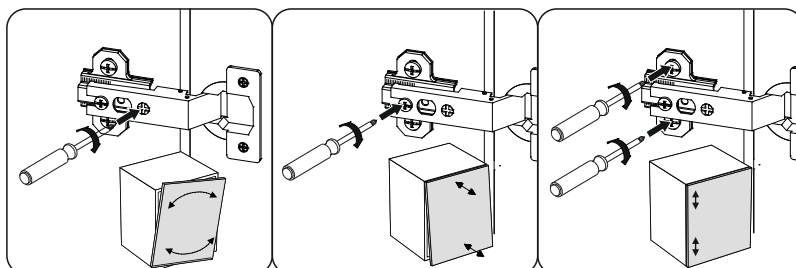
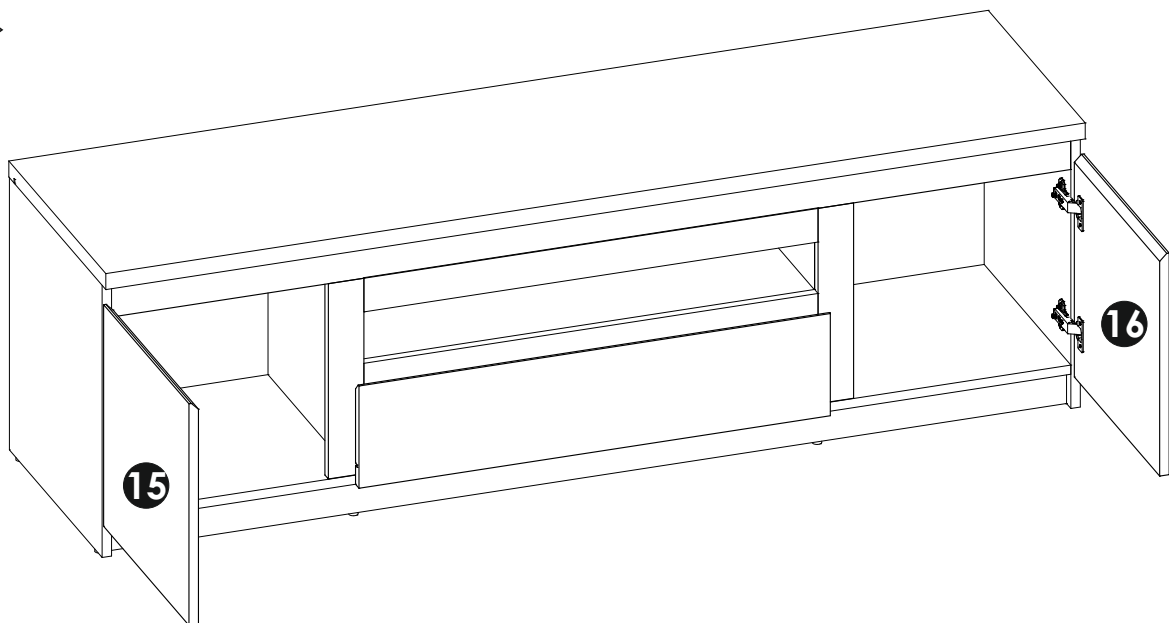




39▶



40▶



41 ▶

