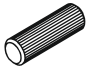
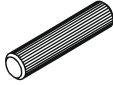
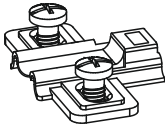
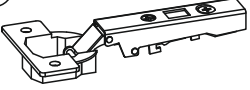

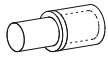
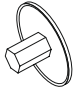

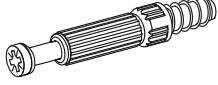
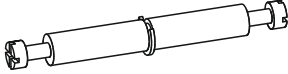
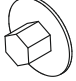
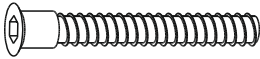

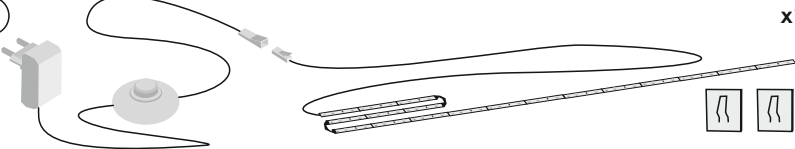
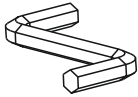
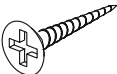
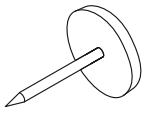
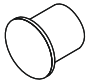
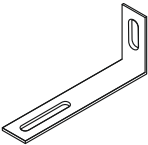
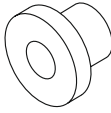
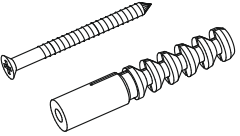
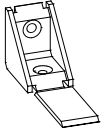
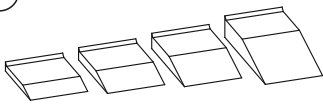
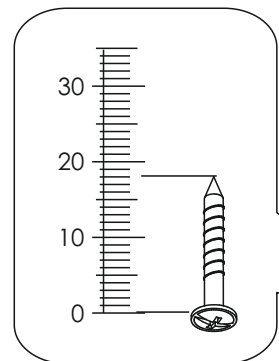
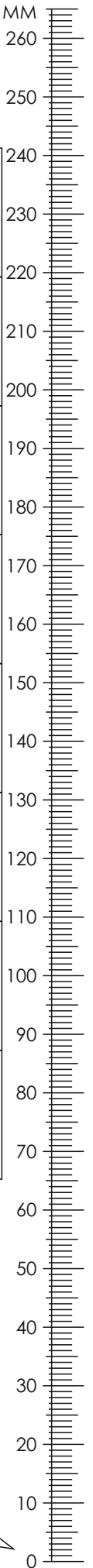
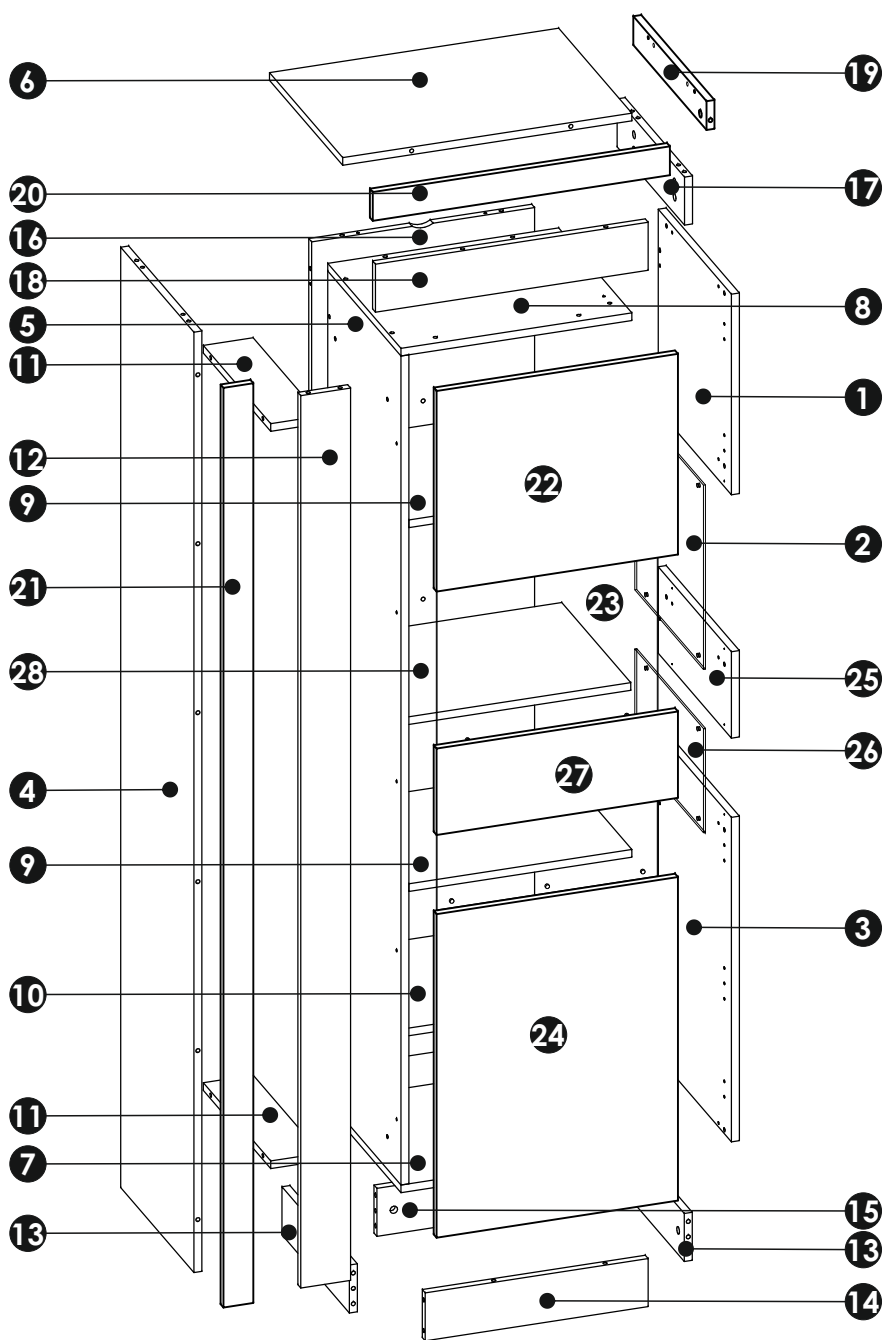
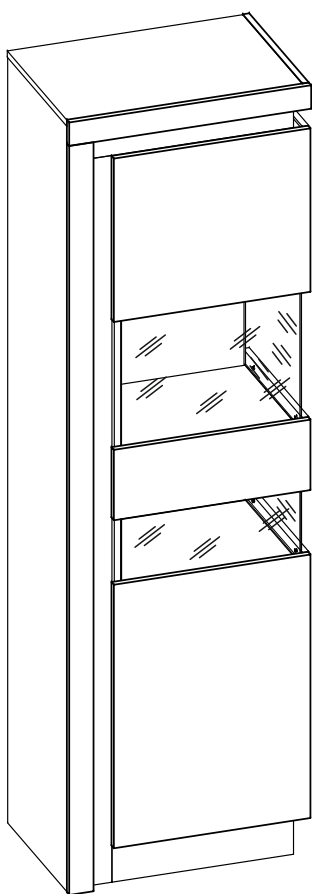


A1 8 x 35 mm x55 	A2 8 x 45 mm x2 	B0  x4
BC11  x4	C1 4 x 13 mm x8 	D2  x4
E0  x44	E1 15 x 12 mm x57 	F1 6 x 34 mm x53 
F3 7 x 58 mm x2 	G0  x16	G1 7 x 50 mm x16 
I2 4 x 16 mm x19 	L  x1	
M  x1	N2 3,5 X 16 mm x12 	O2  x6
P0  x2	Q9  x1	R3  x18
S13  x1	W  x6	Z  x1





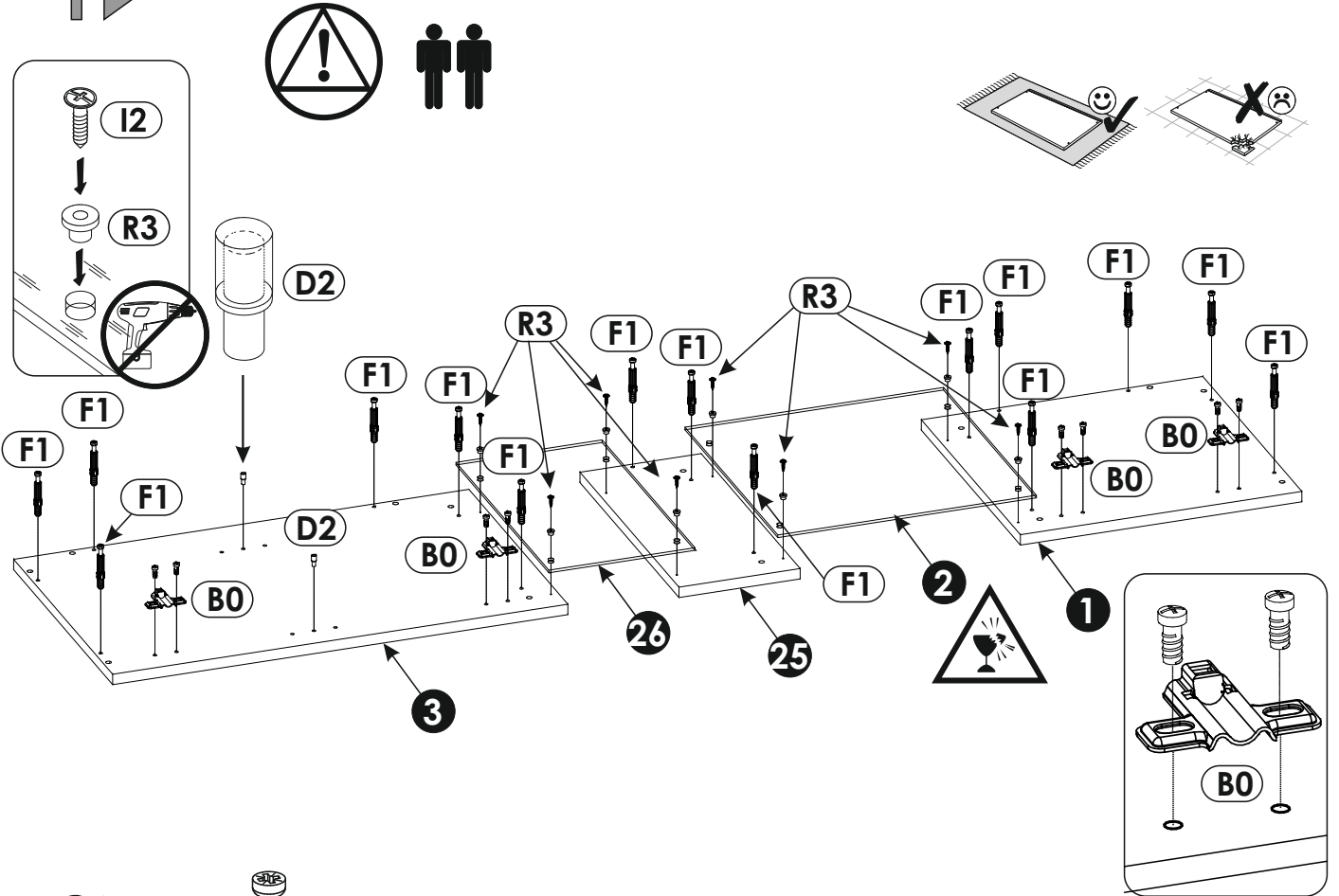
1	418	404	16	x1	1/2
2	379	379	4	x1	1/2
3	676	404	16	x1	1/2
4	1959	404	16	x1	2/2
5	1727	404	16	x1	2/2
6	581	404	16	x1	1/2
7	464	404	16	x1	1/2
8	464	404	16	x1	1/2
9	448	387	16	x2	1/2
10	448	369	16	x1	1/2
11	372	100	16	x2	2/2

12	1859	100	16	x1	2/2
13	372	100	16	x2	2/2
14	448	100	16	x1	2/2
15	357	100	16	x1	2/2
16	1727	448	16	x1	2/2
17	372	100	16	x1	2/2
18	548	100	16	x1	2/2
19	404	60	16	x1	2/2

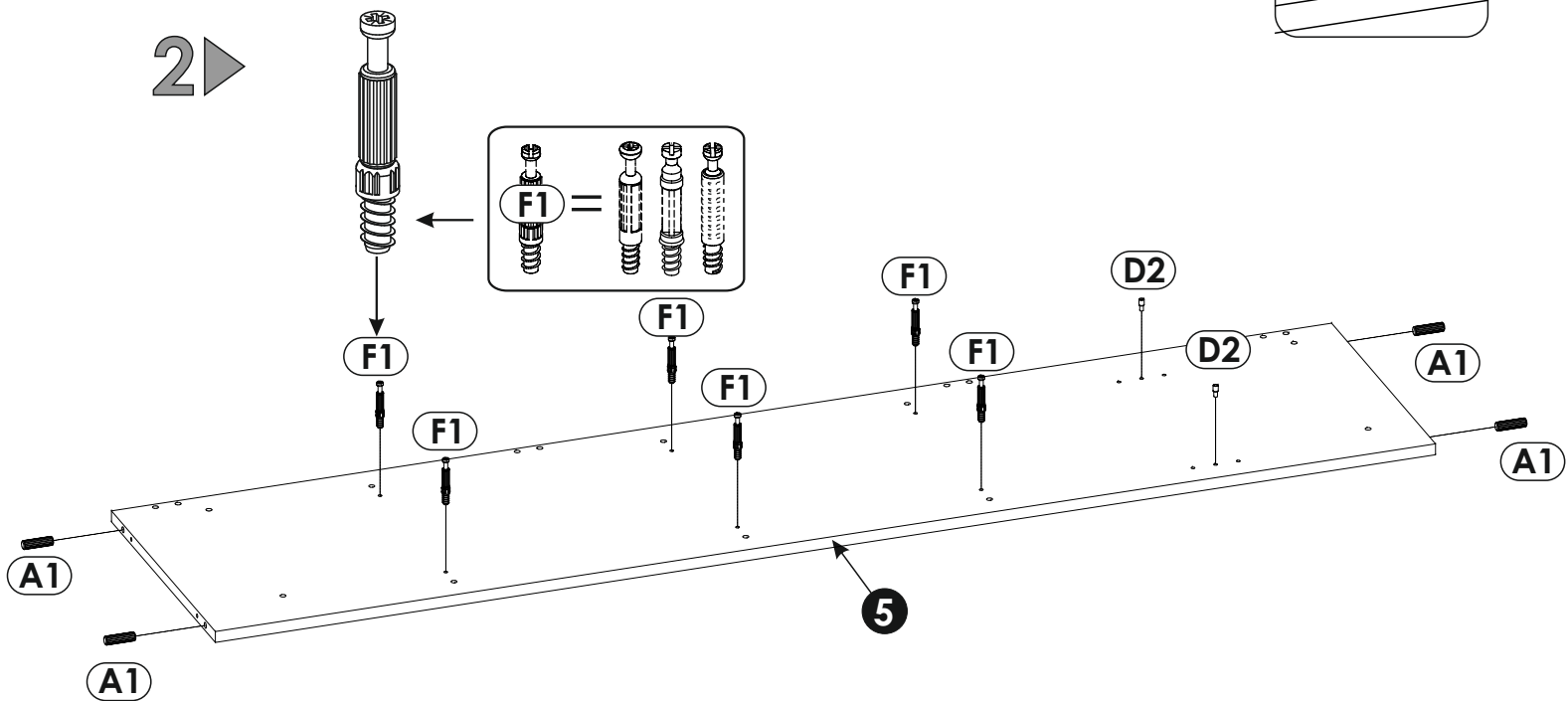
20	597	60	16	x1	2/2
21	1916	60	16	x1	2/2
22	485	418	16	x1	1/2
23	444	724	4	x1	1/2
24	485	674	16	x1	1/2
25	180	404	16	x1	1/2
26	379	217	4	x1	1/2
27	485	180	16	x1	1/2
28	448	381	16	x1	1/2



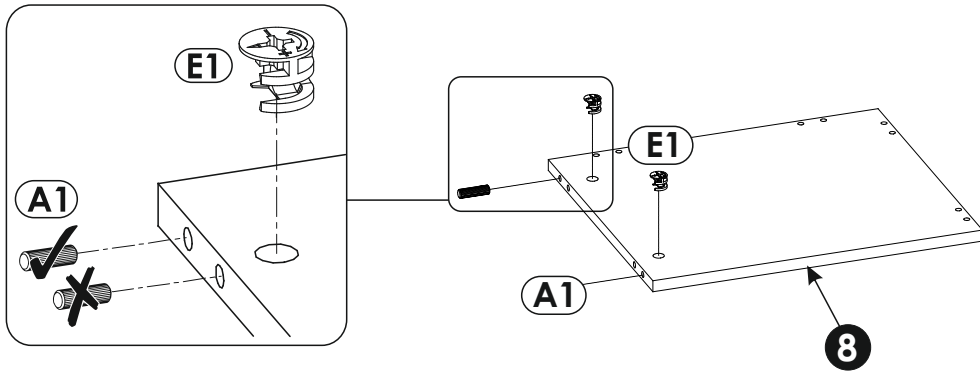
1 ▶



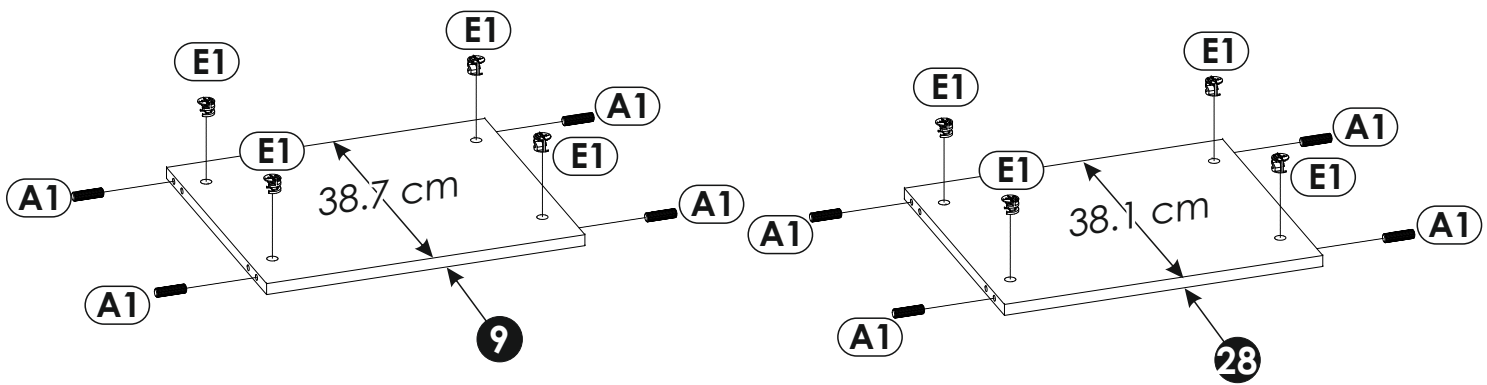
2 ▶



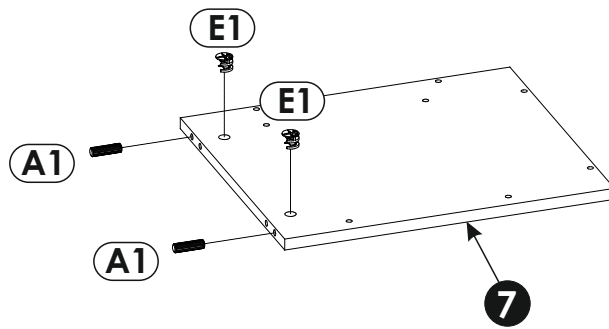
3 ▶



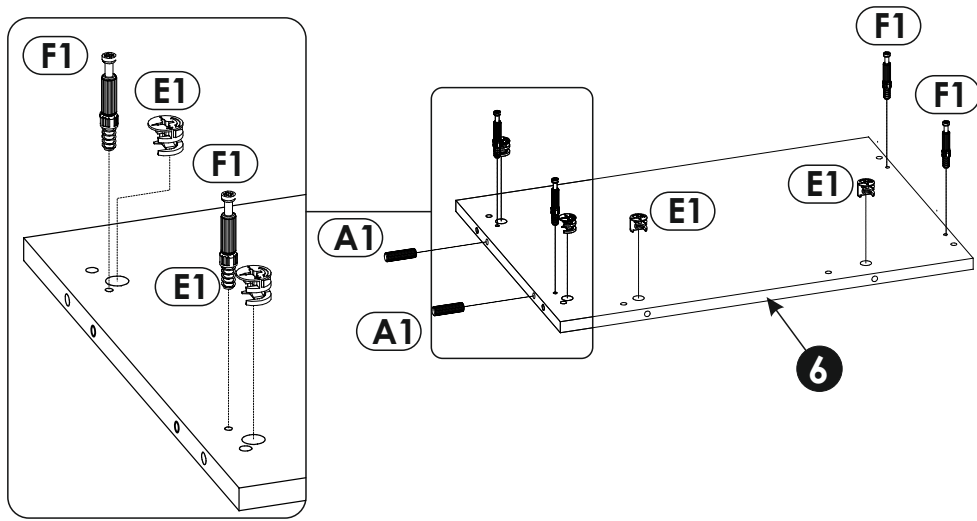
4 ▶



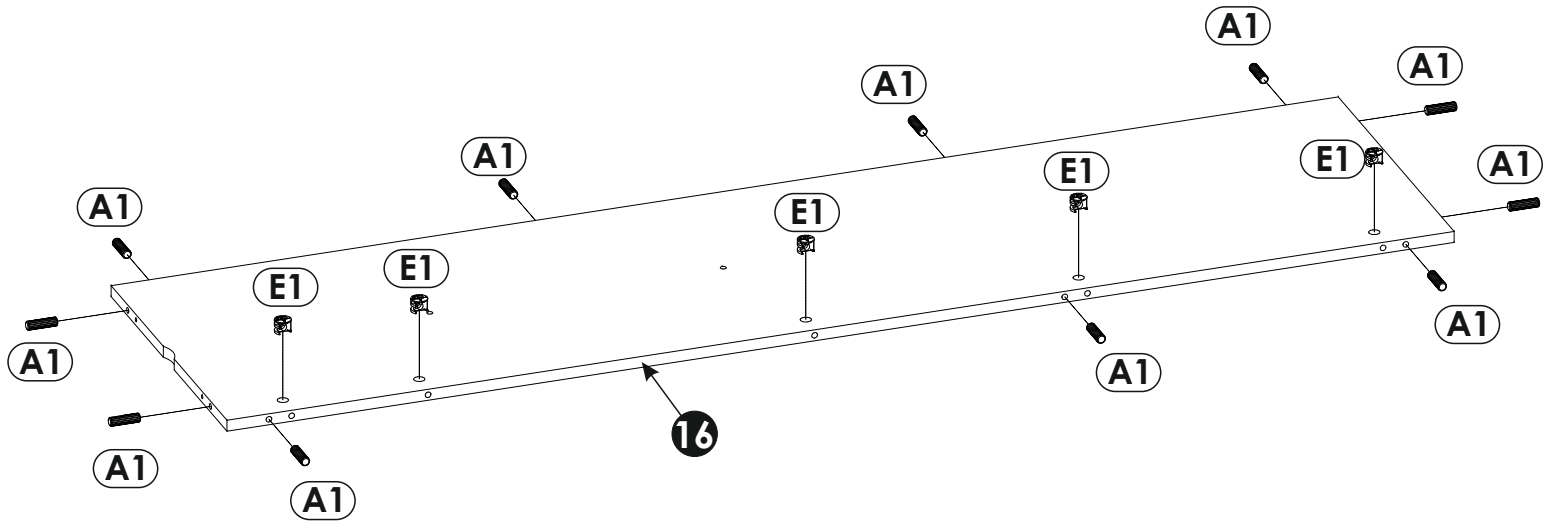
5 ▶



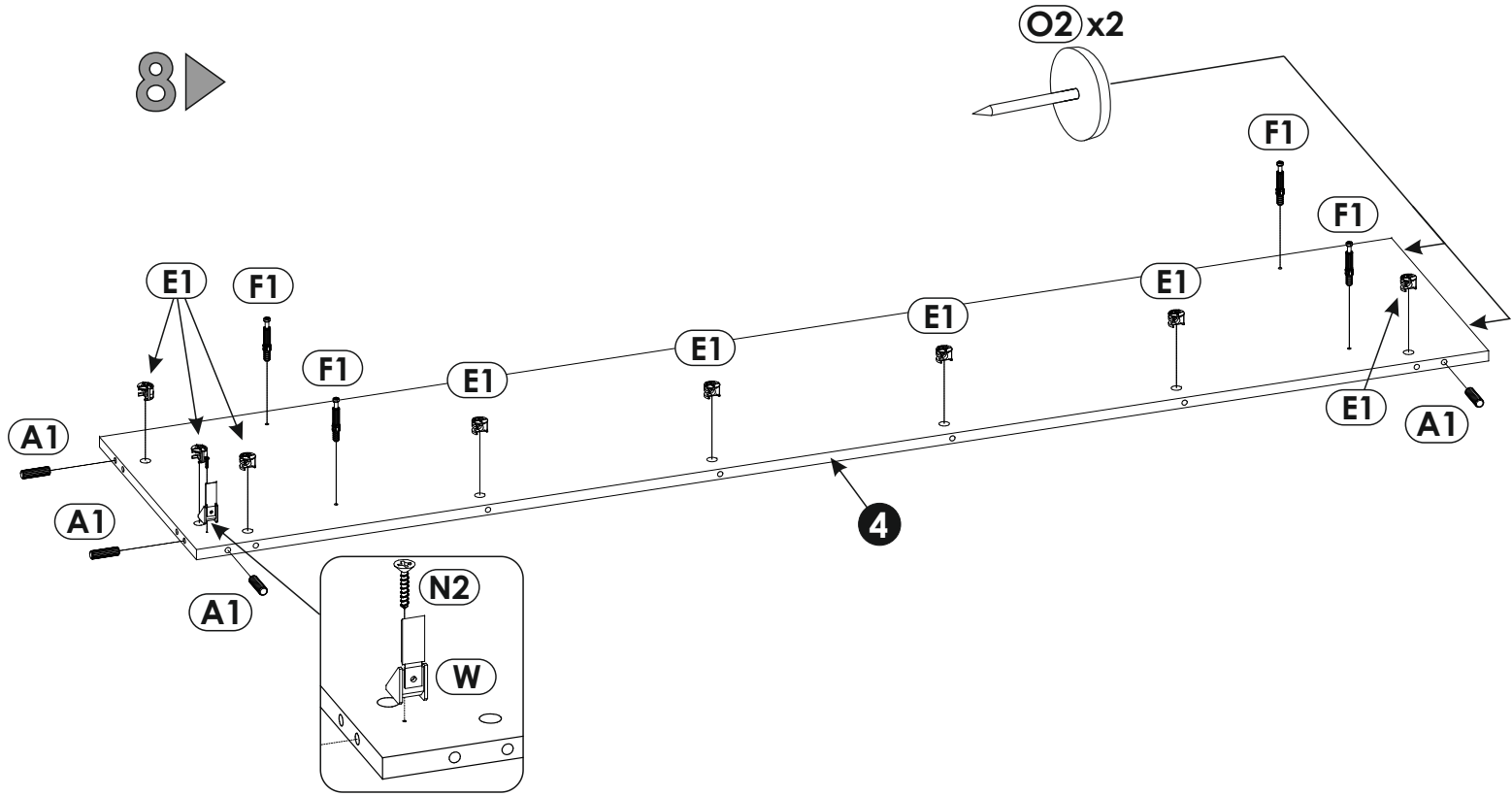
6 ▶



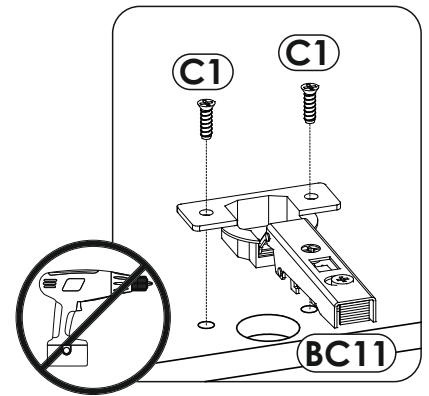
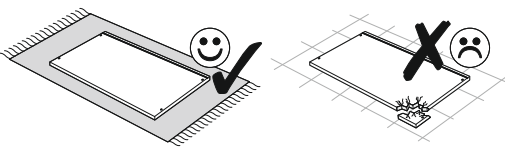
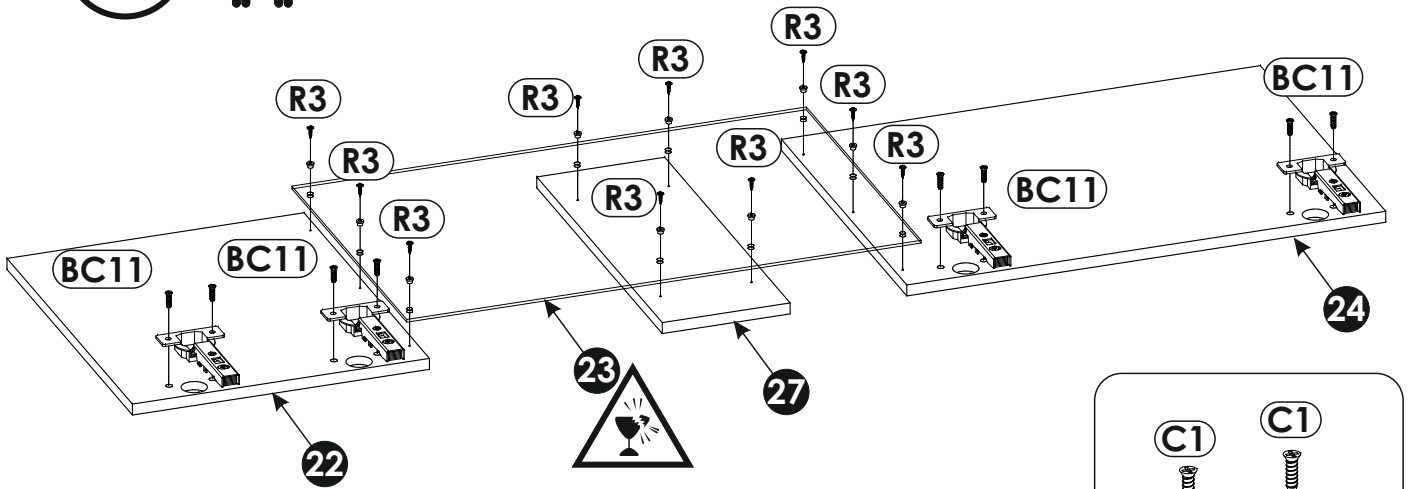
7 ▶



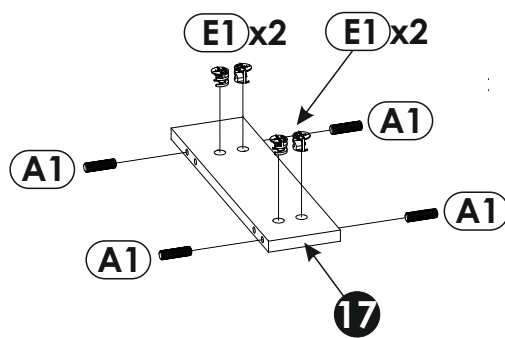
8 ▶



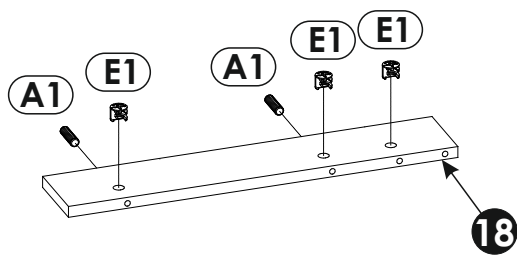
9 ▶



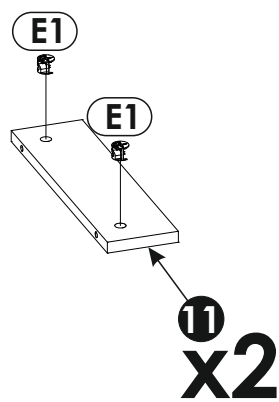
10▶



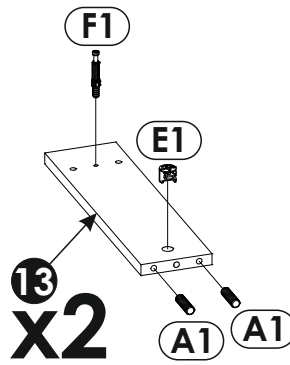
11▶



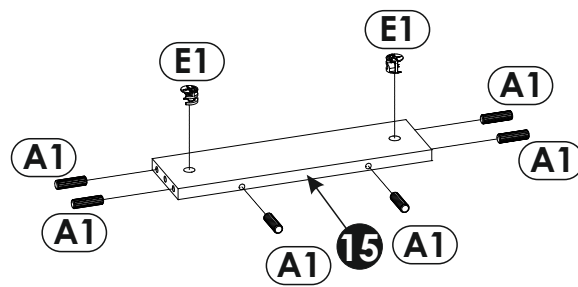
12▶



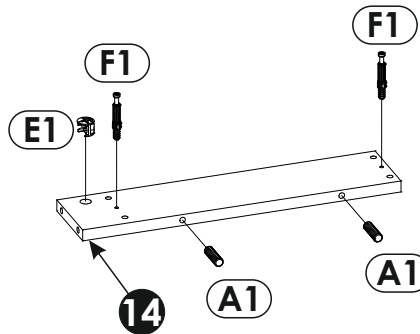
13▶



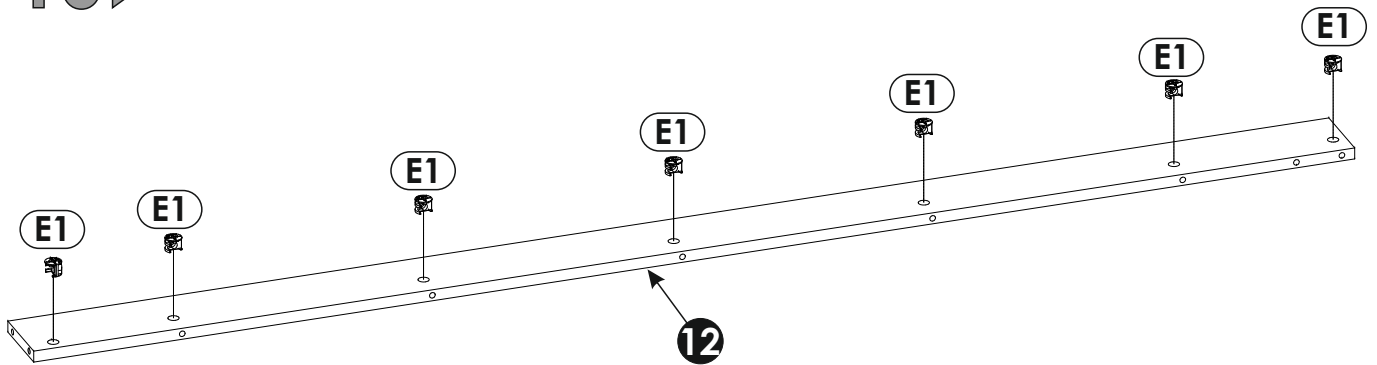
14▶



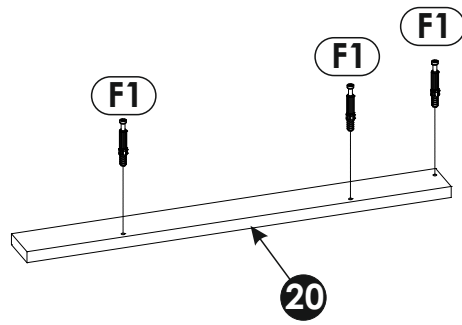
15▶



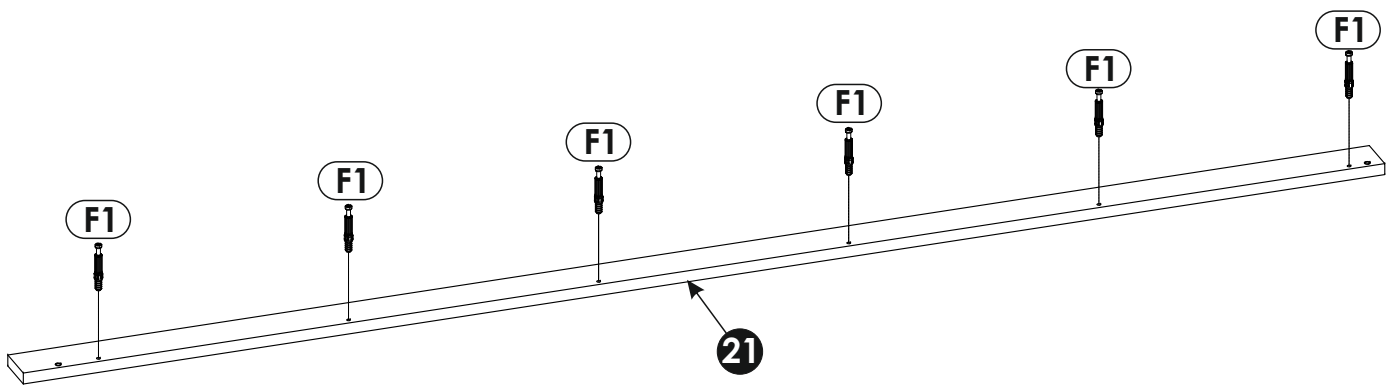
16▶



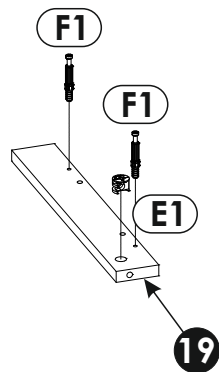
17▶



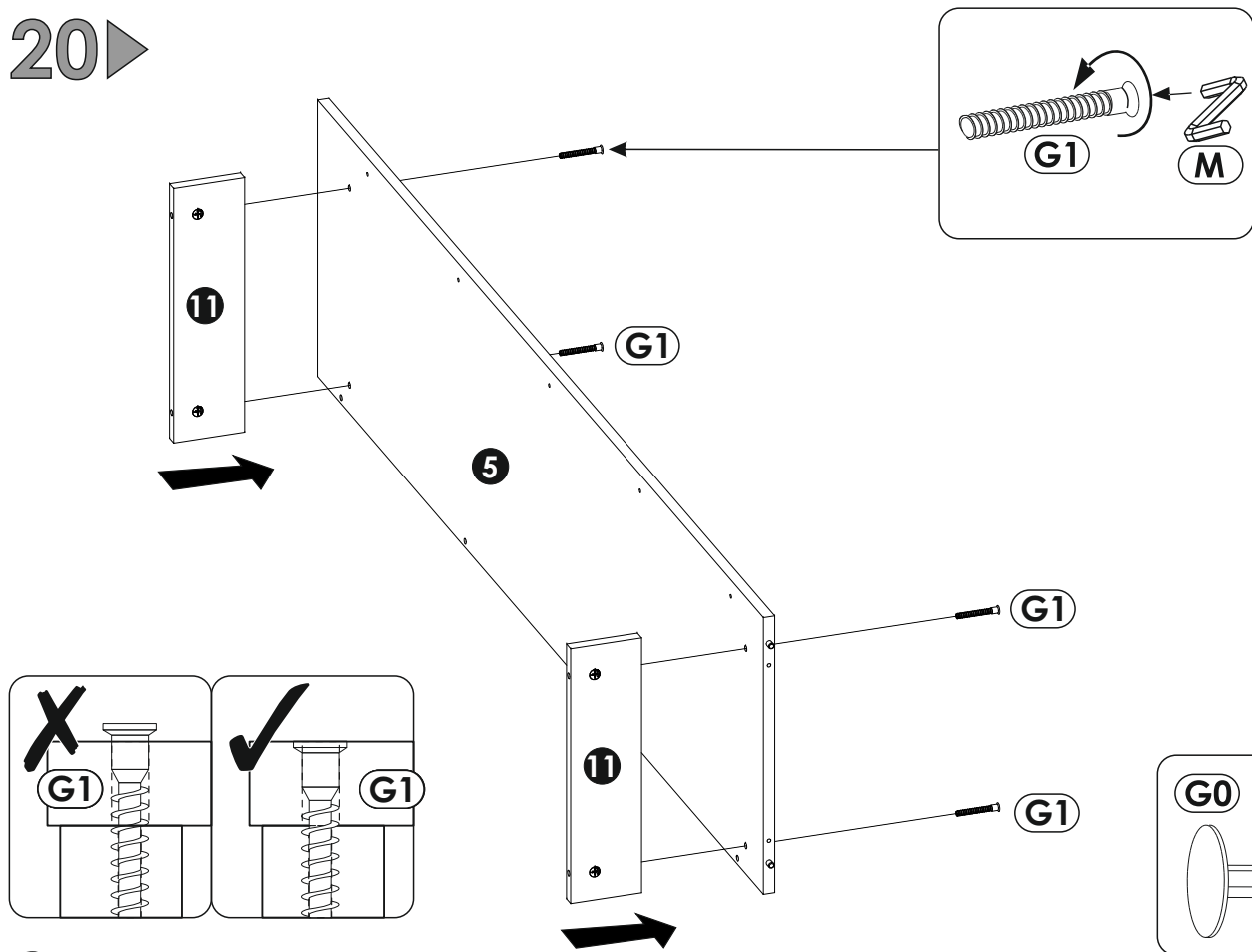
18▶



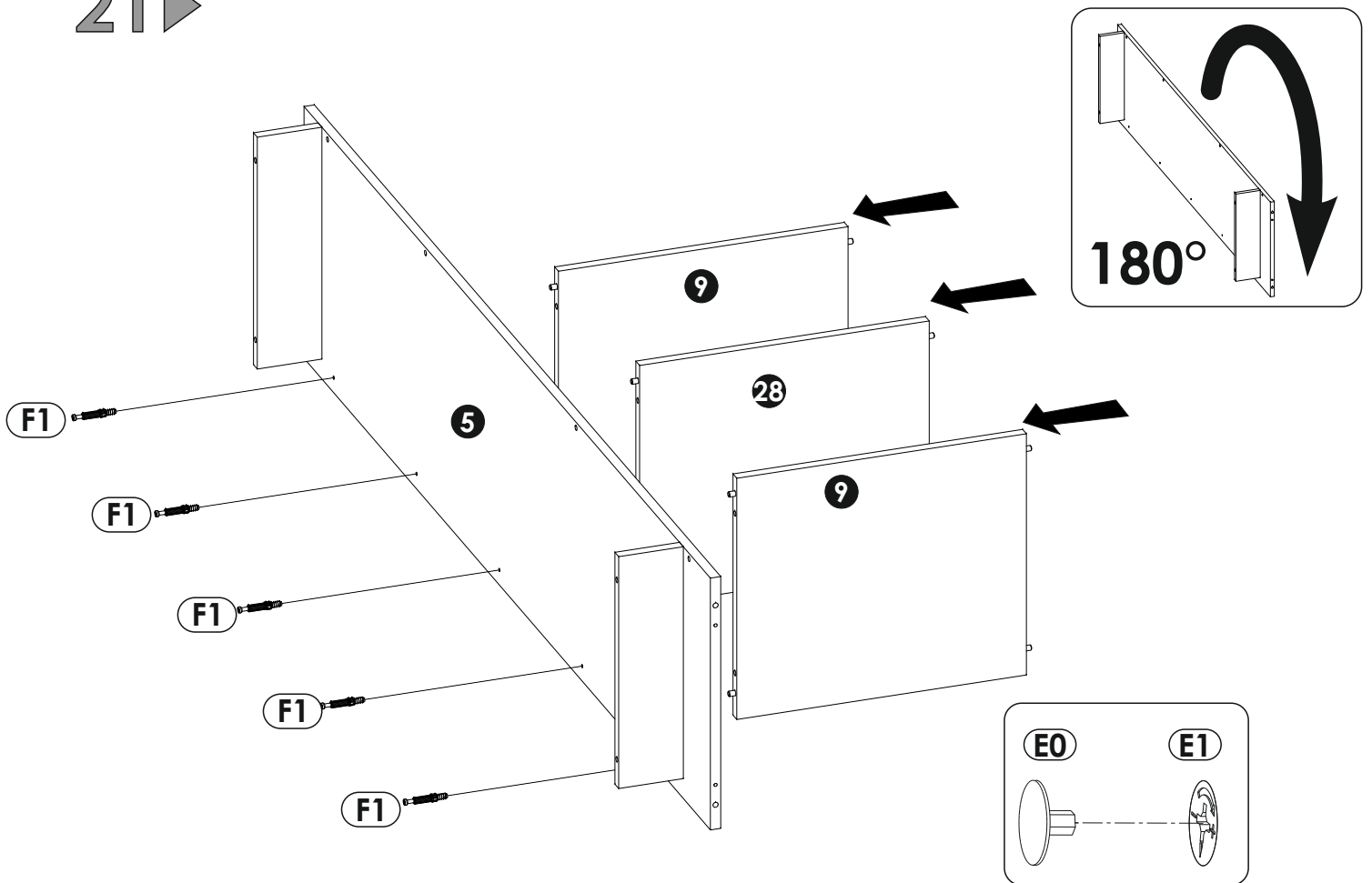
19▶



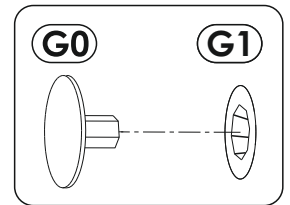
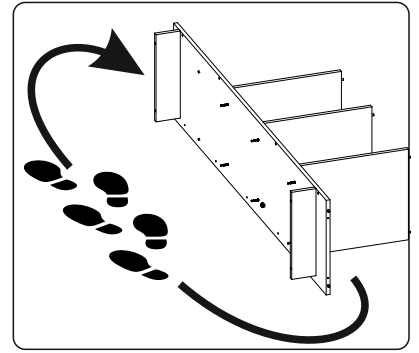
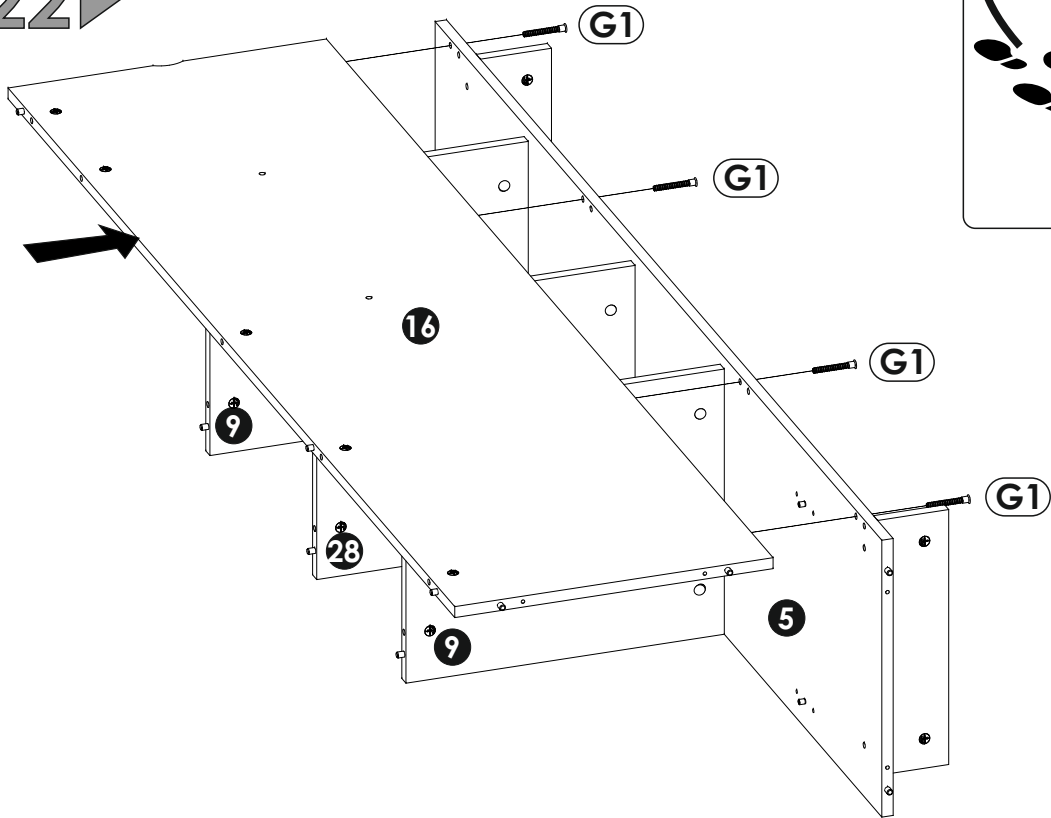
20 ▶



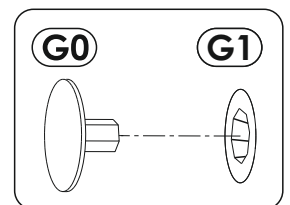
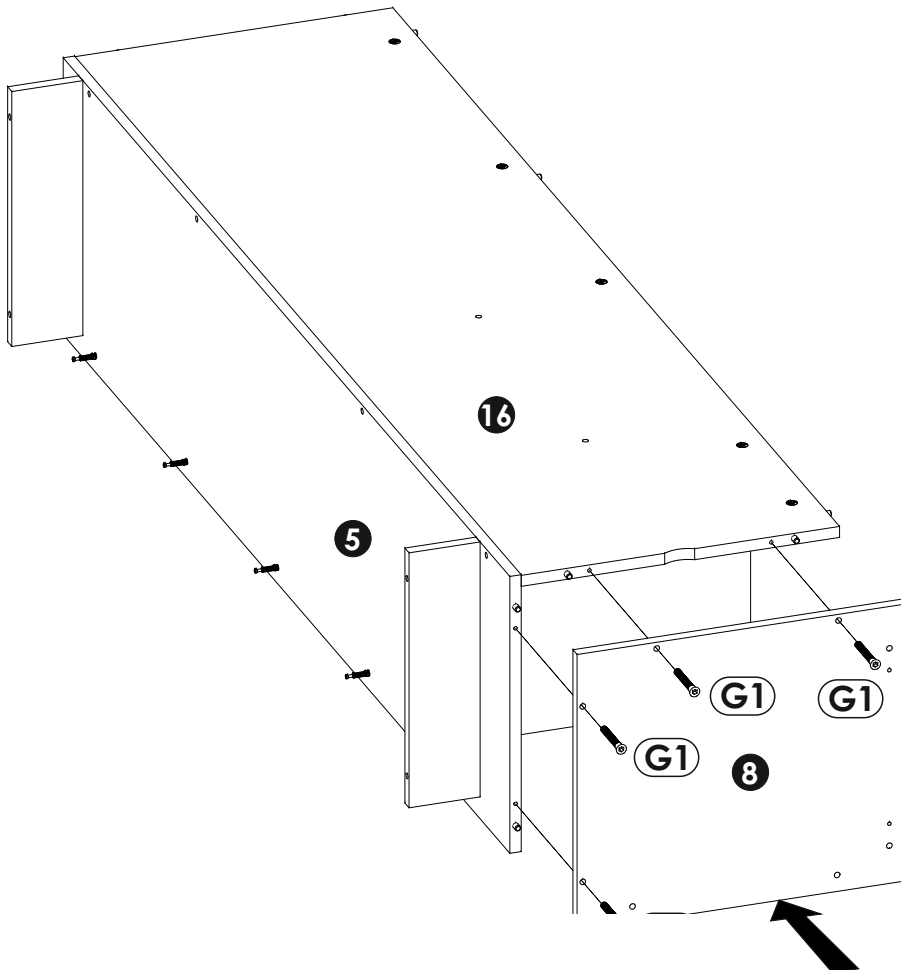
21 ▶



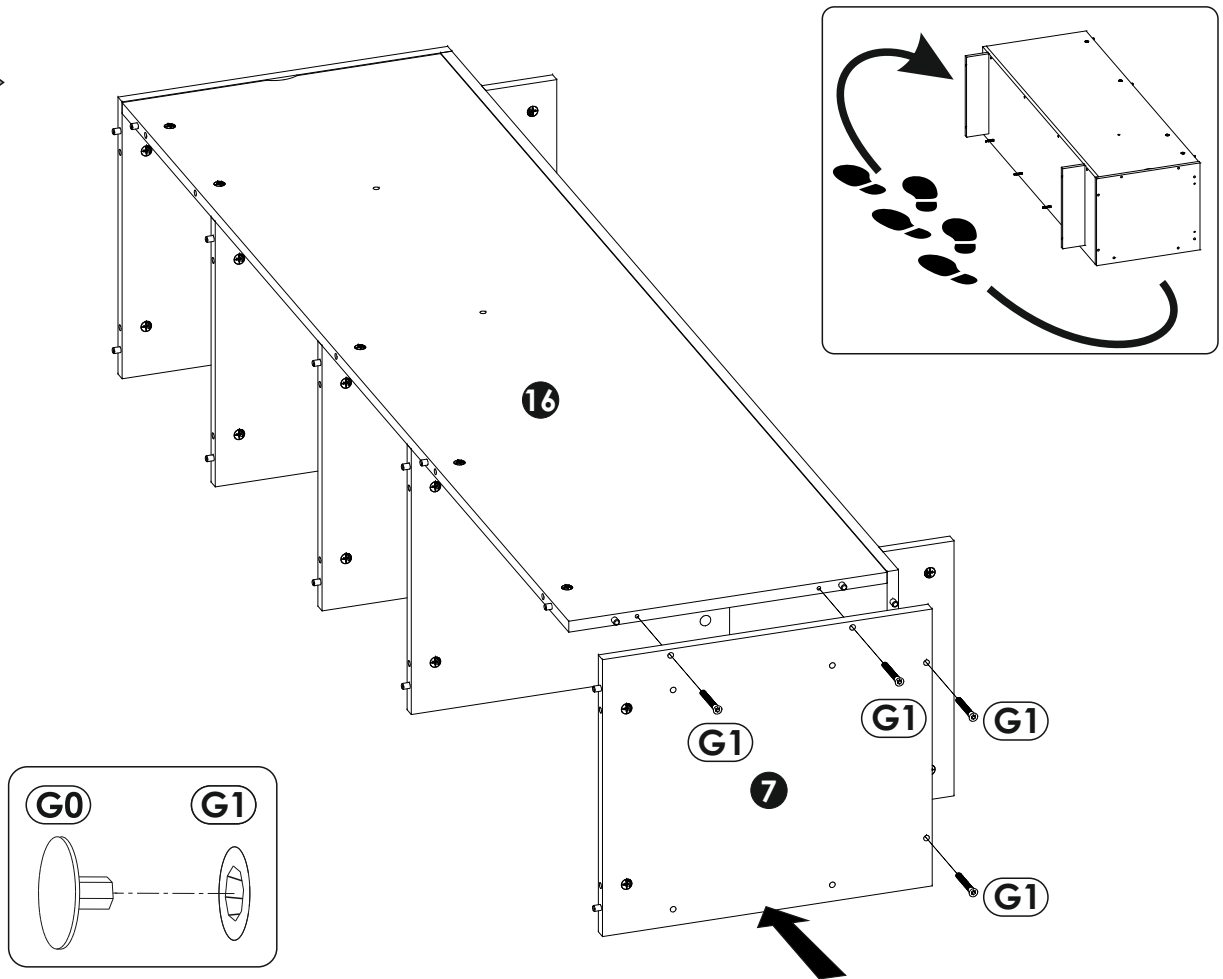
22 ▶



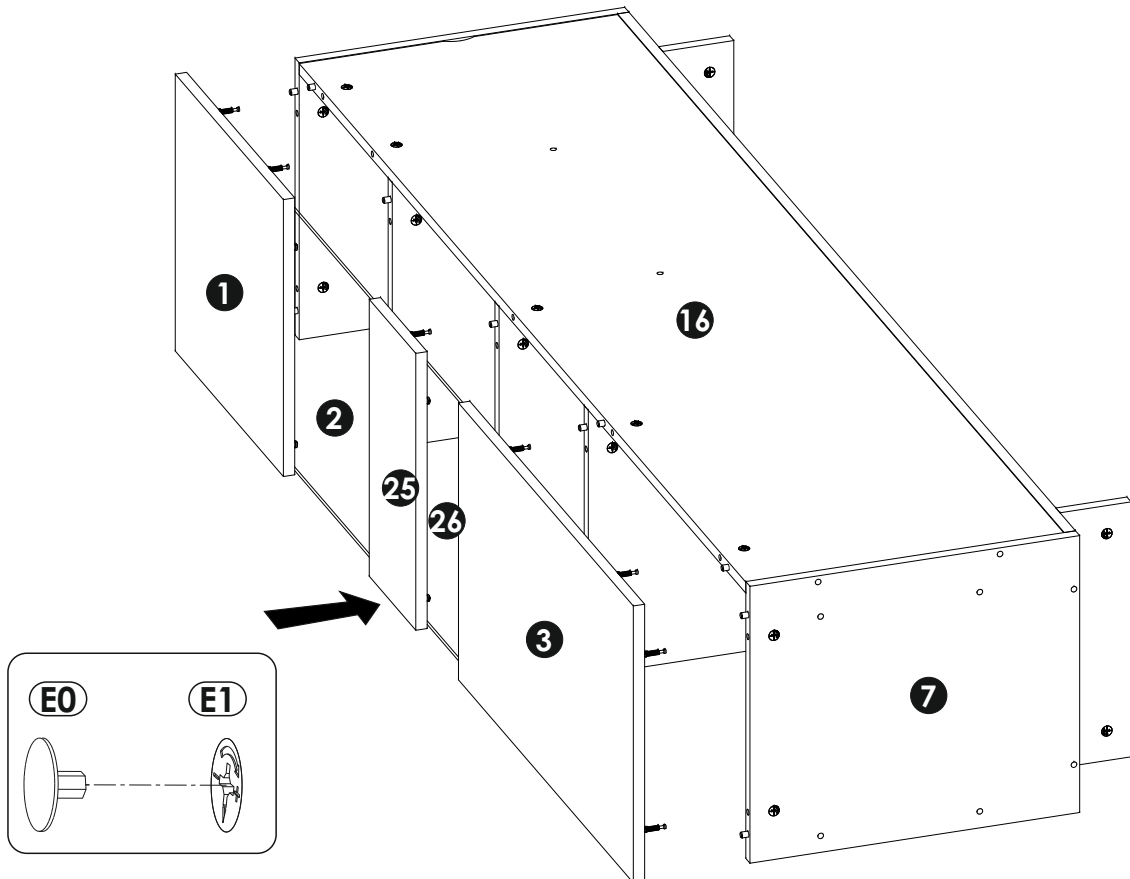
23 ▶



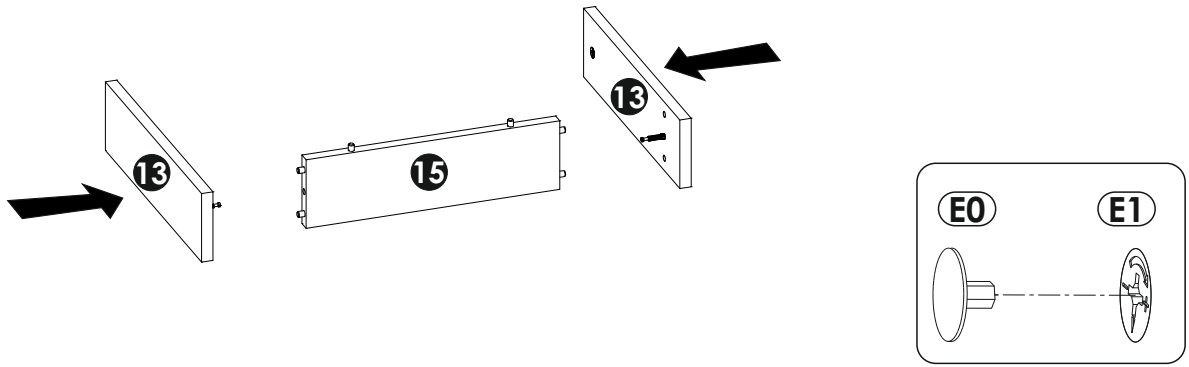
24▶



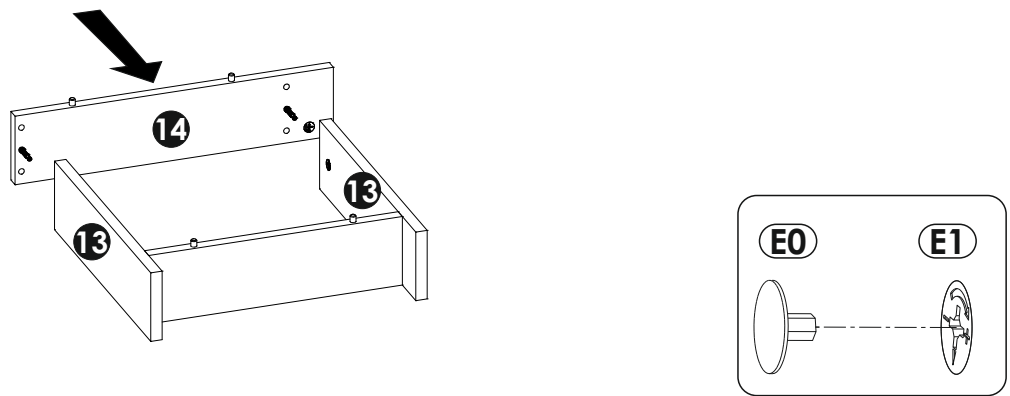
25▶



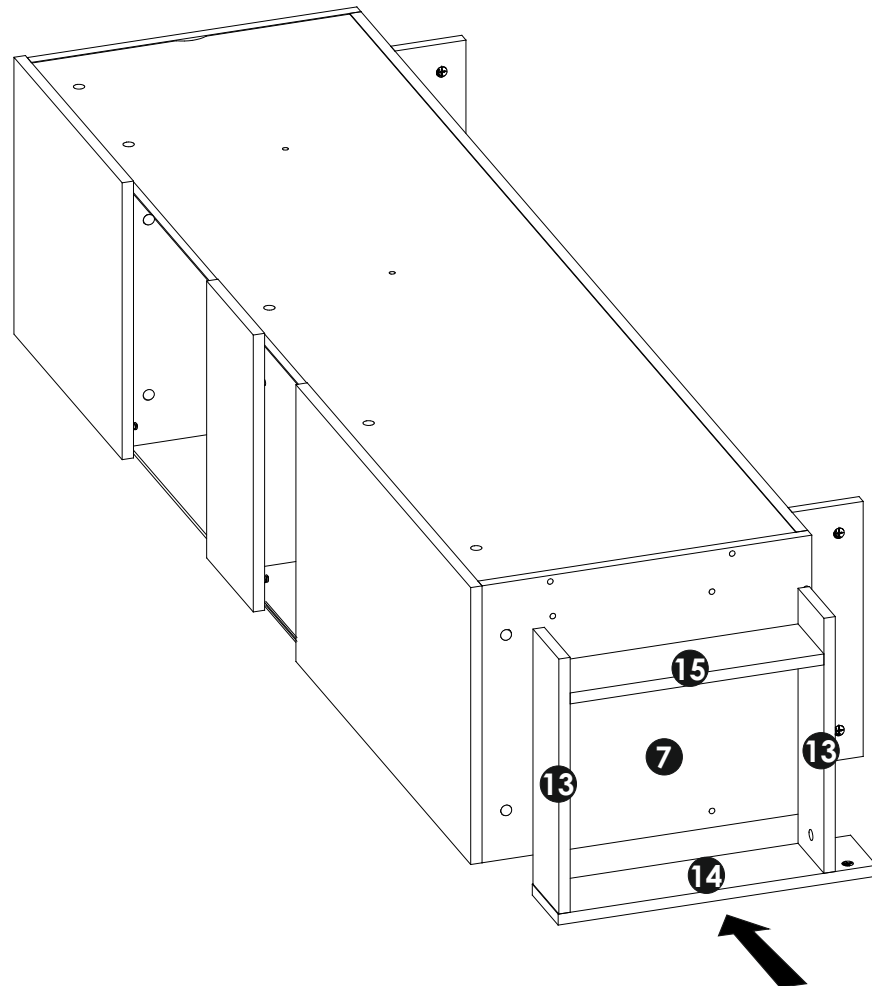
26 ▶



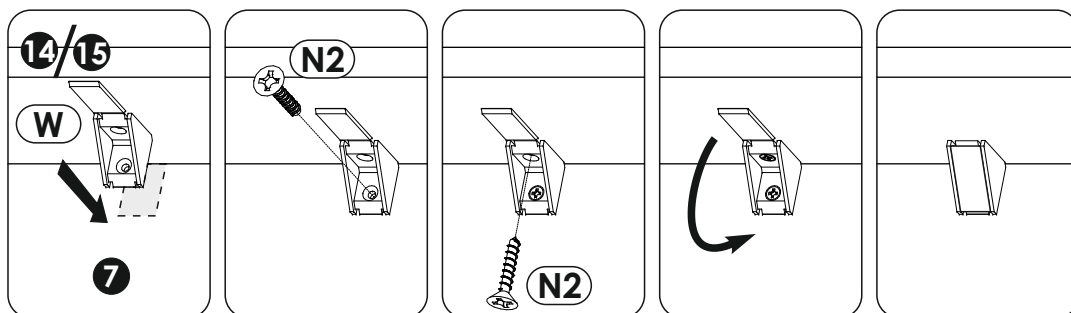
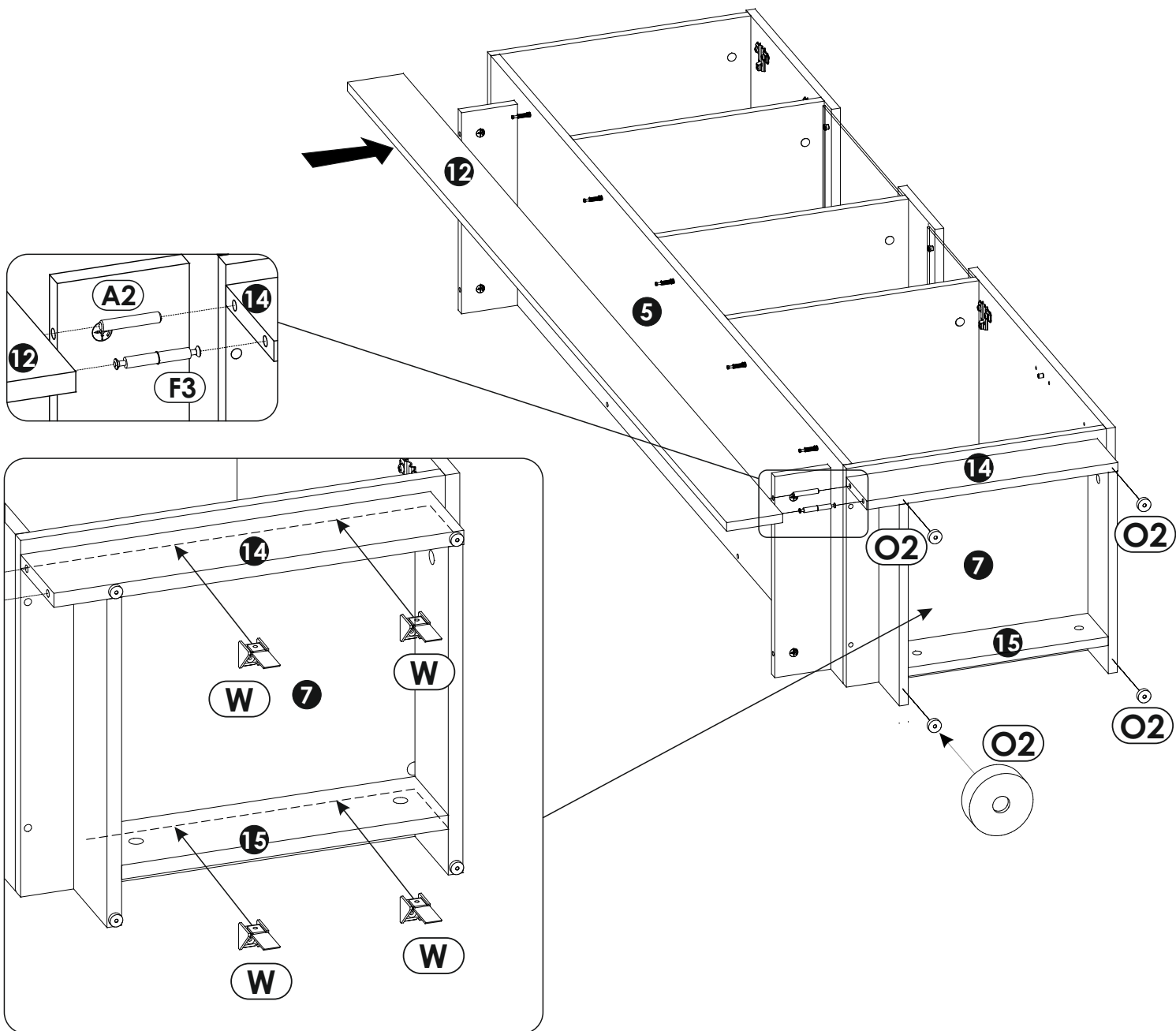
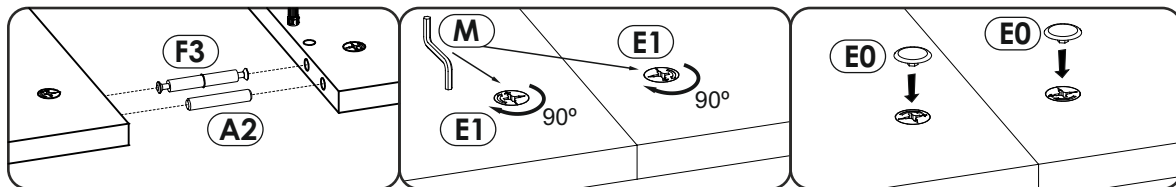
27 ▶



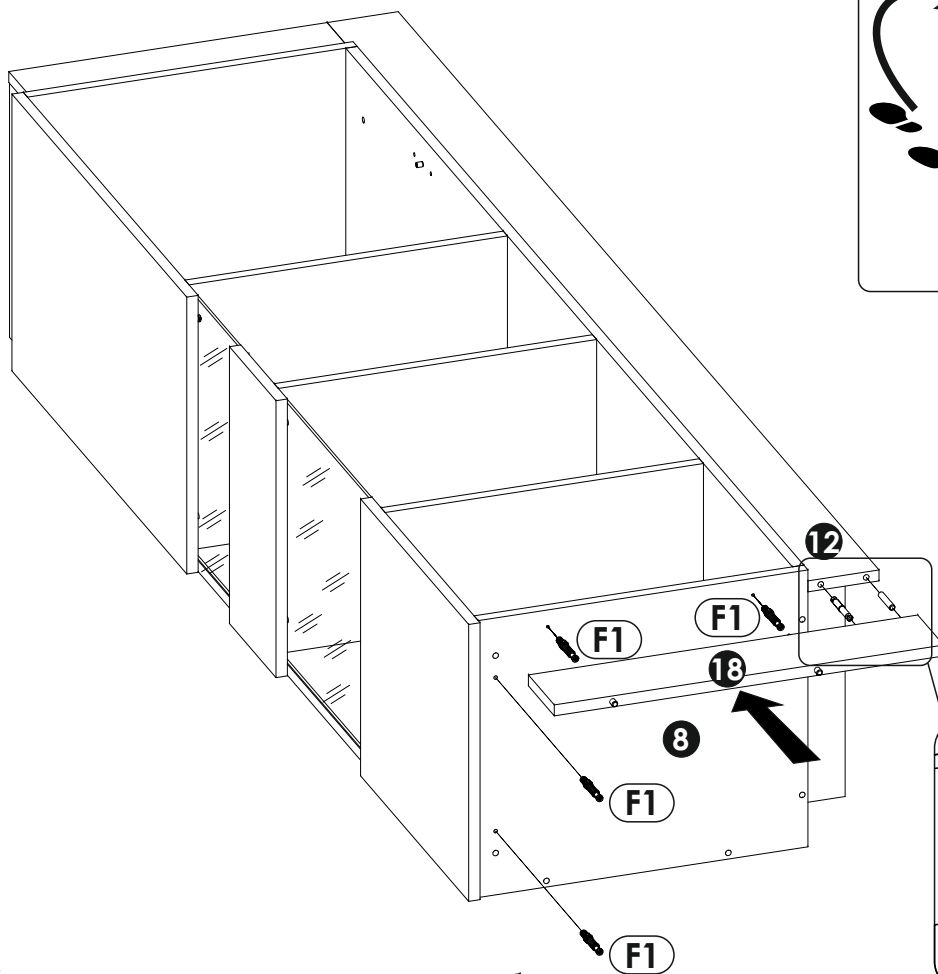
28 ▶



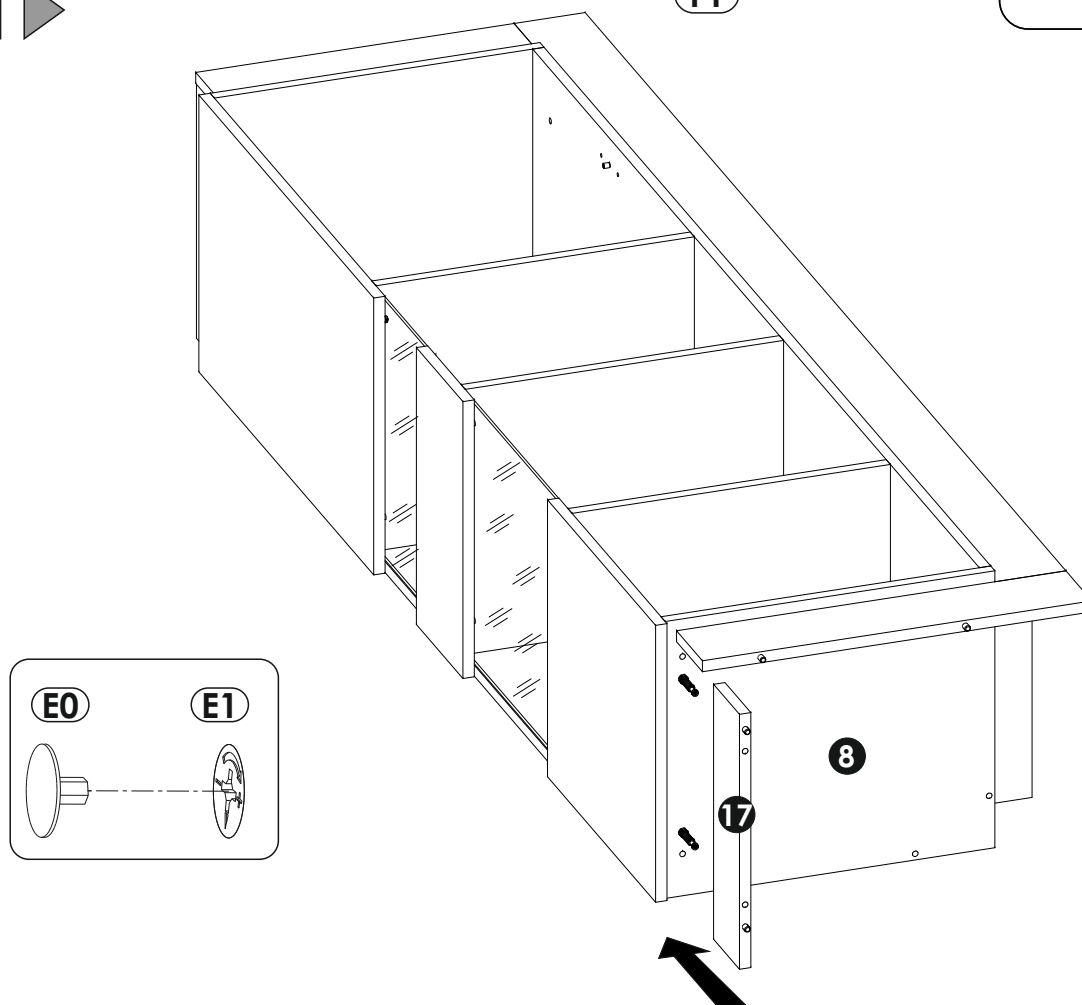
29 ▶



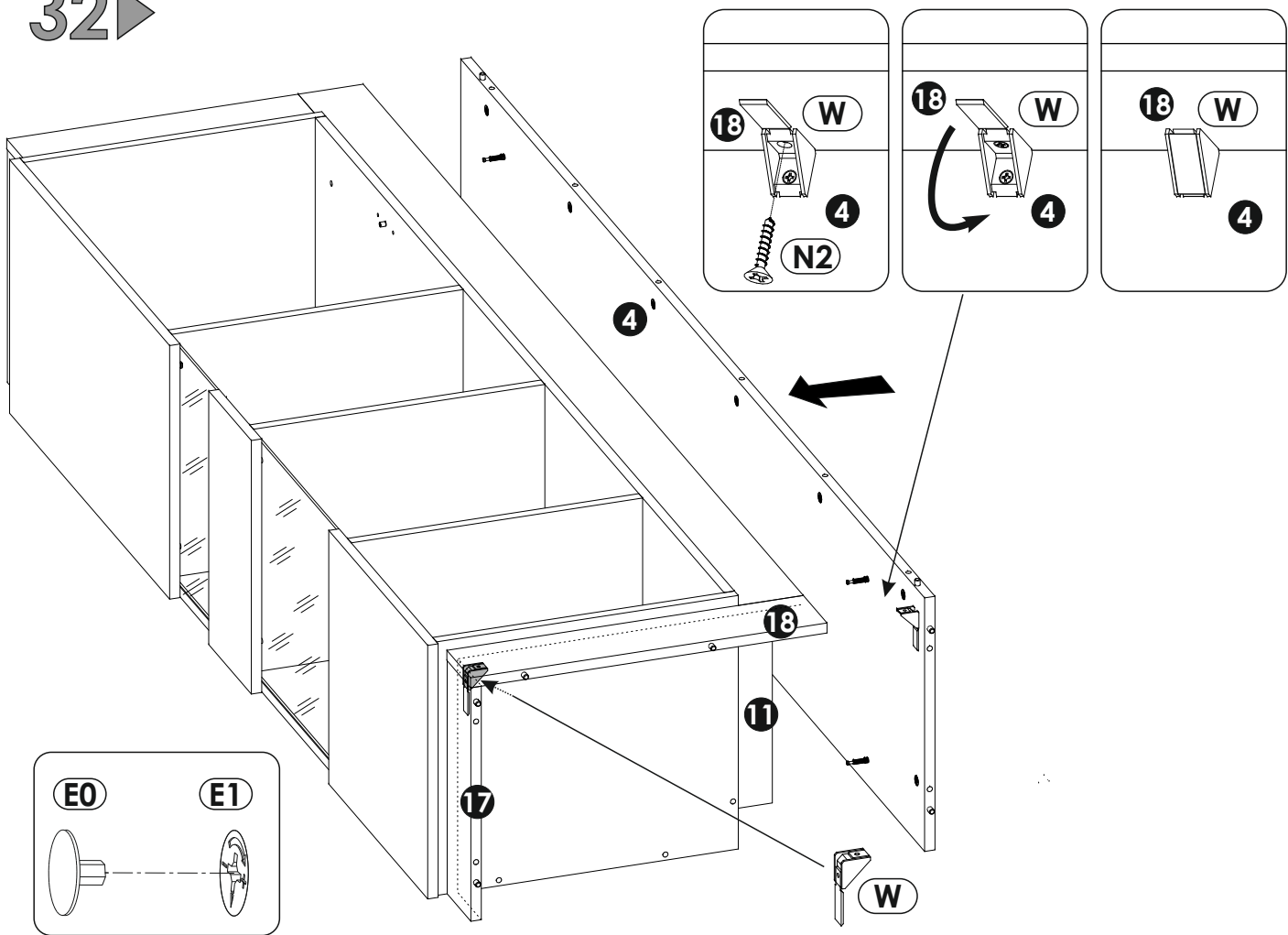
30 ▶



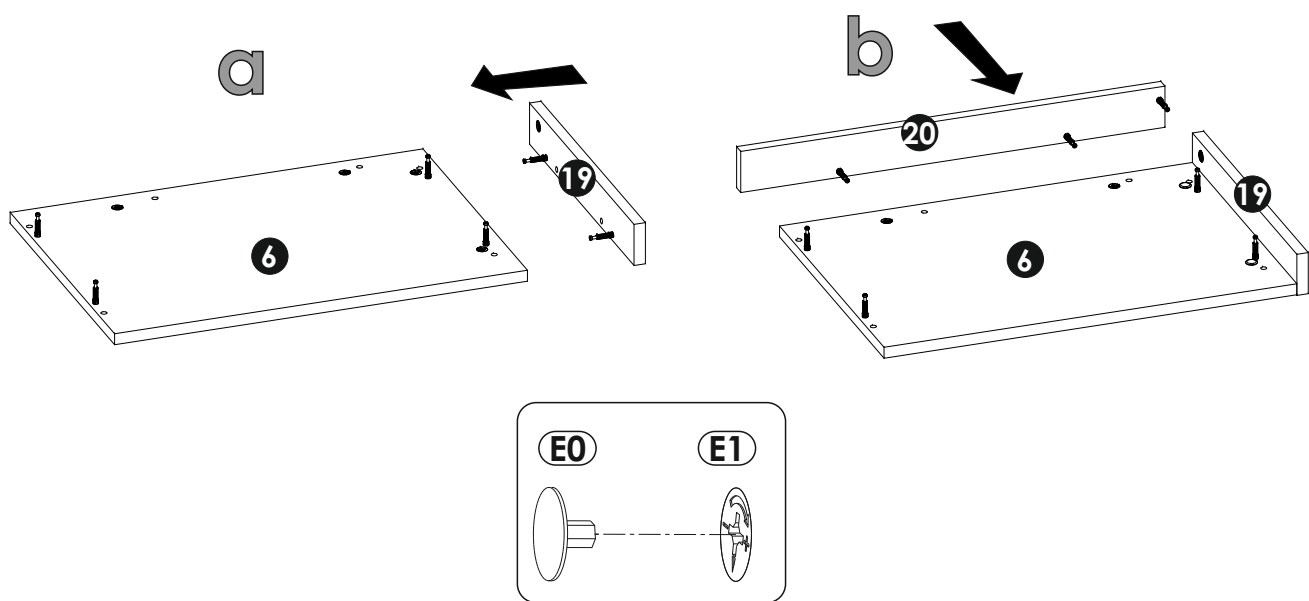
31 ▶



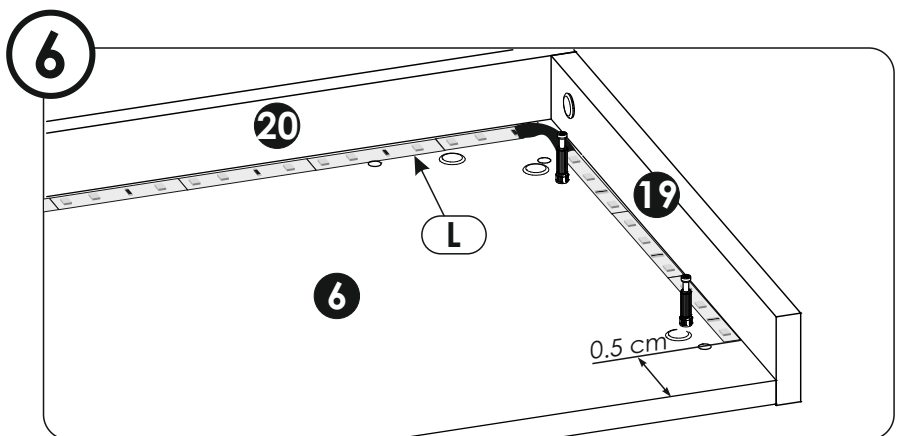
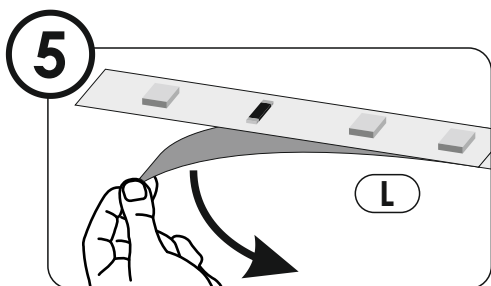
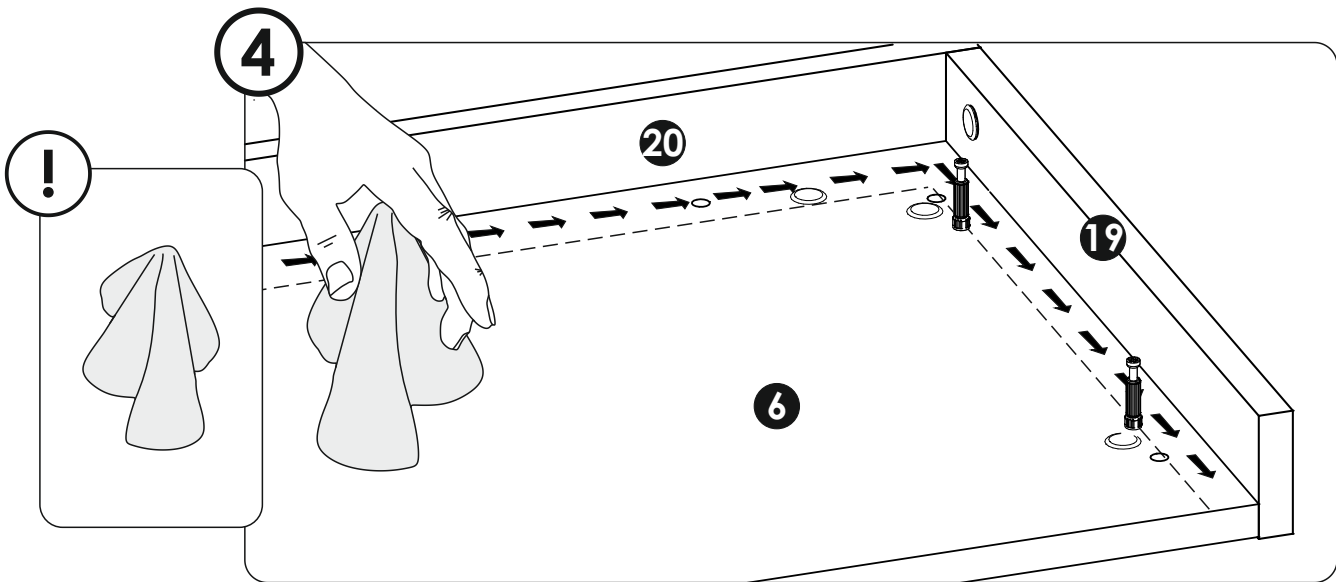
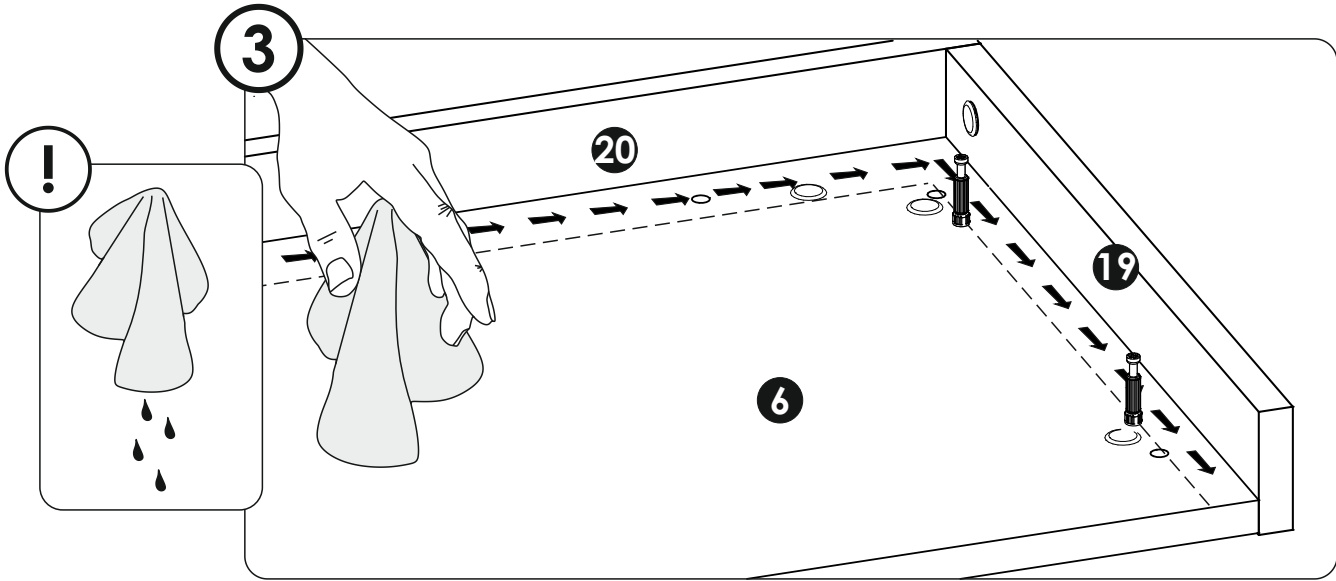
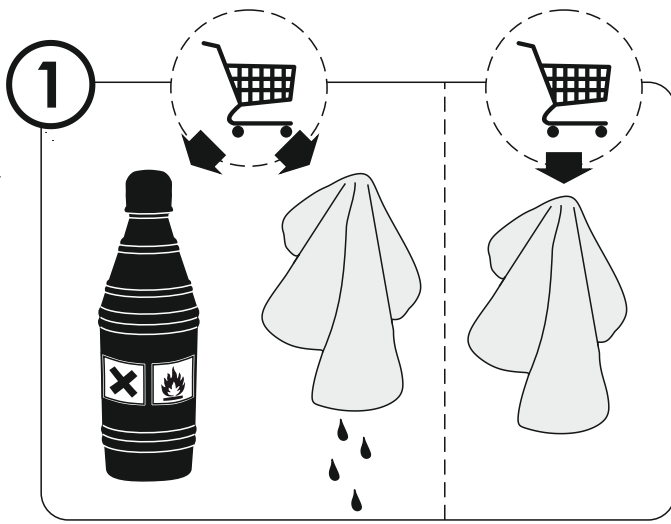
32 ▶



33 ▶



34 ➔



35 ▶

