

MM

260

250

240

230

220

210

200

190

180

170

160

150

140

130

120

110

100

90

80

70

60

50


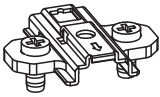
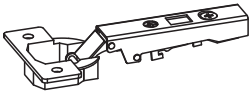

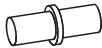





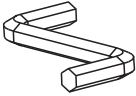


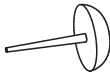


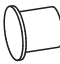

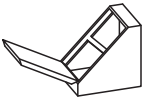
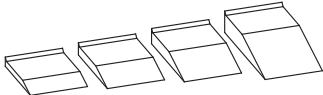
40

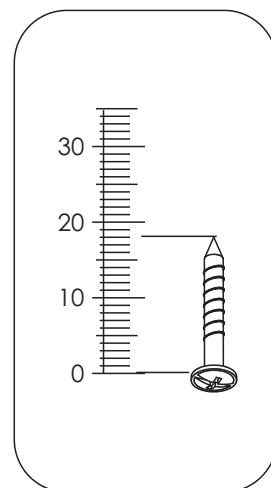
30

20

10

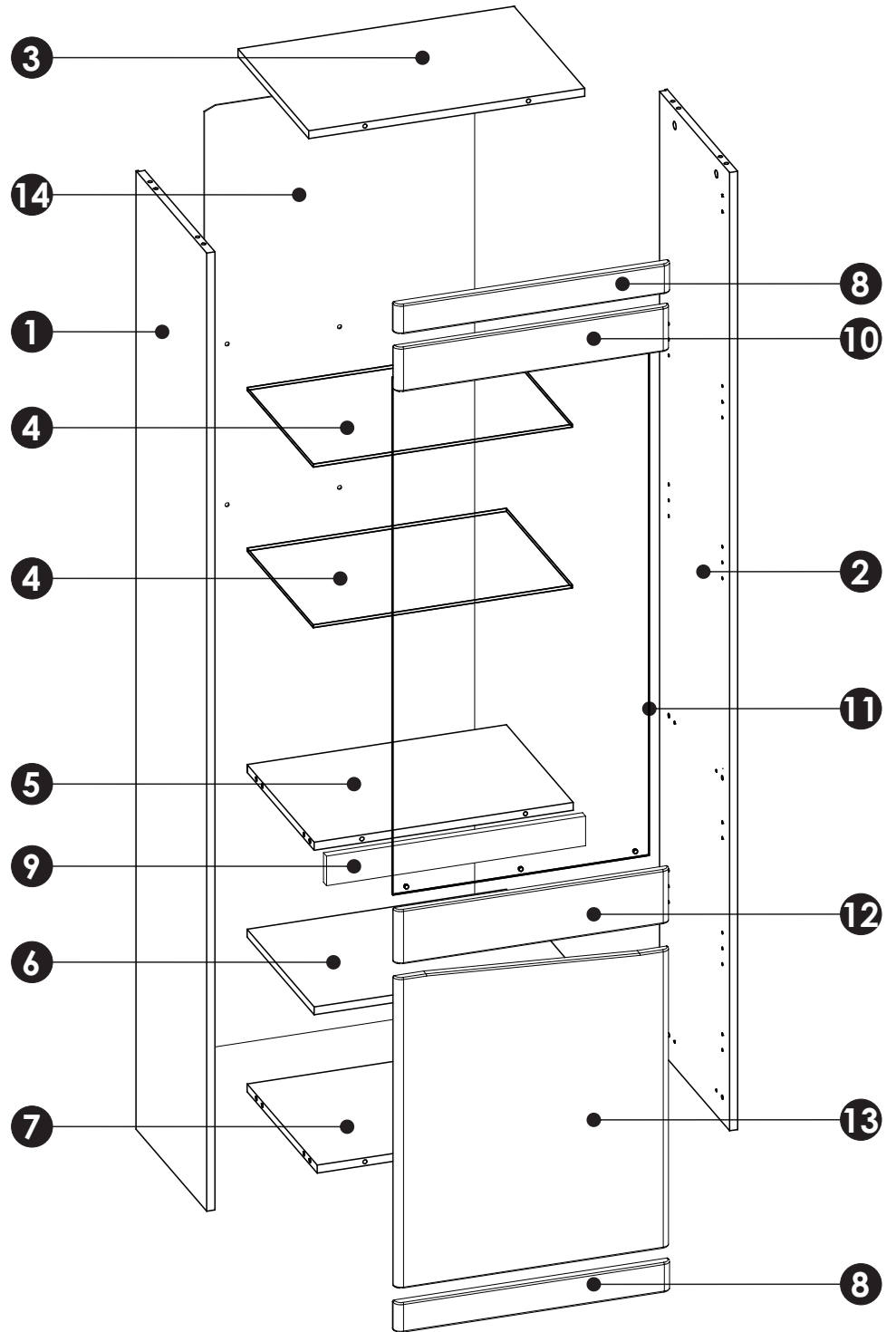
0

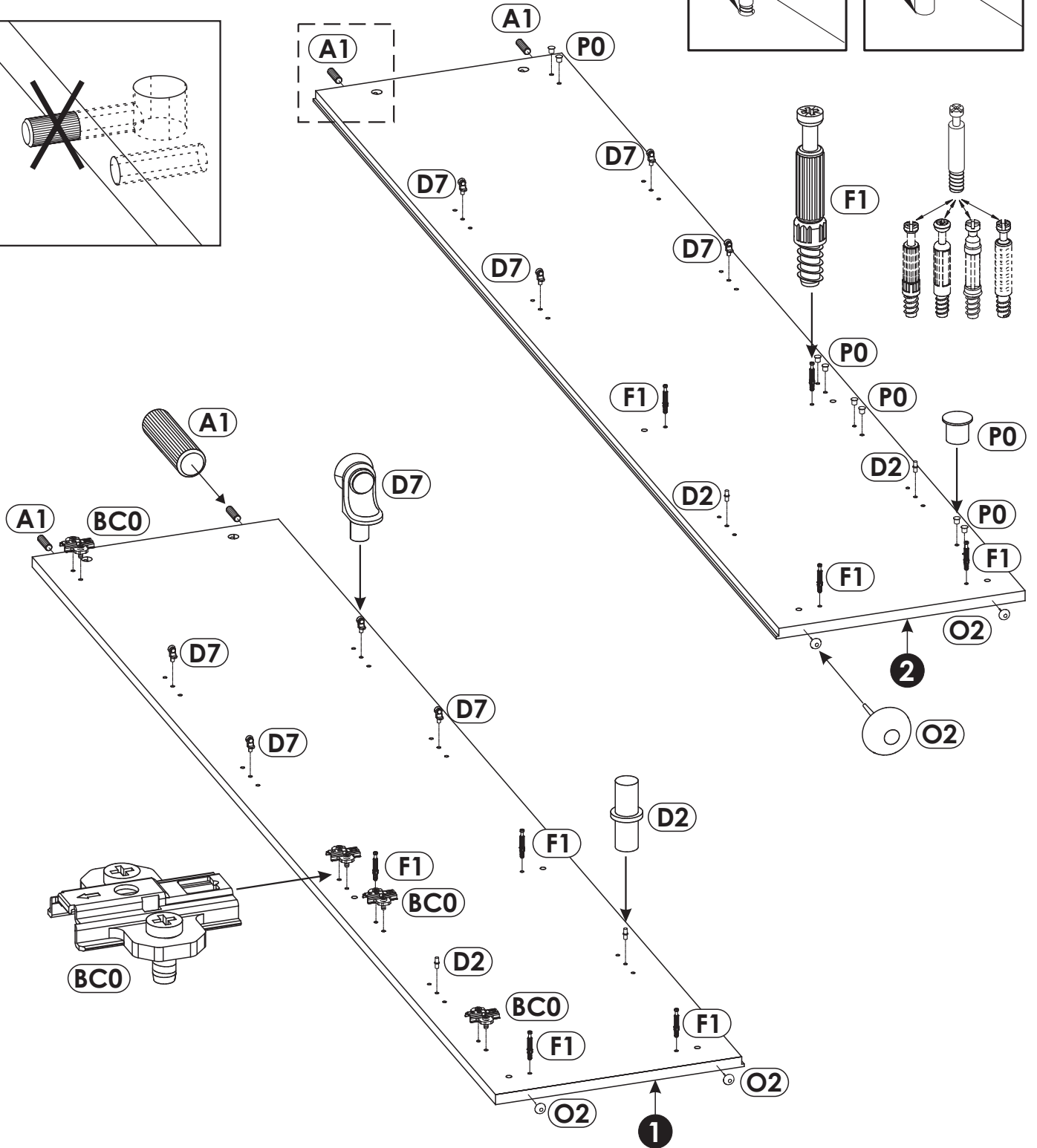
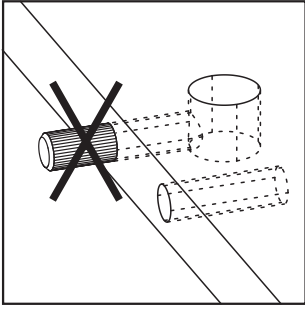
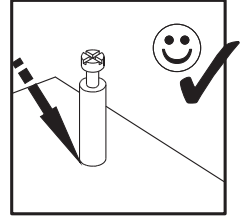
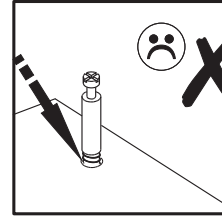
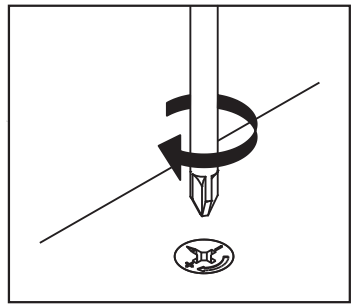
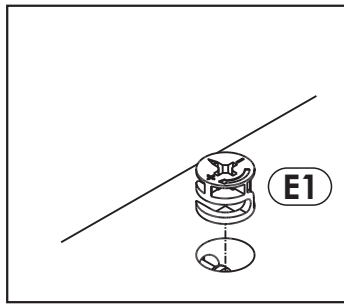
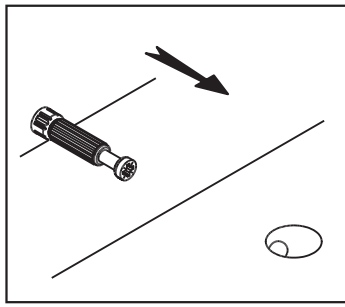
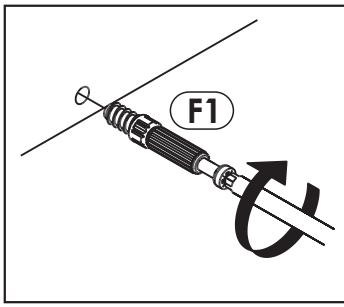
<p><b>A1</b> x 18 <math>\varnothing</math>8 x 35 mm</p> 	<p><b>BC0</b> x 4</p> 	<p><b>BC1</b> x 4</p> 
<p><b>C1</b> x 8 EURO 4 x 13 mm</p> 	<p><b>D2</b> x 4</p> 	<p><b>D7</b> x 8</p> 
<p><b>E0</b> x 12</p> 	<p><b>E1</b> x 12 <math>\varnothing</math>15 x 12 mm</p> 	<p><b>F1</b> x 12</p> 
<p><b>I2</b> x 7 4 x 16 mm</p> 	<p><b>M</b> x 1</p> 	<p><b>N1</b> x 40 3 x 16 mm</p> 
<p><b>N2</b> x 12 3,5 x 16 mm</p> 	<p><b>O2</b> x 4</p> 	<p><b>Q9</b> x 1</p> 
<p><b>P0</b> x 8 <math>\varnothing</math>5</p> 	<p><b>P9</b> x 4 <math>\varnothing</math>8</p> 	<p><b>R3</b> x 6</p> 
<p><b>W</b> x 6</p> 	<p><b>Z</b> x 1</p> 	



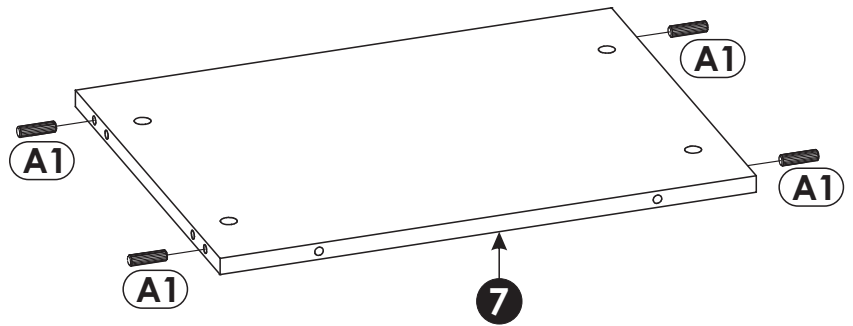
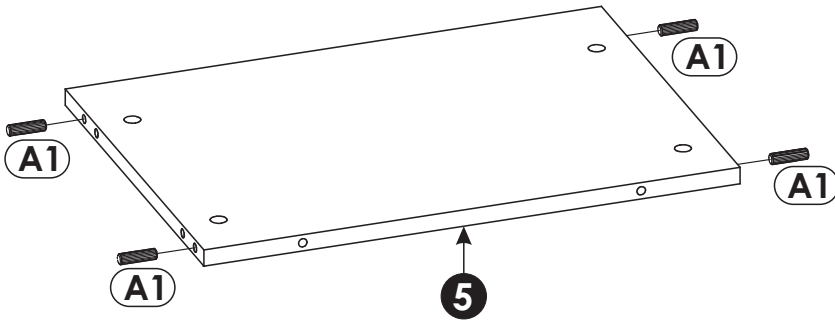
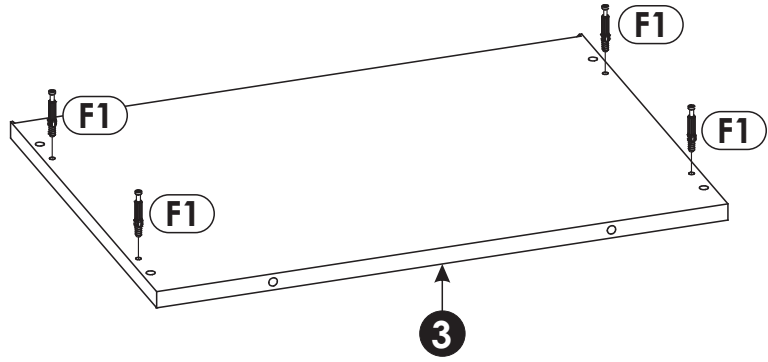


<b>1</b>	1944	380	16 x1	2/2
<b>2</b>	1944	380	16 x1	2/2
<b>3</b>	540	380	16 x1	1/2
<b>4</b>	506	335	6 x2	1/2
<b>5</b>	507	359	16 x1	1/2
<b>6</b>	507	360	16 x1	1/2
<b>7</b>	507	376	16 x1	1/2
<b>8</b>	540	60	19 x2	1/2
<b>9</b>	507	60	16 x1	1/2
<b>10</b>	538	90	16 x1	1/2
<b>11</b>	1049	502	4 x1	2/2
<b>12</b>	538	110	16 x1	1/2
<b>13</b>	538	630	16 x1	1/2
<b>14</b>	1910	529	3 x1	2/2

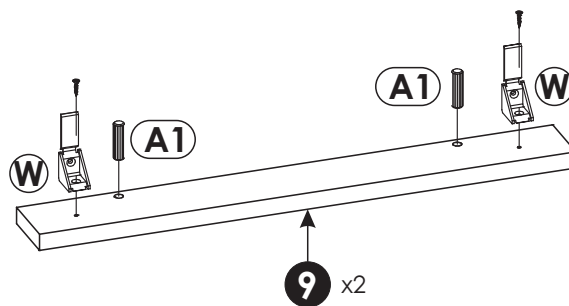
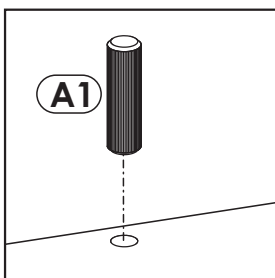
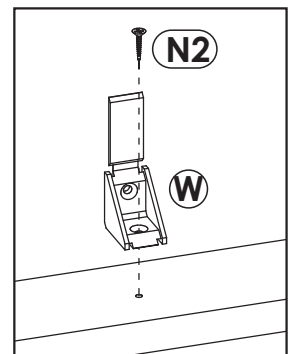
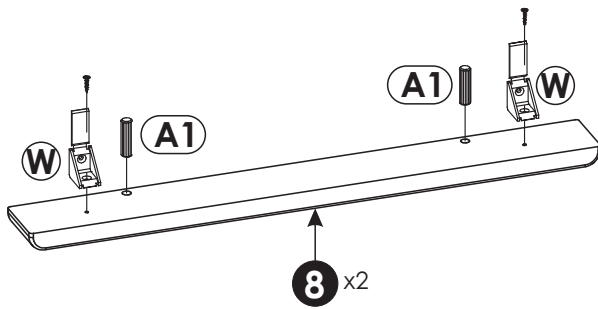




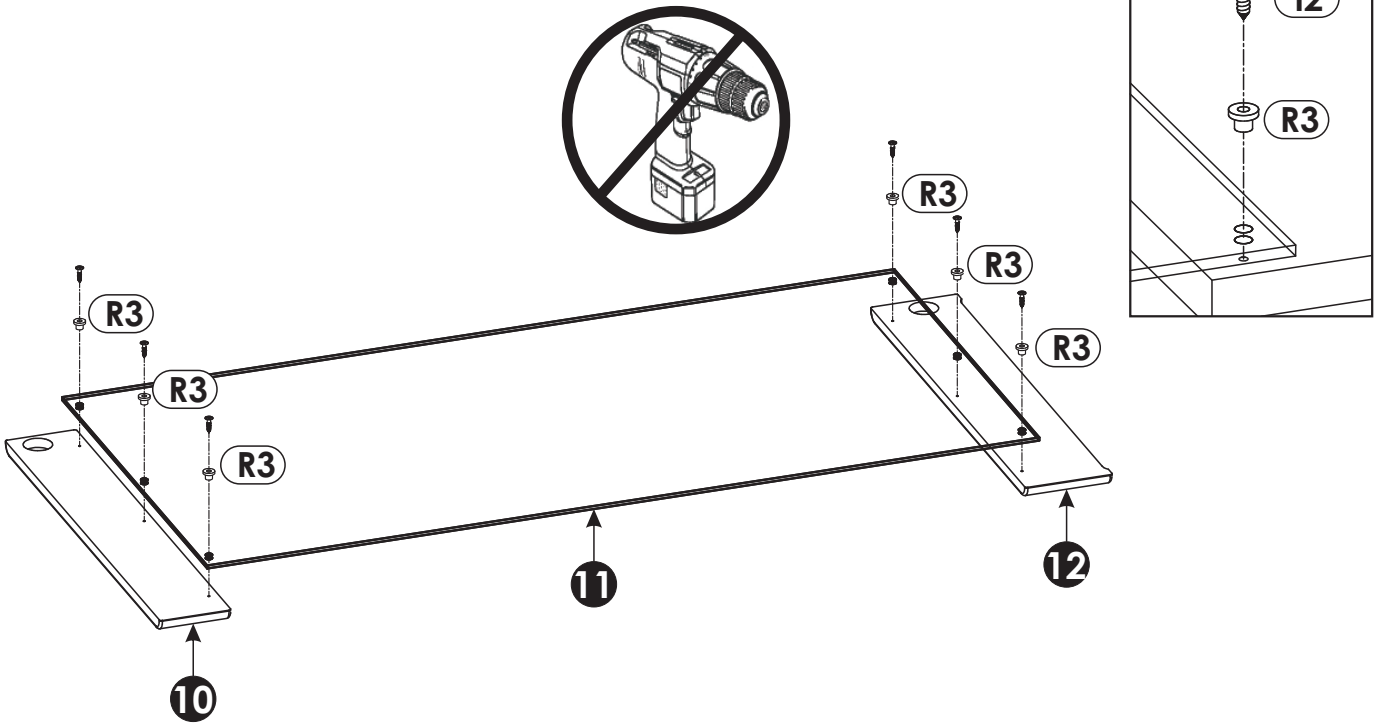
2 ▶



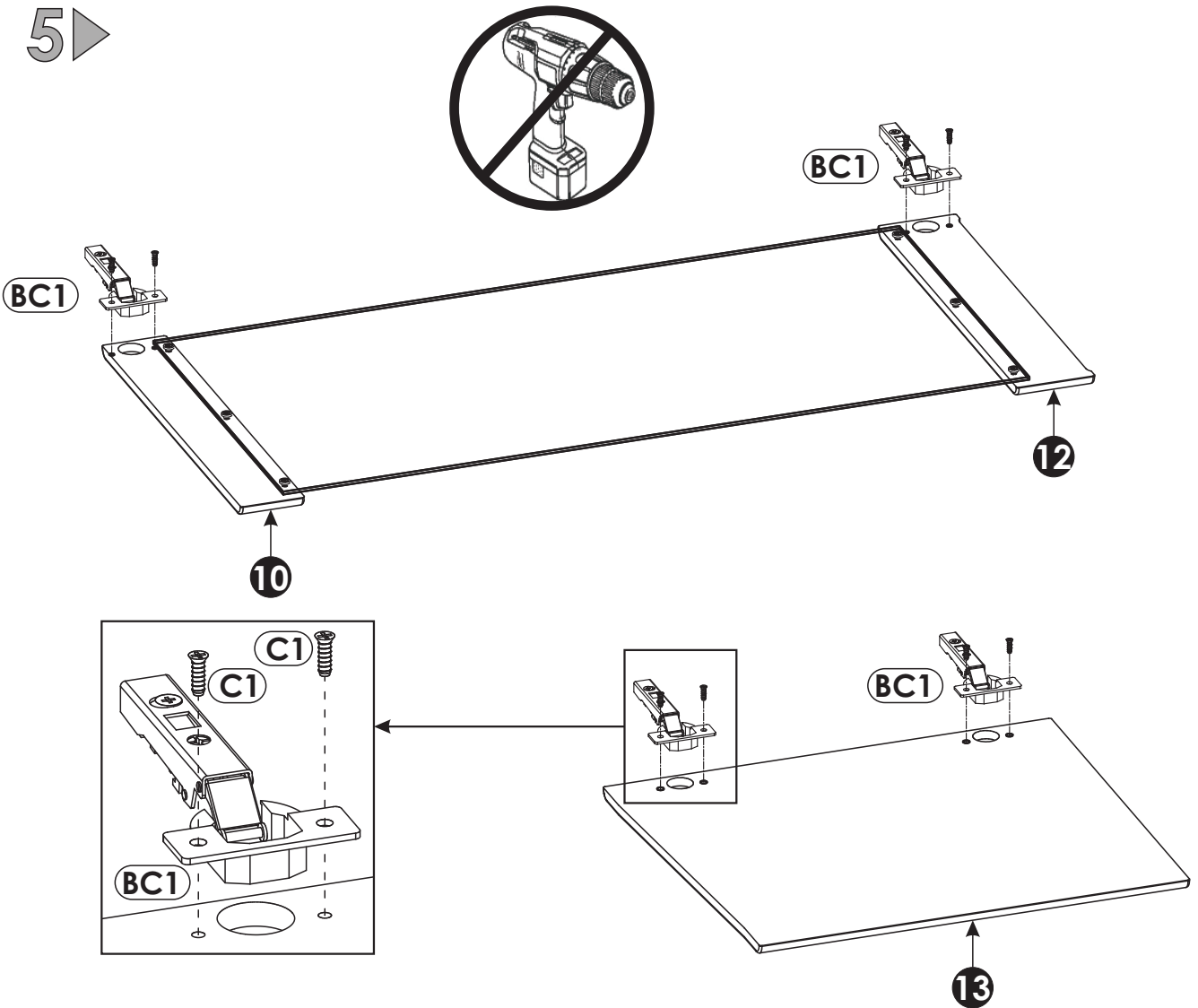
3 ▶



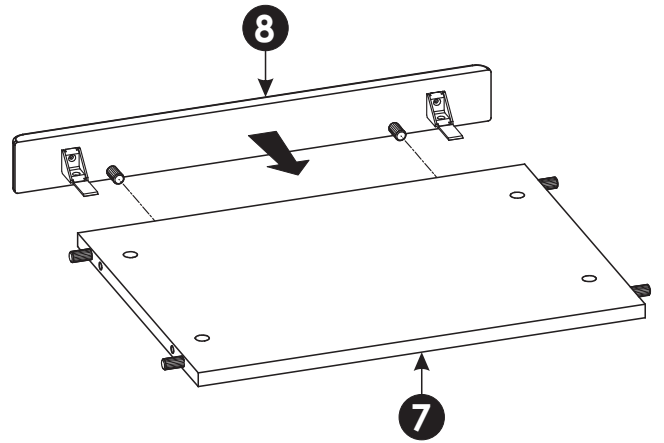
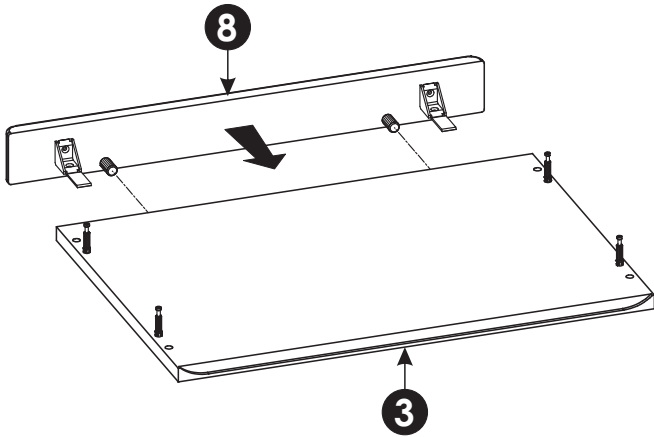
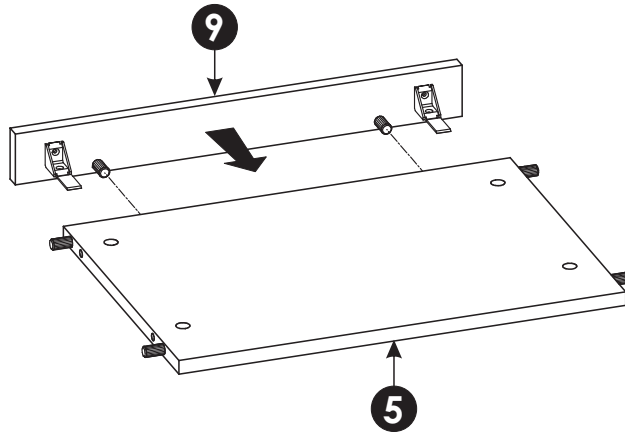
4 ▶



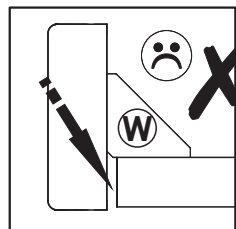
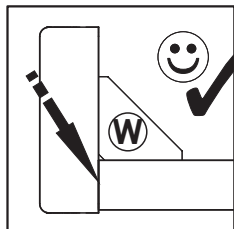
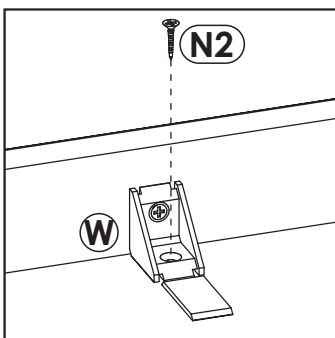
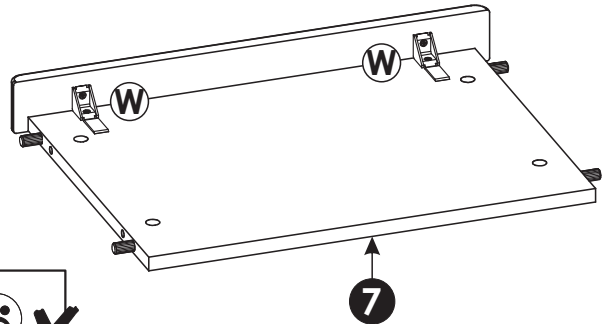
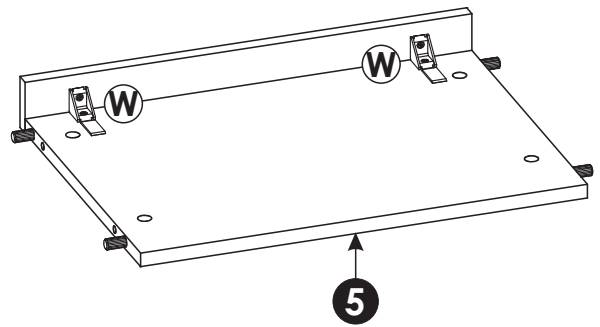
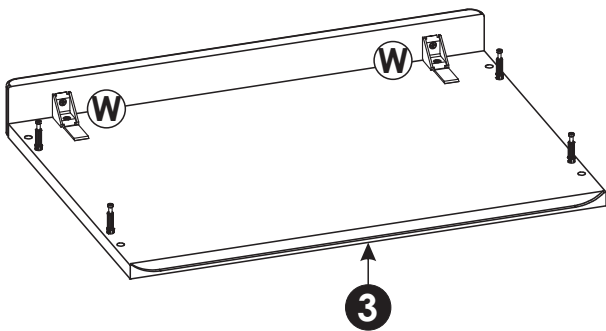
5 ▶



6 ▶

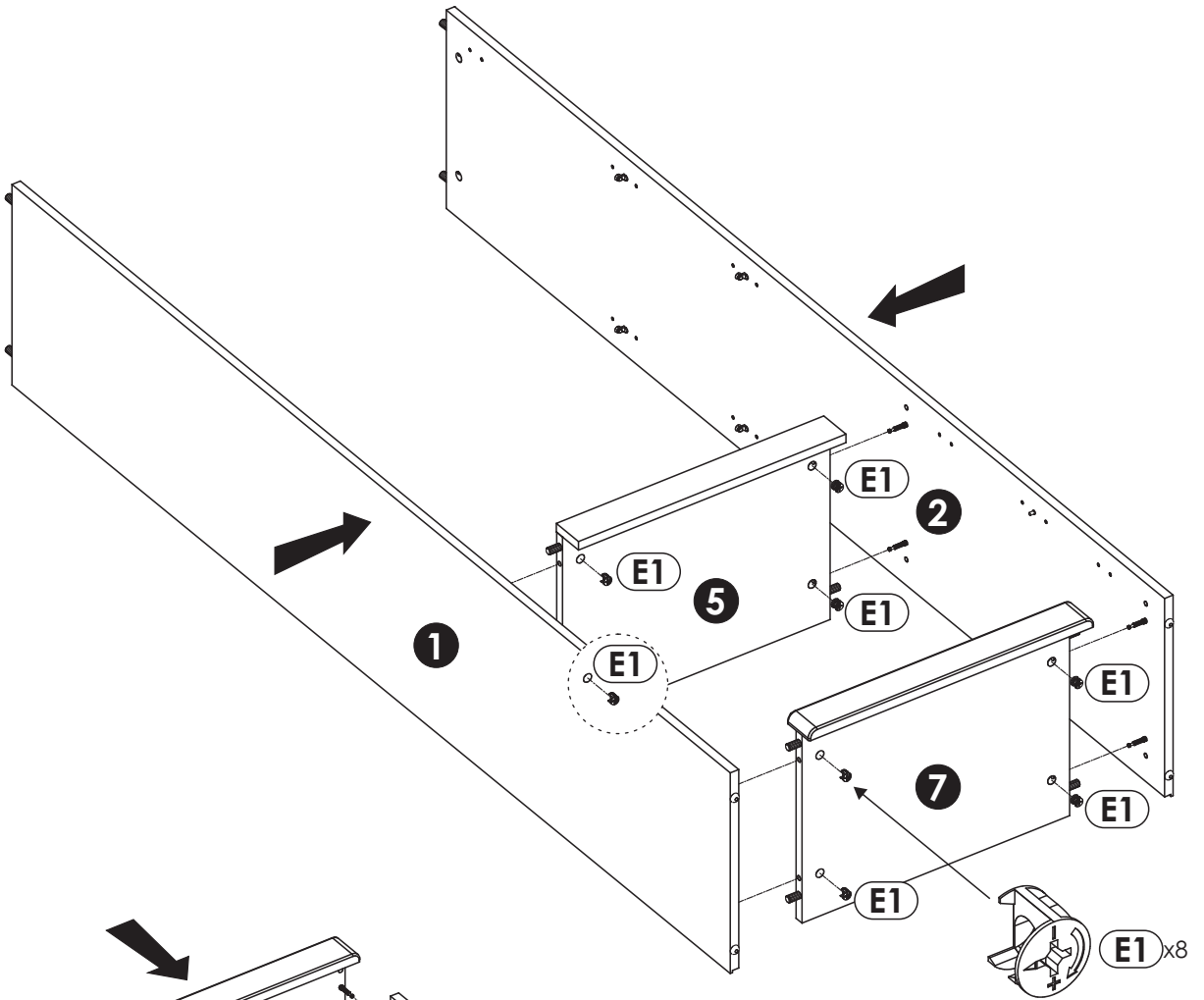


7 ▶

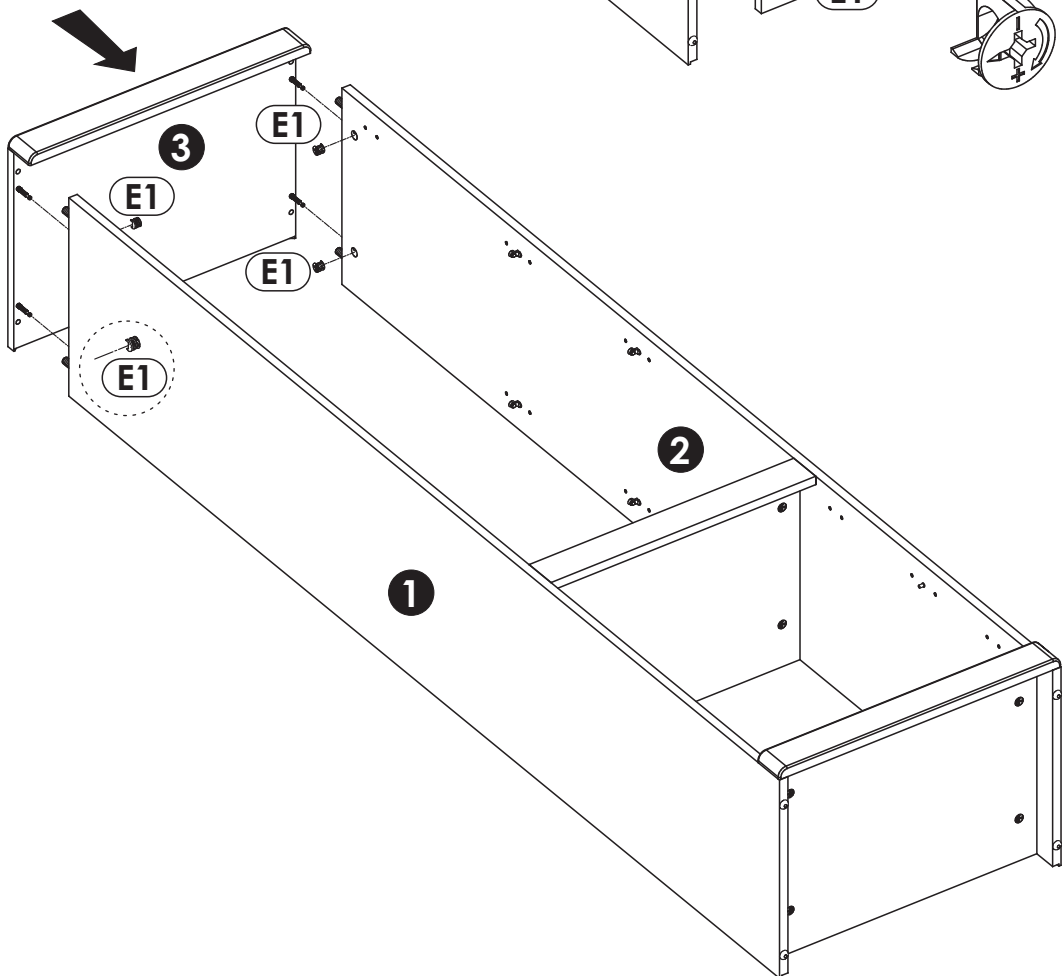




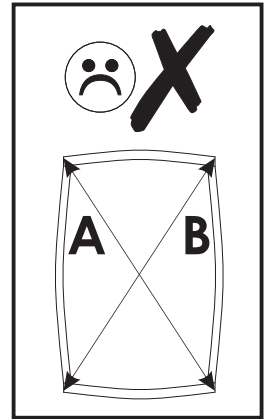
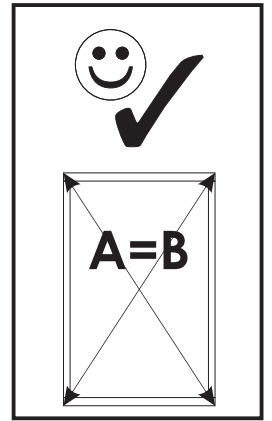
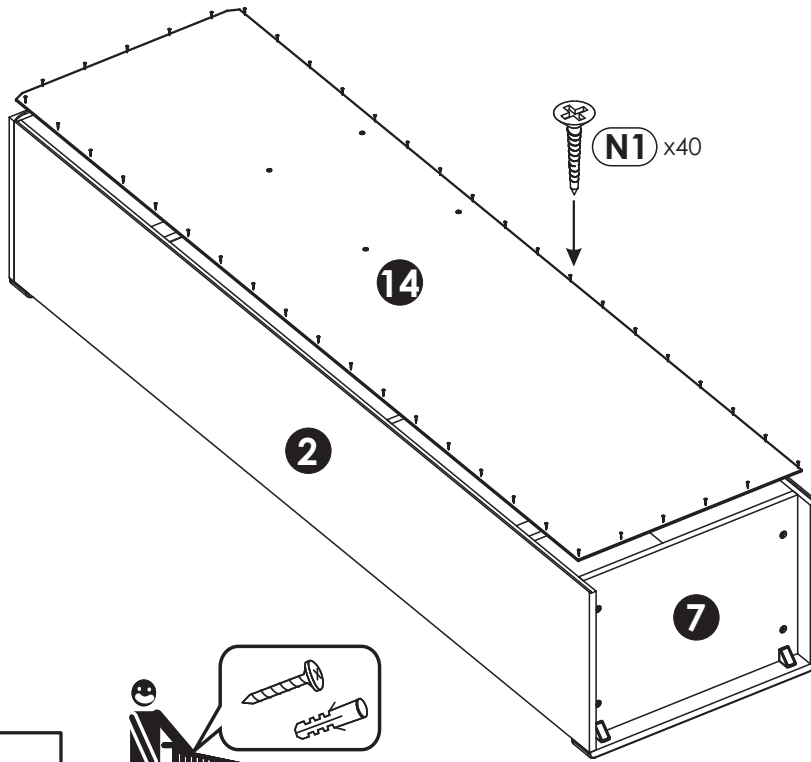
8 ▶



9 ▶



10 ▶



11 ▶

