

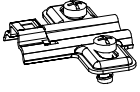


version A

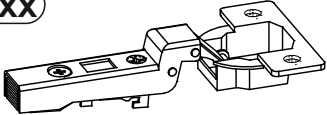


version B

BCxx



BCxx



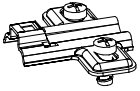
BCxx + BCxx



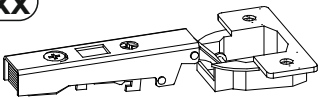
BCxx



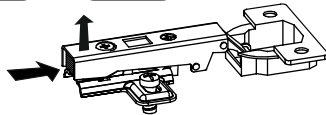
BCxx



BCxx



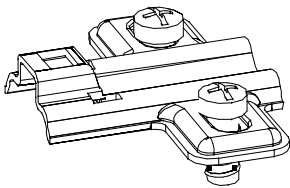
BCxx + BCxx



BCxx

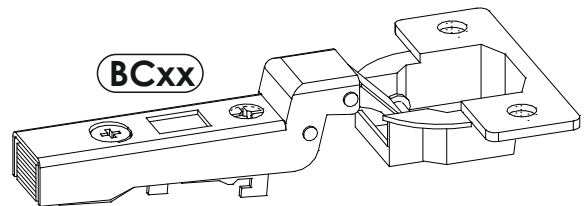


BCxx

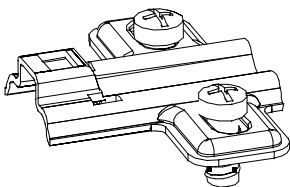


OK

BCxx

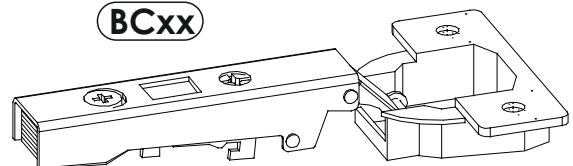


BCxx



OK

BCxx



MM

260

250

240

230

220

210

200

190

180

170

160

150

140

130

120

110

100

90

80

70

60

50

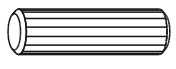
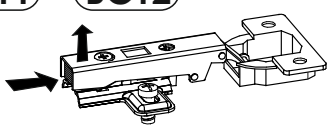
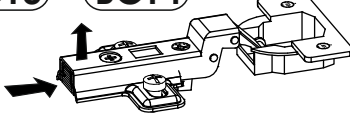


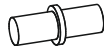


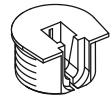
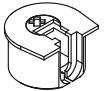






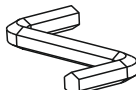

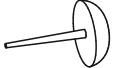
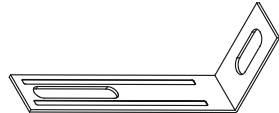

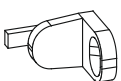
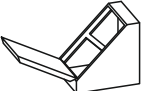
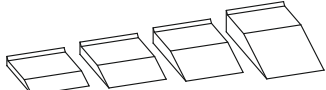

40

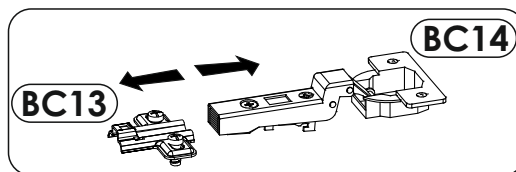
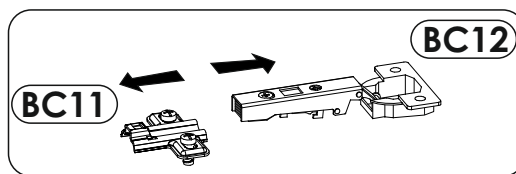
30

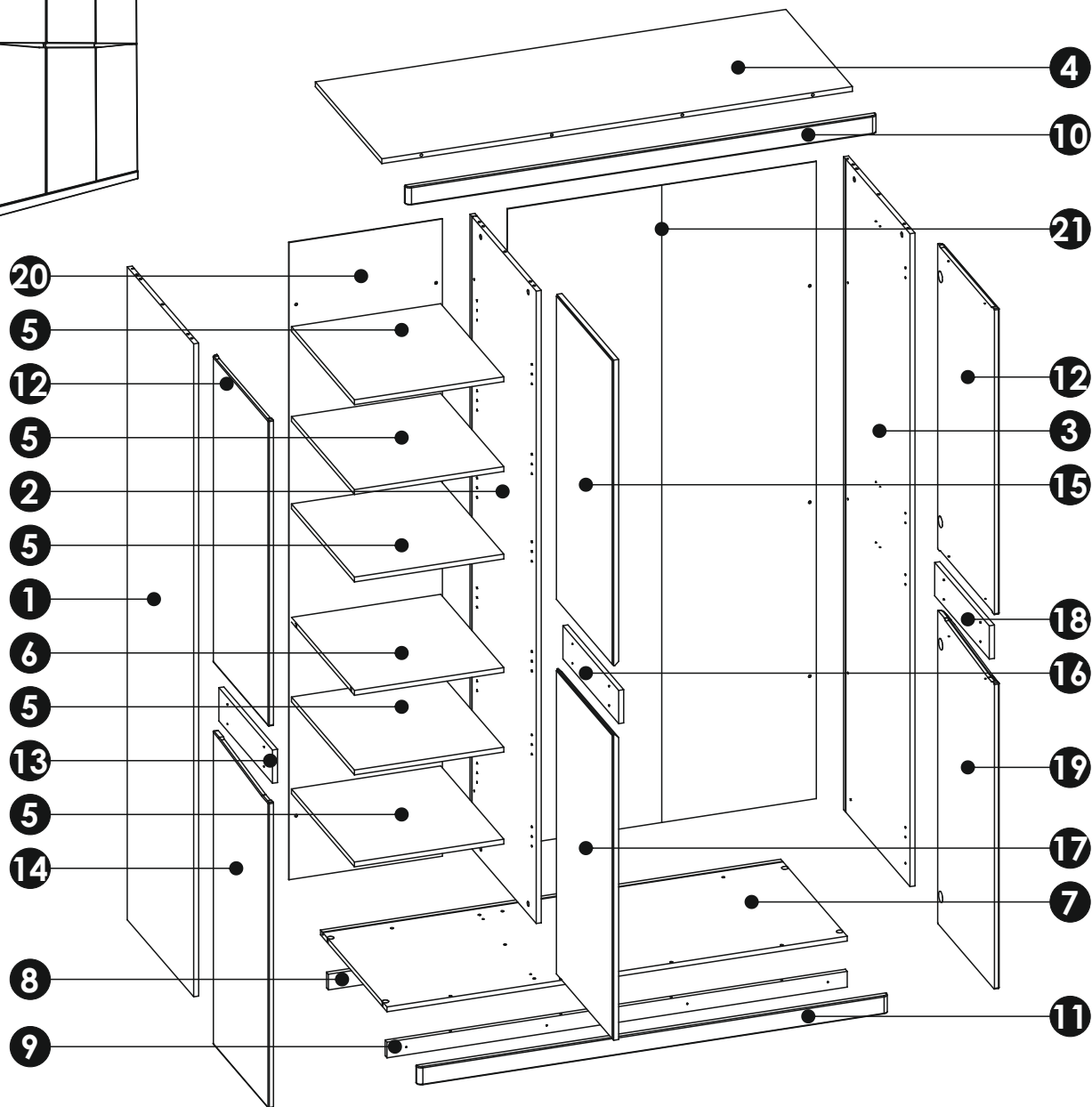
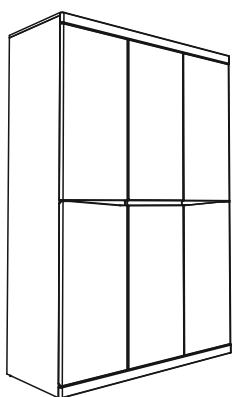
20

10

0

<p>A1 x16 $\varnothing 8 \times 35$ mm</p> 	<p>BC11 + BC12 x8</p> 	<p>BC13 + BC14 x4</p> 
<p>C1 x24 EURO 4 x 13mm</p> 	<p>C5 x10 EURO EK 6,3 x 13mm</p> 	<p>D2 x20</p> 
<p>E0 x8</p> 	<p>E1 x8</p> 	<p>E2 x4</p> 
<p>E4 x4</p> 	<p>F1 x8</p> 	<p>F2 x8</p> 
<p>G0 x8</p> 	<p>G1 x8 $\varnothing 7 \times 50$ mm</p> 	<p>I2 x2 4 x 16 mm</p> 
<p>I8 x16 4 x 27mm</p> 	<p>M x1</p> 	<p>N2 x20 3,5 x 16mm</p> 
<p>O2 x10</p> 	<p>Q9 x2</p> 	<p>P14 x4</p> 
<p>R6 x10</p> 	<p>W x4</p> 	<p>Z x1</p> 
<p>Z1 x2 L-973</p> 		

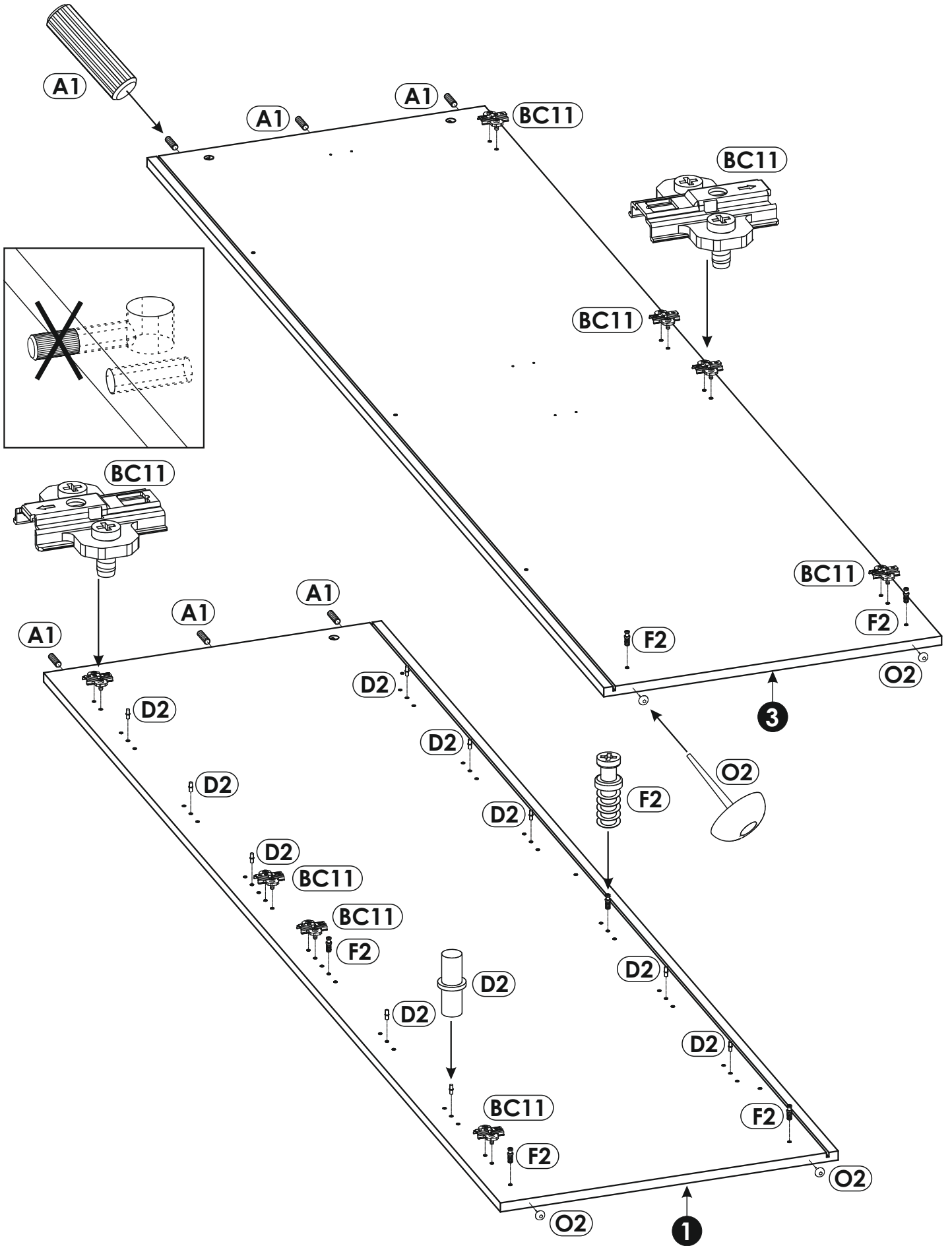




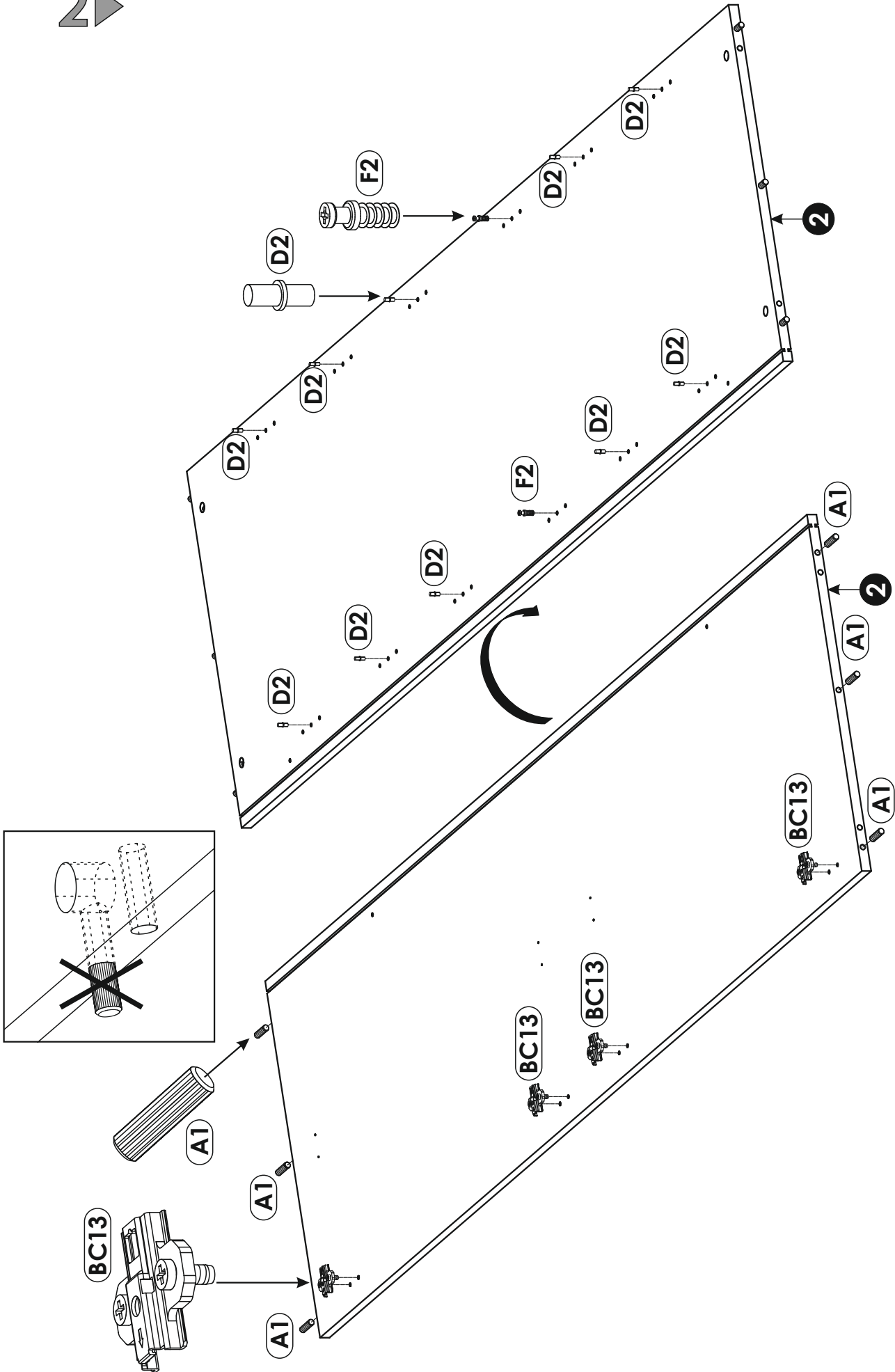
1	2158	581	16	x1	2/4
2	2090	581	16	x1	3/4
3	2158	581	16	x1	2/4
4	1500	581	16	x1	1/4
5	552	476	16	x5	1/4-4/4
6	552	476	16	x1	4/4
7	1467	581	16	x1	1/4

8	1467	52	16	x1	1/4
9	1467	52	16	x1	1/4
10	1500	60	19	x1	1/4
11	1500	60	19	x1	1/4
12	497	1010	16	x2	3/4
13	470	110	16	x1	1/4
14	497	1035	16	x1	2/4

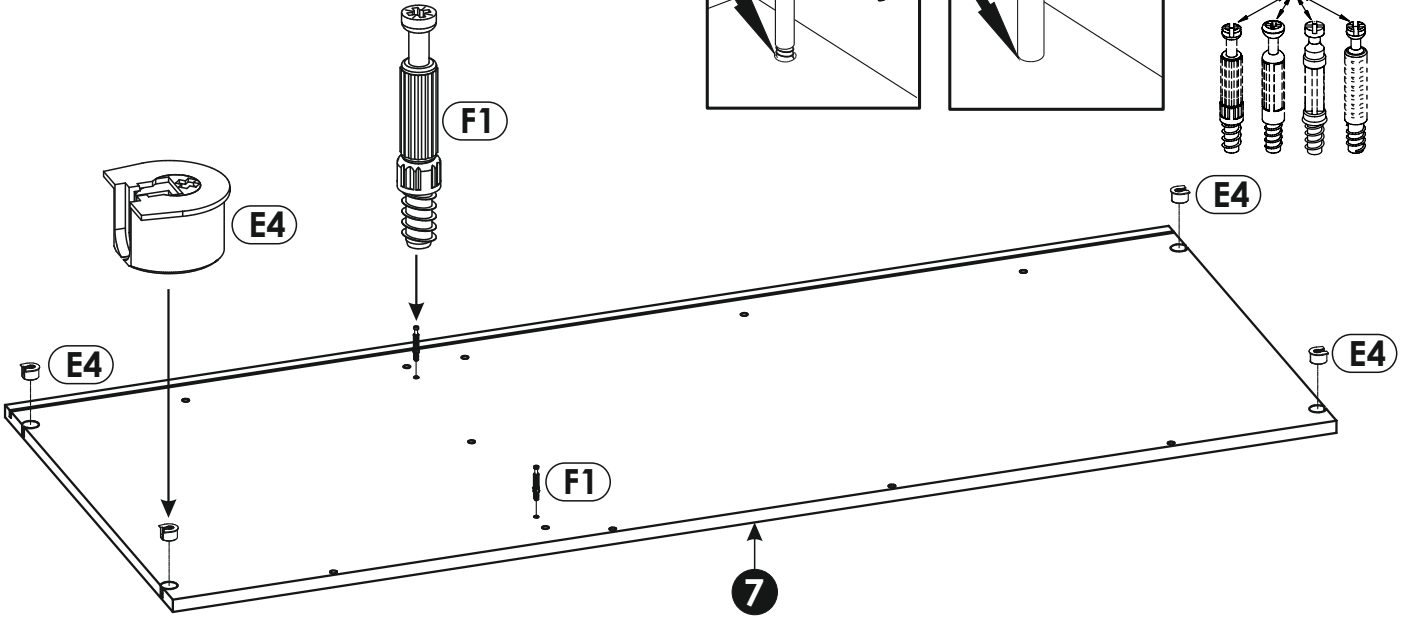
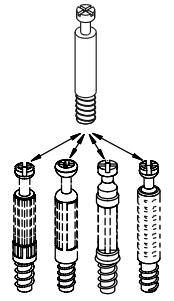
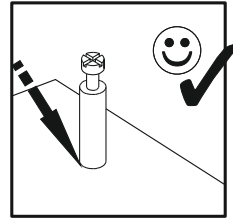
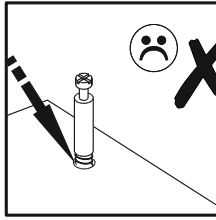
15	497	1010	20	x1	4/4
16	488	110	16	x1	1/4
17	497	1010	20	x1	4/4
18	470	110	16	x1	1/4
19	497	1035	16	x1	2/4
20	2106	489	3	x1	3/4
21	2106	986	3	x1	3/4



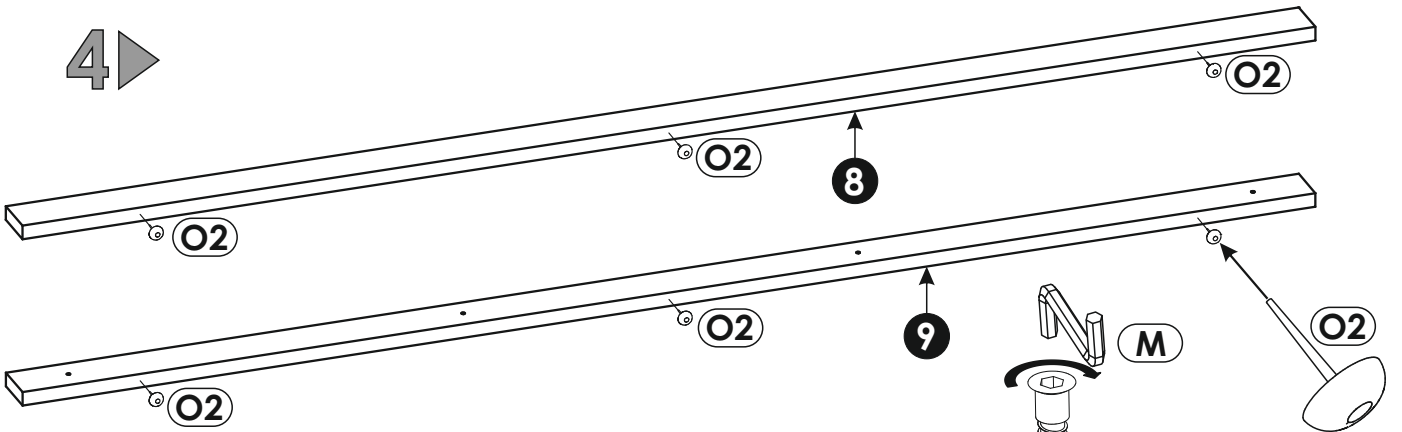
2 ▶



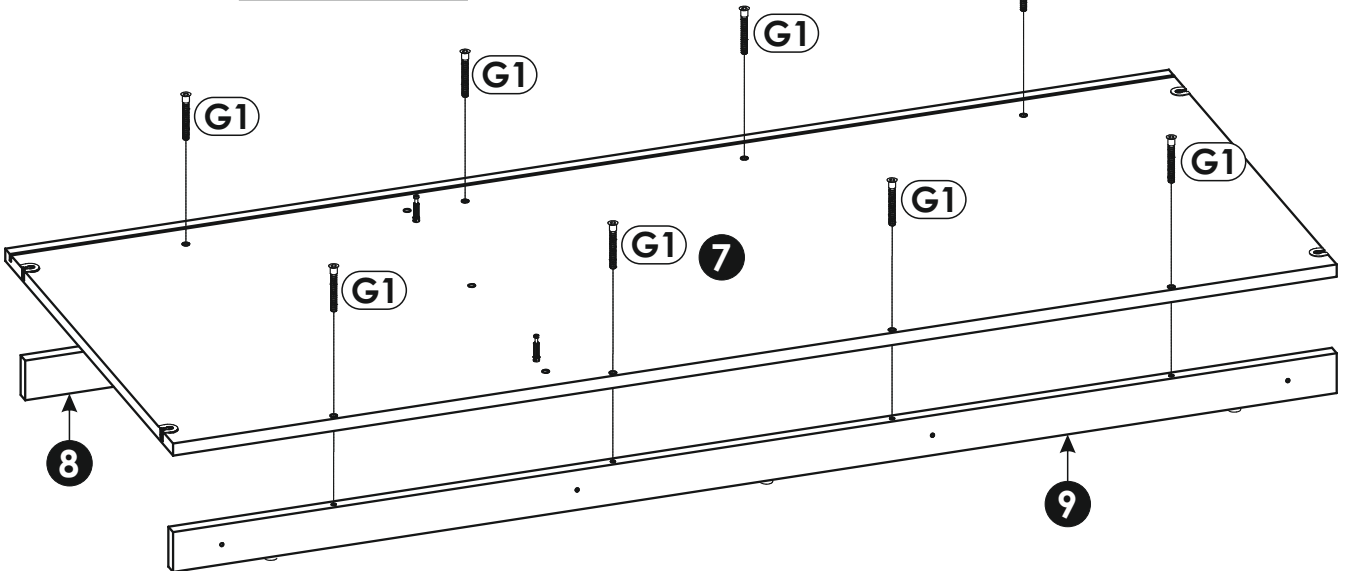
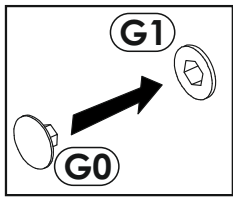
3 ▶



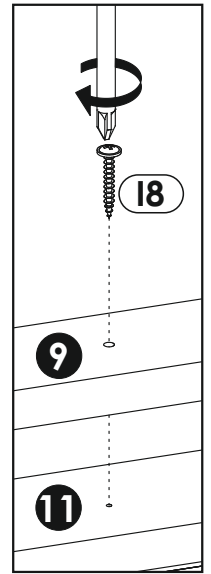
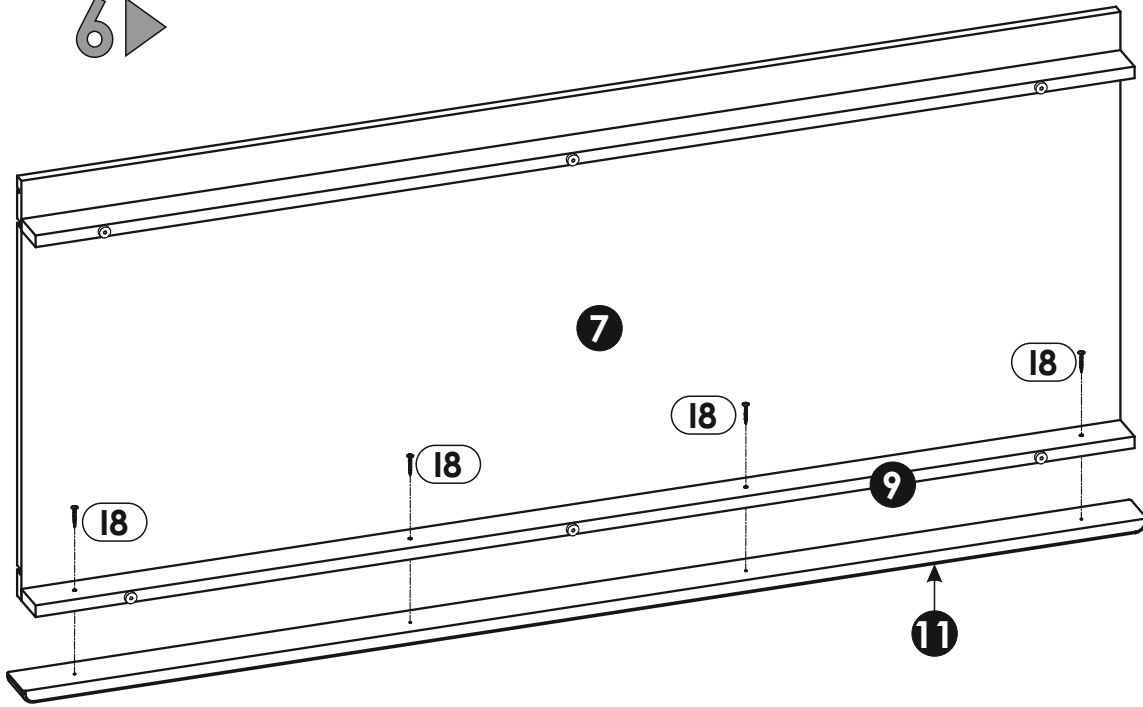
4 ▶



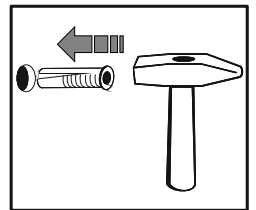
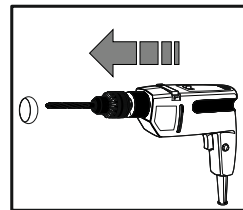
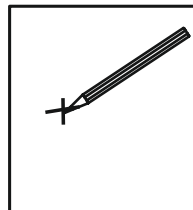
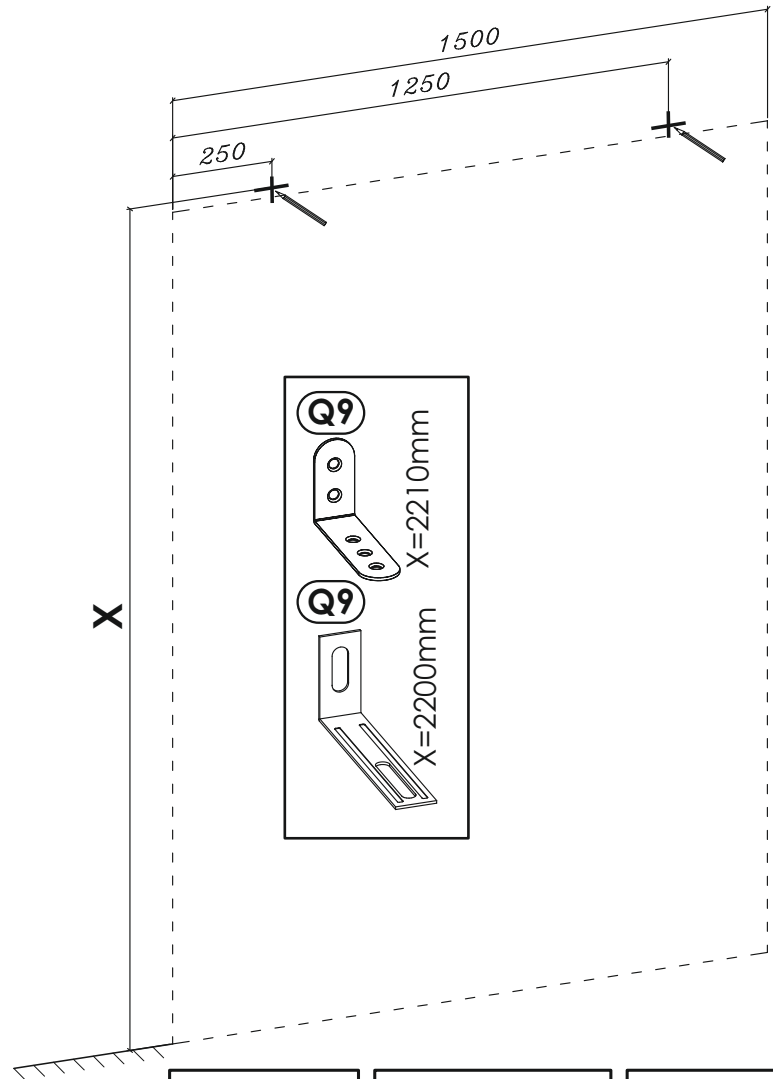
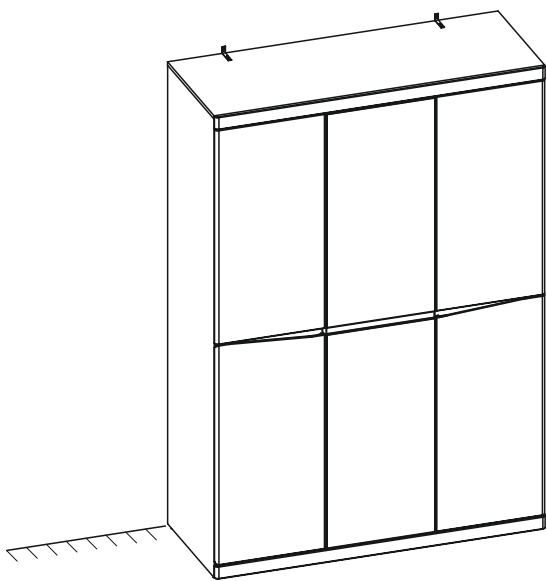
5 ▶



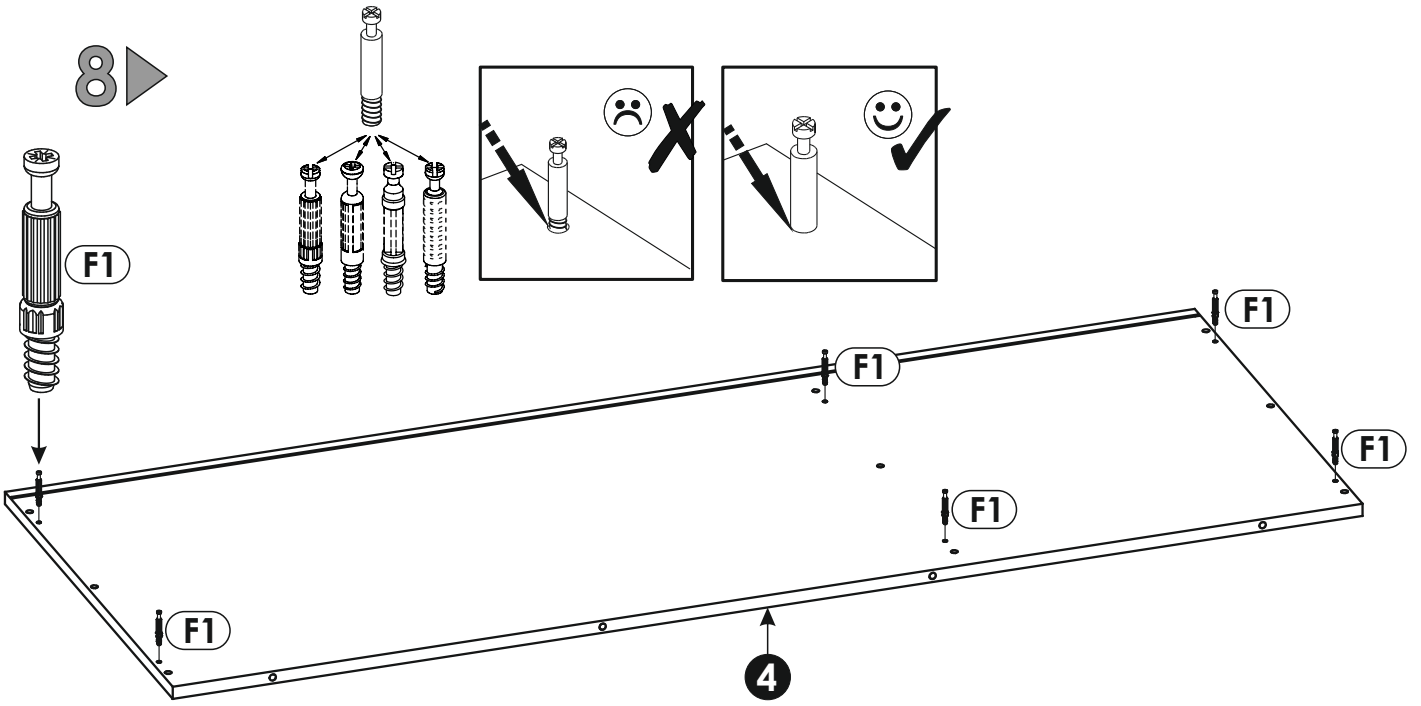
6 ▶



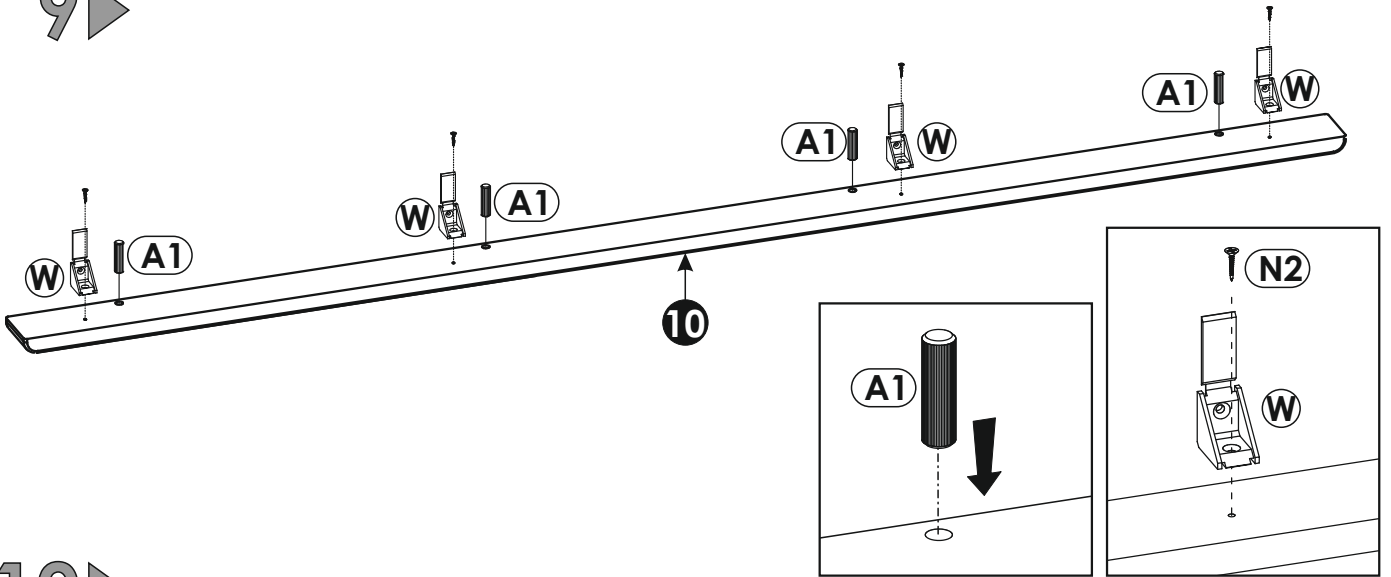
7 ▶



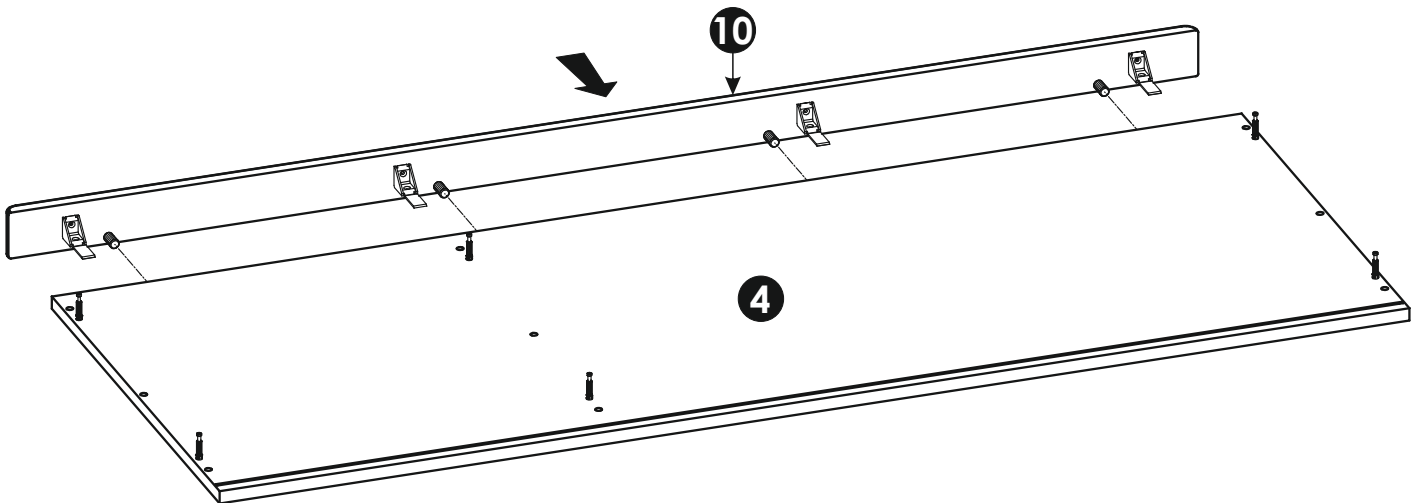
8 ▶



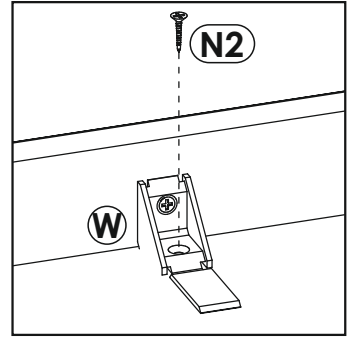
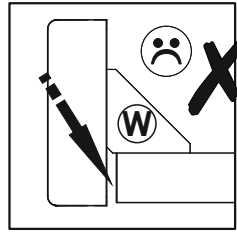
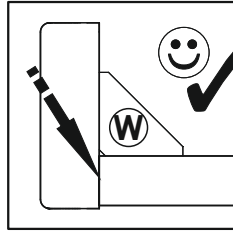
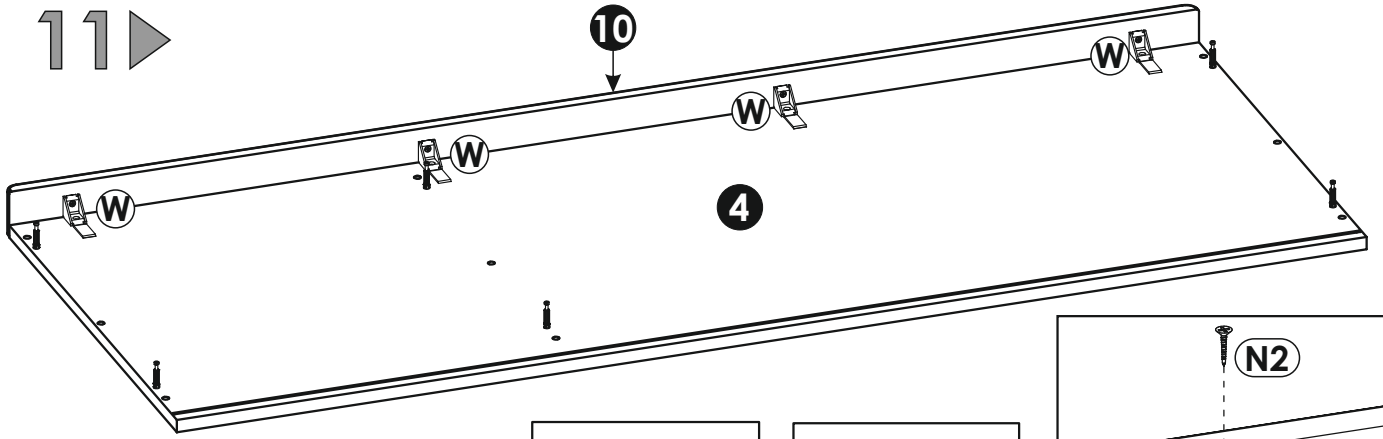
9 ▶



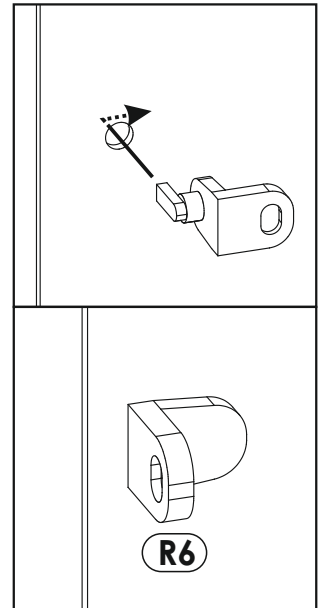
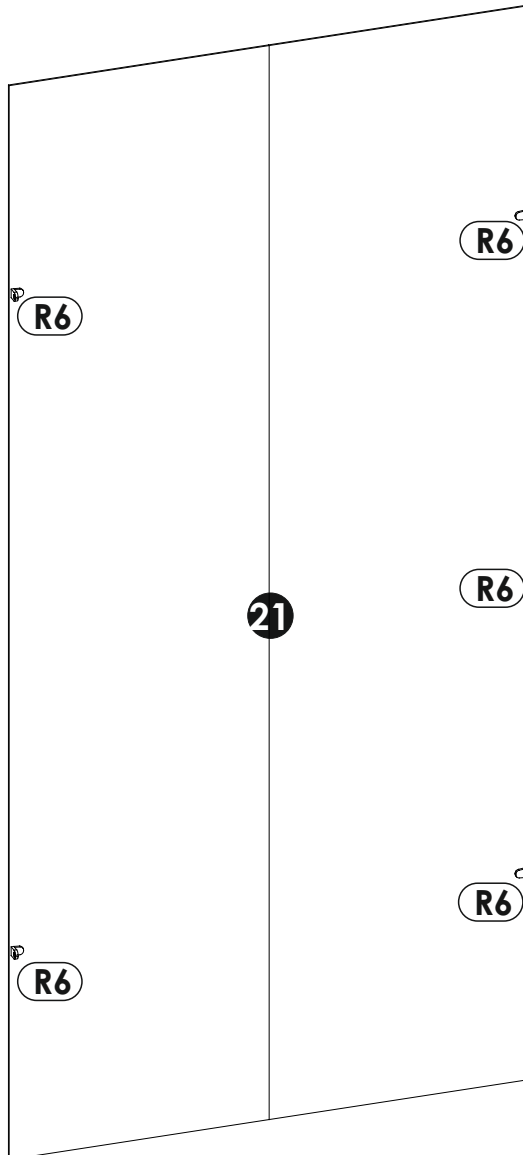
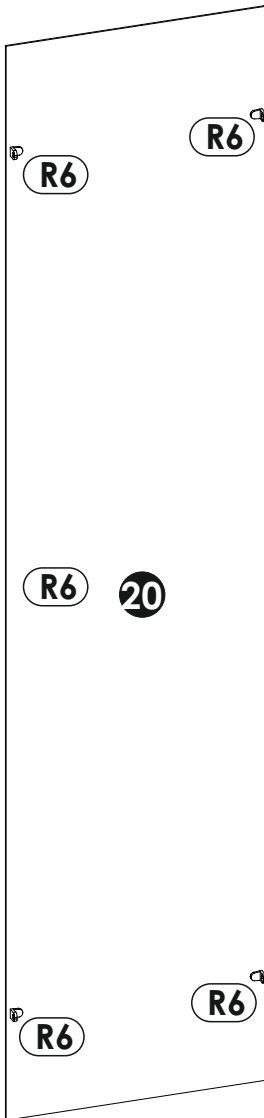
10 ▶

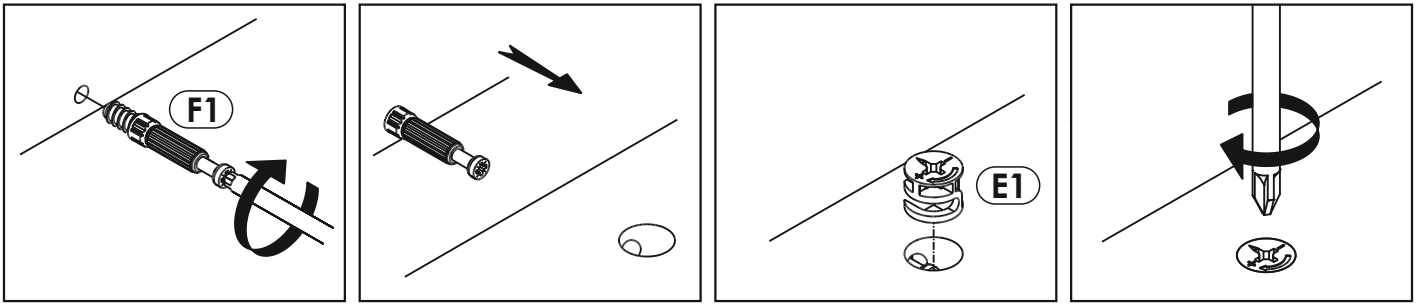


11 ▶

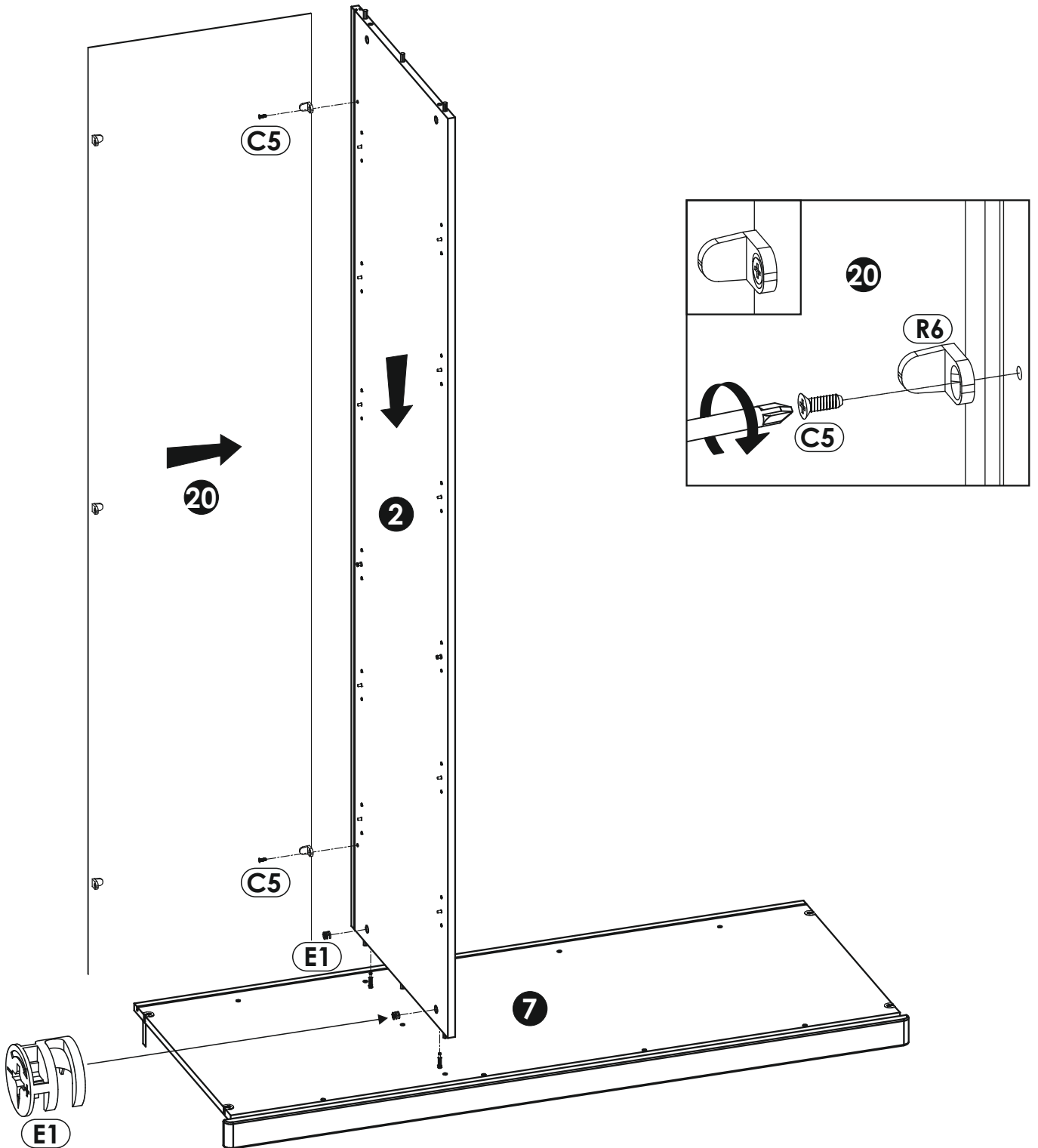


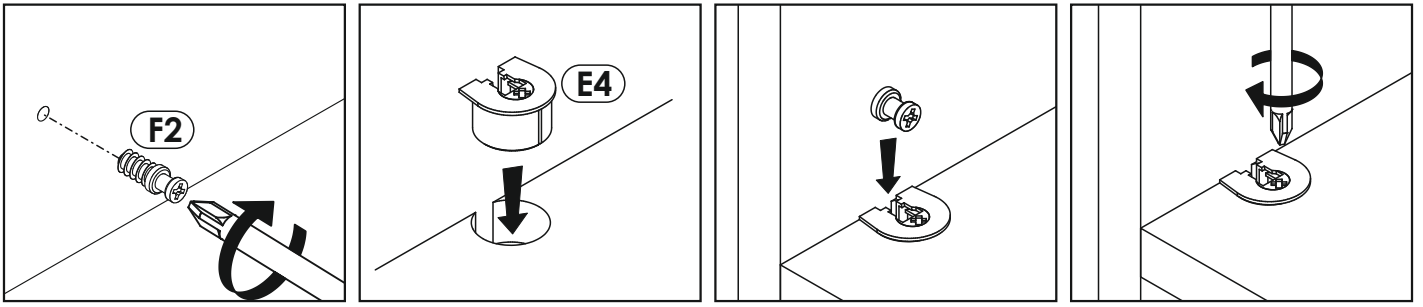
12 ▶



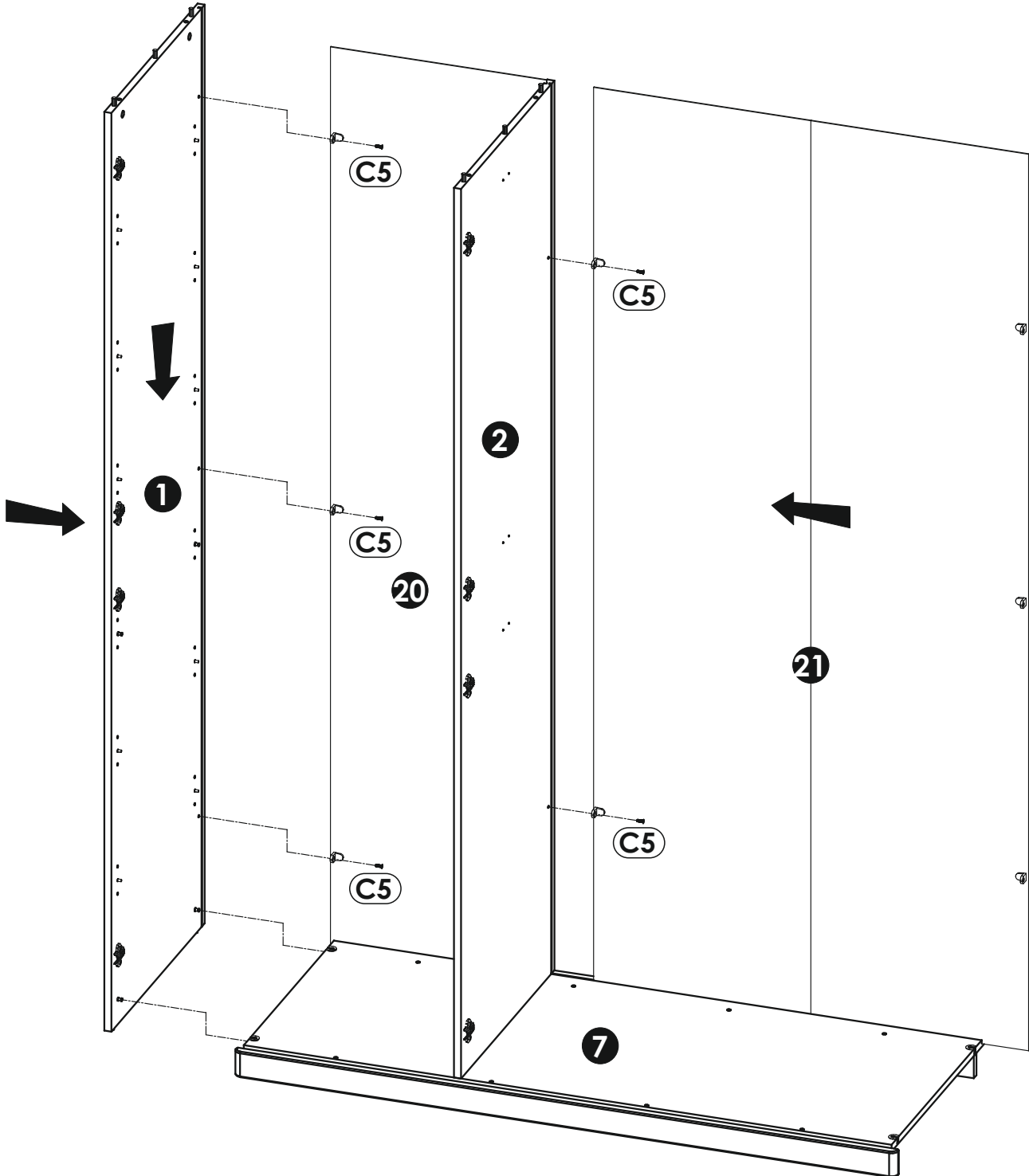


13 ▶

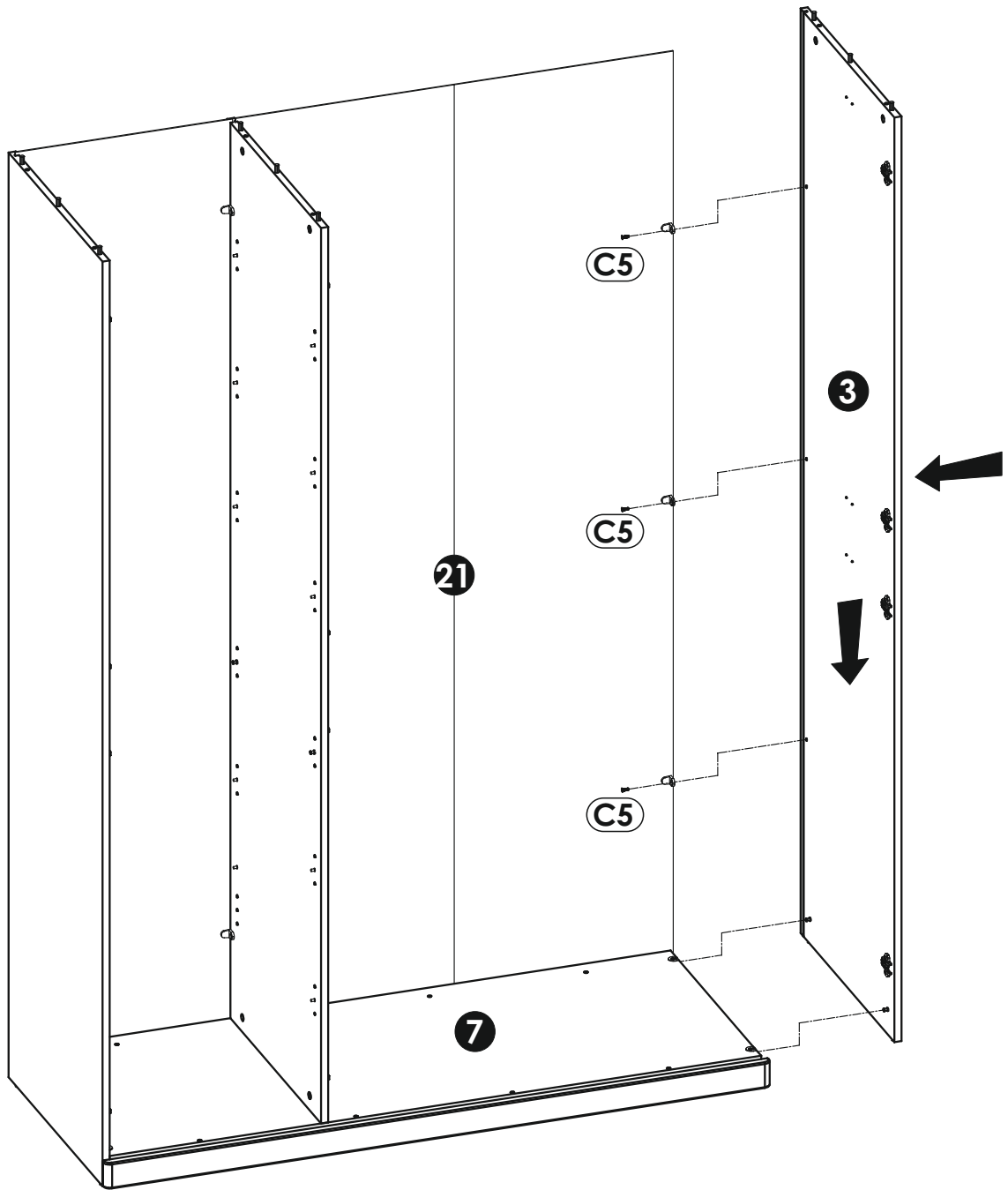




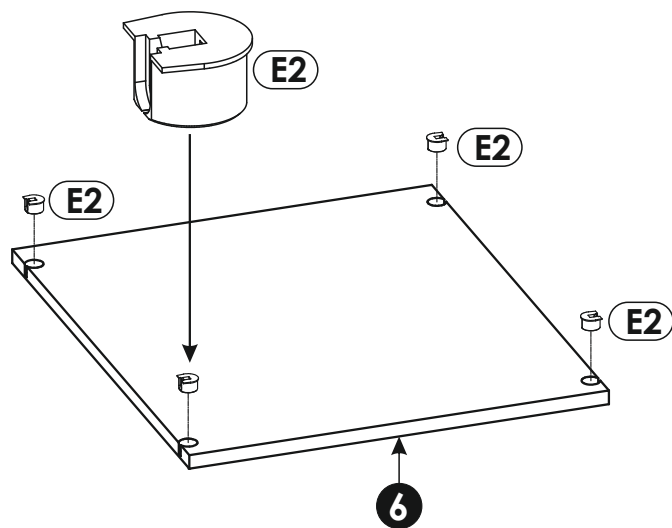
14▶

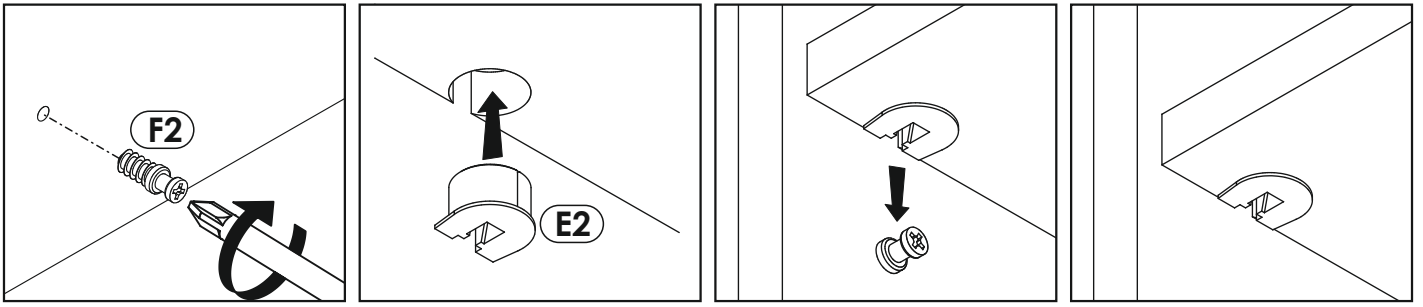


15▶

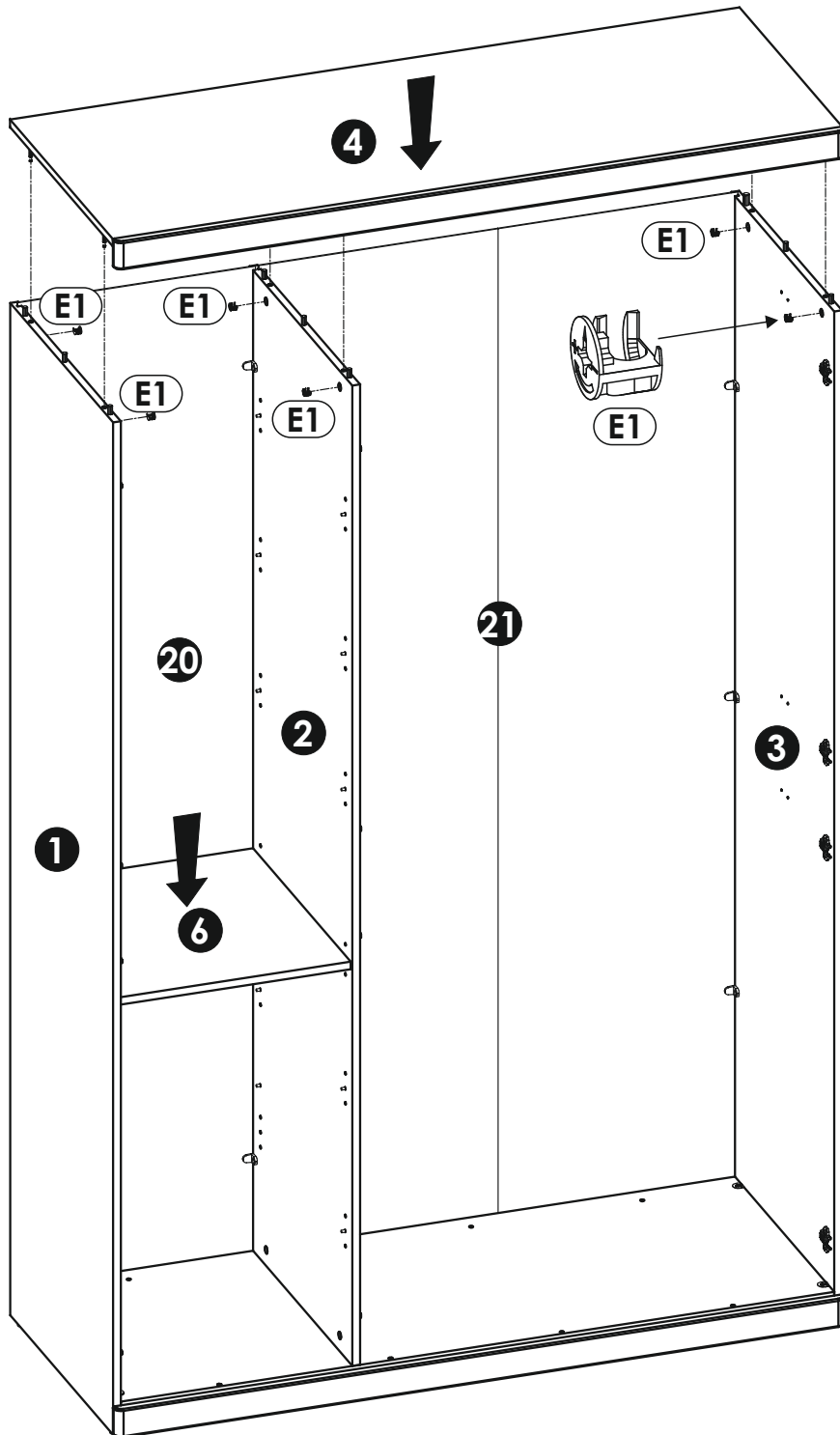


16▶

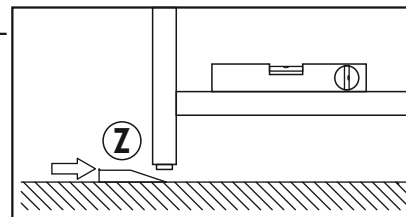
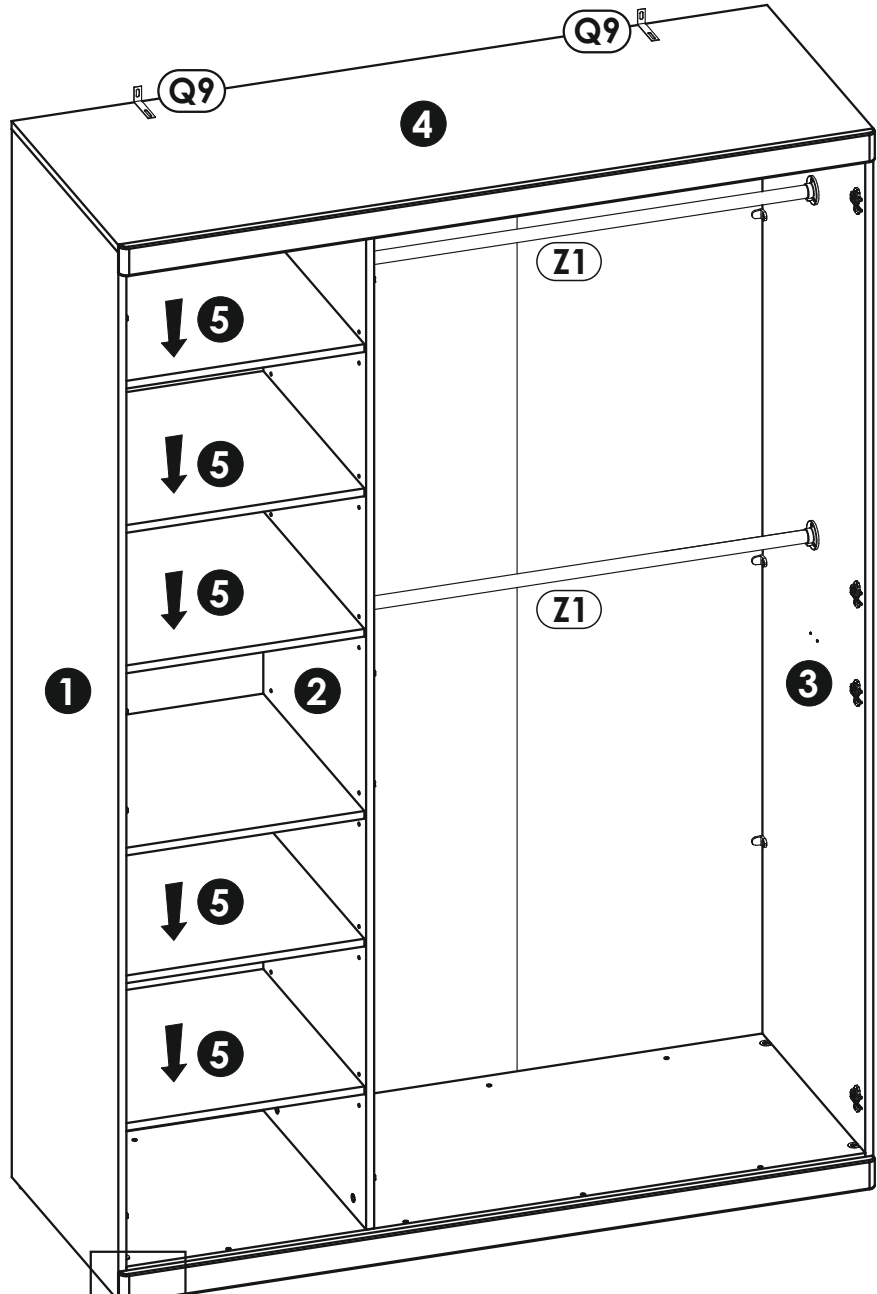
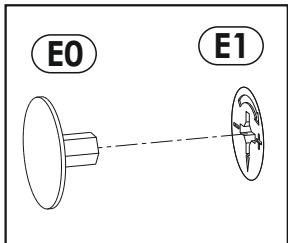
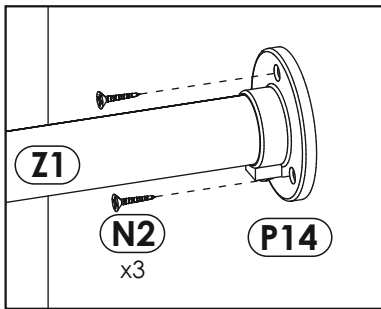
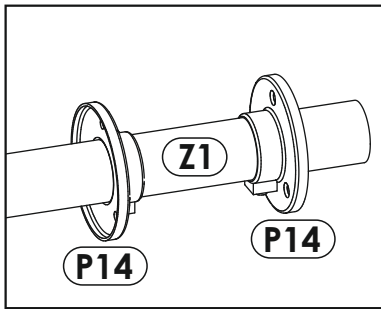
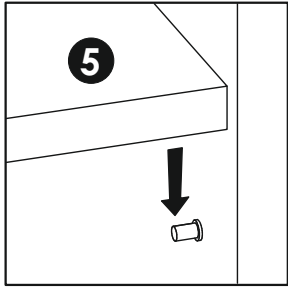
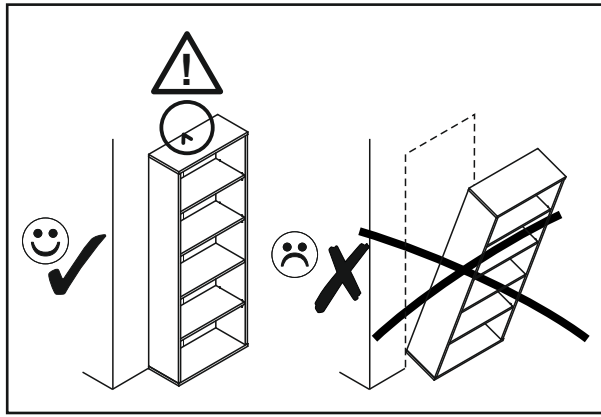
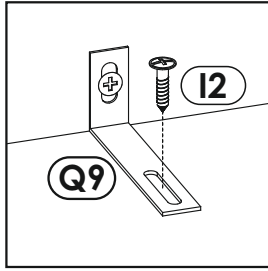
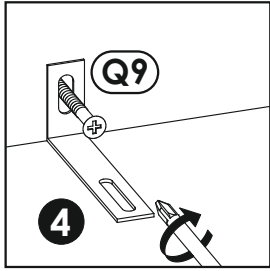


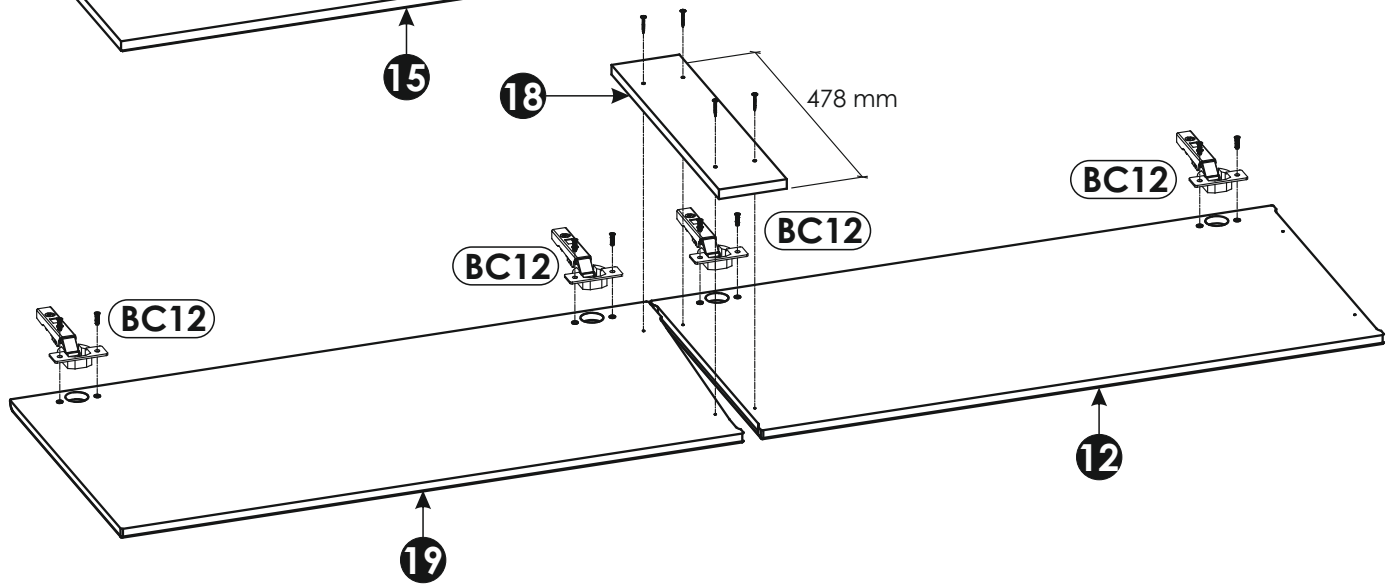
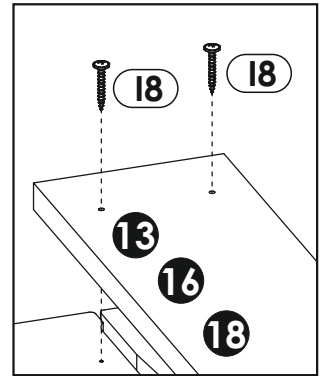
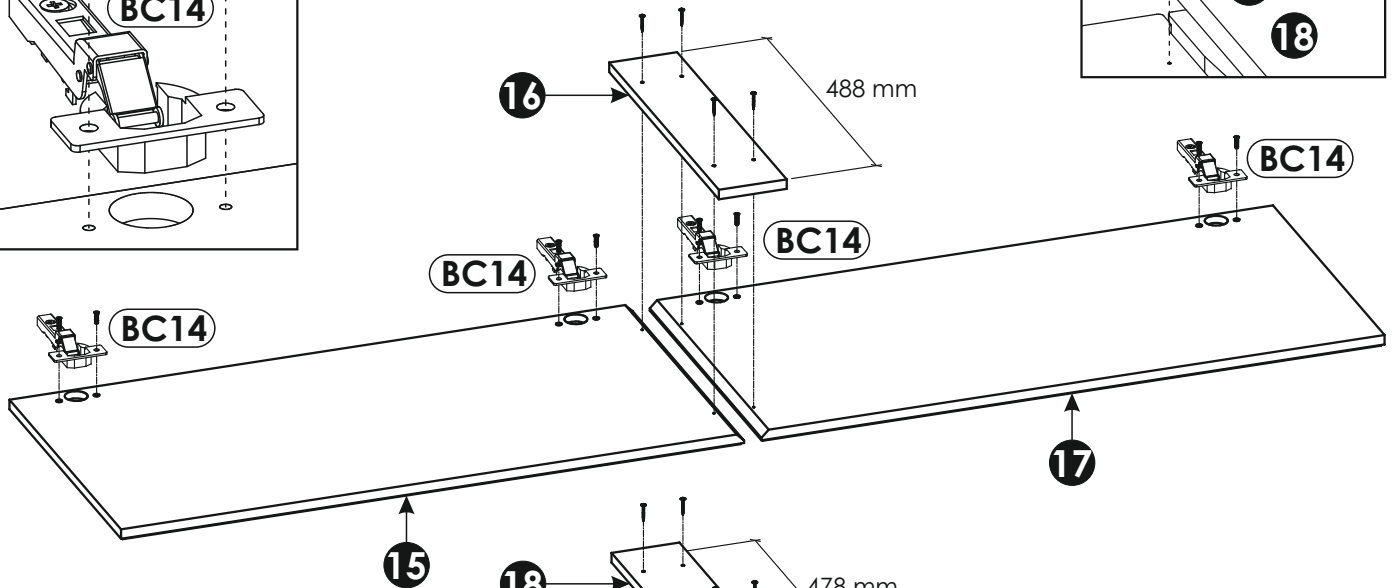
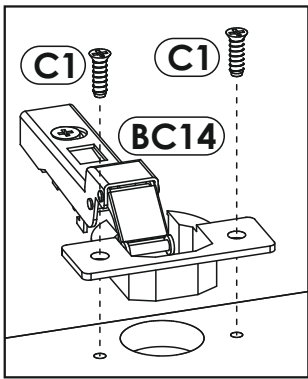
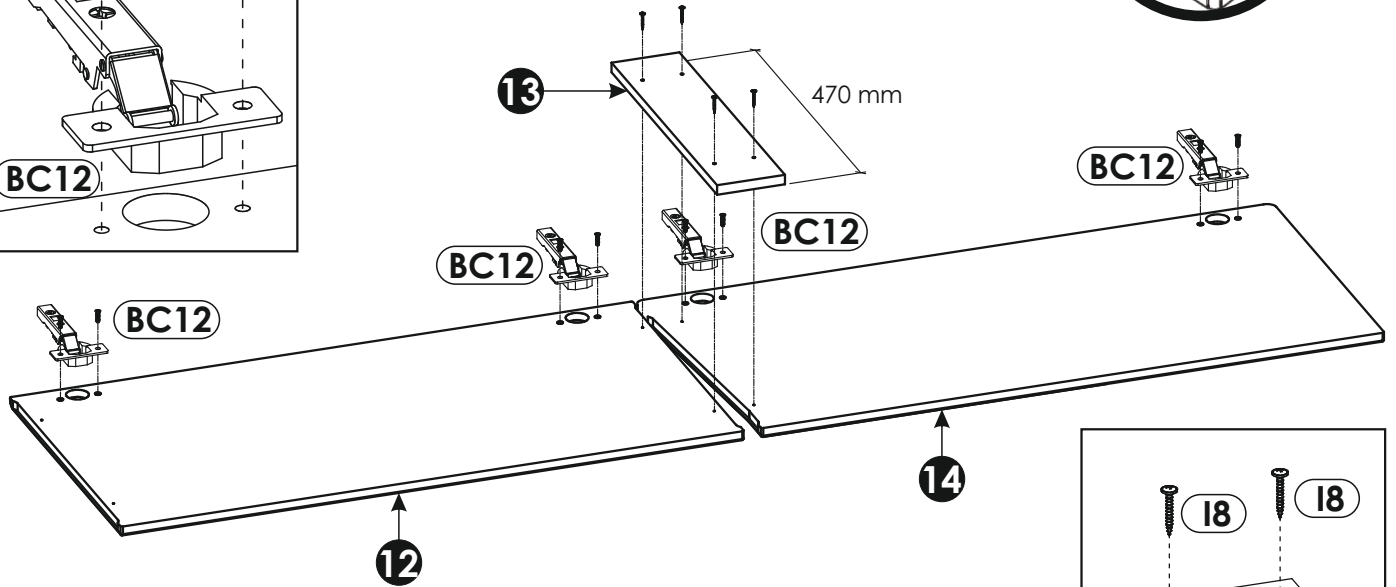
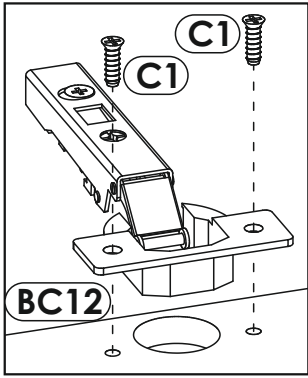
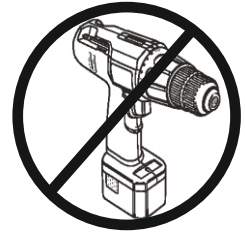


17▶



18 ▶





20 ▶

