

MM

260

250

240

230

220

210

200

190

180

170

160

150

140

130

120

110

100

90

80

70

60

50

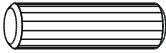
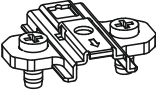
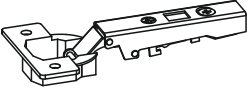







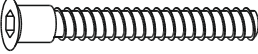
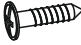
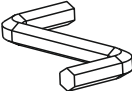


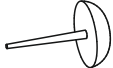


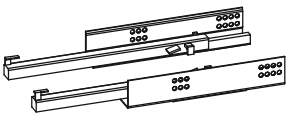
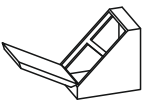
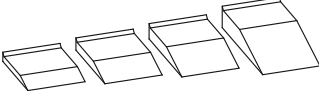
40

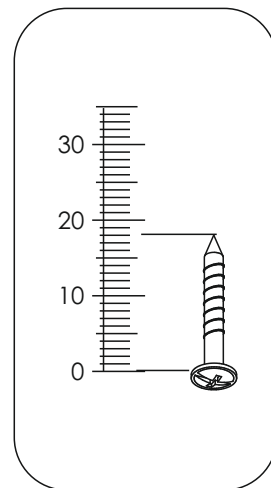
30

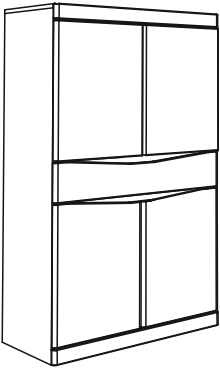
20

10

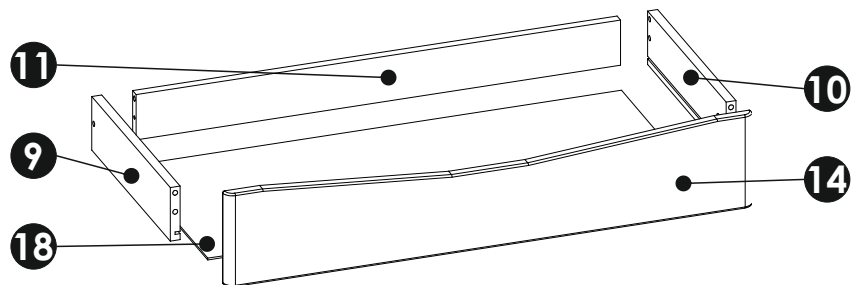
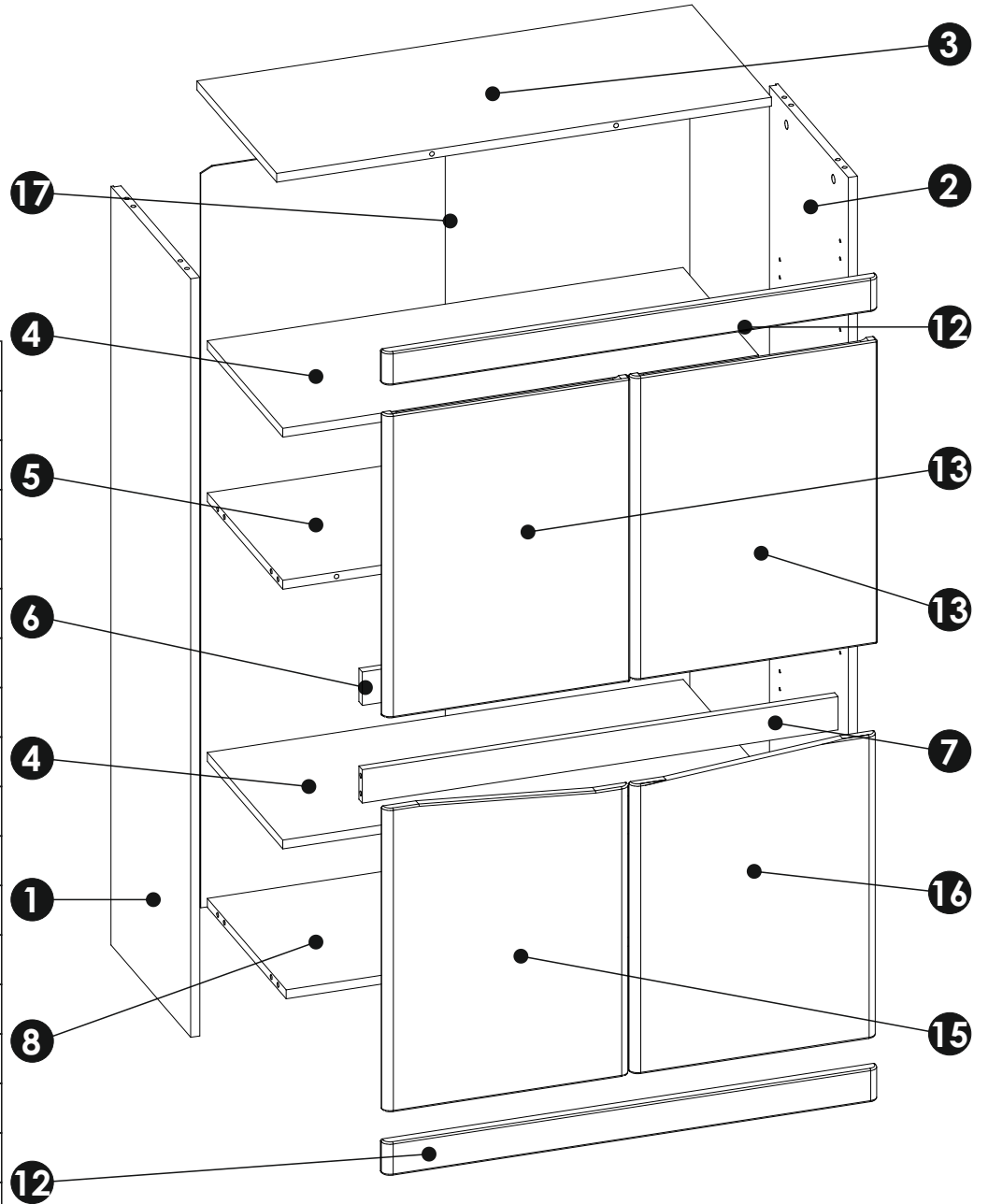
0

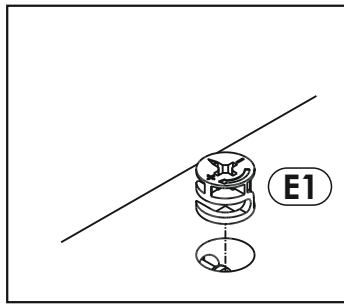
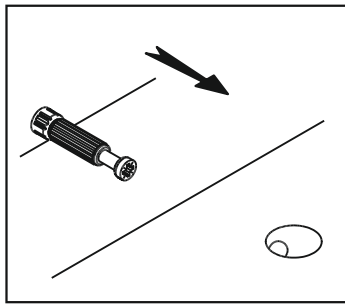
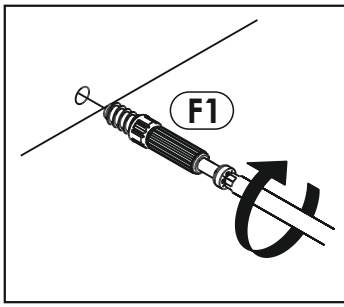
| | | |
|--|---|---|
| A1 x 27 $\varnothing 8 \times 35$ mm  | BC0 x 8  | BC1 x 8  |
| C1 x 16 EURO 4 x 13 mm  | C2 x 4 EURO 5 x 13 mm  | D2 x 8  |
| E0 x 14  | E1 x 14  | F1 x 14  |
| G0 x 2  | G1 x 2  | I2 x 1 4 x 16 mm  |
| M x 1  | N1 x 50 3 x 16 mm  | N2 x 18 3,5 x 16 mm  |
| O2 x 4  | Q9 x 1  | R4 x 2  |
| T10 x 1 L-360  | W x 9  | Z x 1  |



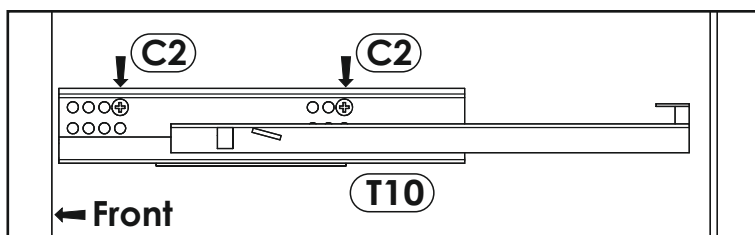
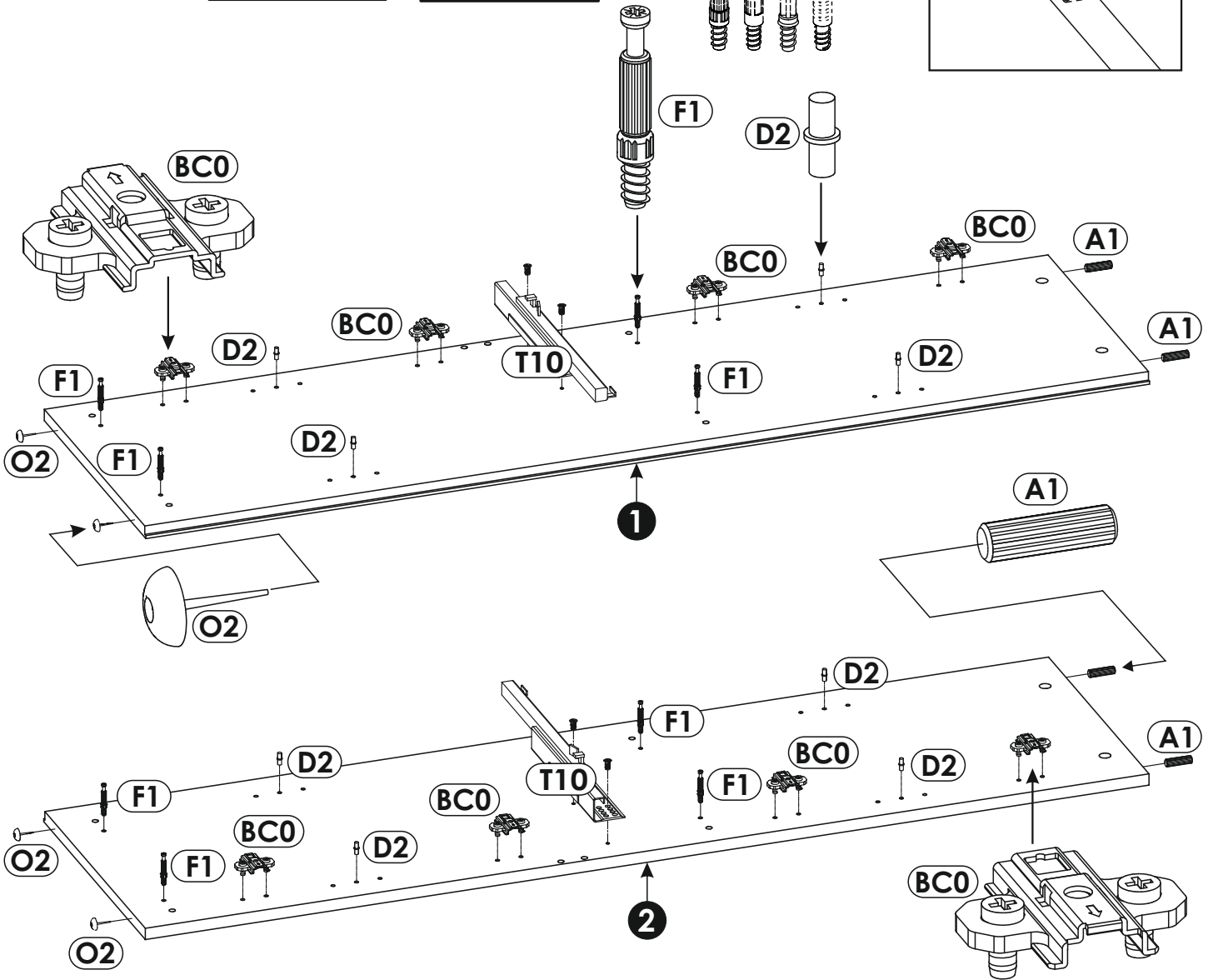
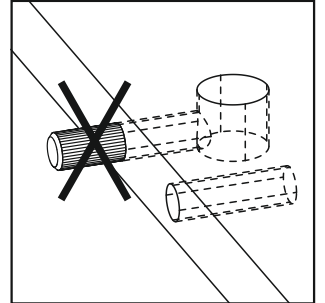
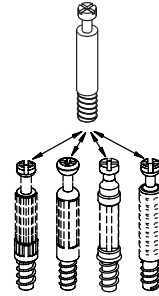
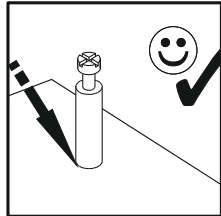
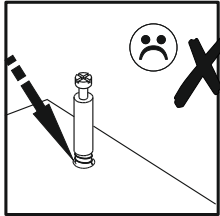


| | | | | | |
|-----------|------|-----|----|----|-----|
| 1 | 1367 | 380 | 16 | x1 | 1/2 |
| 2 | 1367 | 380 | 16 | x1 | 1/2 |
| 3 | 860 | 360 | 16 | x1 | 2/2 |
| 4 | 827 | 376 | 16 | x2 | 2/2 |
| 5 | 827 | 359 | 16 | x1 | 2/2 |
| 6 | 827 | 60 | 16 | x1 | 1/2 |
| 7 | 827 | 60 | 16 | x1 | 2/2 |
| 8 | 827 | 376 | 16 | x1 | 2/2 |
| 9 | 350 | 90 | 16 | x1 | 1/2 |
| 10 | 350 | 90 | 16 | x1 | 1/2 |
| 11 | 787 | 76 | 16 | x1 | 1/2 |
| 12 | 860 | 60 | 19 | x2 | 2/2 |
| 13 | 427 | 547 | 16 | x2 | 1/2 |
| 14 | 858 | 157 | 16 | x1 | 1/2 |
| 15 | 427 | 547 | 16 | x1 | 1/2 |
| 16 | 427 | 547 | 16 | x1 | 1/2 |
| 17 | 1333 | 848 | 3 | x1 | 1/2 |
| 18 | 802 | 355 | 3 | x1 | 1/2 |

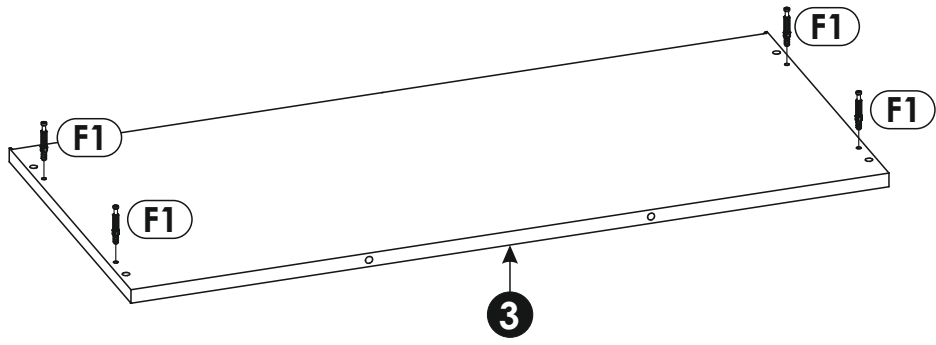




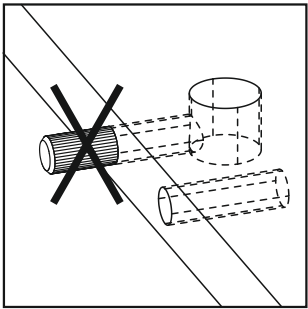
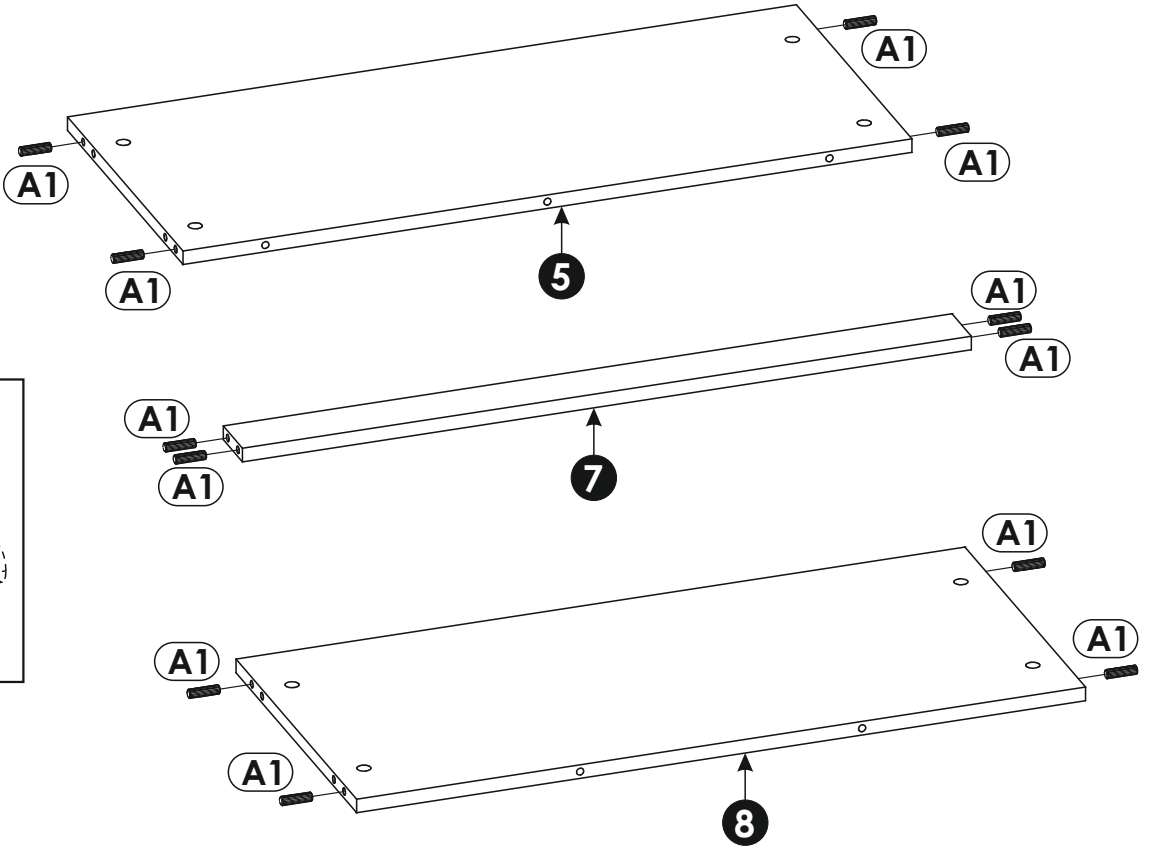
1



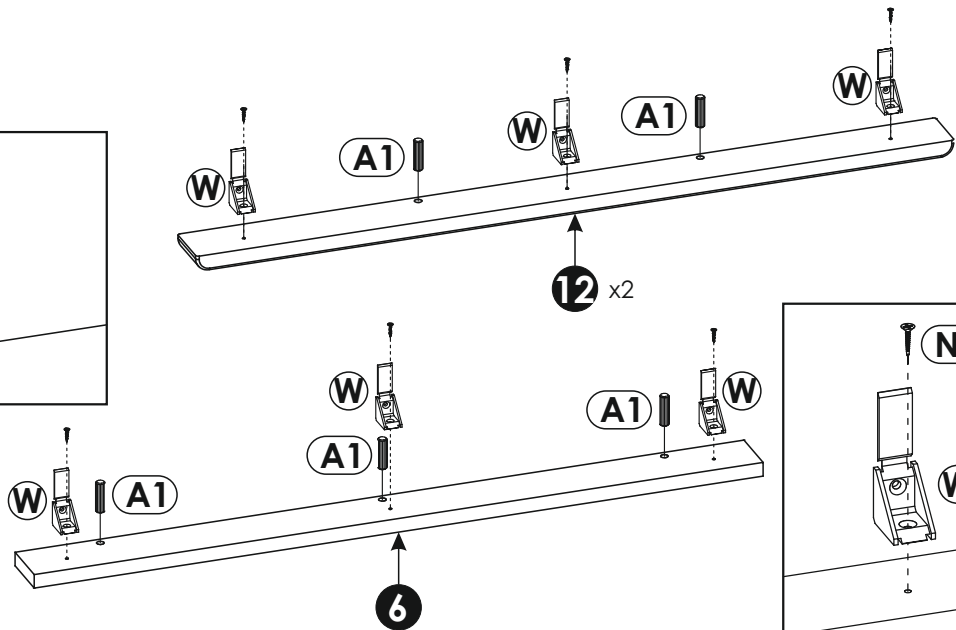
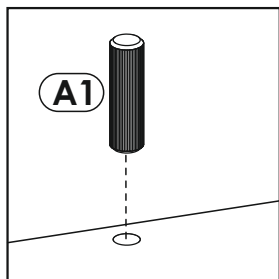
2 ▶



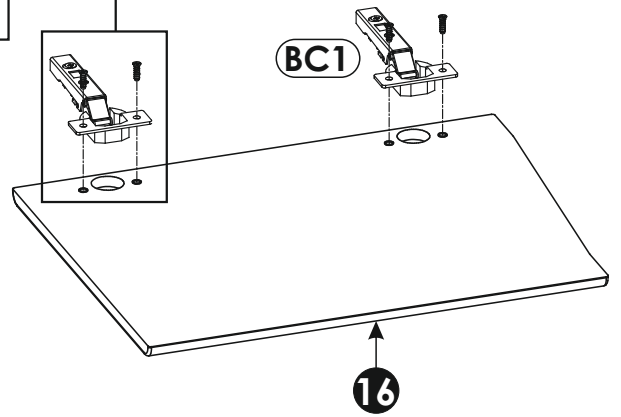
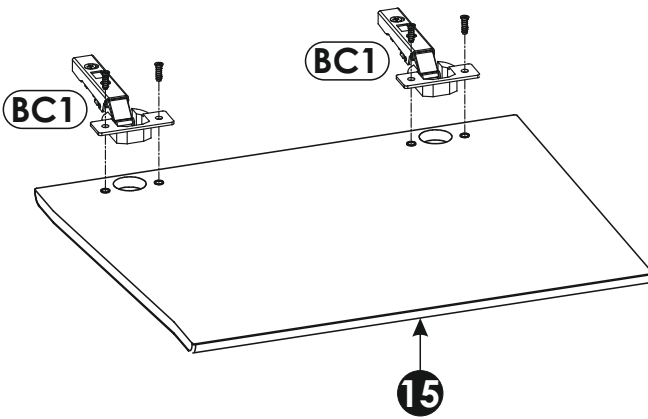
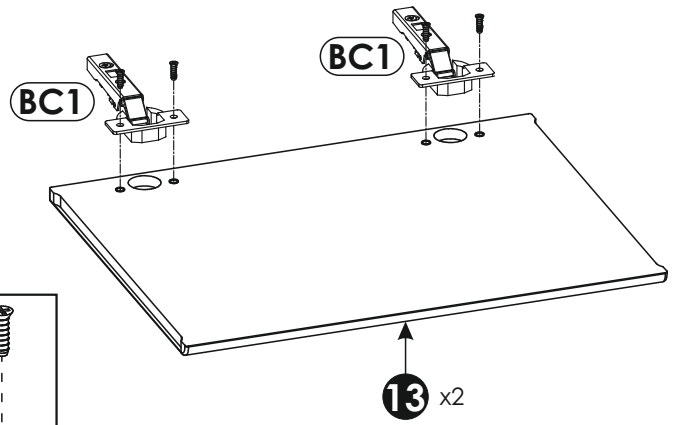
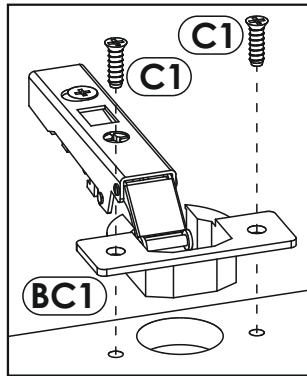
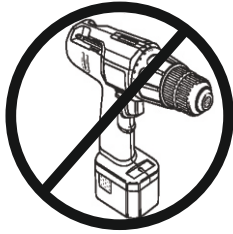
3 ▶



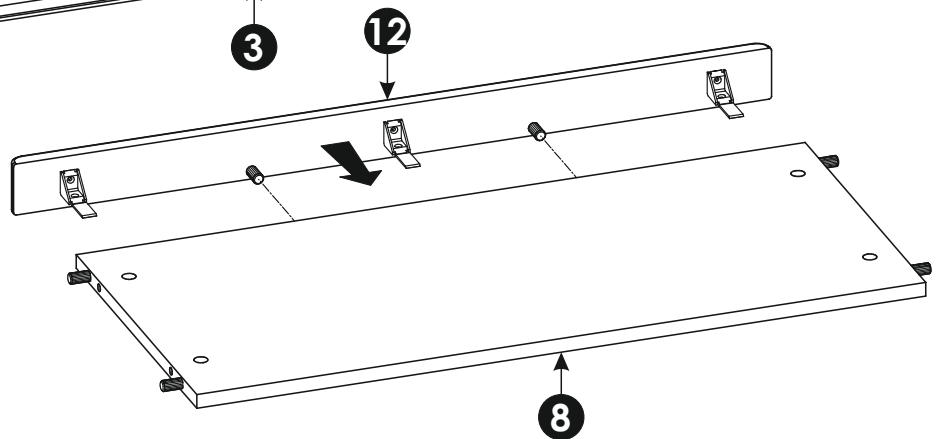
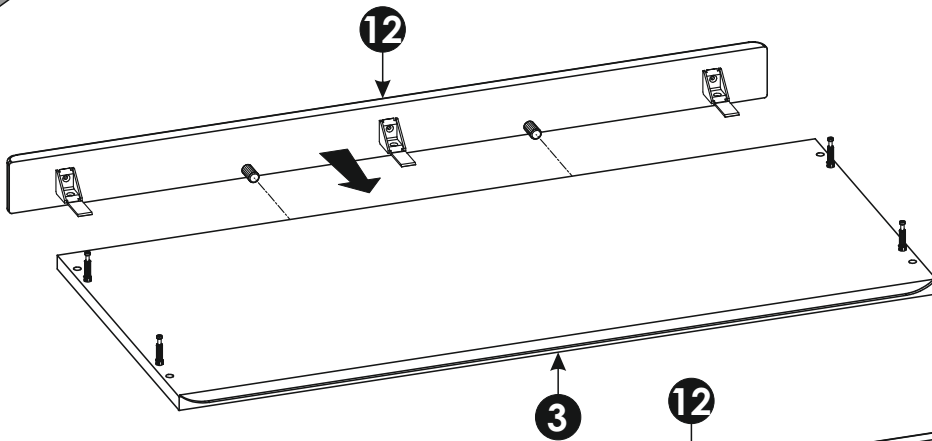
4 ▶



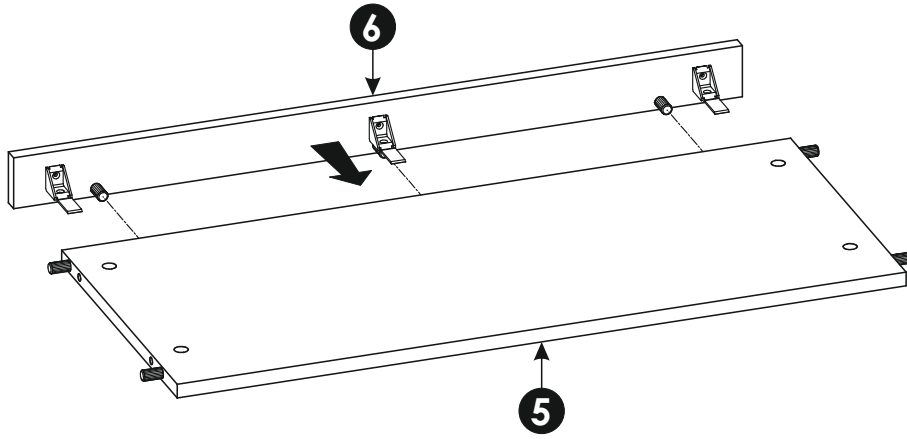
5 ▶



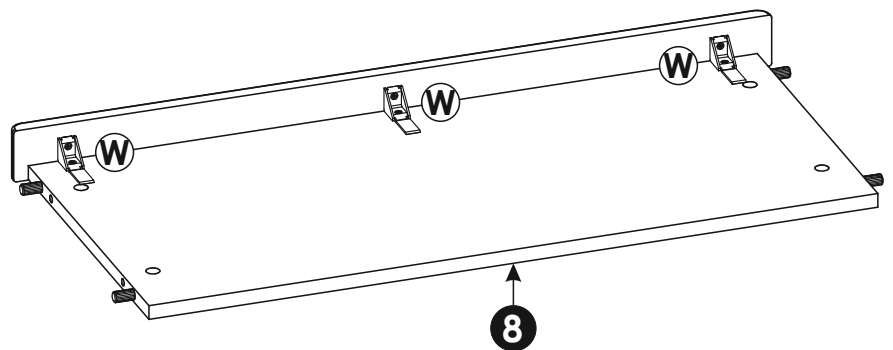
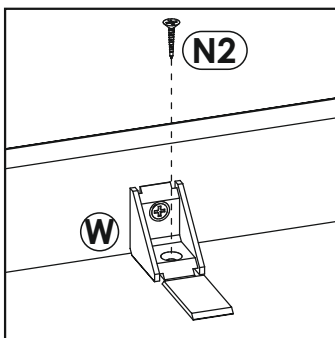
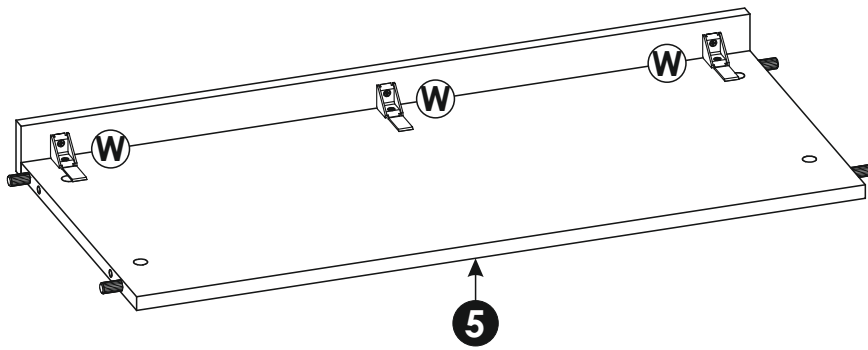
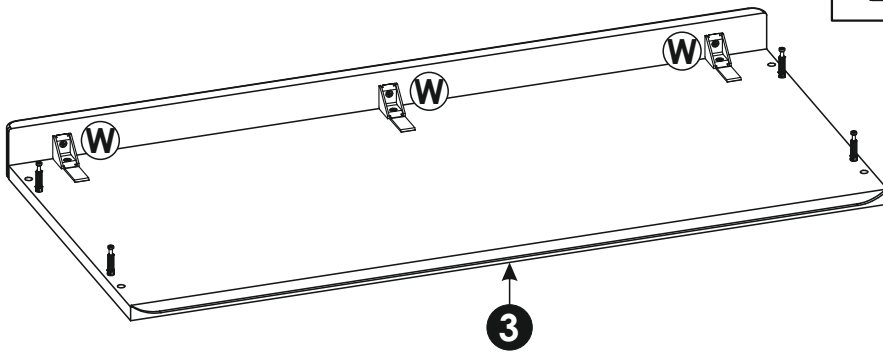
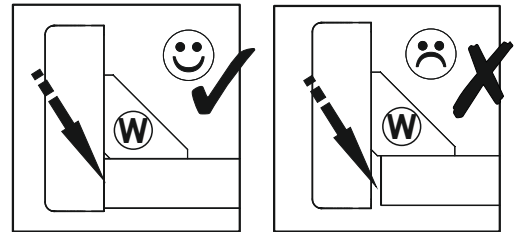
6 ▶



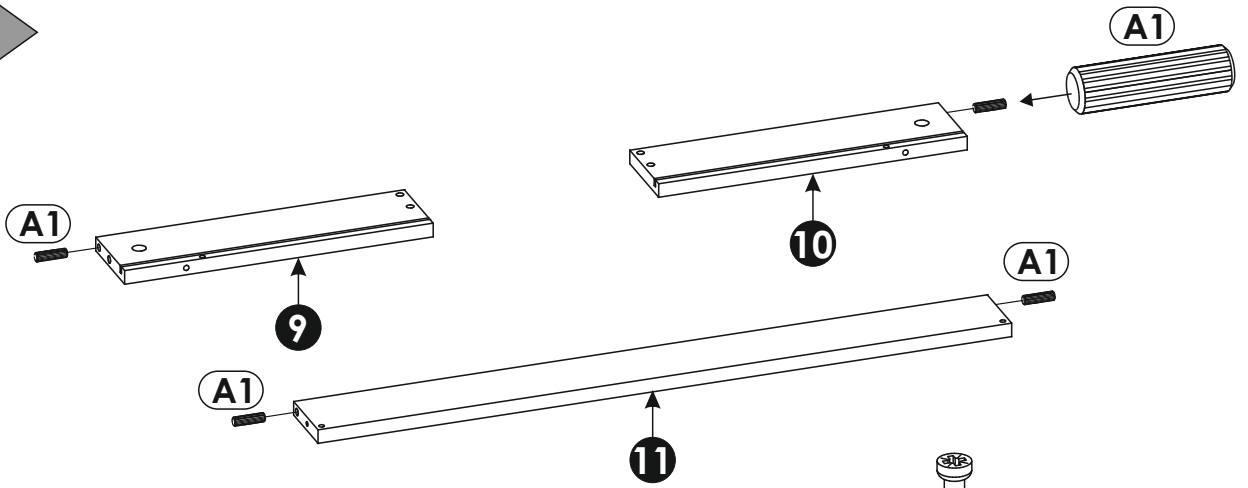
7 ▶



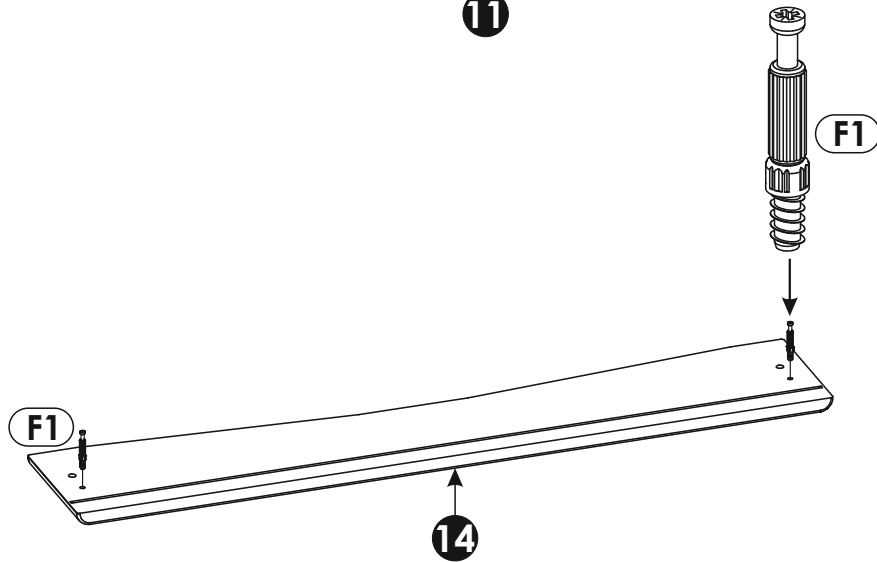
8 ▶



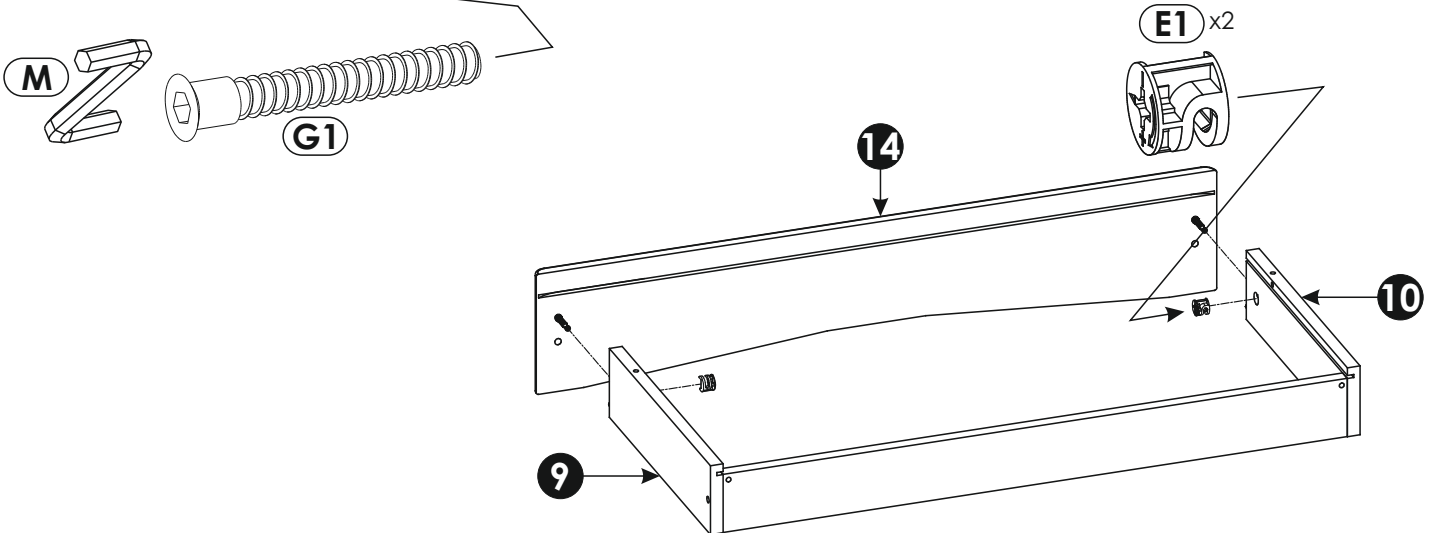
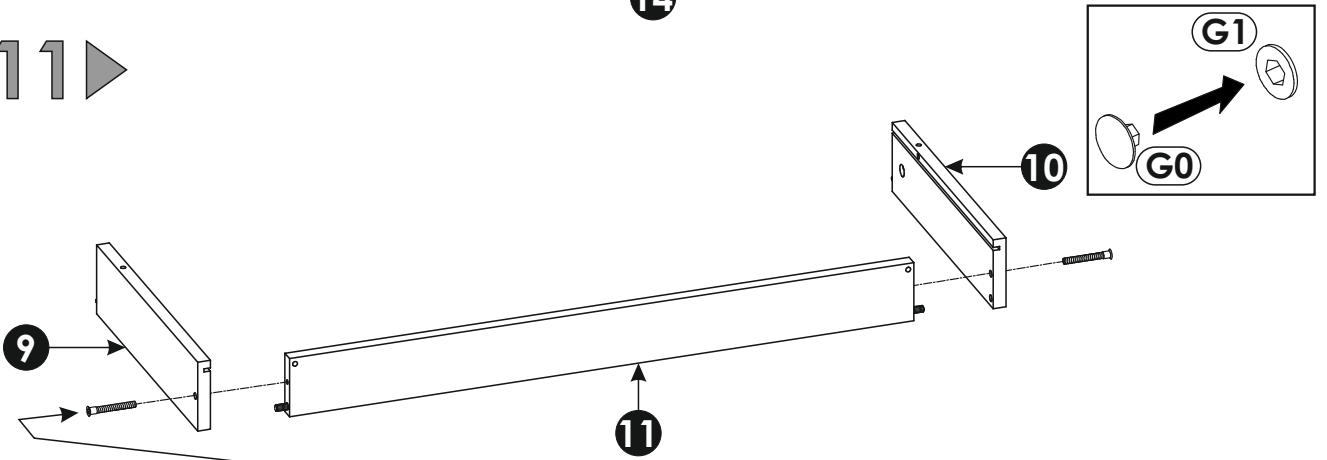
9 ▶



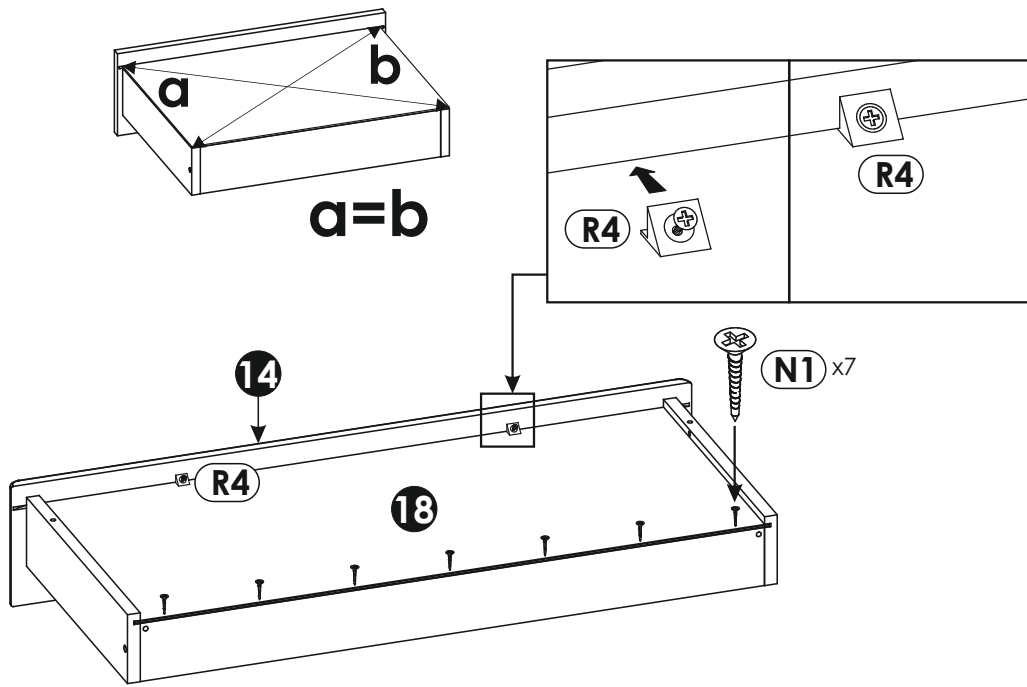
10 ▶



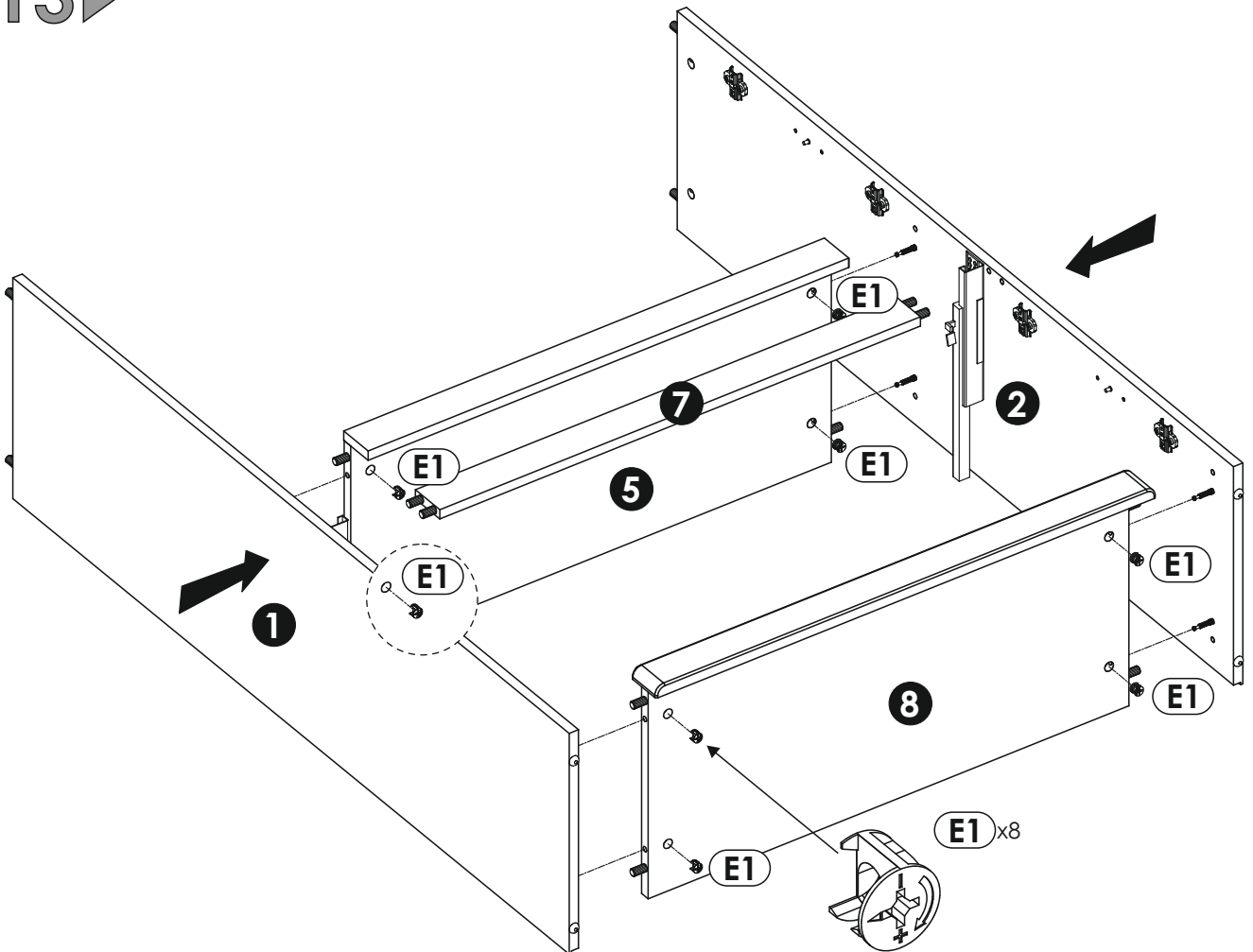
11 ▶



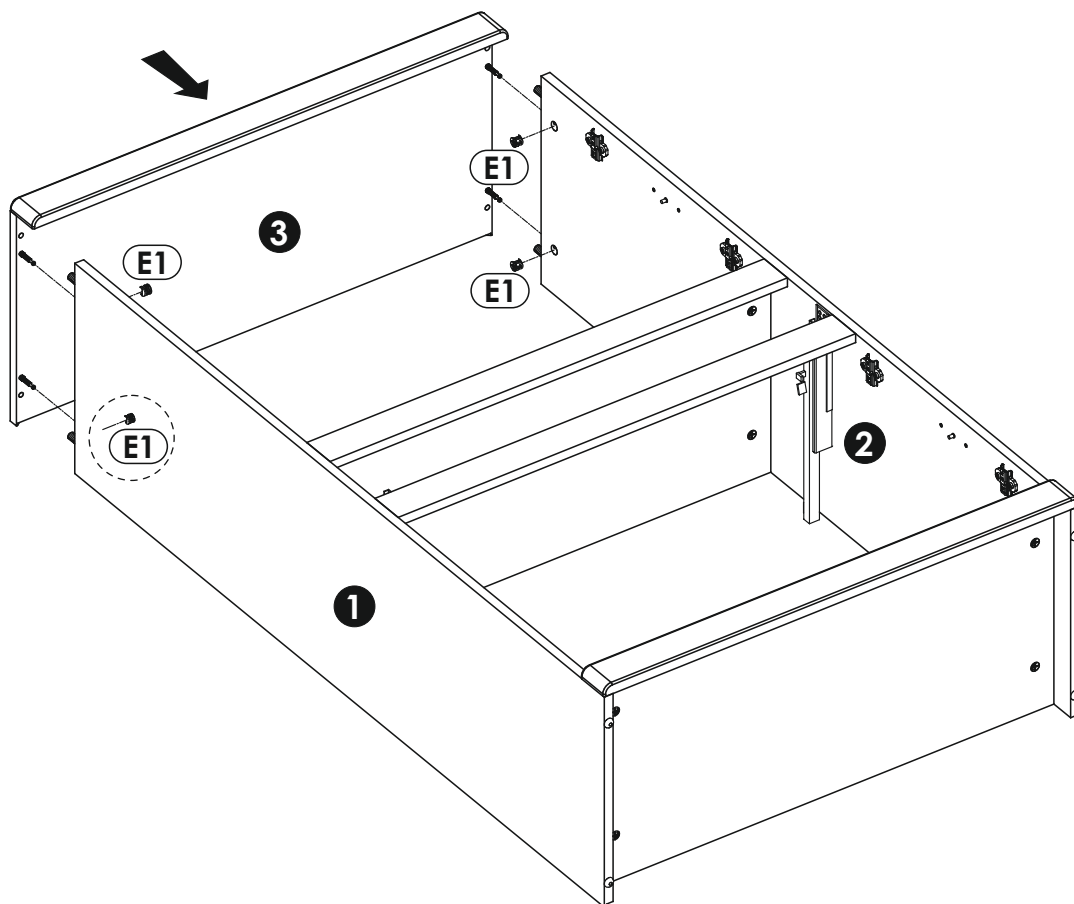
12 ▶



13 ▶



14▶



15▶

