
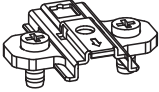
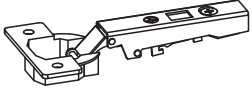

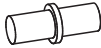




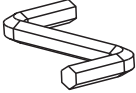


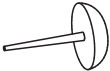

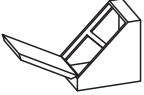
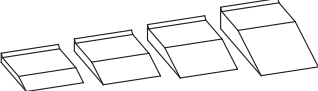
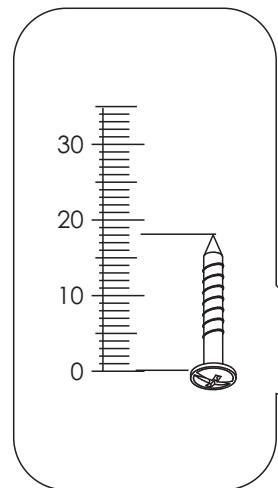
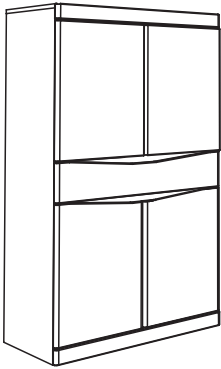
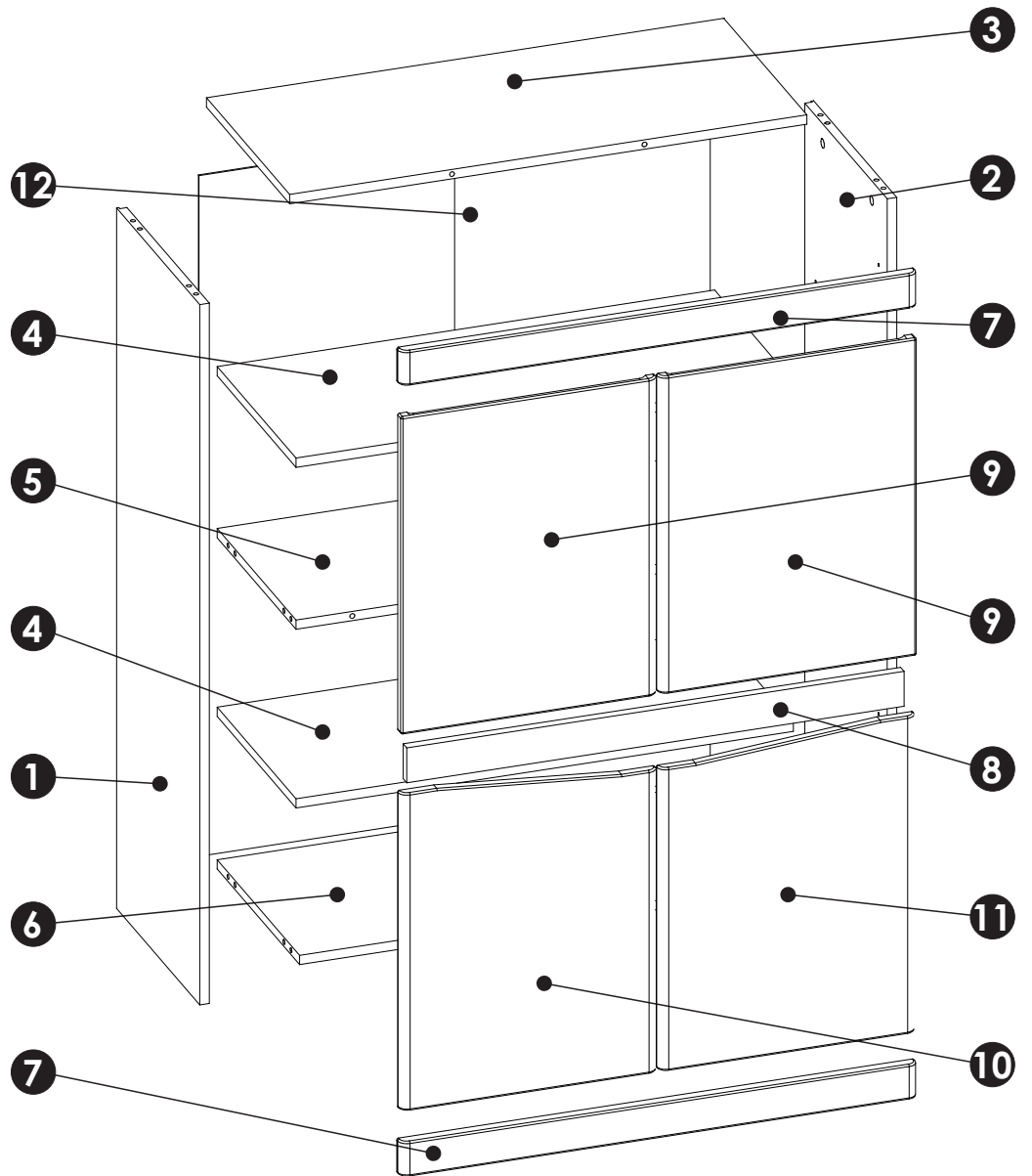


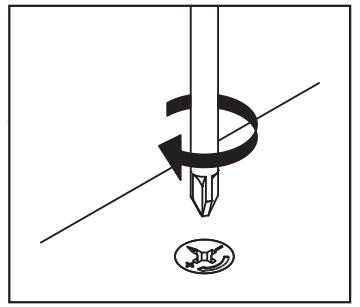
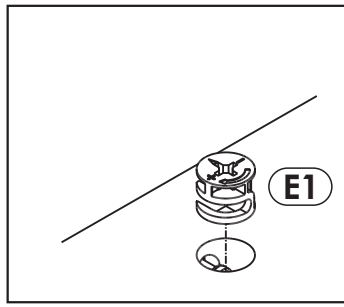
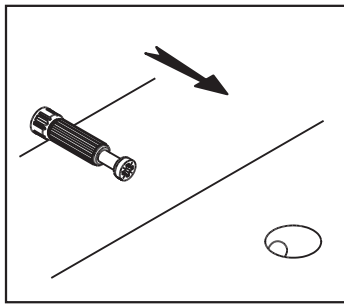
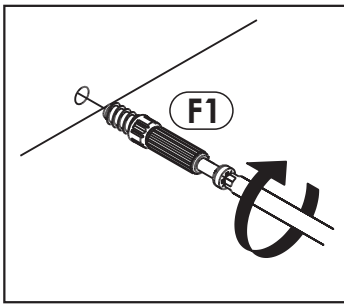
<p>A1 x 19 $\varnothing 8 \times 35$ mm</p> 	<p>BC0 x 8</p> 	<p>BC1 x 8</p> 
<p>C1 x 16 EURO 4 x 13 mm</p> 	<p>D2 x 8</p> 	<p>E0 x 12</p> 
<p>E1 x 12</p> 	<p>F1 x 12</p> 	<p>I2 x 1 4 x 16 mm</p> 
<p>M x 1</p> 	<p>N1 x 40 3 x 16 mm</p> 	<p>N2 x 18 3,5 x 16 mm</p> 
<p>O2 x 4</p> 	<p>Q9 x 1</p> 	<p>W x 9</p> 
<p>Z x 1</p> 		



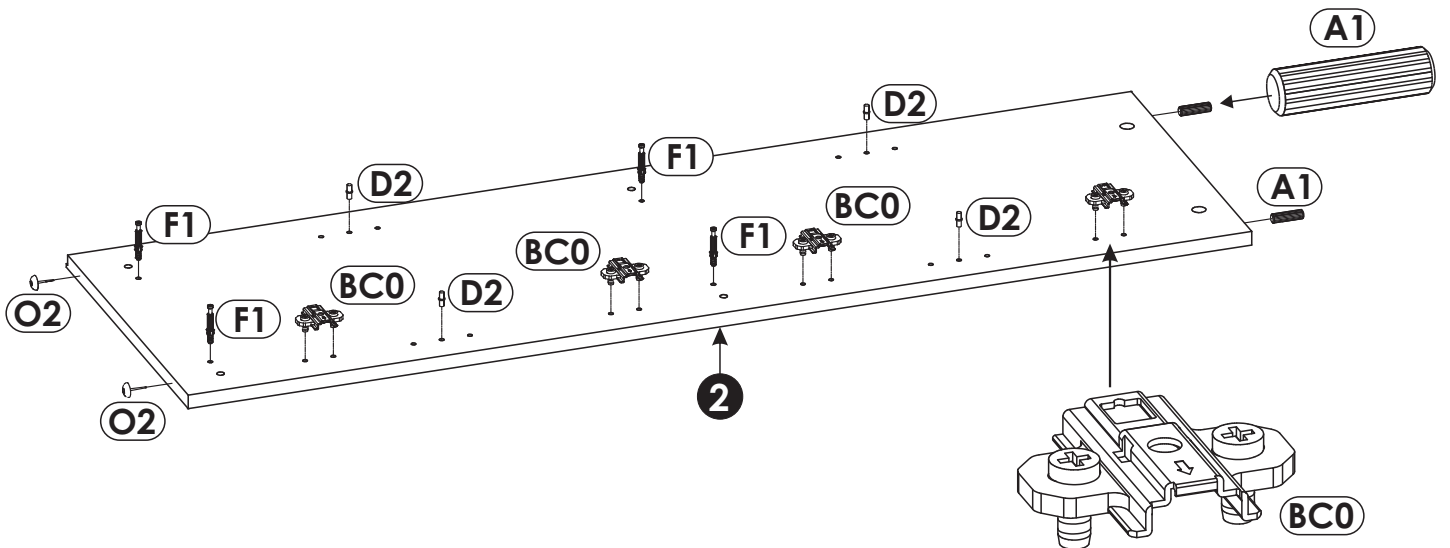
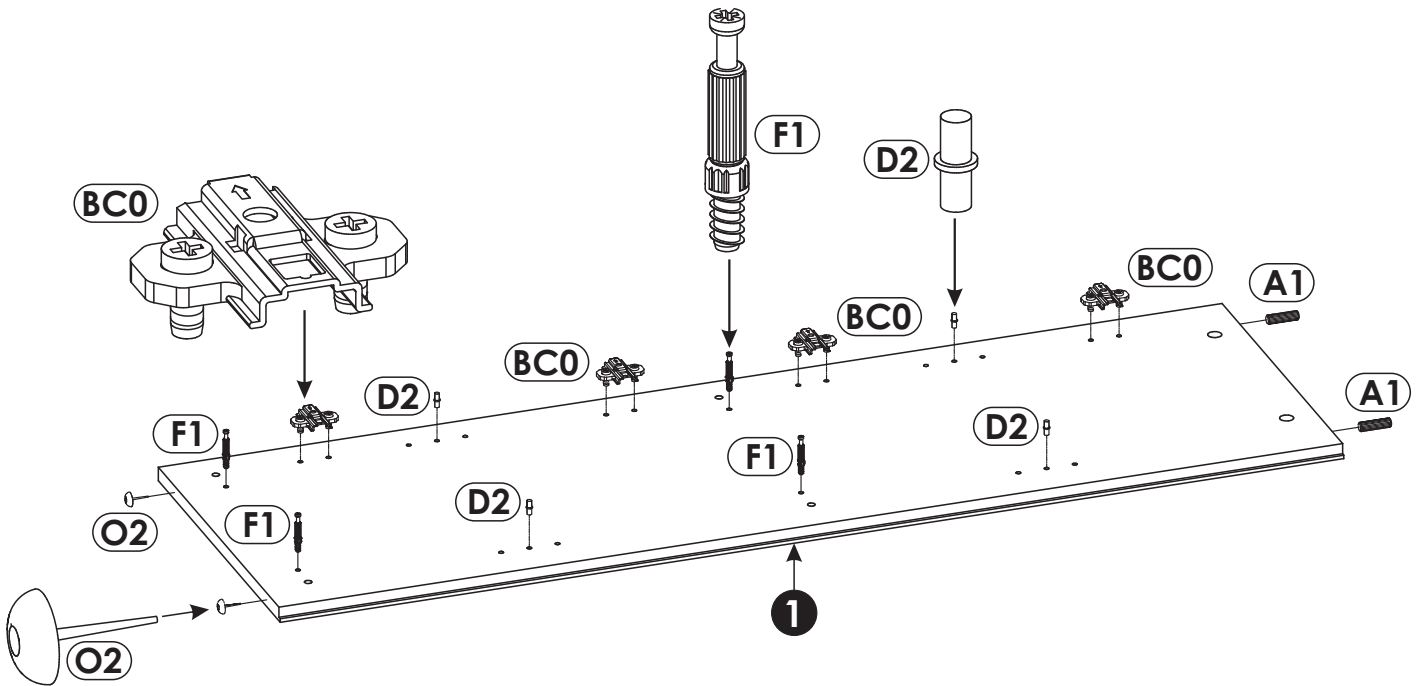
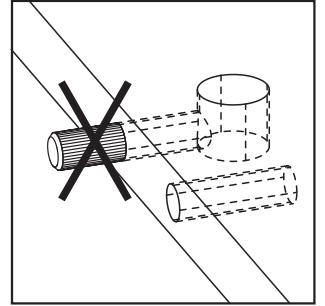
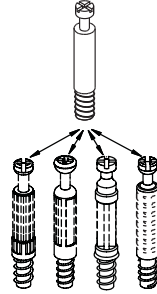
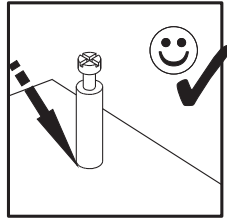
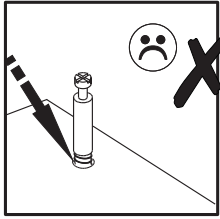


1	1207	380	16	x1	1/2
2	1207	380	16	x1	1/2
3	860	380	16	x1	2/2
4	827	359	16	x2	2/2
5	827	360	16	x1	2/2
6	827	376	16	x1	2/2
7	860	60	19	x2	2/2
8	827	60	16	x1	2/2
9	427	547	16	x2	1/2
10	427	574	16	x1	1/2
11	427	574	16	x1	1/2
12	1173	848	3	x1	1/2

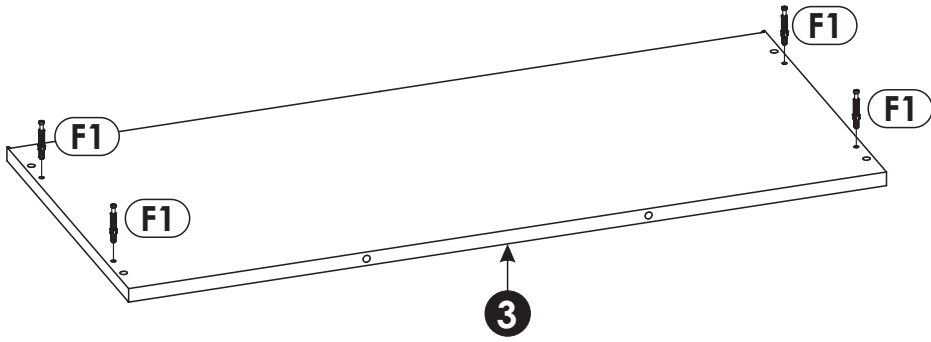




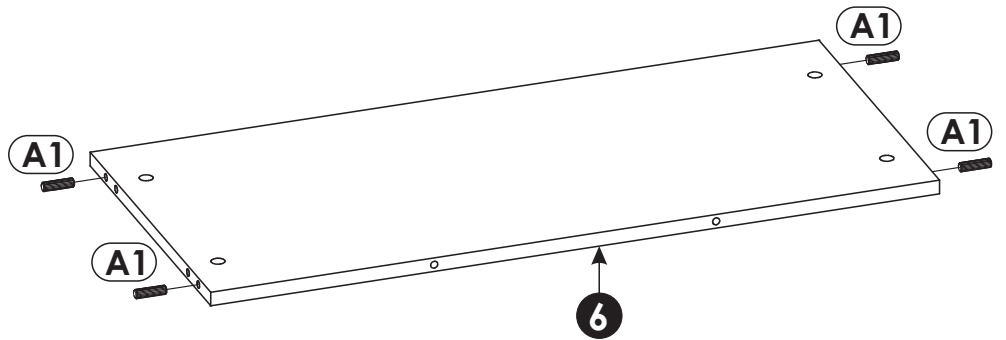
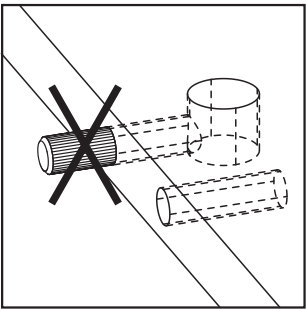
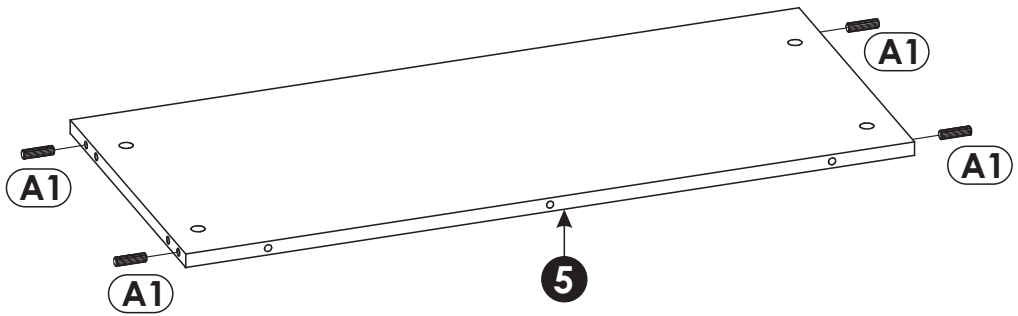
1 ▶



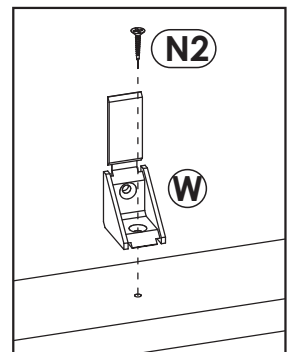
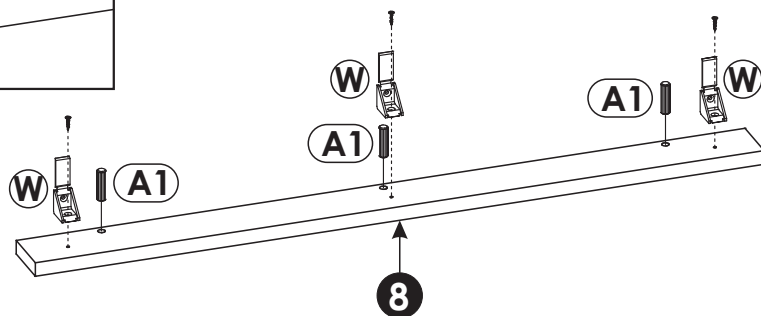
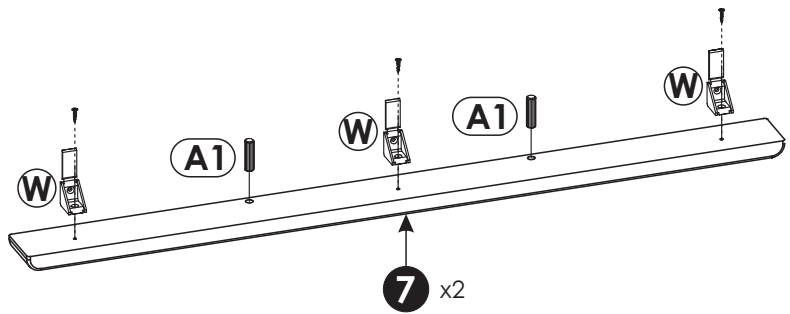
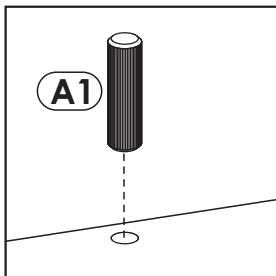
2 ▶



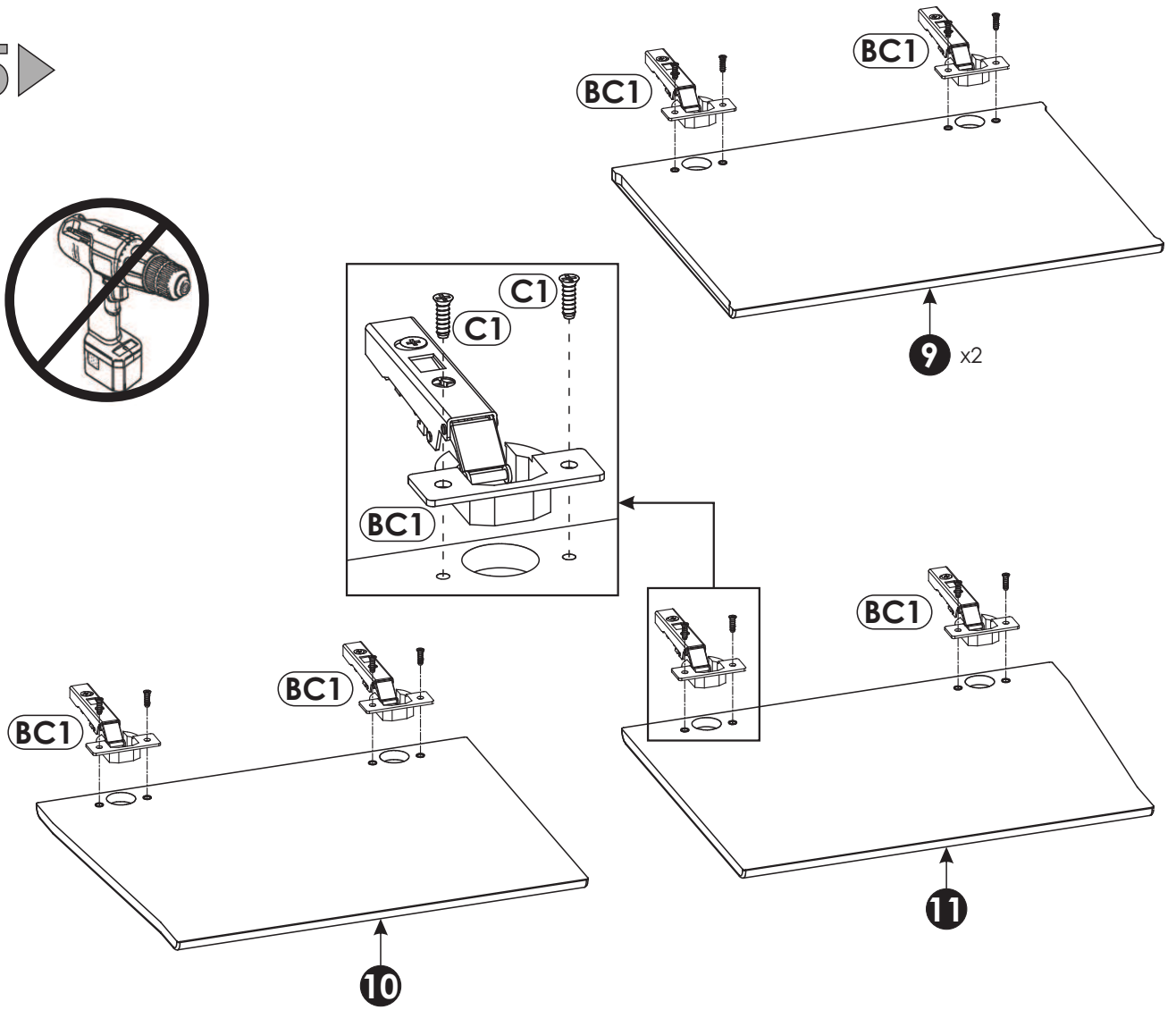
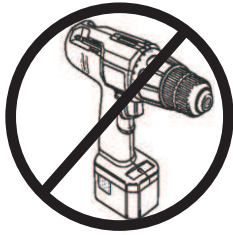
3 ▶



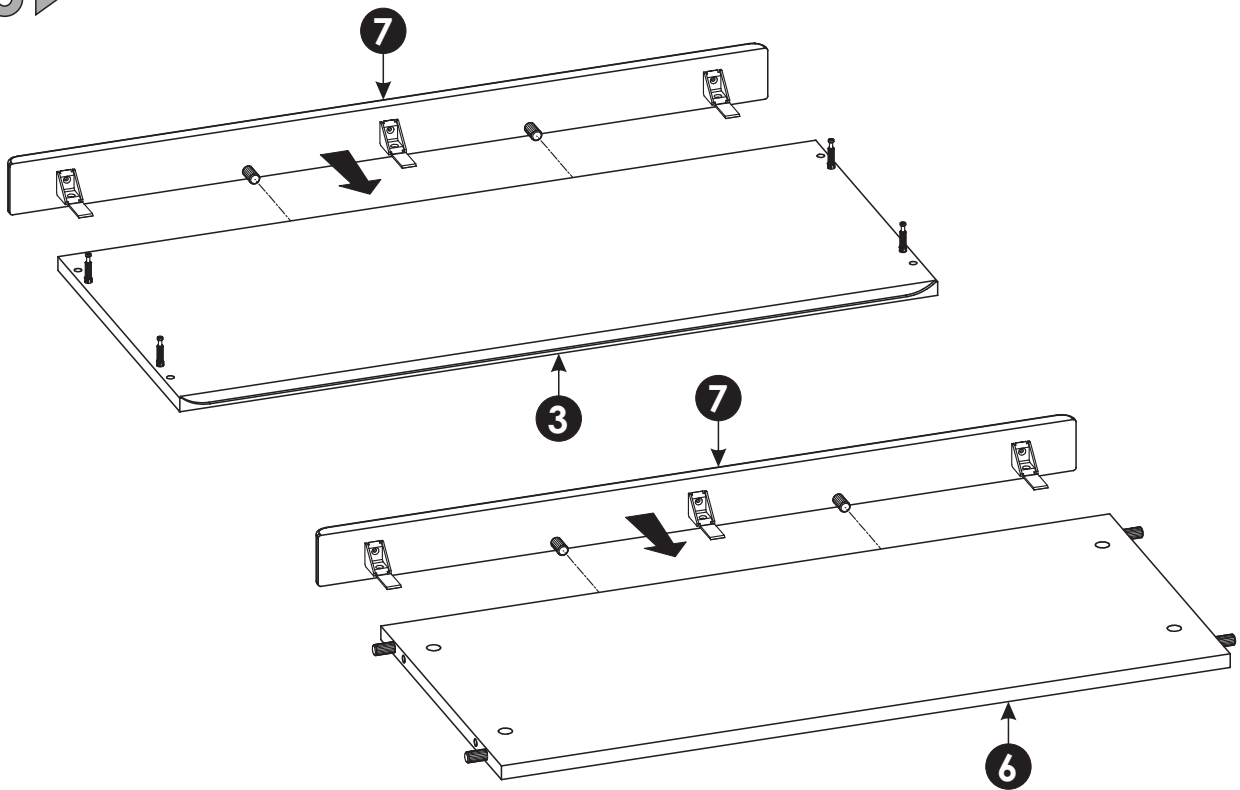
4 ▶



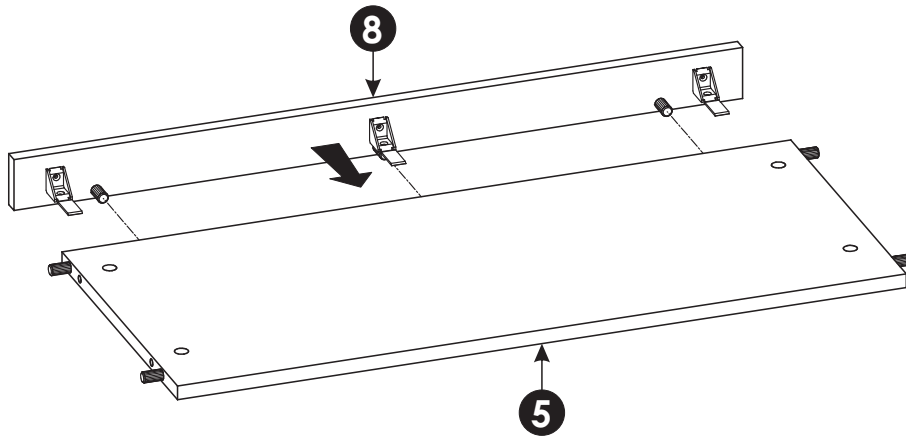
5 ▶



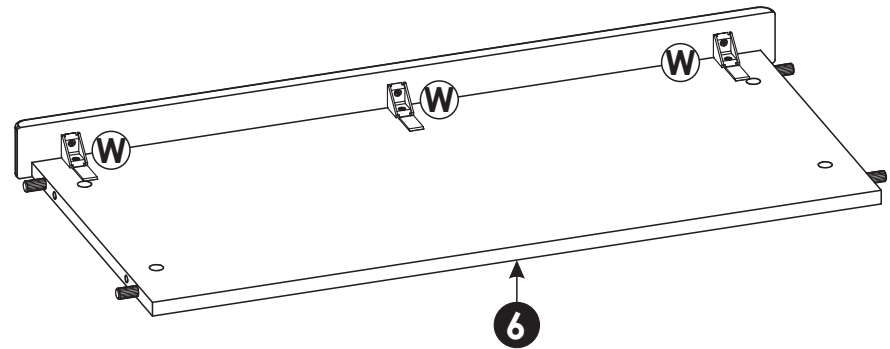
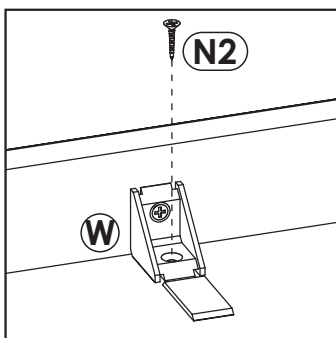
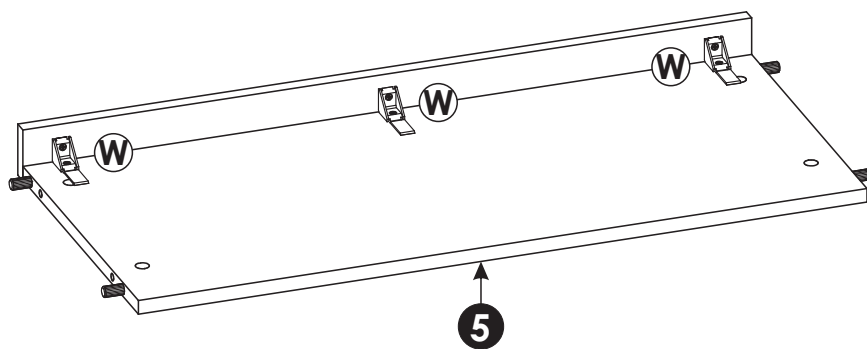
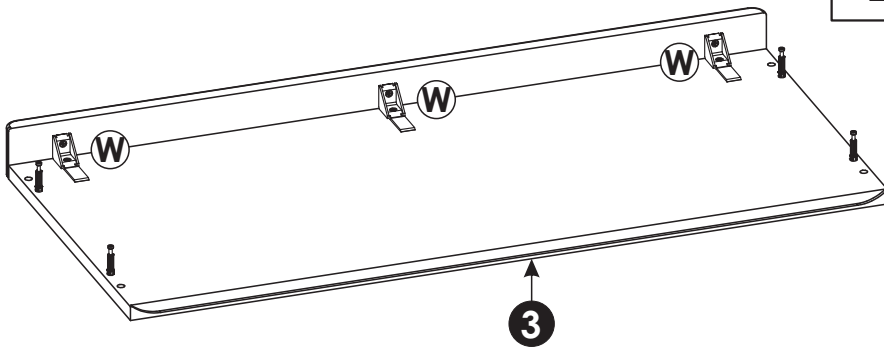
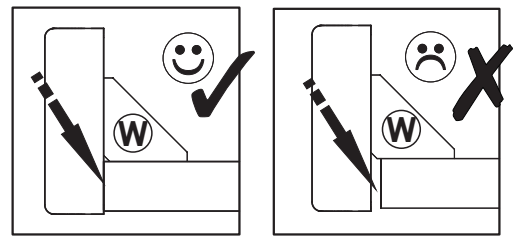
6 ▶



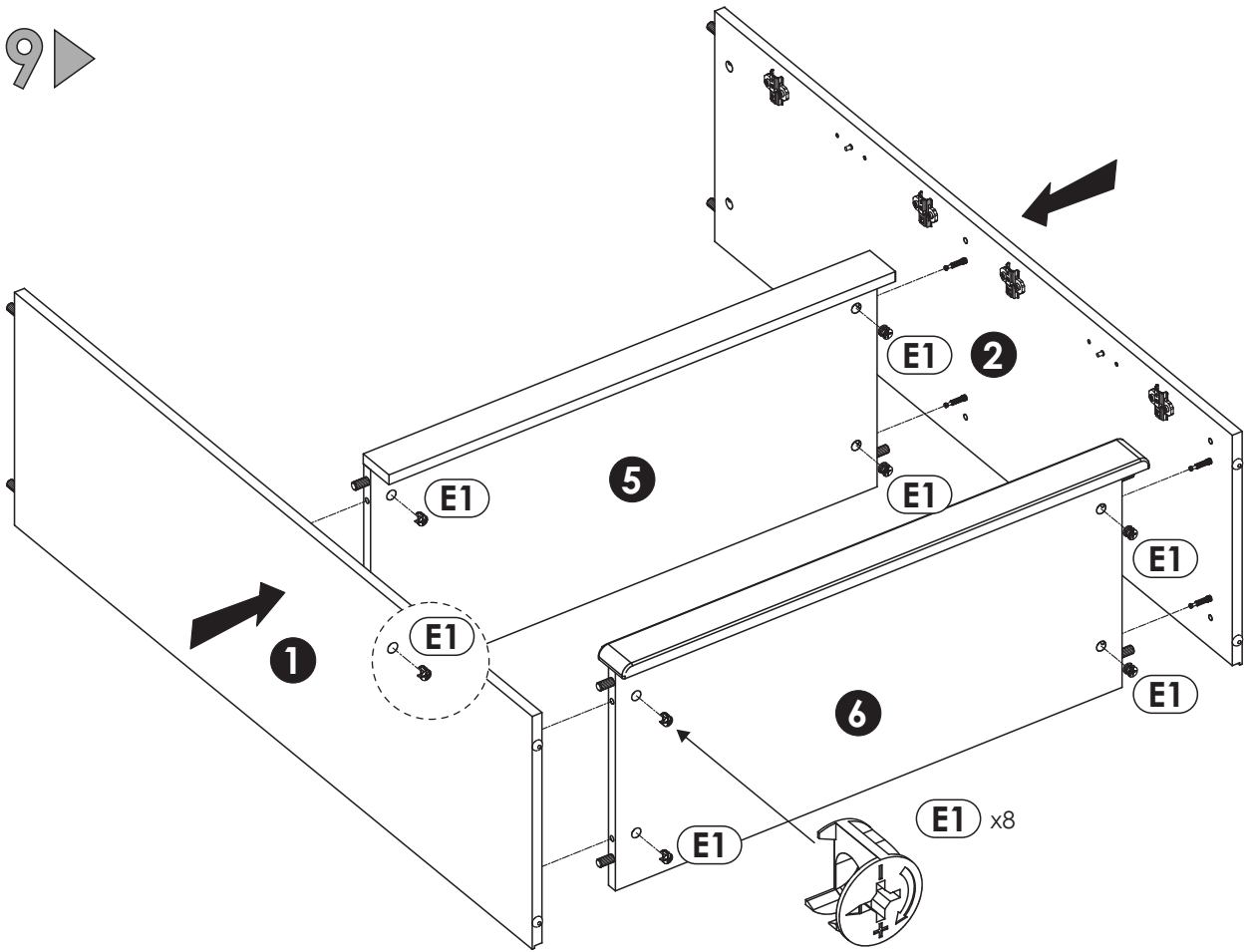
7 ▶



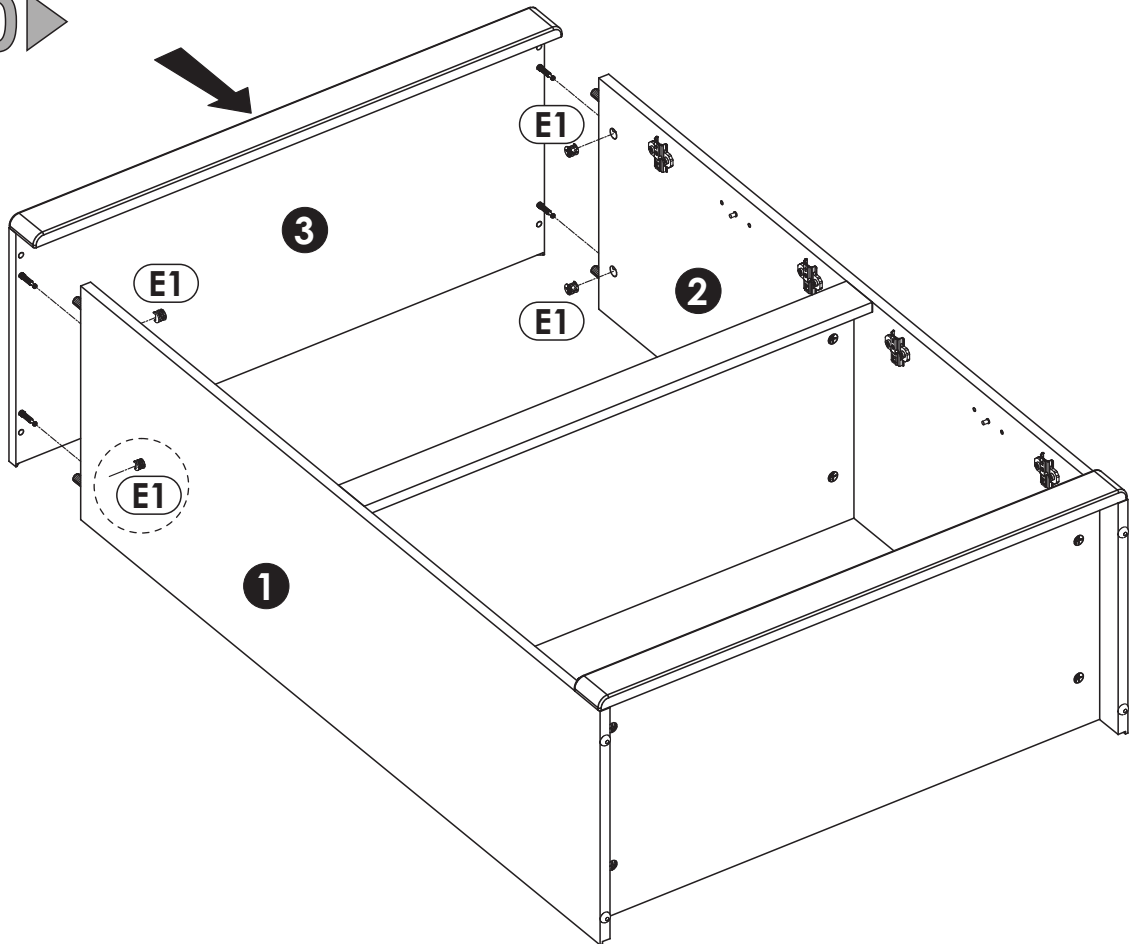
8 ▶

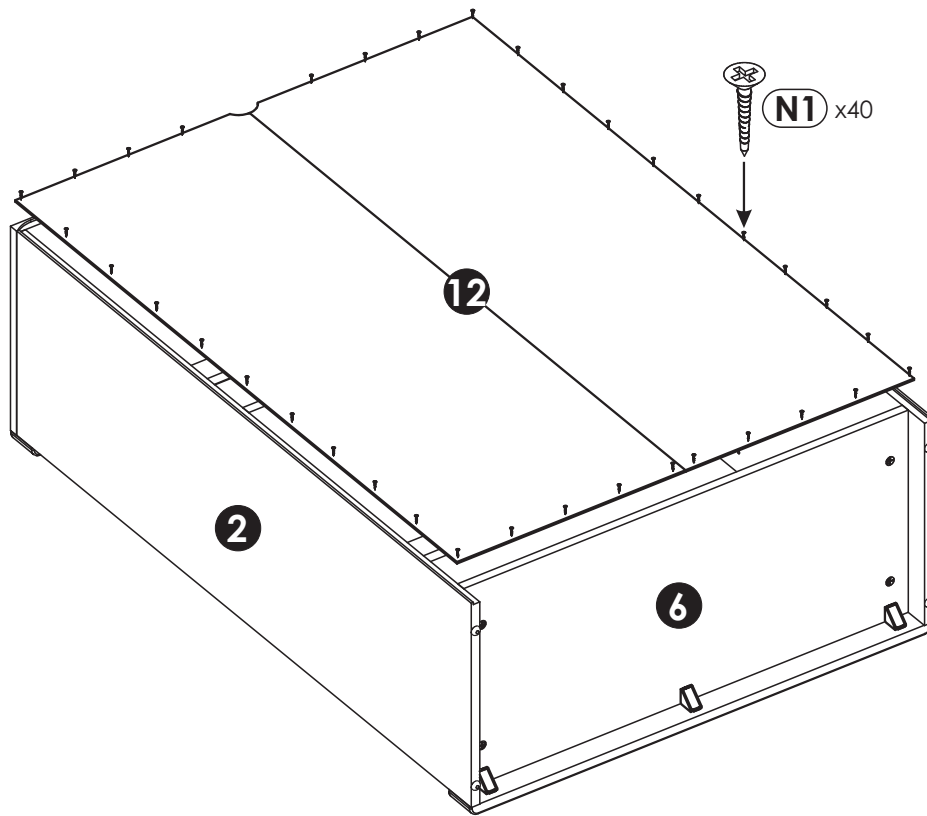
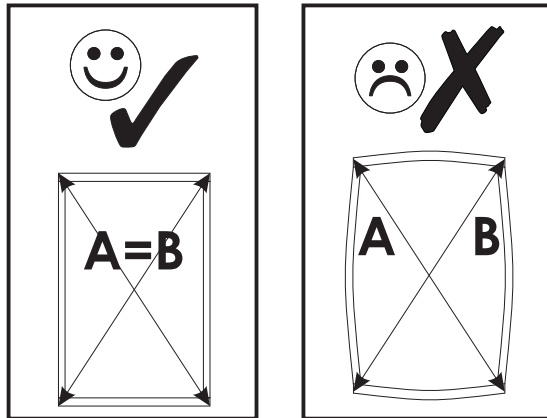


9 ▶



10 ▶





12 ▶

