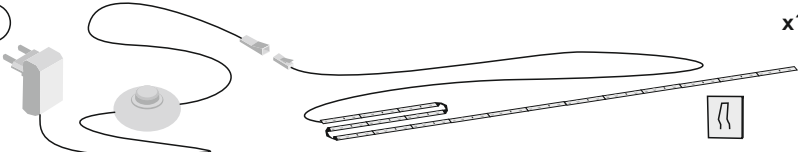
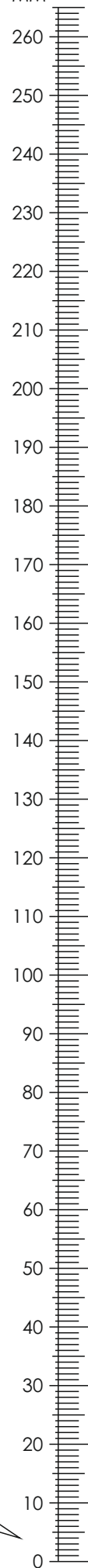
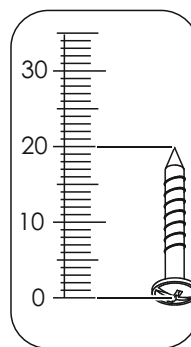
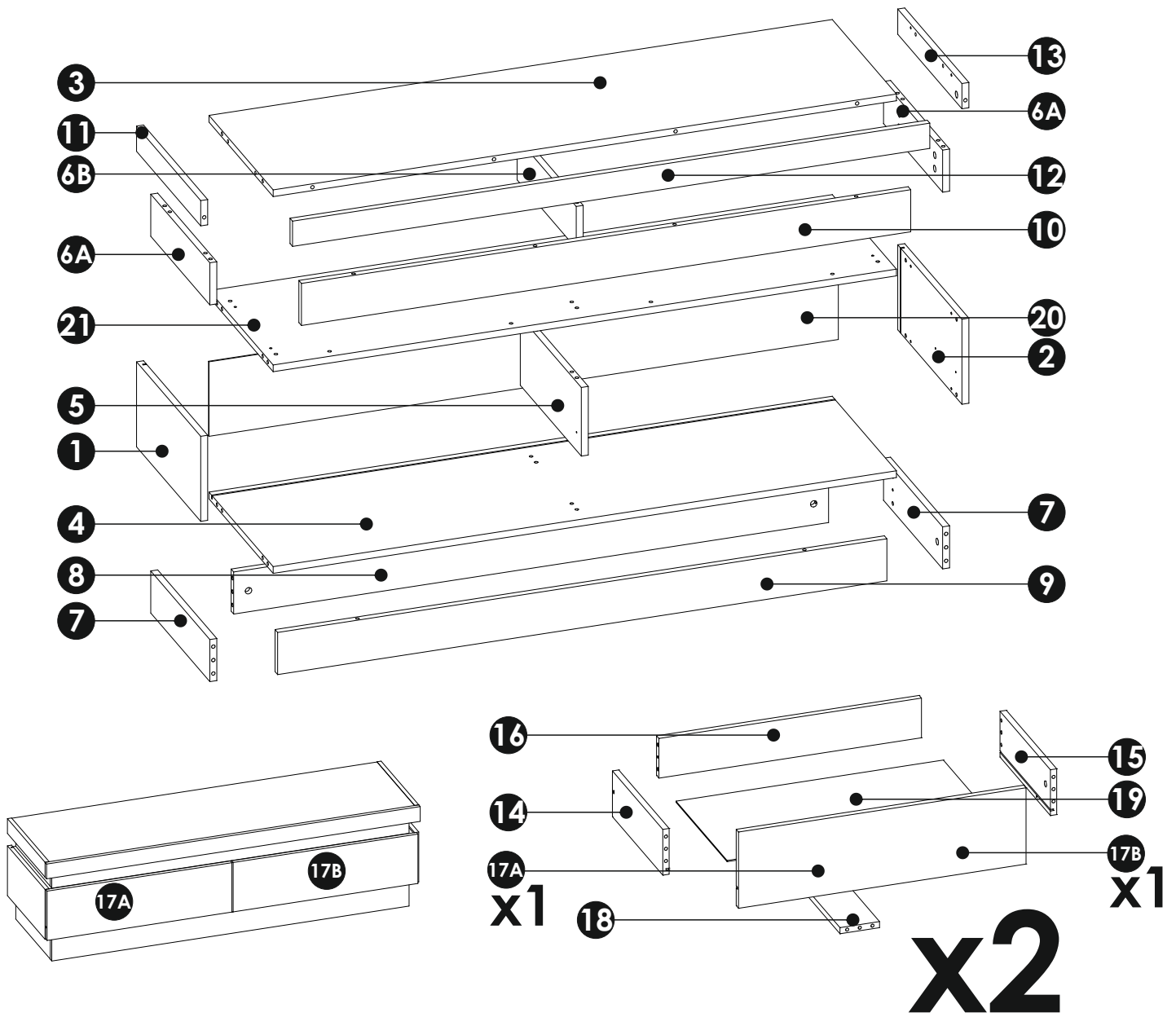


MM

A1	8 x 35 mm	x60	A3	8 x 60 mm	x2	C2	5 x 13 mm	x8
E0		x34	E1	15 x 12 mm	x46	F1	6 x 34 mm	x42
F4	7 x 70 mm	x2	G0		x6	G1	7 x 50 mm	x6
I2	4 x 16 mm	x2	J10	3,5 x 40 mm	x4	M		x1
L						N1	3 X 16 mm	x15
N2	3,5 X 16 mm	x20	O2		x8	Q9		x2
R4		x10	S13		x2	T10		x2
W		x10	Z		x1			

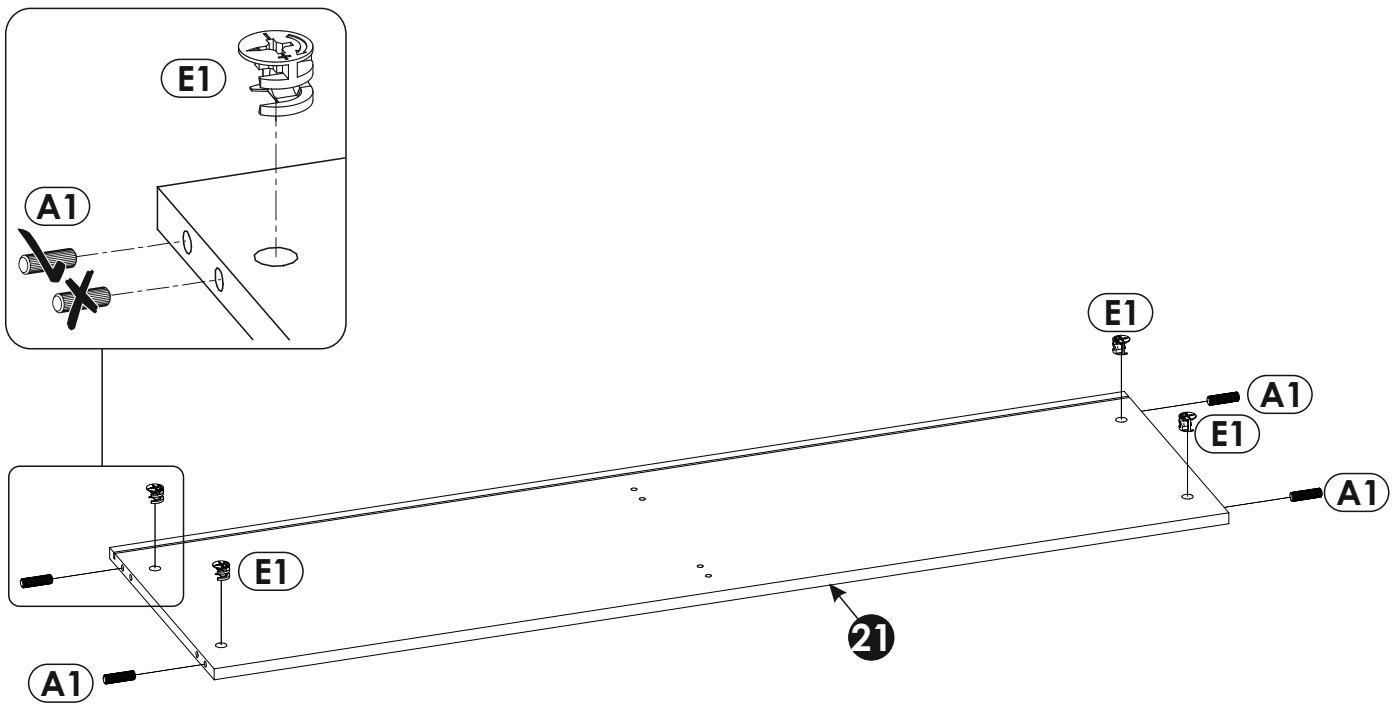
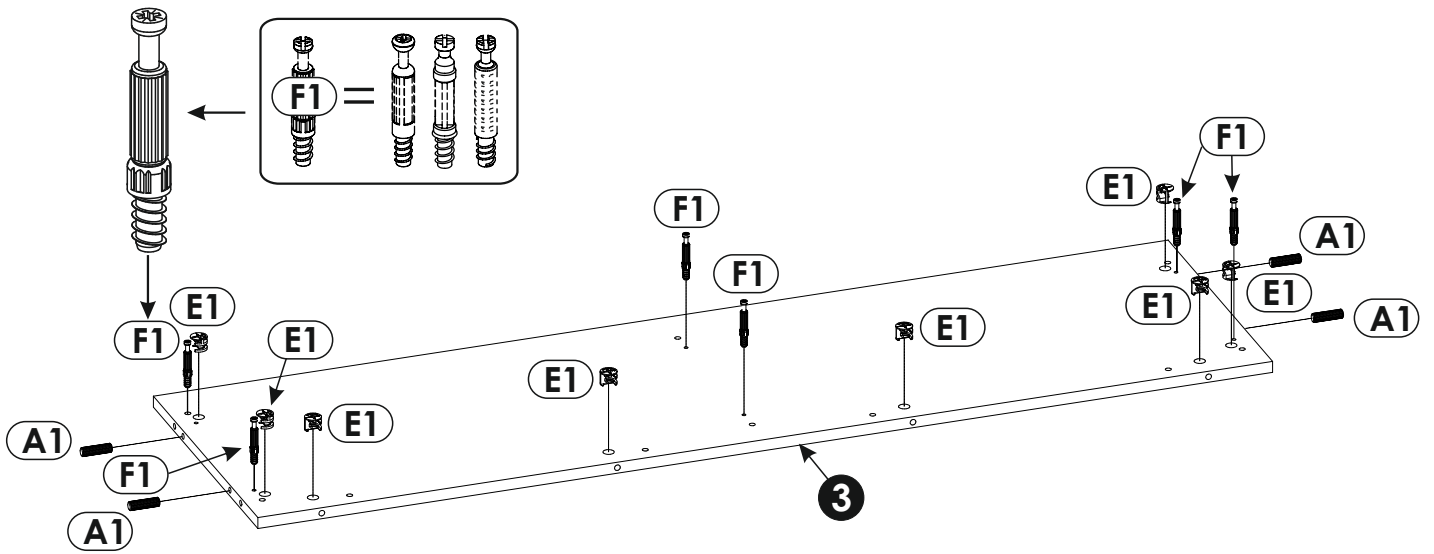
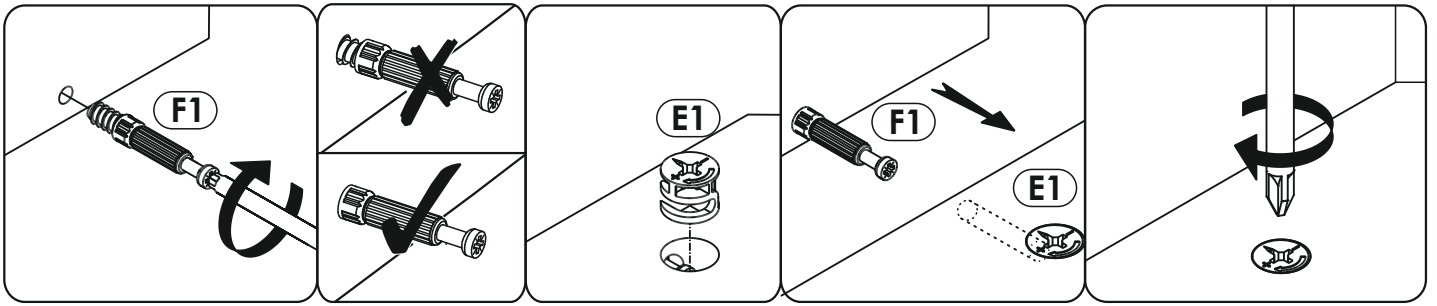




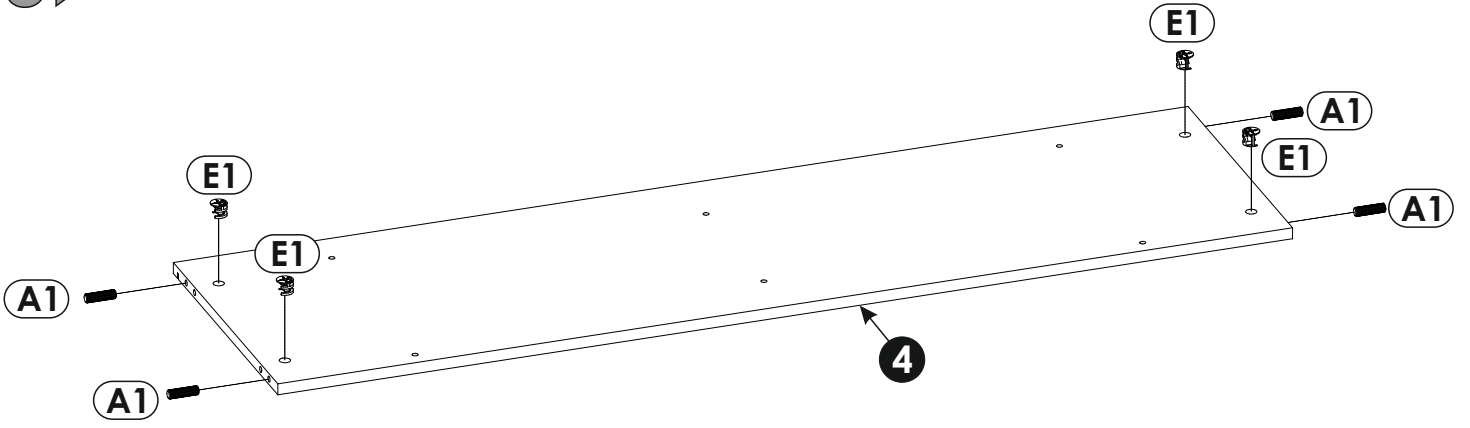
1	202	404	16	x1	1/2
2	202	404	16	x1	1/2
3	1428	404	16	x1	2/2
4	1428	404	16	x1	2/2
5	163	384	16	x1	1/2
6A/6B	372	100	16	x3	1/2
7	372	100	16	x2	1/2

8	1363	100	16	x1	2/2
9	1396	100	16	x1	2/2
10	1396	100	16	x1	2/2
11	404	60	16	x1	1/2
12	1460	60	16	x1	2/2
13	404	60	16	x1	1/2
14	350	120	16	x2	1/2

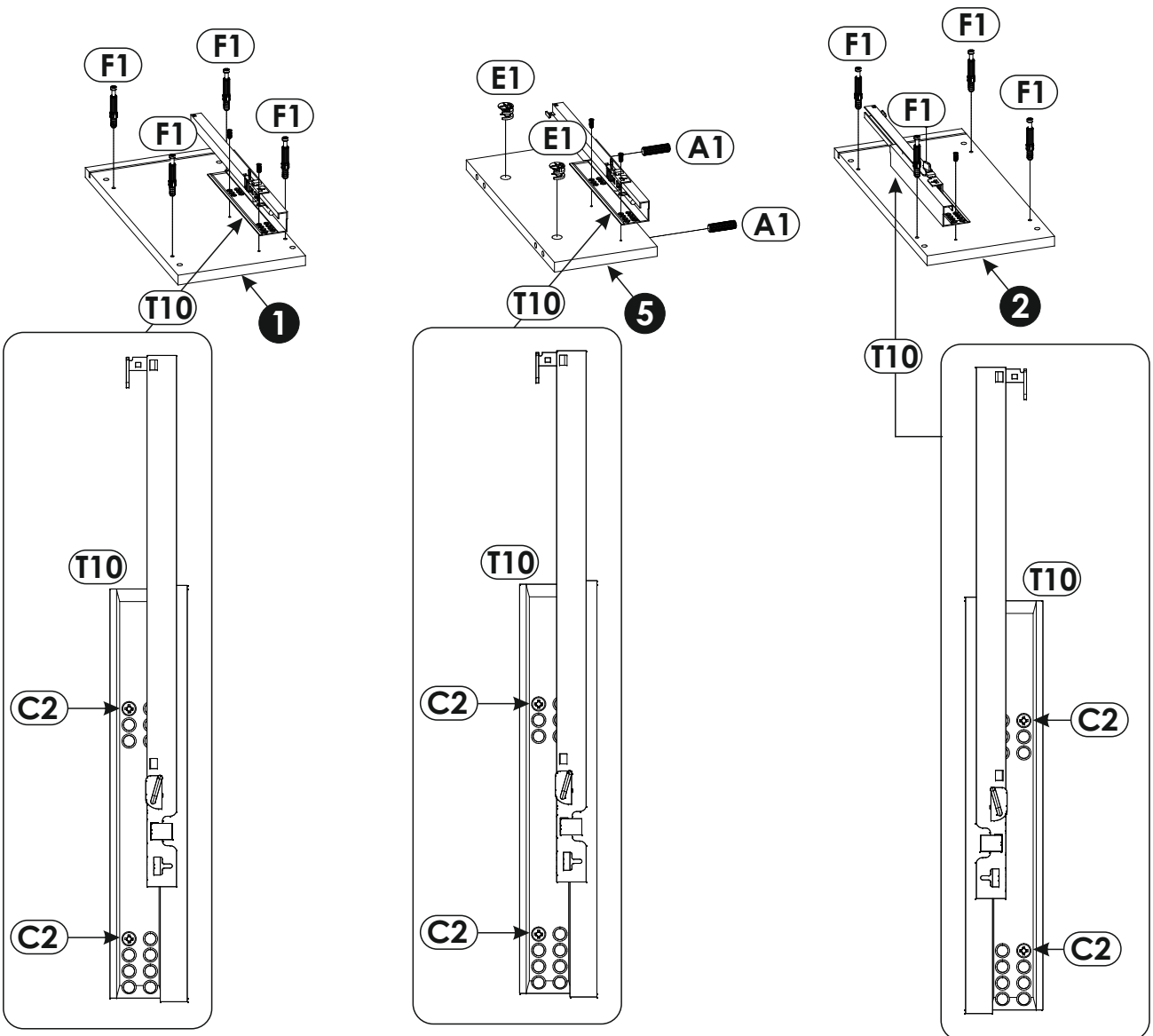
15	350	120	16	x2	1/2
16	664	104	16	x2	1/2
17A/17B	727	200	16	x2	1/2
18	350	100	16	x2	1/2
19	676	355	3	x2	1/2
20	1442	177	3	x1	2/2
21	1428	404	16	x1	2/2



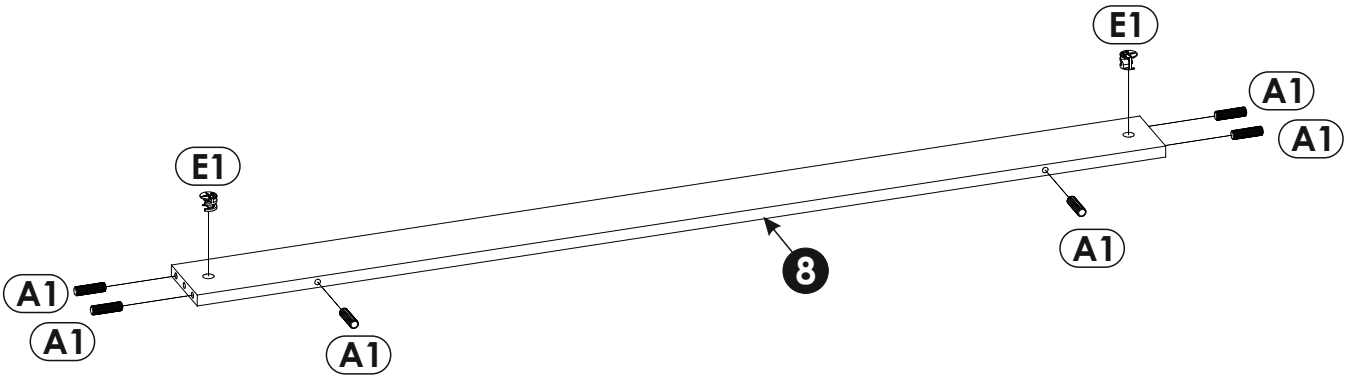
3 ▶



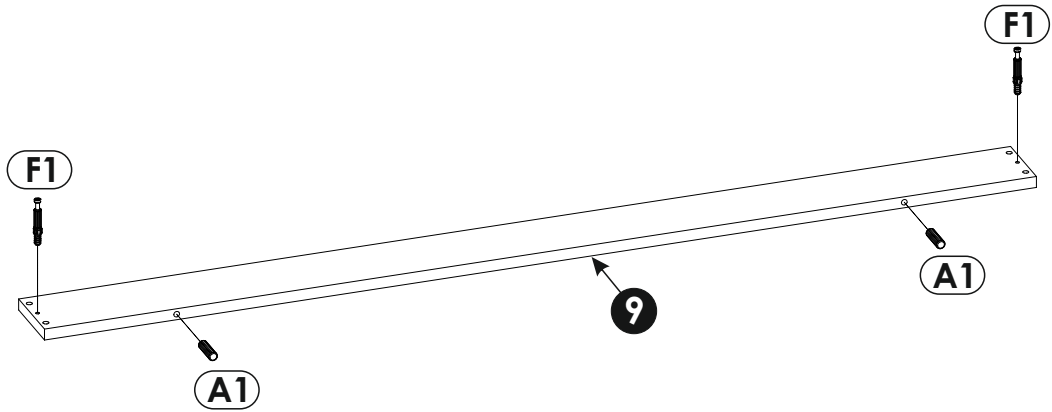
4 ▶



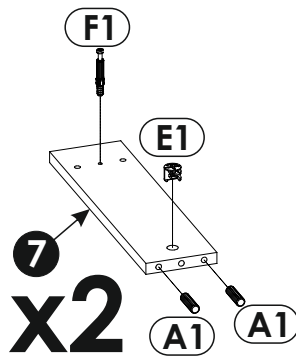
5▶



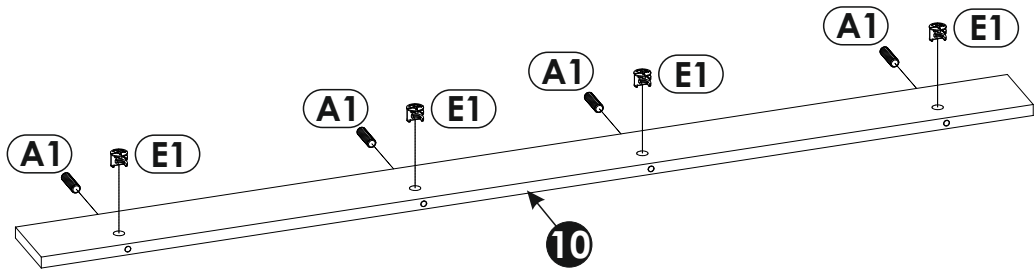
6▶



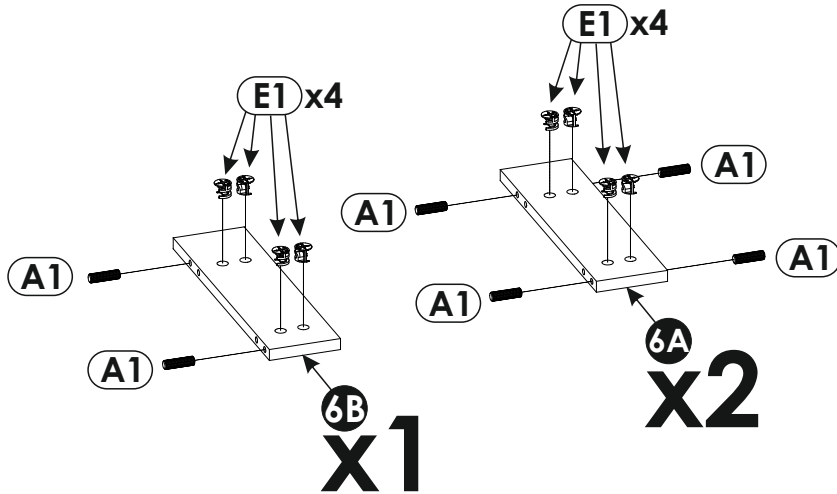
7▶



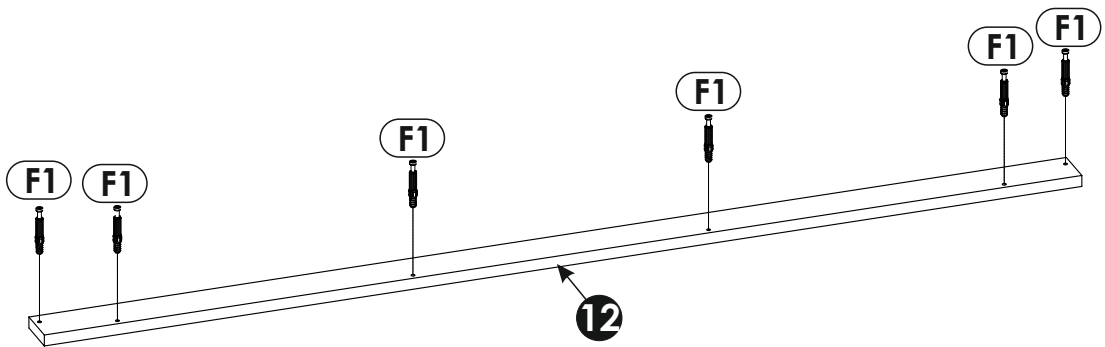
8 ▶



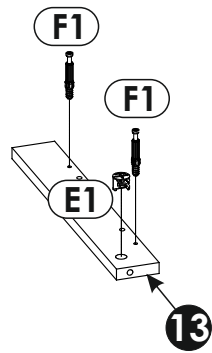
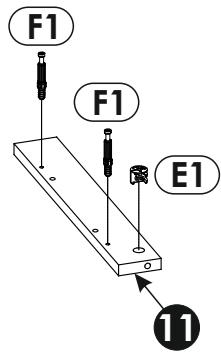
9 ▶



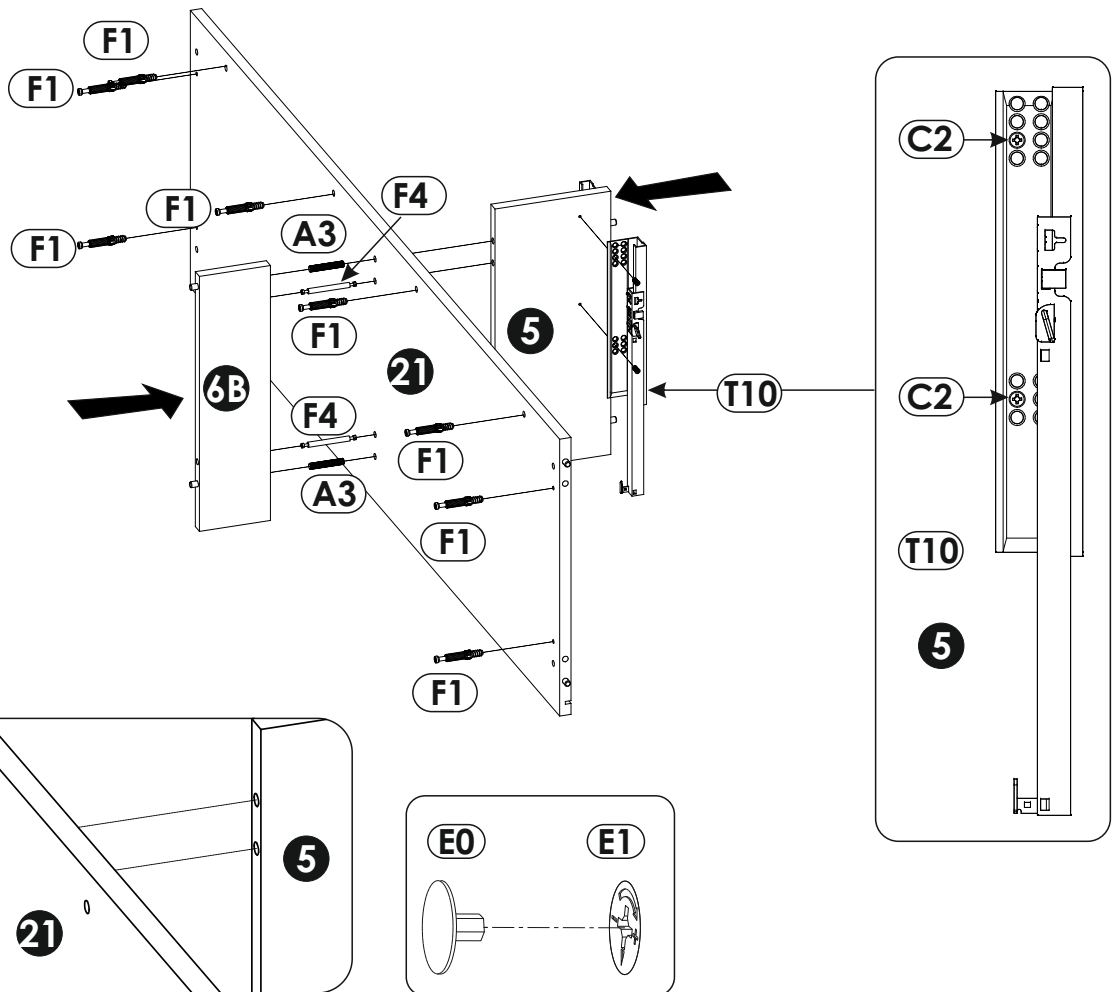
10 ▶



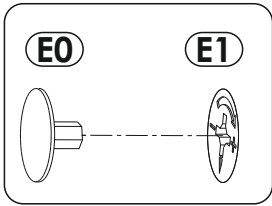
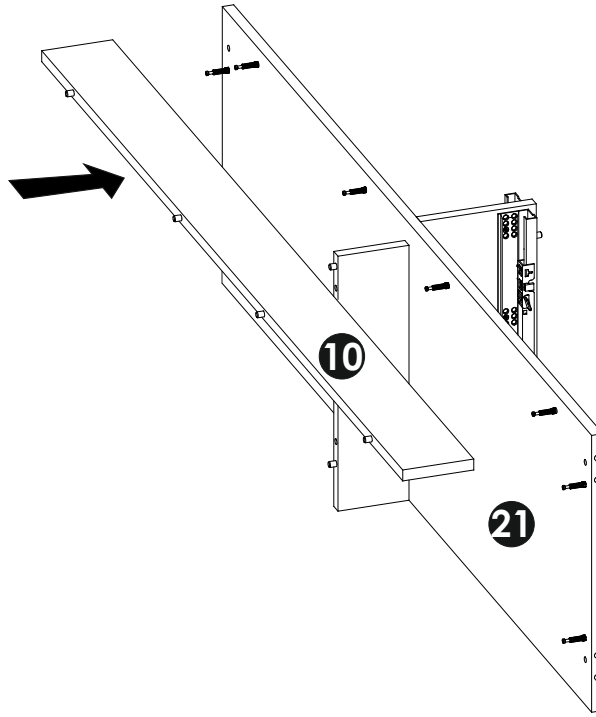
11 ▶



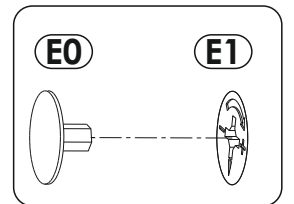
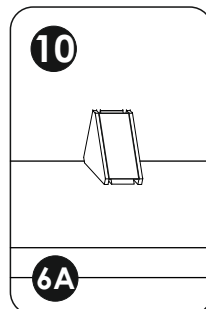
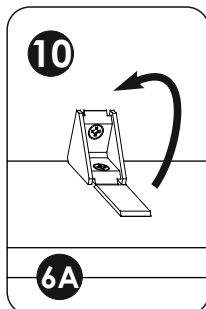
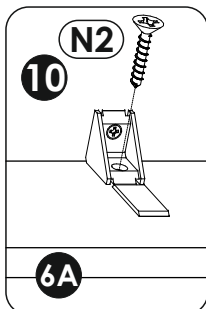
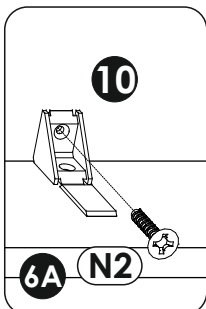
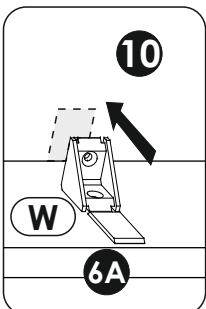
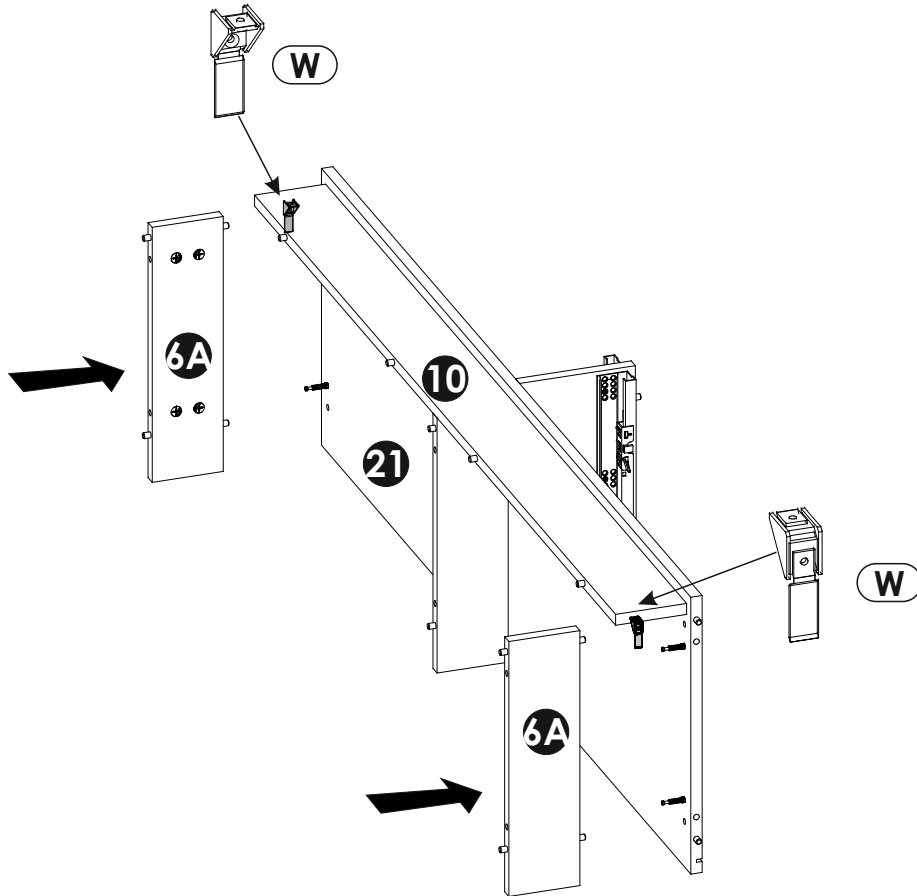
12 ▶



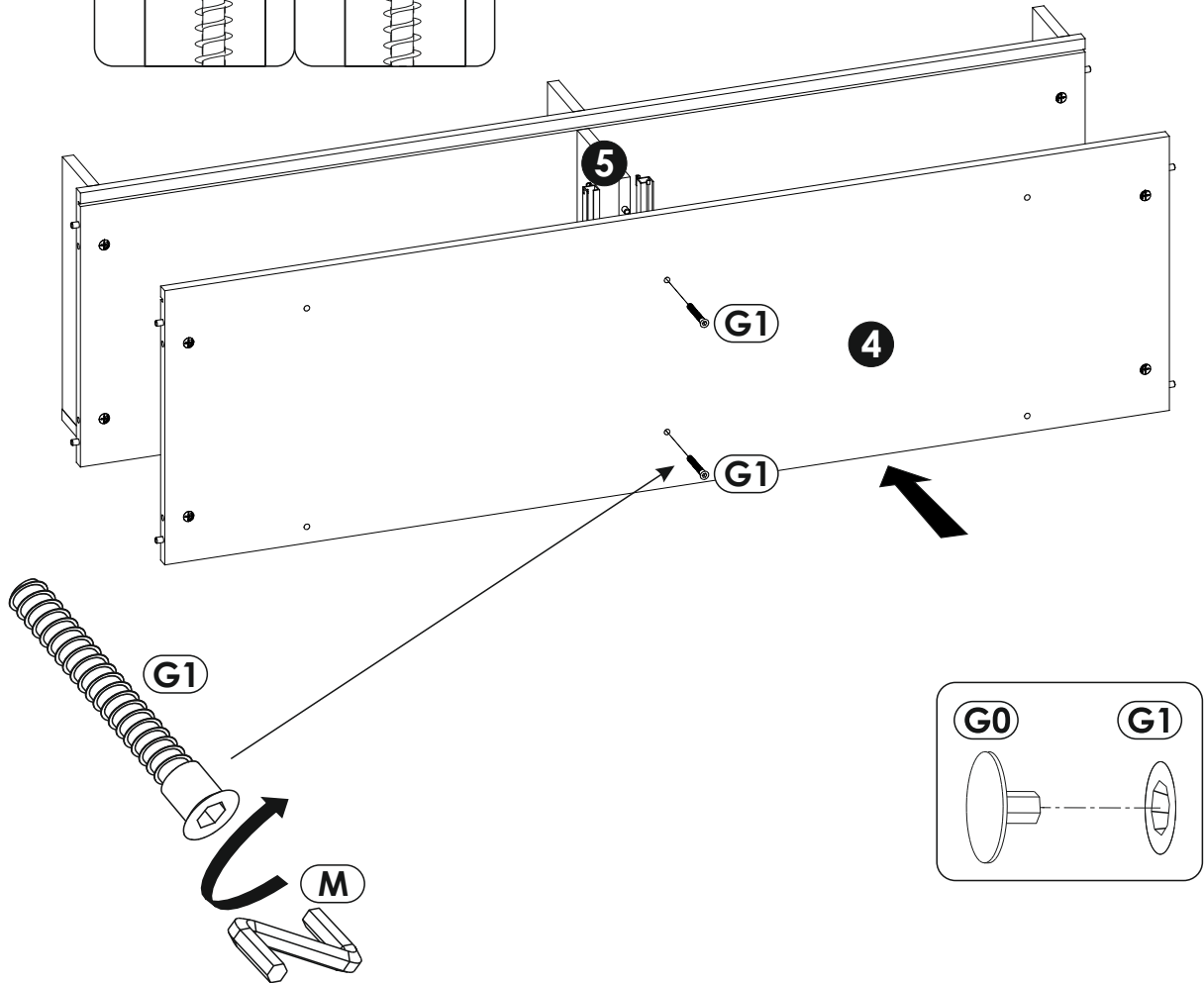
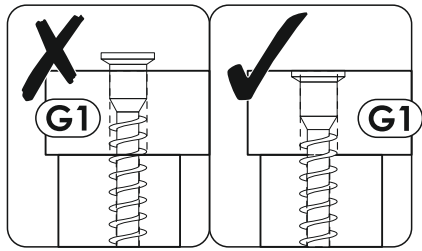
13▶



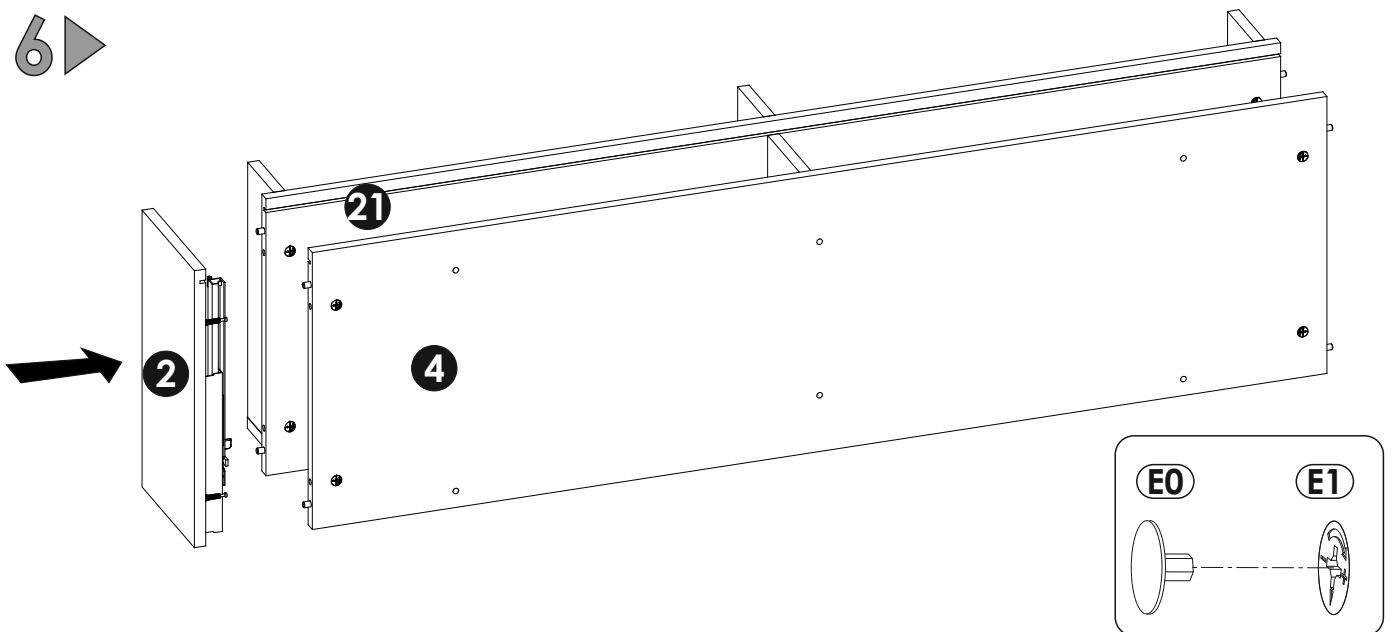
14▶



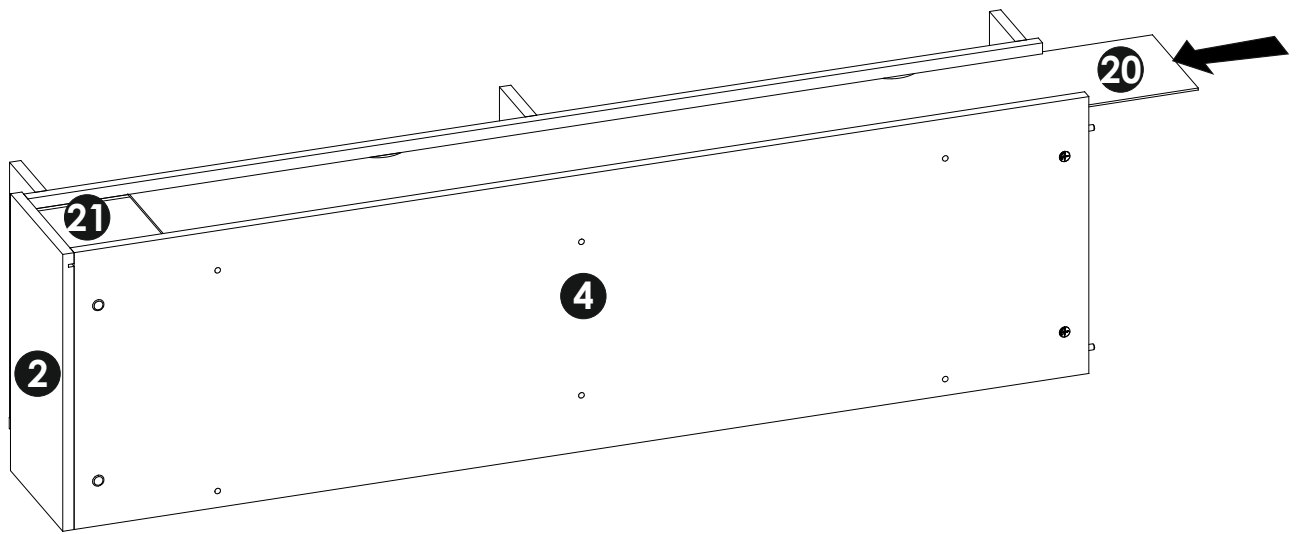
15▶



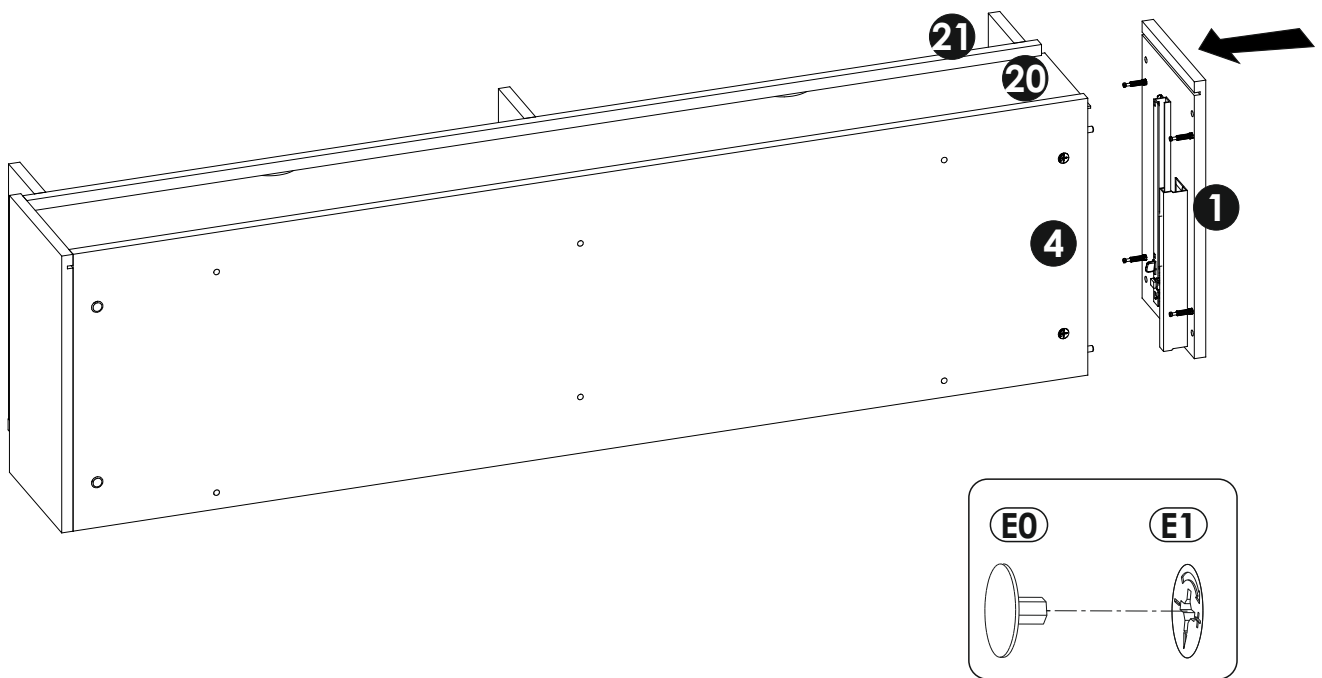
16▶



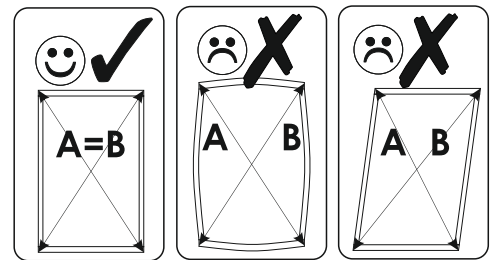
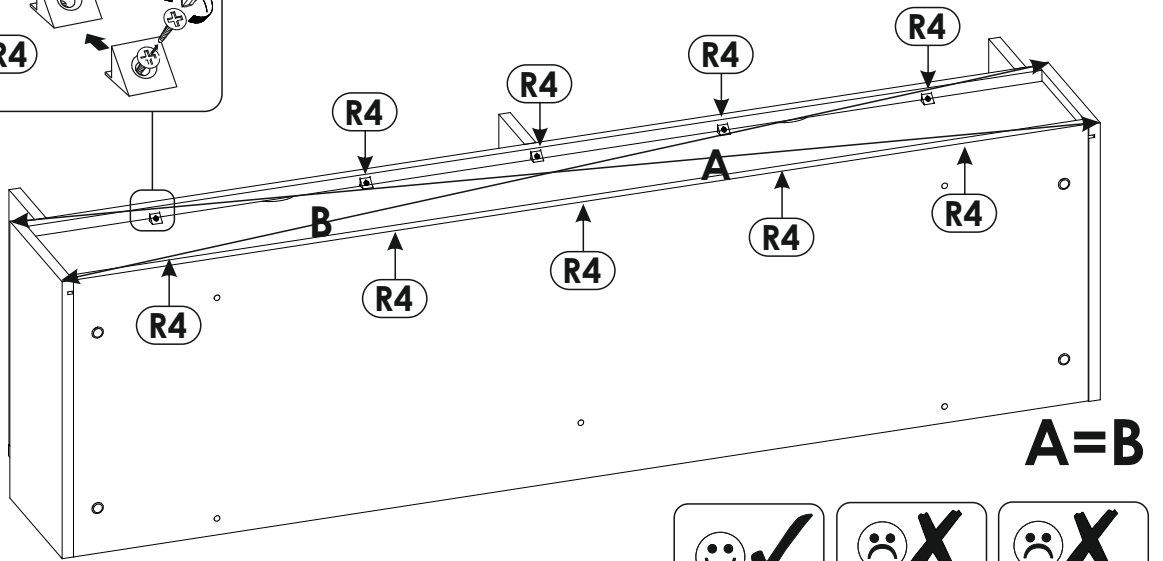
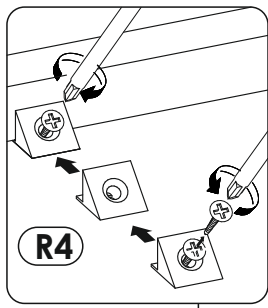
17▶



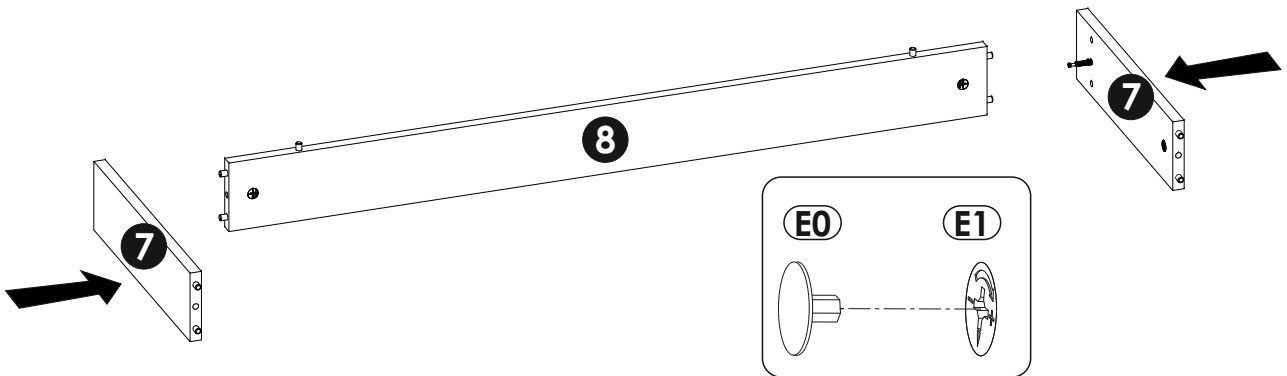
18▶



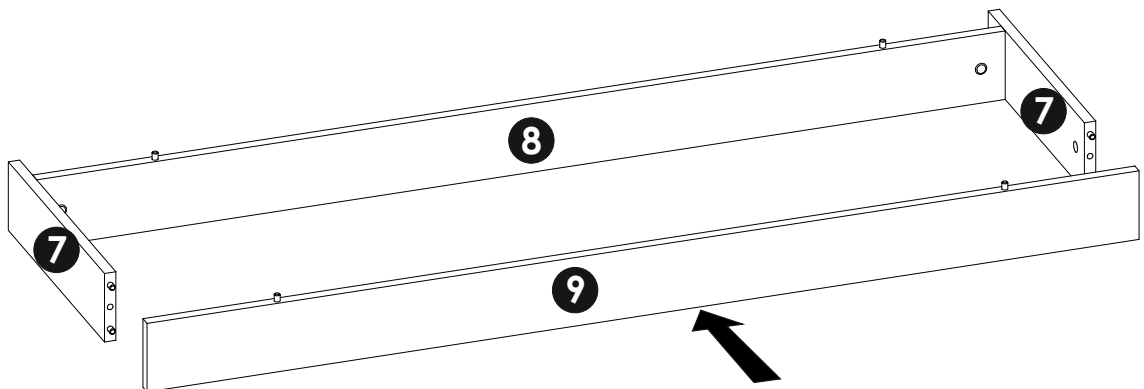
19 ▶



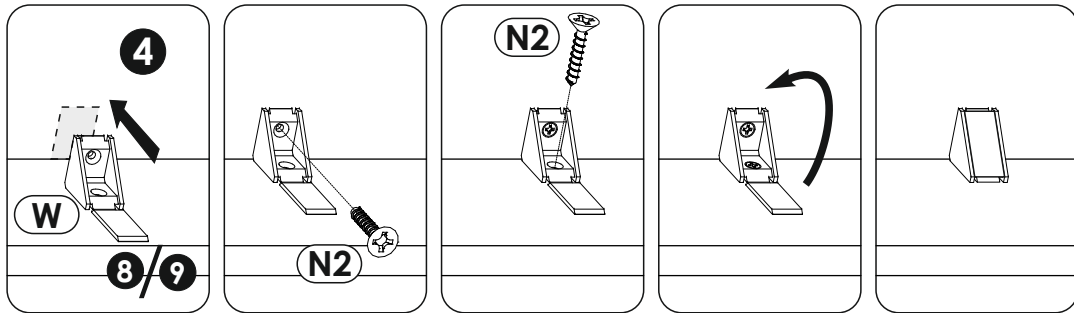
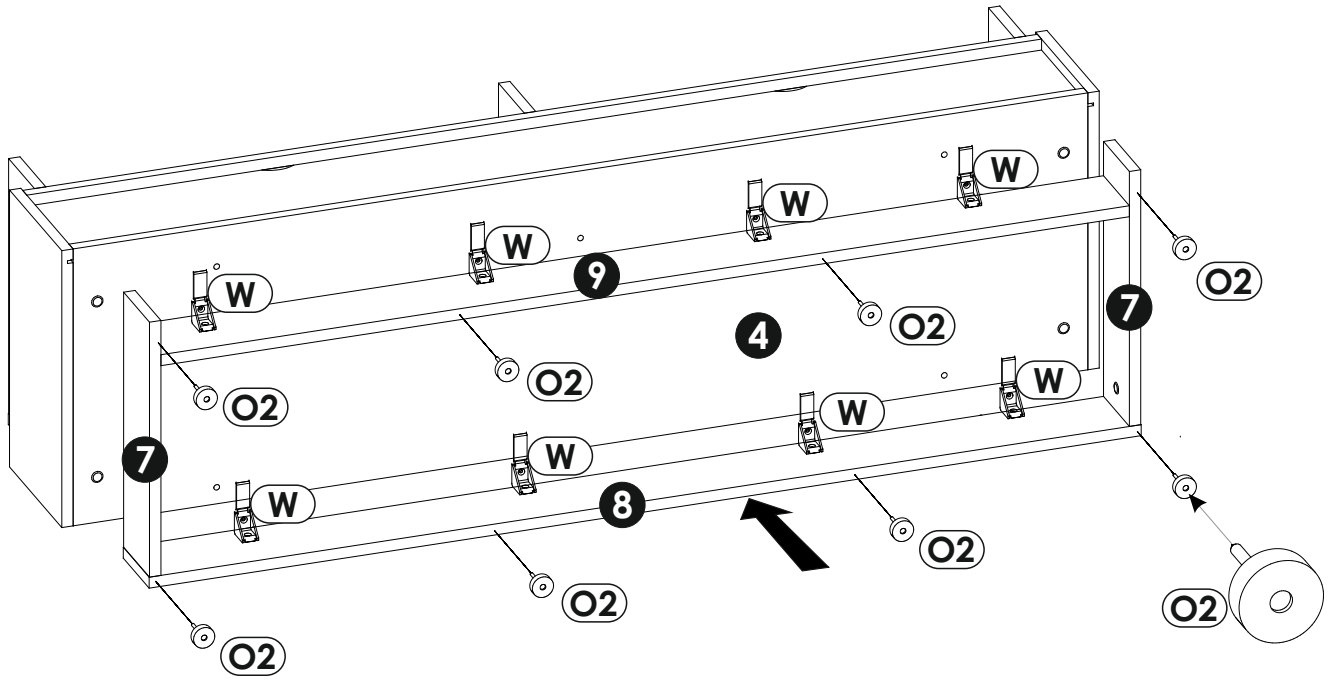
20 ▶



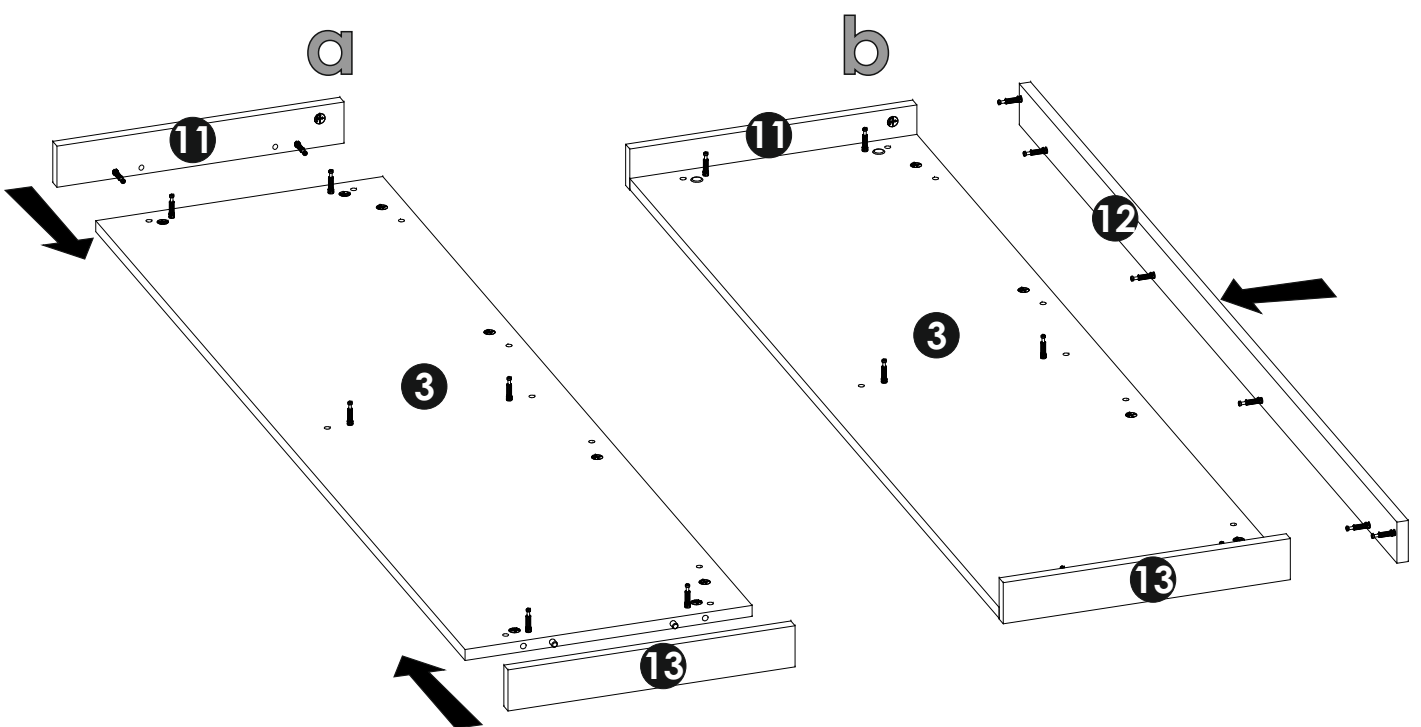
21 ▶



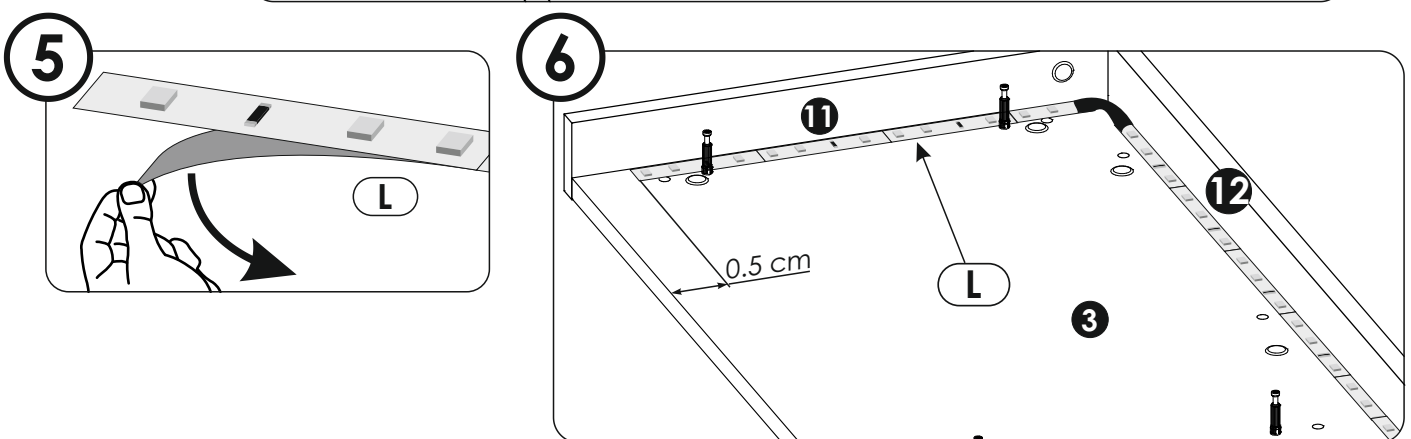
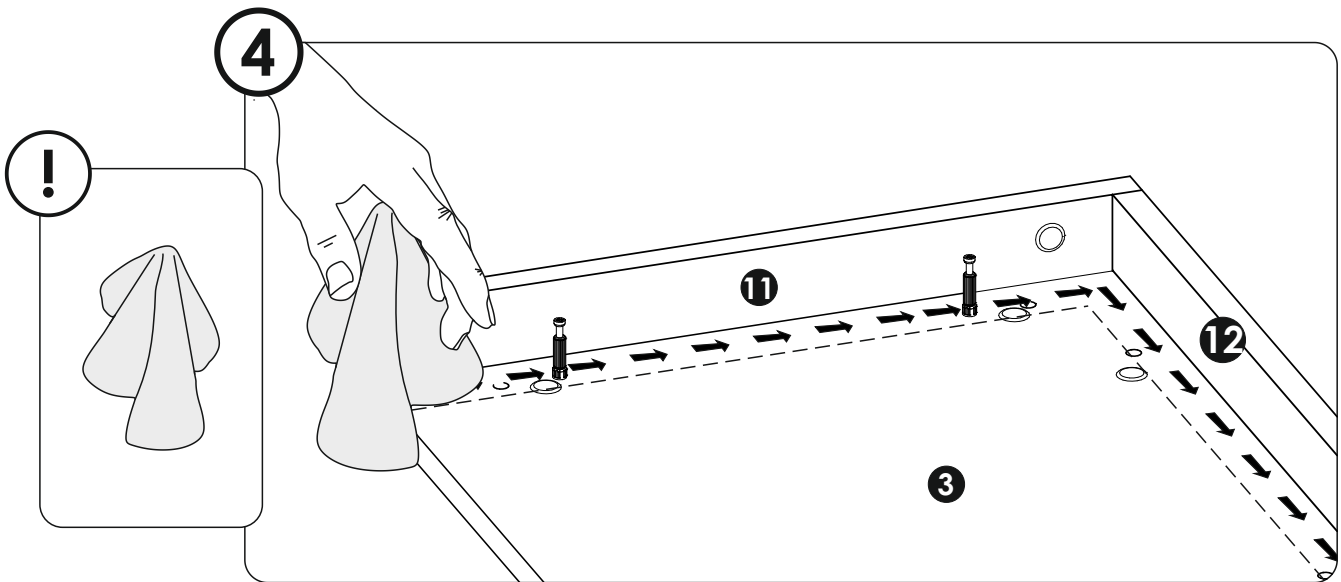
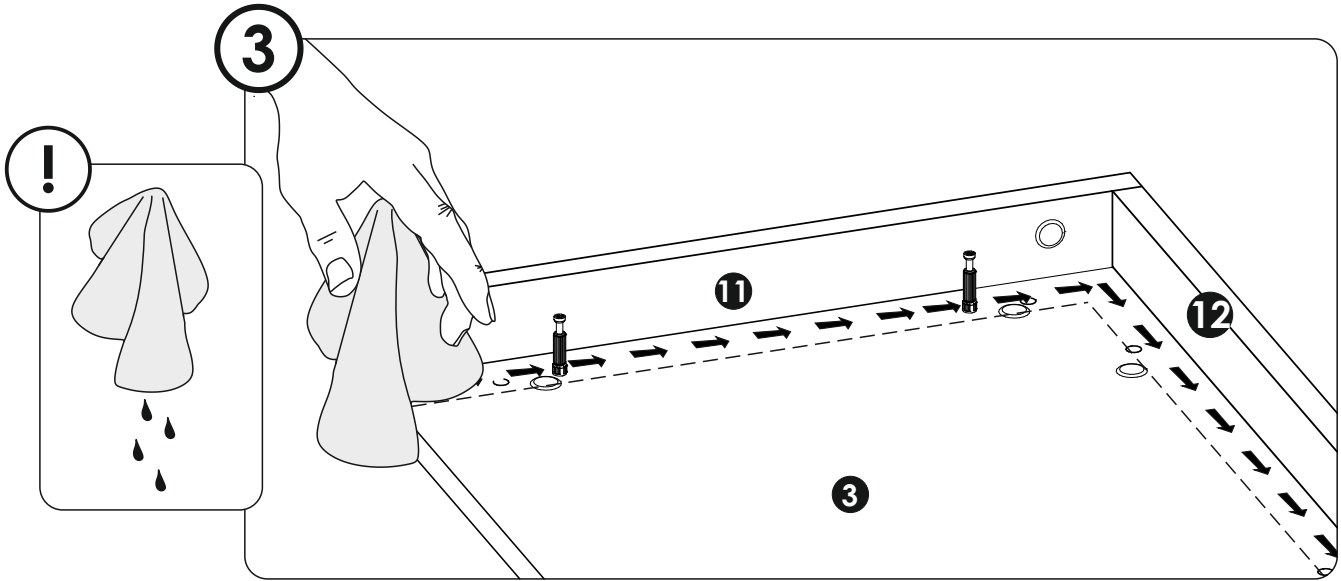
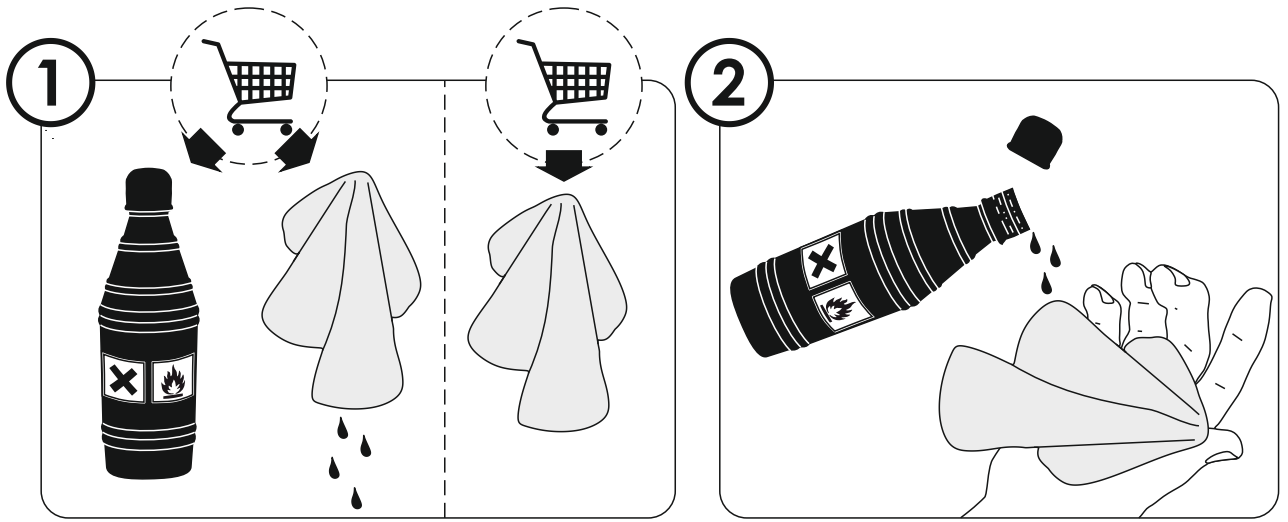
22 ▶

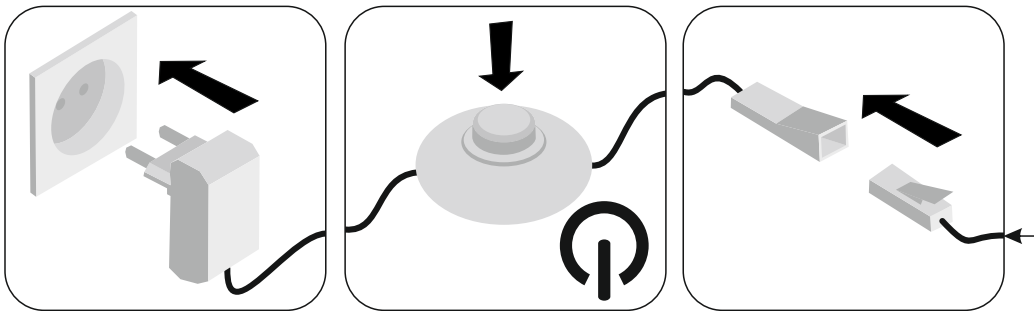
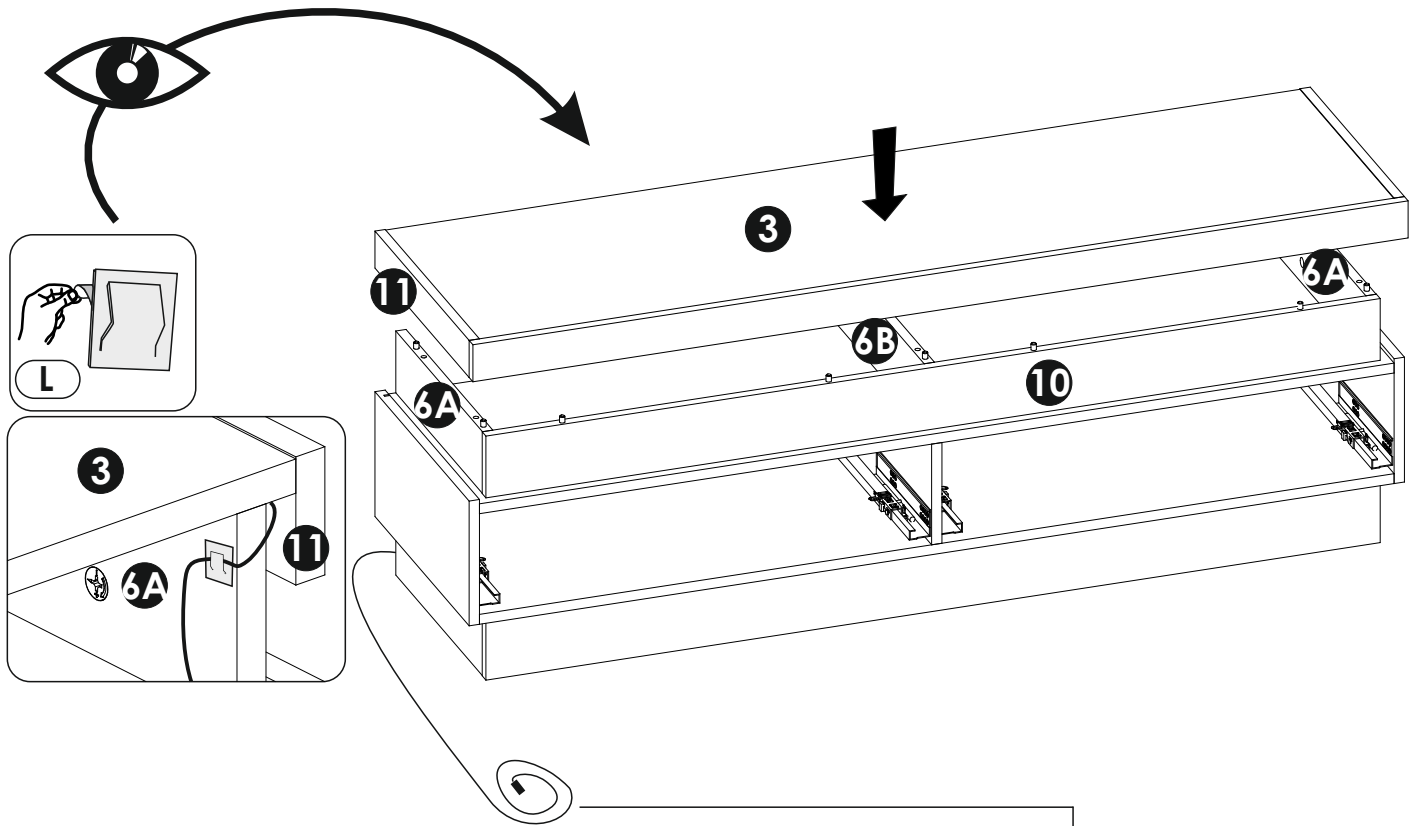


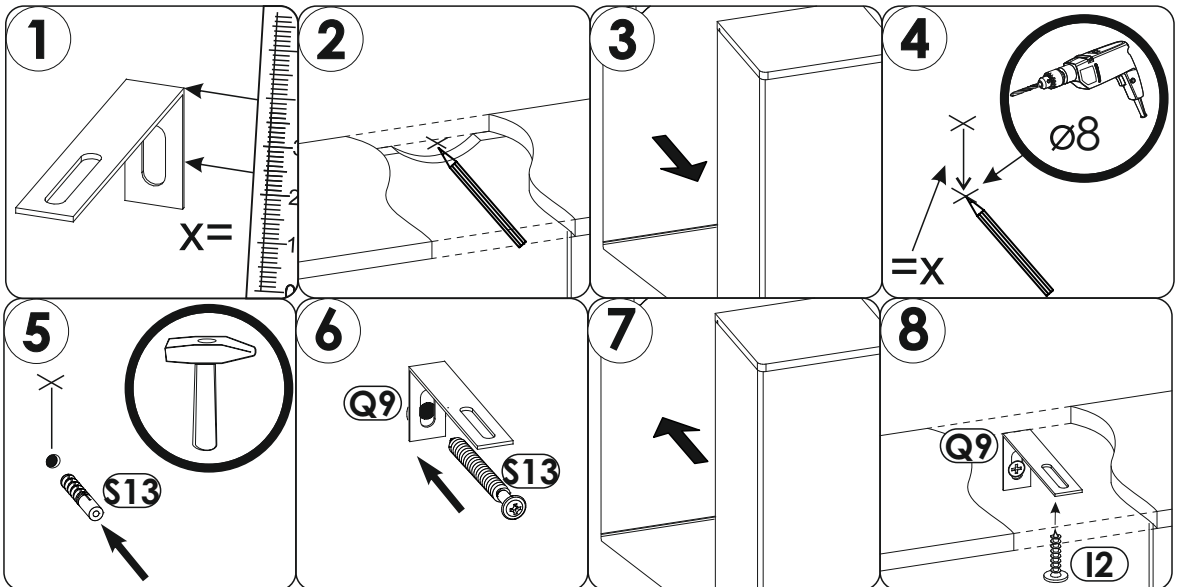
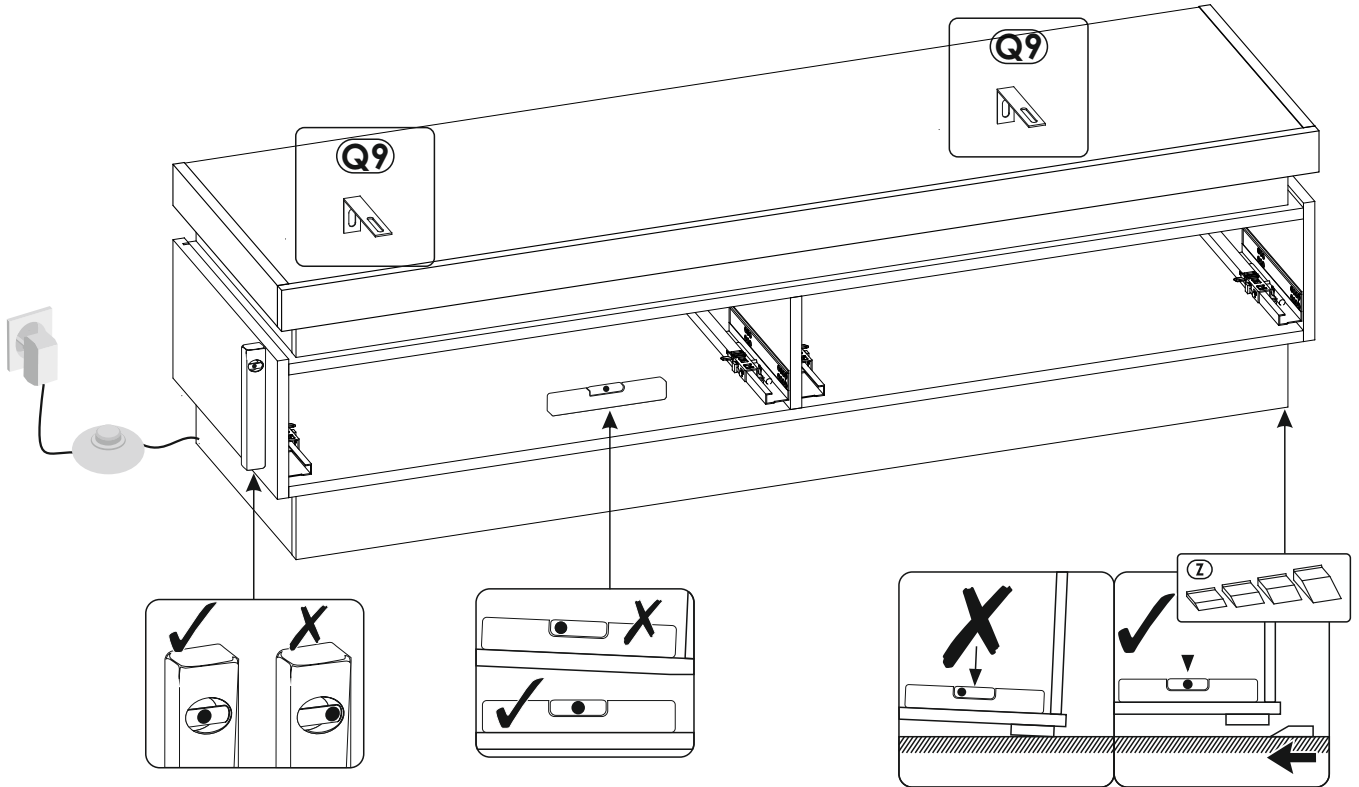
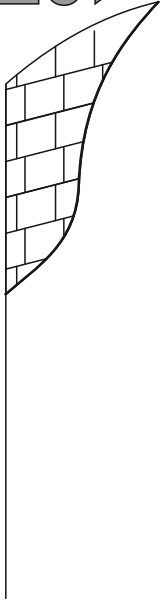
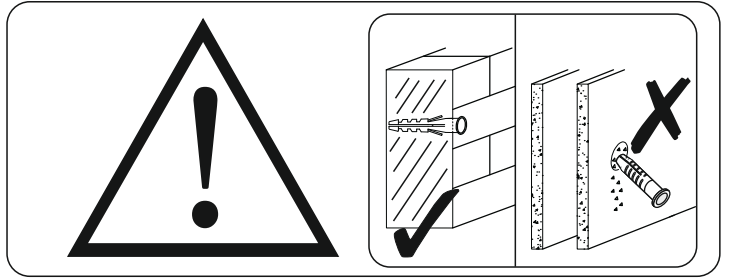
23 ▶



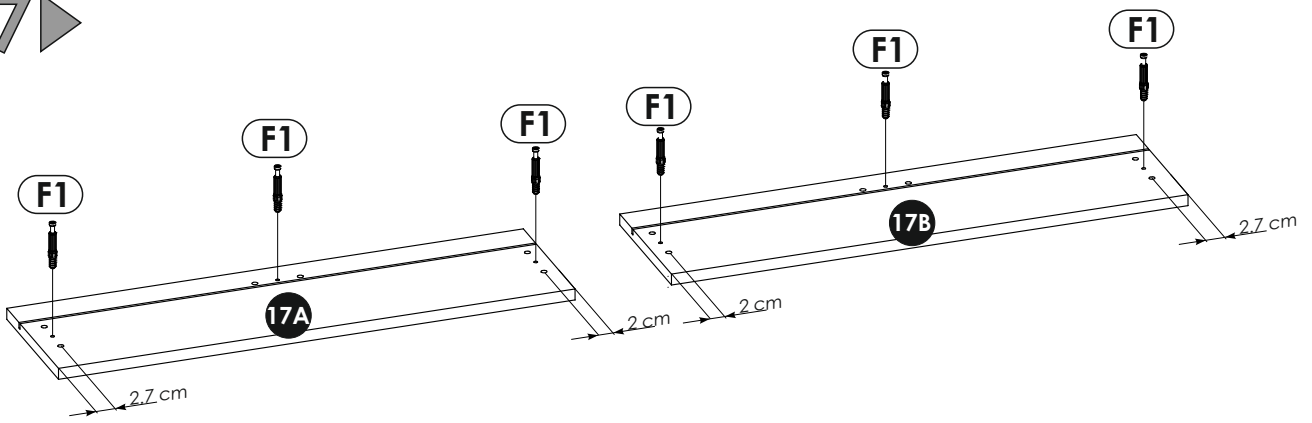
24 ▶



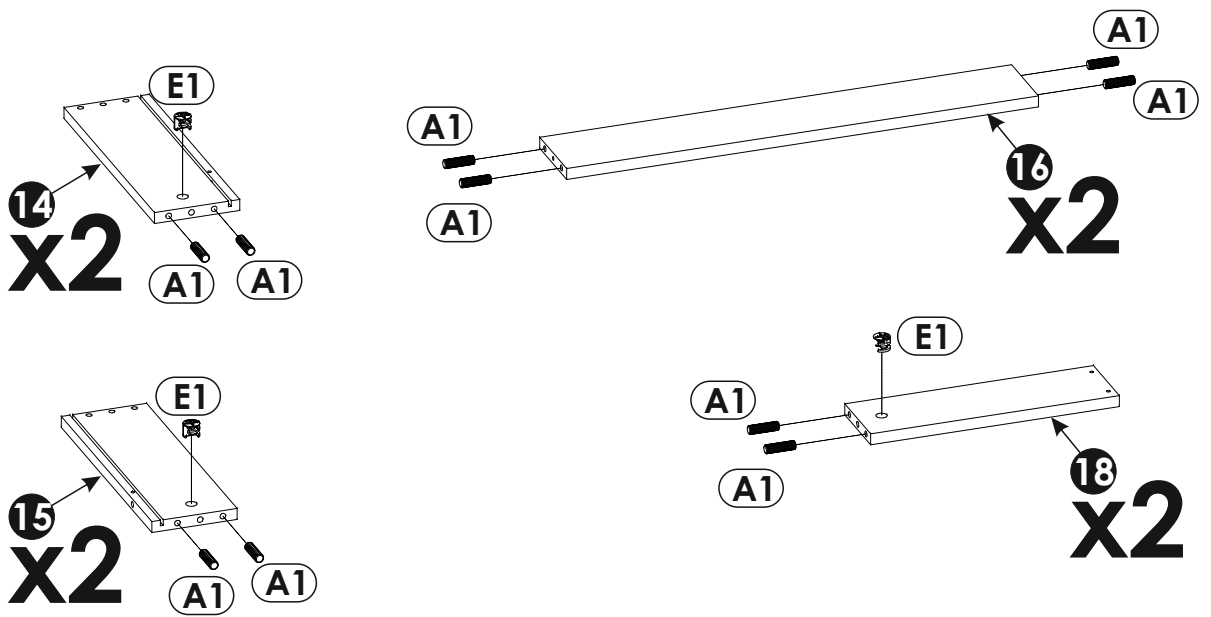




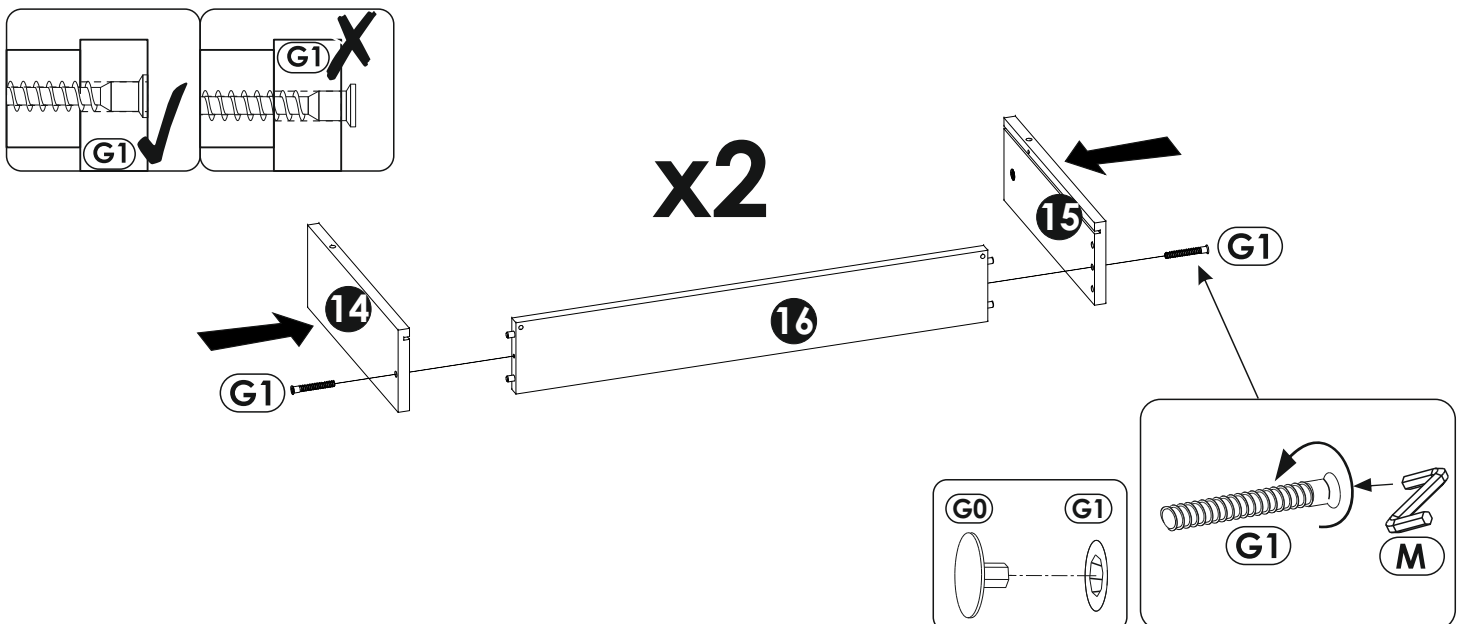
27▶



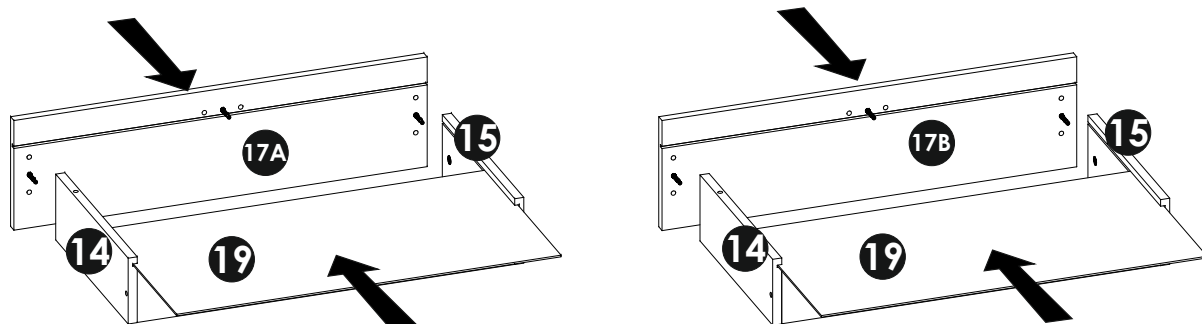
28▶



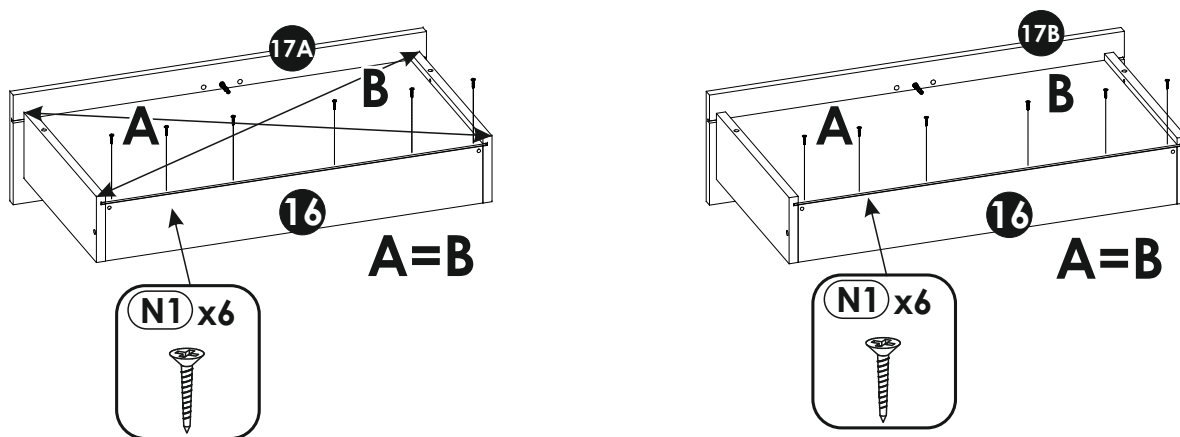
29▶



30 ▶



31 ▶



32 ▶

