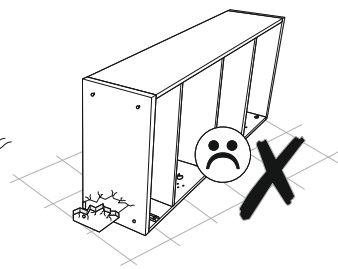
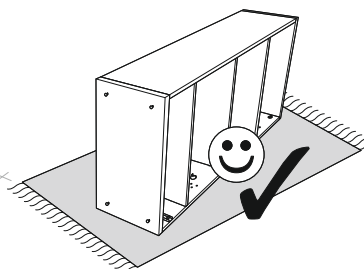
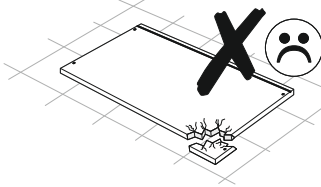
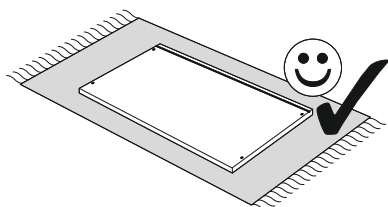
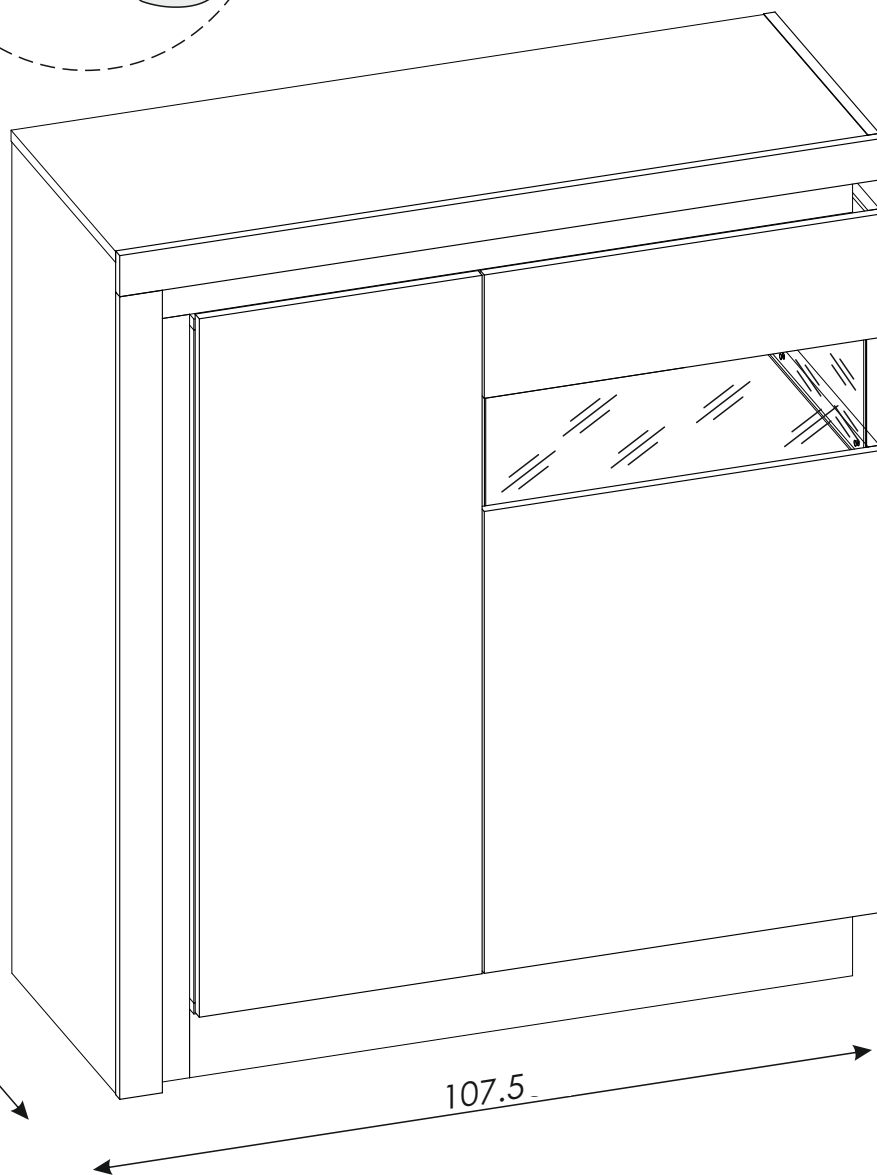
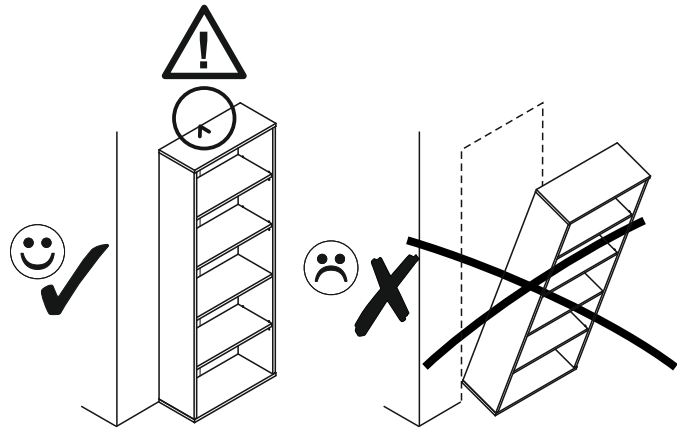


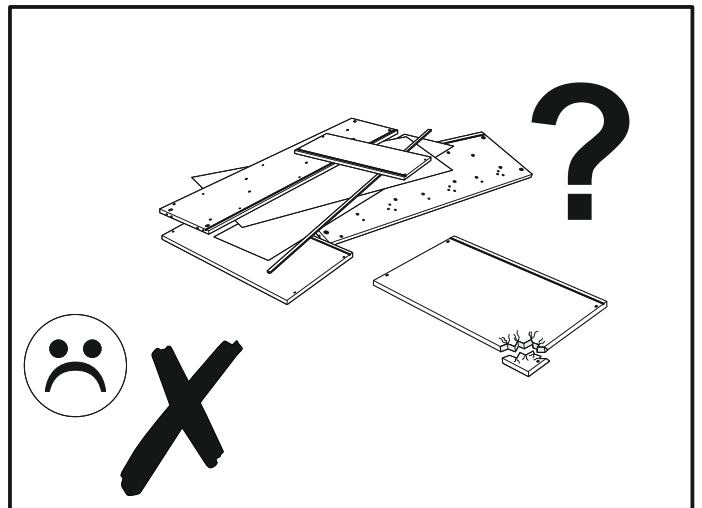
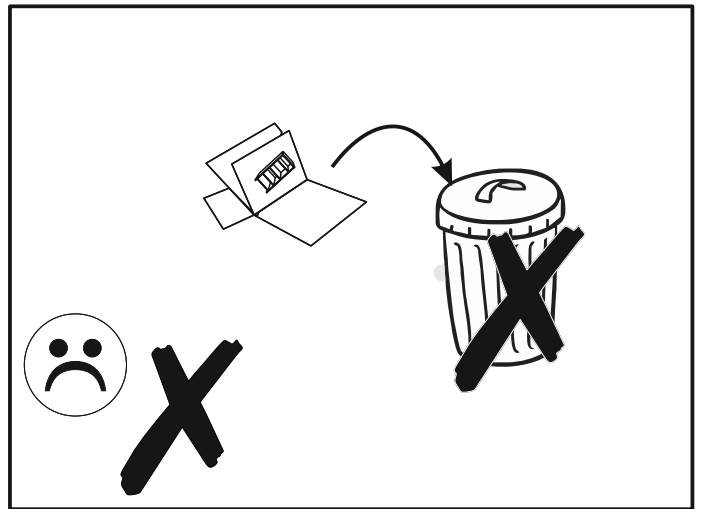
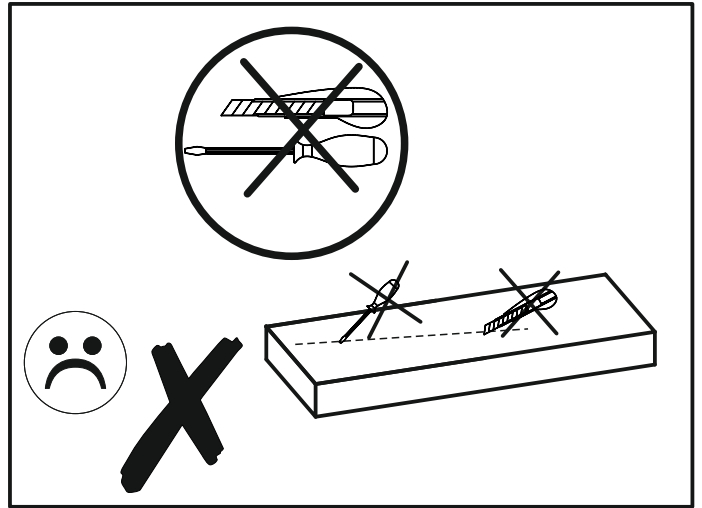
123.6

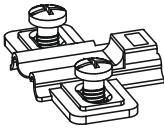
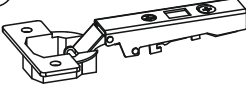
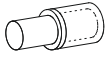
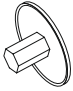
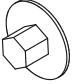
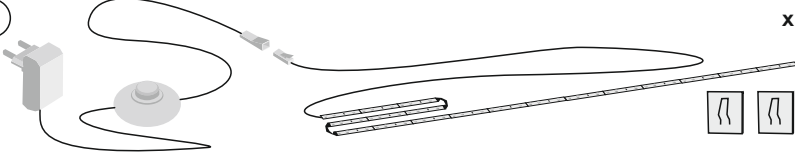
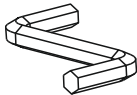
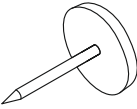
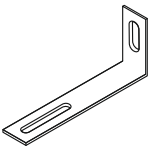
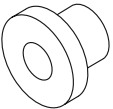
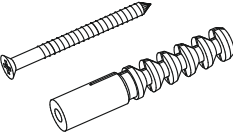
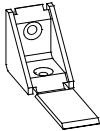
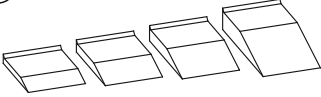
42

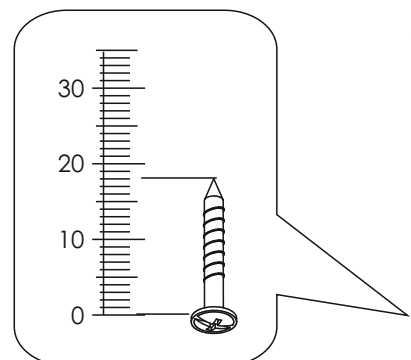
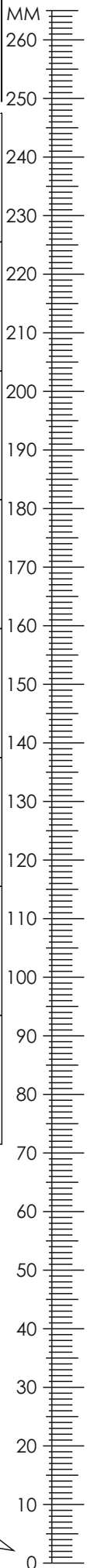
107.5

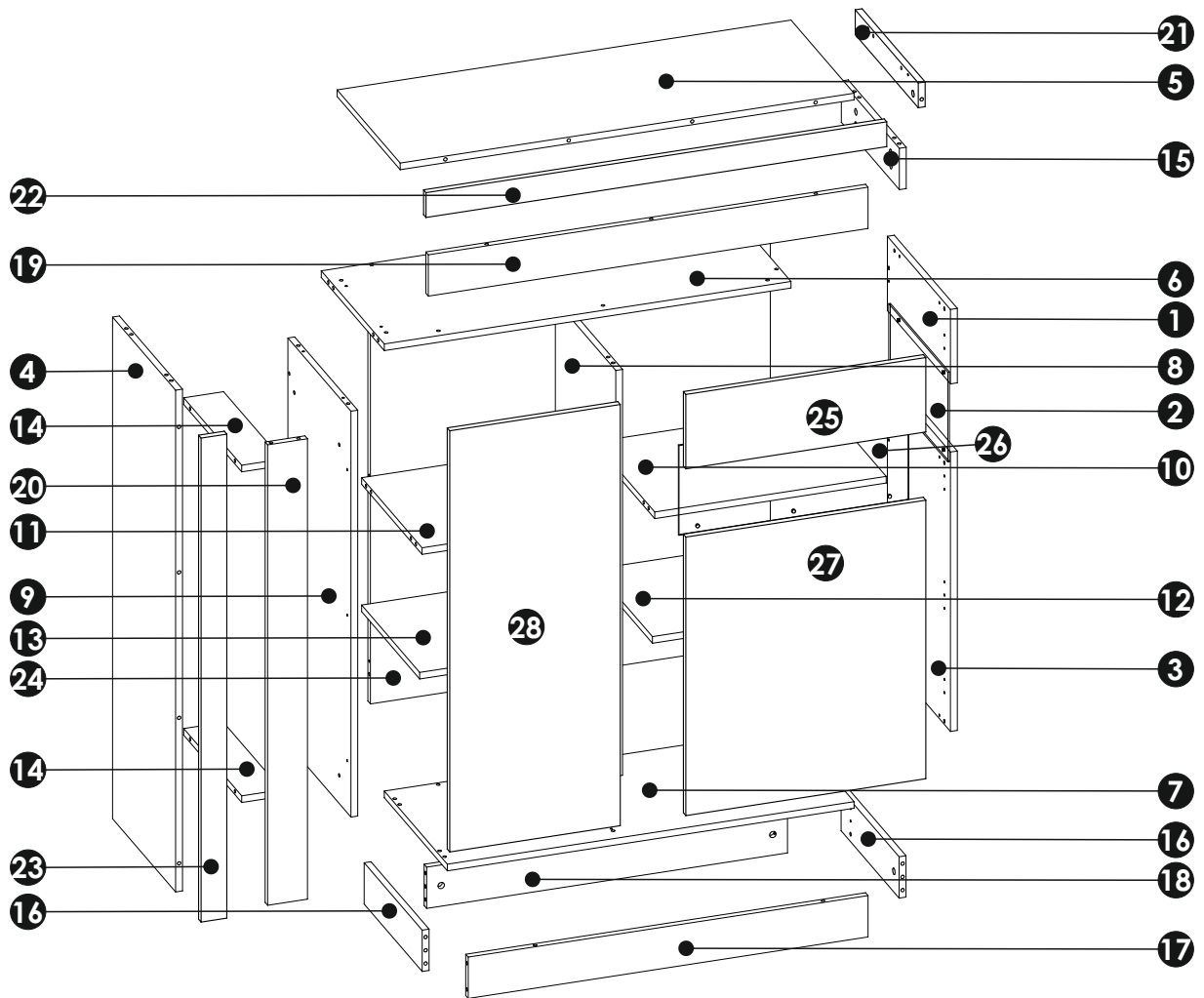






A1	8 x 35 mm	x51	A2	8 x 45 mm	x2	A3	8 x 60 mm	x2
B0		x5	BC11		x5	C1	4 x 13 mm	x10
D2		x8	E0		x41	E1	15 x 12 mm	x54
F1	6 x 34 mm	x46	F3	7 x 58 mm	x2	F4	7 x 76 mm	x2
G0		x17	G1	7 x 50 mm	x17	I2	4 x 16 mm	x12
L		x1	M		x1			
N2	3,5 X 16 mm	x16	O2		x6	Q9		x2
R3		x10	S13		x2	W		x8
Z		x1						





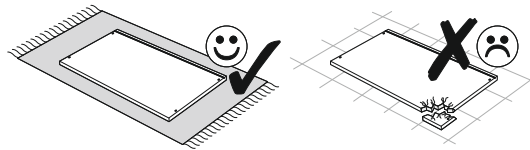
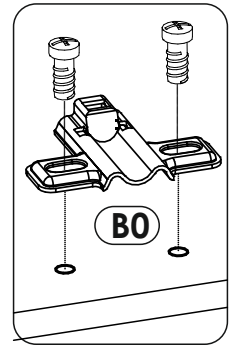
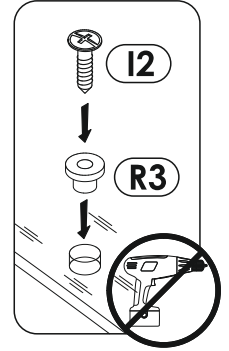
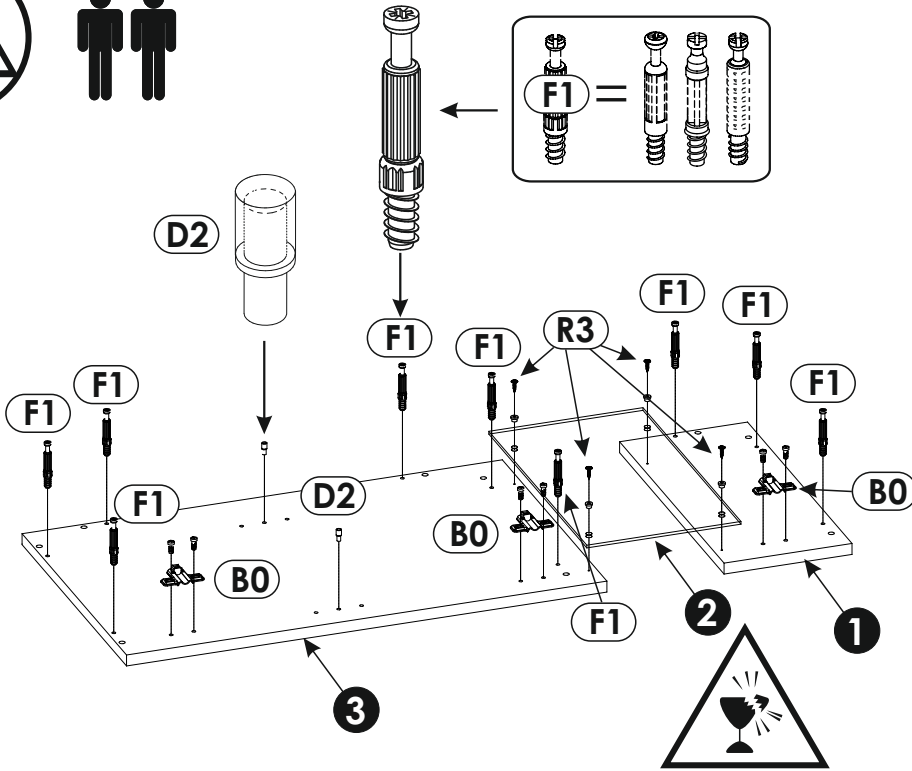
1	180	404	16	x1	1/3
2	379	217	4	x1	1/3
3	676	404	16	x1	1/3
4	1214	404	16	x1	1/3
5	1059	404	16	x1	1/3
6	949	404	16	x1	2/3
7	949	404	16	x1	2/3
8	982	387	16	x1	2/3
9	982	404	16	x6	2/3
10	540	387	16	x1	1/3

11	377	387	16	x1	1/3
12	540	369	16	x1	1/3
13	377	369	16	x1	1/3
14	372	93	16	x2	1/3
15	372	100	16	x1	1/3
16	372	100	16	x2	1/3
17	933	100	16	x1	3/3
18	842	100	16	x1	3/3
19	1026	100	16	x1	3/3
20	1114	93	16	x1	3/3

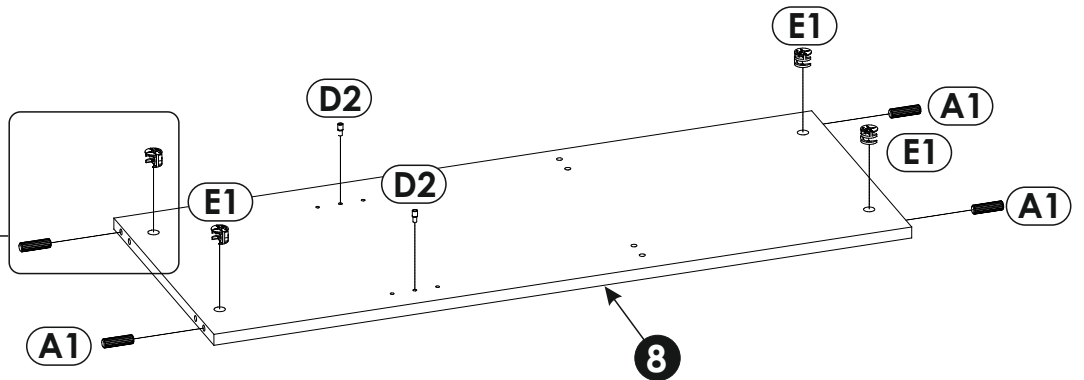
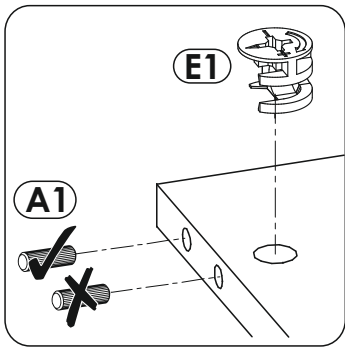
21	404	60	16	x1	1/3
22	1075	60	16	x1	3/3
23	1171	60	16	x1	3/3
24	982	933	16	x1	3/3
25	560	180	16	x1	3/3
26	536	217	4	x1	1/3
27	560	674	16	x1	3/3
28	1019	398	16	x1	3/3



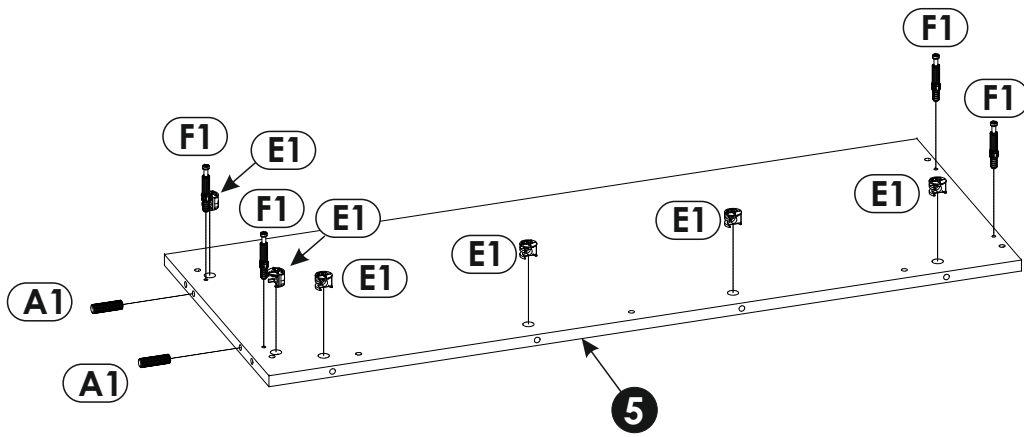
1 ▶



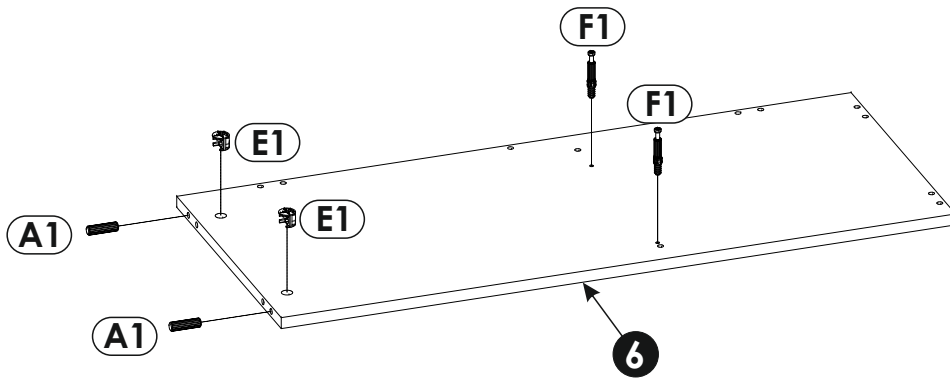
2 ▶



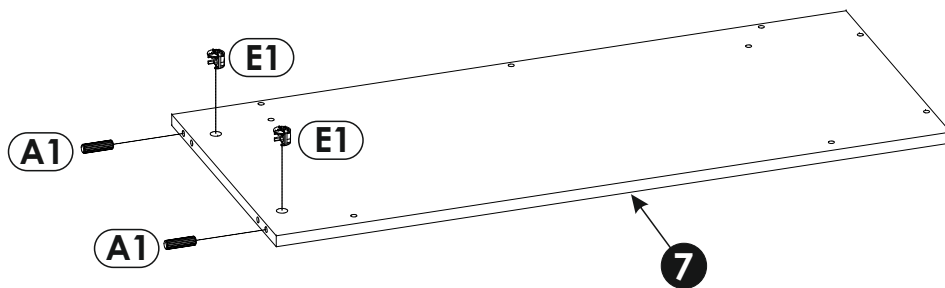
3 ▶



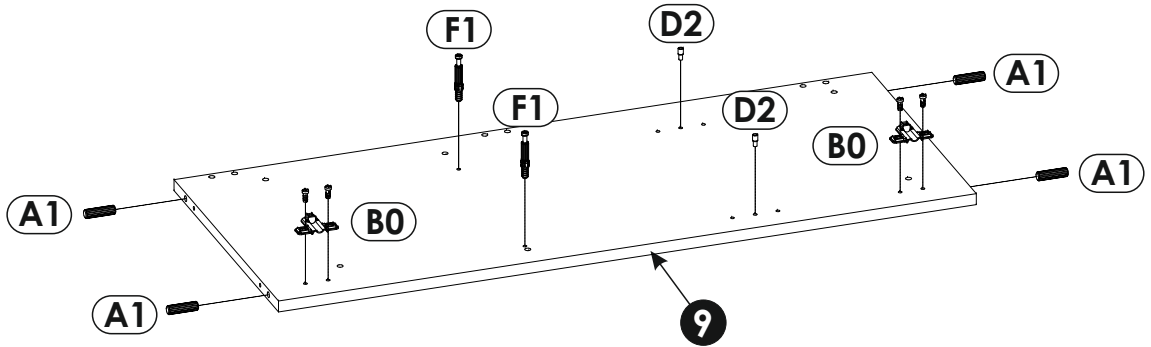
4 ▶



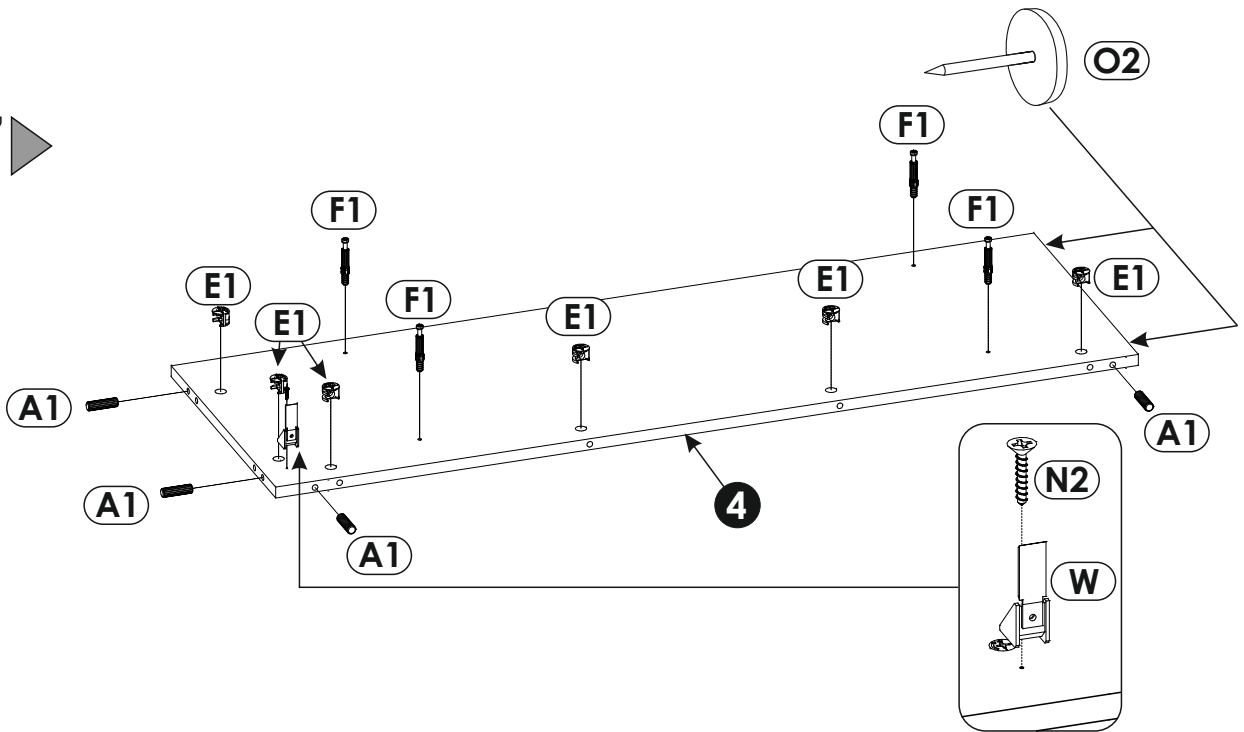
5 ▶



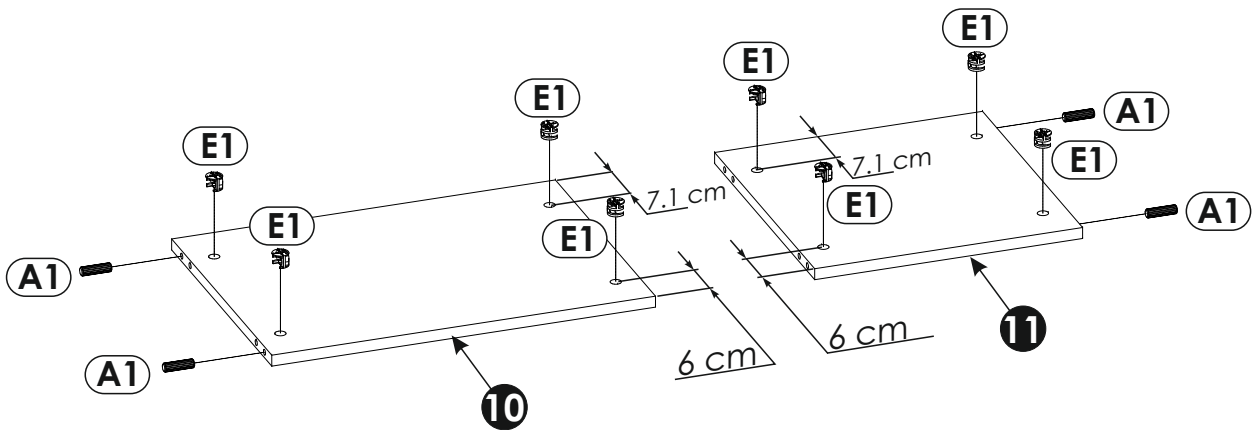
6 ▶



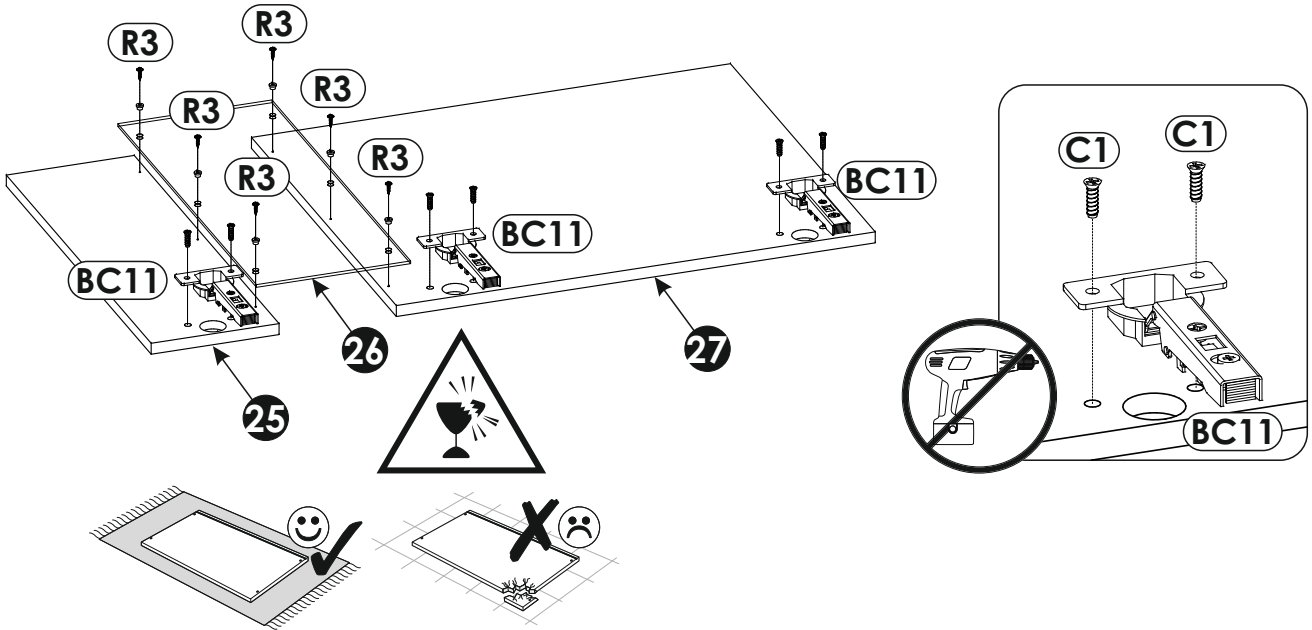
7 ▶



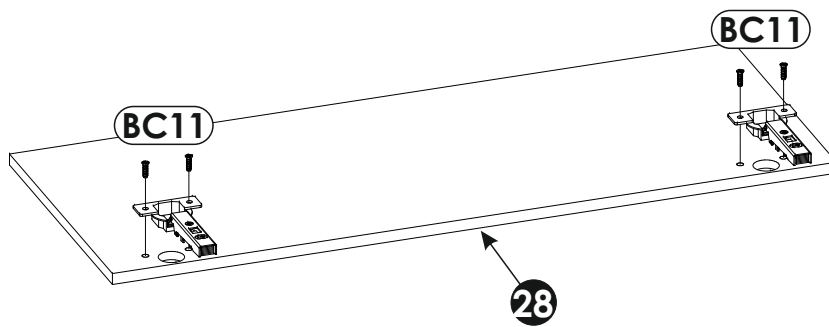
8 ▶



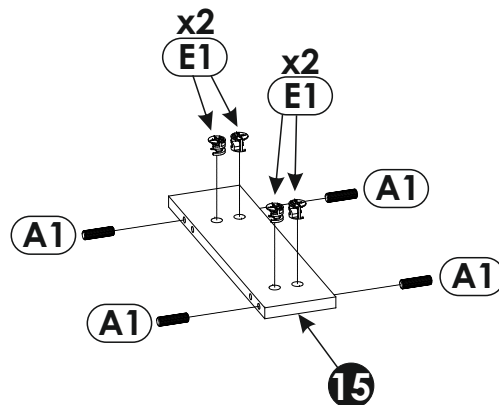
9 ▶



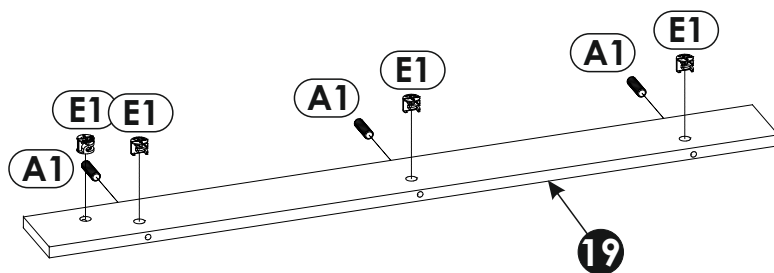
10 ▶



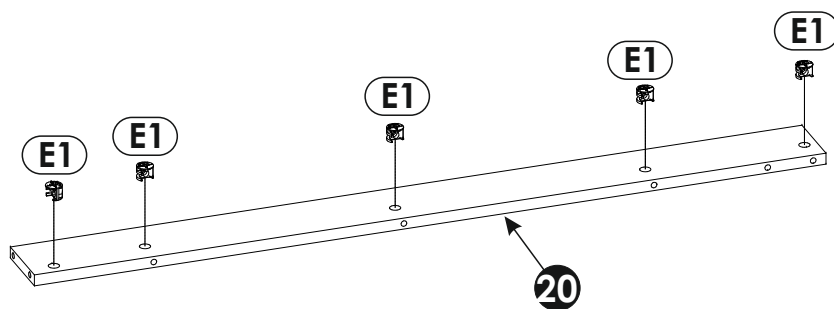
11 ▶



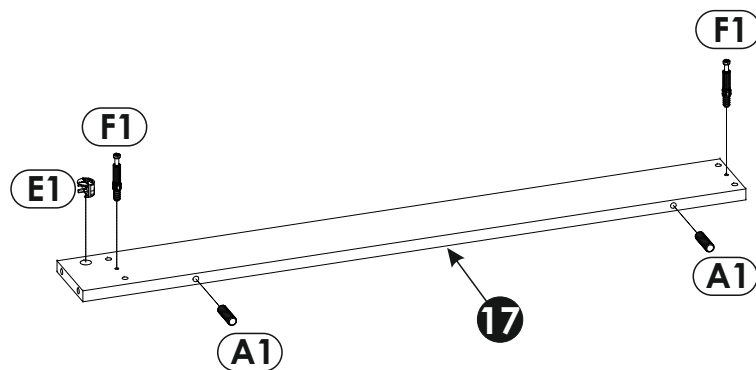
12▶



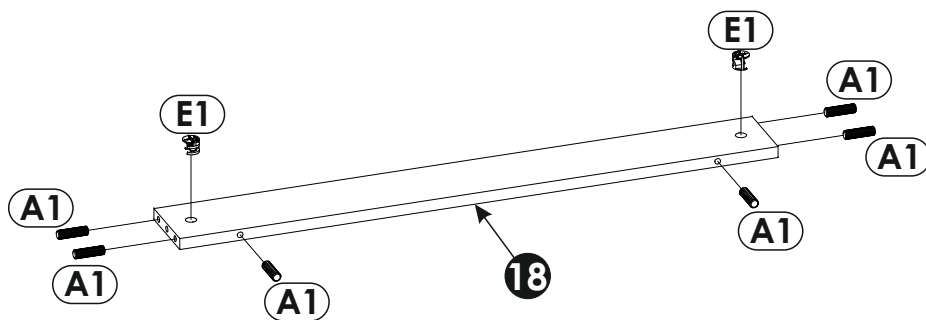
13▶



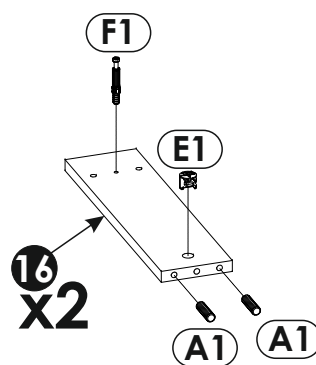
14▶



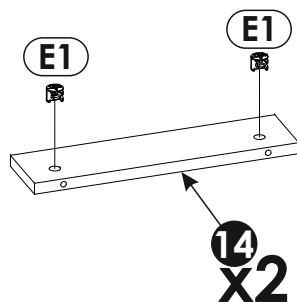
15▶



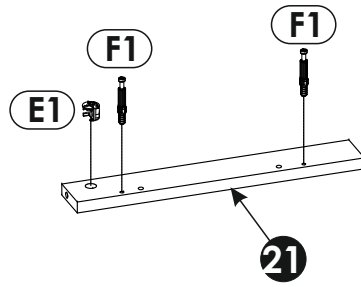
16▶



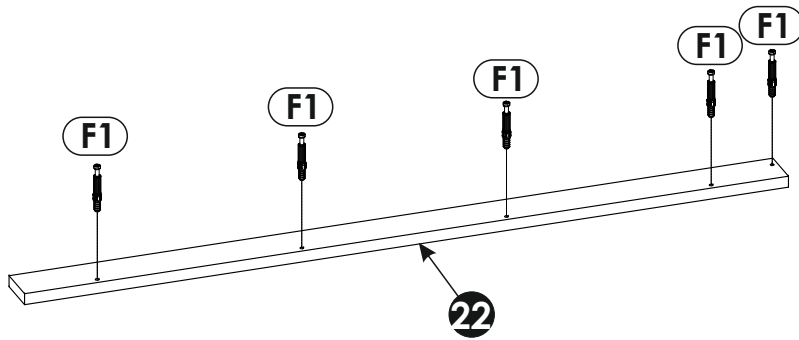
17▶



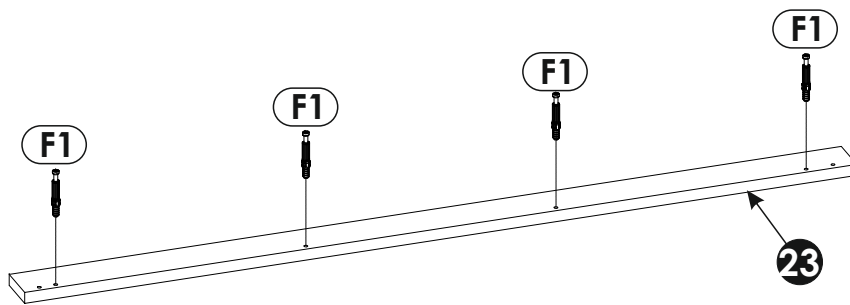
18▶



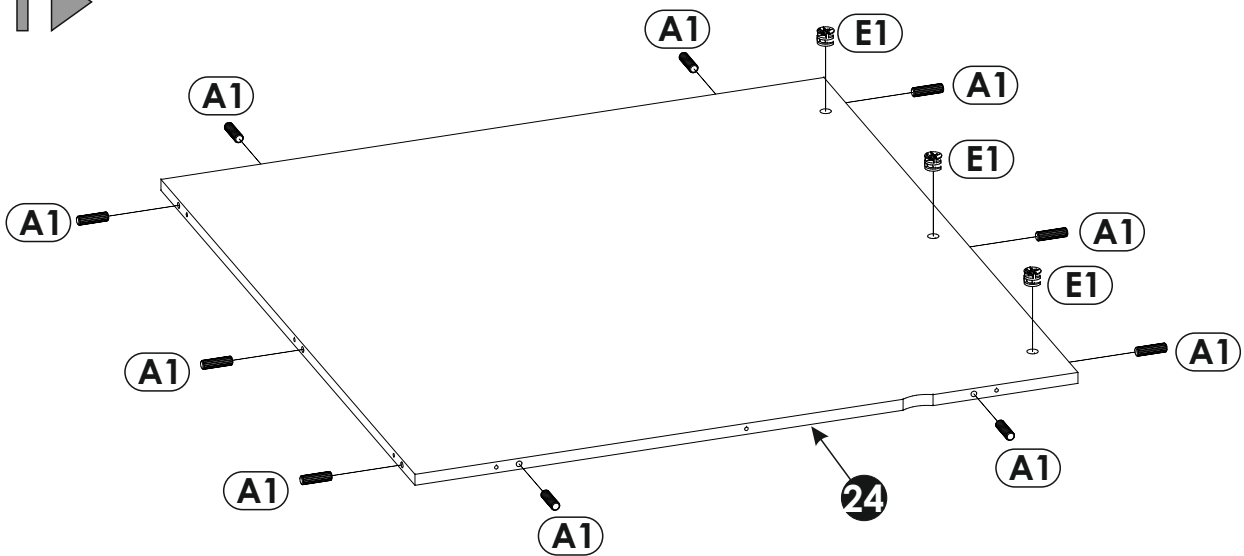
19▶



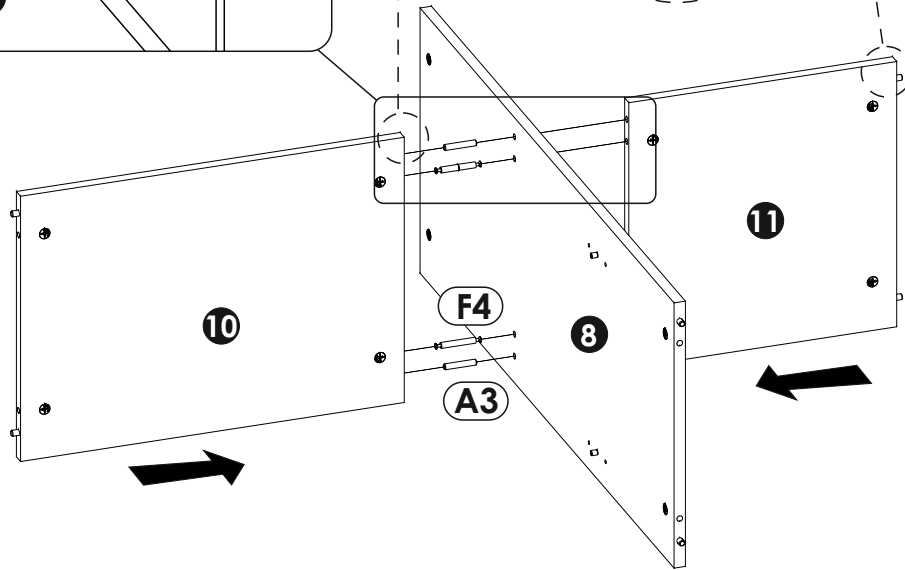
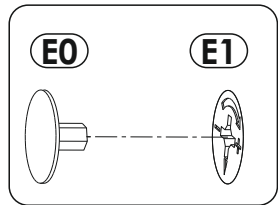
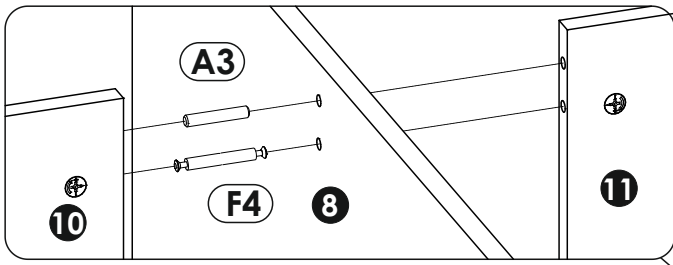
20▶



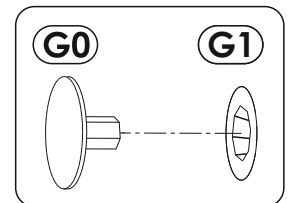
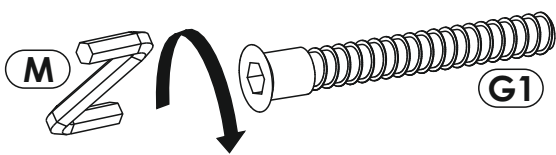
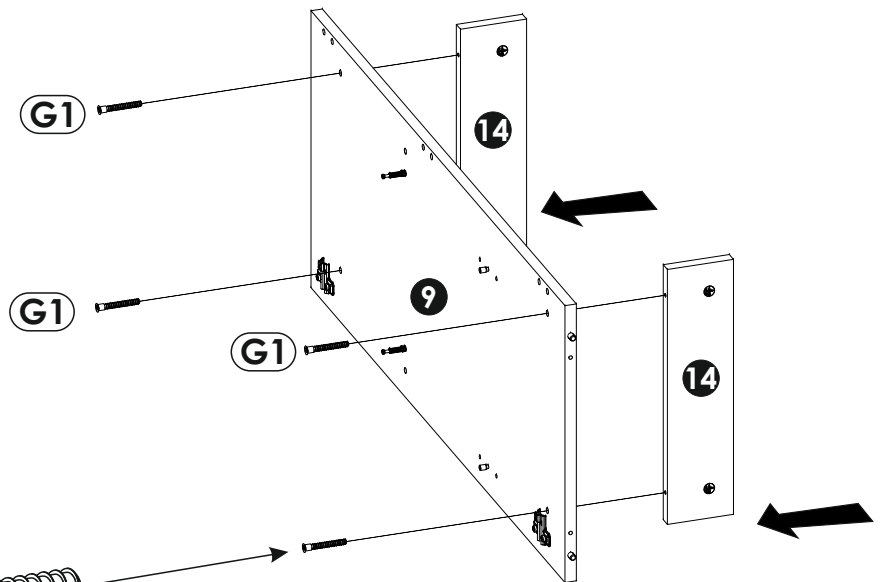
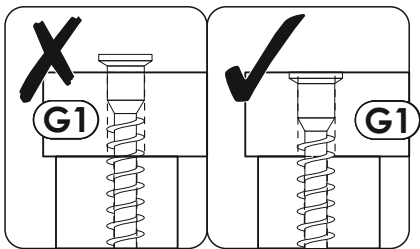
21▶



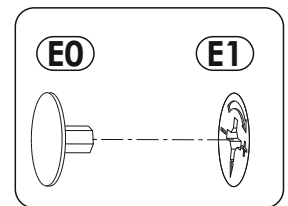
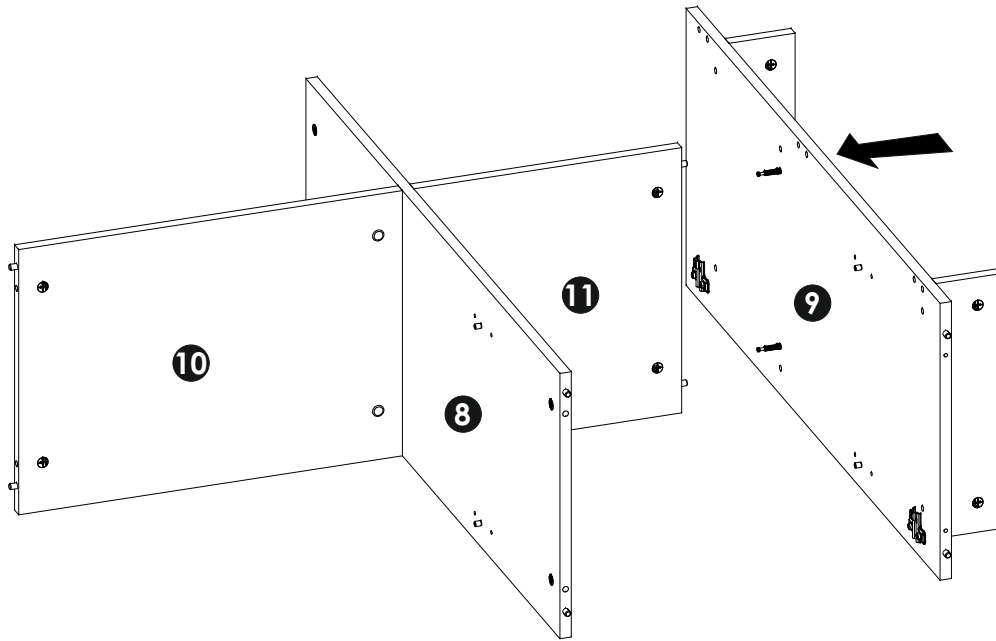
22 ▶



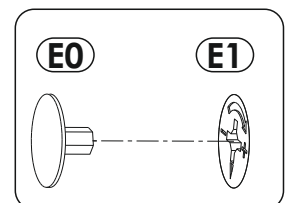
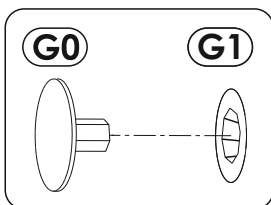
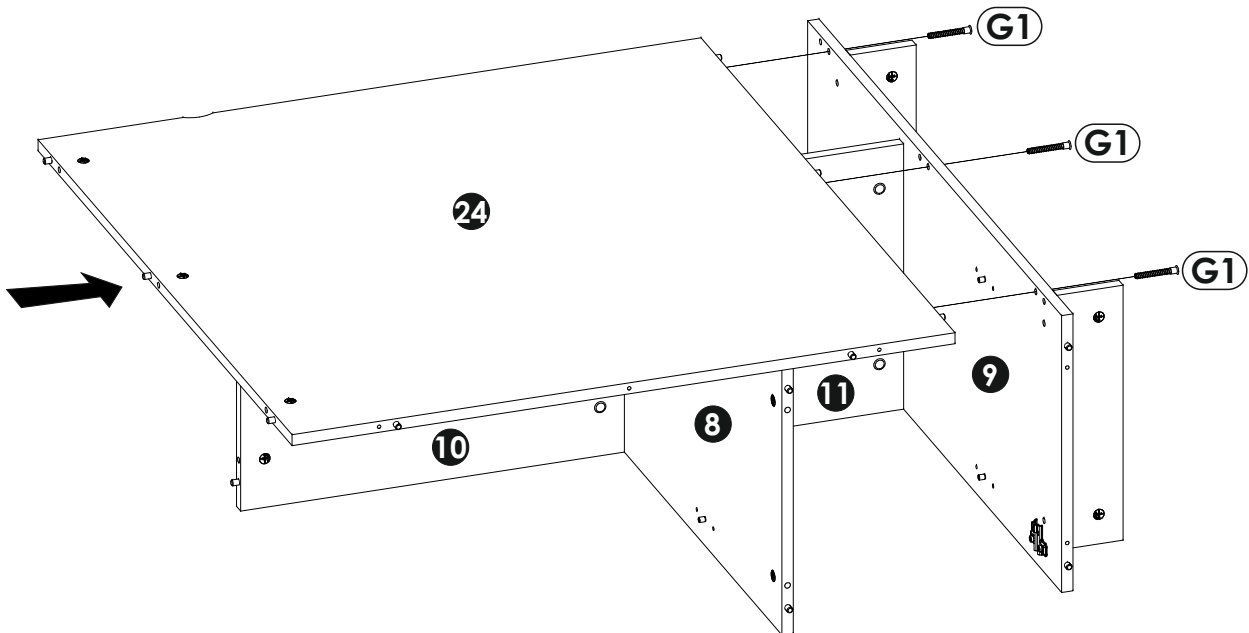
23 ▶



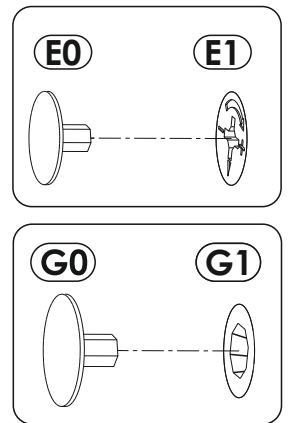
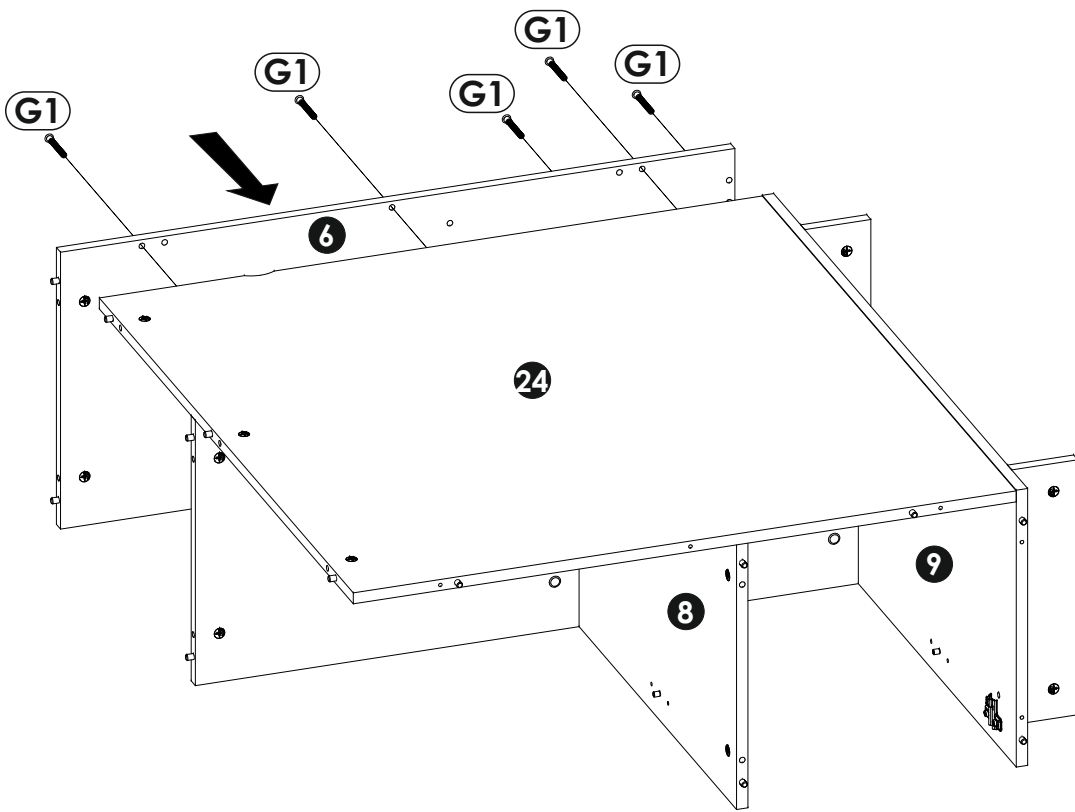
24 ▶



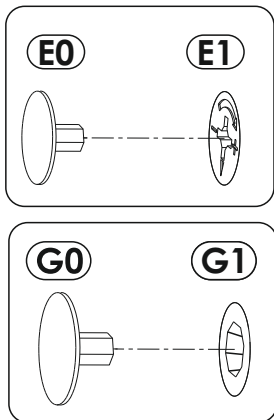
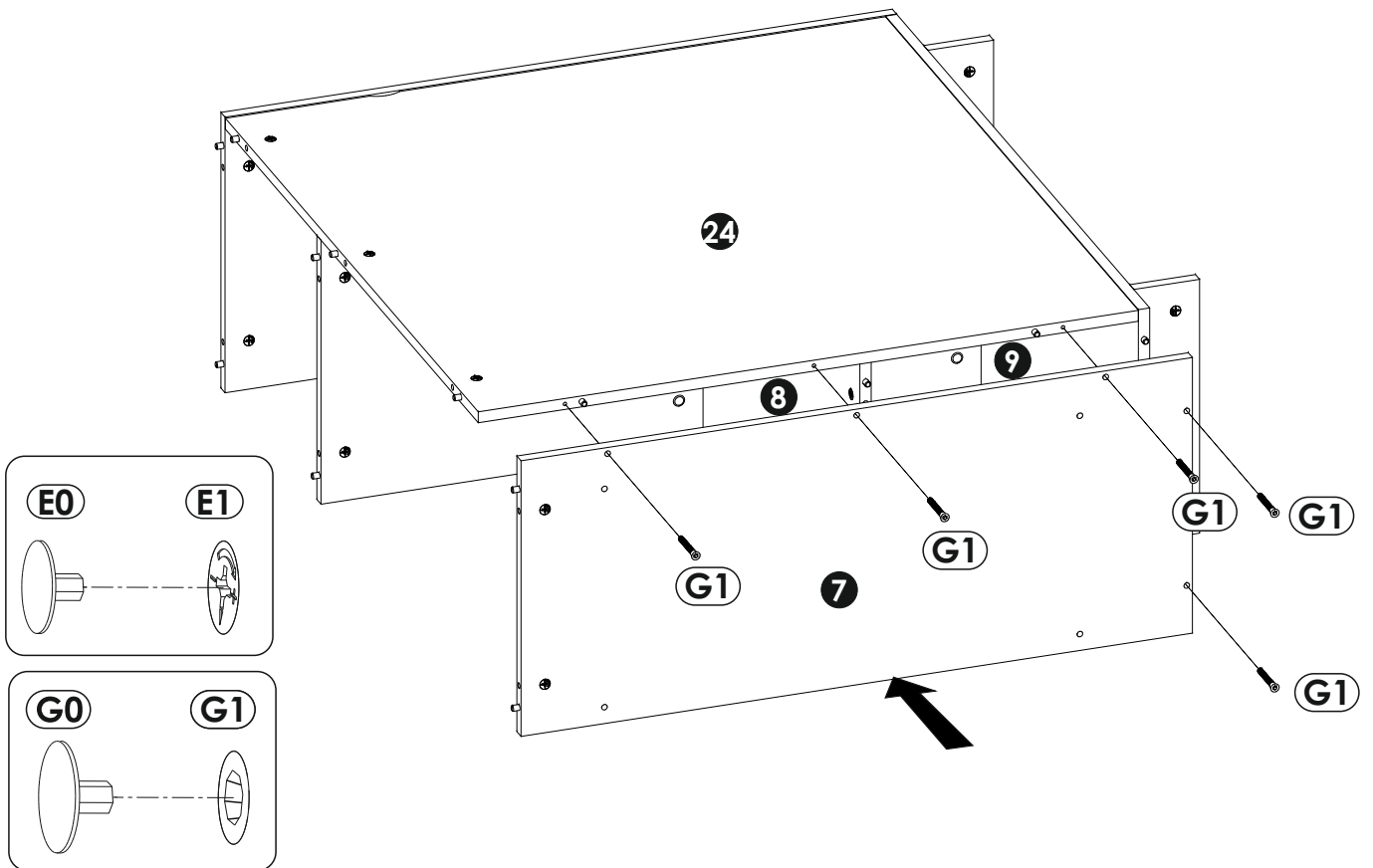
25 ▶



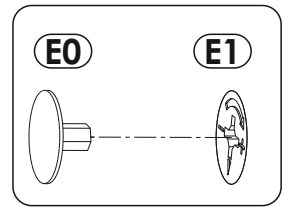
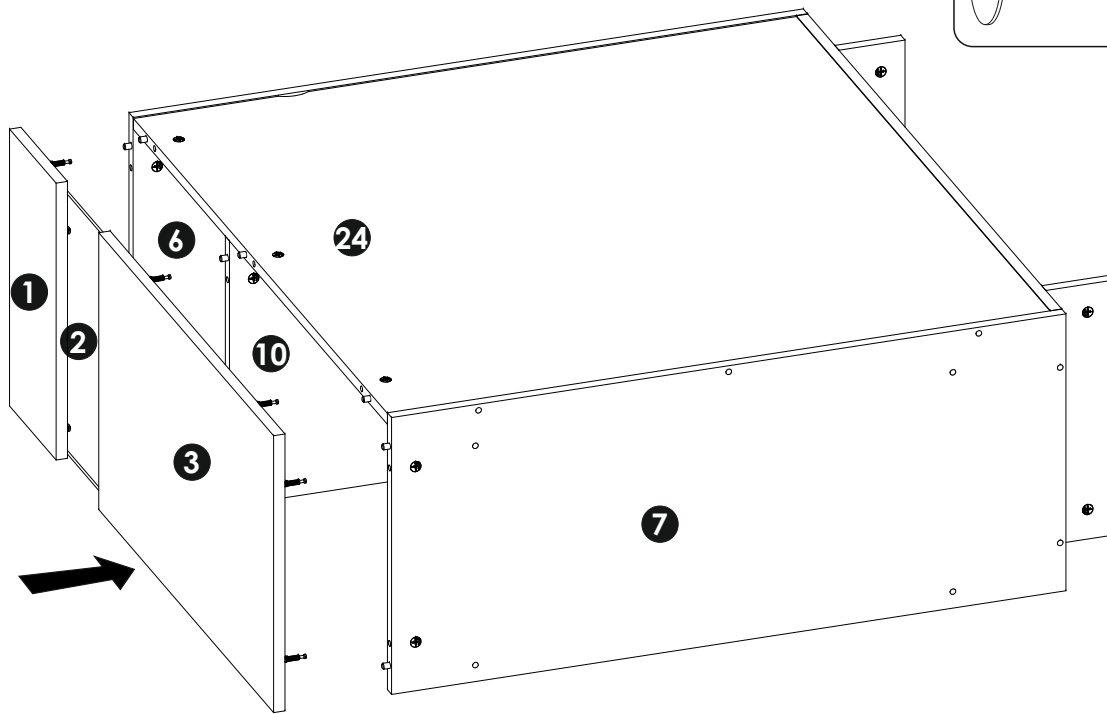
26 ▶



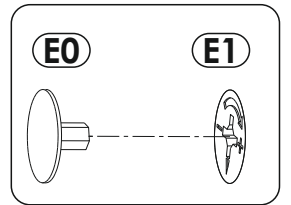
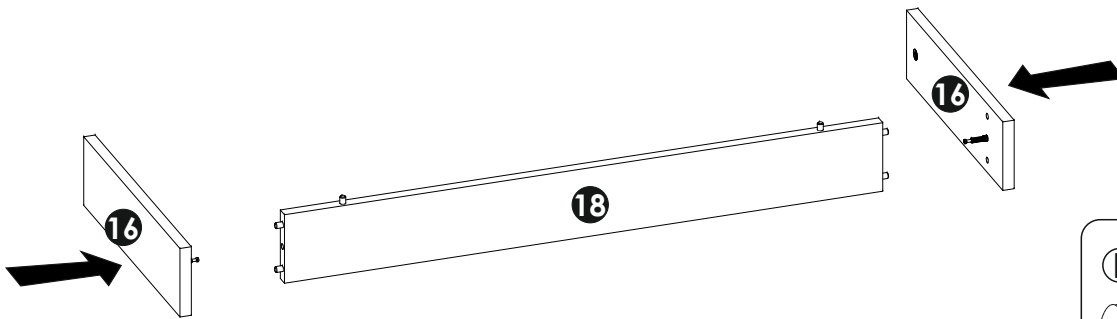
27 ▶



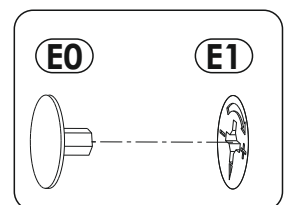
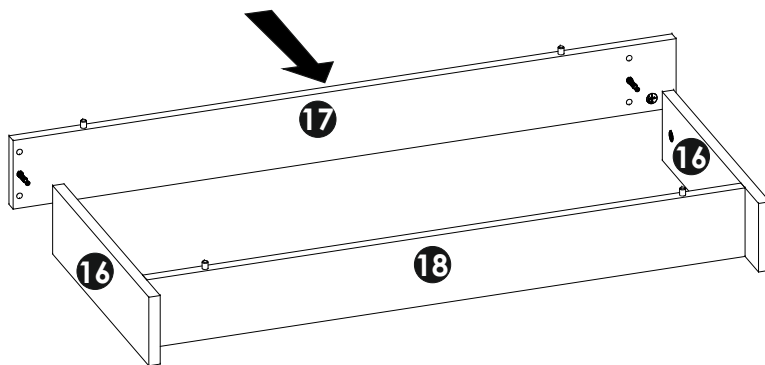
28 ▶



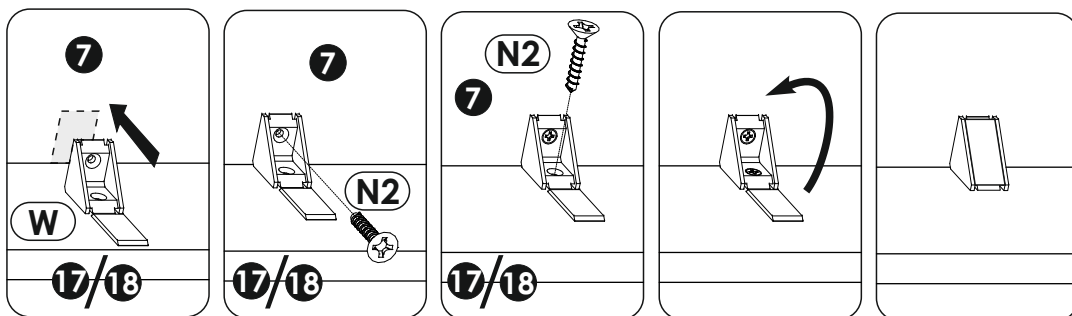
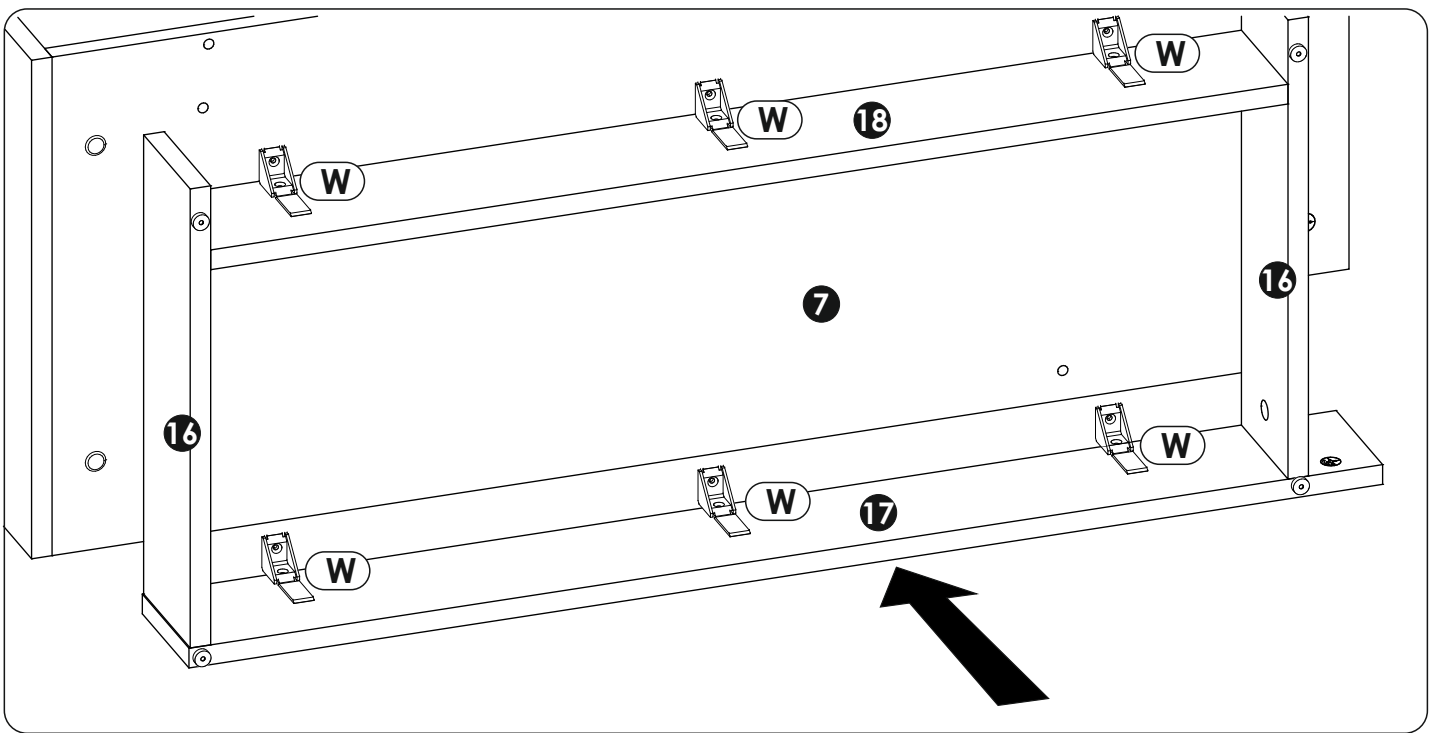
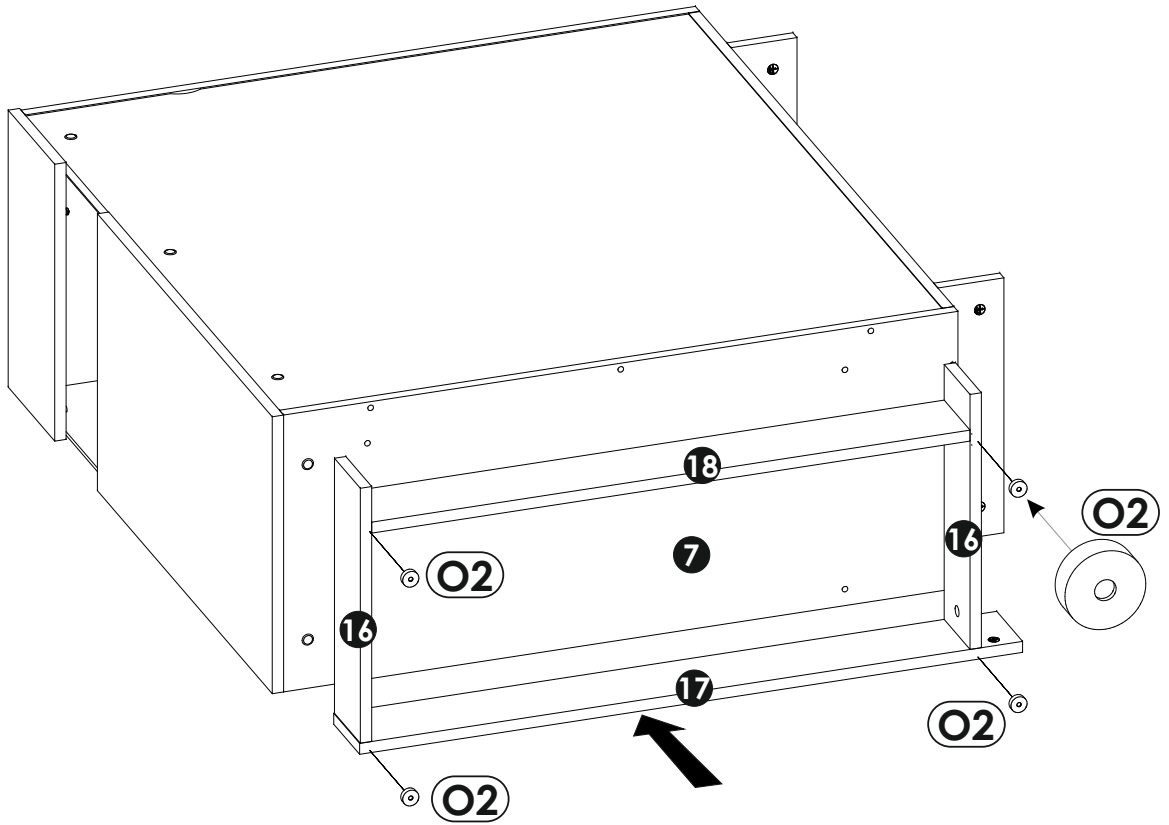
29 ▶



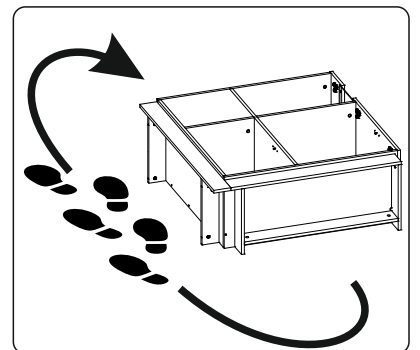
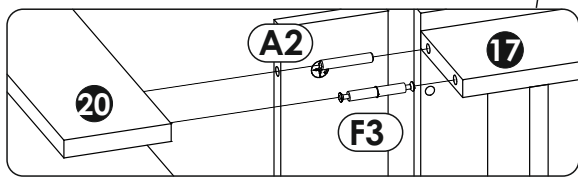
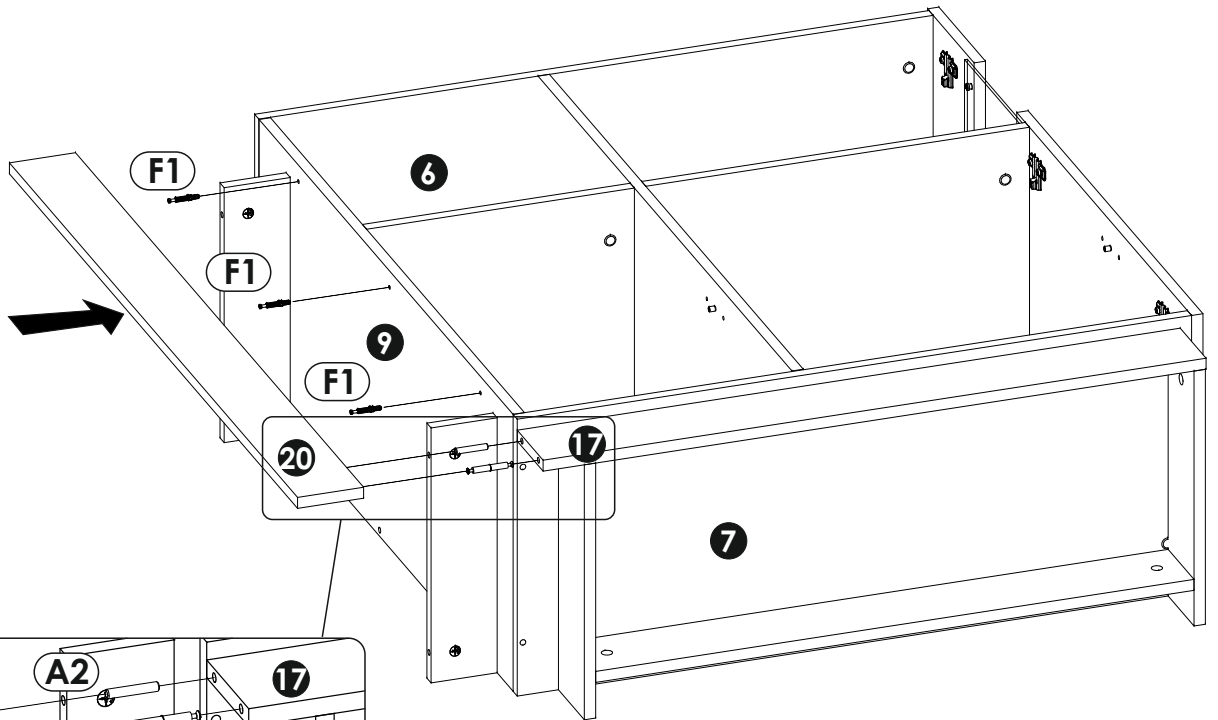
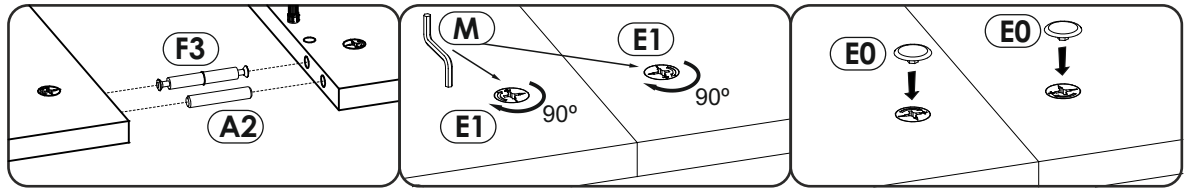
30 ▶



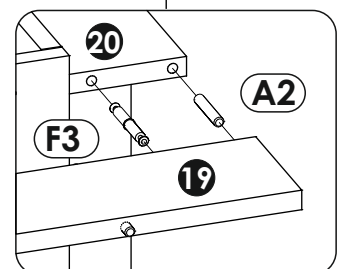
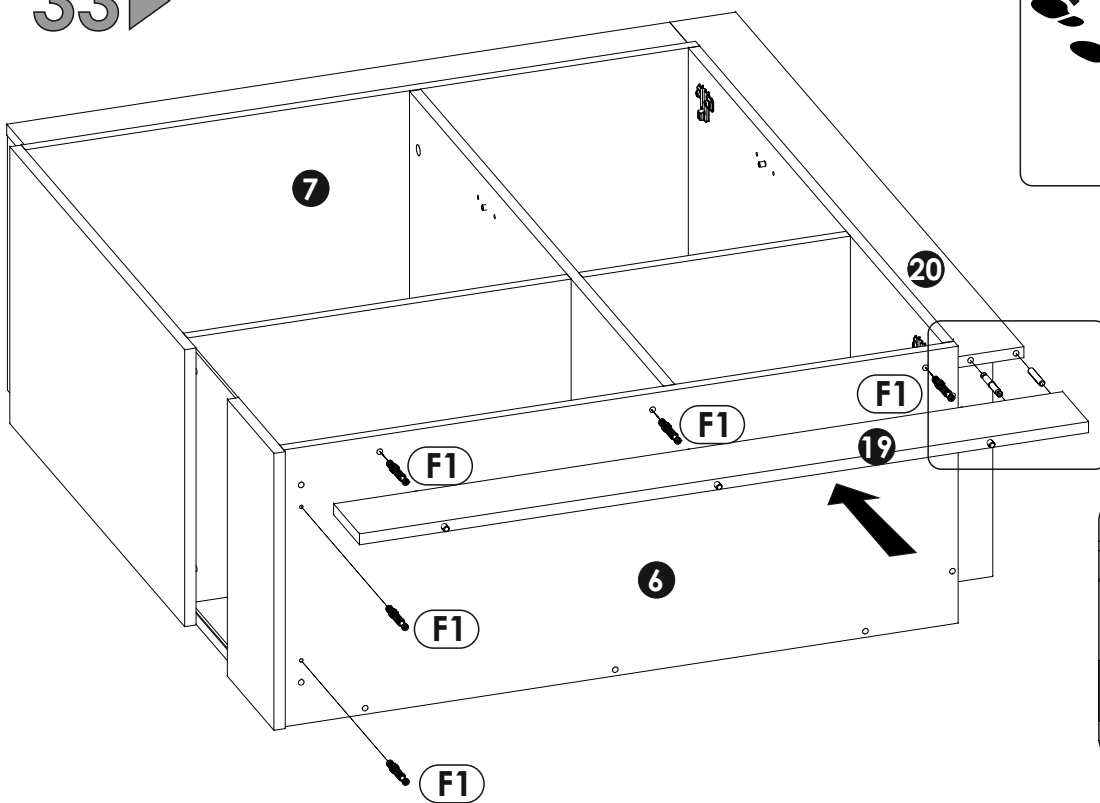
31 ▶



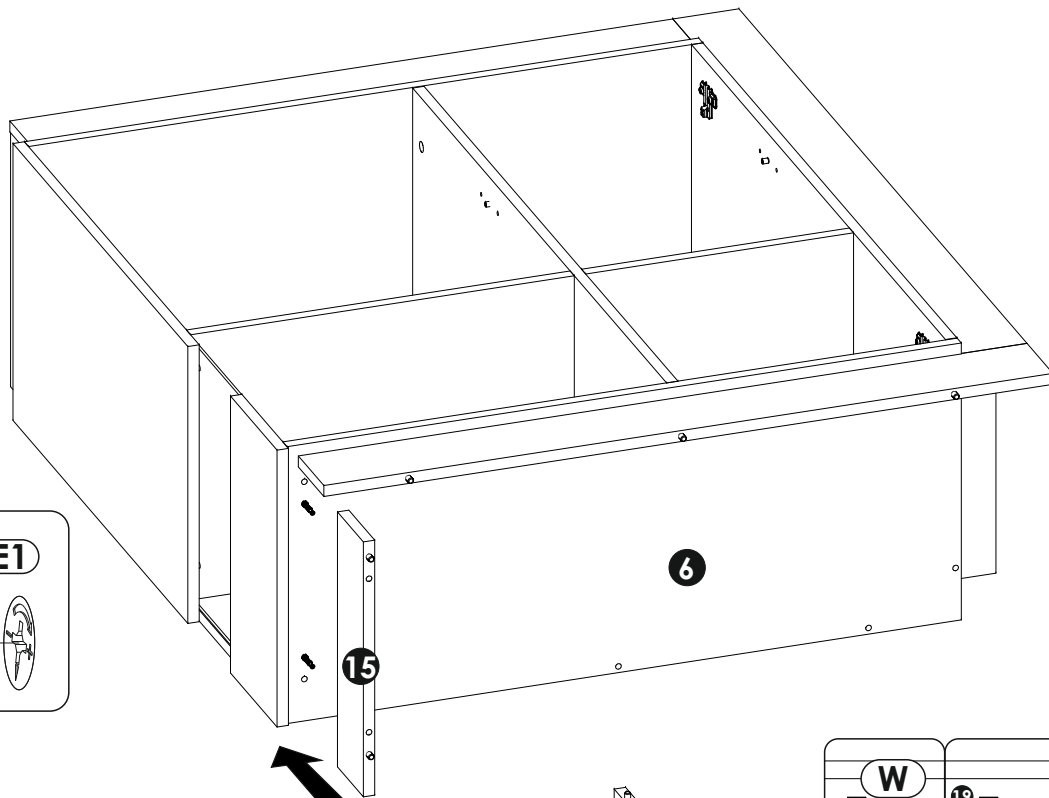
32 ▶



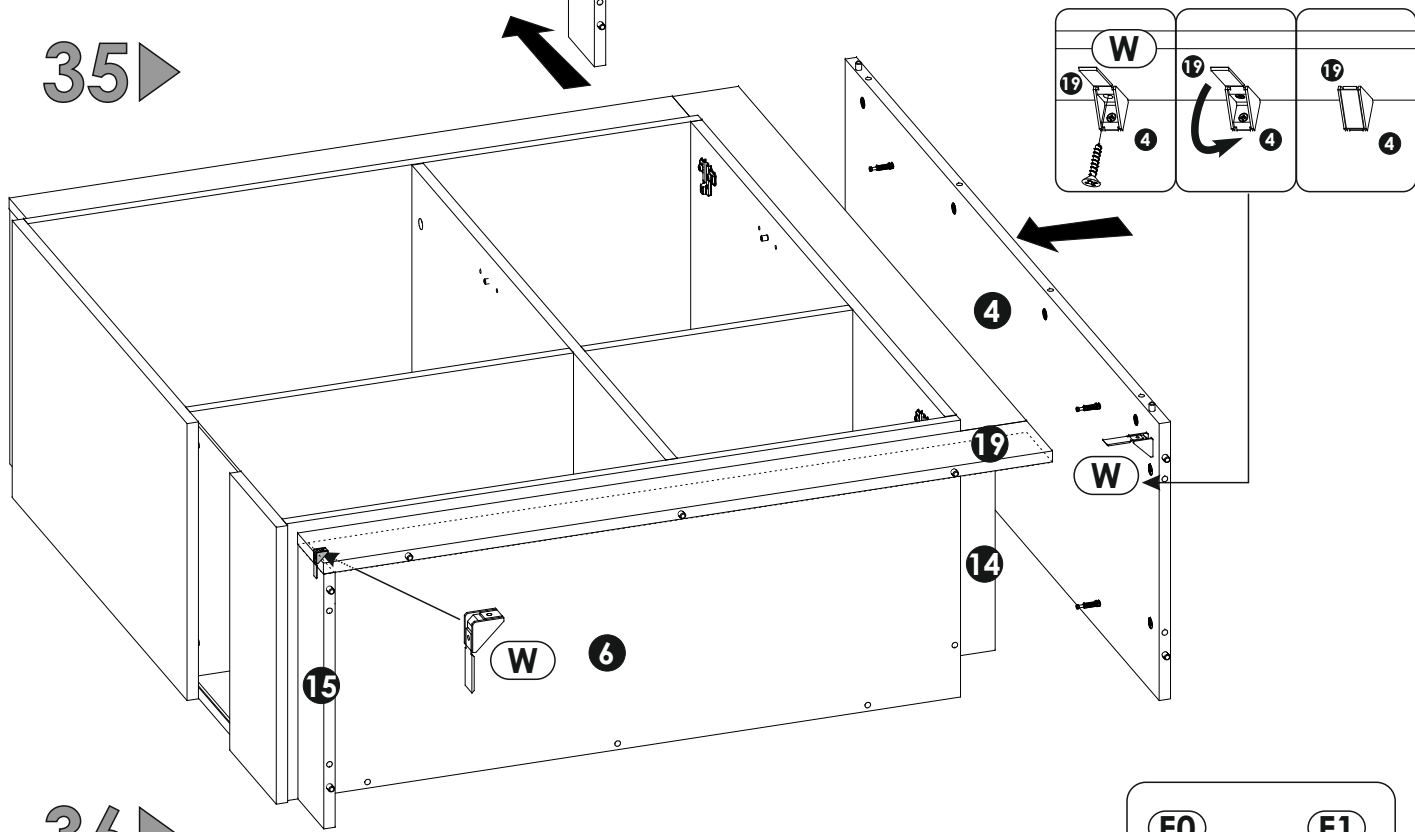
33 ▶



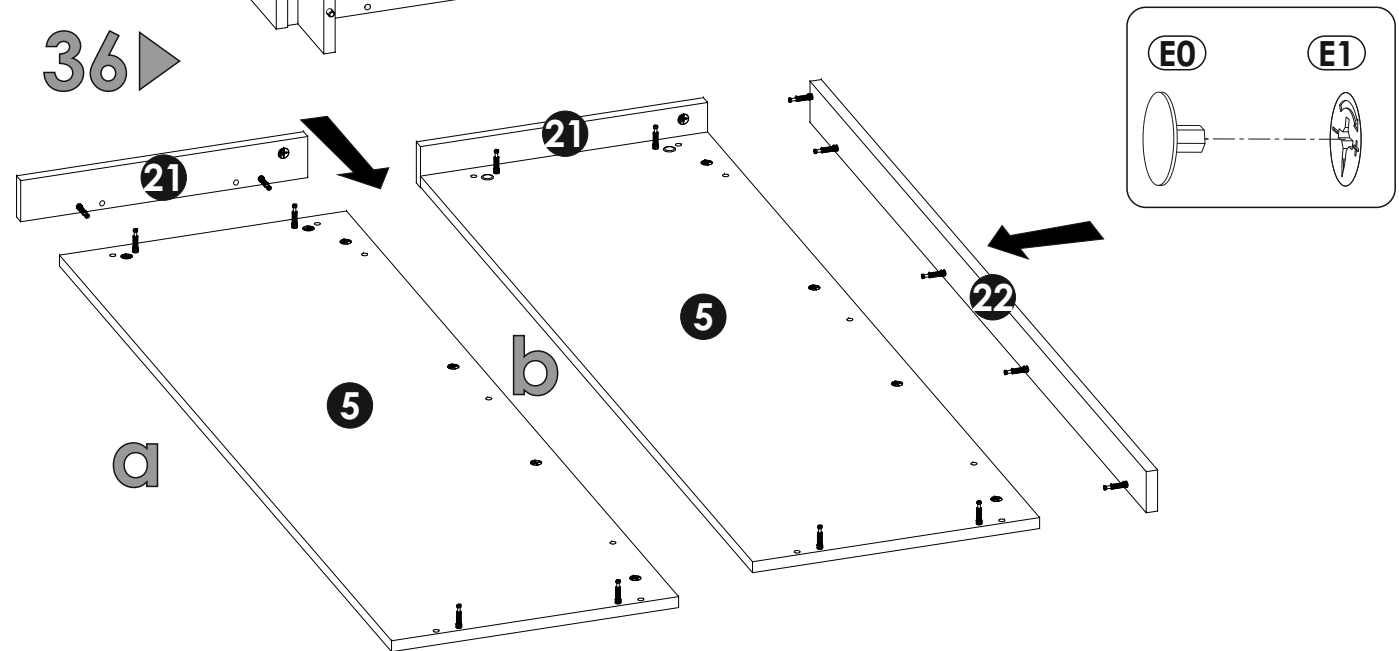
34 ▶

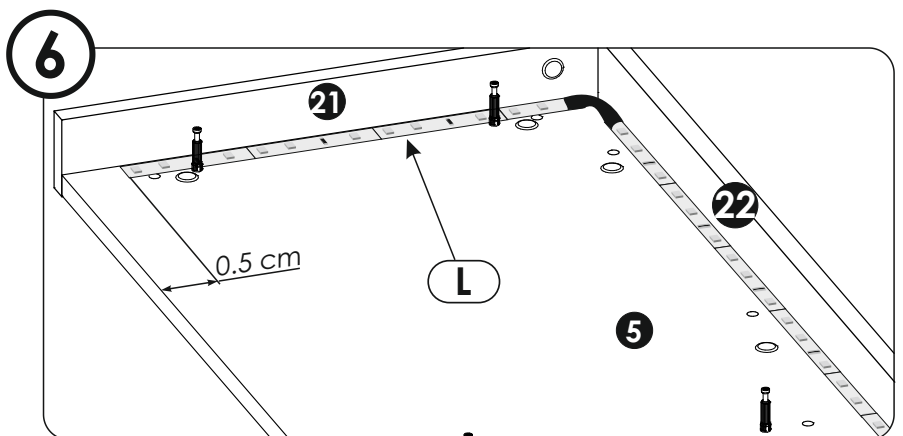
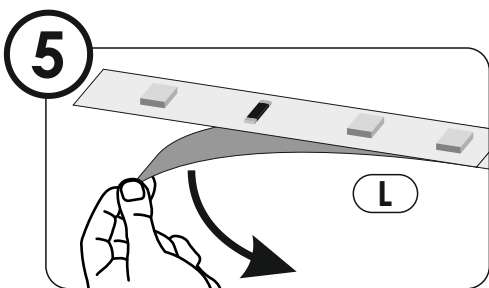
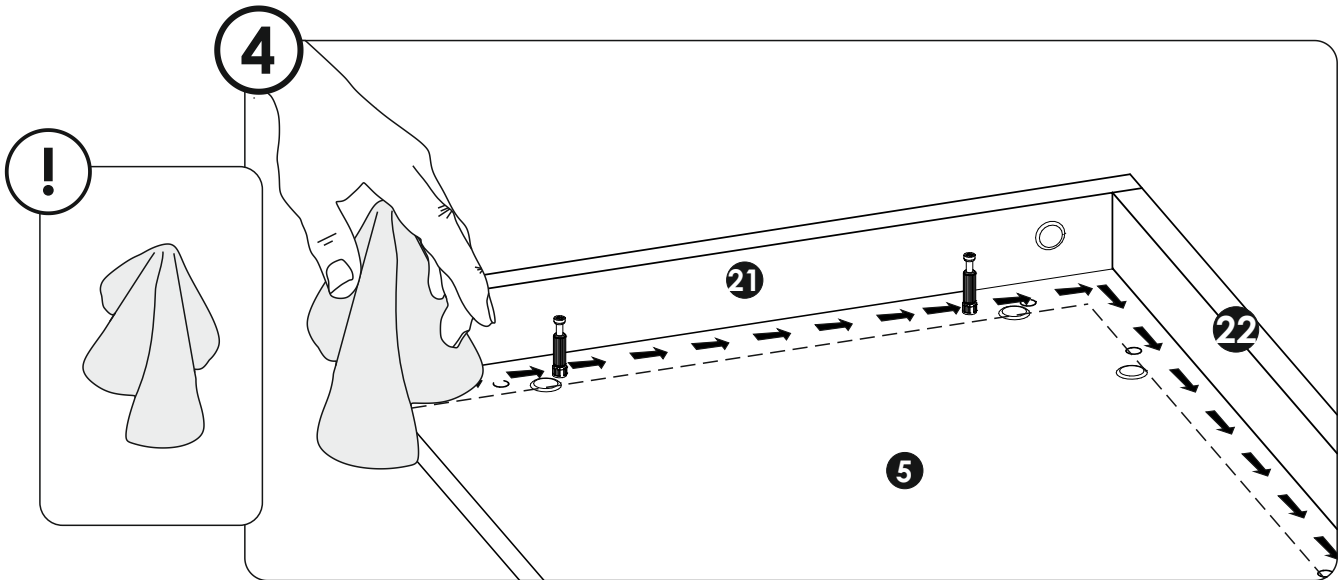
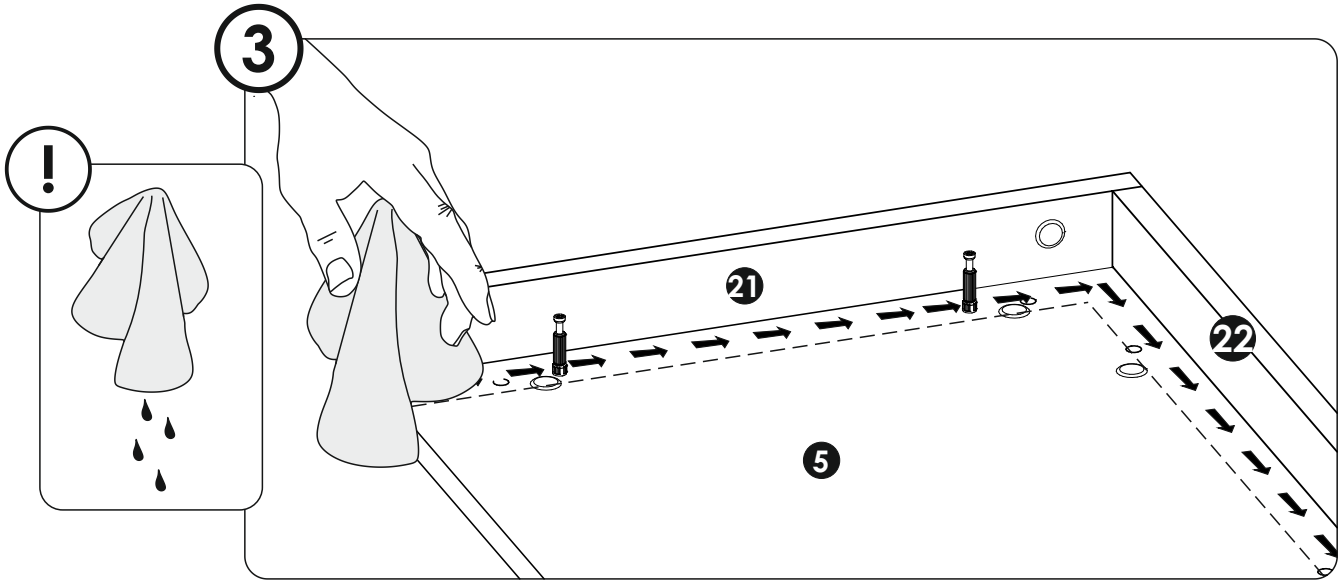
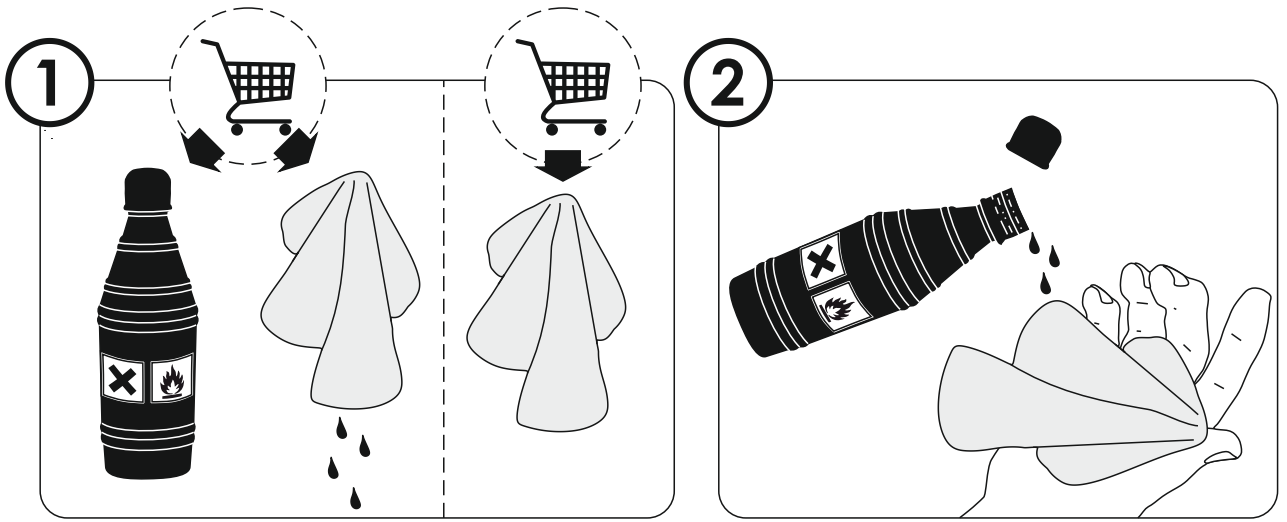


35 ▶

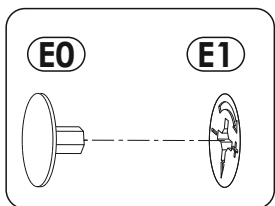
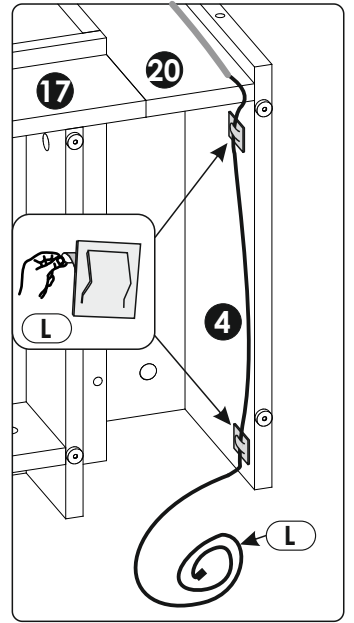
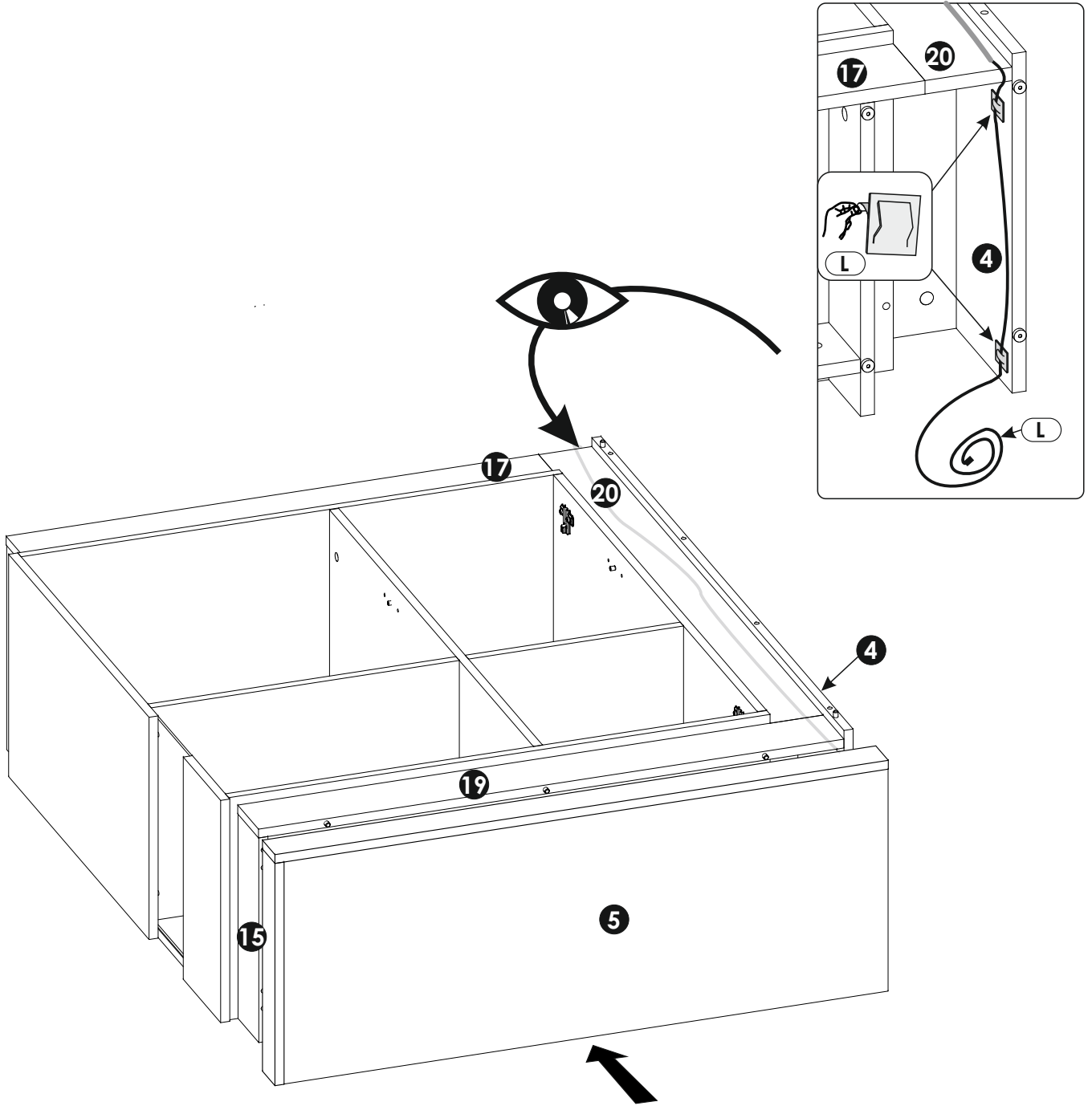


36 ▶





38 ▶



39 ▶

