

MM

260

250

240

230

220

210

200

190

180

170

160

150

140

130

120

110

100

90

80

70

60

50


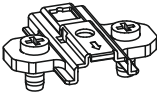
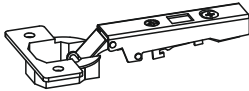


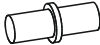
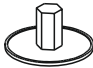





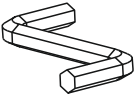





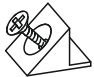
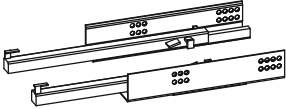
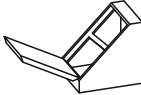
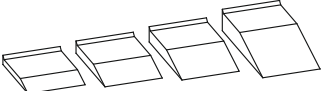
40

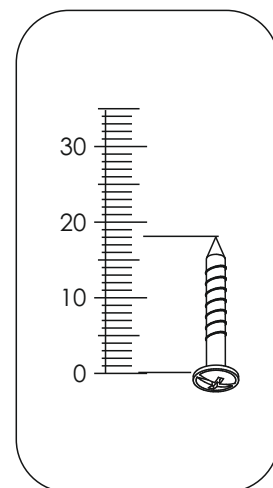
30

20

10

0

A1 x 66 \varnothing 8 x 35 mm 	BC0 x 4 	BC1 x 4 
C1 x 8 EURO 4 x 13 mm 	C2 x 24 EURO 5 x 13 mm 	D2 x 8 
E0 x 32 	E1 x 32 \varnothing 15 x 12 mm 	F1 x 32 
G0 x 20 	G1 x 20 \varnothing 7 x 50 mm 	I2 x 2.4 x 16 mm 
M x 1 	N1 x 80 3 x 16 mm 	N2 x 12.5 x 16 mm 
O2 x 8 	Q9 x 2 	R1 x 10 
R4 x 6 	T10 x 6 L-360 	W x 6 
Z x 1 		

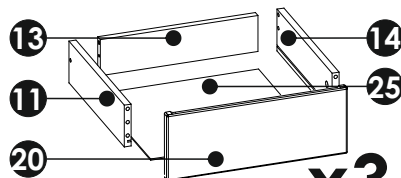
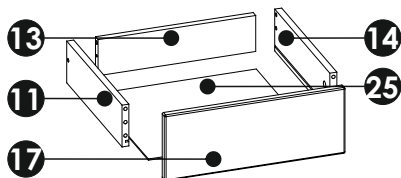
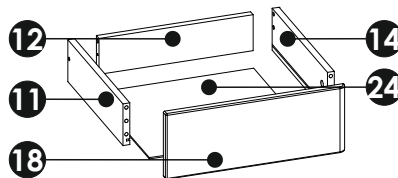
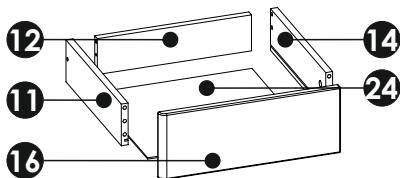
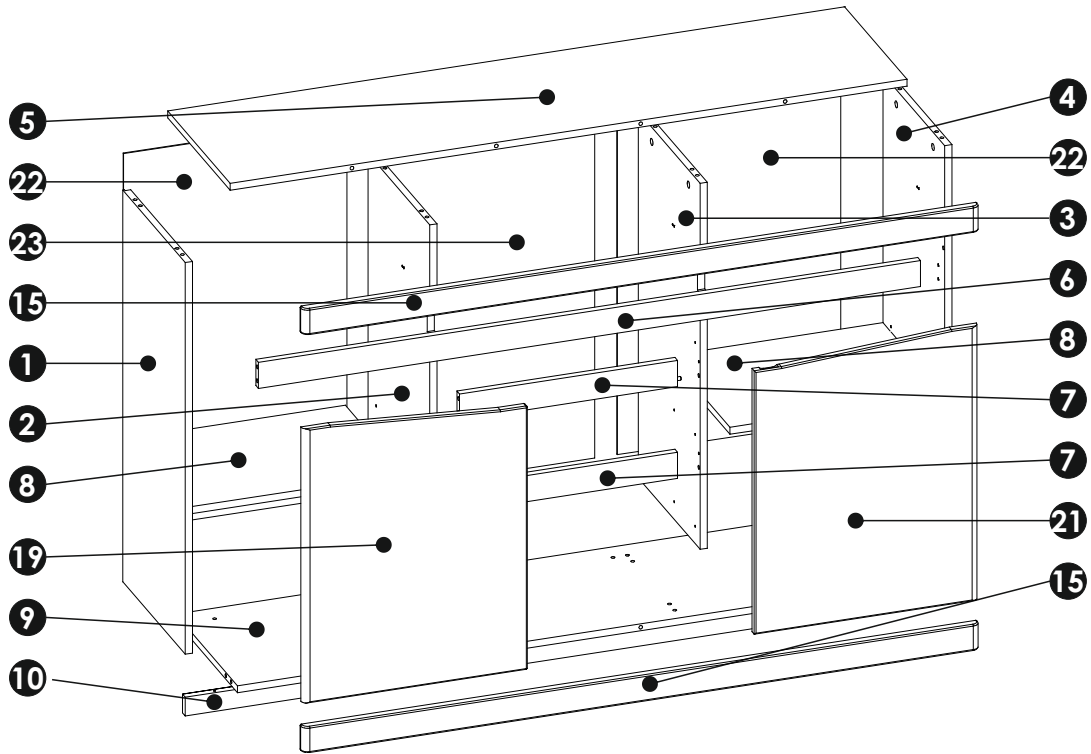




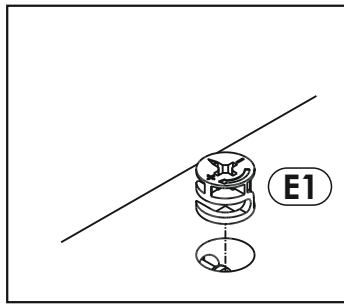
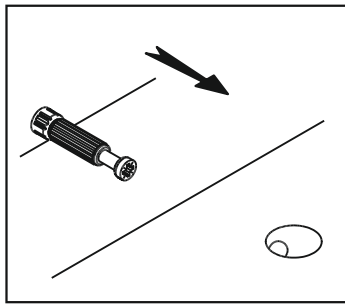
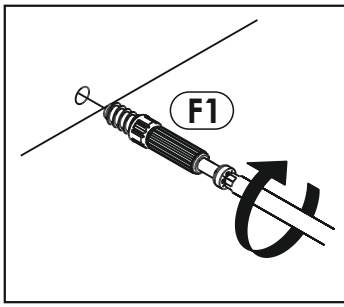
1	900	380	16	x1	1/2
2	841	376	16	x1	2/2
3	841	376	16	x1	2/2
4	900	380	16	x1	1/2
5	1500	380	16	x1	2/2

6	1467	60	16	x1	2/2
7	483	60	16	x2	2/2
8	476	360	16	x2	1/2
9	1467	376	16	x1	2/2
10	1467	43	16	x1	2/2
11	350	100	16	x6	1/2
12	436	86	16	x2	1/2
13	443	86	16	x4	2/2
14	350	100	16	x6	1/2
15	1500	60	19	x2	2/2

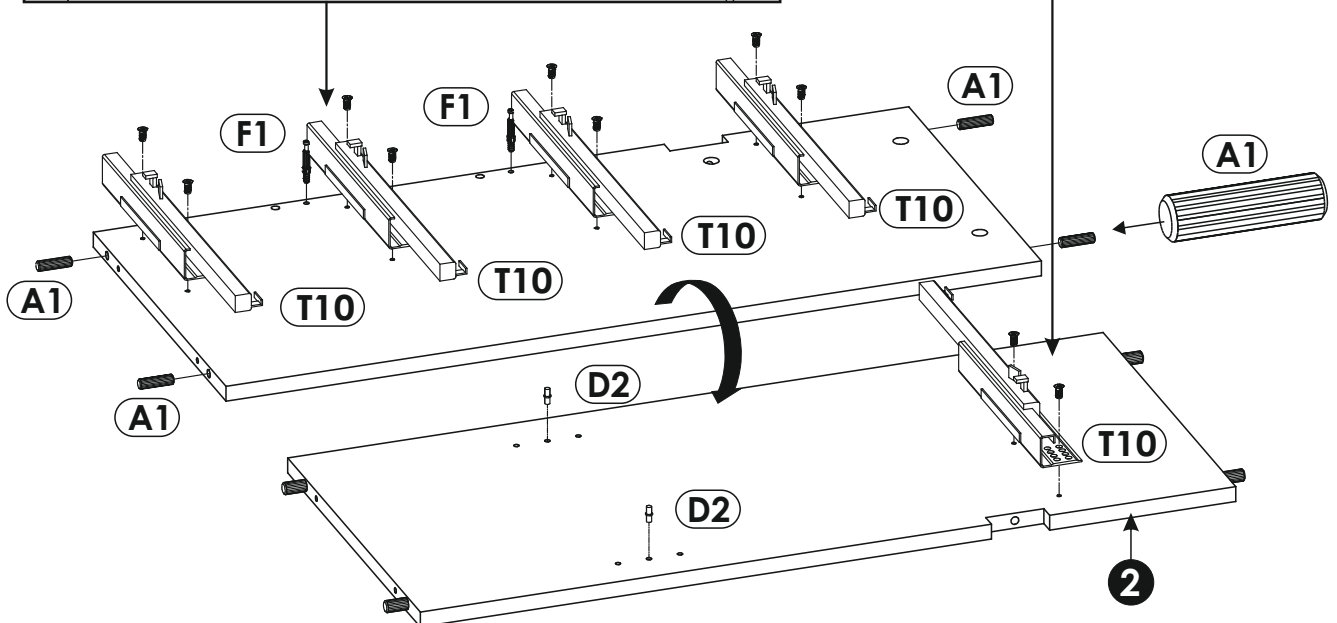
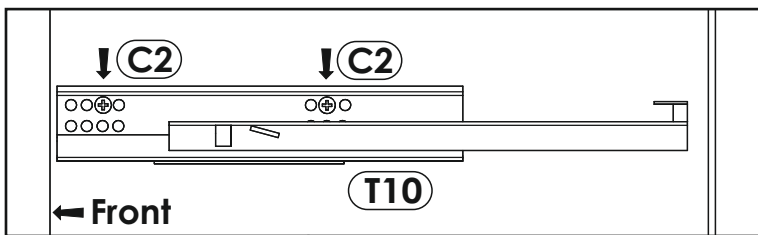
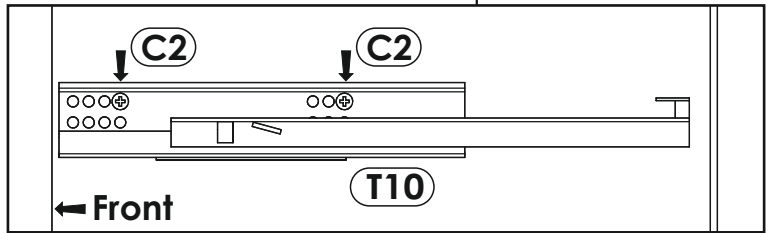
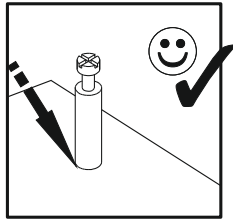
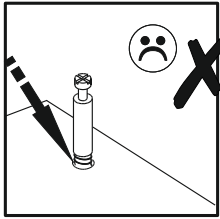
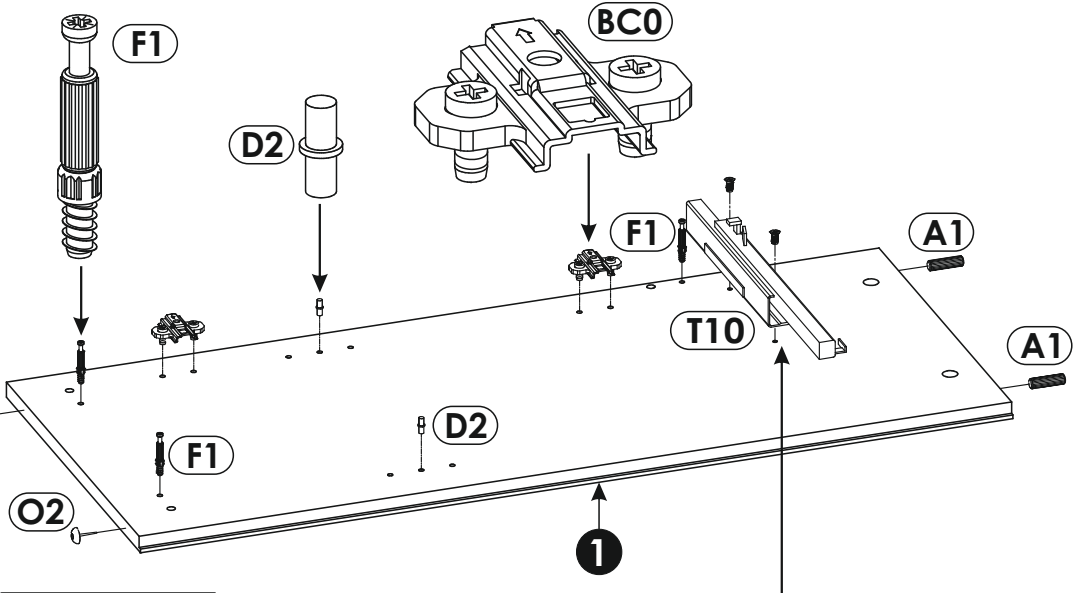
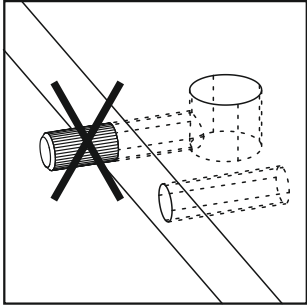
16	497	157	16	x1	2/2
17	497	157	16	x1	2/2
18	497	157	16	x1	2/2
19	479	630	16	x1	1/2
20	497	183	16	x3	1/2
21	497	630	16	x1	1/2
22	866	495	3	x2	1/2
23	866	499	3	x1	1/2
24	451	355	3	x2	2/2
25	458	355	3	x4	2/2



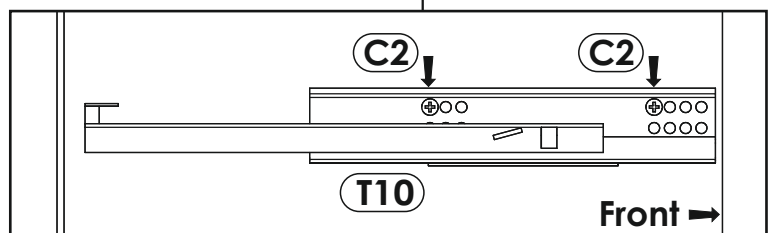
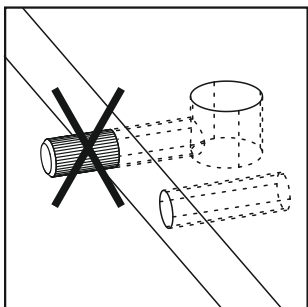
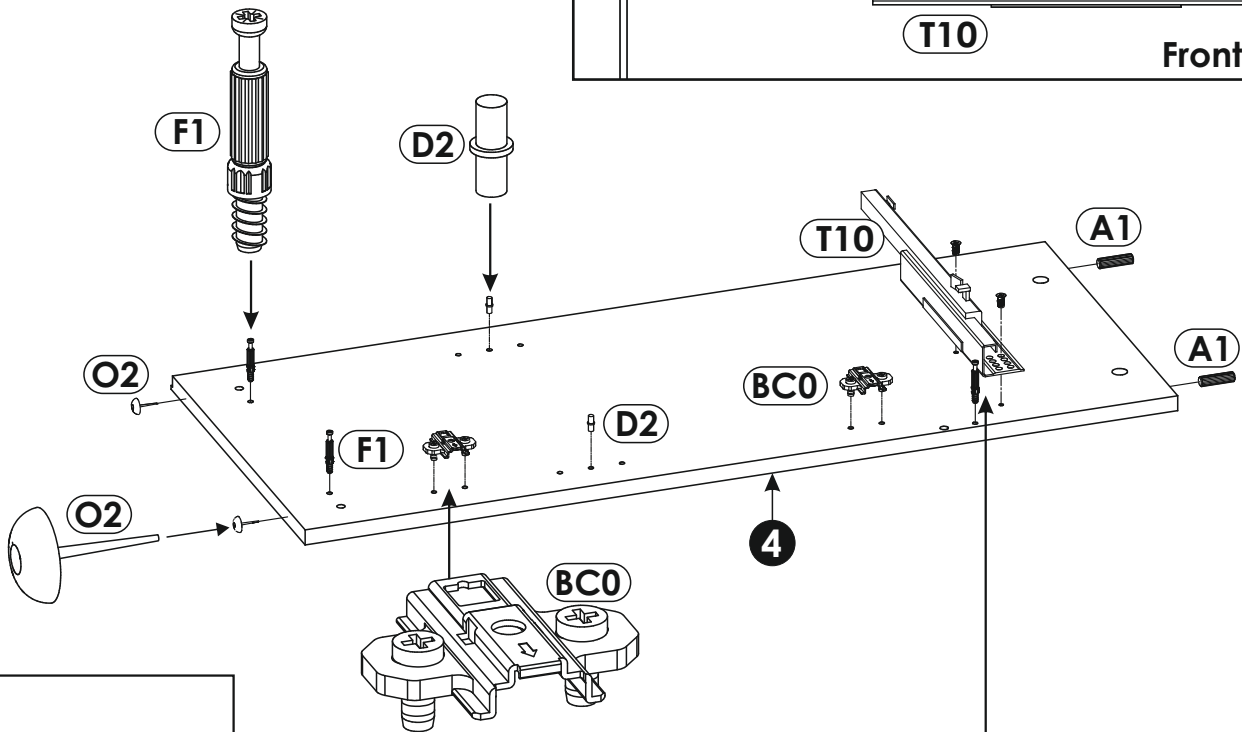
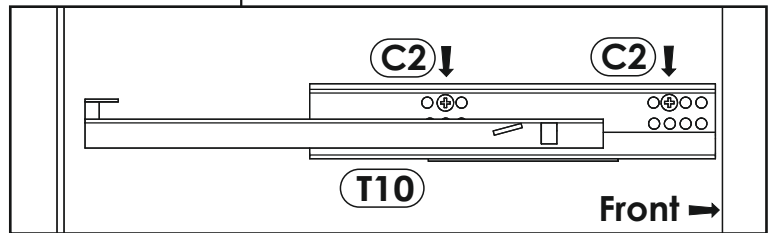
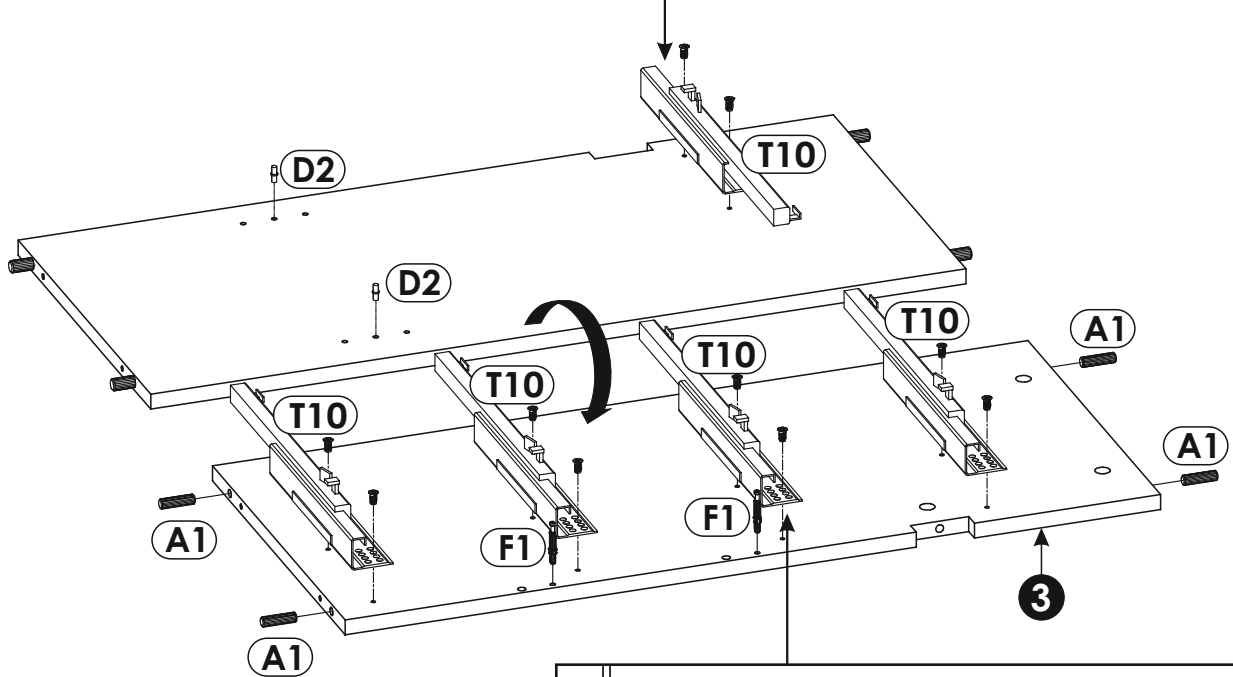
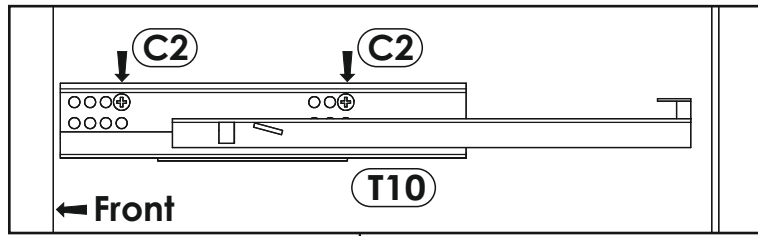
x3



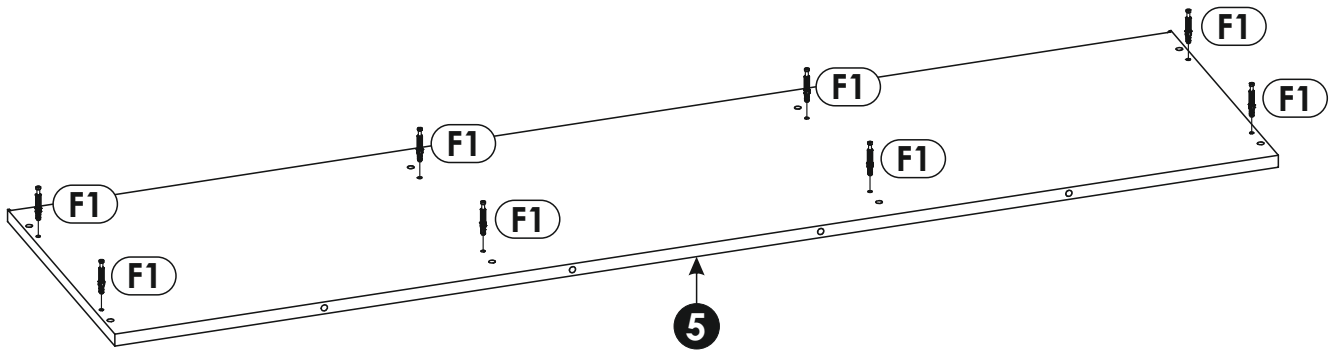
1 ▶



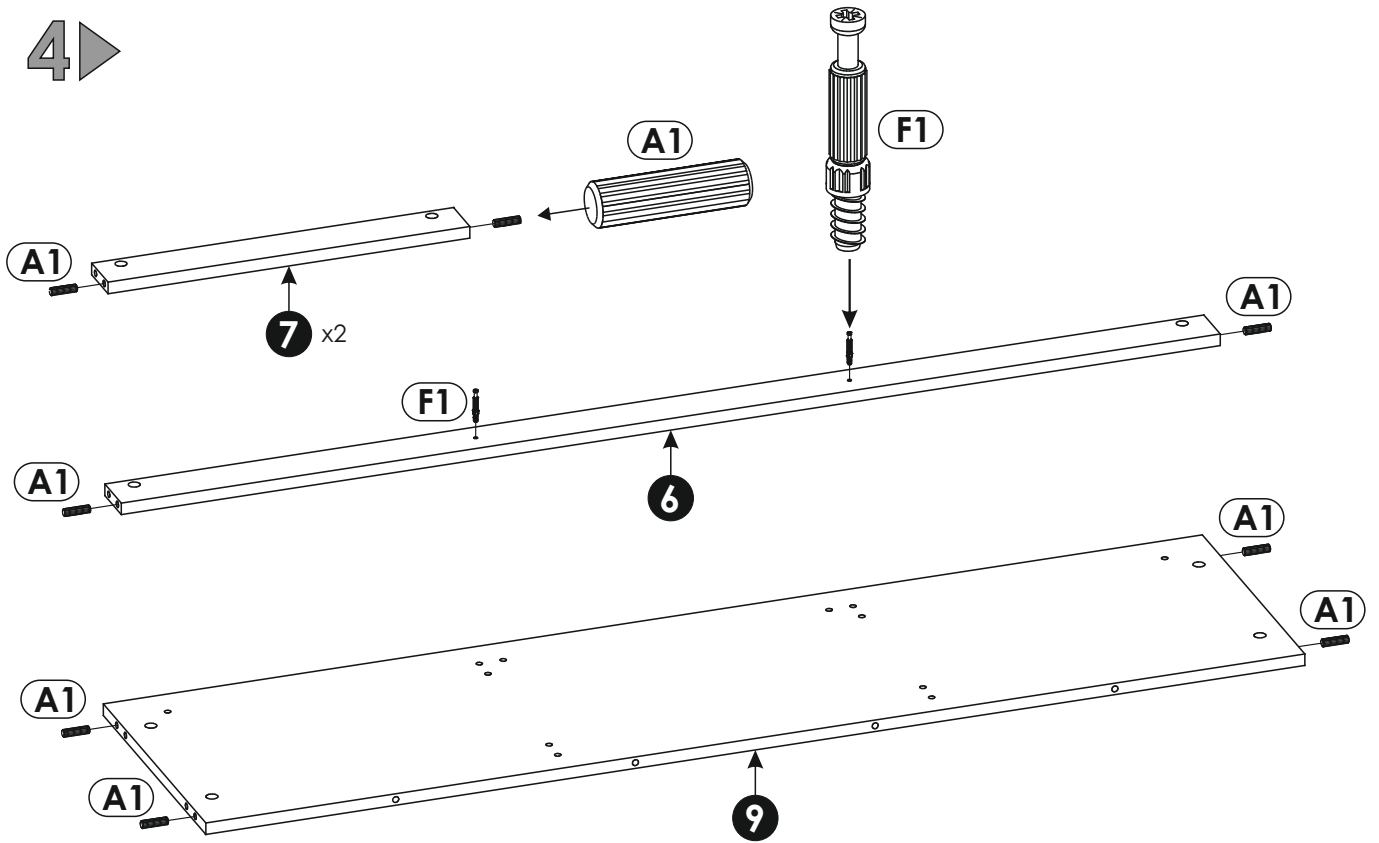
2 ▶



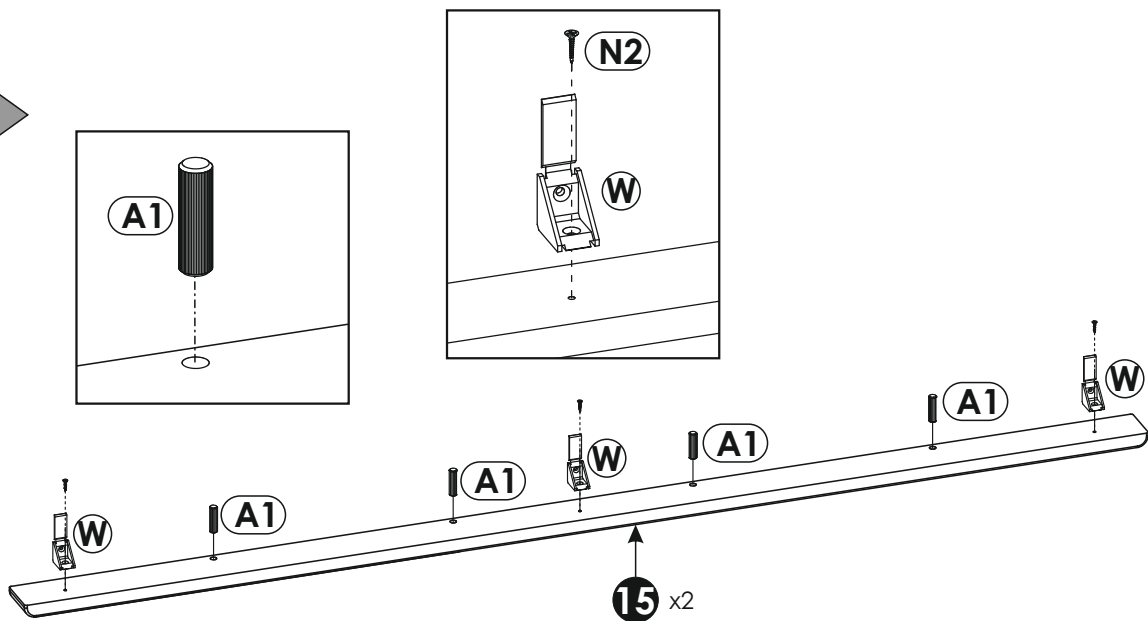
3 ▶



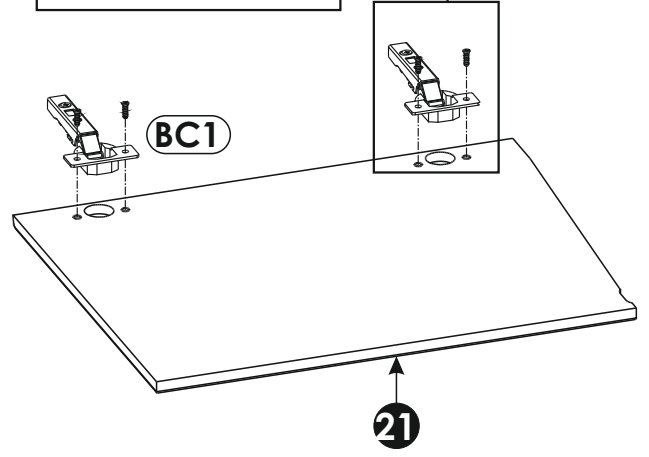
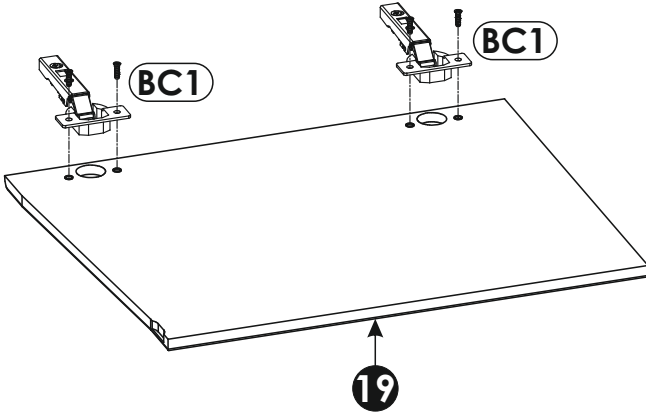
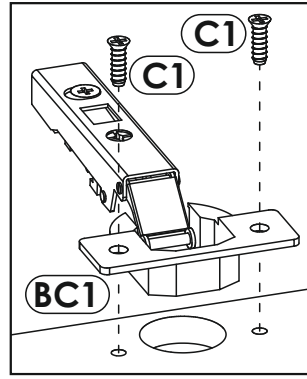
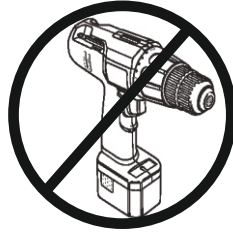
4 ▶



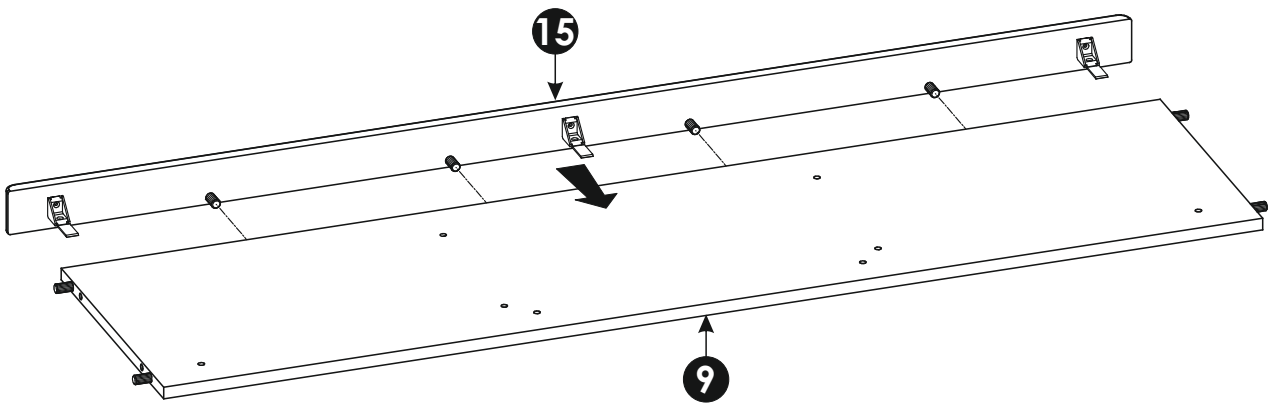
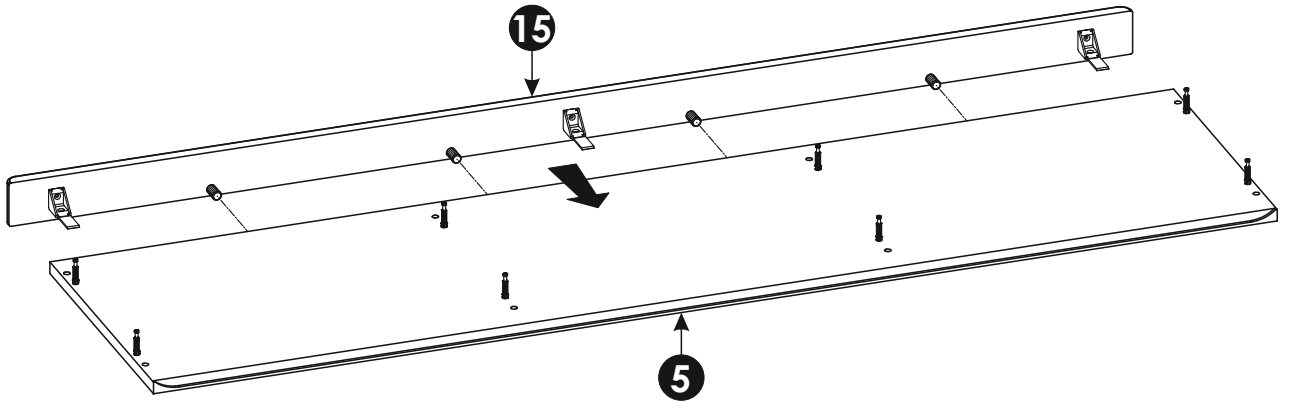
5 ▶



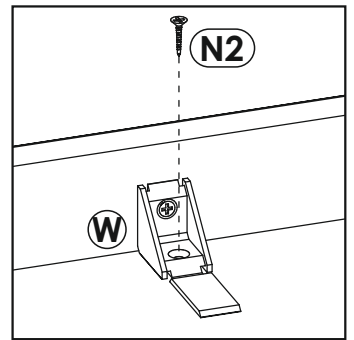
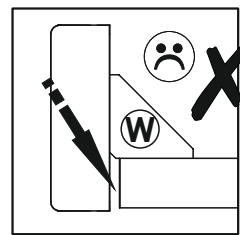
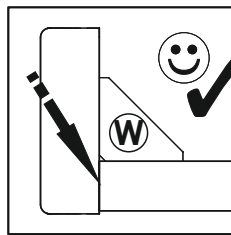
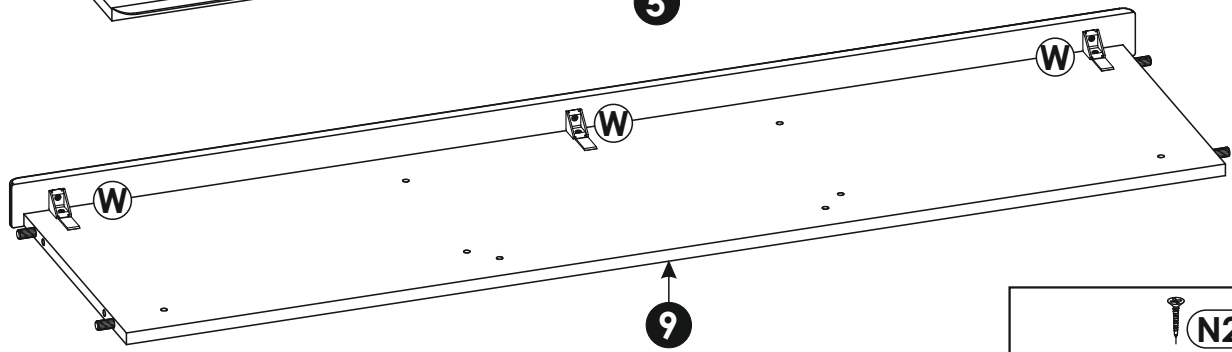
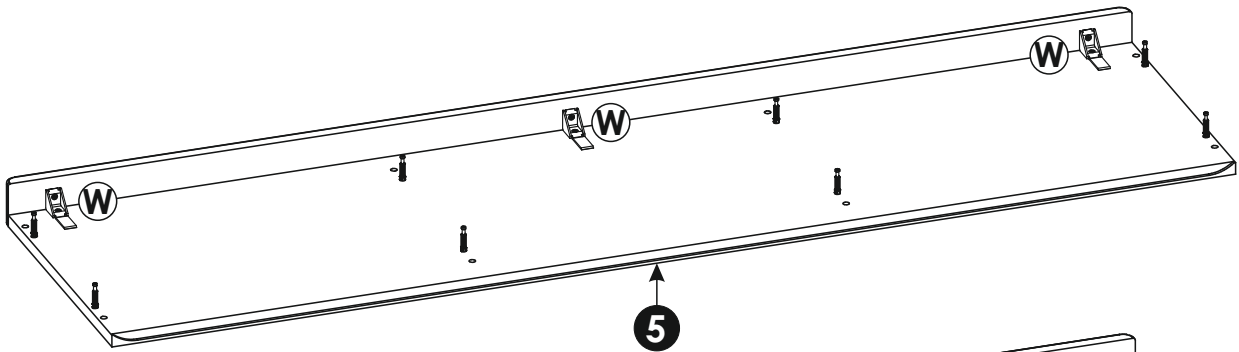
6 ▶



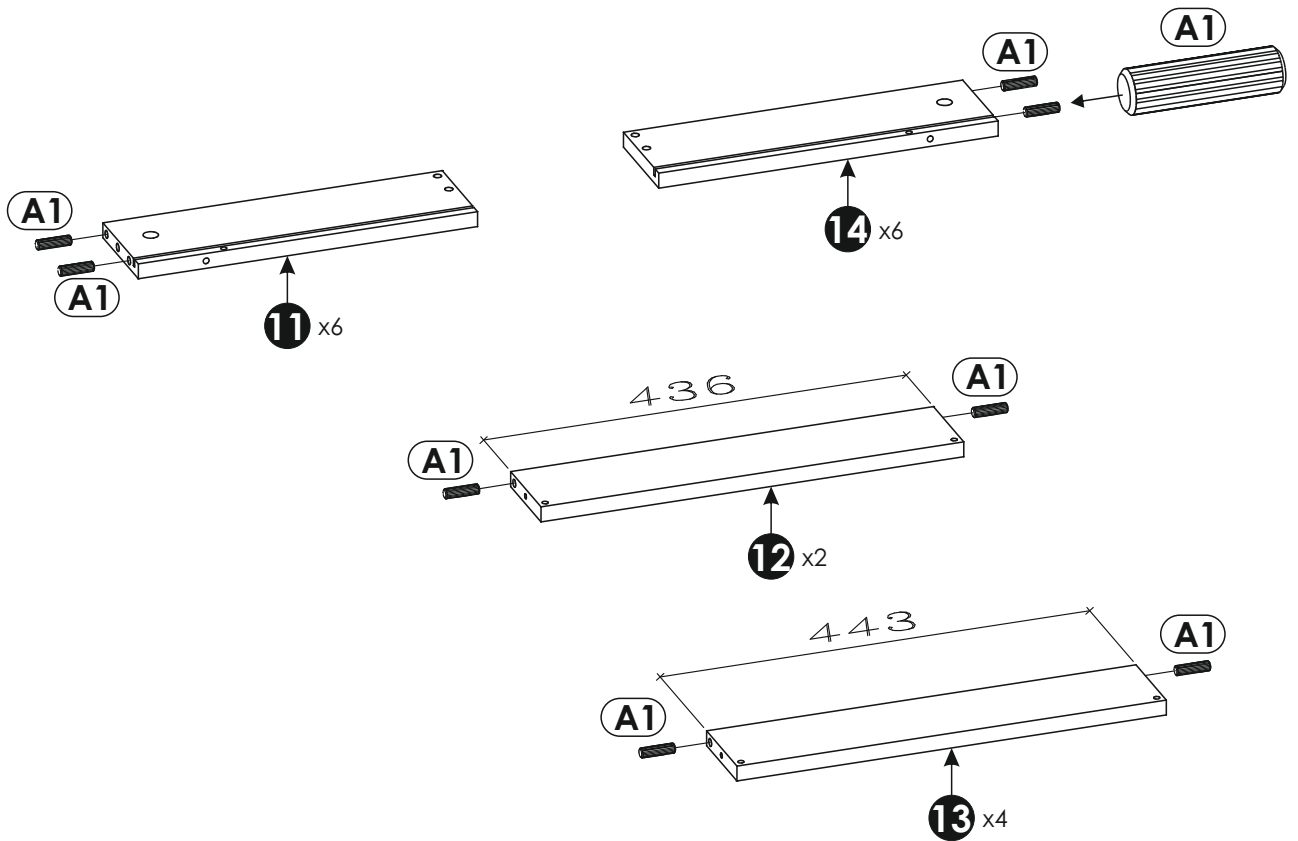
7 ▶



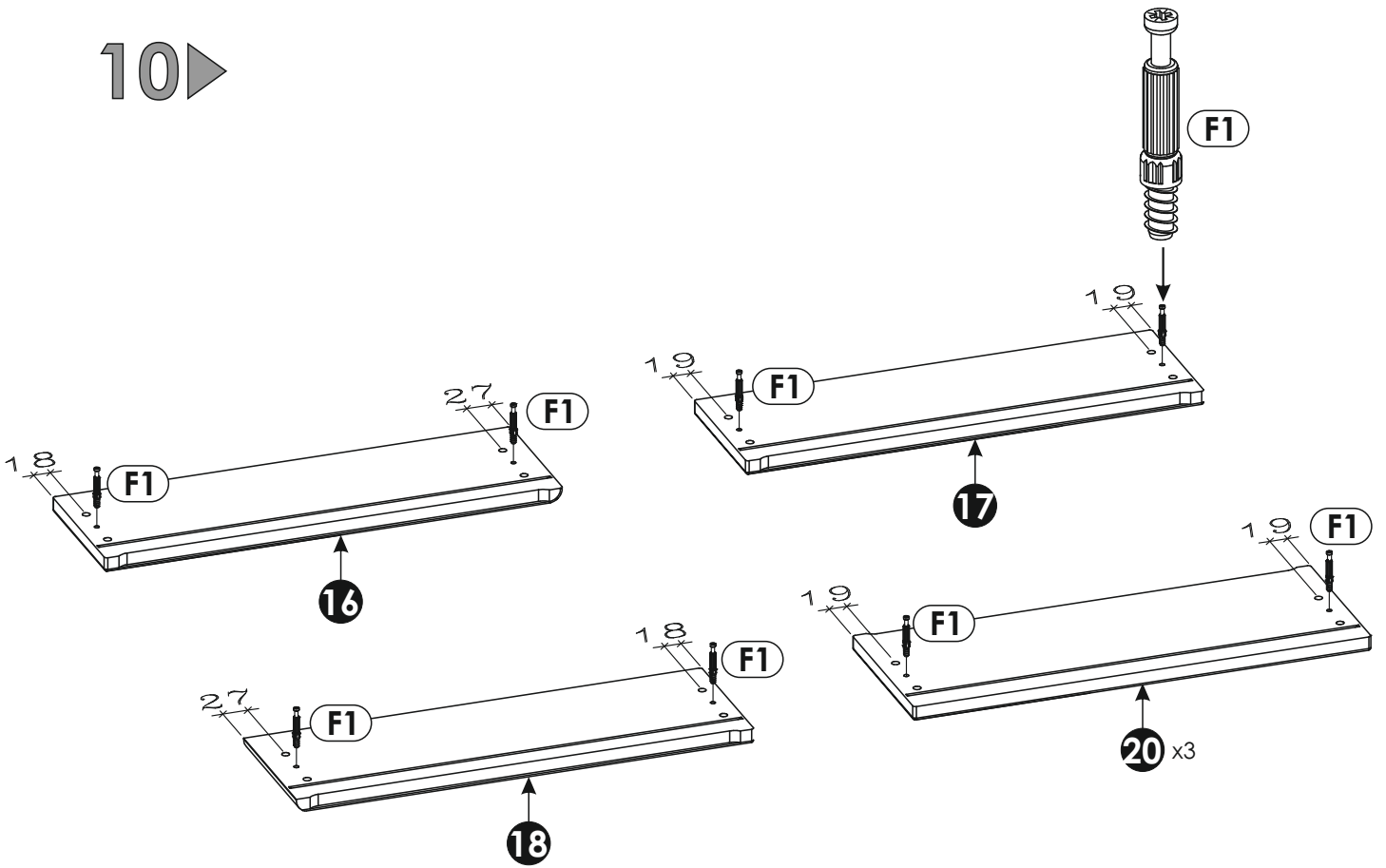
8 ▶



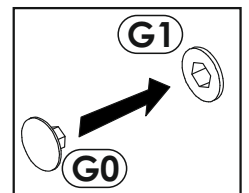
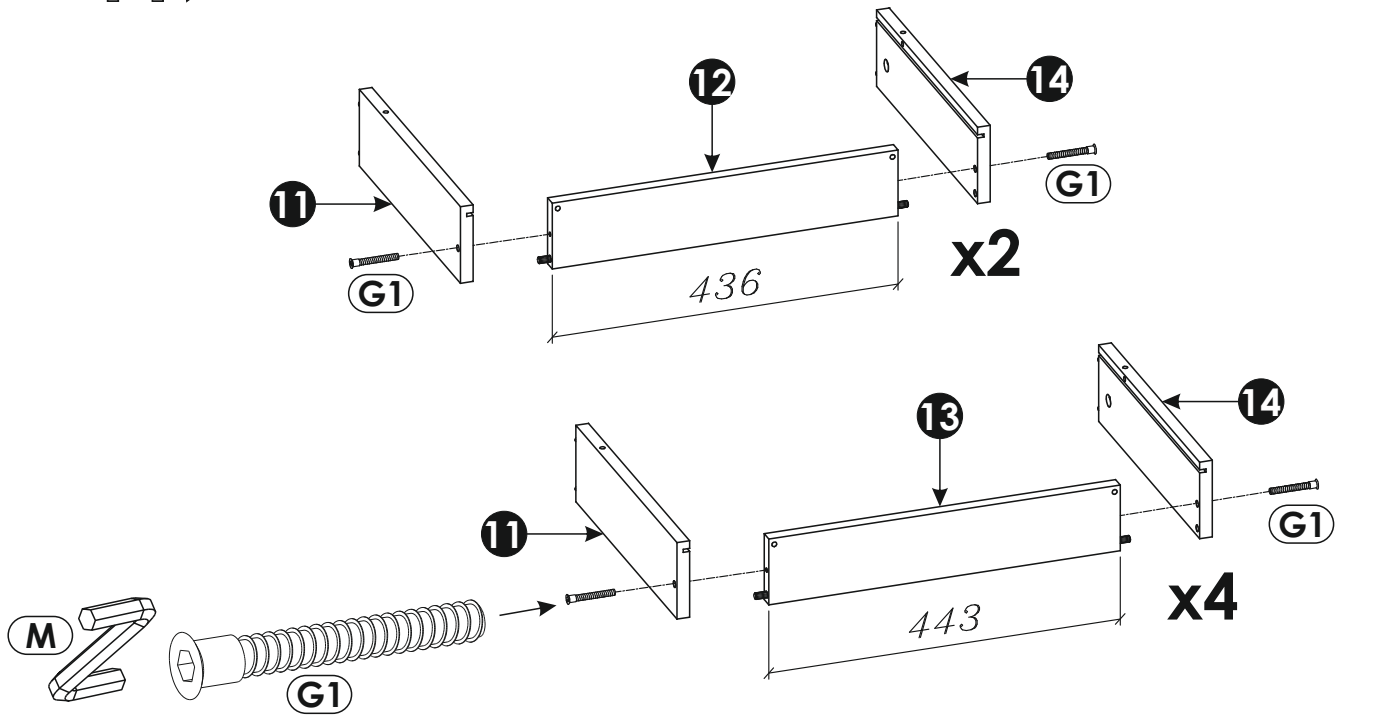
9 ▶



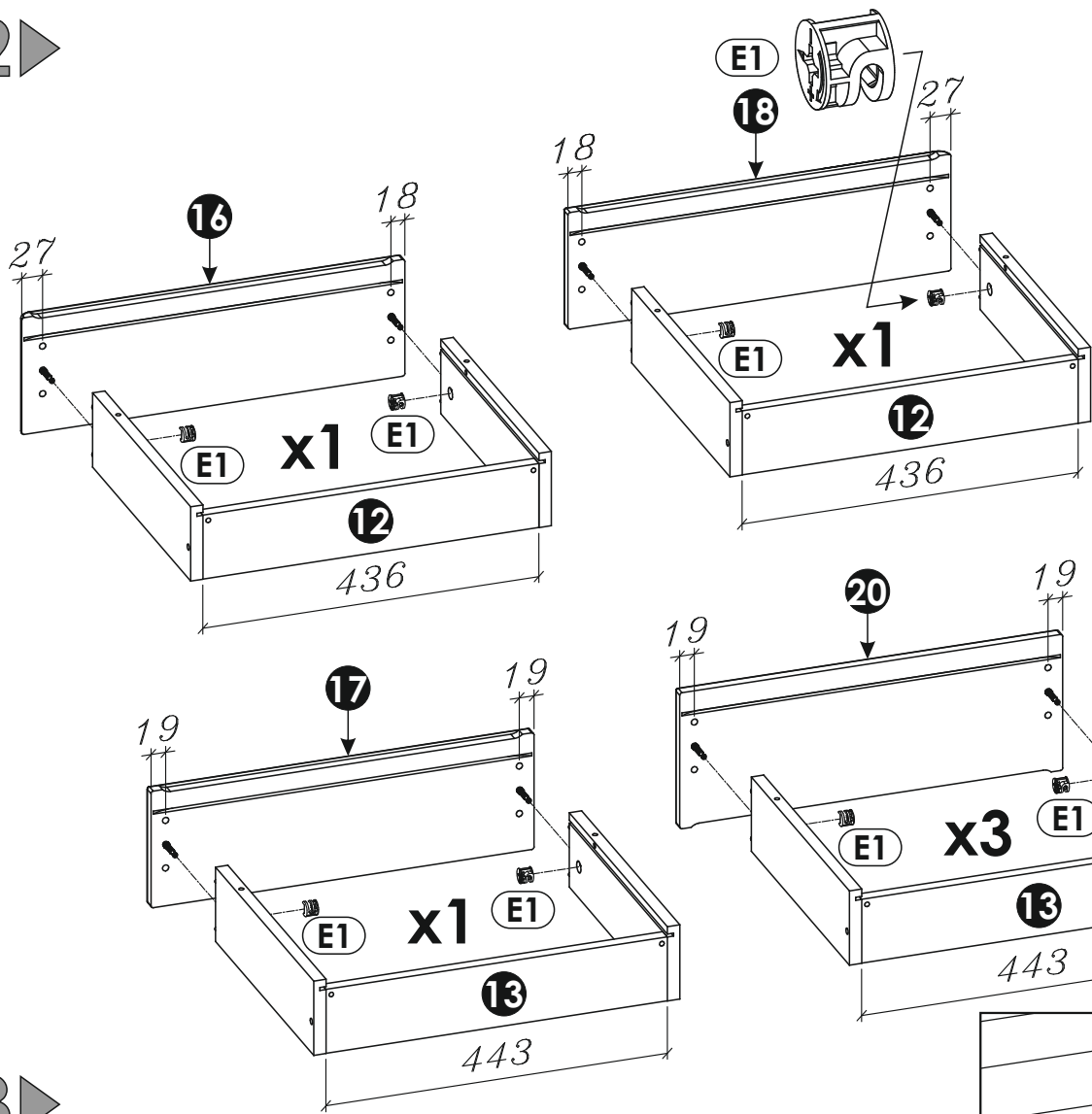
10 ▶



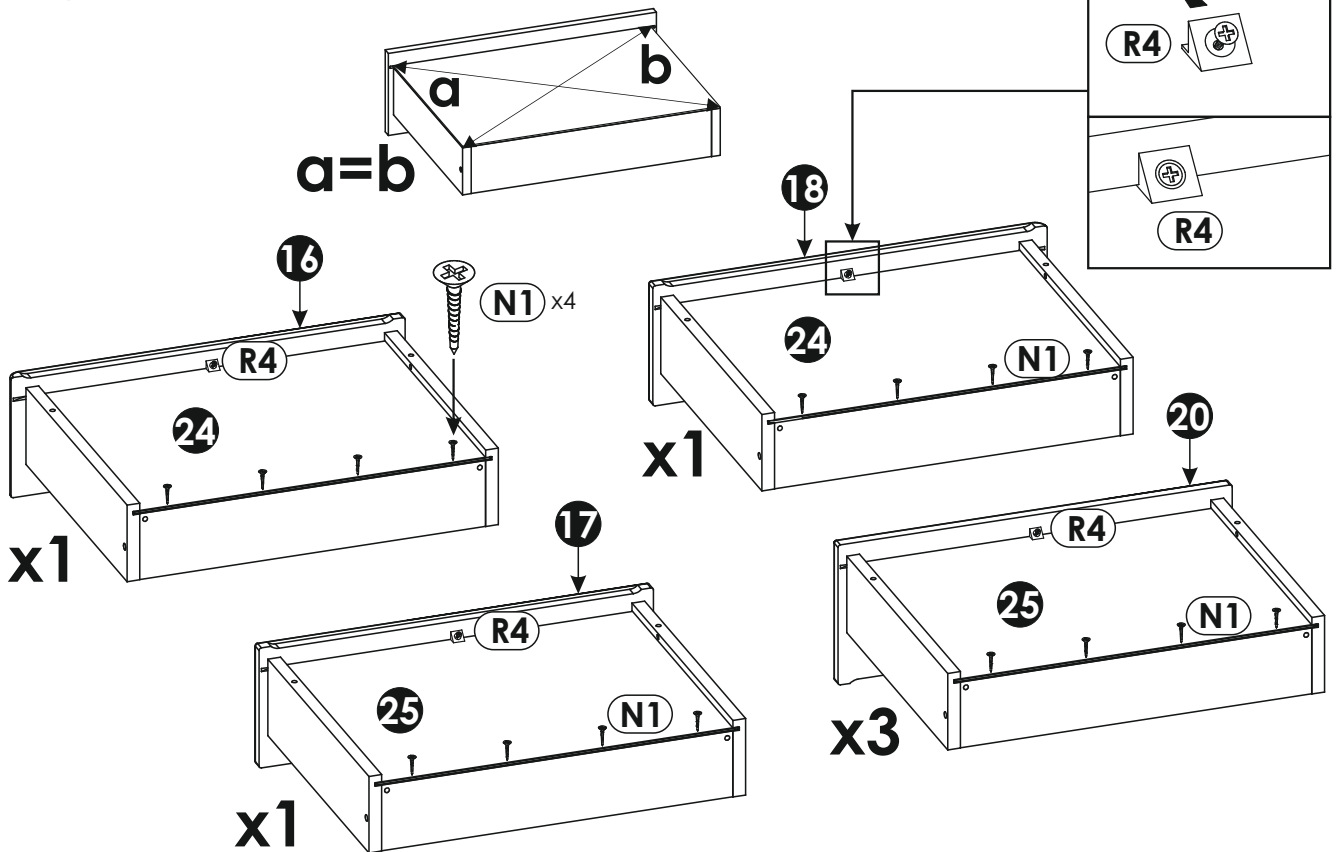
11 ▶



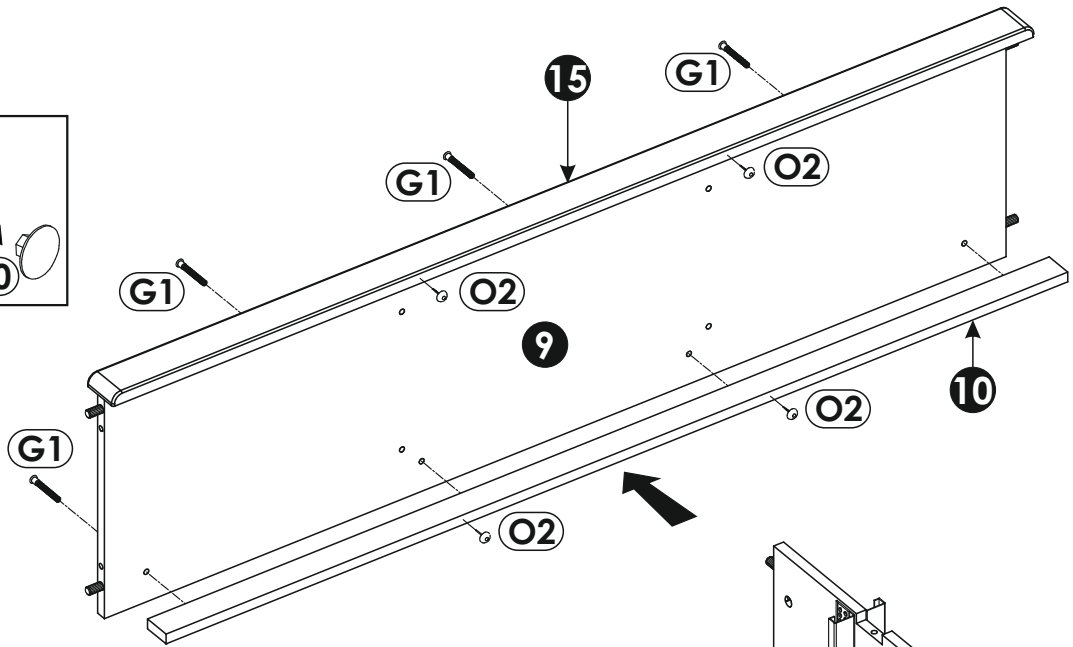
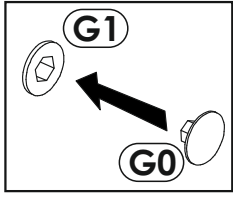
12 ▶



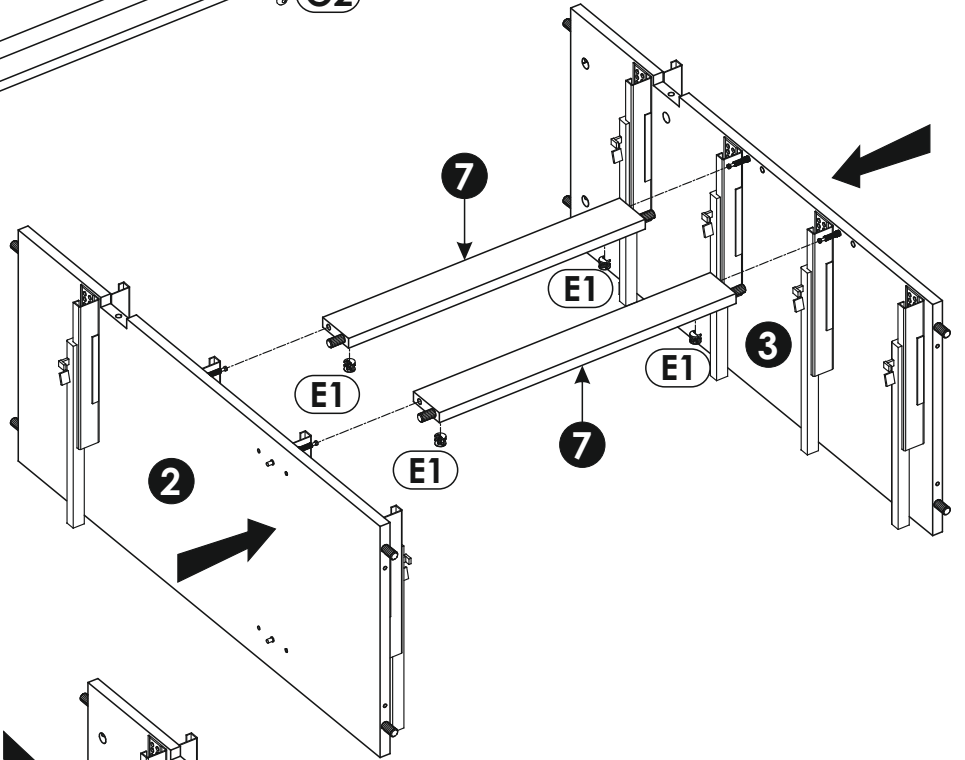
13 ▶



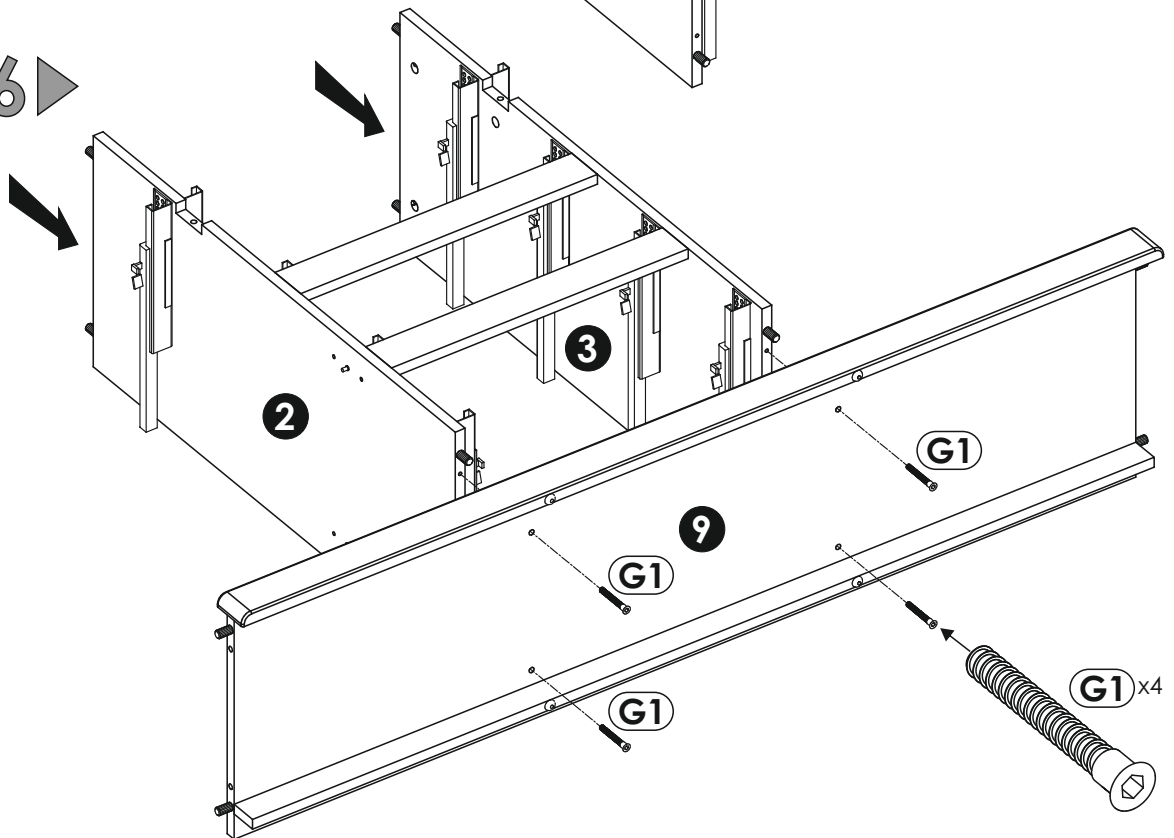
14 ▶



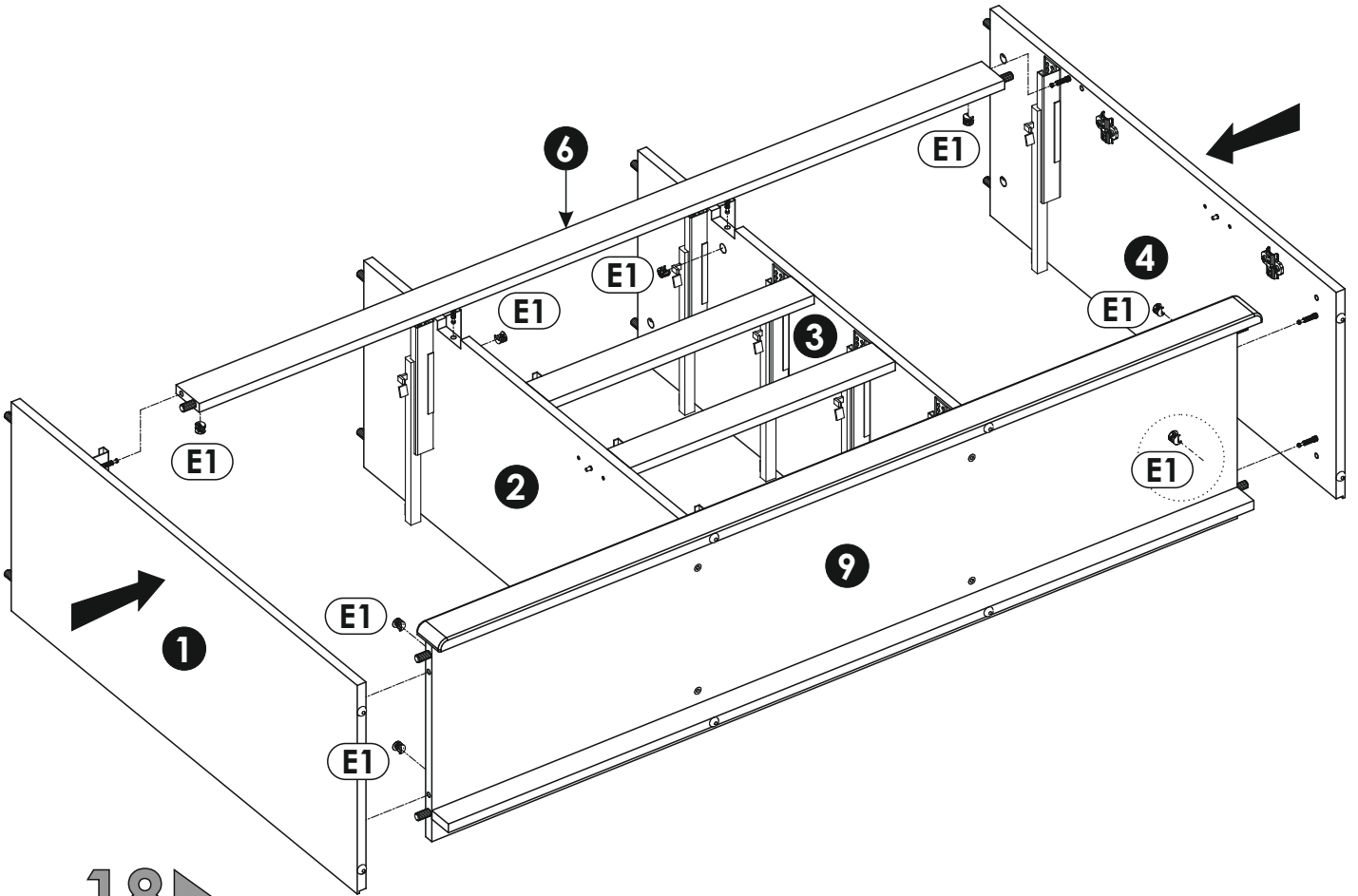
15 ▶



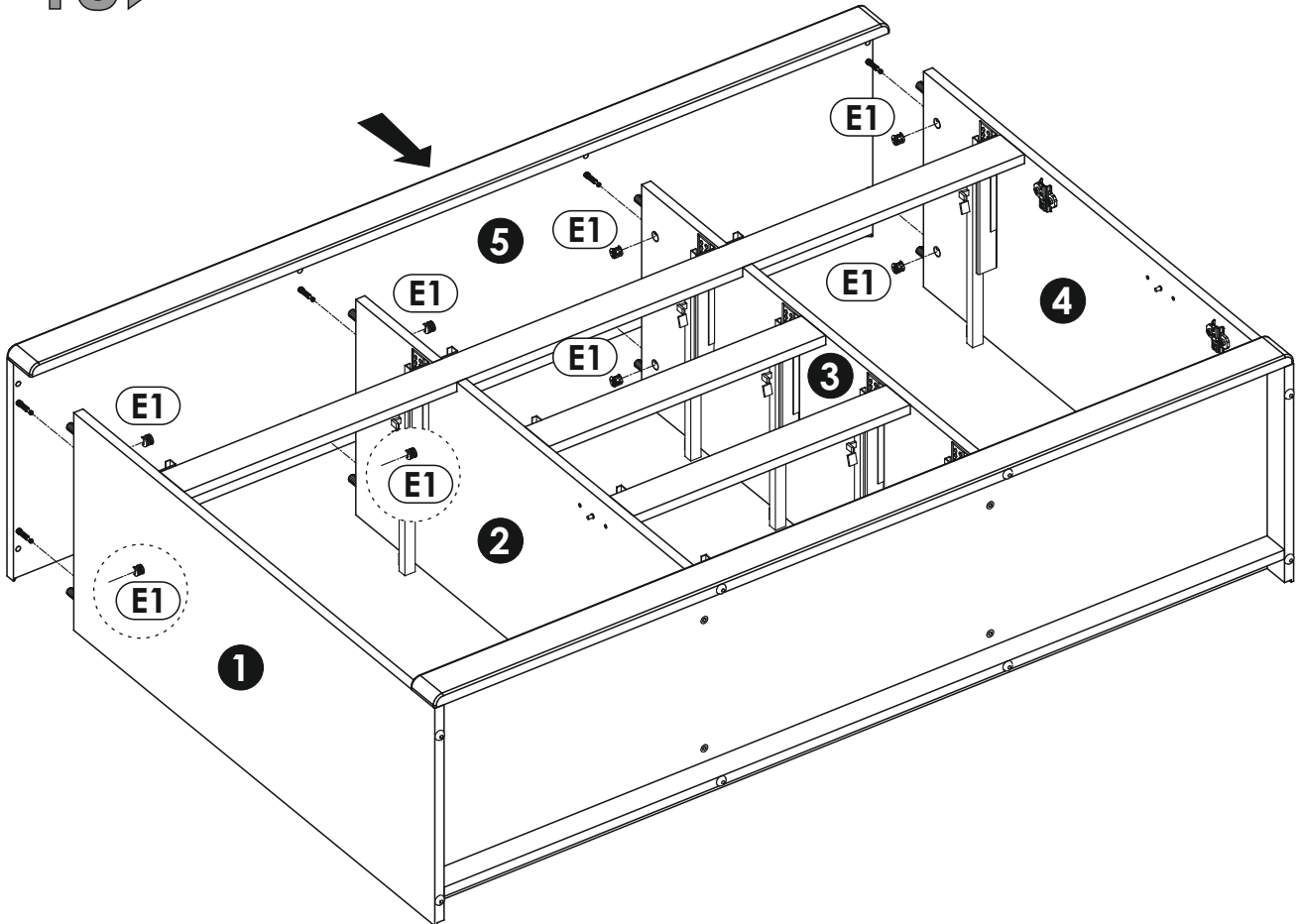
16 ▶



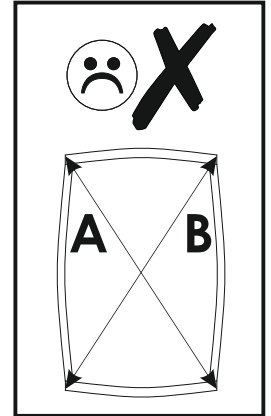
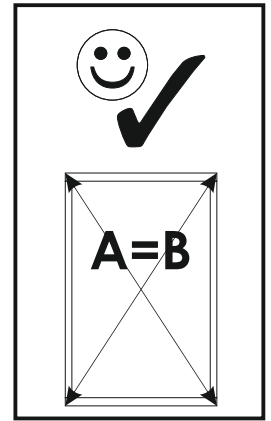
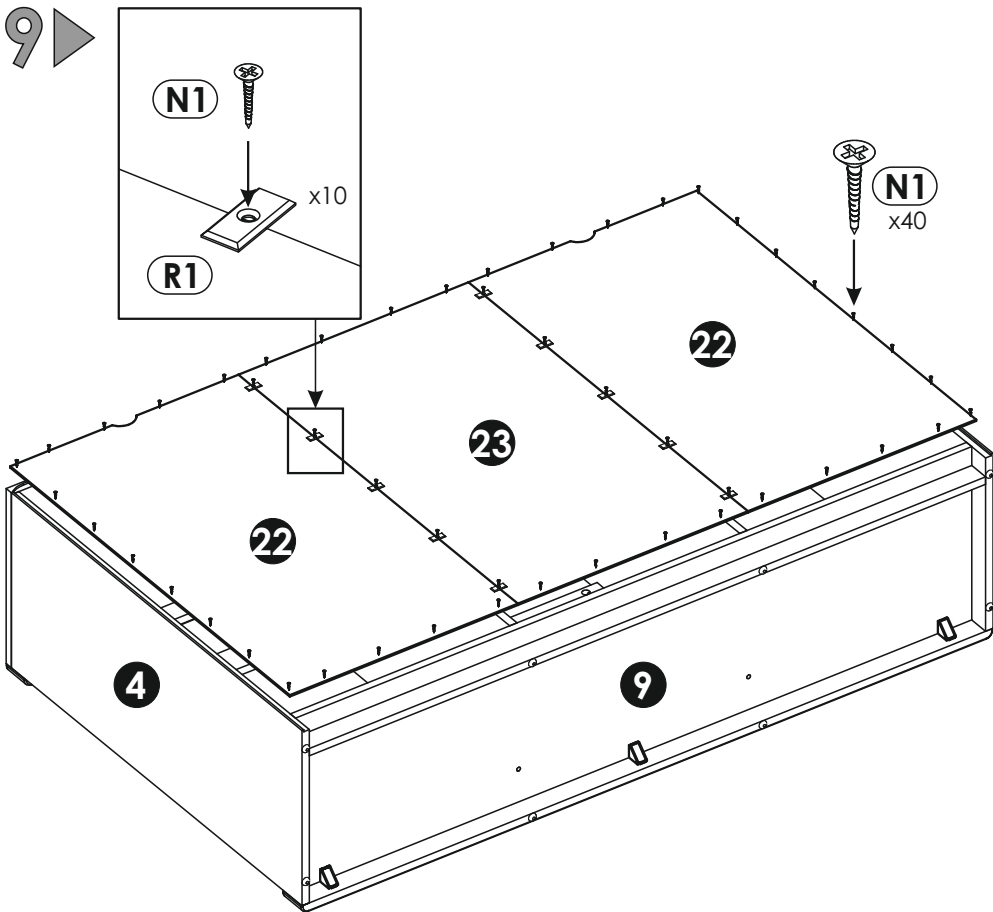
17▶



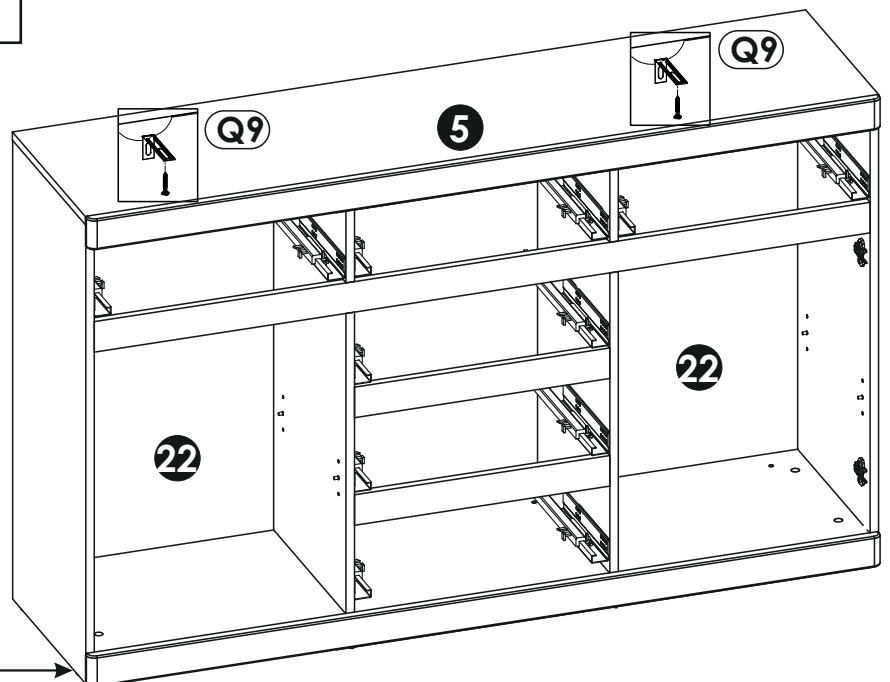
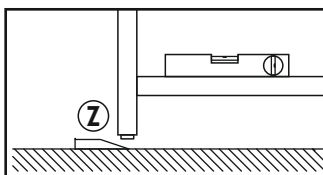
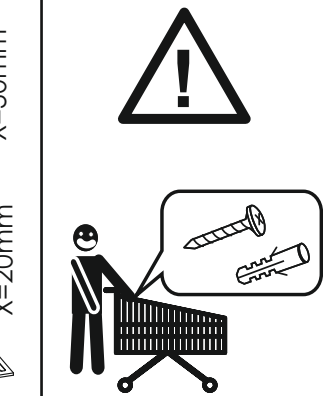
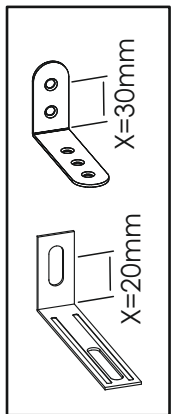
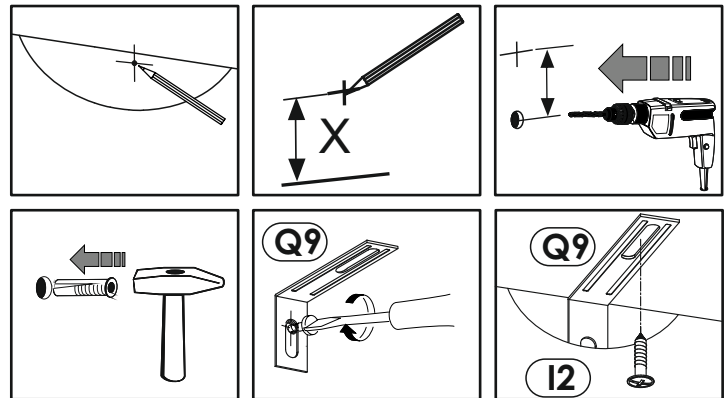
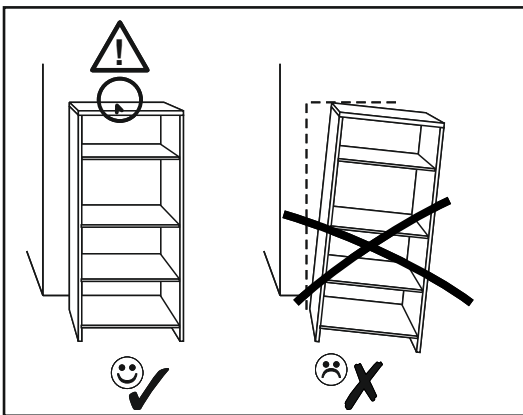
18▶



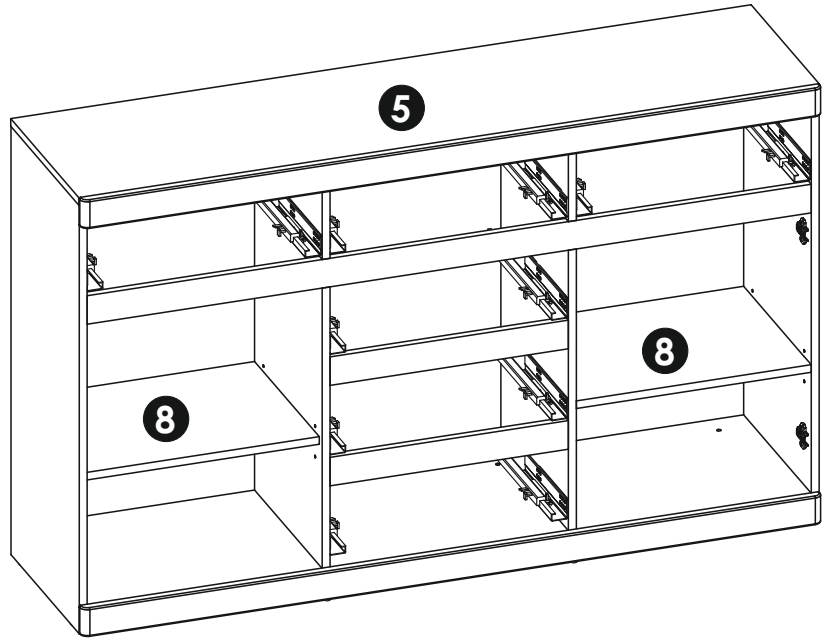
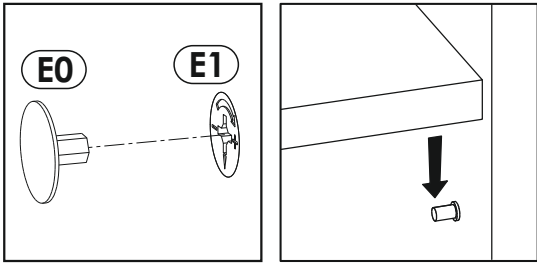
19 ▶



20 ▶



21 ▶



22 ▶

