


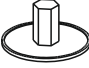


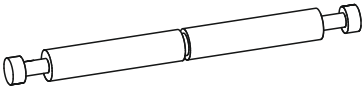

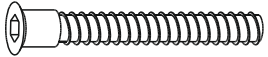


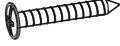
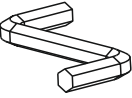


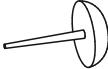


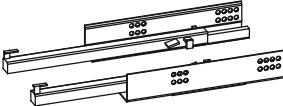
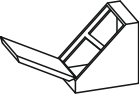
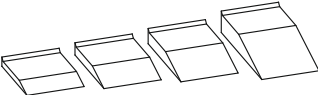
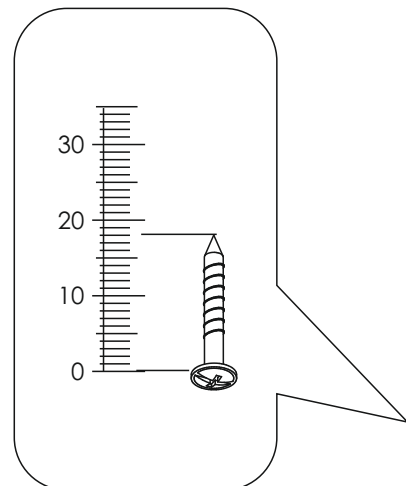
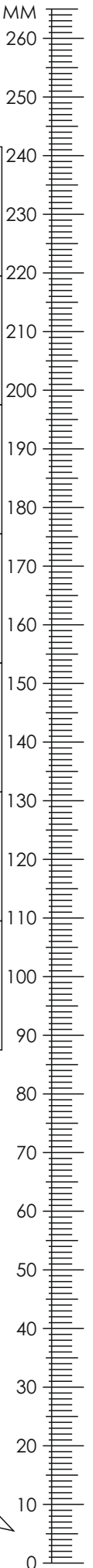
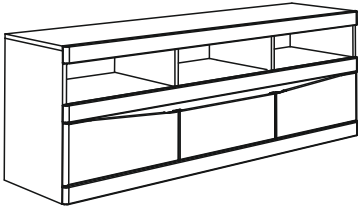


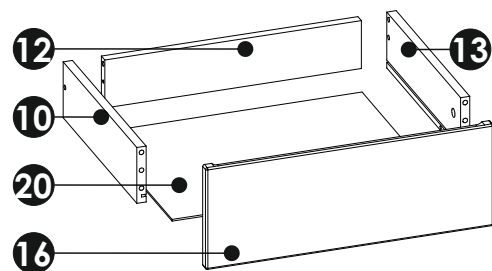
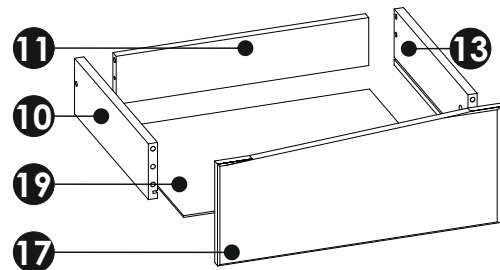
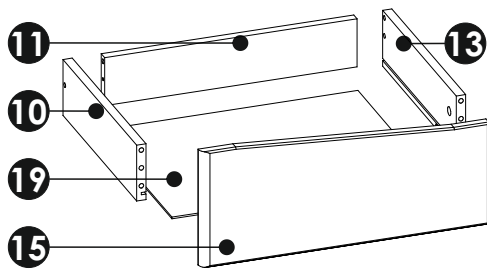
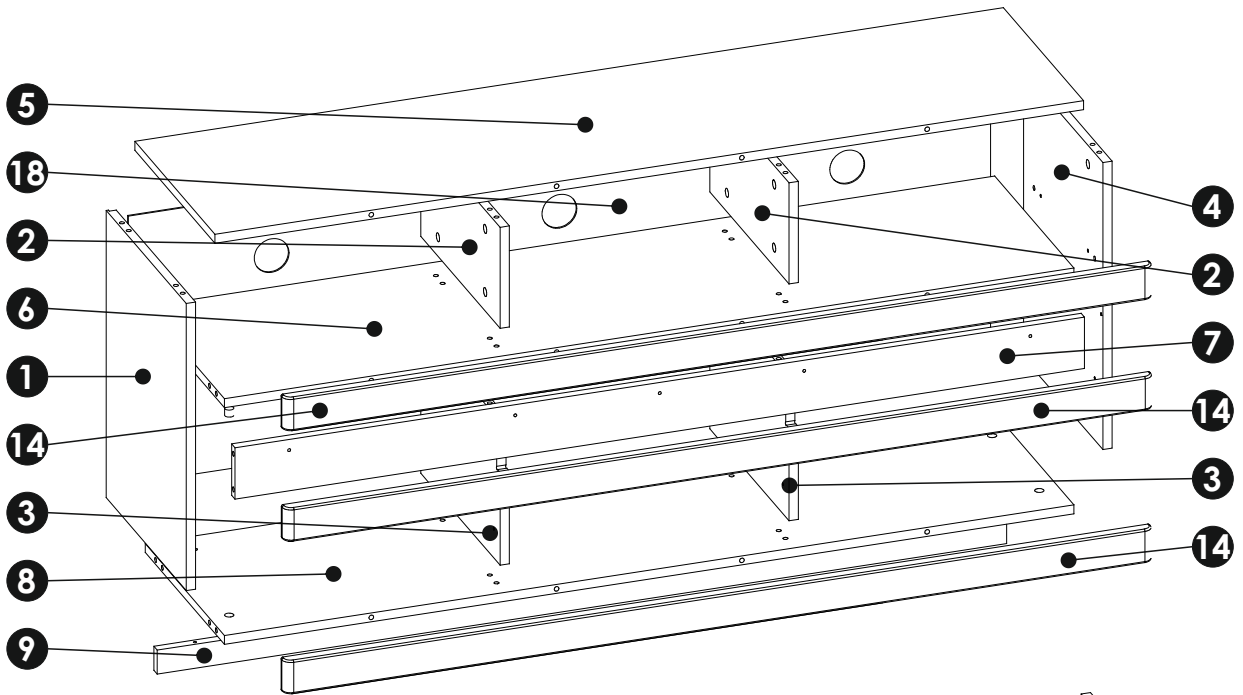
<b>A1</b> x 52 $\varnothing$ 8 x 35 mm 	<b>A3</b> x 4 $\varnothing$ 8 x 60 mm 	<b>C2</b> x 12 EURO 5 x 13 mm 
<b>E0</b> x 32 	<b>E1</b> x 32 $\varnothing$ 15 x 12 mm 	<b>F1</b> x 24 $\varnothing$ 6 x 34 mm 
<b>F4</b> x 4 $\varnothing$ 7 x 76 mm 	<b>G0</b> x 14 	<b>G1</b> x 14 $\varnothing$ 7 x 50 mm 
<b>I2</b> x 2 4 x 16 mm 	<b>I6</b> x 2 3,5 x 40 mm 	<b>I8</b> x 3 4 x 27 mm 
<b>M</b> x 1 	<b>N1</b> x 50 3 x 16 mm 	<b>N2</b> x 12 3,5 x 16 mm 
<b>O2</b> x 8 	<b>Q9</b> x 2 	<b>R4</b> x 3 
<b>T10</b> x 3 L-360 	<b>W</b> x 6 	<b>Z</b> x 1 

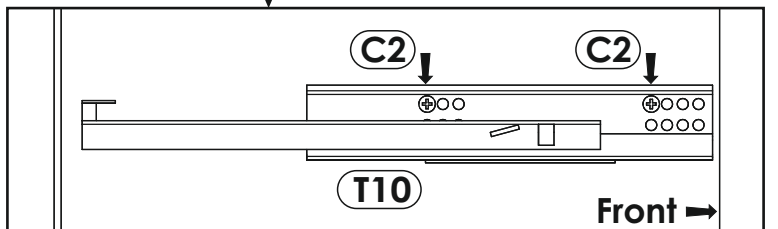
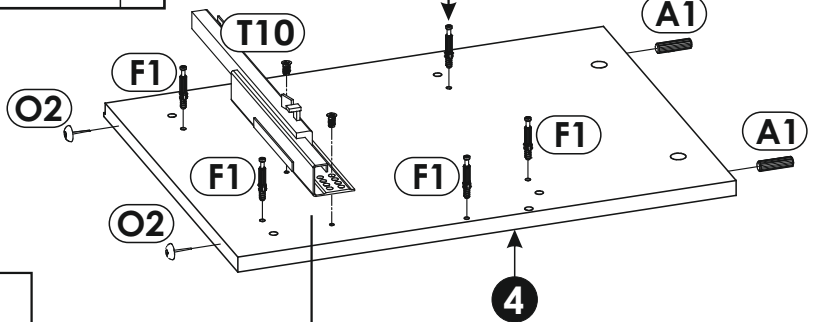
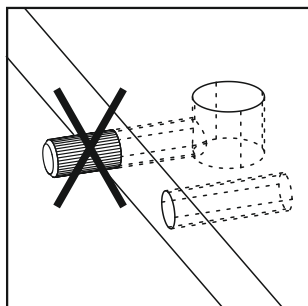
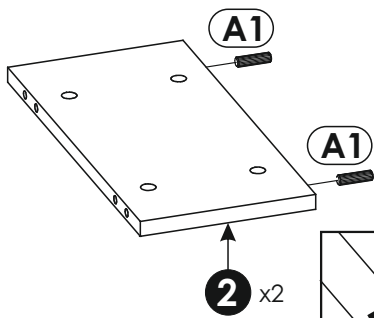
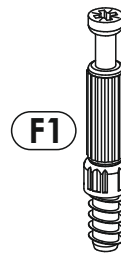
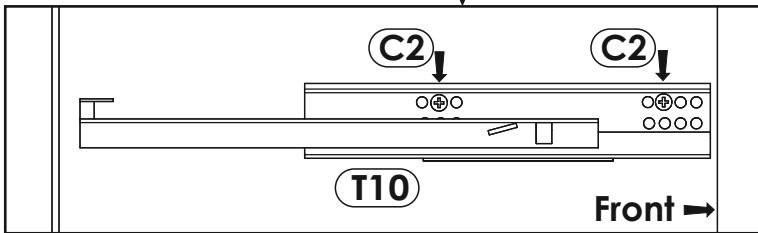
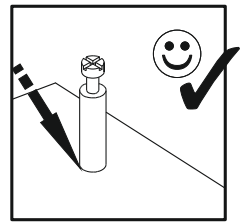
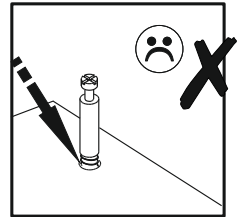
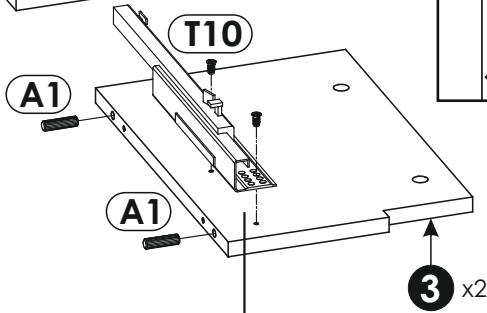
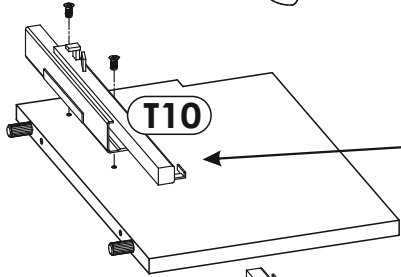
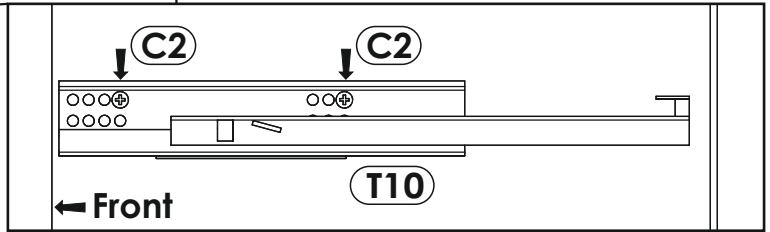
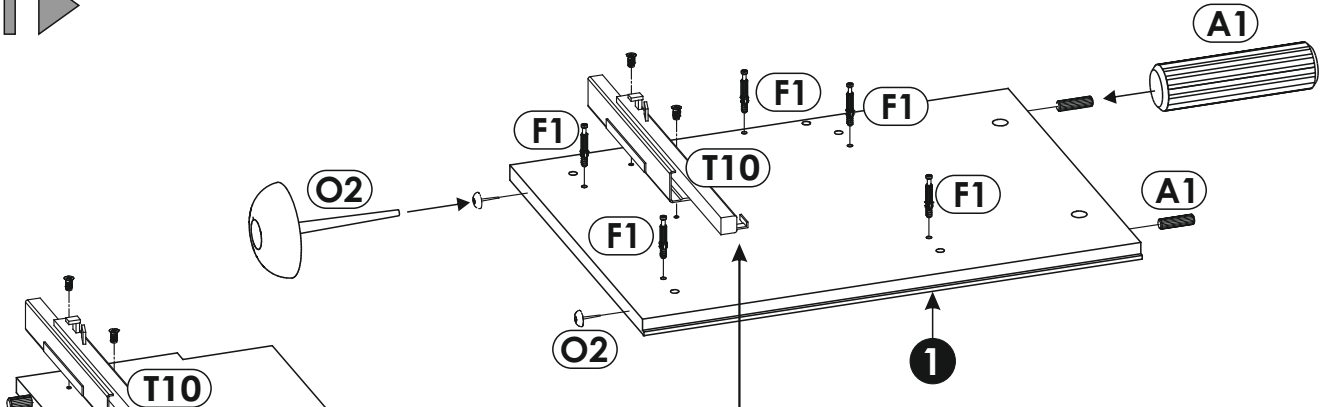
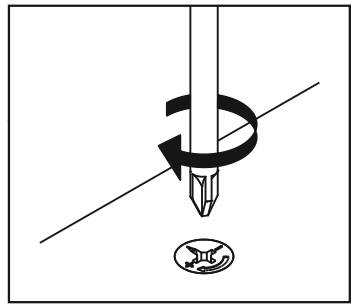
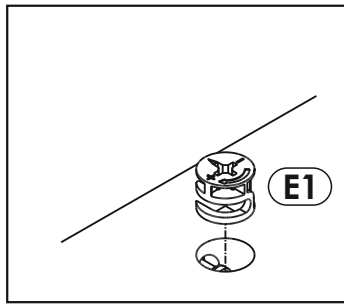
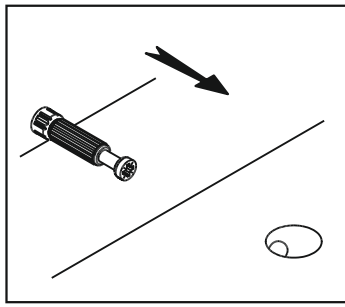
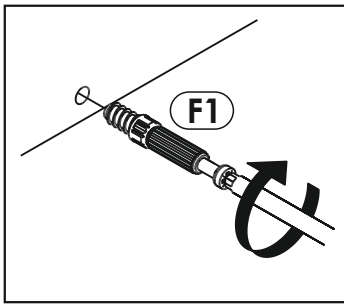




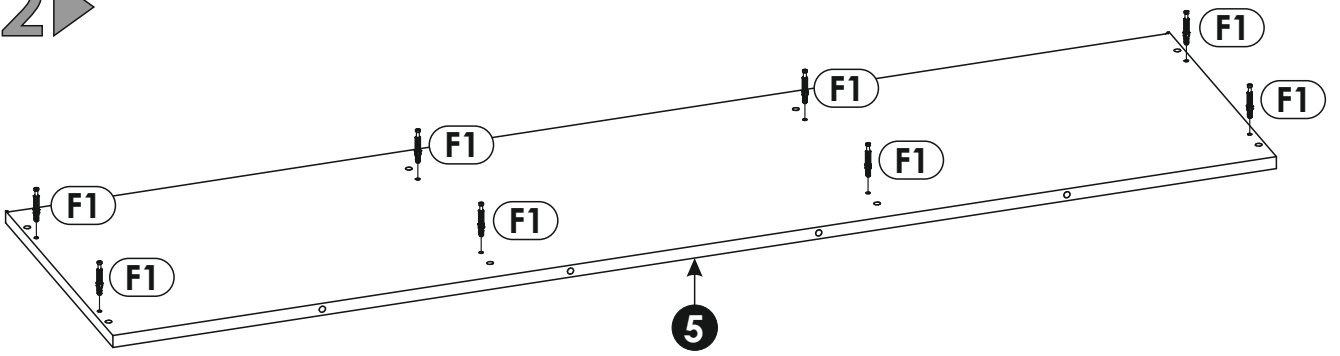
<b>1</b>	514	380	16	x1	1/2
<b>2</b>	181	376	16	x2	1/2
<b>3</b>	258	376	16	x2	1/2
<b>4</b>	514	380	16	x1	1/2
<b>5</b>	1500	380	16	x1	2/2
<b>6</b>	1467	376	16	x1	2/2
<b>7</b>	1467	92	16	x1	2/2
<b>8</b>	1476	376	16	x1	2/2
<b>9</b>	1467	43	16	x1	2/2
<b>10</b>	350	100	16	x3	1/2

<b>11</b>	436	86	16	x2	1/2
<b>12</b>	443	86	16	x1	1/2
<b>13</b>	350	100	16	x3	1/2
<b>14</b>	1500	60	19	x3	2/2
<b>15</b>	497	207	16	x1	2/2
<b>16</b>	497	182	16	x1	2/2
<b>17</b>	497	207	16	x1	2/2
<b>18</b>	1489	480	3	x1	1/2
<b>19</b>	451	355	3	x2	1/2
<b>20</b>	458	355	3	x3	1/2

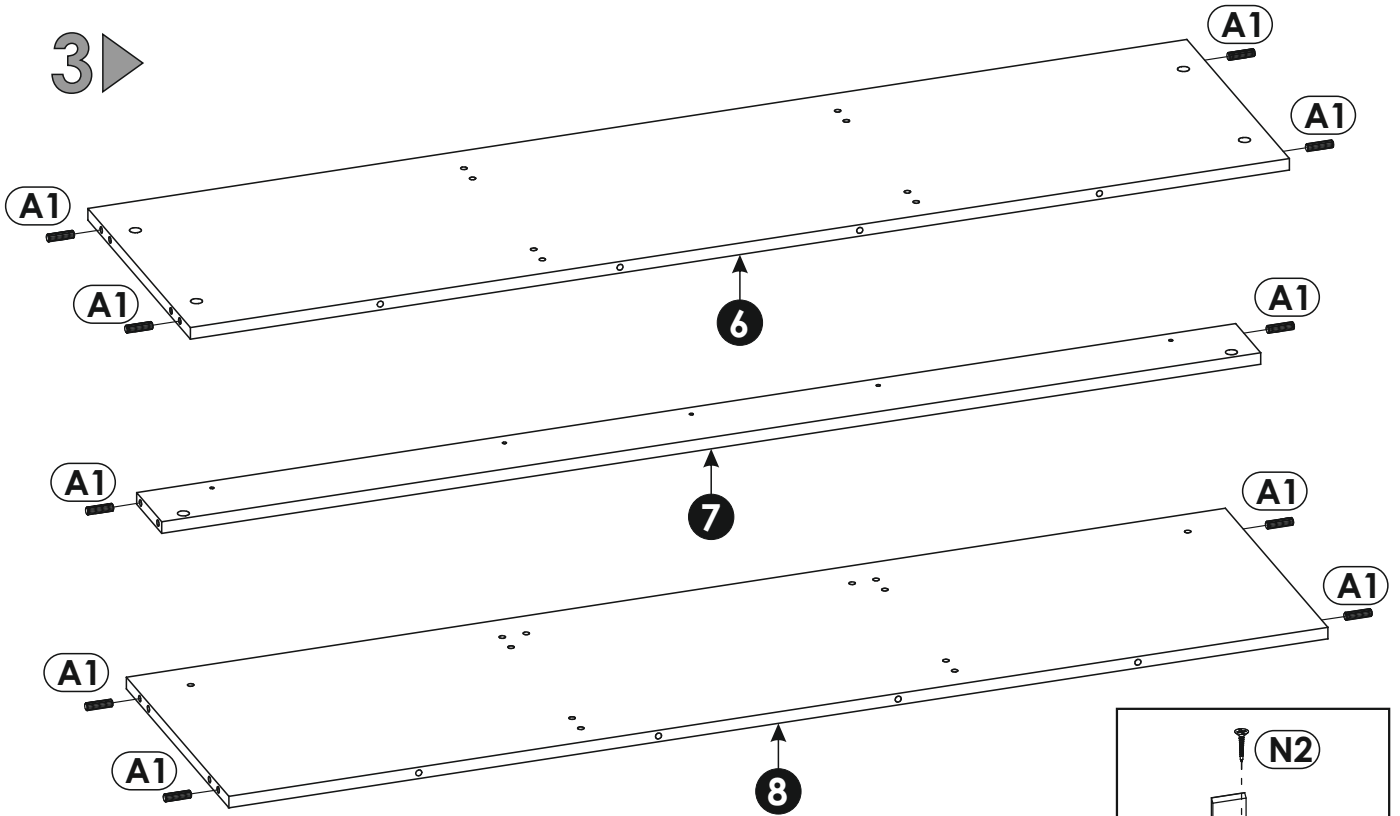




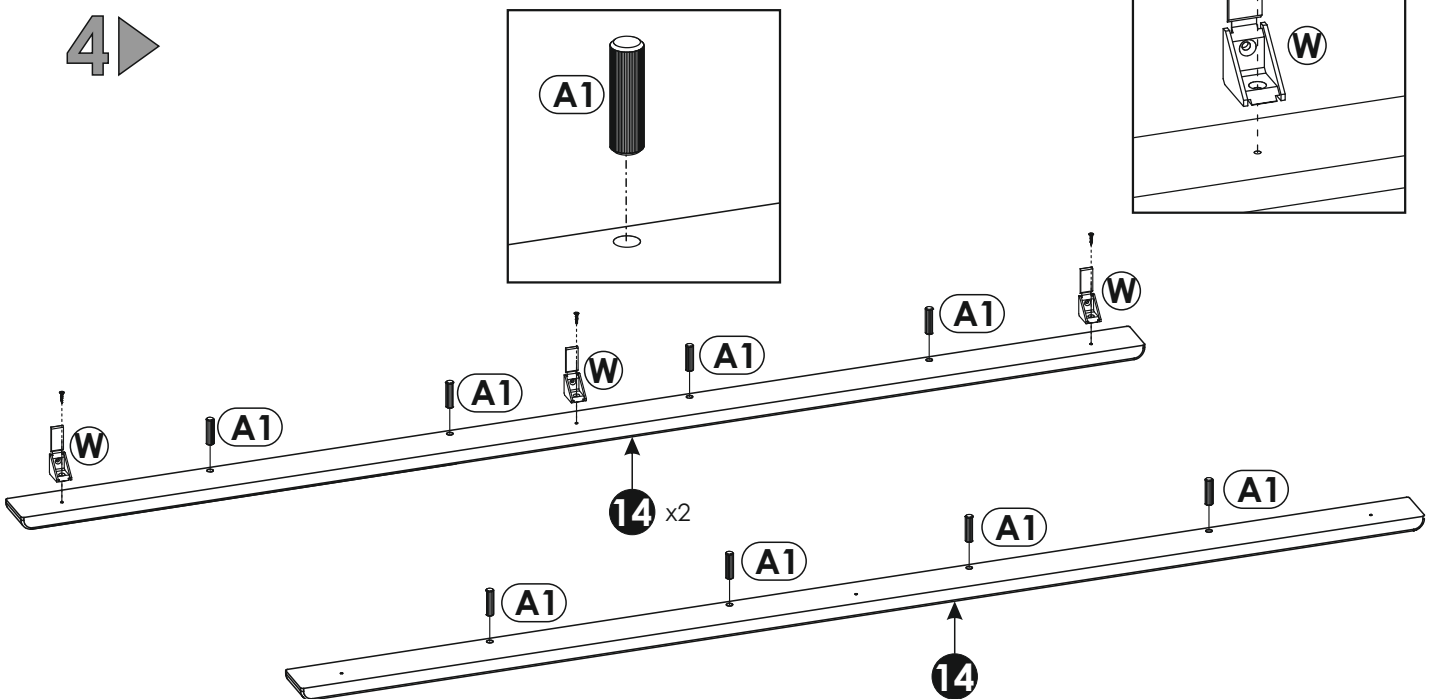
2 ▶



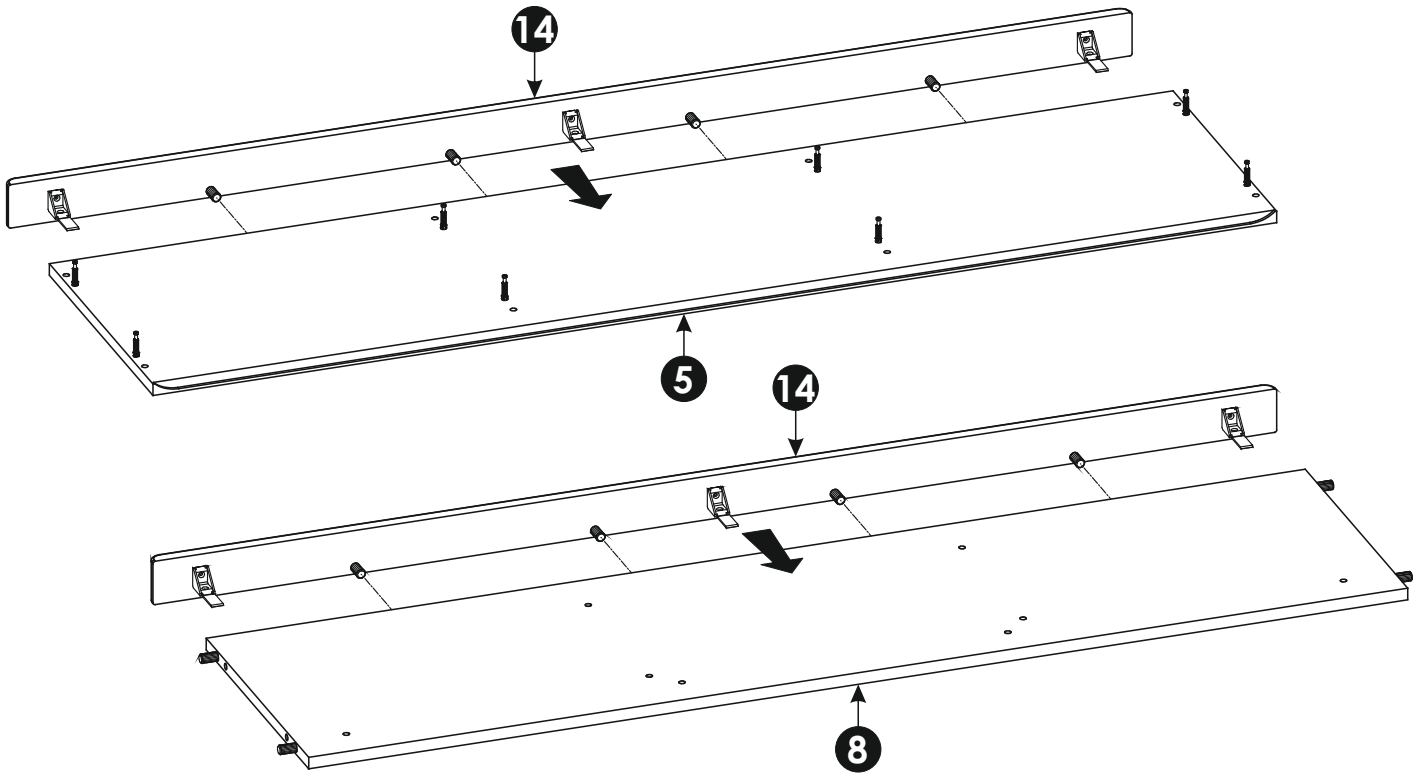
3 ▶



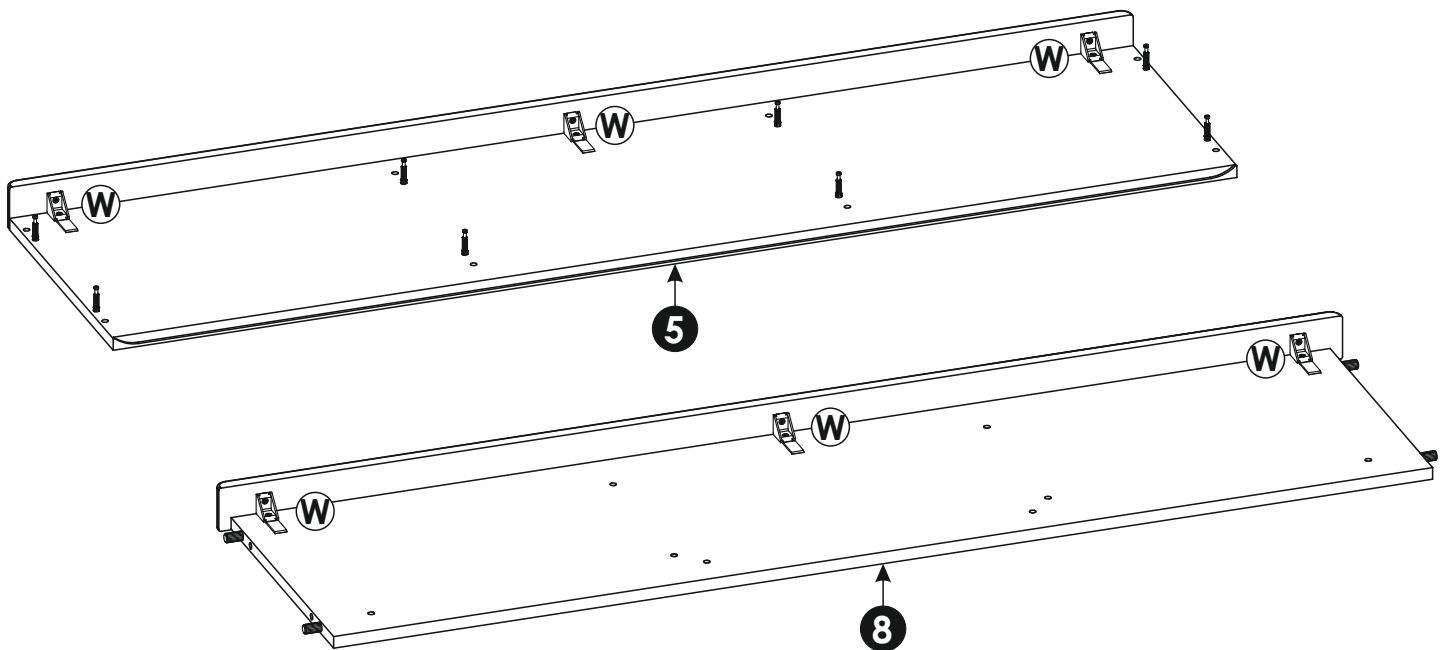
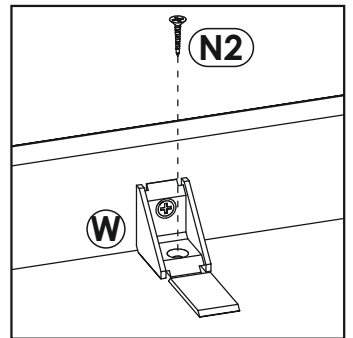
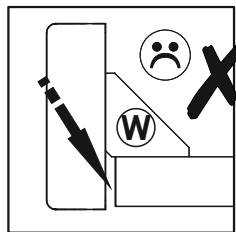
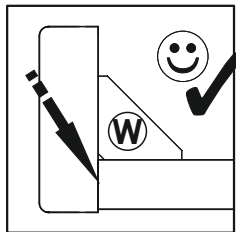
4 ▶



5 ▶

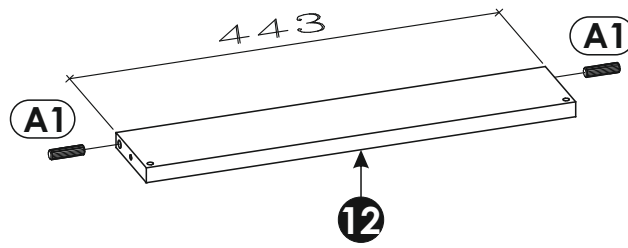
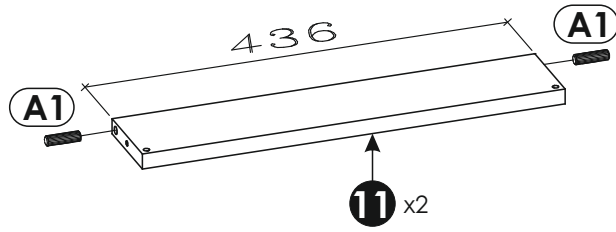
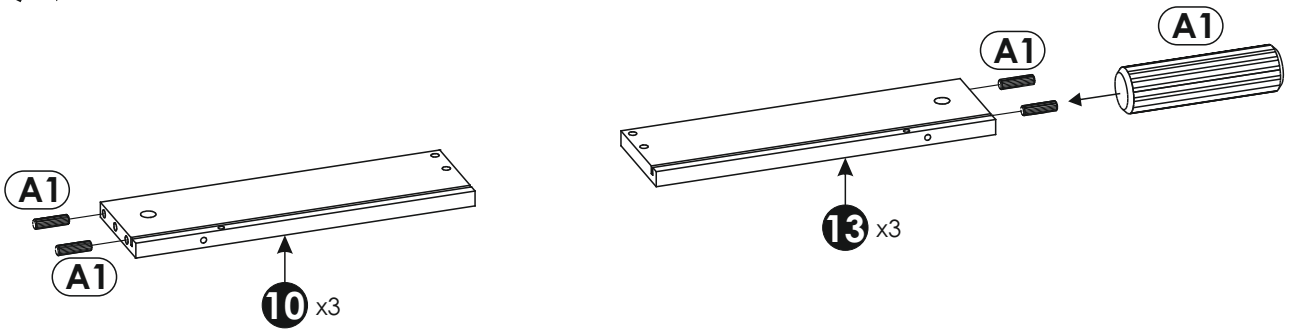


6 ▶

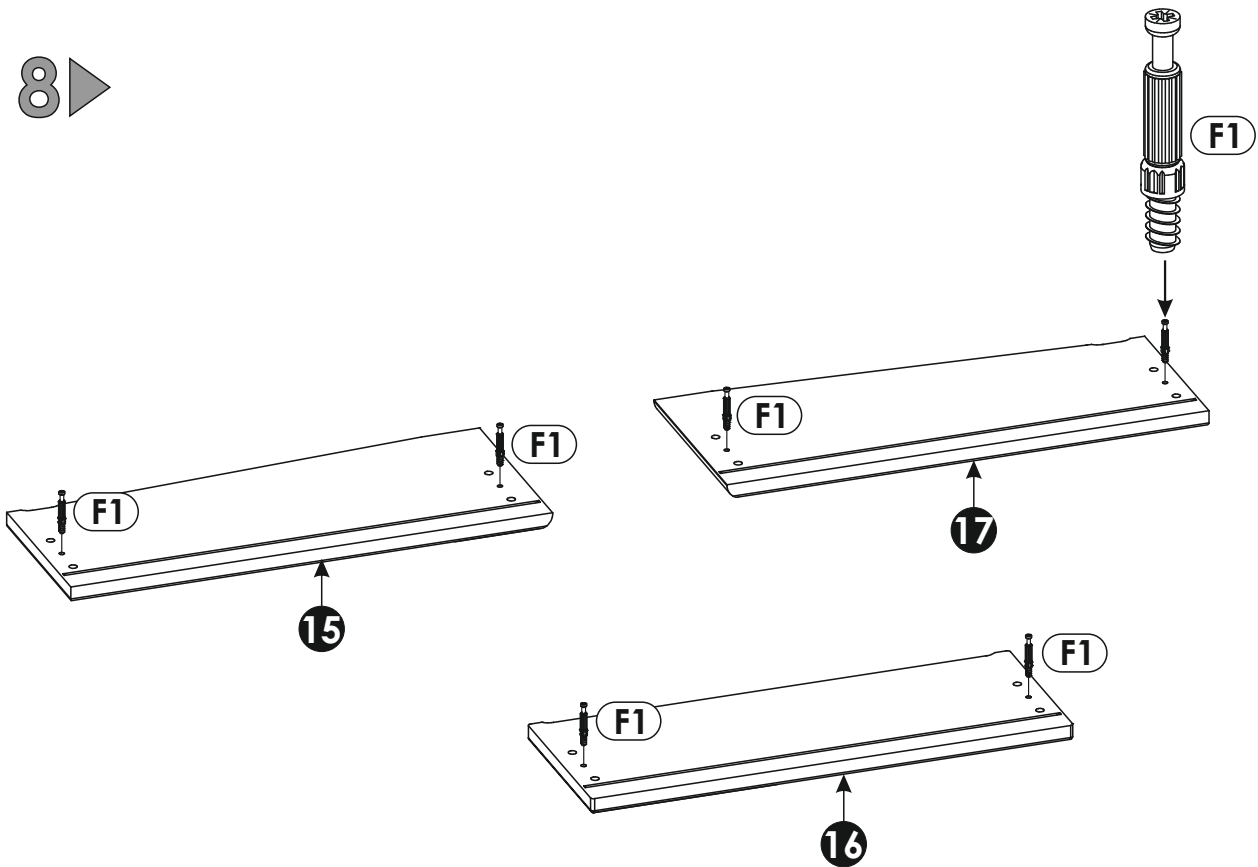




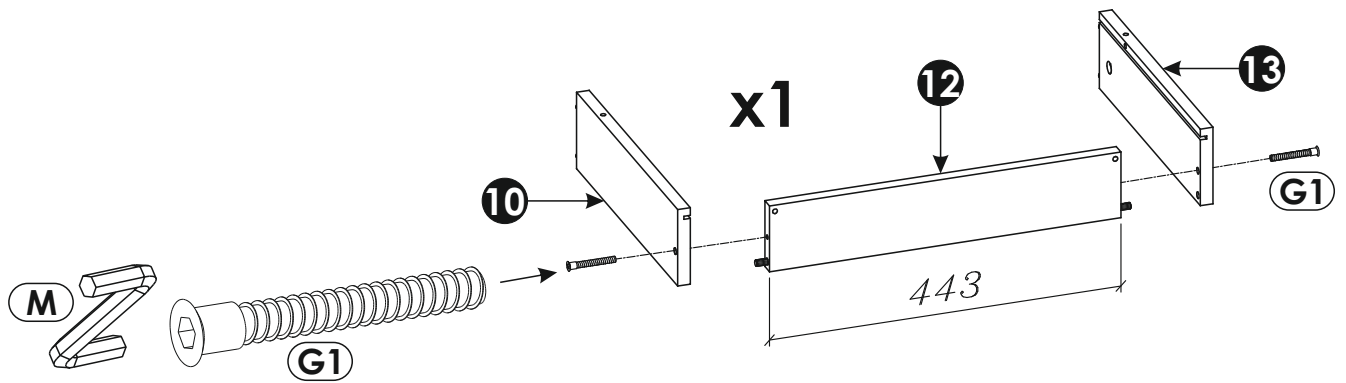
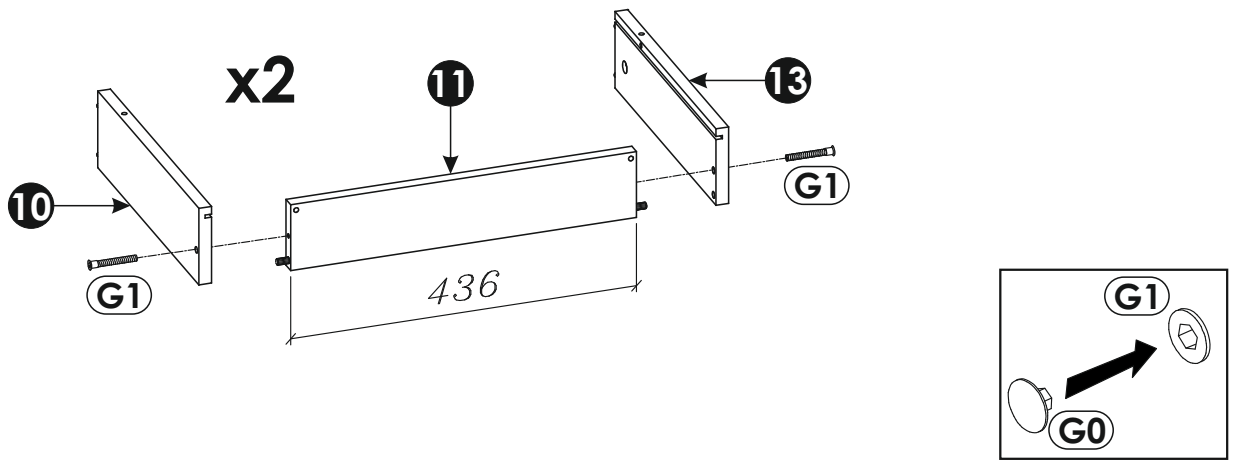
7 ▶



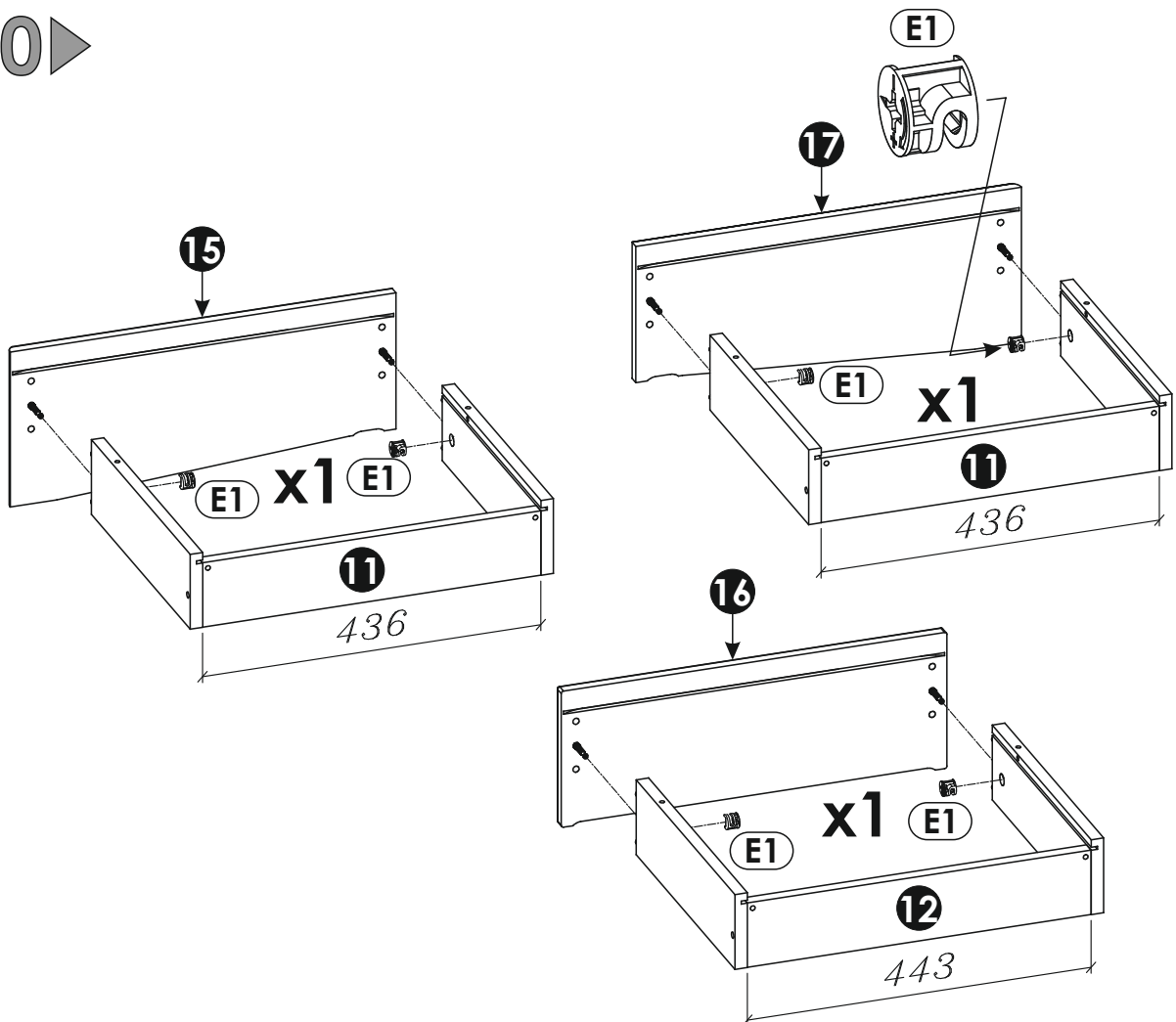
8 ▶



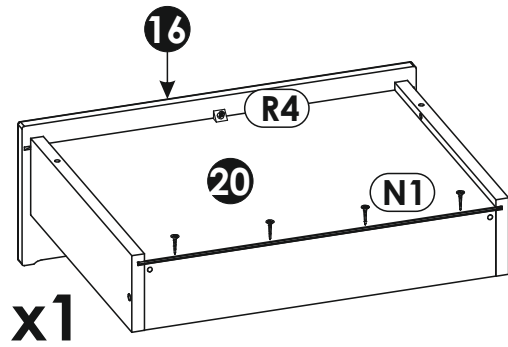
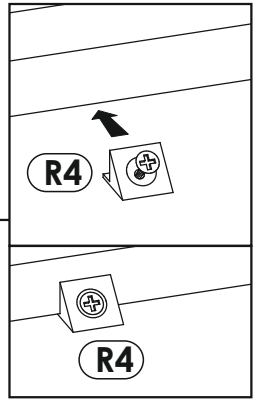
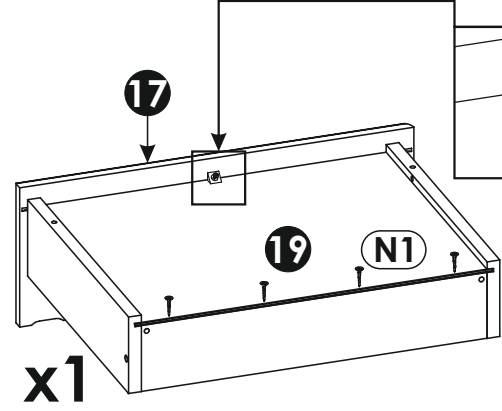
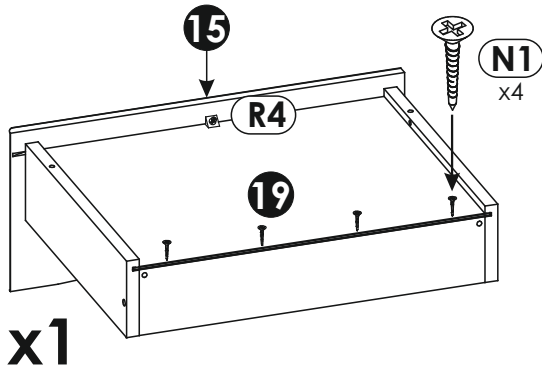
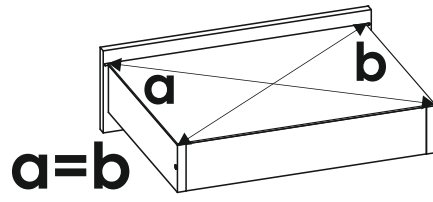
9 ▶



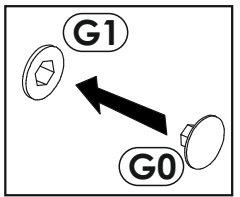
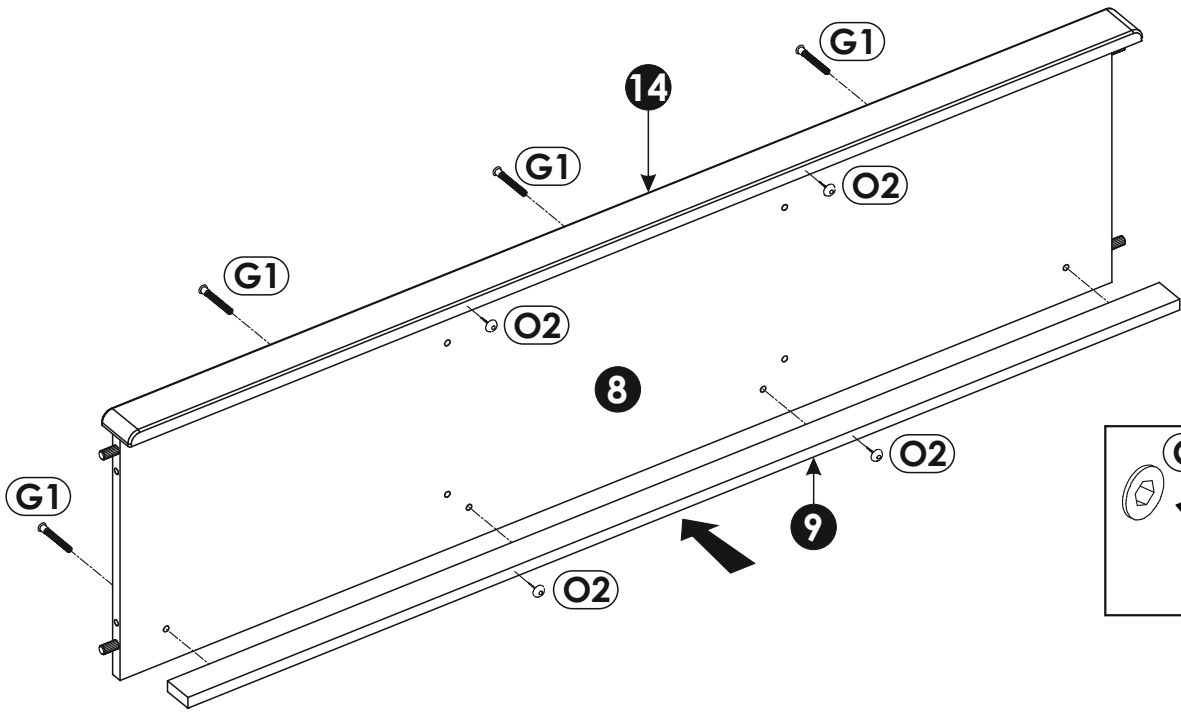
10 ▶



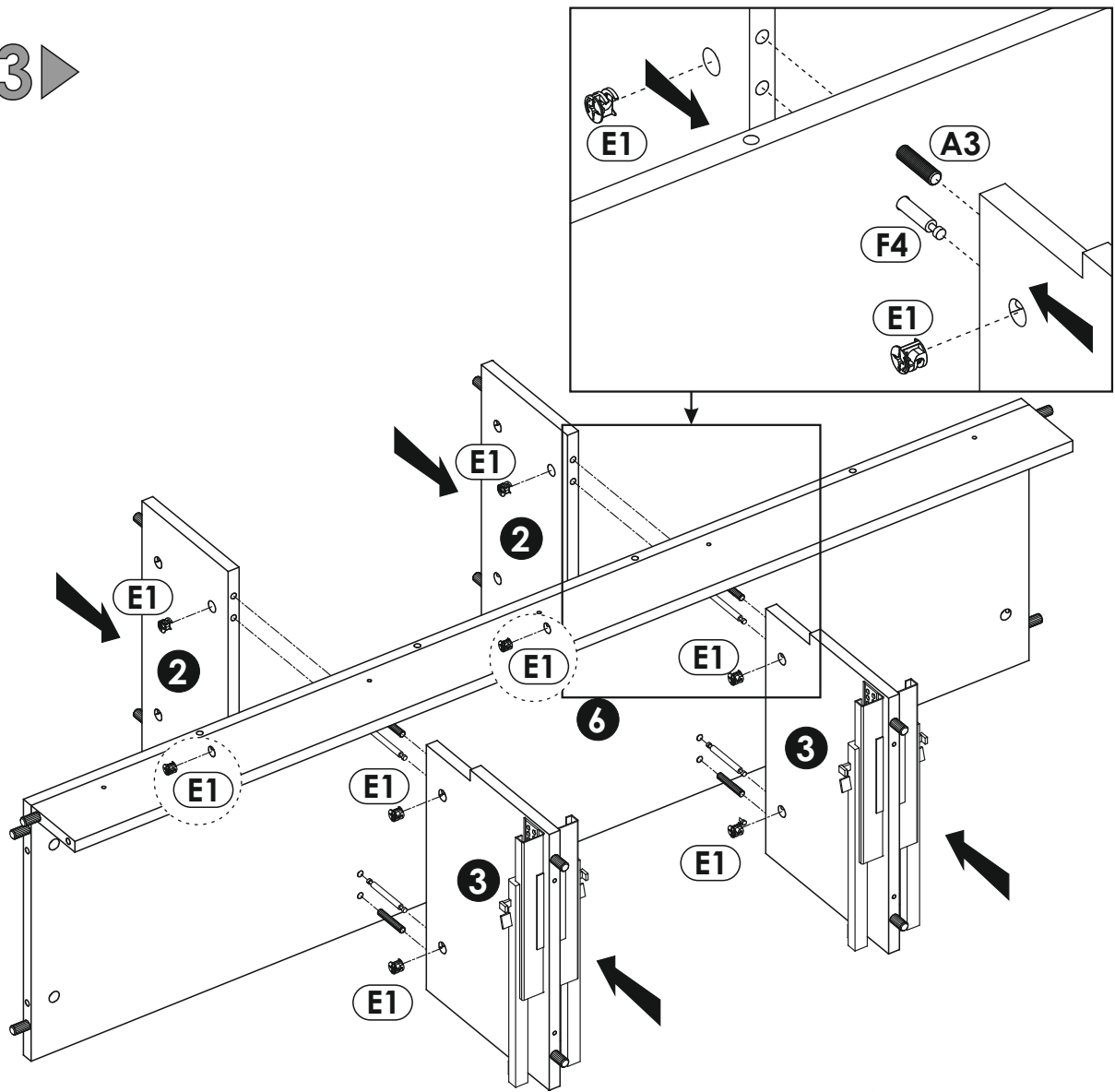
11 ▶



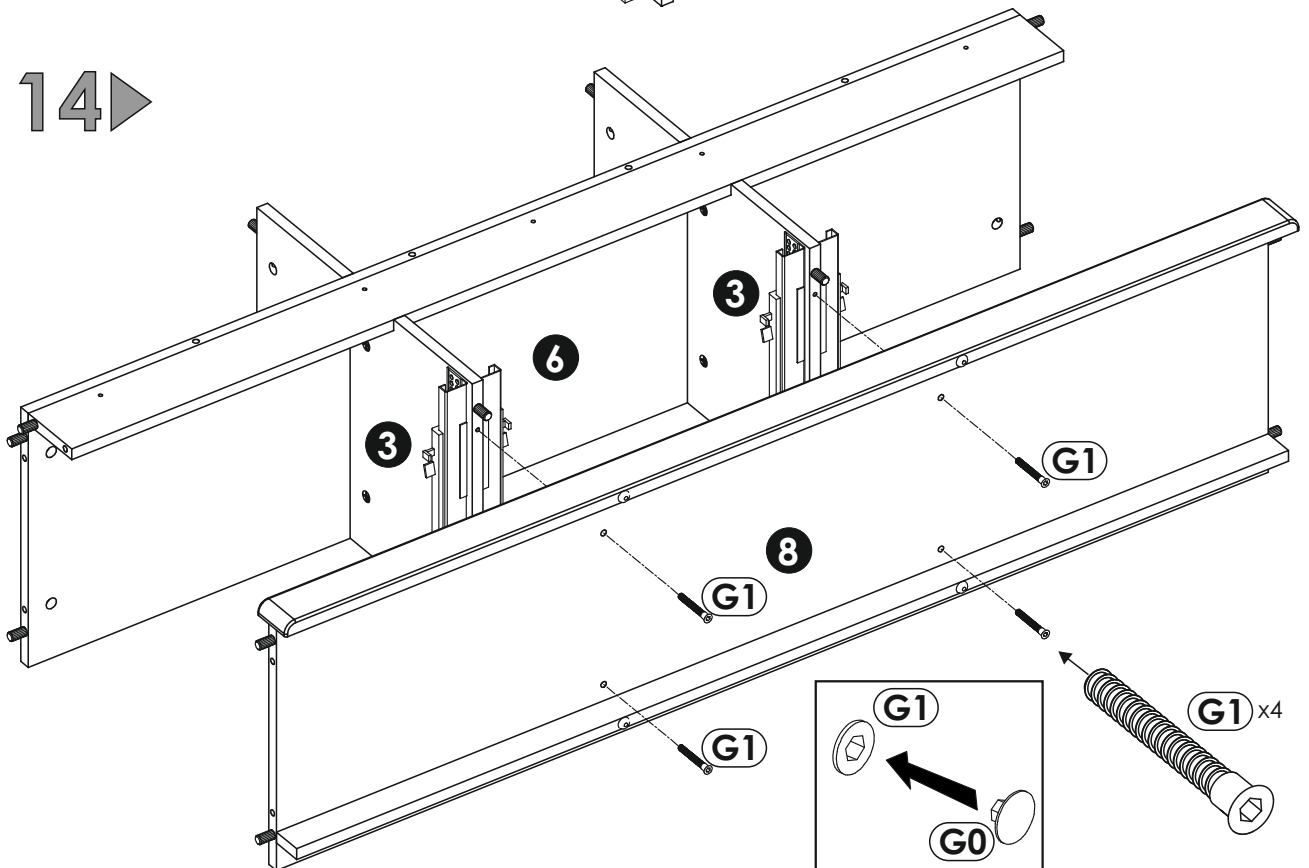
12 ▶



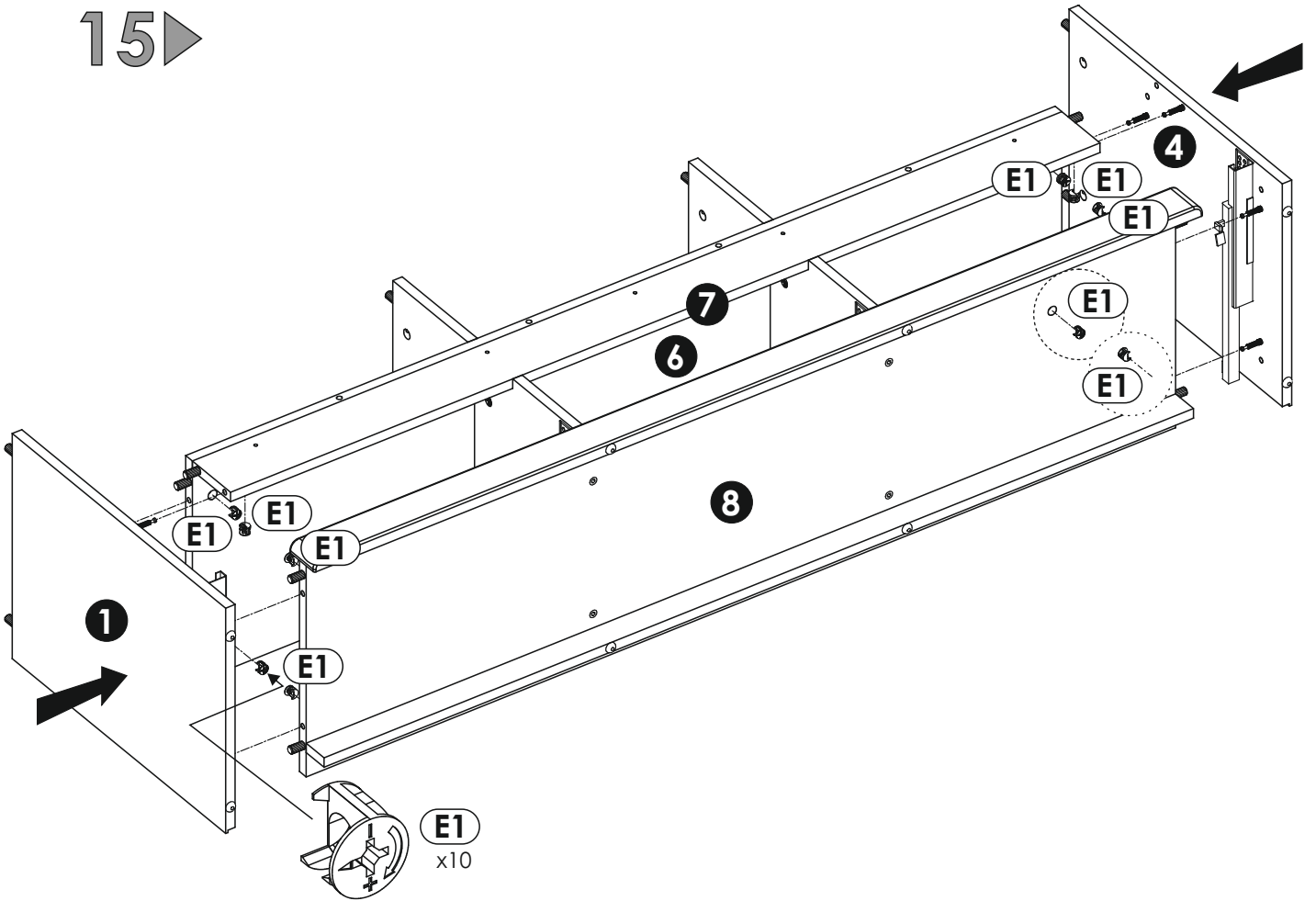
13▶



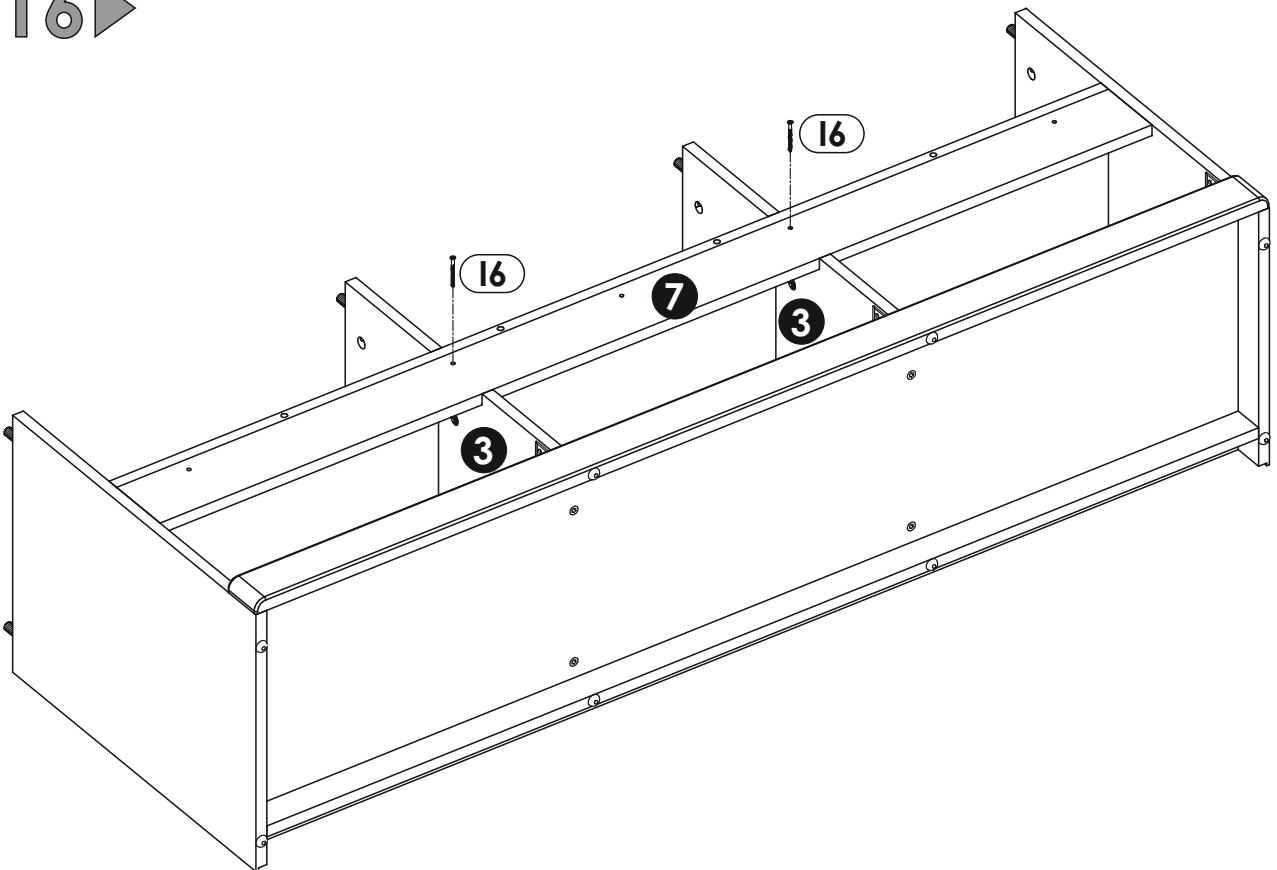
14▶



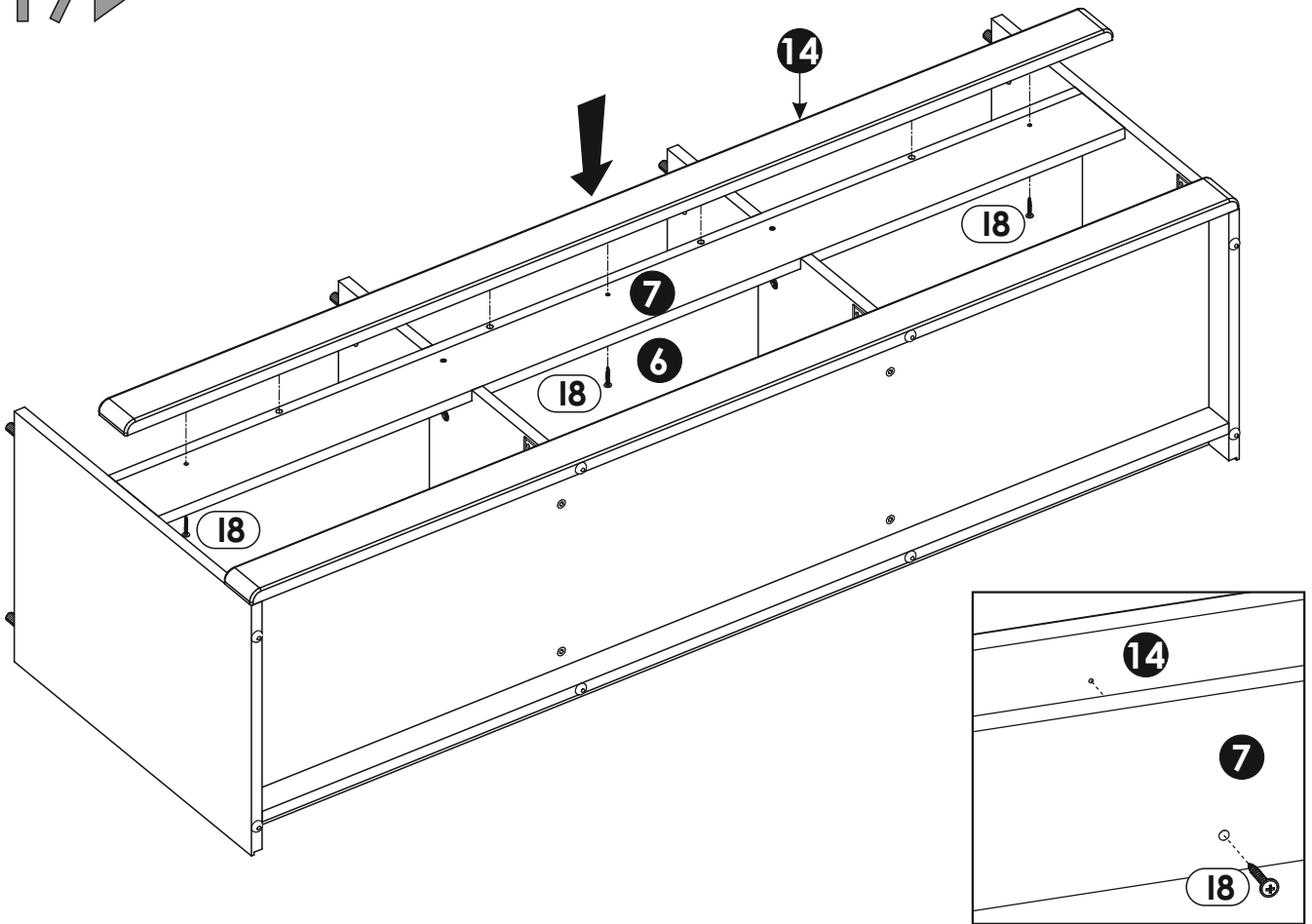
15 ▶



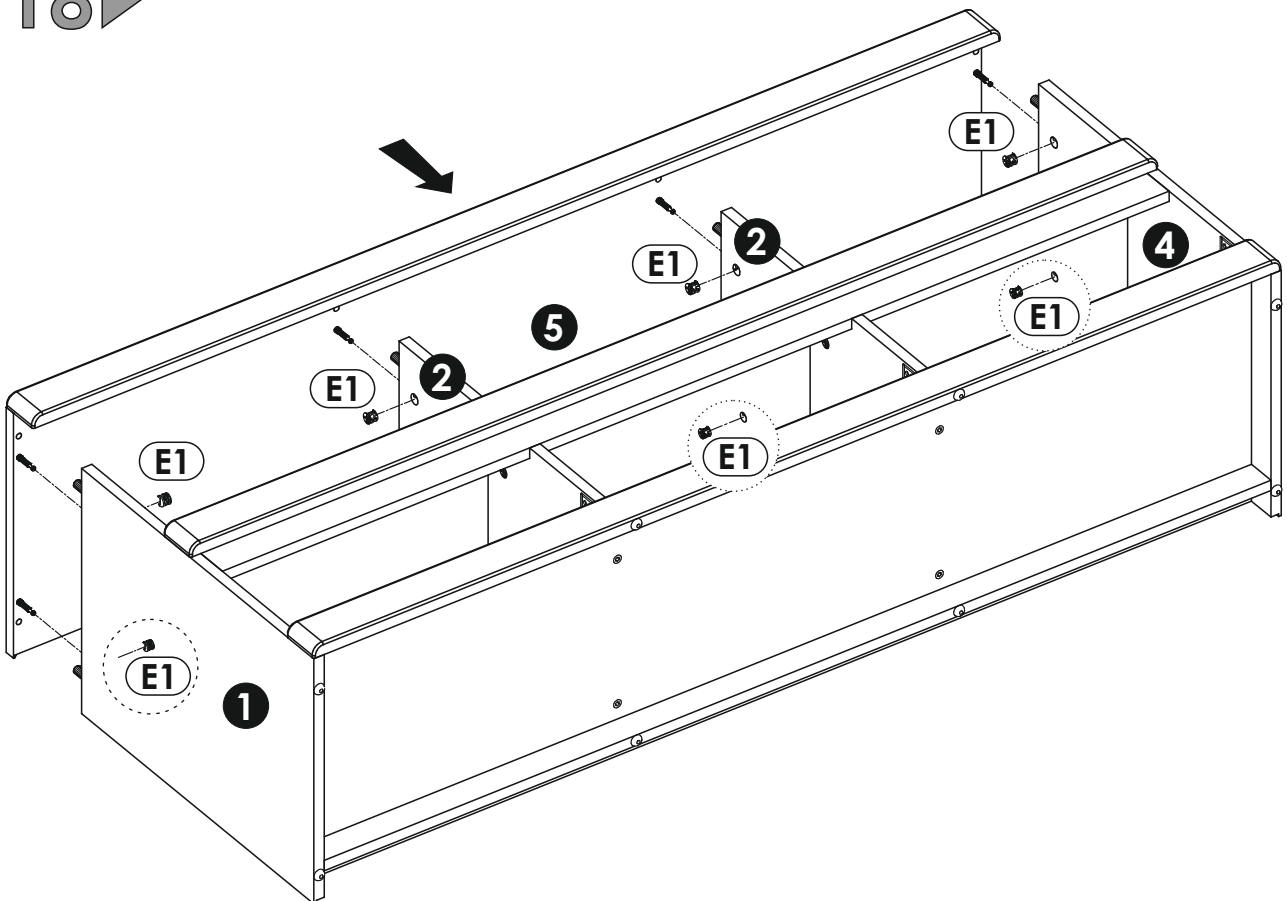
16 ▶



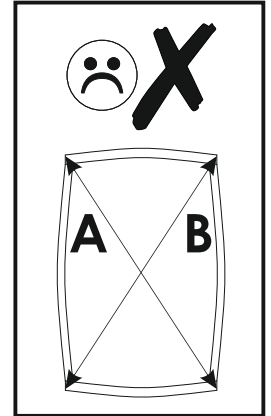
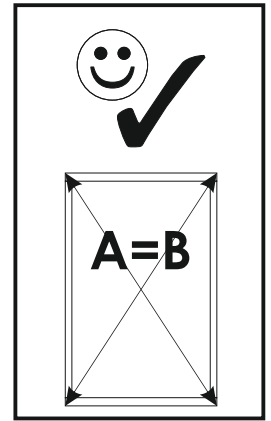
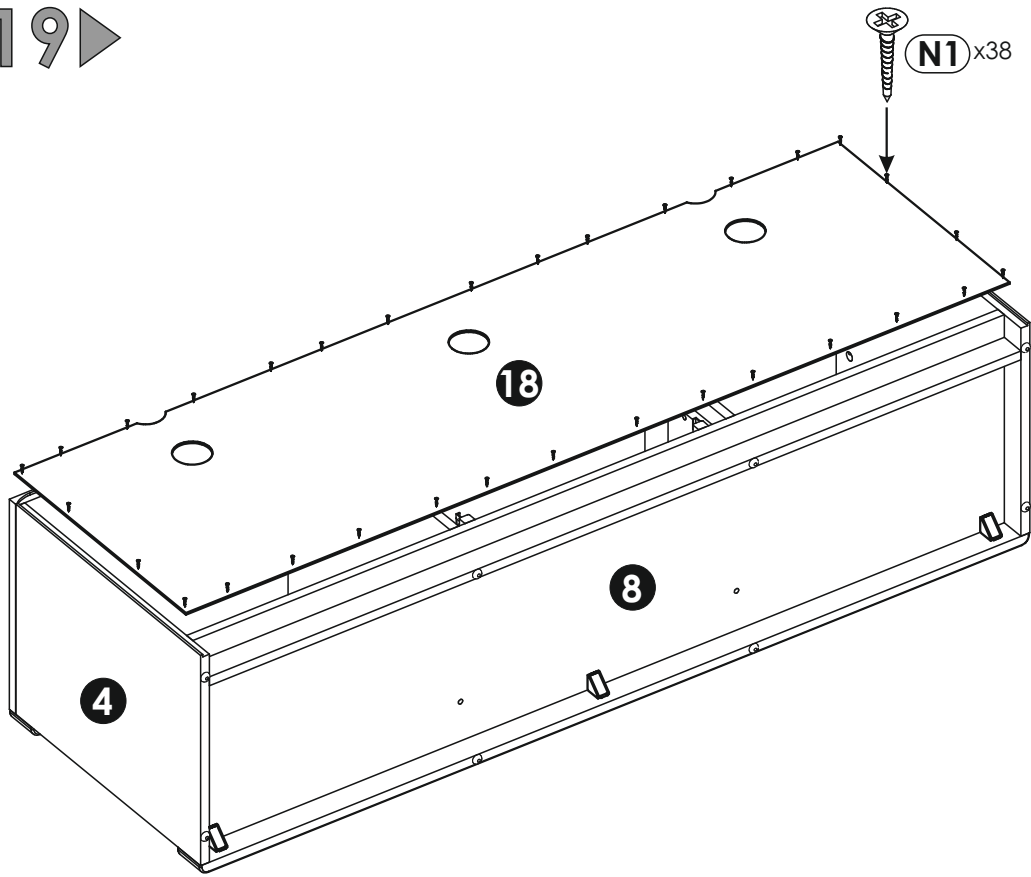
17▶



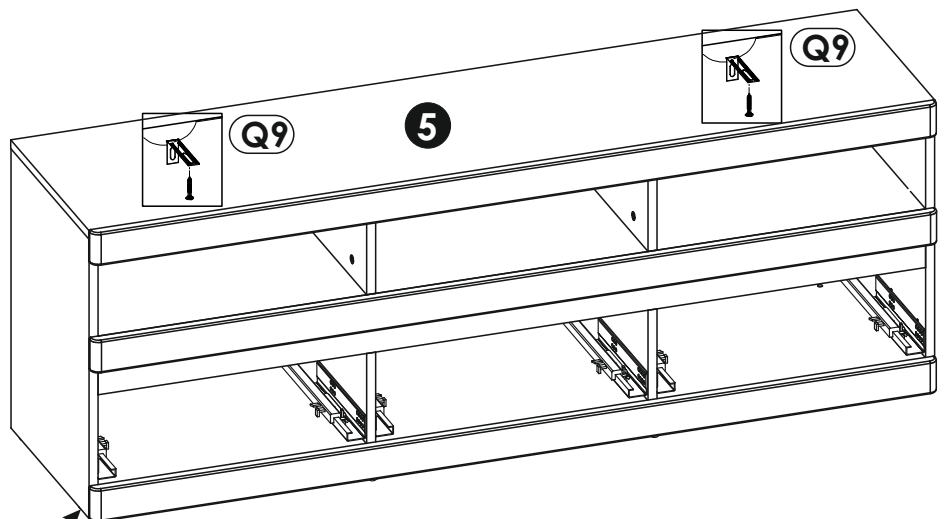
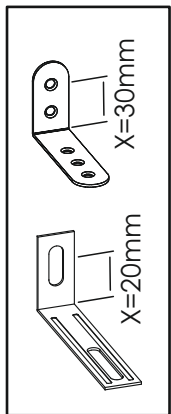
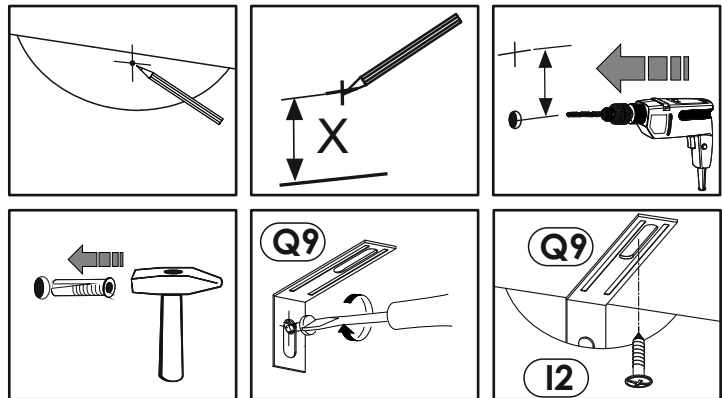
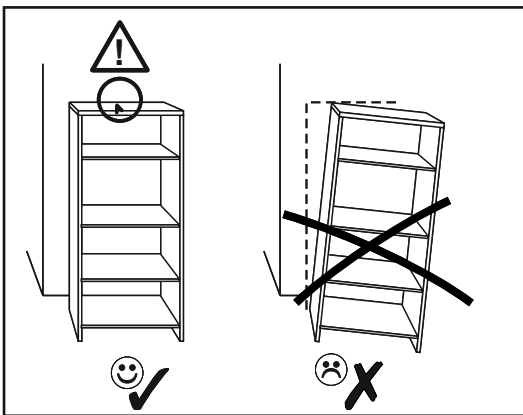
18▶



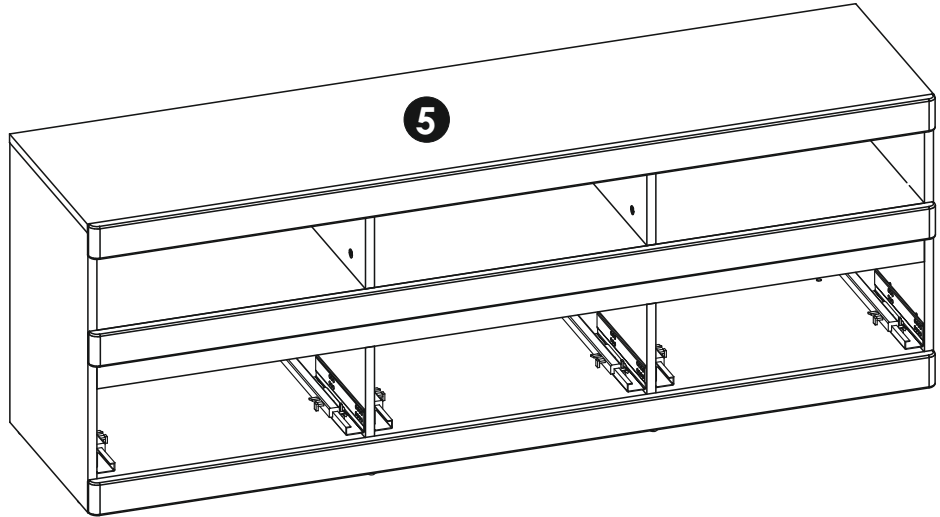
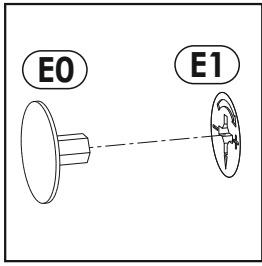
19 ▶



20 ▶



# 21▶



# 22▶

