

MM

260

250

240

230

220

210

200

190

180

170

160

150

140

130

120

110

100

90

80

70

60

50


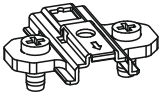
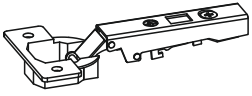


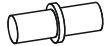
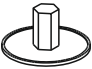





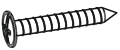
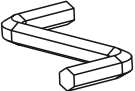


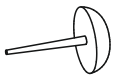

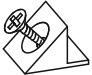
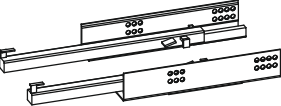
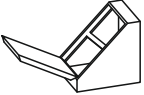
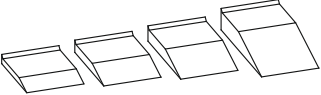
40

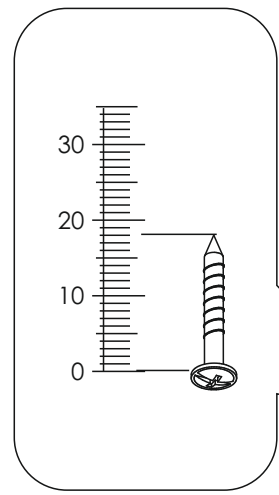
30

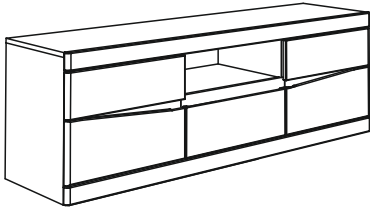
20

10

0

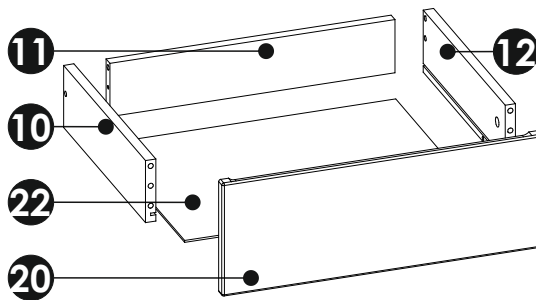
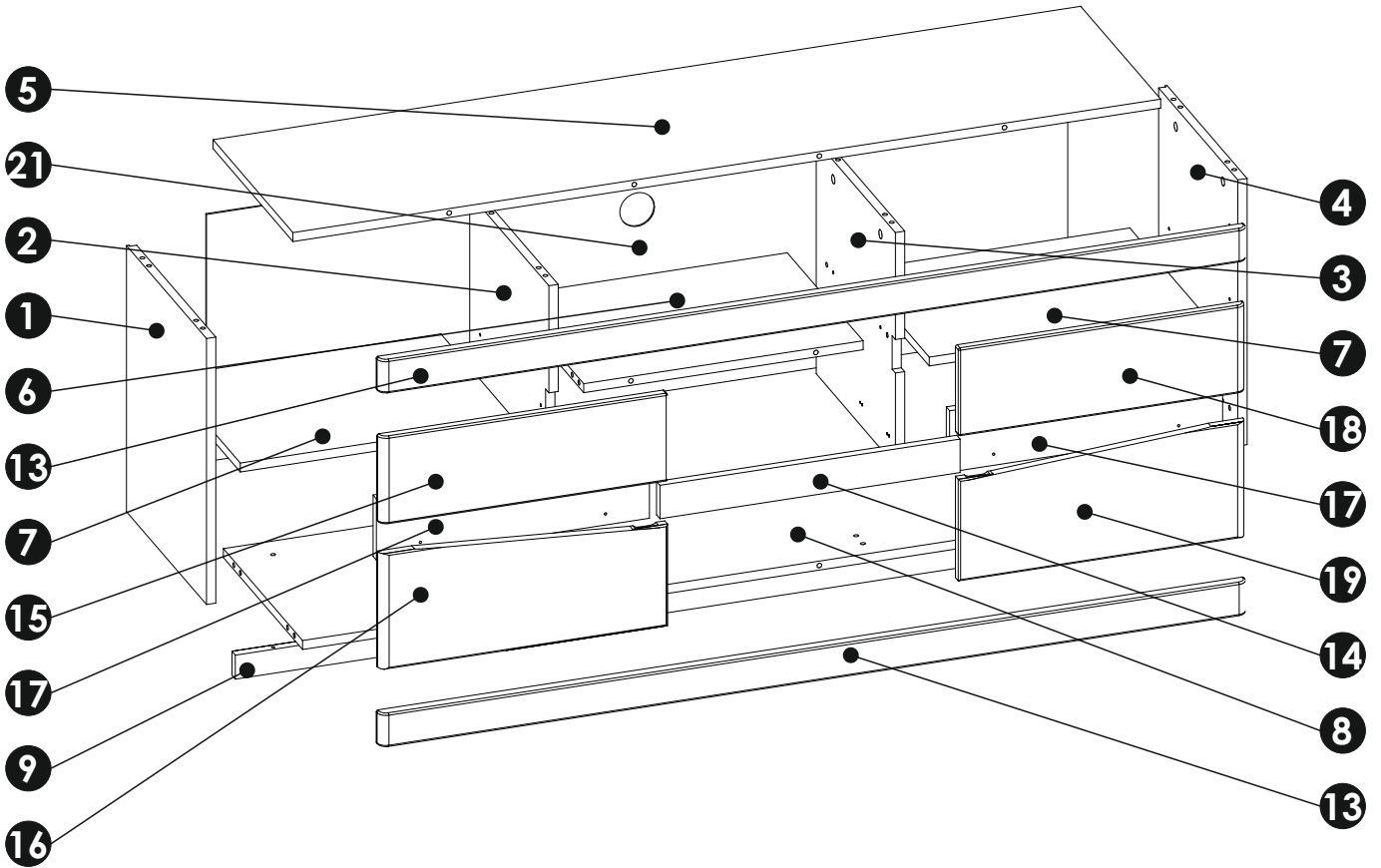
<p><b>A1</b> x36 <math>\varnothing 8 \times 35</math> mm</p> 	<p><b>BC0</b> x 4</p> 	<p><b>BC1</b> x 4</p> 
<p><b>C1</b> x 8 <math>4 \times 13</math> mm</p> 	<p><b>C2</b> x 4 <math>5 \times 13</math> mm</p> 	<p><b>D2</b> x 8</p> 
<p><b>E0</b> x 18</p> 	<p><b>E1</b> x 18 <math>\varnothing 15 \times 12</math> mm</p> 	<p><b>F1</b> x 18 <math>\varnothing 6 \times 34</math> mm</p> 
<p><b>G0</b> x 10</p> 	<p><b>G1</b> x 10 <math>\varnothing 7 \times 50</math> mm</p> 	<p><b>I2</b> x 2 <math>4 \times 16</math> mm</p> 
<p><b>I8</b> x 8 <math>4 \times 27</math> mm</p> 	<p><b>M</b> x 1</p> 	<p><b>N1</b> x 40 <math>3 \times 16</math> mm</p> 
<p><b>N2</b> x 16 <math>3,5 \times 16</math> mm</p> 	<p><b>O2</b> x 8</p> 	<p><b>Q9</b> x 2</p> 
<p><b>R4</b> x 1</p> 	<p><b>T10</b> x 1 L-360</p> 	<p><b>W</b> x 8</p> 
<p><b>Z</b> x 1</p> 		

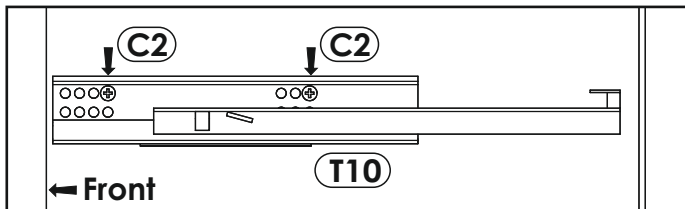
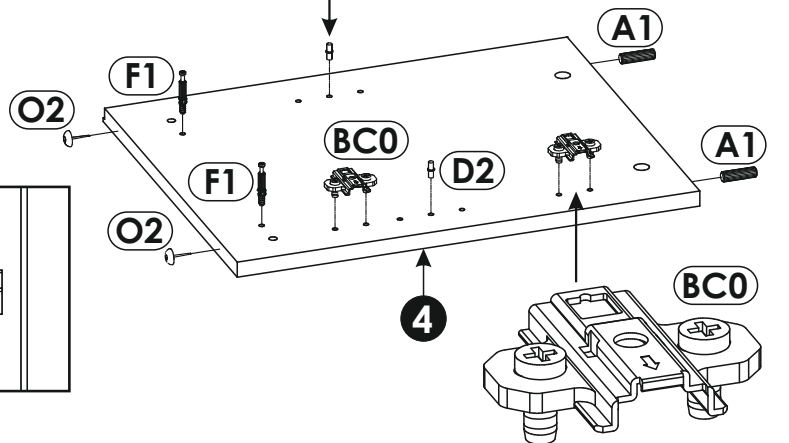
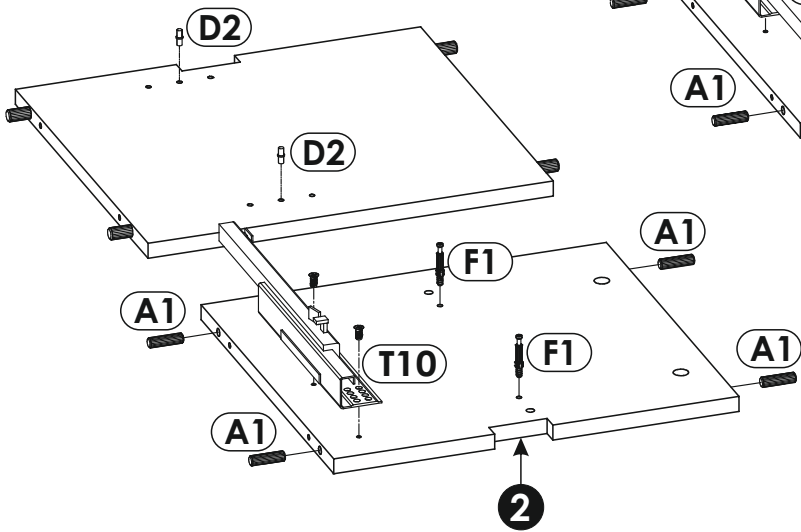
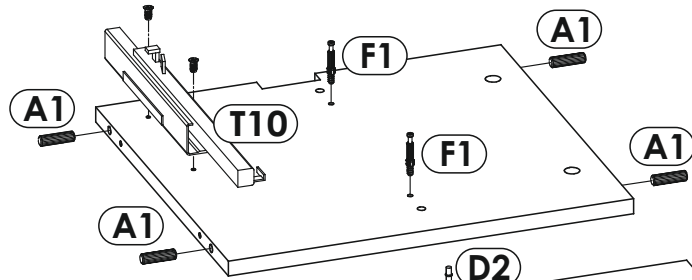
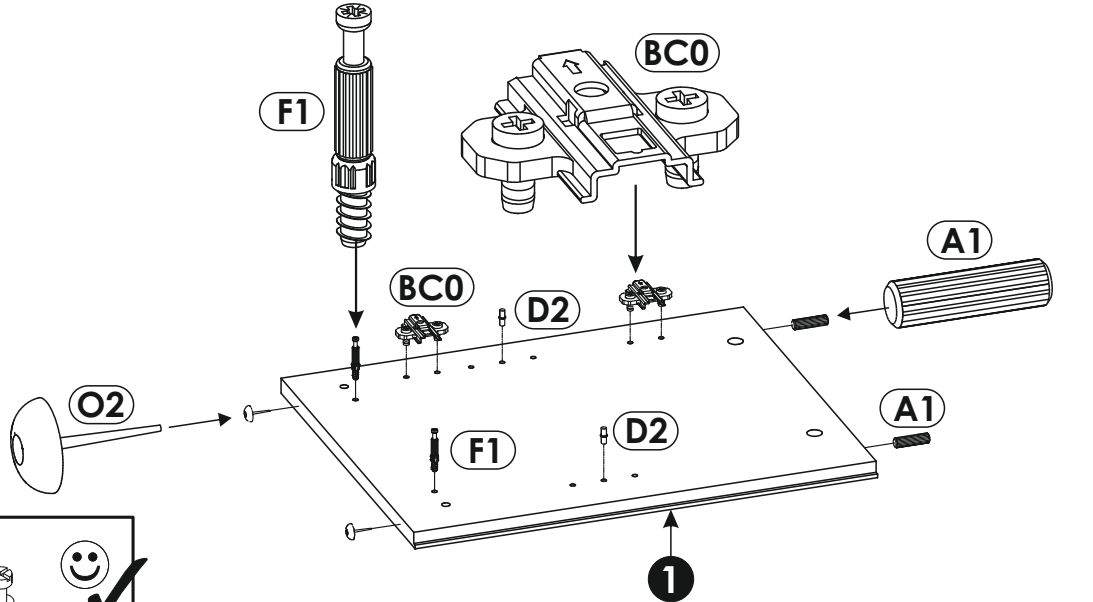
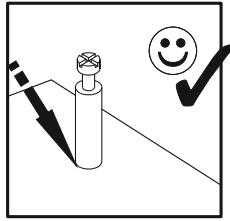
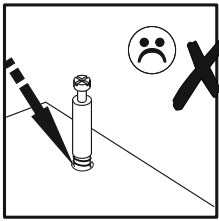
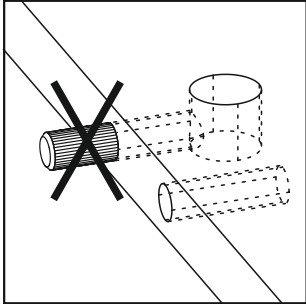
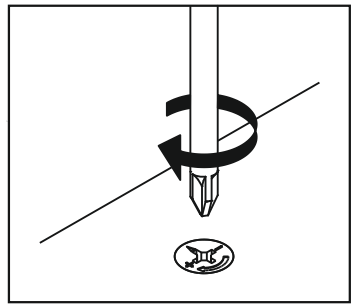
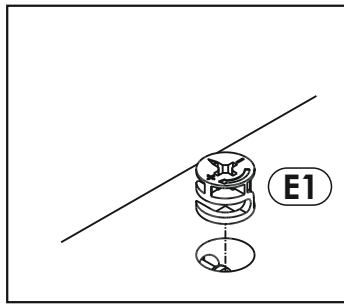
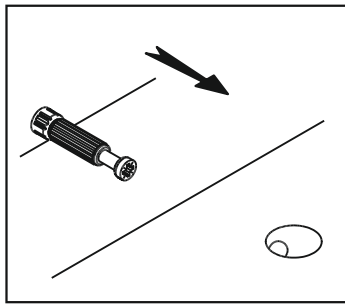
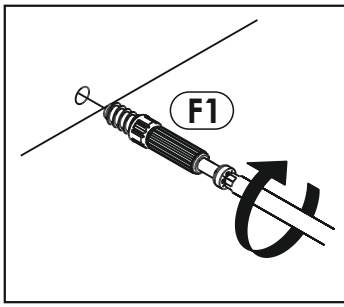




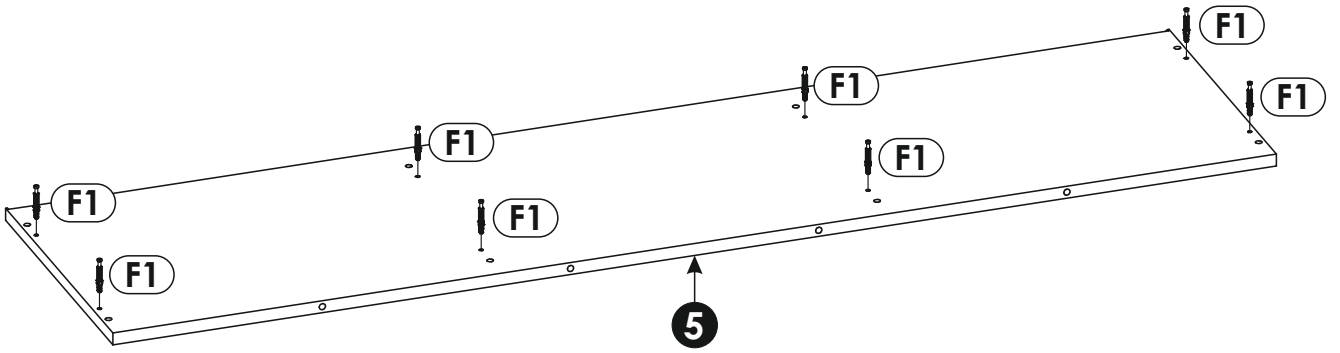
<b>1</b>	477	380	16	x1	1/2
<b>2</b>	418	376	16	x1	1/2
<b>3</b>	418	376	16	x1	1/2
<b>4</b>	477	380	16	x1	1/2
<b>5</b>	1500	380	16	x1	2/2
<b>6</b>	483	360	16	x1	1/2
<b>7</b>	476	355	16	x2	1/2
<b>8</b>	1476	376	16	x1	2/2
<b>9</b>	1467	43	16	x1	2/2
<b>10</b>	350	100	16	x1	1/2
<b>11</b>	436	86	16	x1	1/2

<b>12</b>	350	100	16	x1	1/2
<b>13</b>	1500	60	19	x2	2/2
<b>14</b>	517	60	16	x1	2/2
<b>15</b>	497	157	16	x1	2/2
<b>16</b>	497	207	16	x1	2/2
<b>17</b>	470	110	16	x2	2/2
<b>18</b>	497	157	16	x1	2/2
<b>19</b>	497	207	3	x1	2/2
<b>20</b>	497	182	16	x1	1/2
<b>21</b>	1489	443	3	x1	2/2
<b>22</b>	458	355	3	x1	1/2

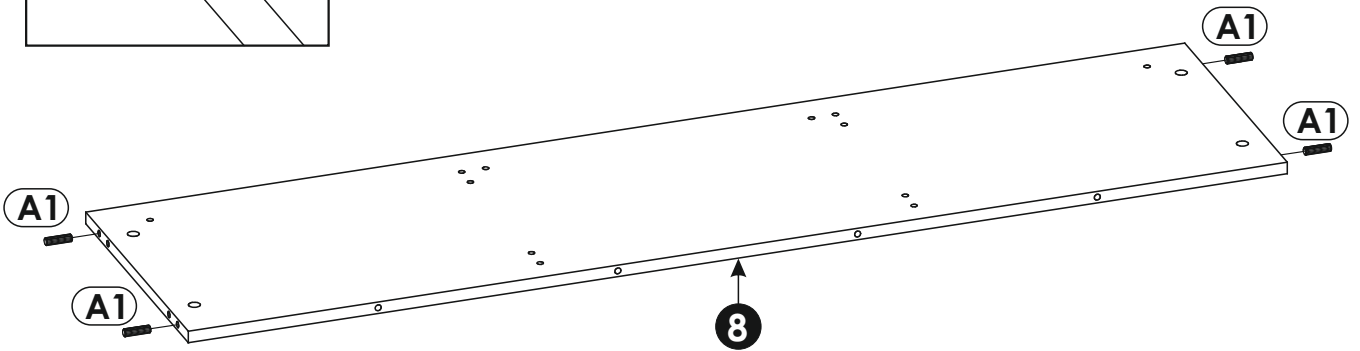
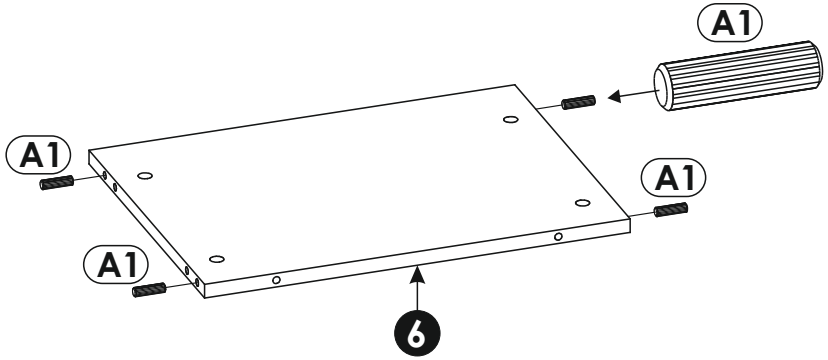
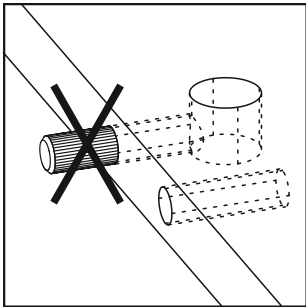




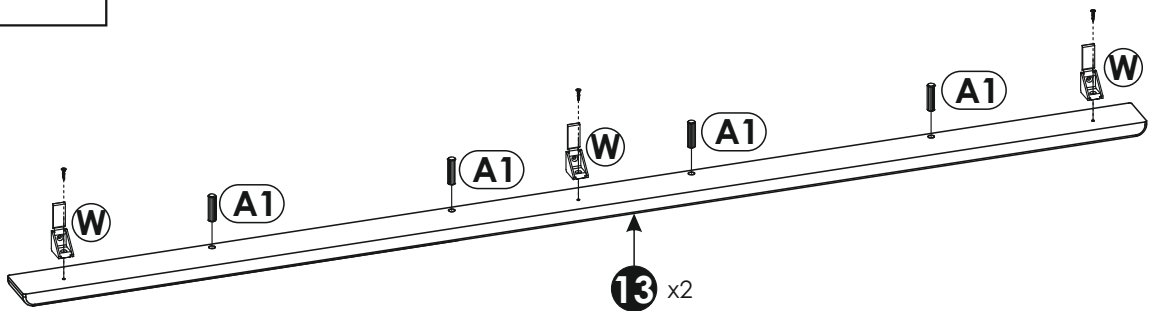
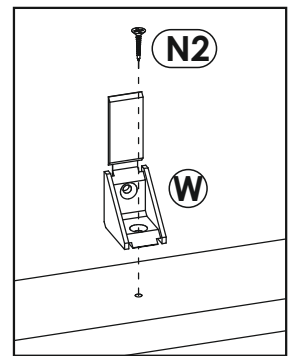
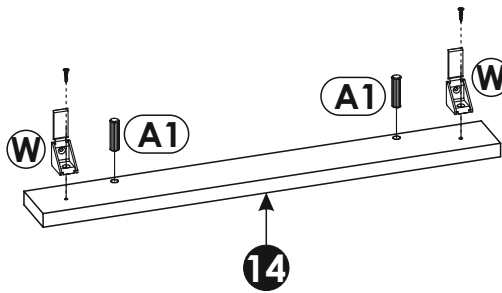
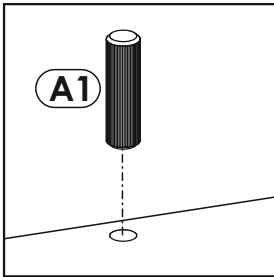
2▶



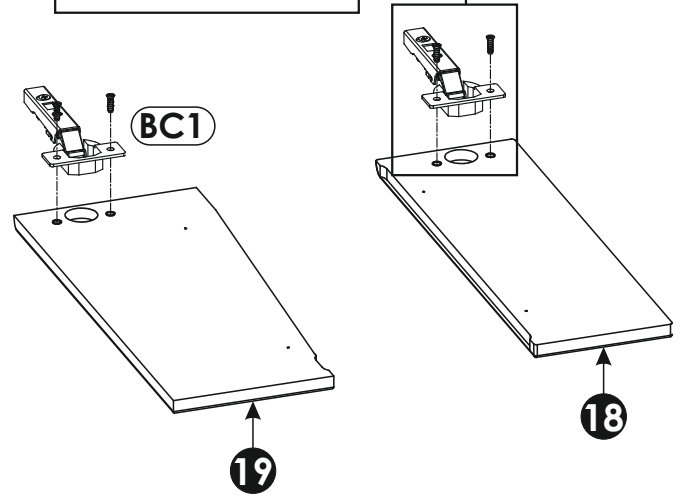
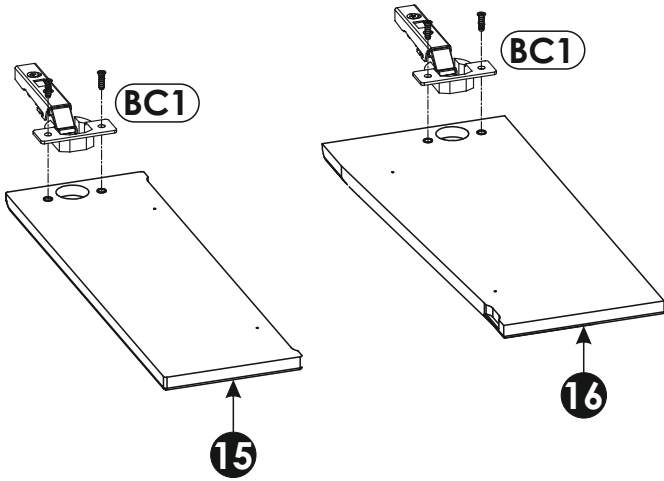
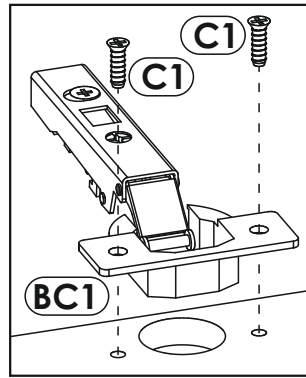
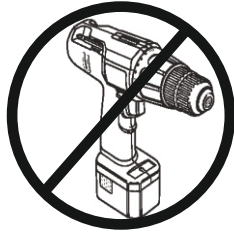
3▶



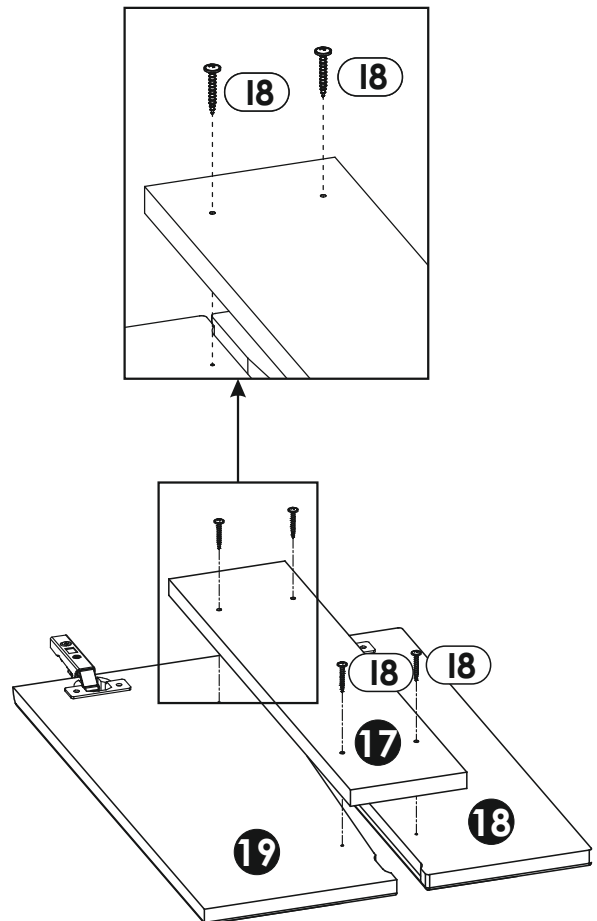
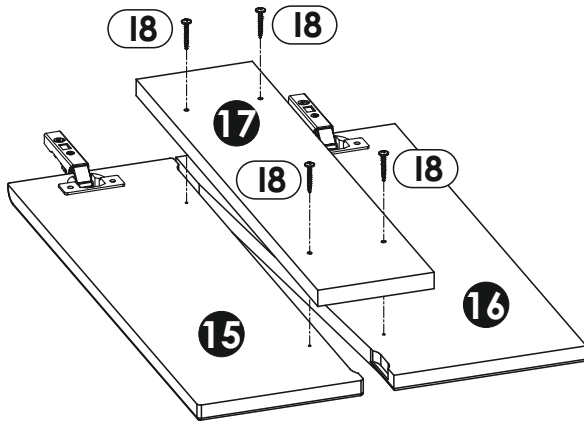
4▶



5 ▶

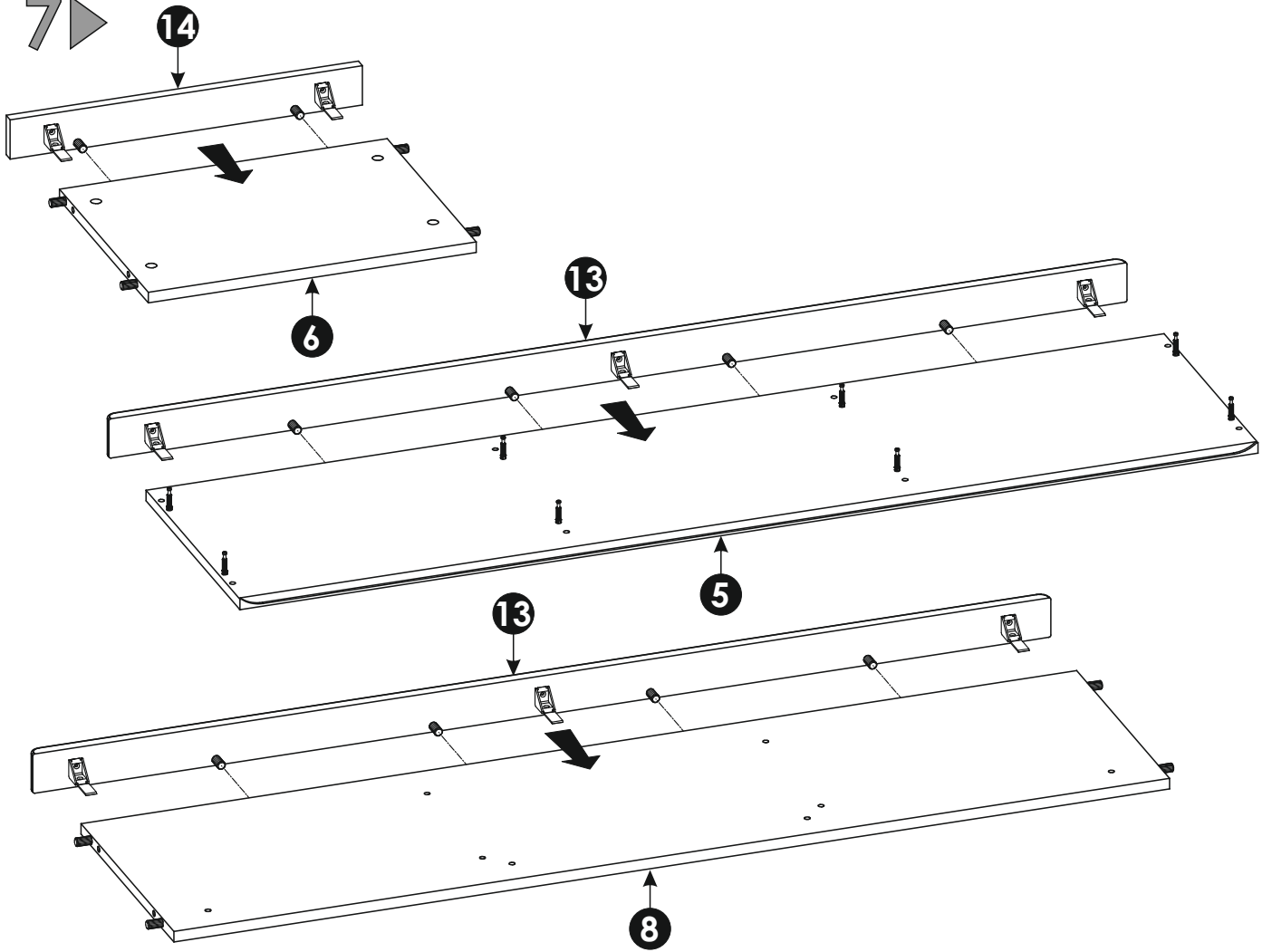


6 ▶

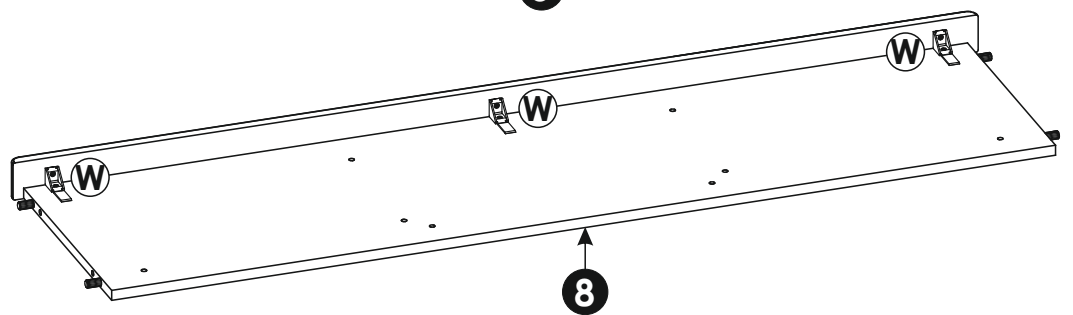
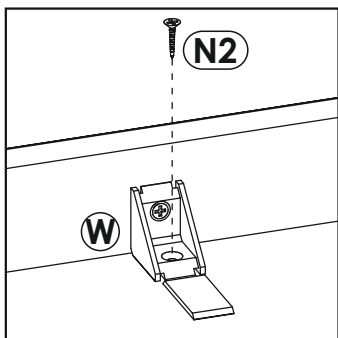
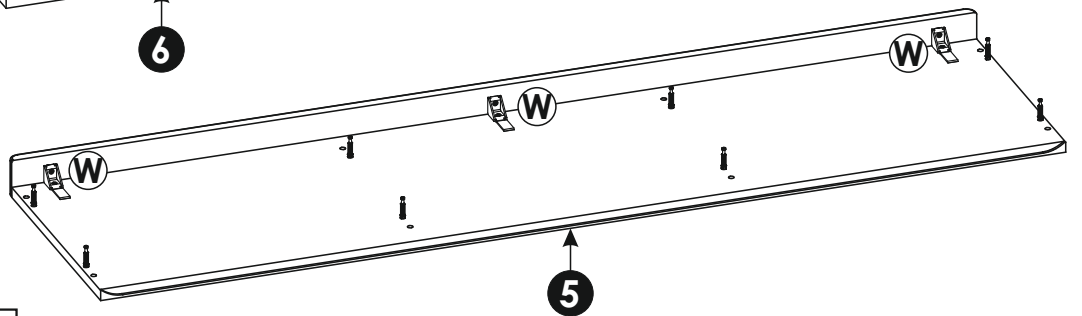
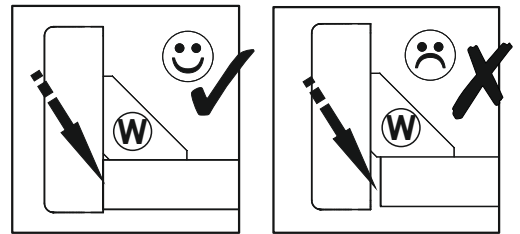
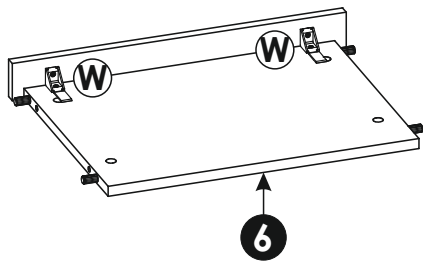




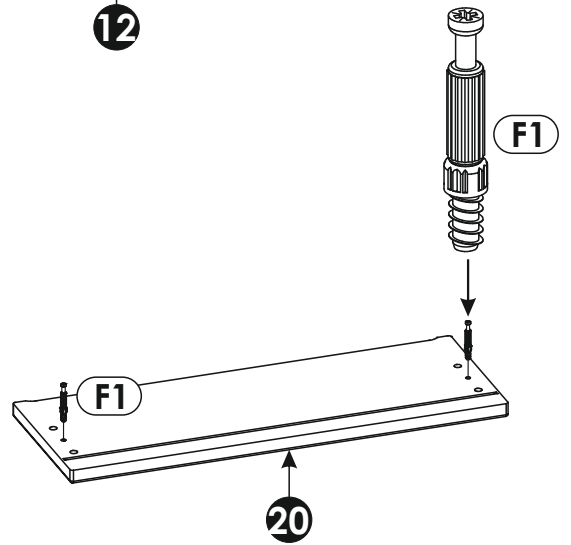
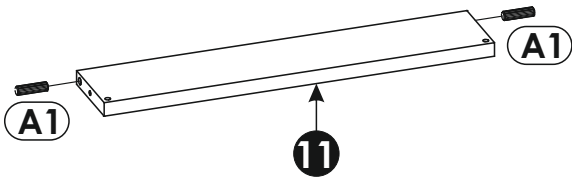
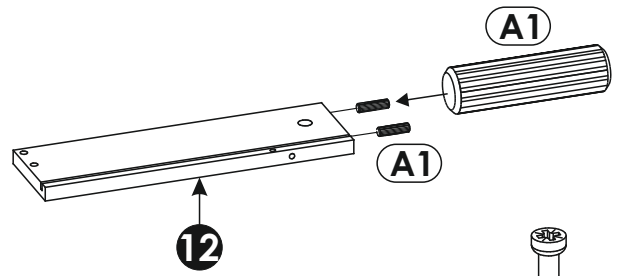
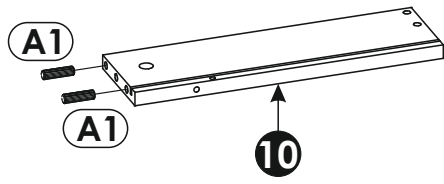
7 ▶



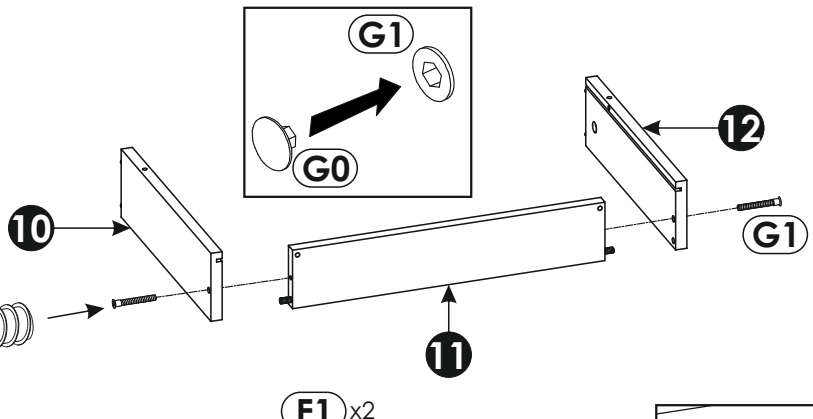
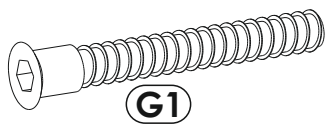
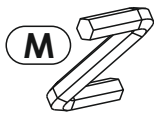
8 ▶



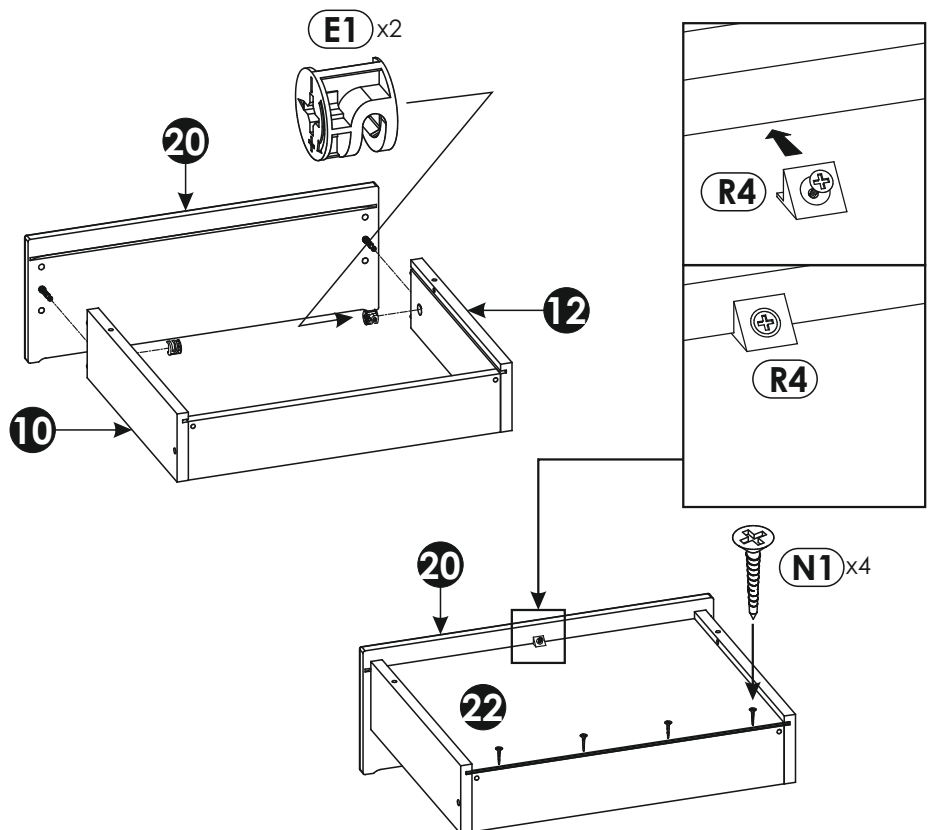
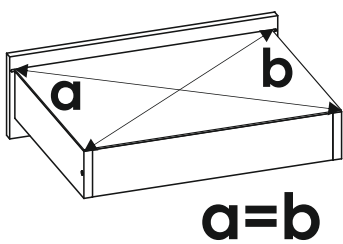
9 ▶



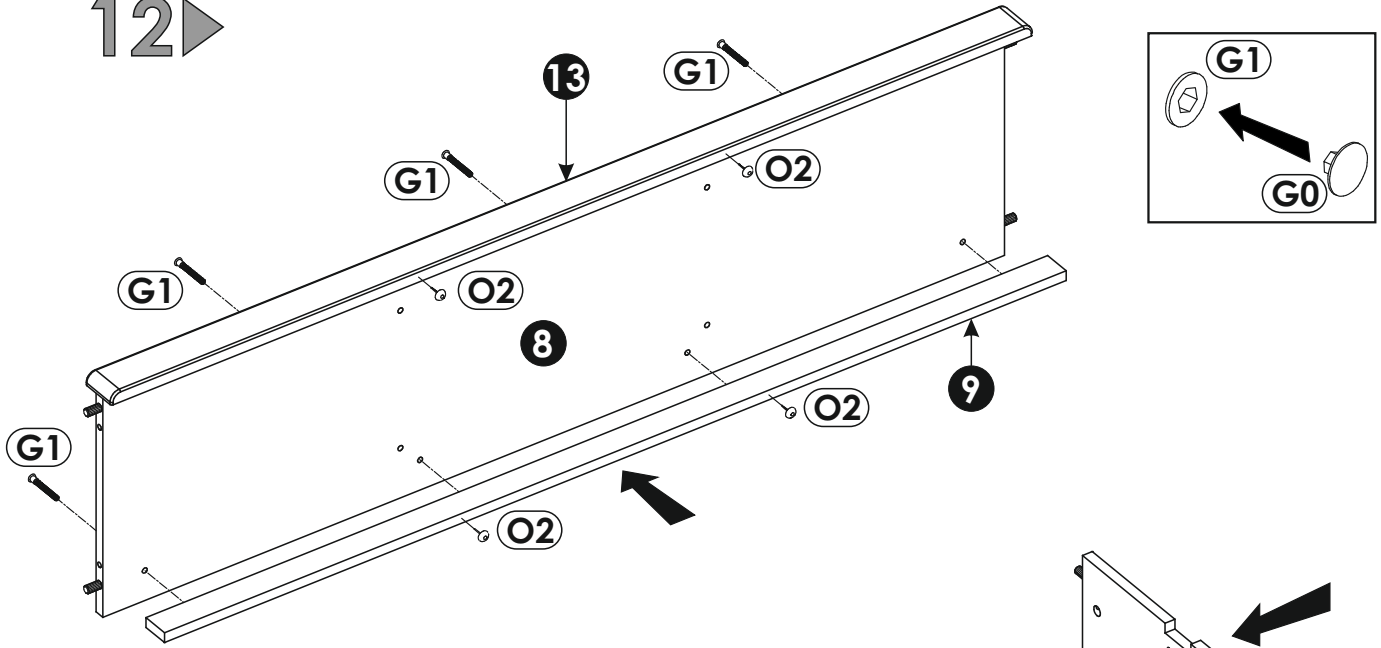
10 ▶



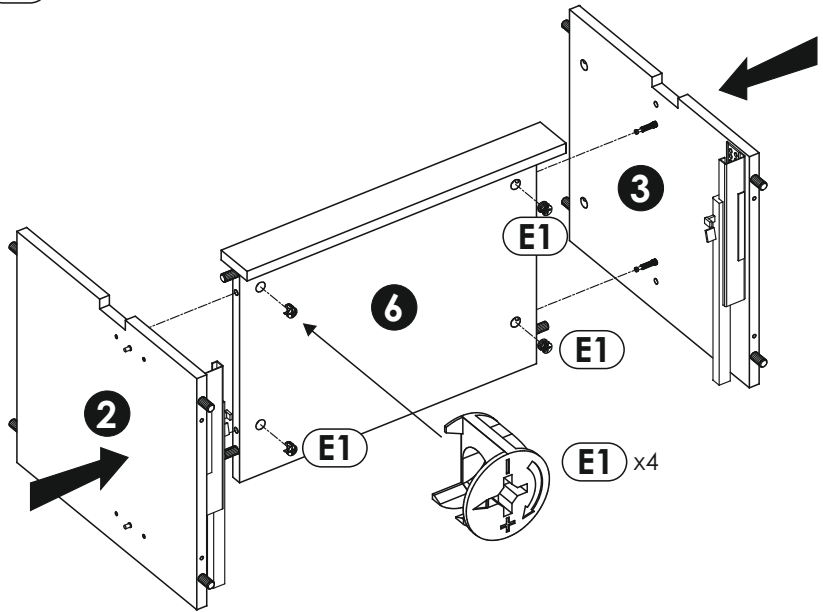
11 ▶



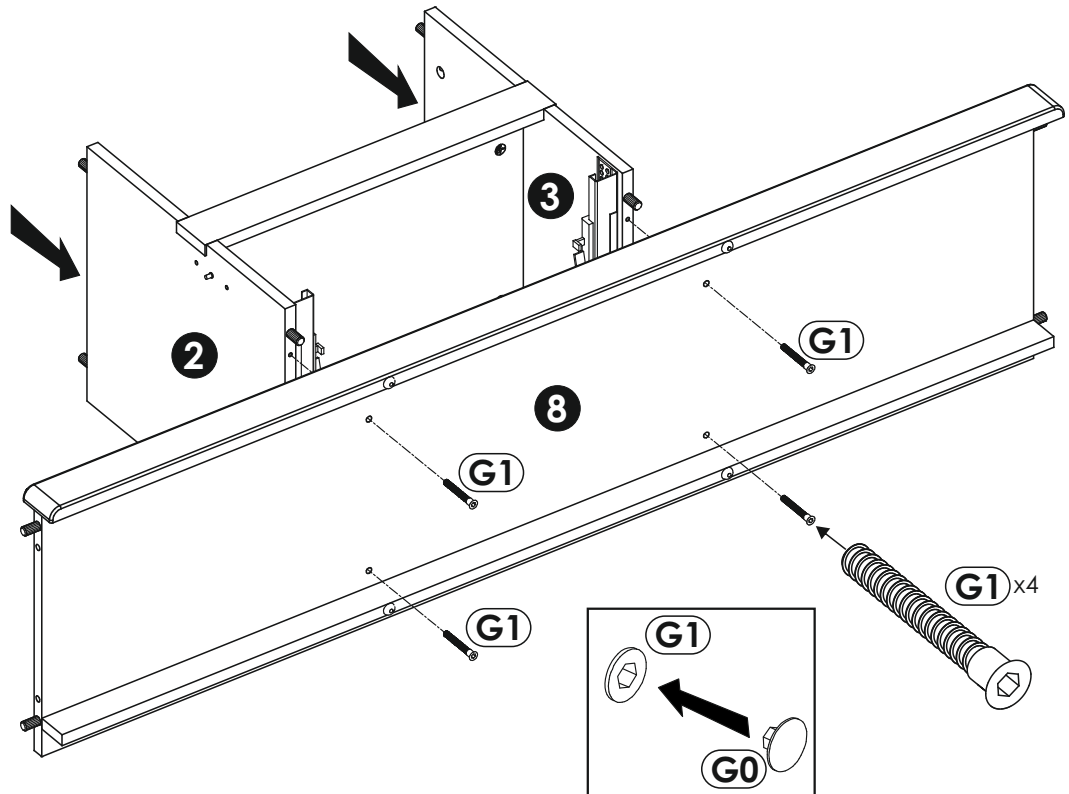
12 ▶



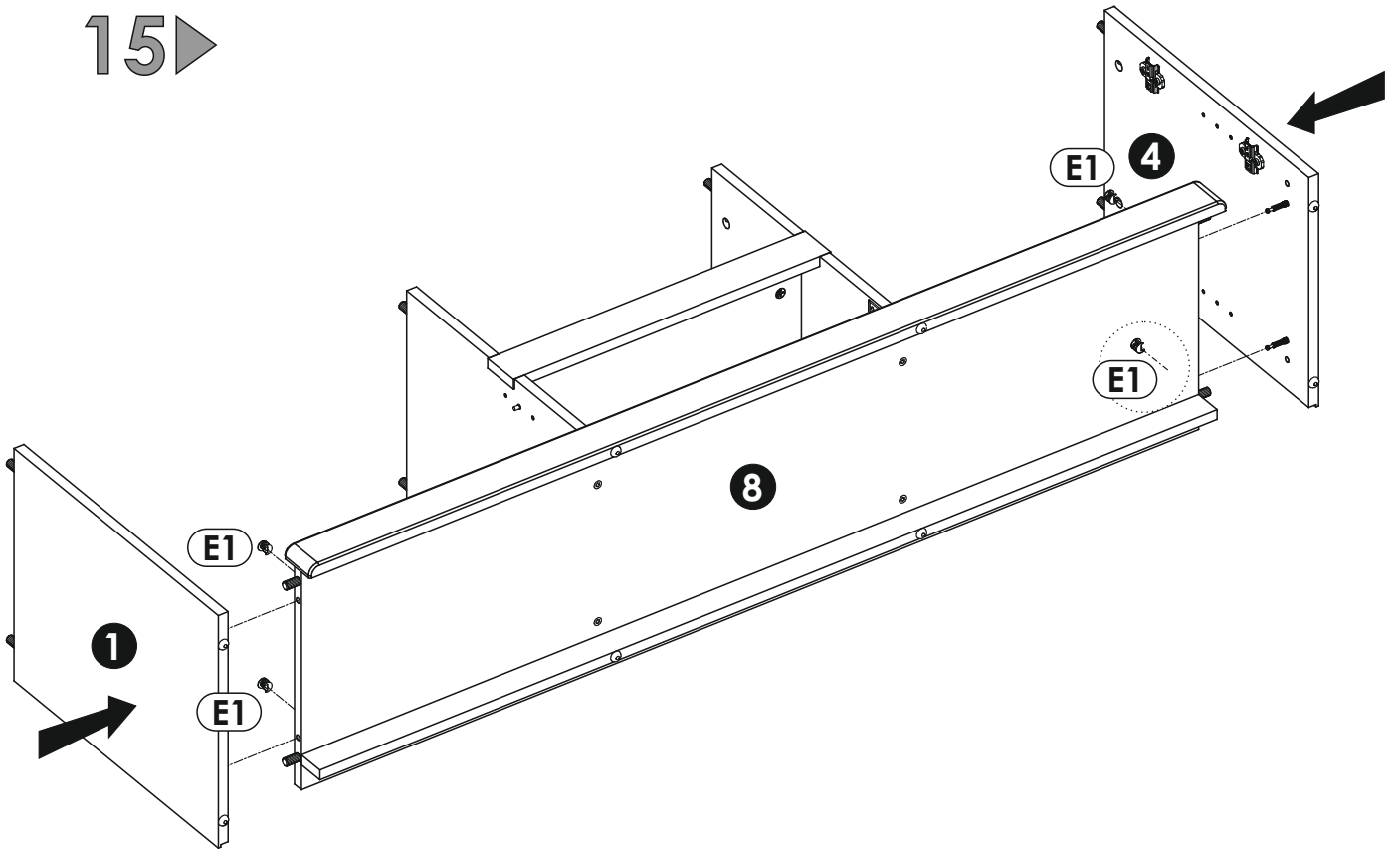
13 ▶



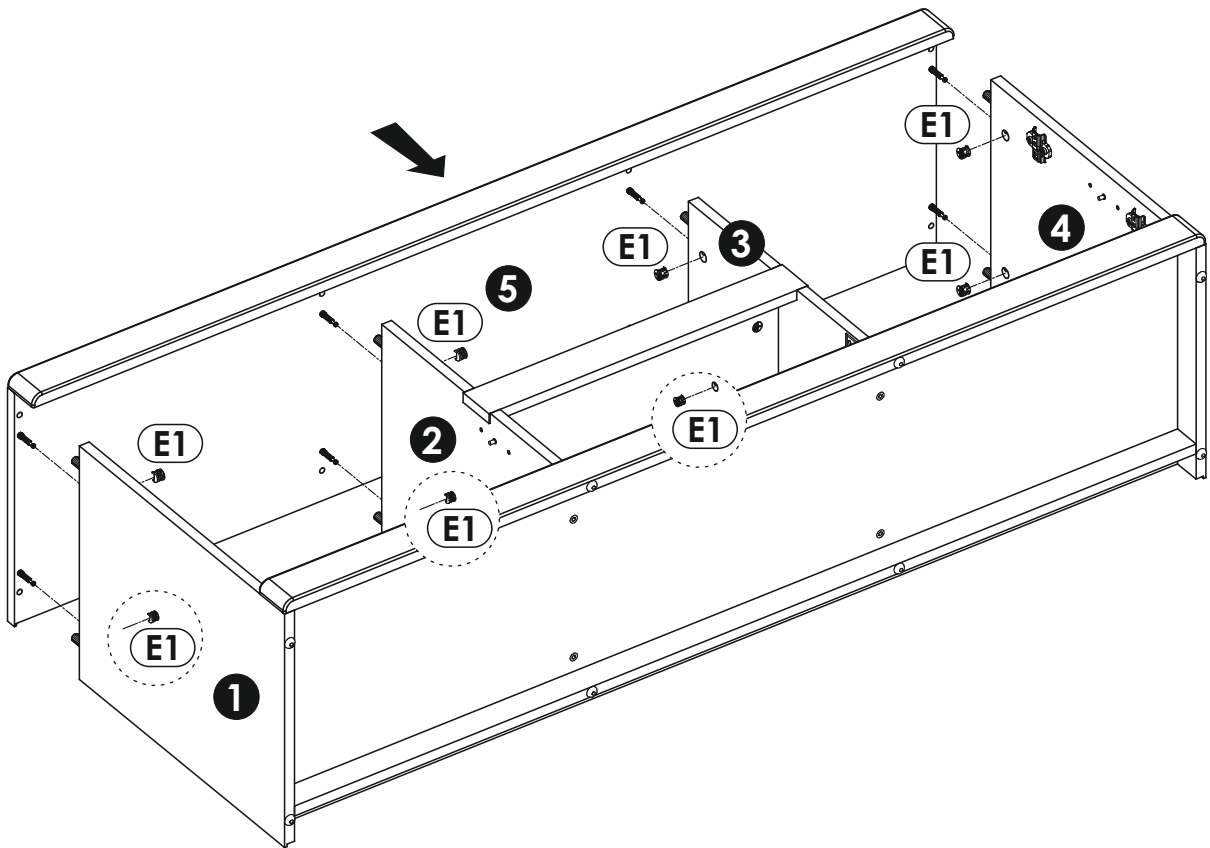
14 ▶



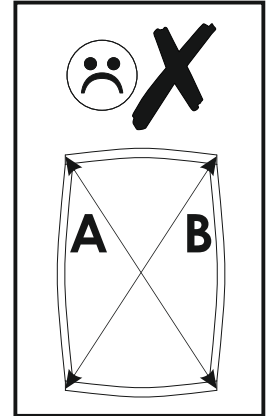
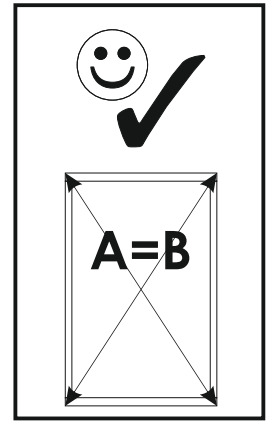
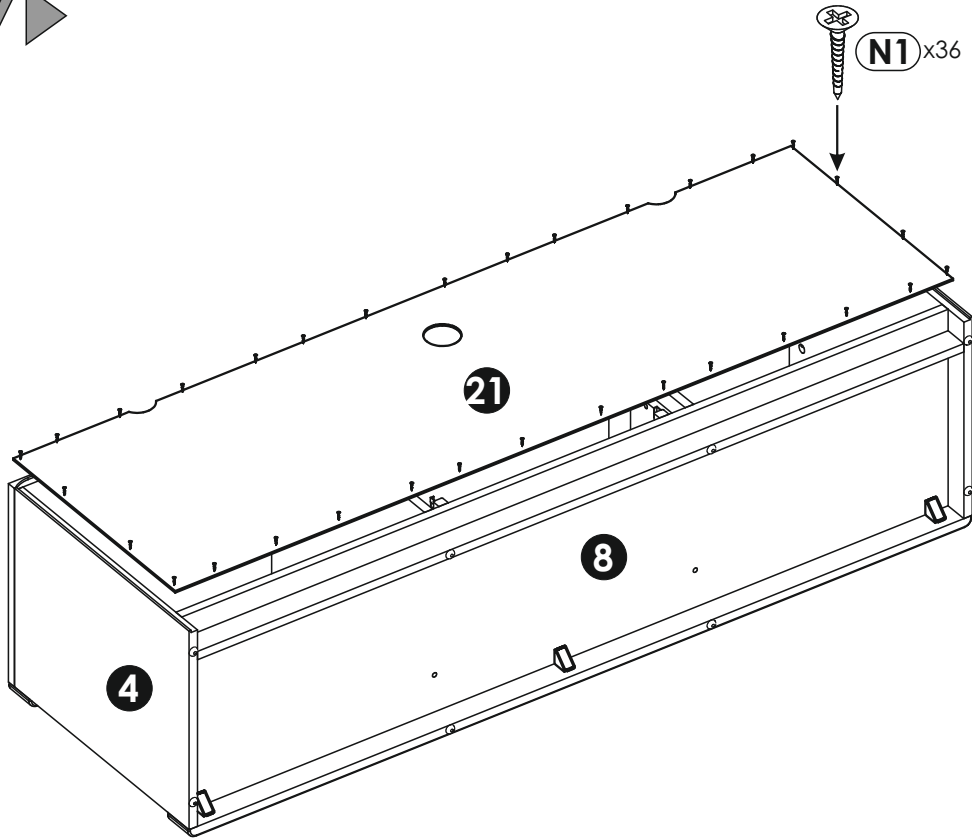
15 ▶



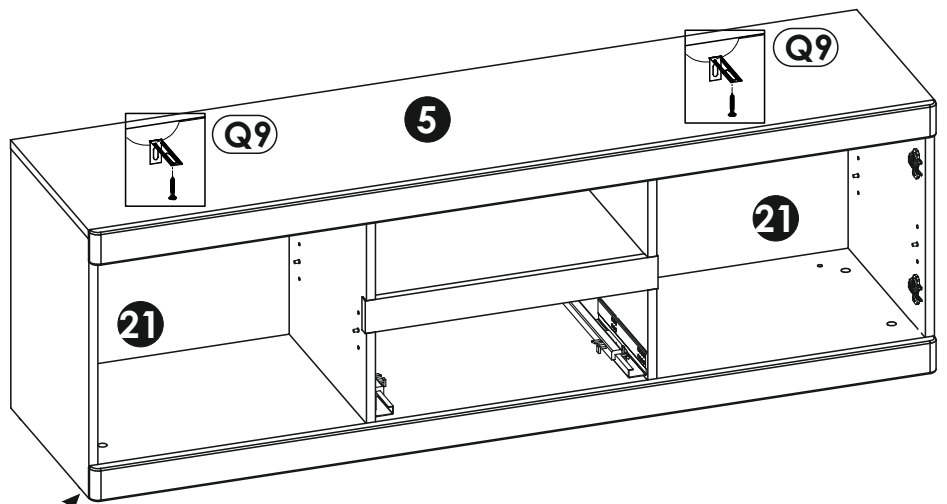
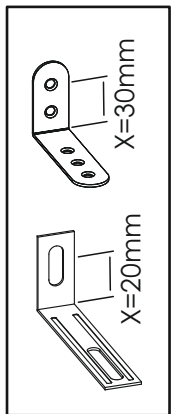
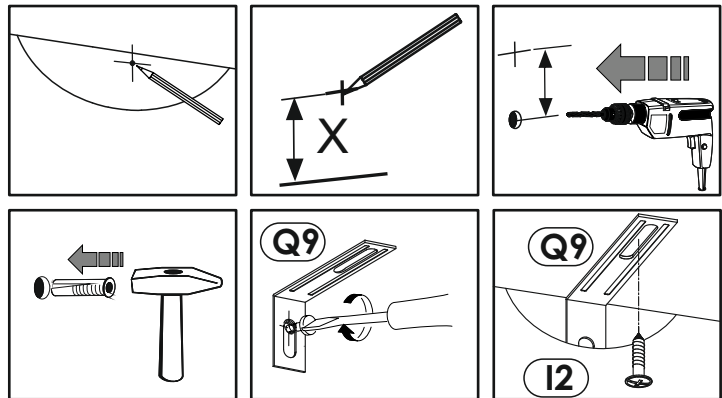
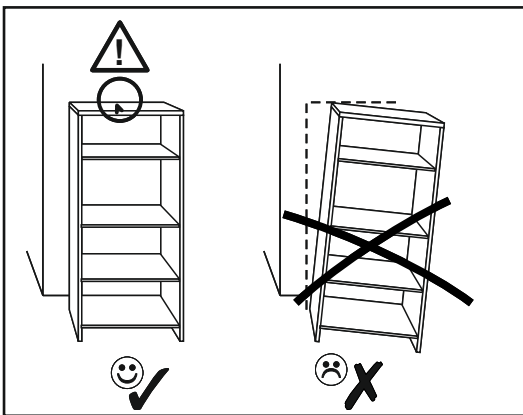
16 ▶



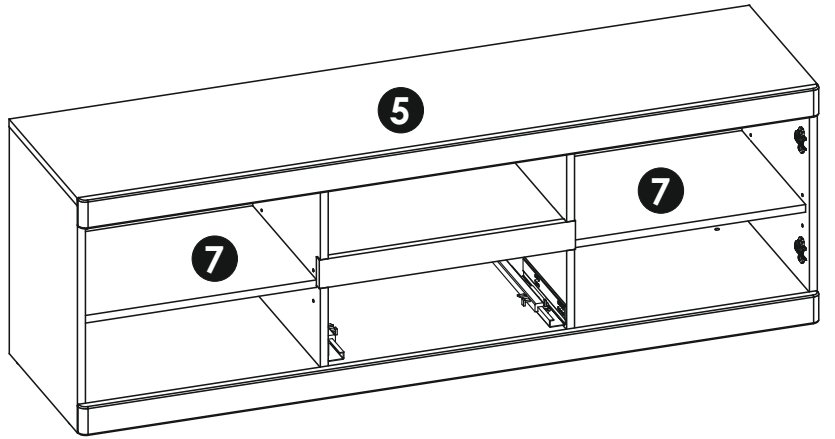
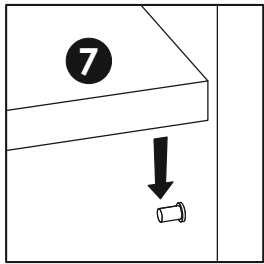
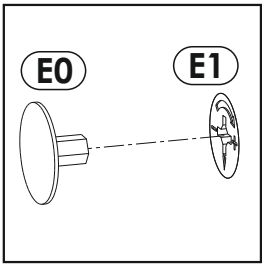
17▶



18▶



# 19 ▶



# 20 ▶

