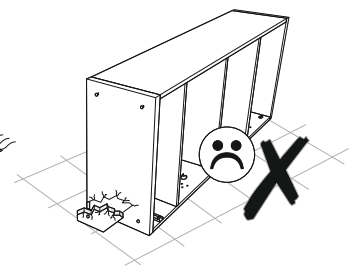
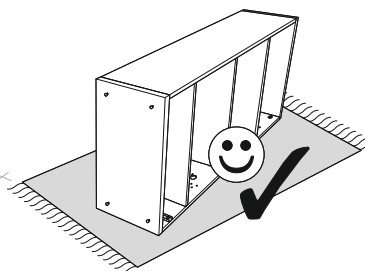
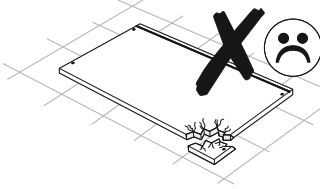
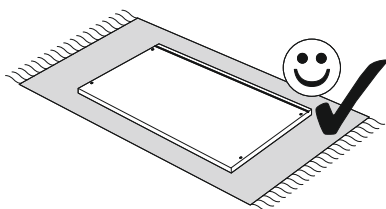
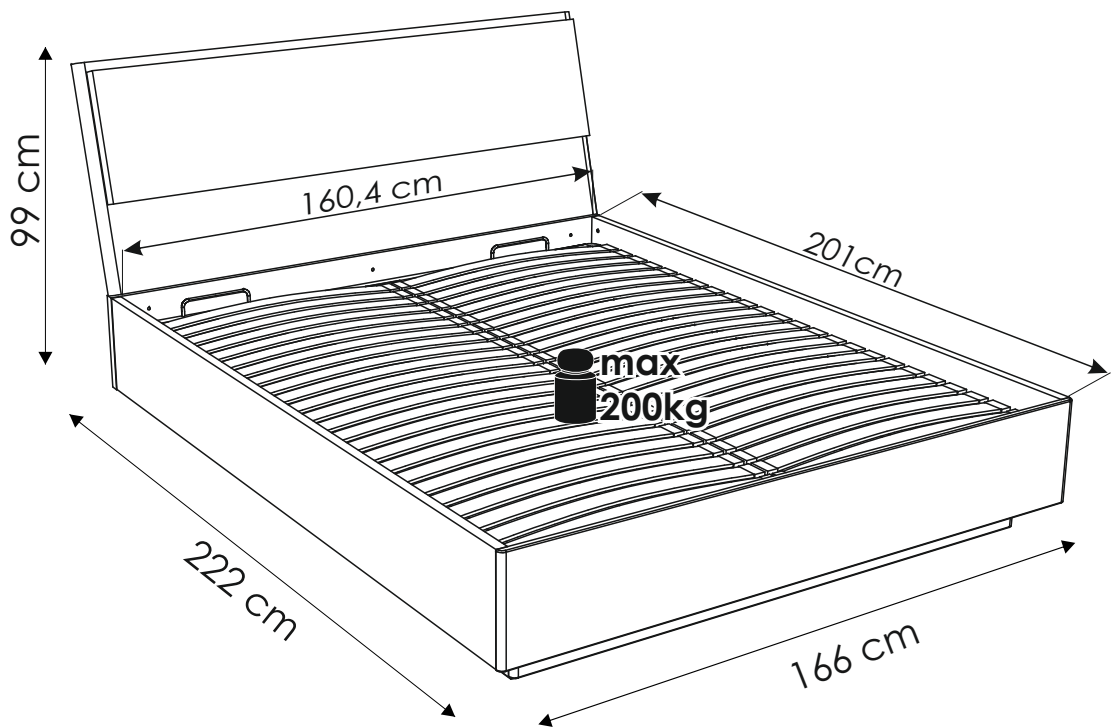
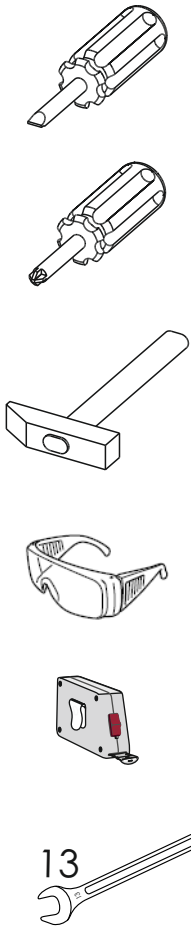
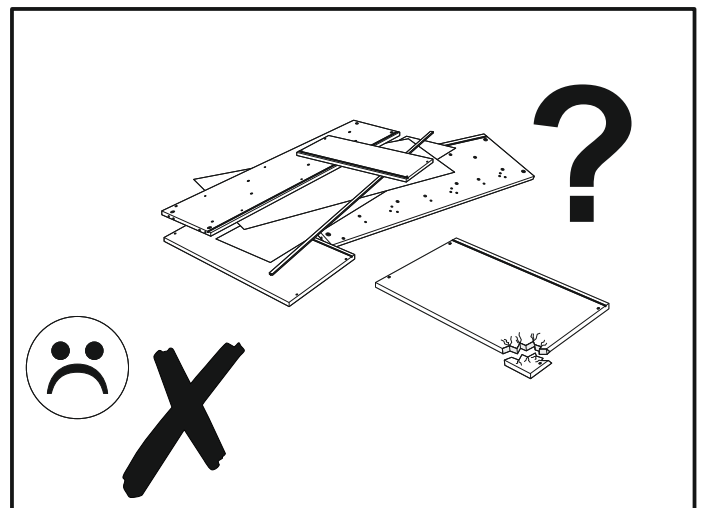
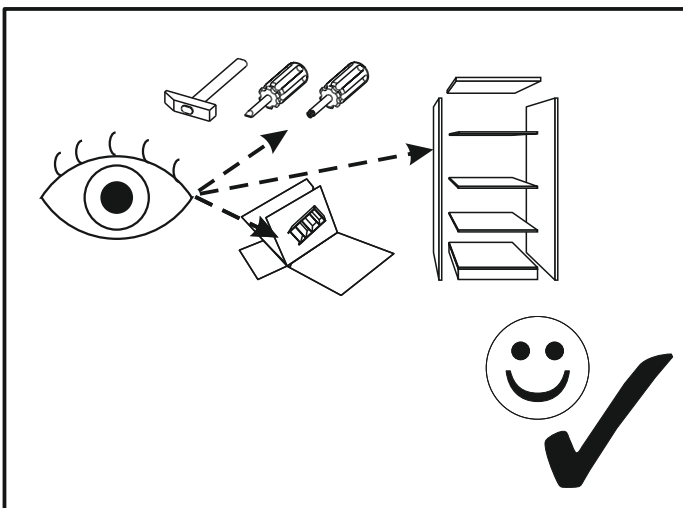
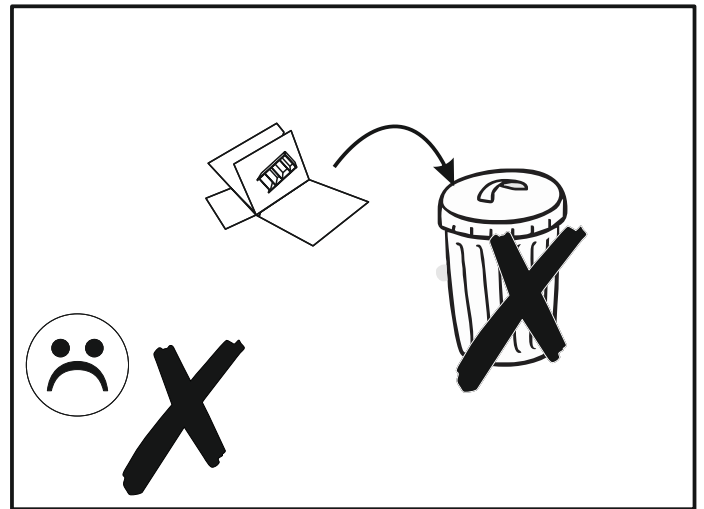
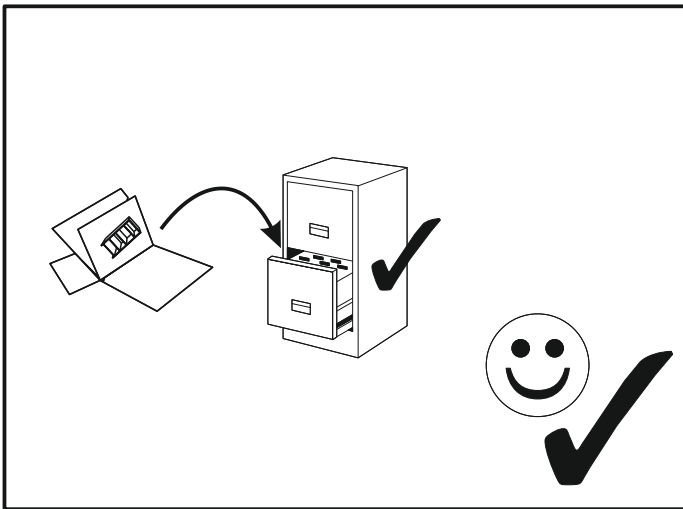
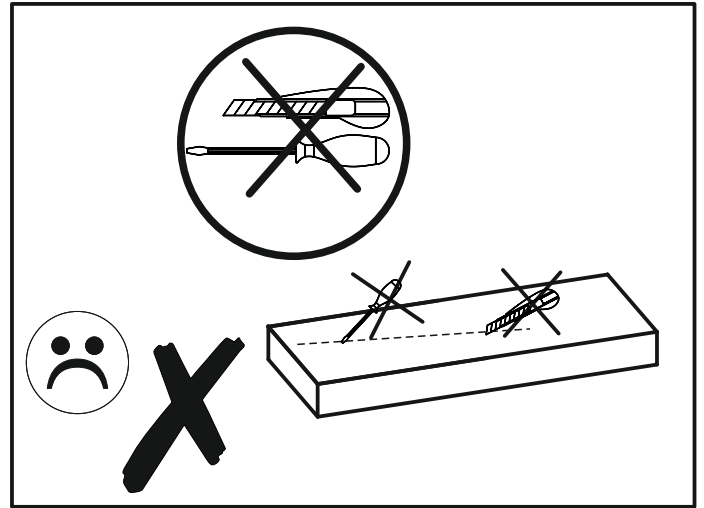
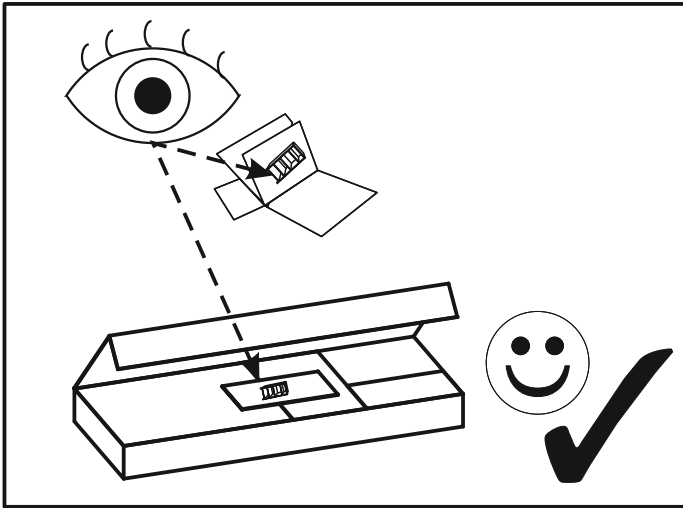


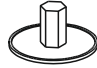










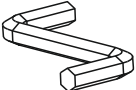

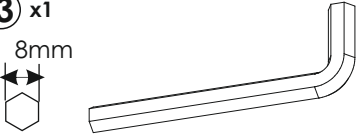



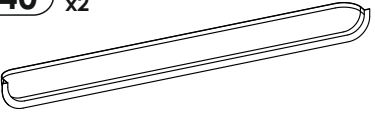


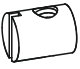


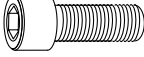



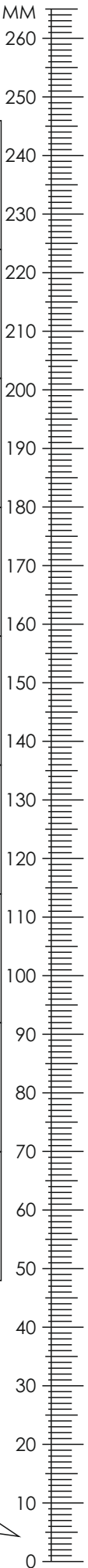
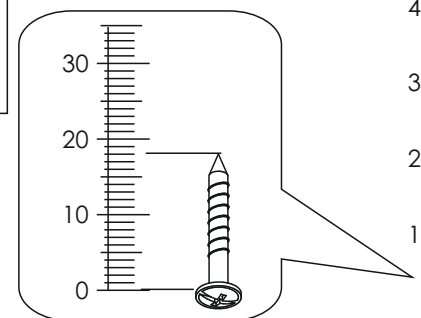
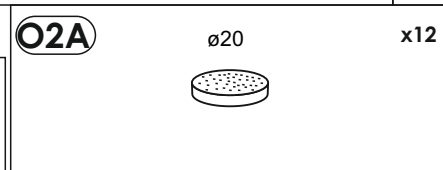
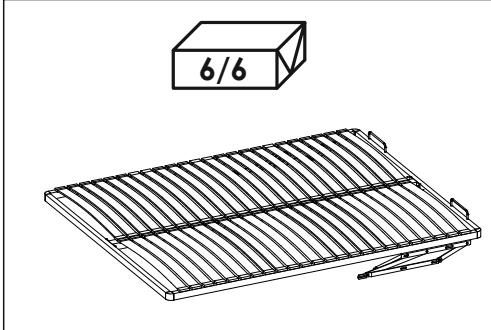
100

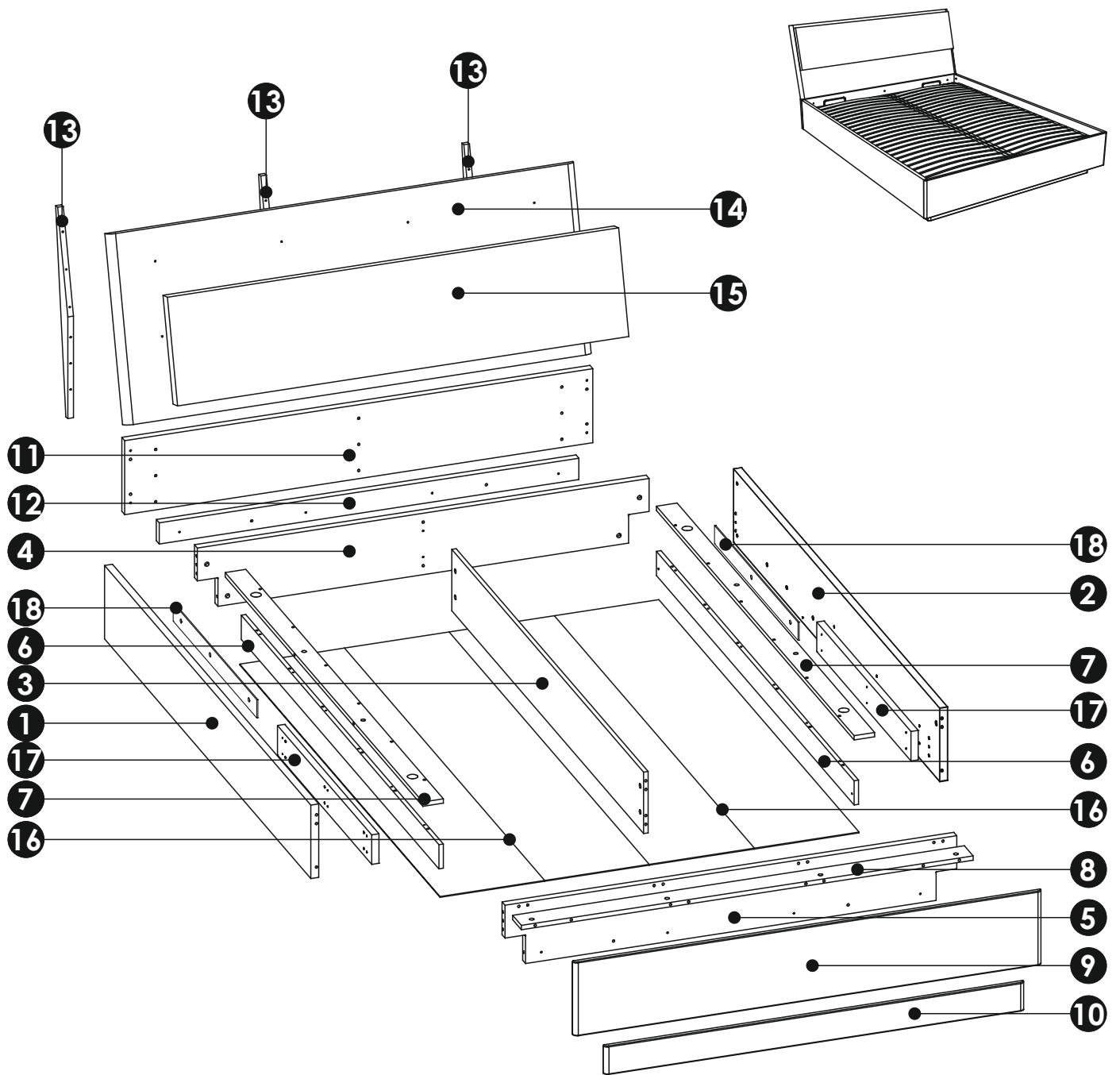




MM

<p>A0 x16 $\phi 8 \times 24$ mm</p> 	<p>A1 x40 $\phi 8 \times 35$ mm</p> 	<p>E0 x22</p> 
<p>E1 x22</p> 	<p>F1 x22</p> 	<p>G0 x25</p> 
<p>G1 x12 $\phi 7 \times 50$ mm</p> 	<p>G2 x13 $\phi 7 \times 60$ mm</p> 	<p>I5 x12 4 x 45 mm</p> 
<p>I6 x20 4 x 40 mm</p> 	<p>I7 x9 4 x 35 mm</p> 	<p>I15 x10 3,5 x 16 mm</p> 
<p>J7 3,5 x 25 mm x1</p> 	<p>M x1</p> 	<p>M2 x1</p> <p>6mm</p> 
<p>M3 x1</p> <p>8mm</p> 	<p>N1 x100 3 x 16mm</p> 	<p>O21 x25</p> 
<p>P16 x12</p> 	<p>P40 x2</p> 	<p>R1 x13</p> 
<p>R22 x6</p> 	<p>S1 x4</p> 	<p>S2 x4 M6x70</p> 
<p>S18 x6</p> 	<p>S20 x6 M8x25</p> 	<p>W16 x4</p> 

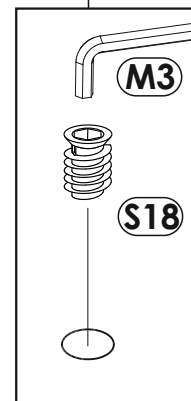
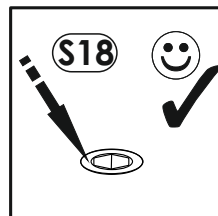
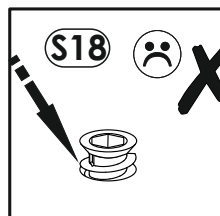
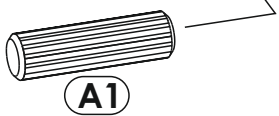
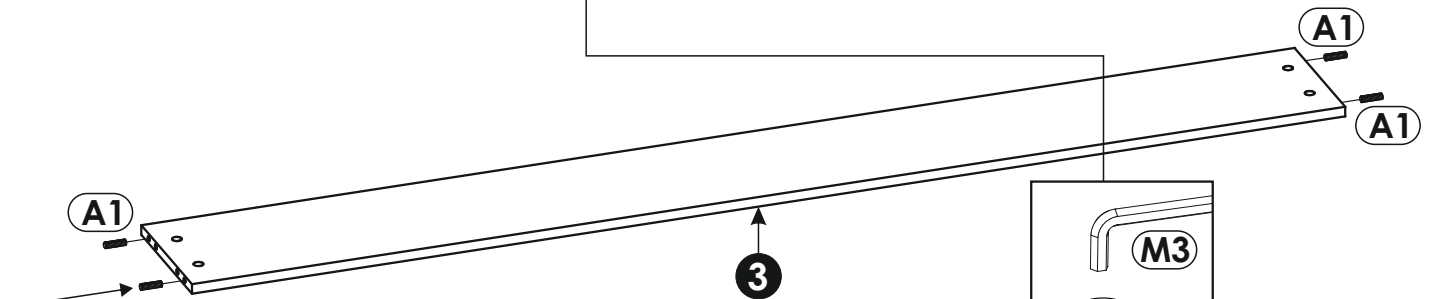
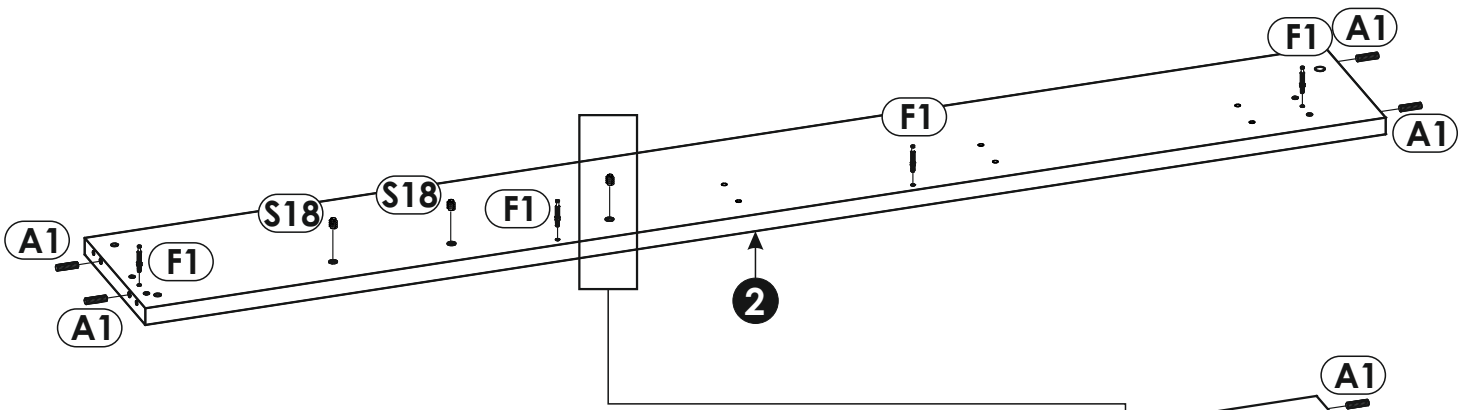
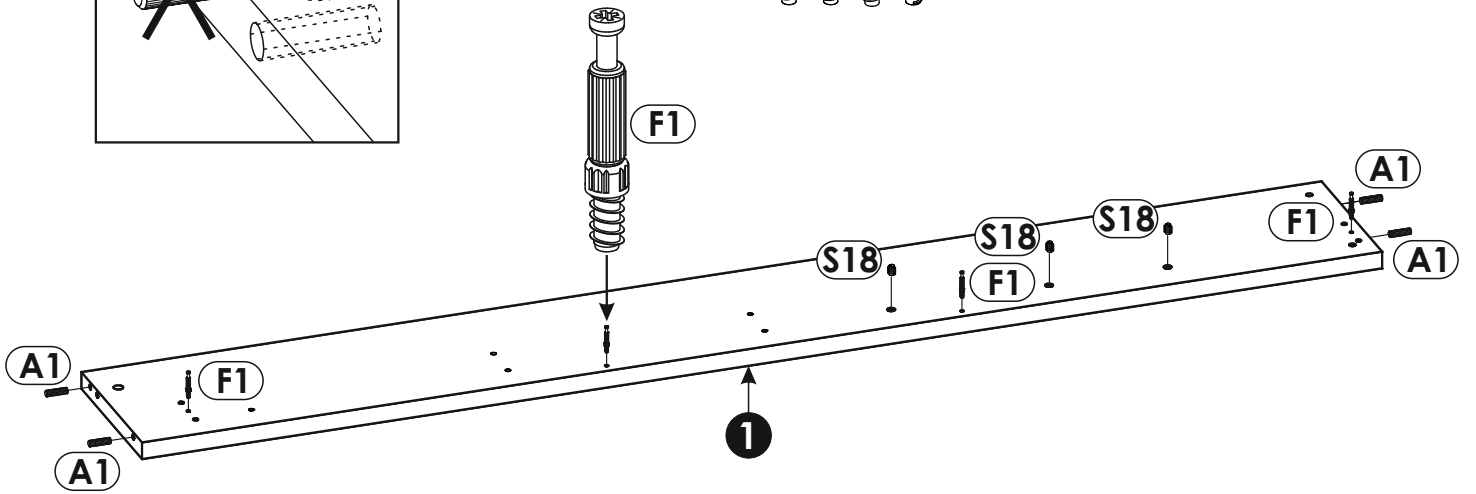
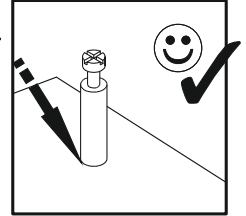
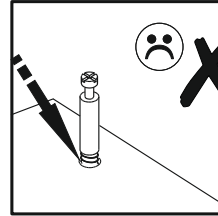
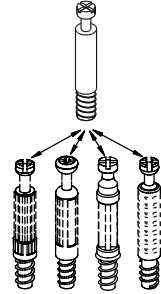
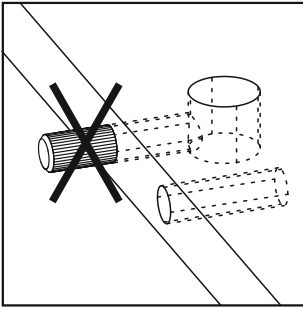
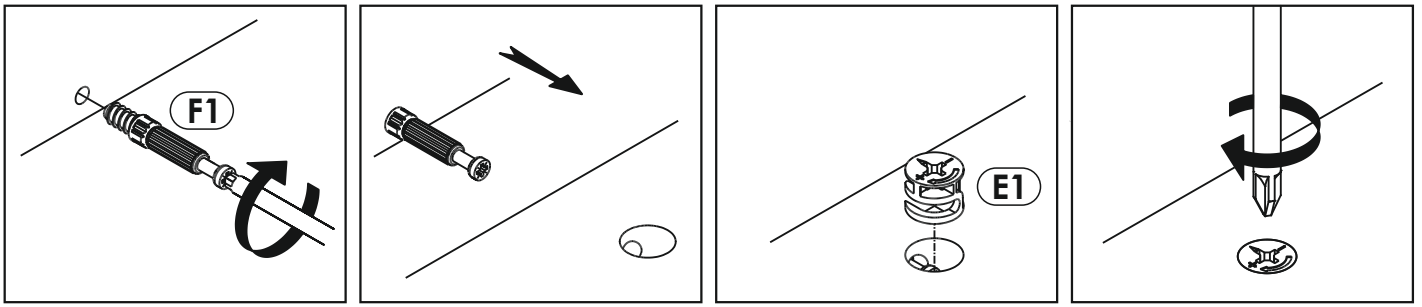




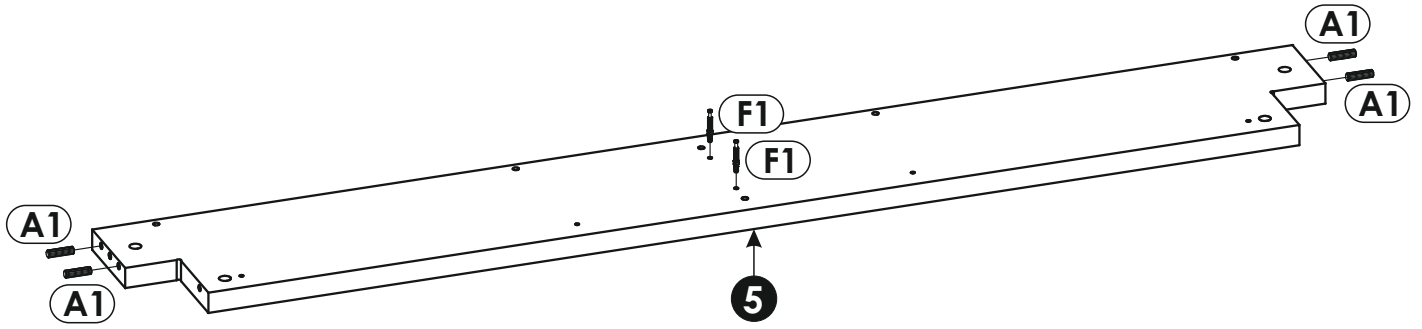
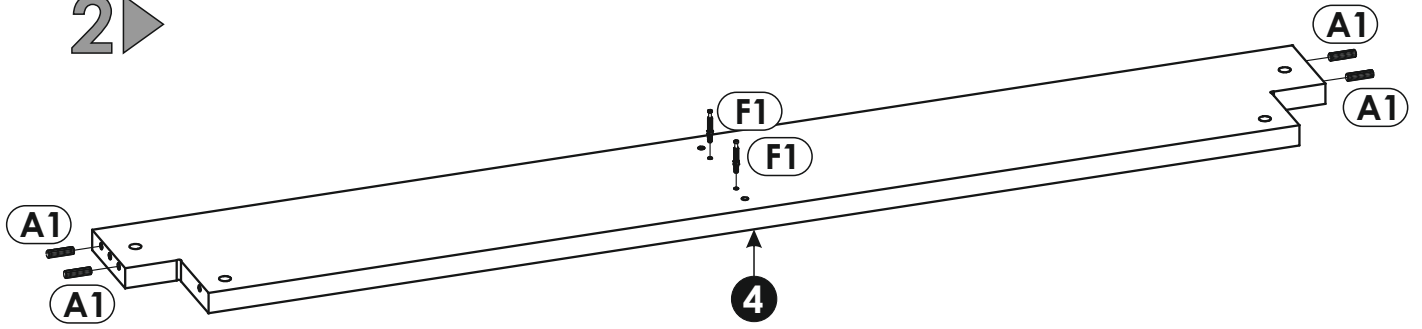
1	2010	270	28	x1	3/6
2	2010	270	28	x1	3/6
3	1869	226	16	x1	1/6
4	1602	226	28	x1	2/6
5	1602	226	28	x1	2/6
6	1925	89	16	x2	4/6

7	1925	73	16	x2	4/6
8	1602	85	16	x1	1/6
9	1660	272	16	x1	1/6
10	1490	105	16	x1	1/6
11	1660	272	28	x1	1/6
12	1488	78	28	x1	3/6

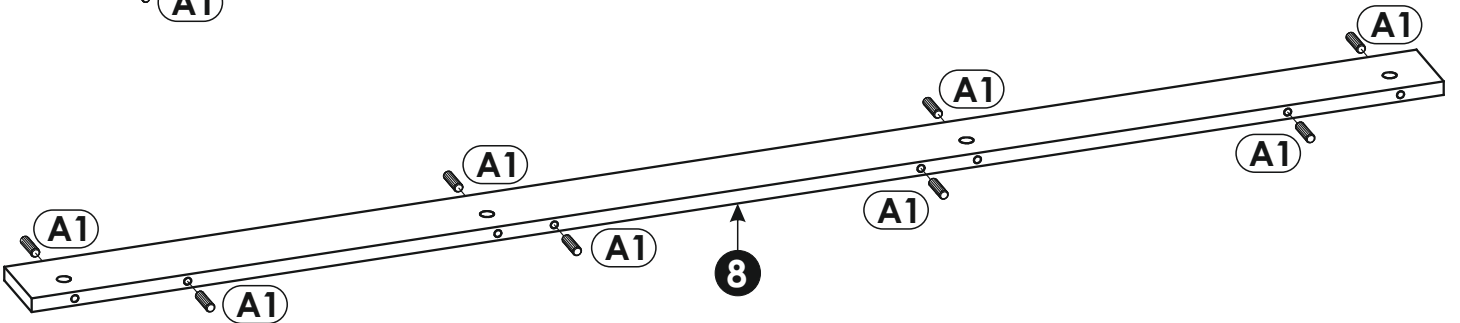
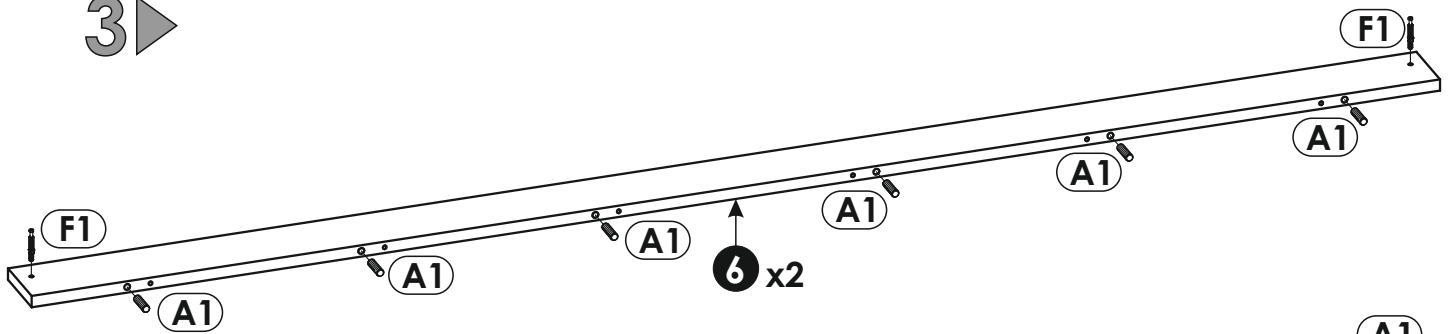
13	740	70	20	x3	4/6
14	1660	650	28	x1	2/6
15	1600	370	45	x1	5/6
16	1950	742	3	x2	4/6
17	1000	100	28	x2	3/6
18	550	45	3	x2	3/6



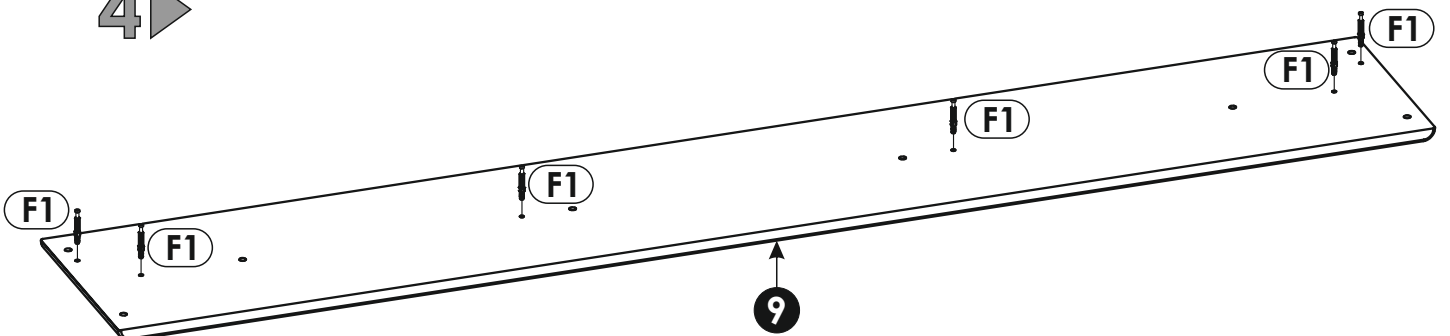
2 ▶



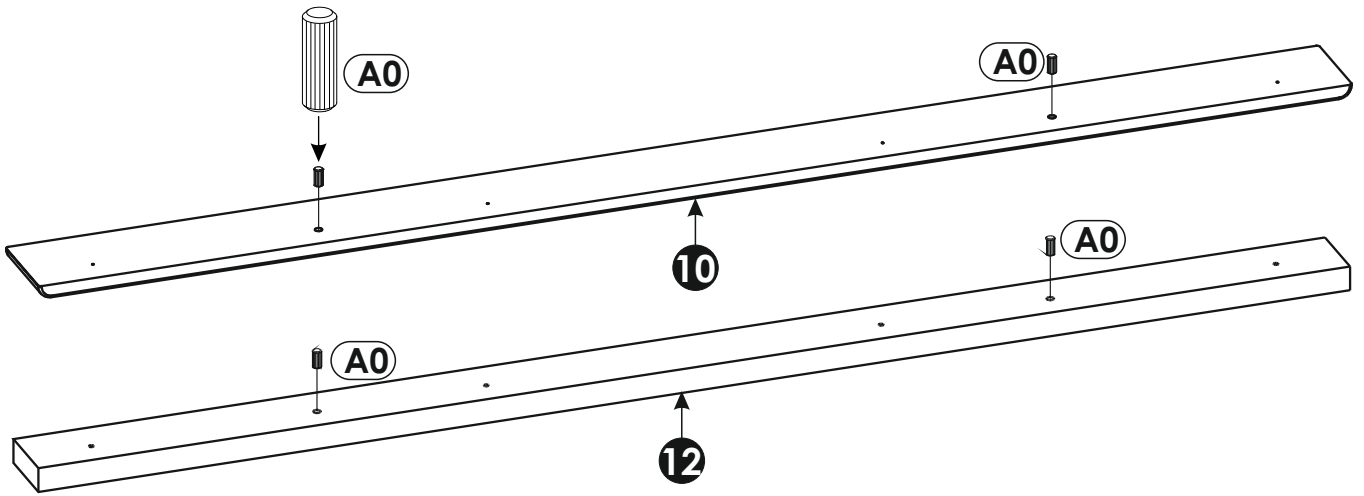
3 ▶



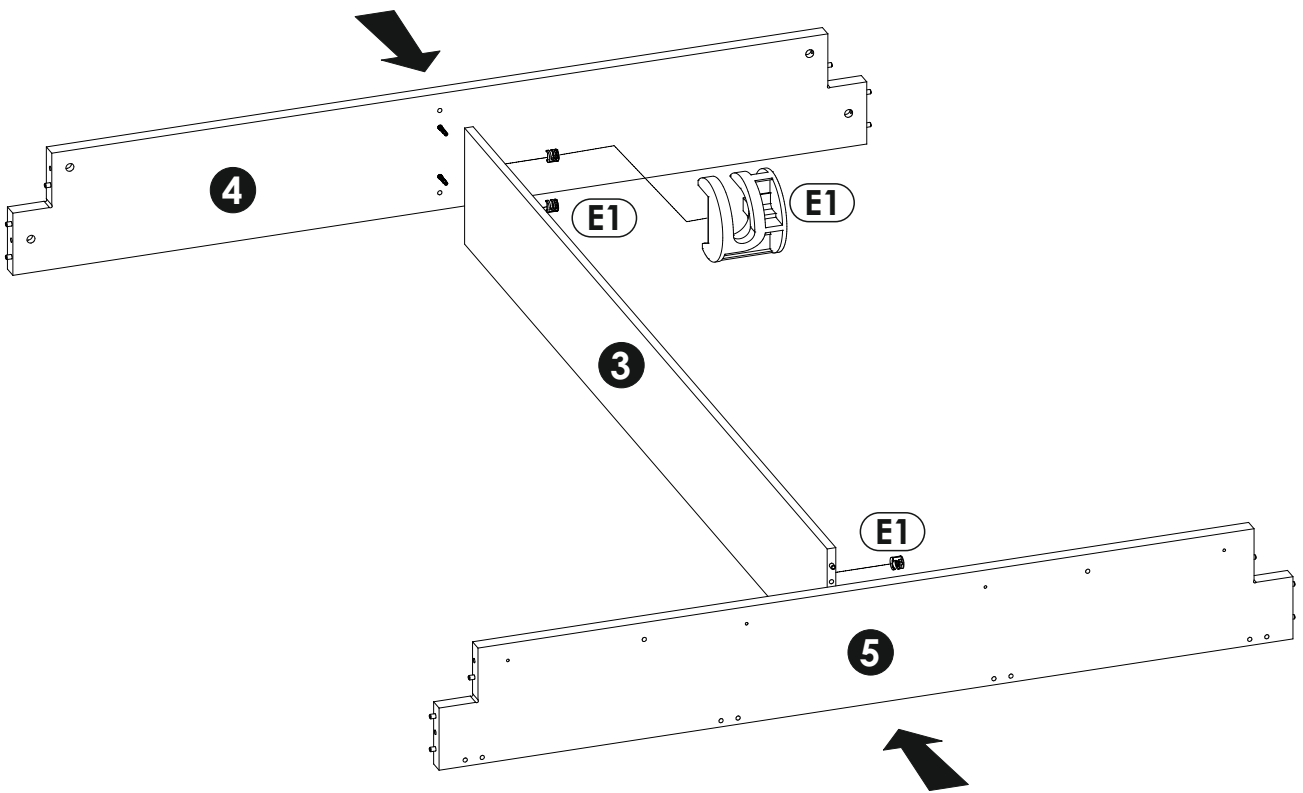
4 ▶



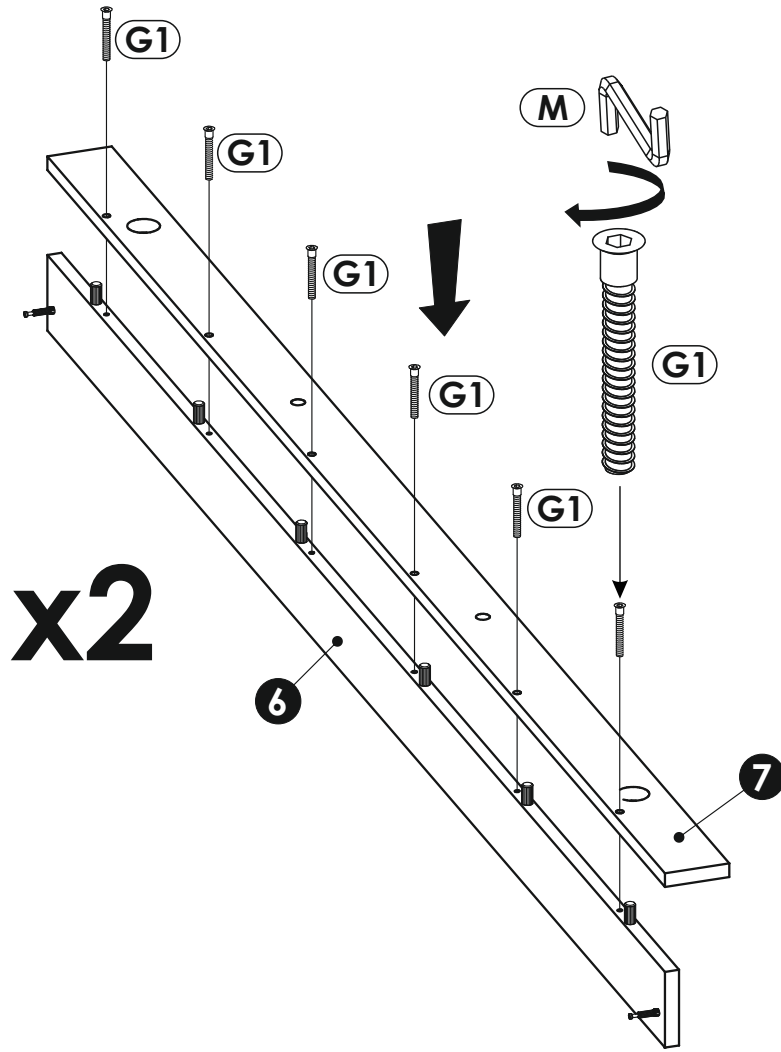
4 ▶



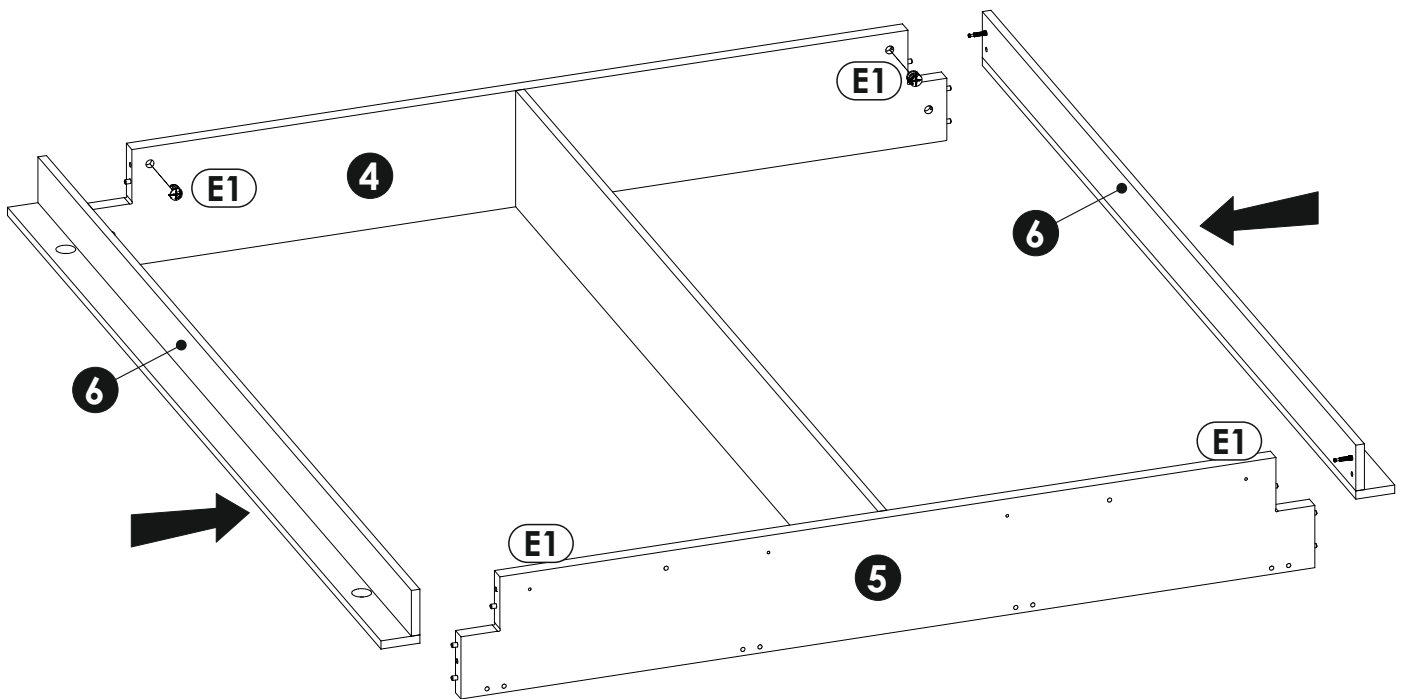
5 ▶



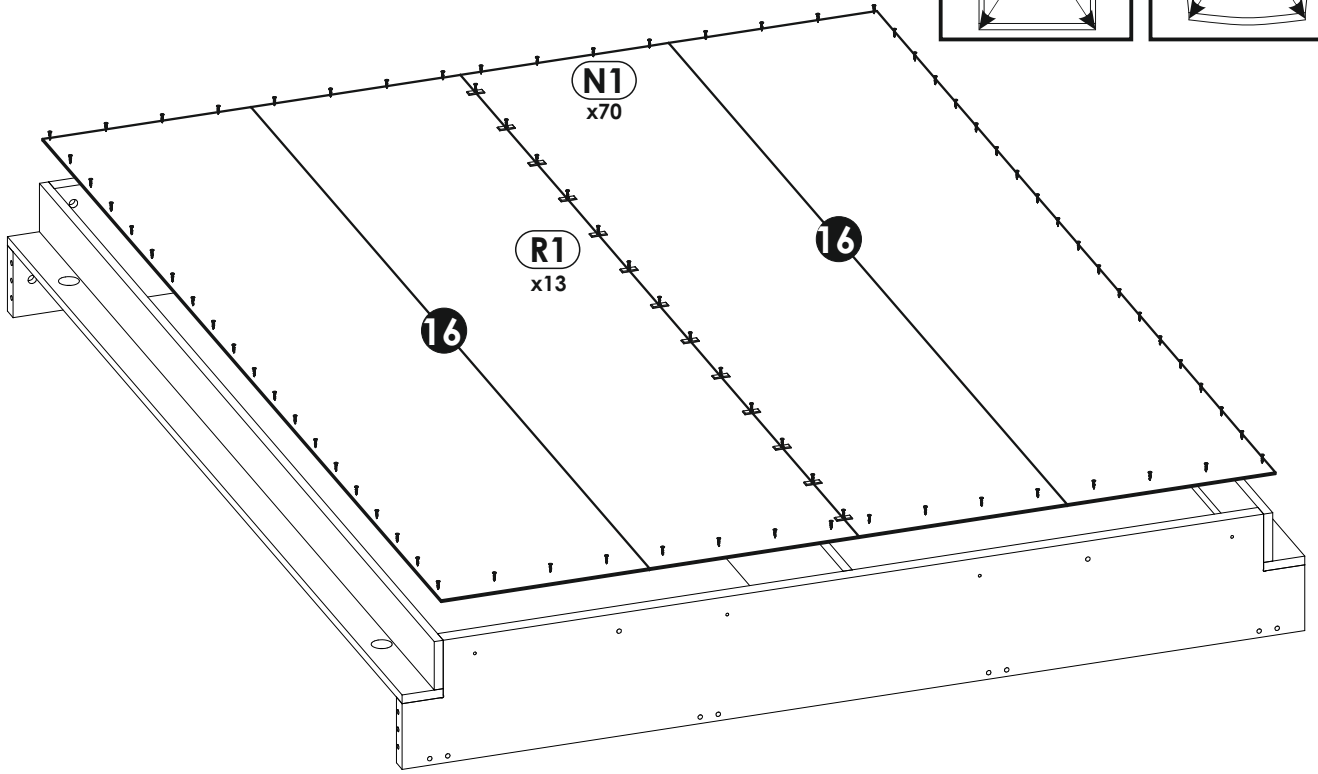
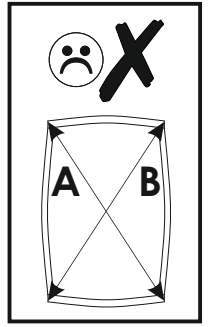
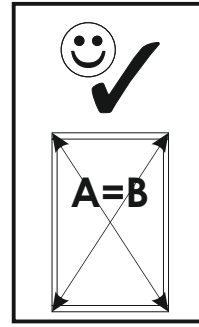
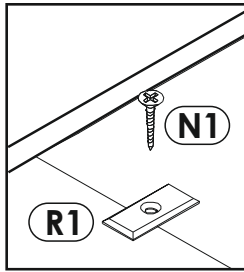
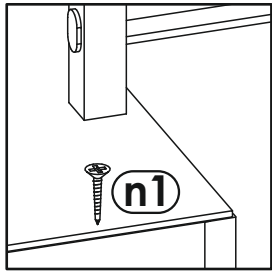
6 ▶



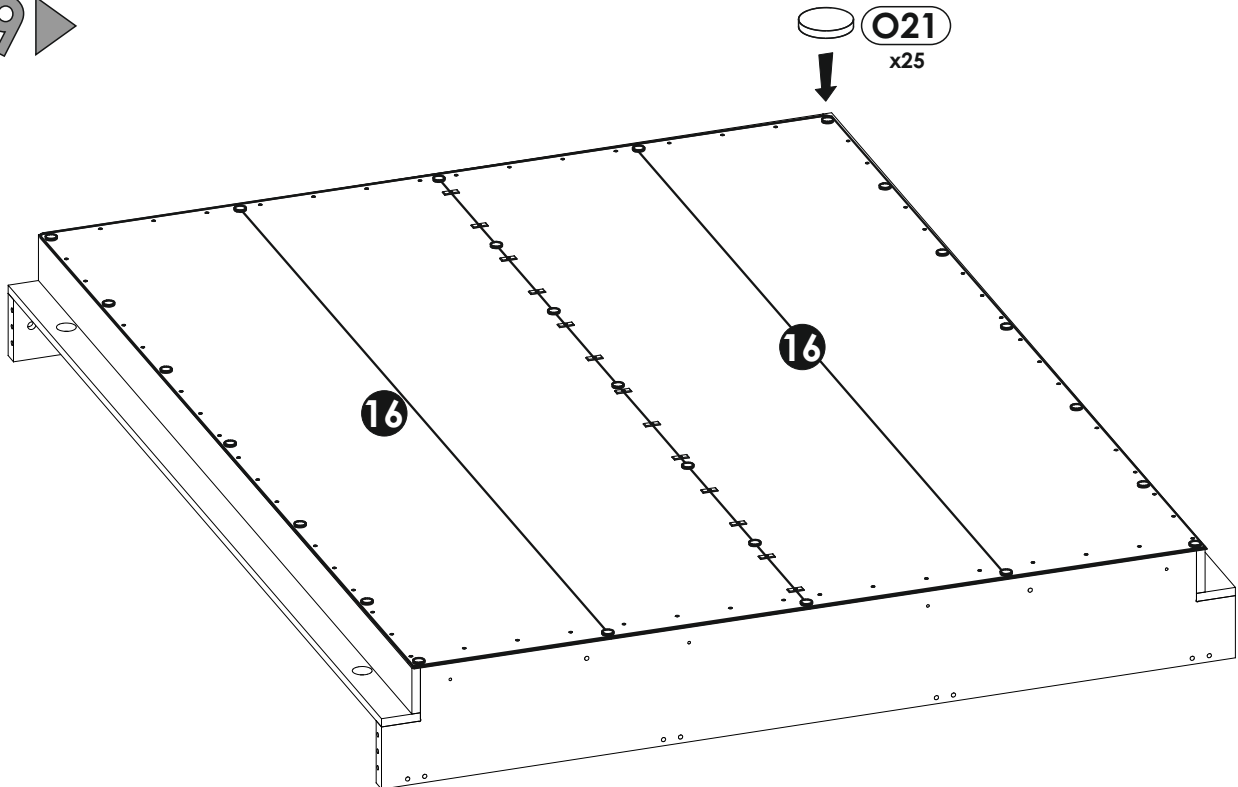
7 ▶



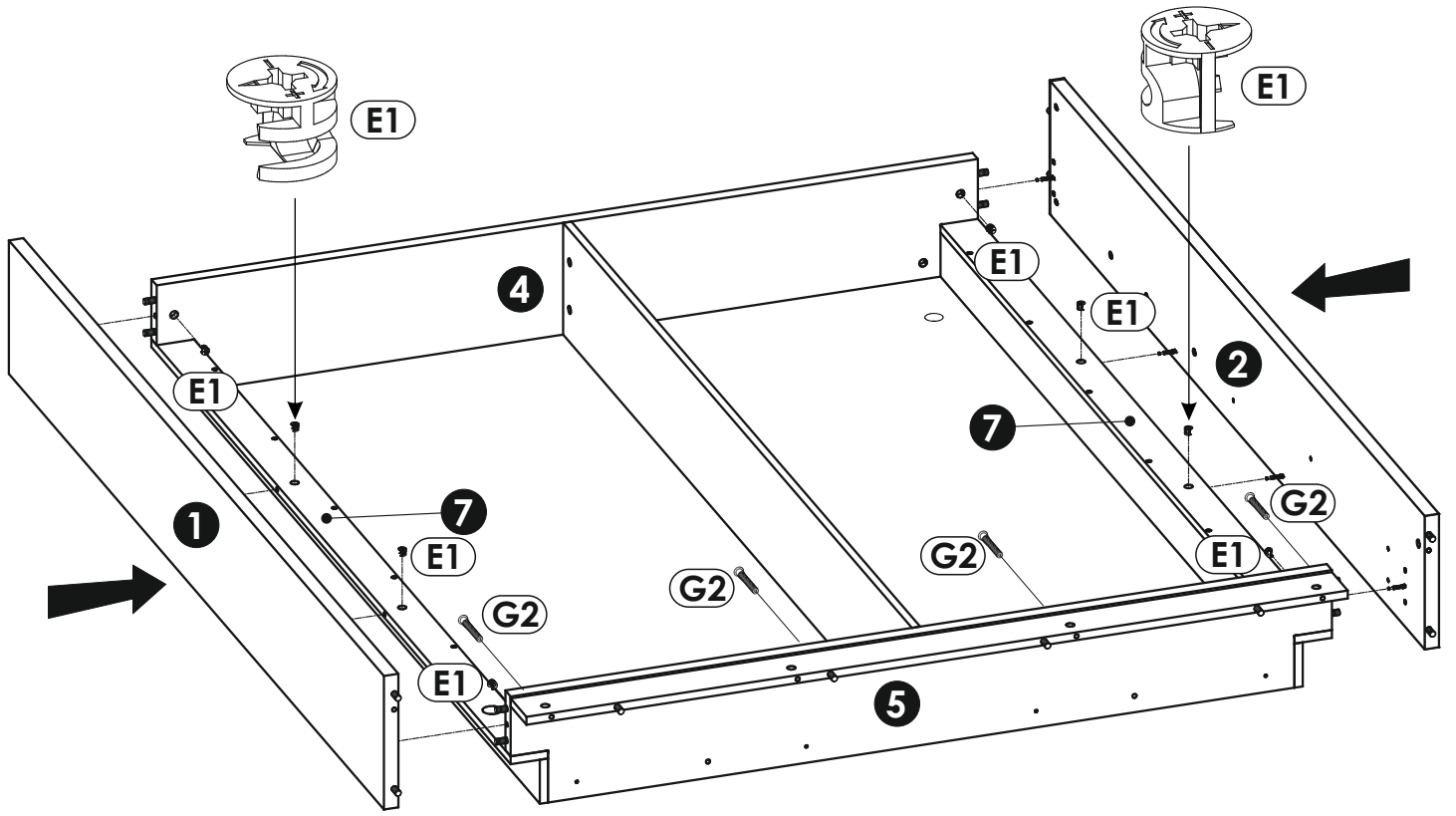
8 ▶



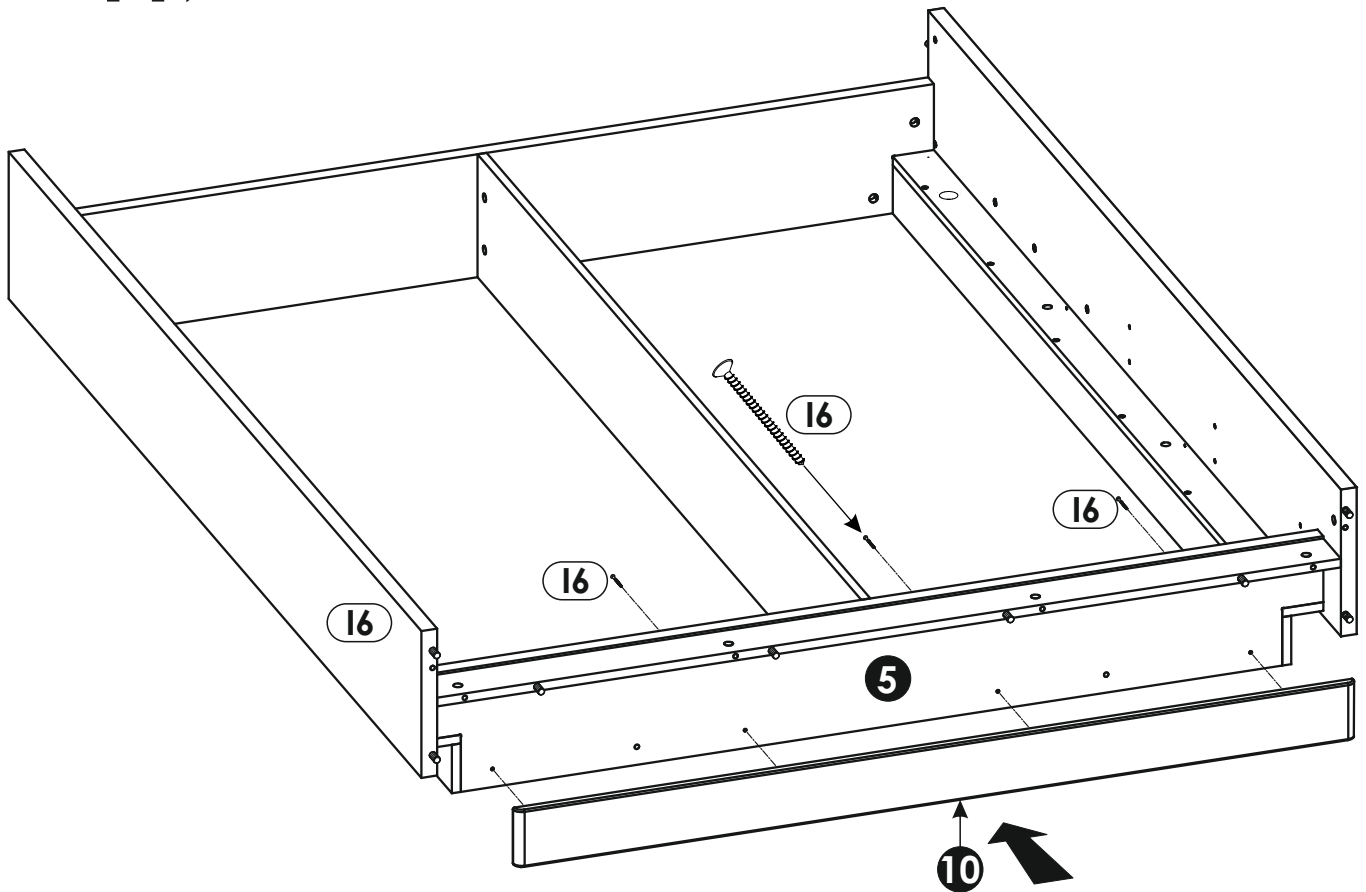
9 ▶



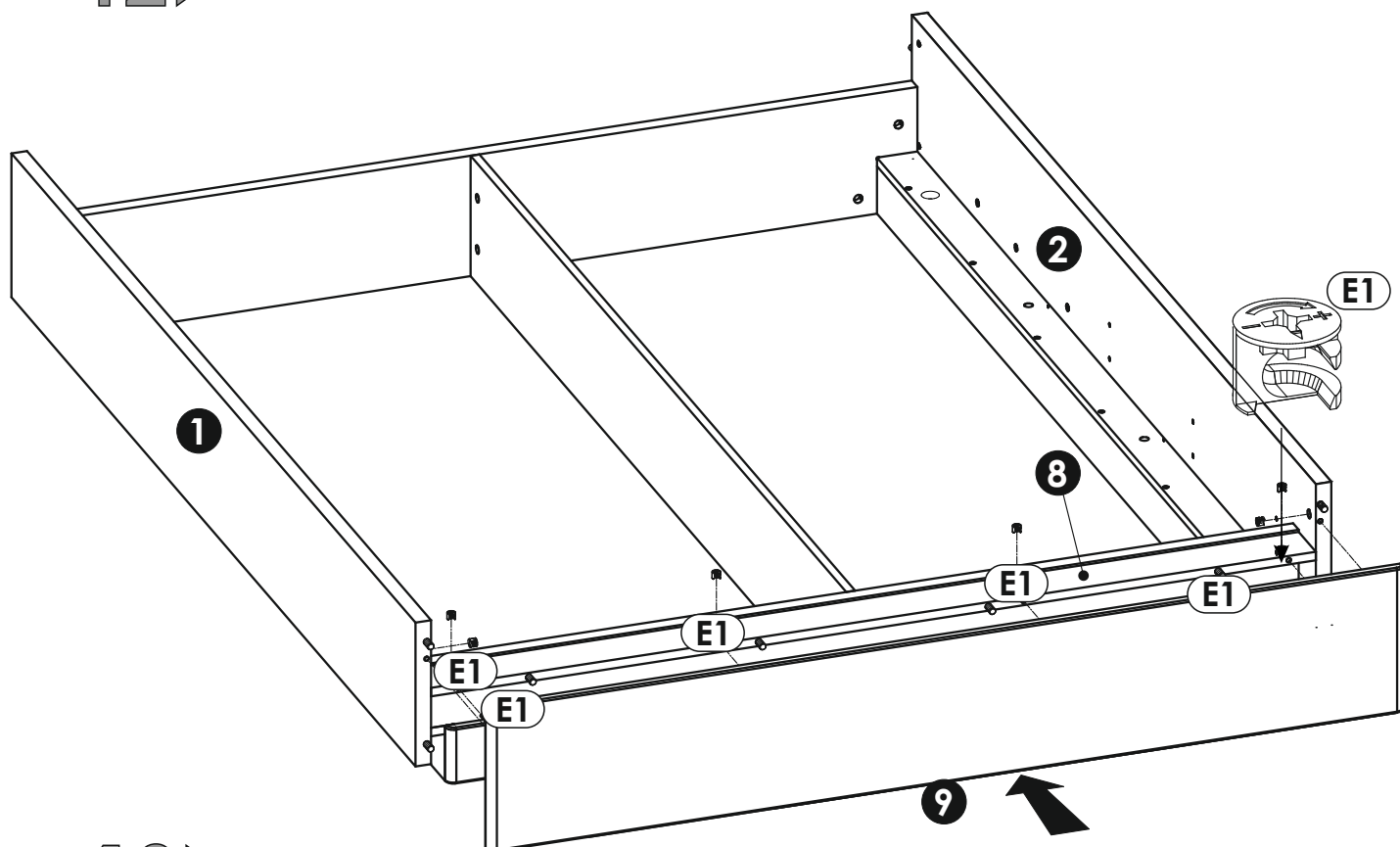
10 ▶



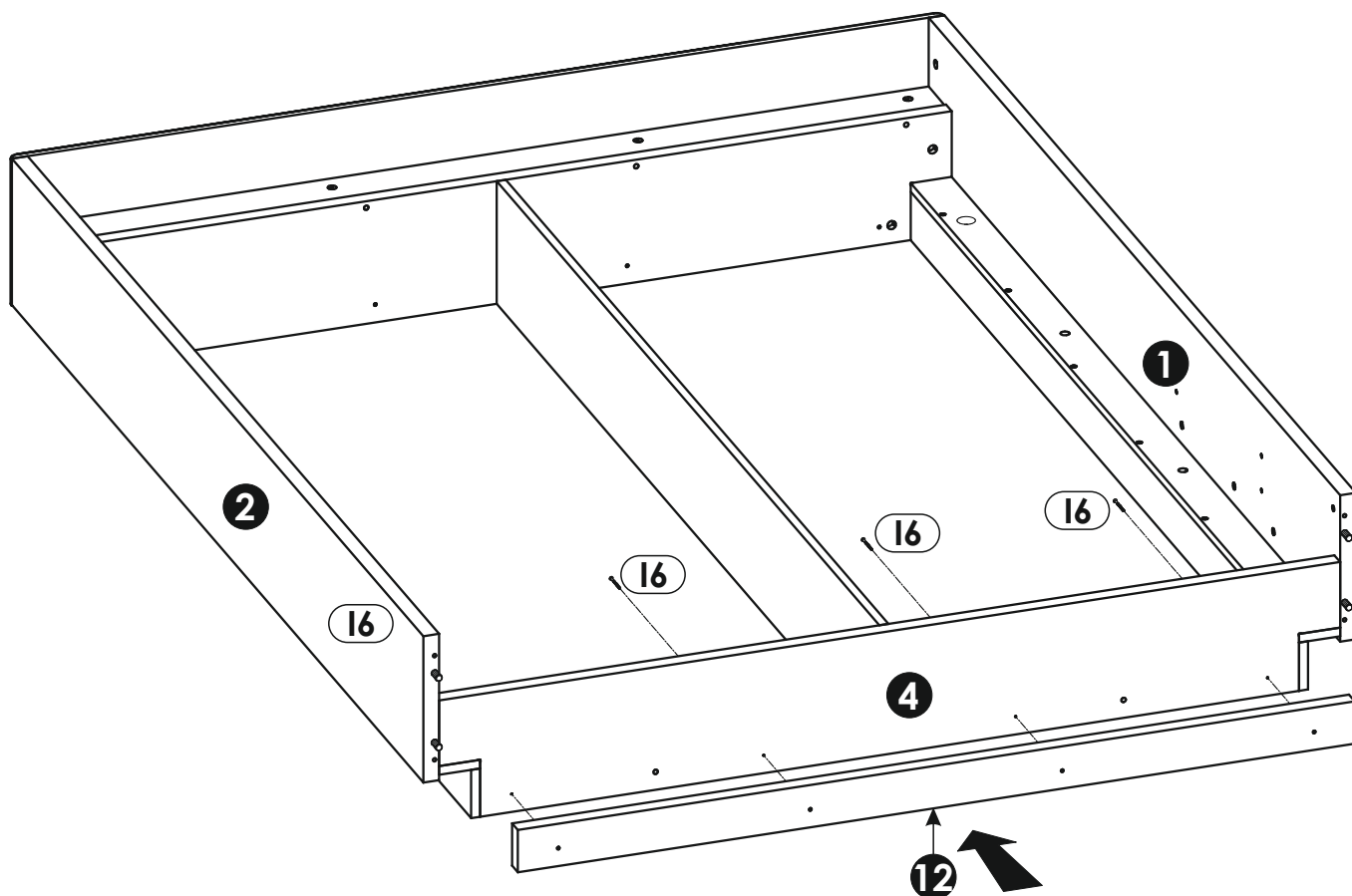
11 ▶



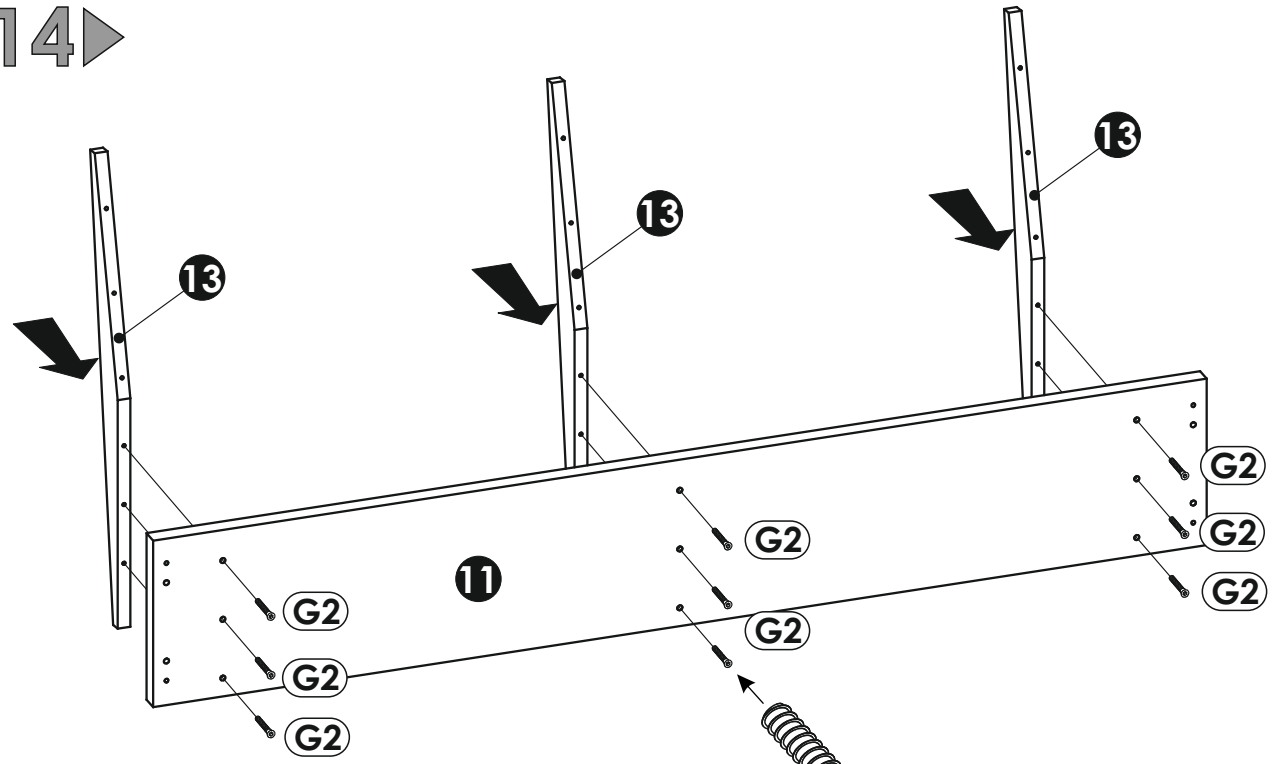
12▶



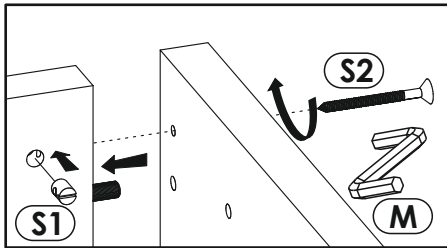
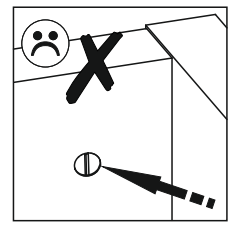
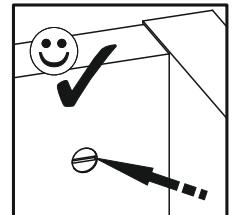
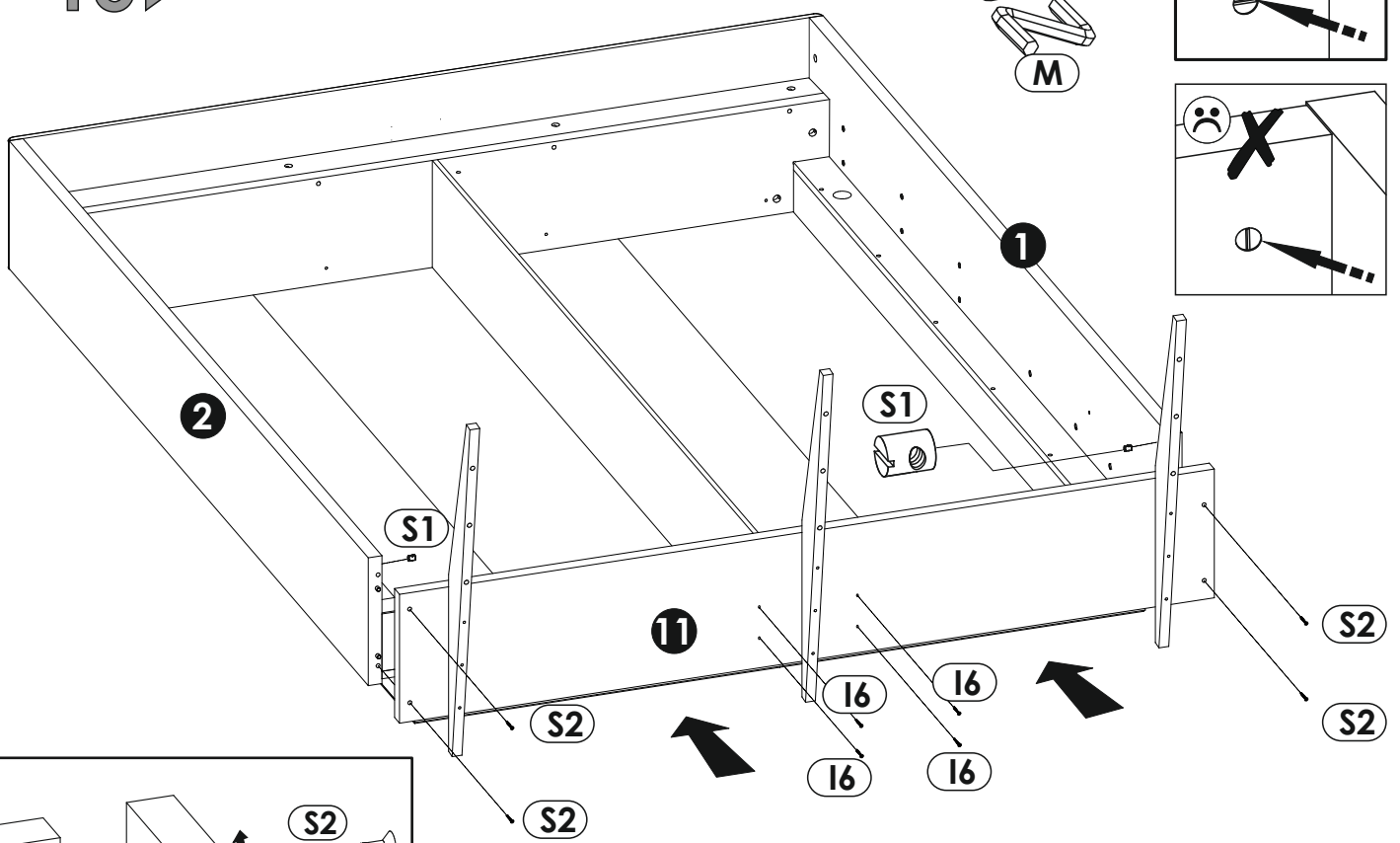
13▶



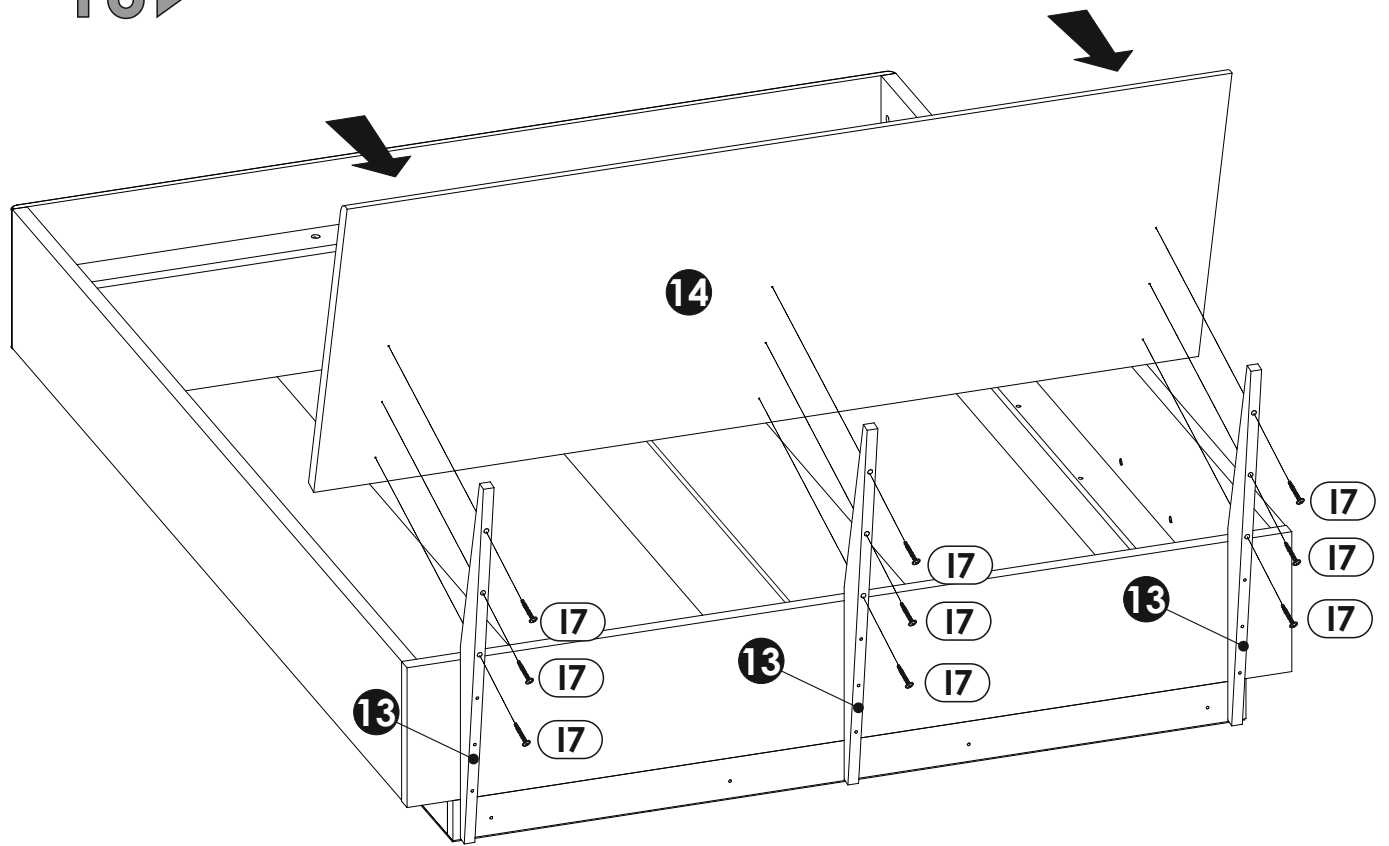
14 ▶



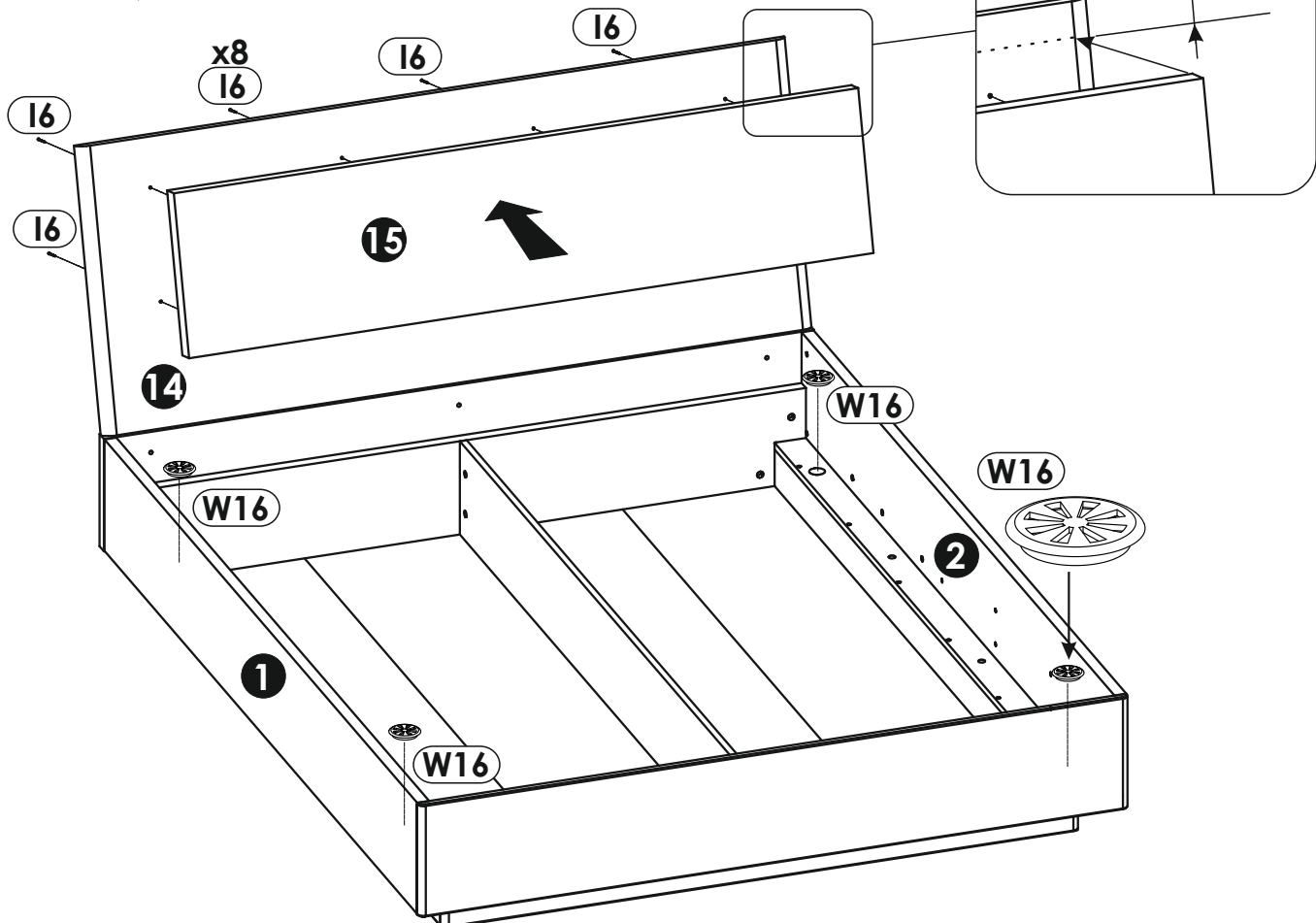
15 ▶



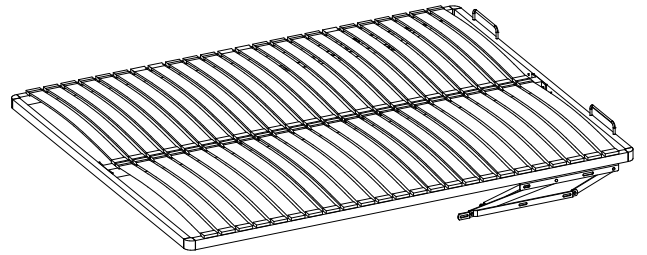
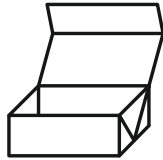
16 ▶



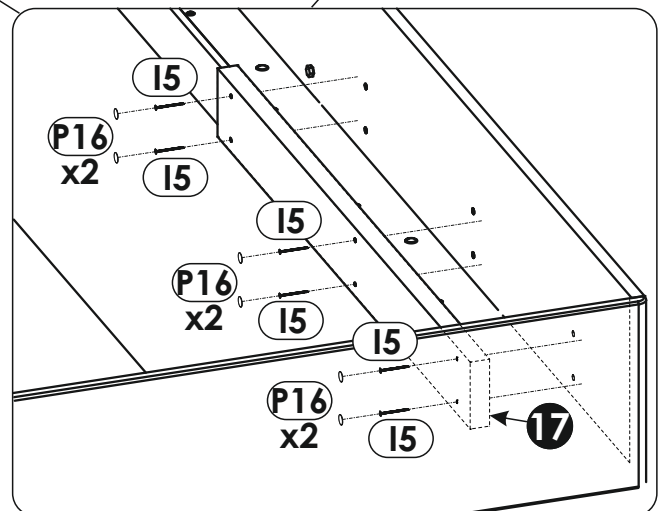
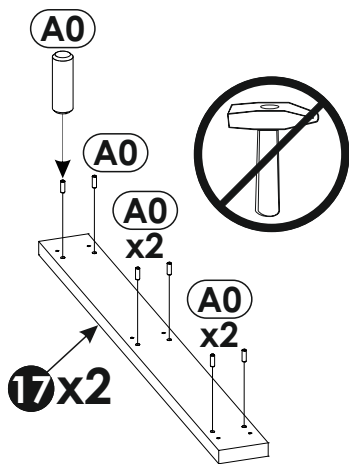
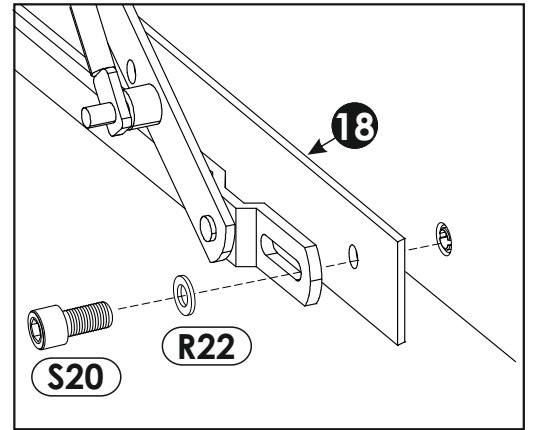
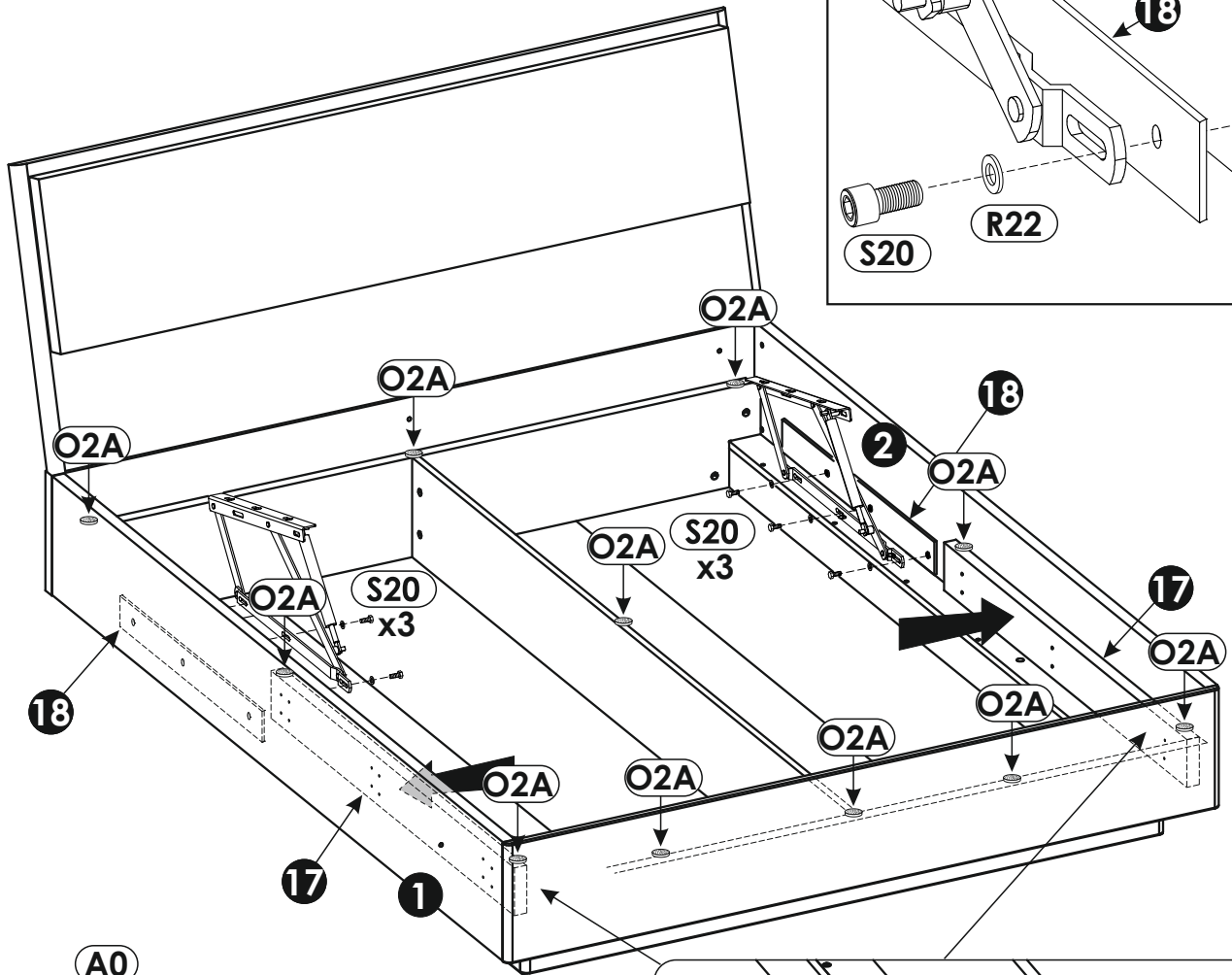
17 ▶



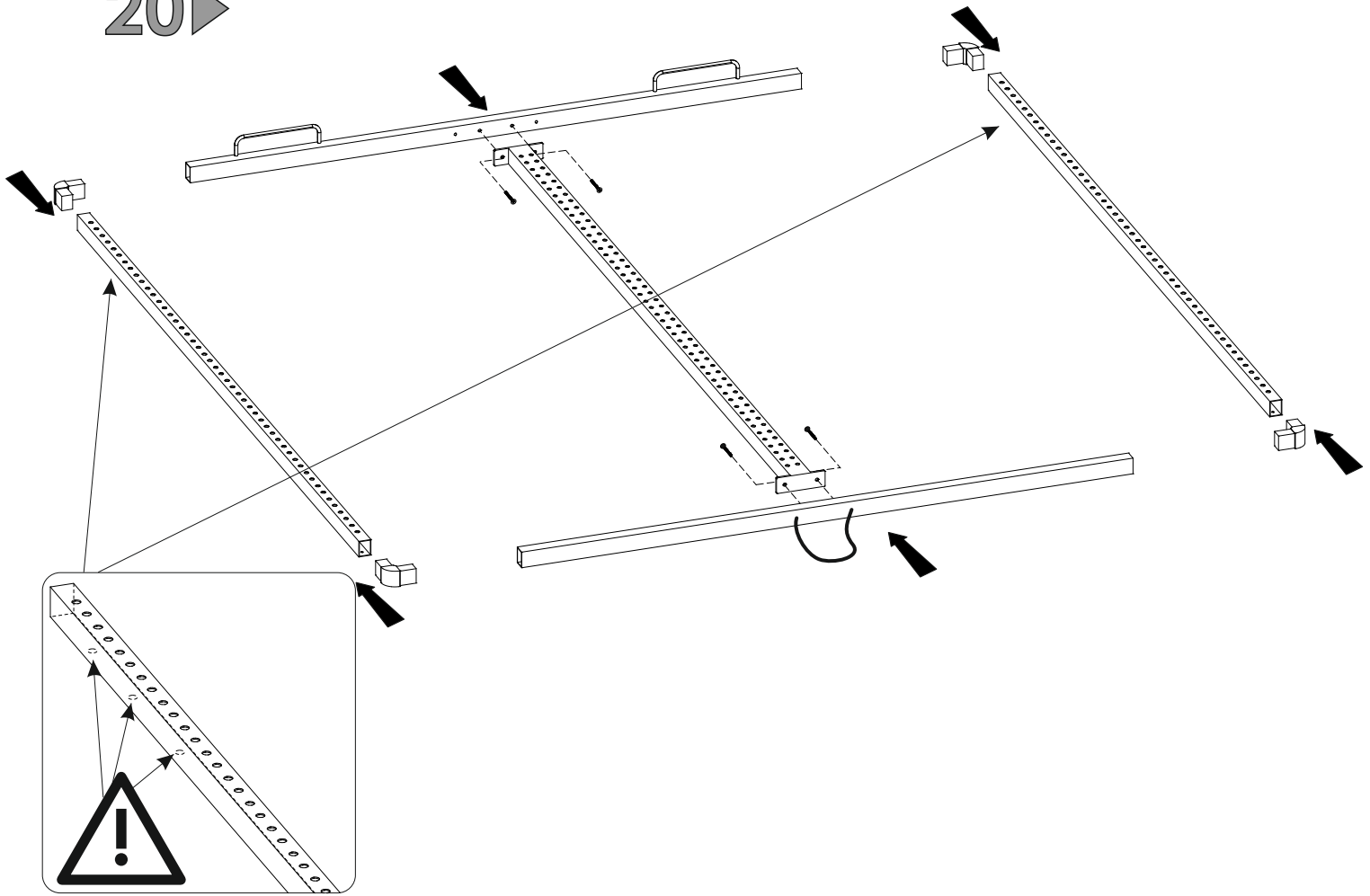
18▶



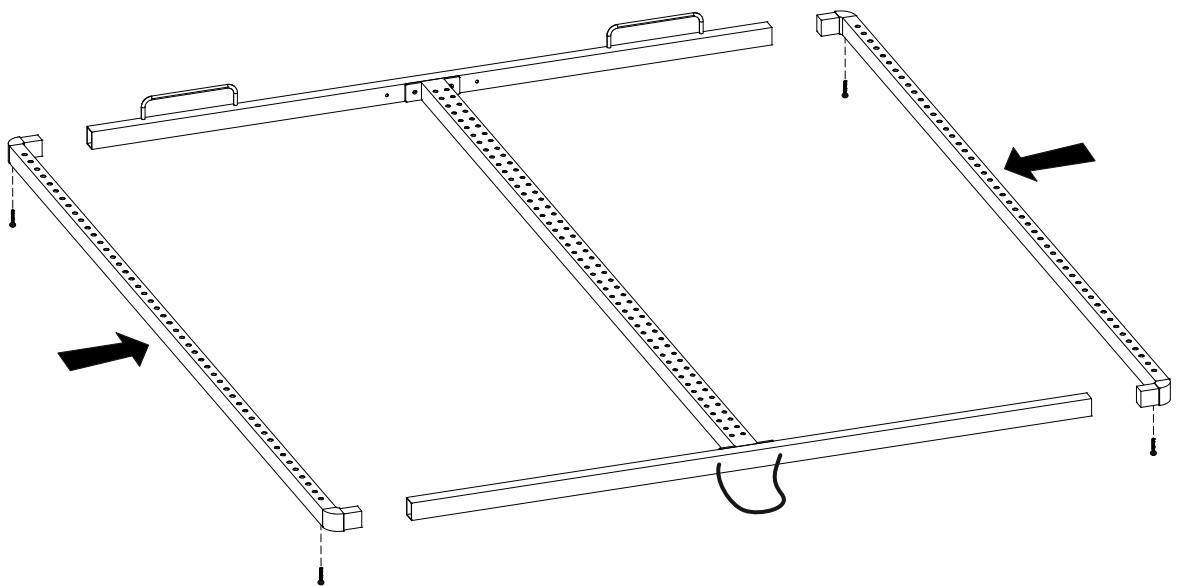
19▶



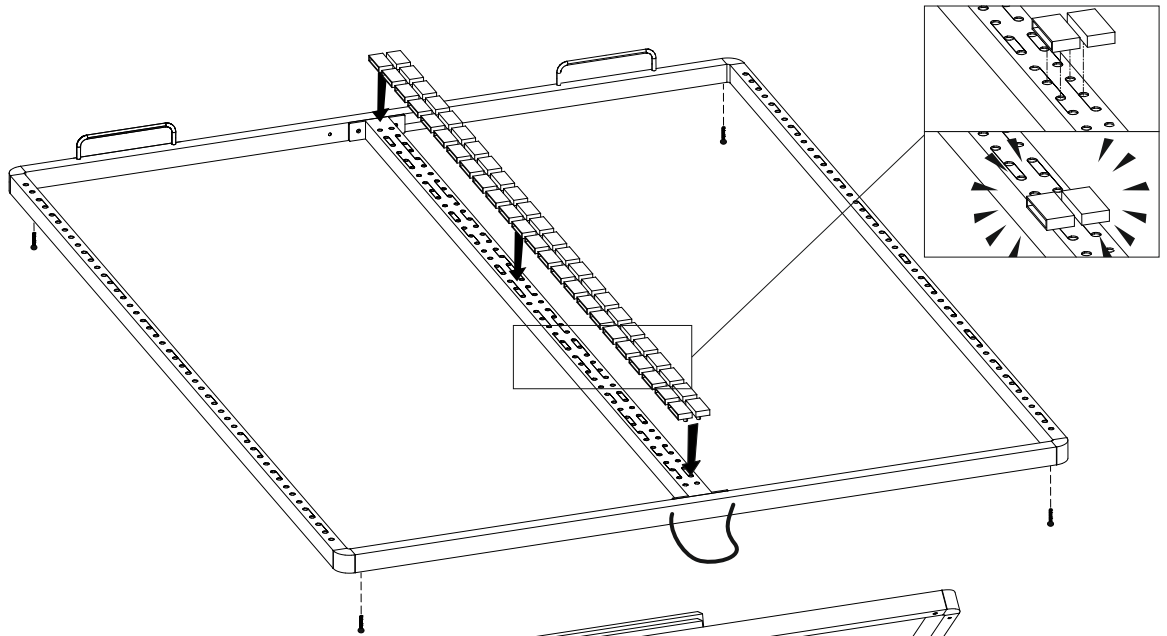
20 ▶



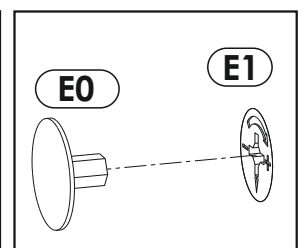
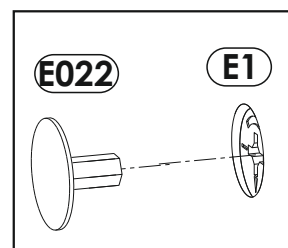
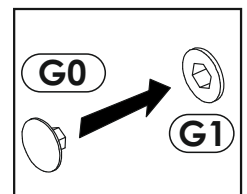
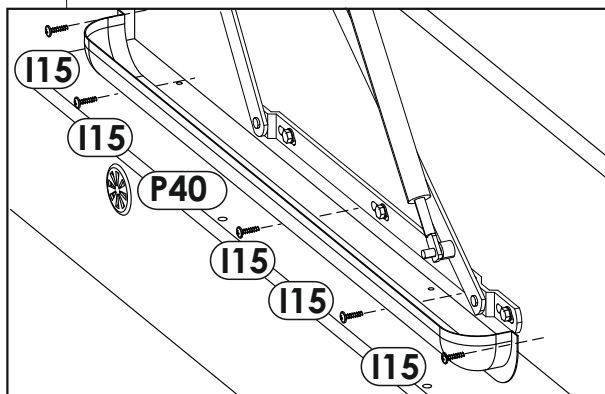
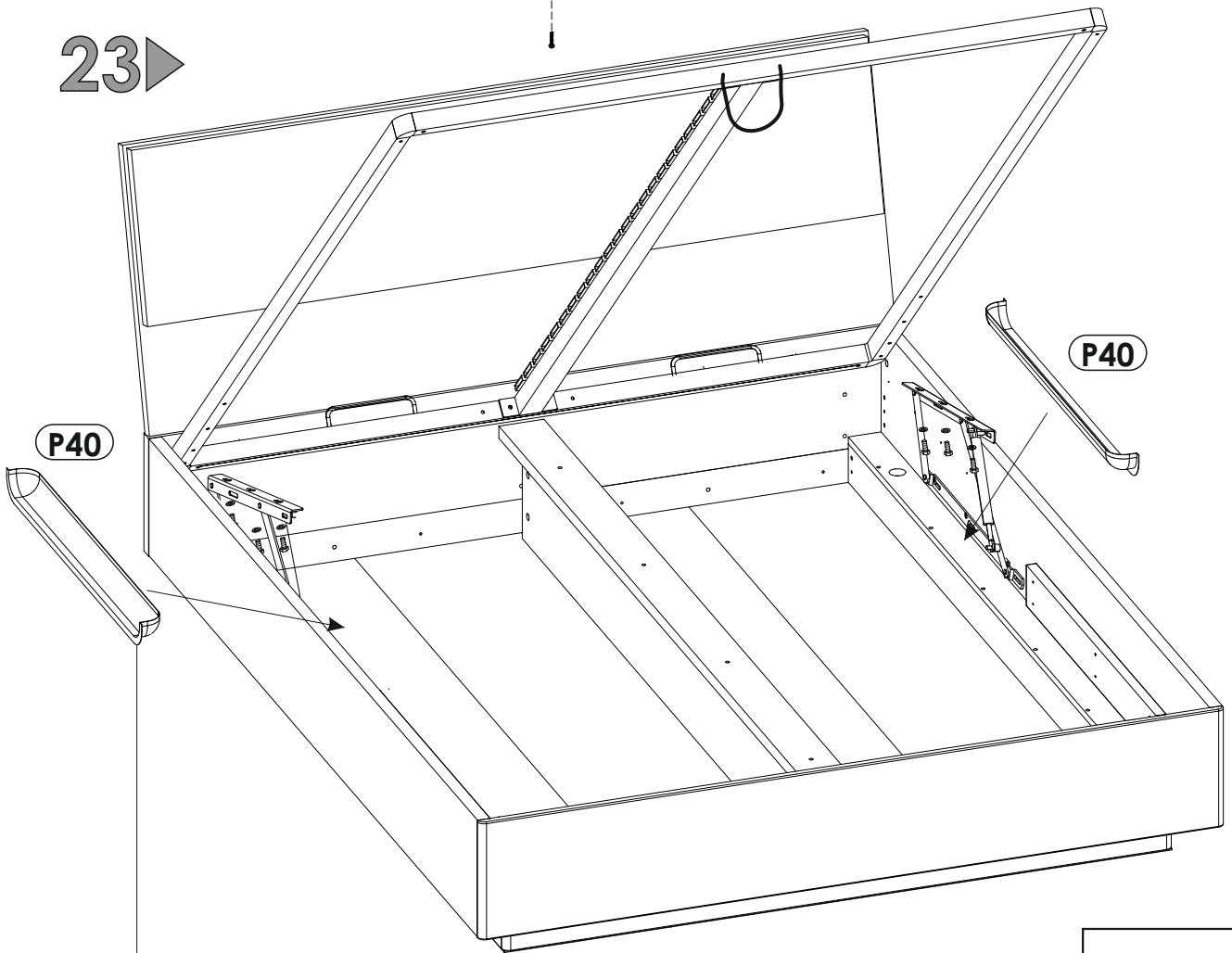
21 ▶



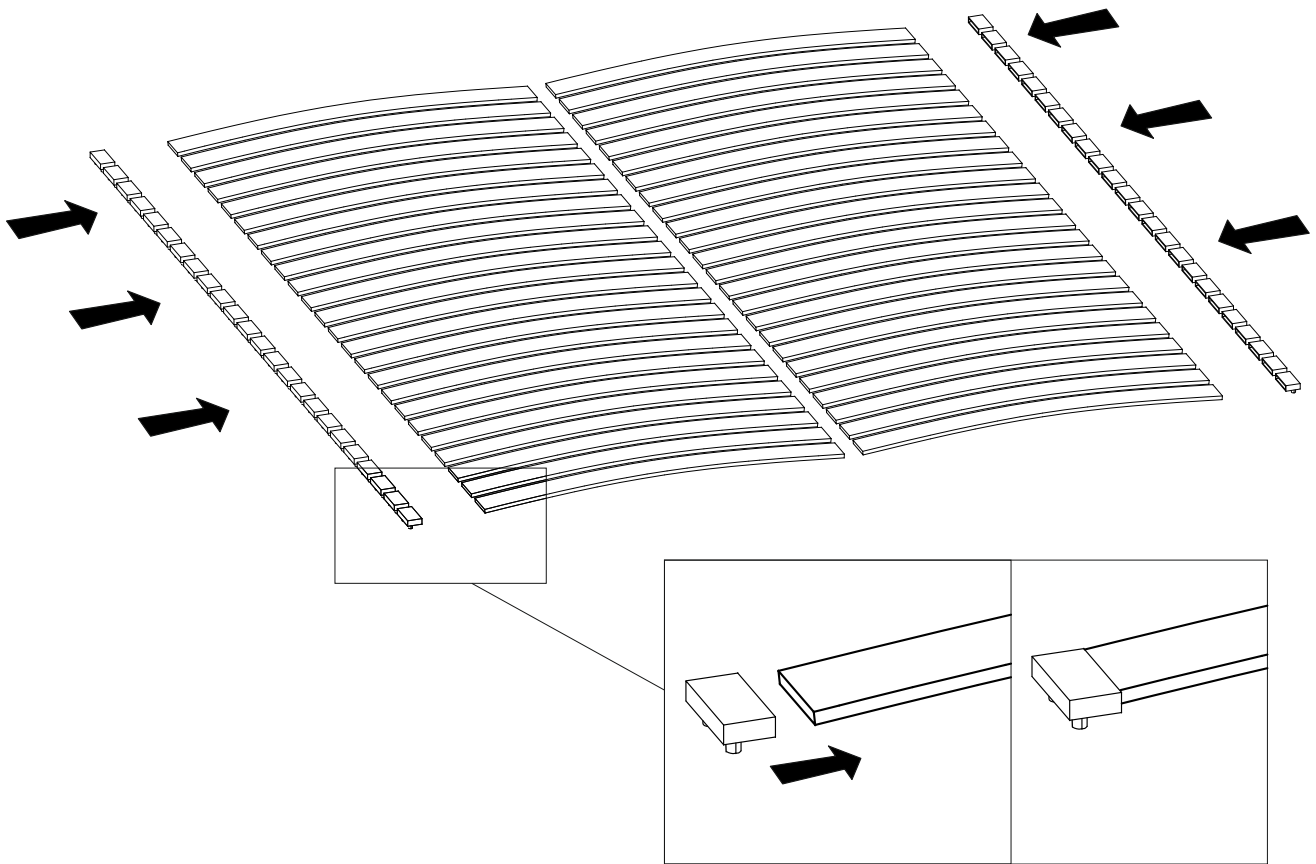
22 ▶



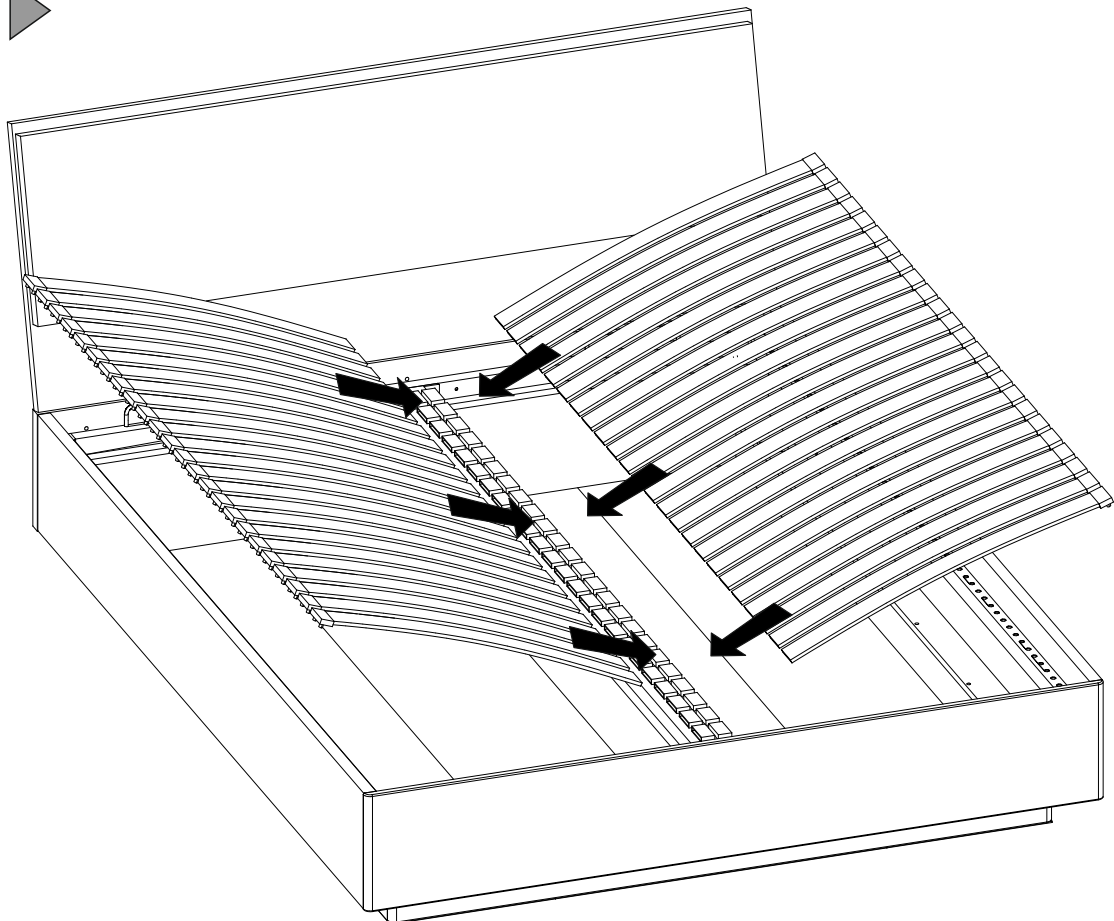
23 ▶



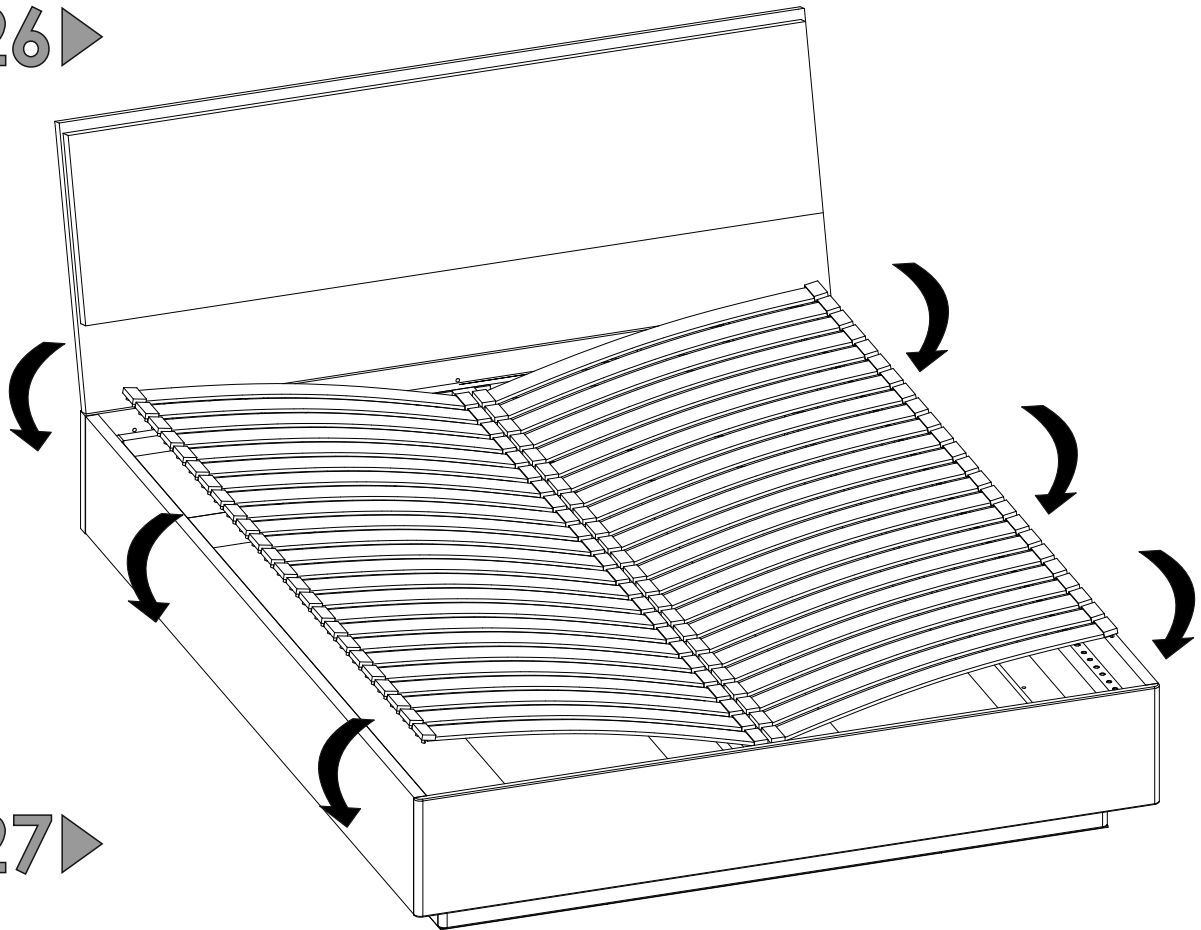
24▶



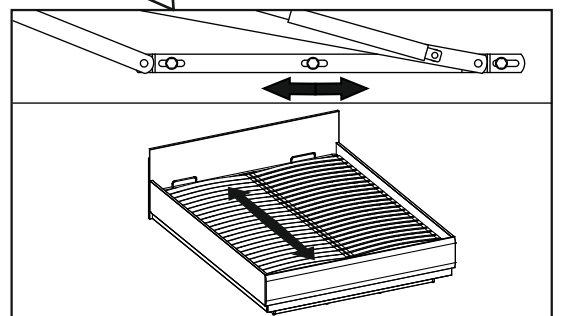
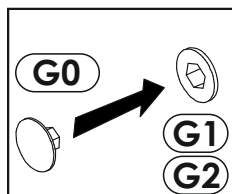
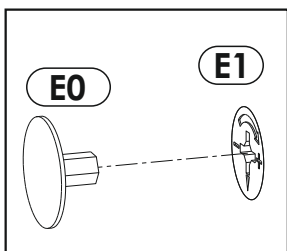
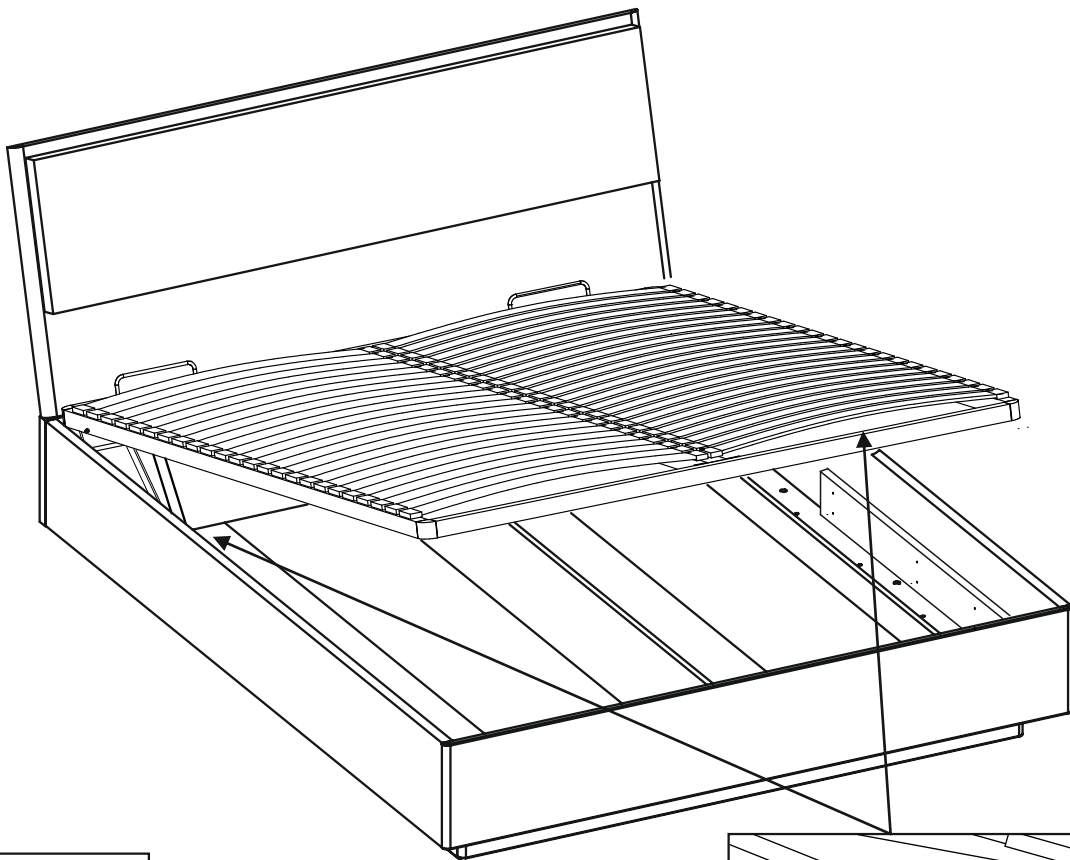
25▶



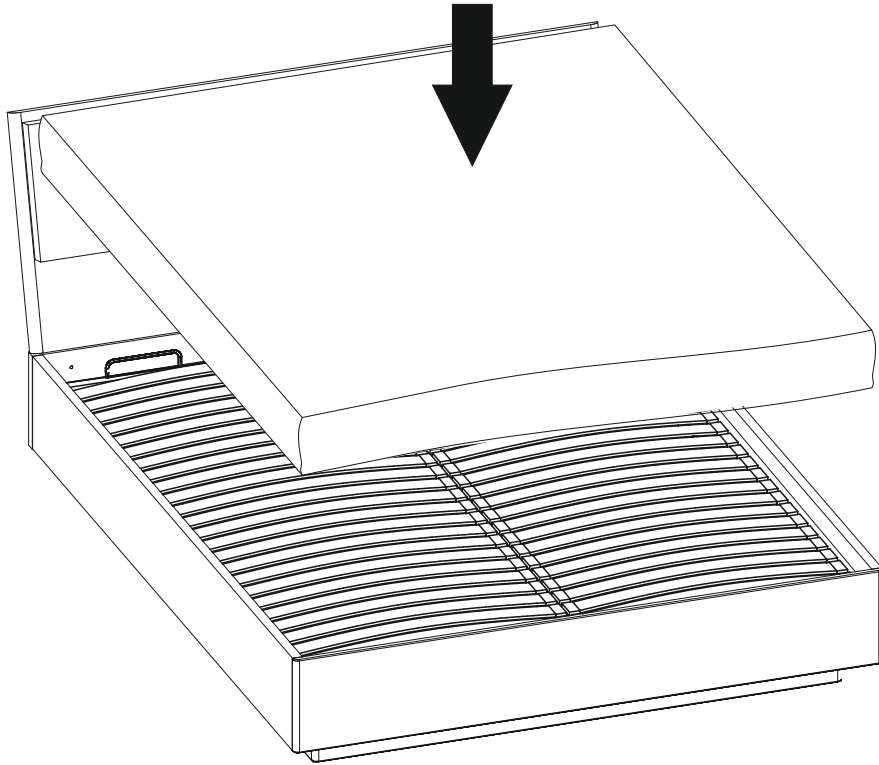
26 ▶



27 ▶



28 ▶



29 ▶

