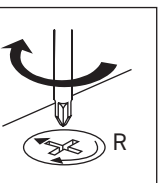
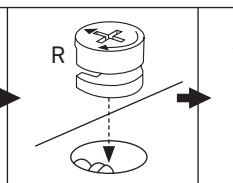
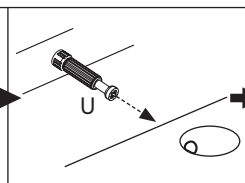
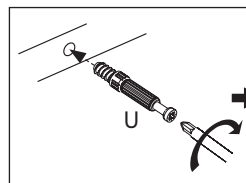
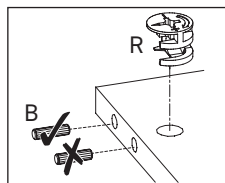
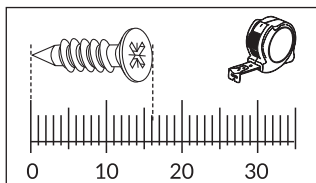


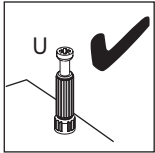
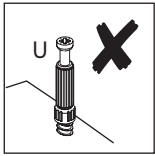
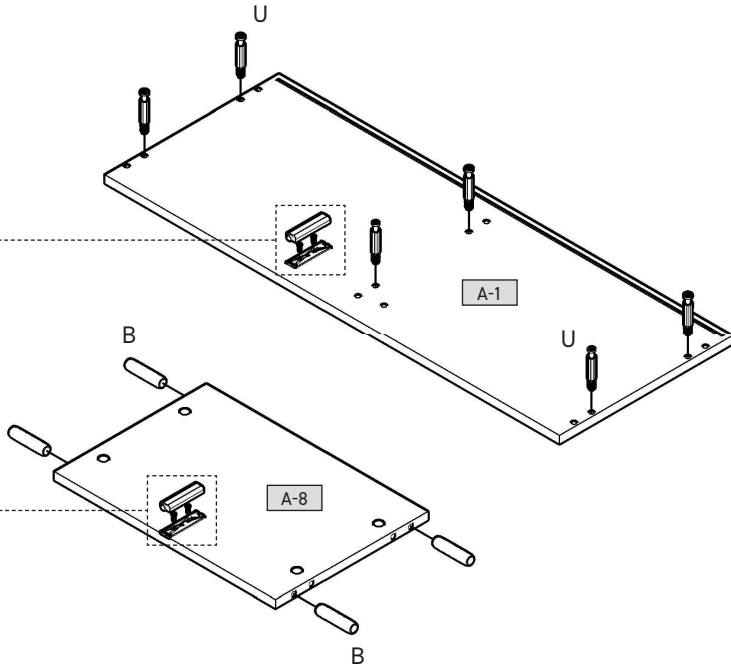
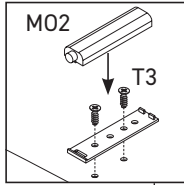
A-1	1033	395	16	x 1	1/2
A-2	1033	395	16	x 1	1/2
A-3	1052	394	16	x 1	1/2
A-4	1052	394	16	x 1	1/2
A-5	1052	372	16	x 1	1/2
A-6	482	300	16	x 2	2/2
A-7	502	345	16	x 1	2/2
A-8	502	345	16	x 1	1/2
A-9	1052	90	16	x 1	2/2
A-10	1048	24	16	x 1	1/2
A-11	426	1046	16	x 1	2/2
A-12	496	626	16	x 1	2/2
A-13	496	206	16	x 2	2/2
A-14	300	120	16	x 2	1/2
A-15	300	120	16	x 2	1/2
A-16	446	120	16	x 2	1/2
A-17	476	306	3	x 2	2/2
A-18	518	1066	3	x 1	2/2
A-19	497	1066	3	x 1	2/2



1



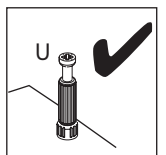
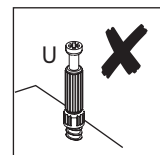
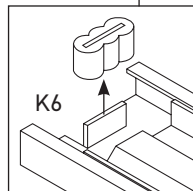
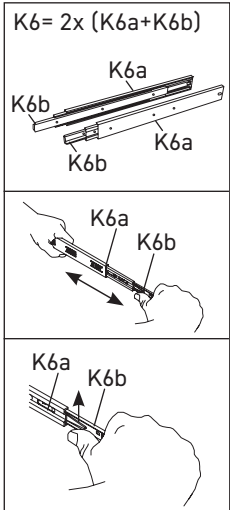
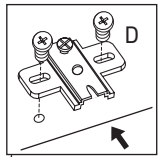
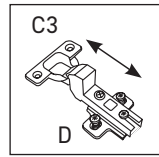
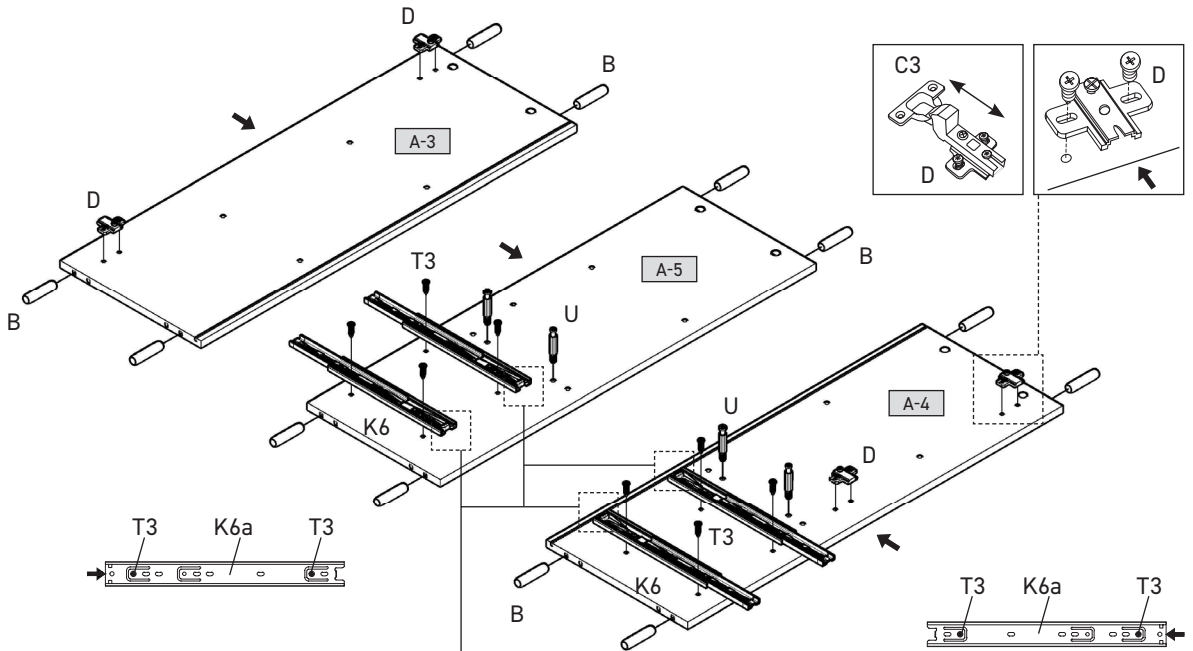
B x4 8x32mm	M02 x2	T3 x4 5x9mm	U x6 L=24,3mm
--------------------------	------------------	--------------------------	----------------------------



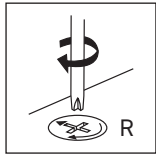
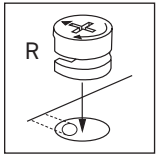
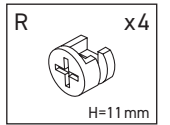
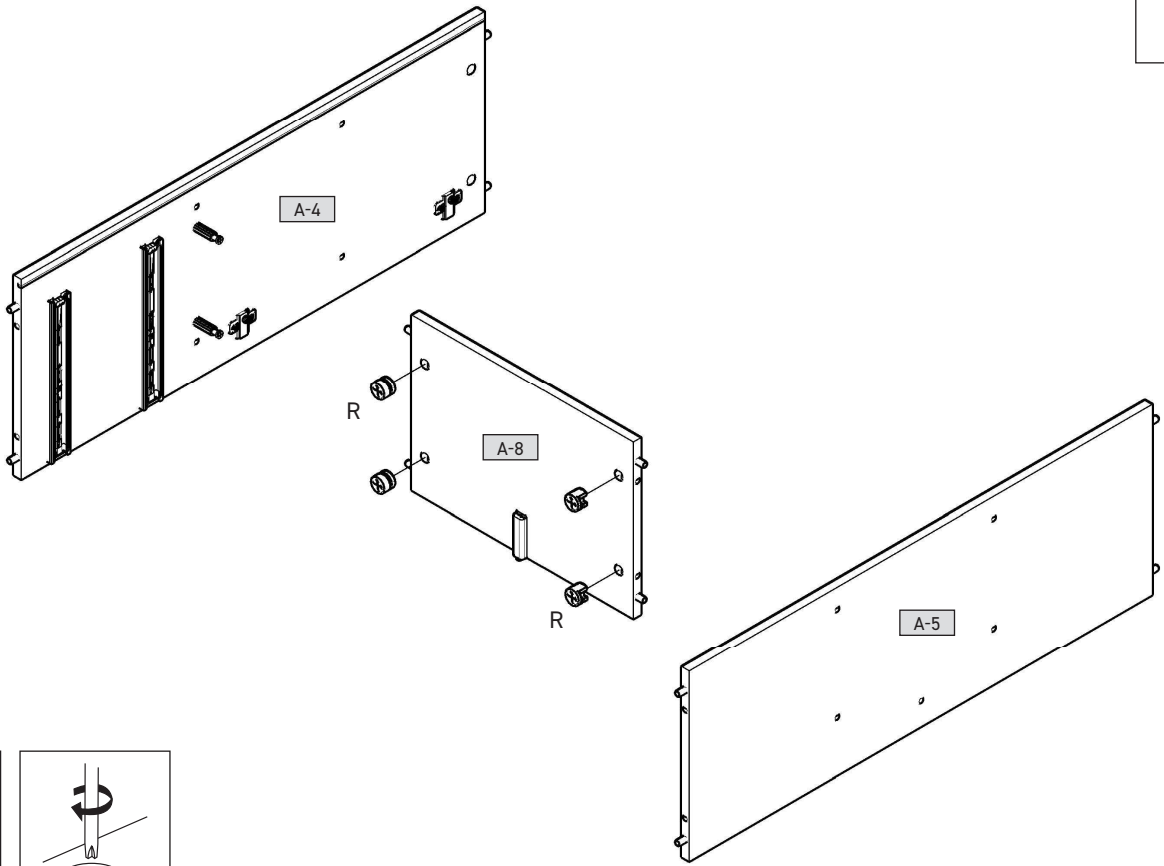
2



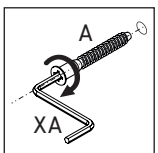
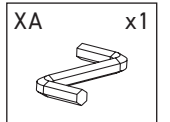
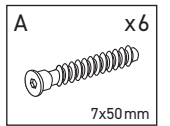
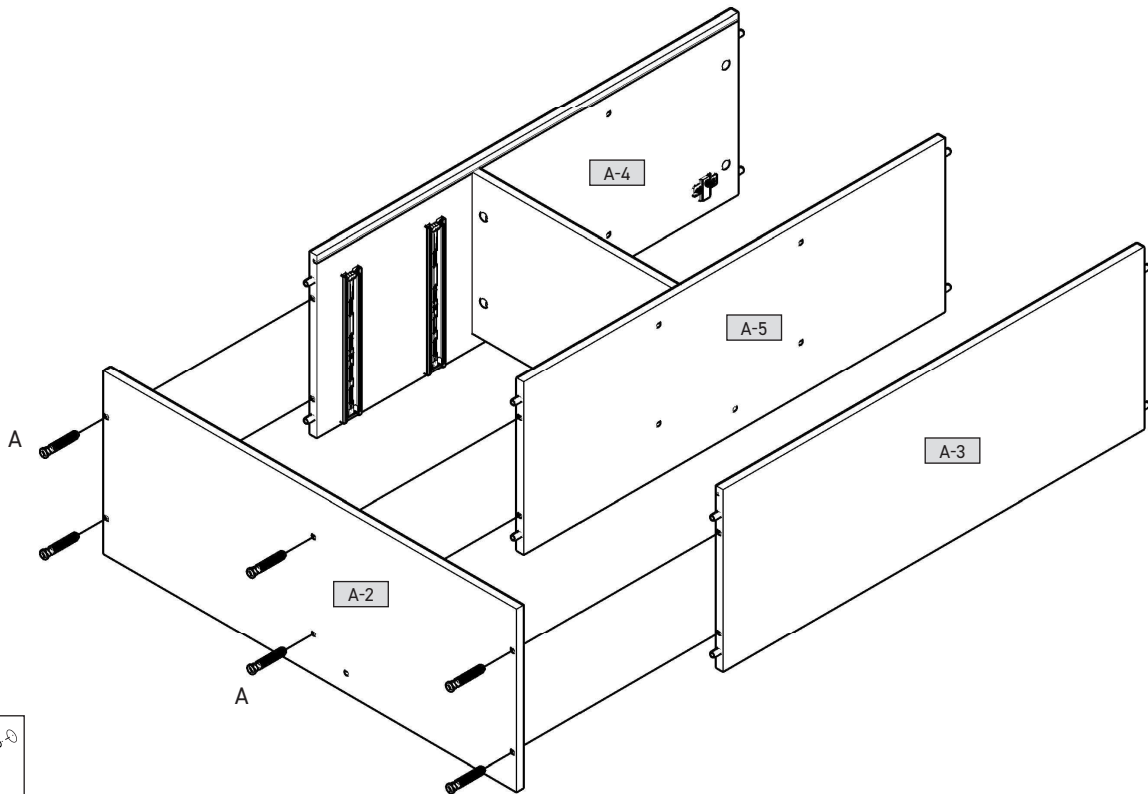
B x12 8x32mm	C3+D x4 W	K6 x2 L=300mm	T3 x8 5x9mm	U x4 L=24,3mm
---------------------------	------------------------	----------------------------	--------------------------	----------------------------



3

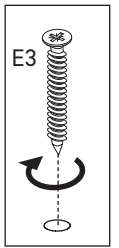
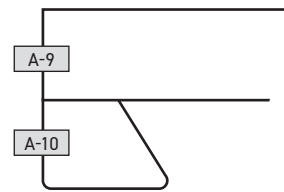
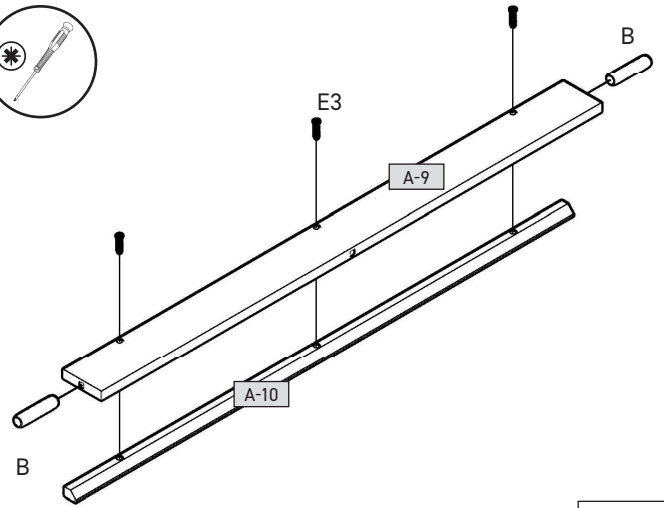
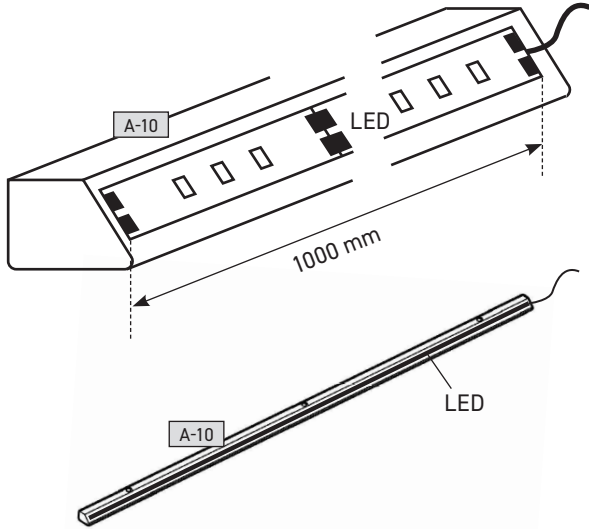
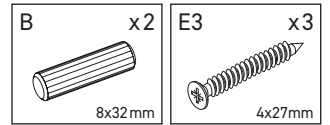


4

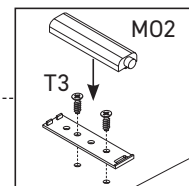
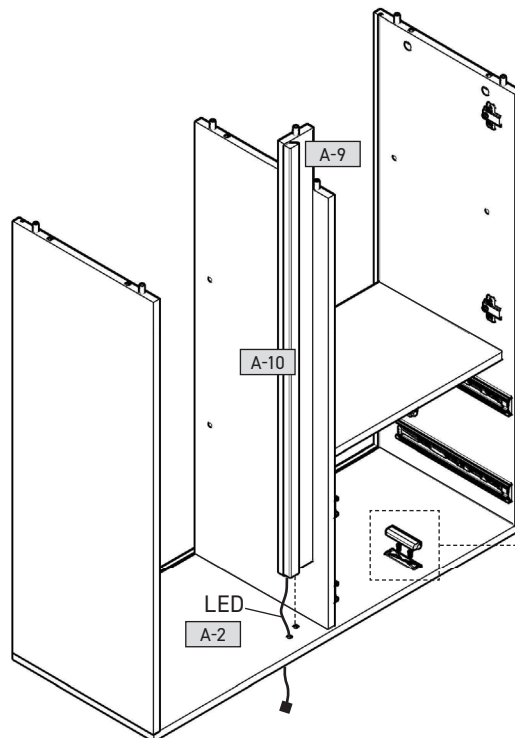
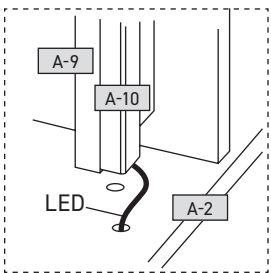
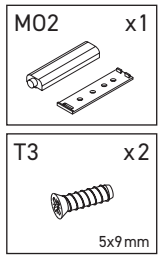




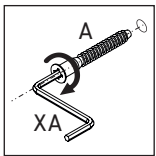
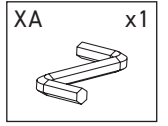
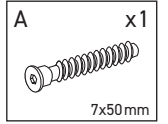
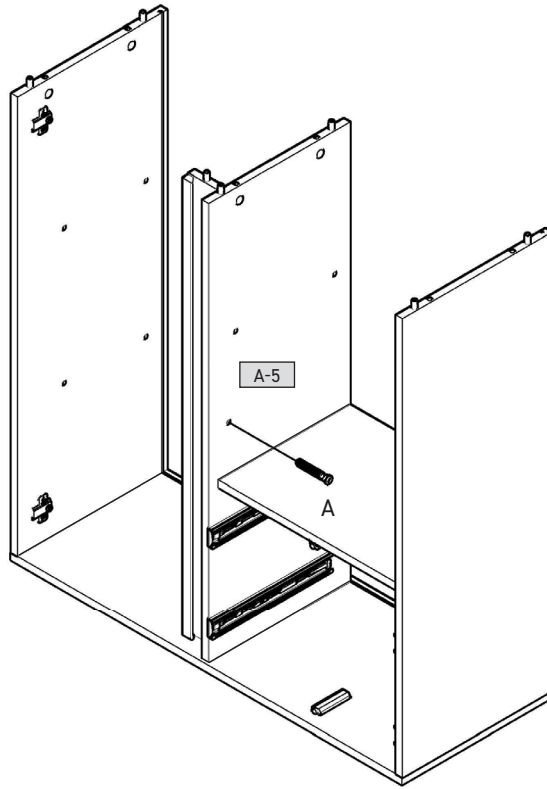
5



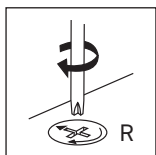
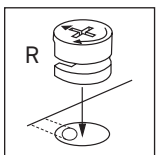
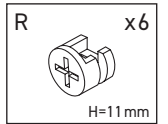
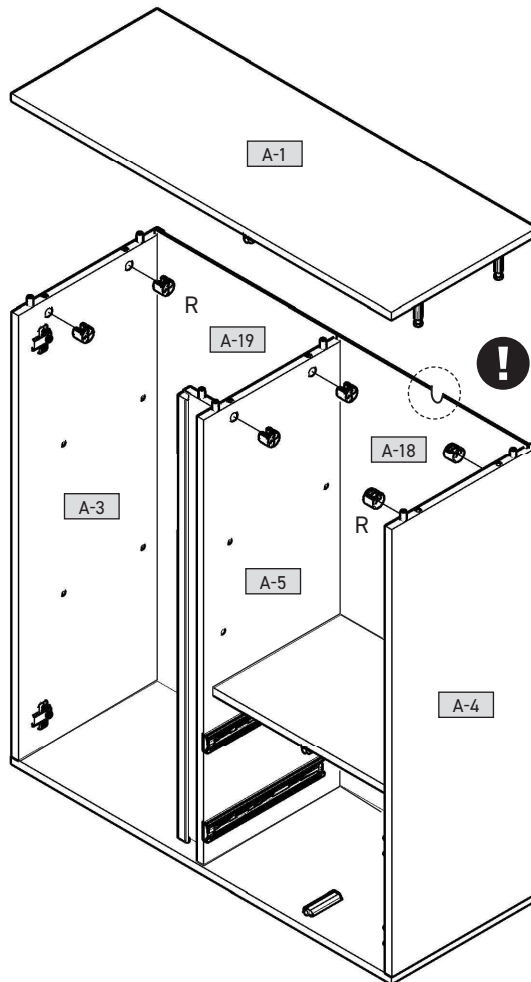
6



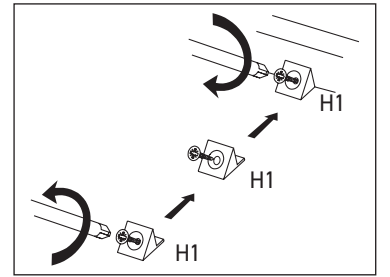
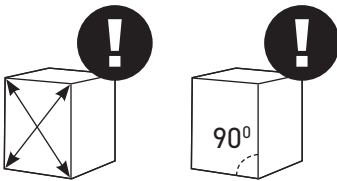
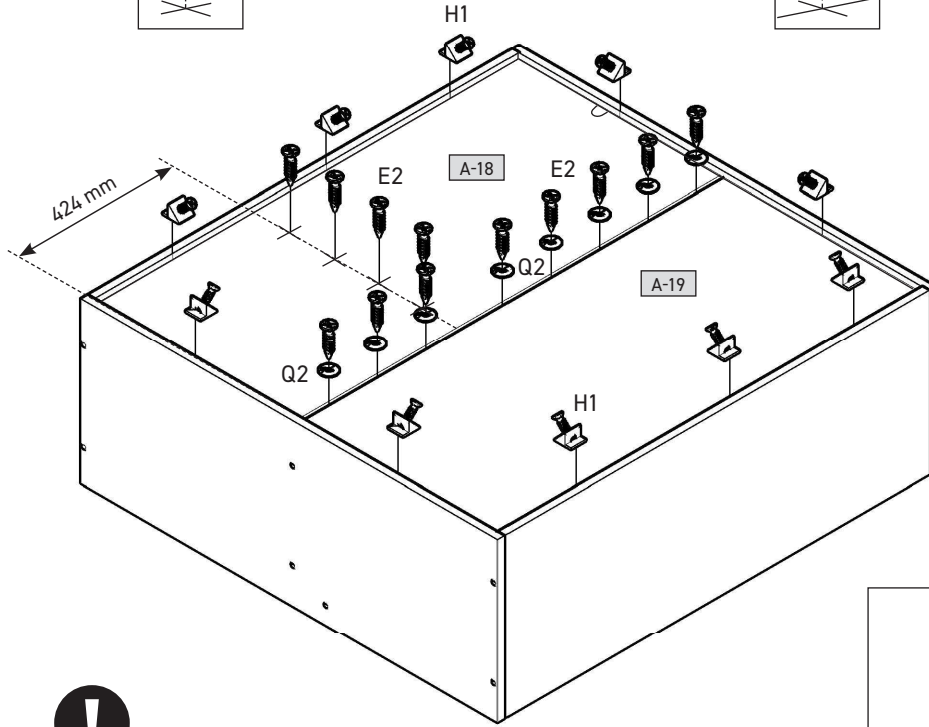
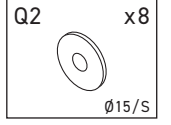
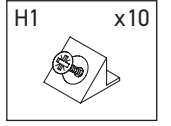
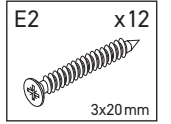
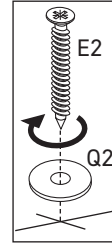
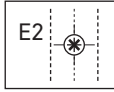
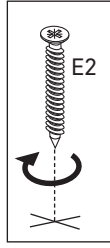
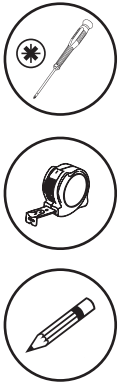
7



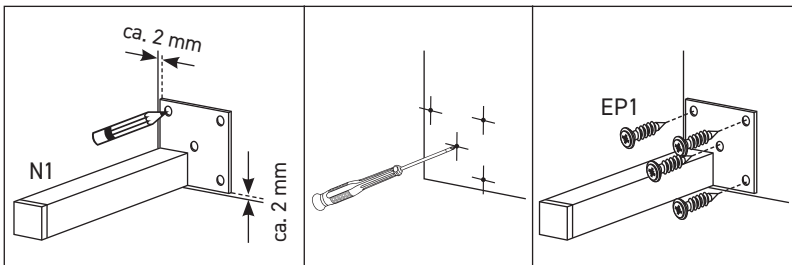
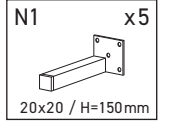
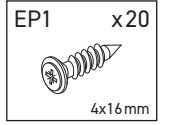
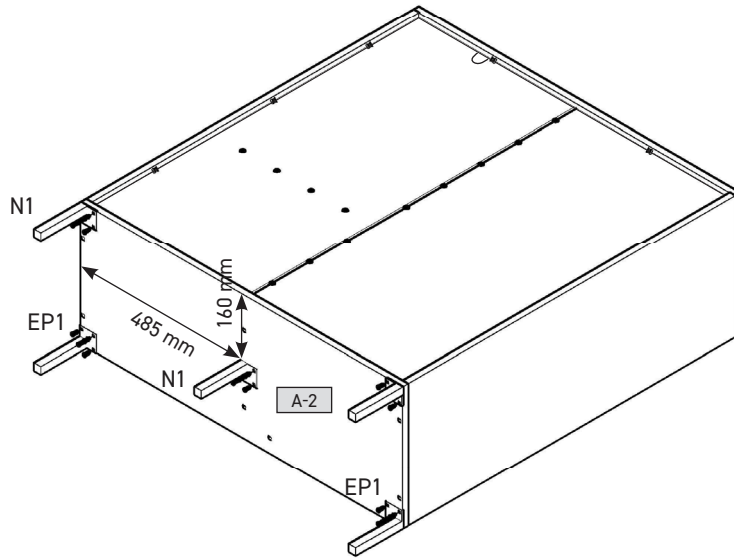
8



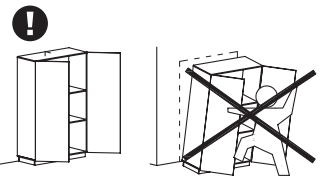
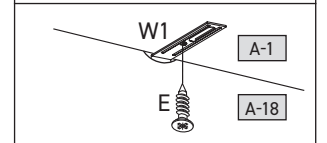
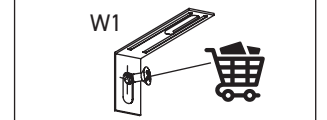
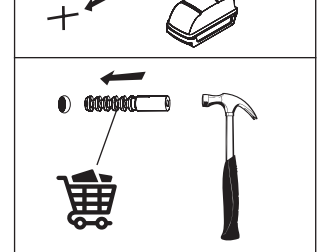
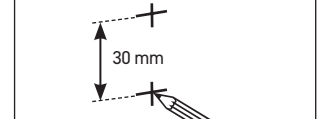
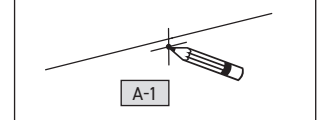
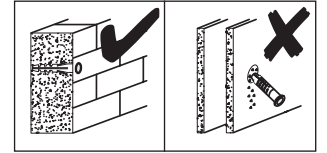
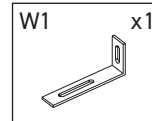
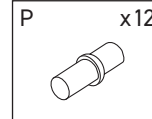
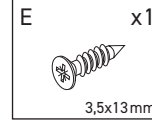
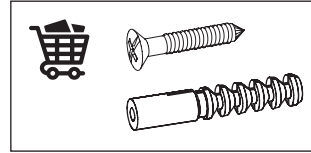
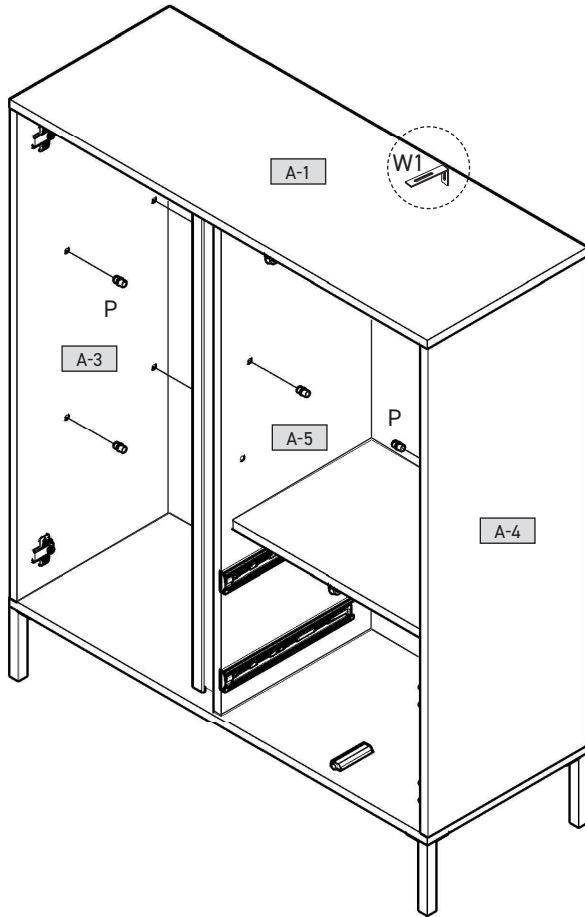
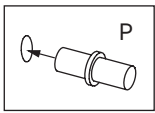
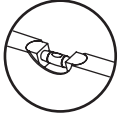
9



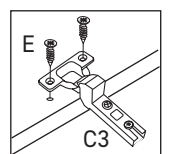
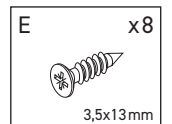
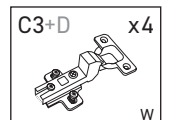
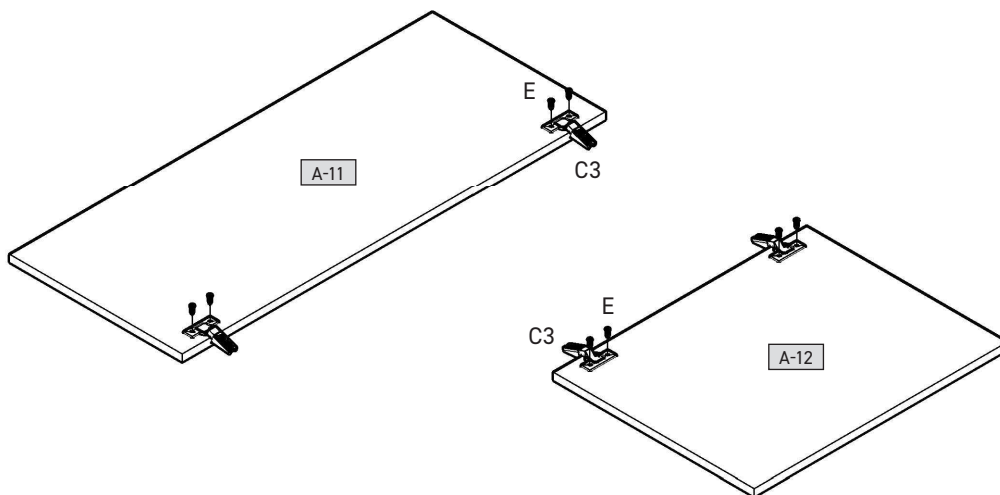
10



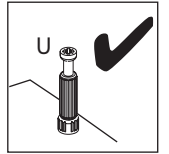
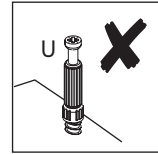
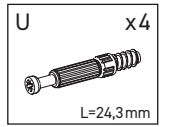
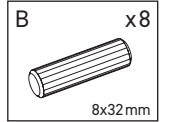
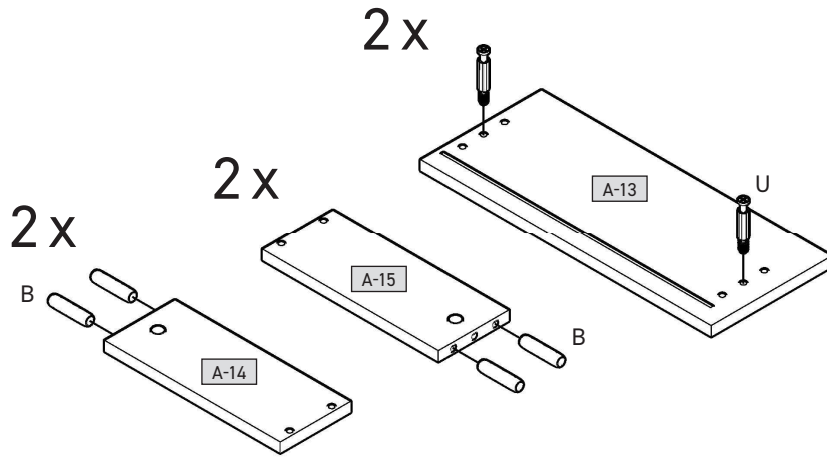
11



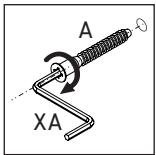
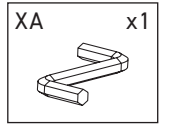
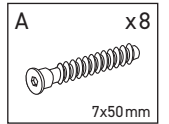
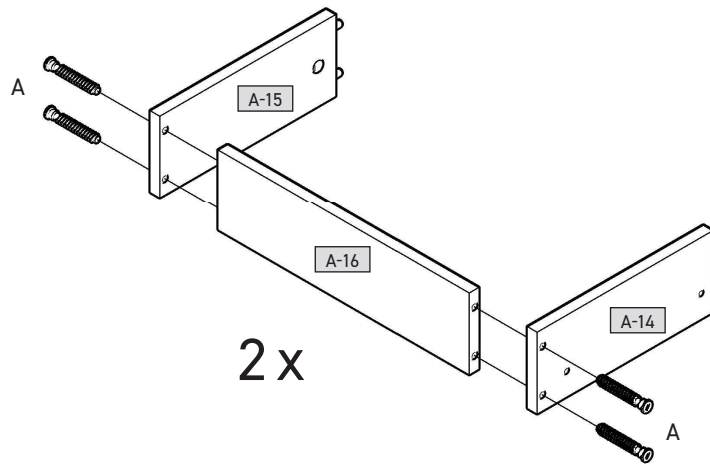
12



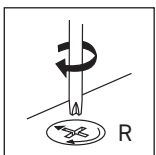
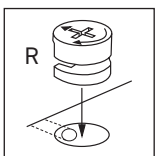
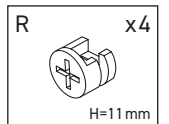
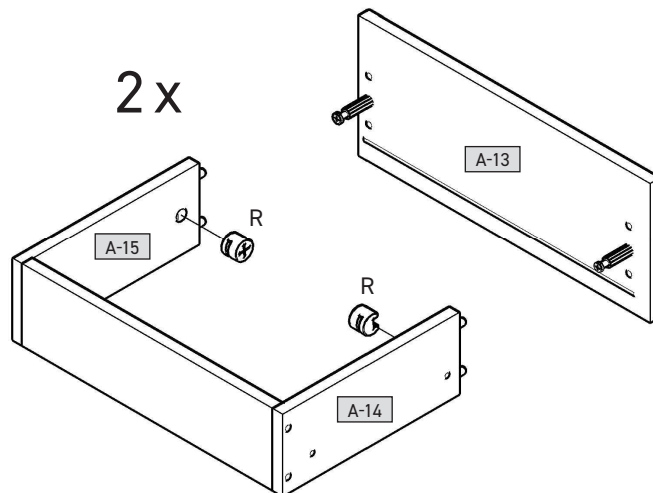
13



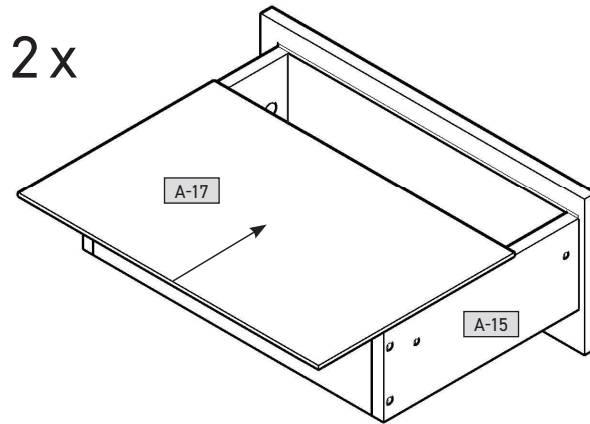
14



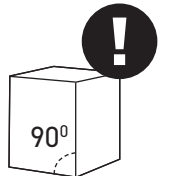
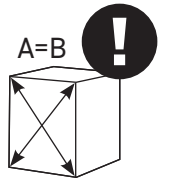
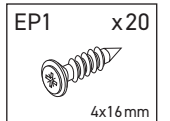
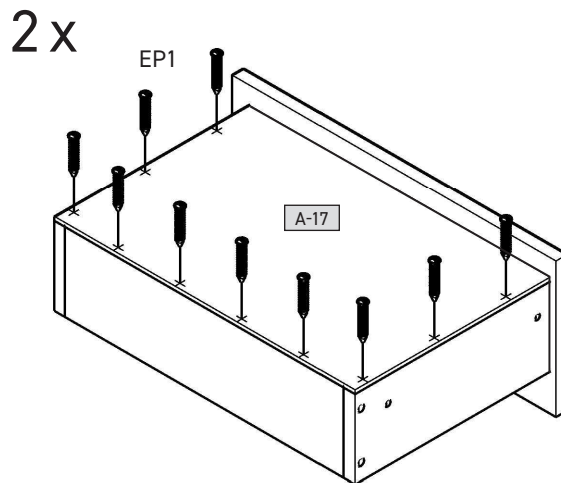
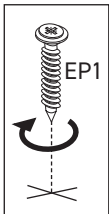
15



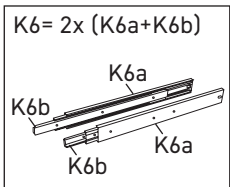
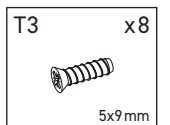
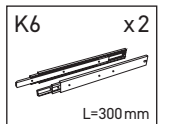
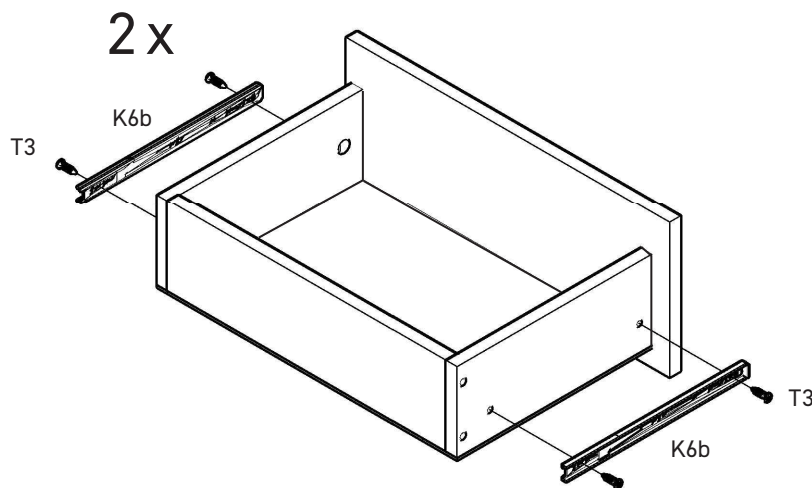
16



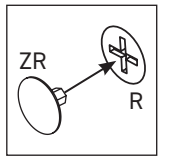
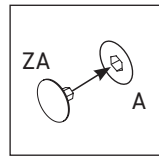
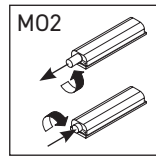
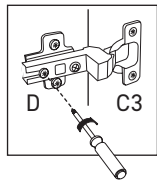
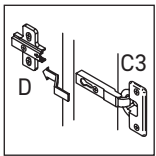
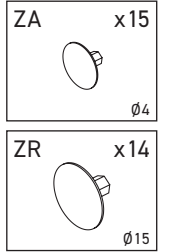
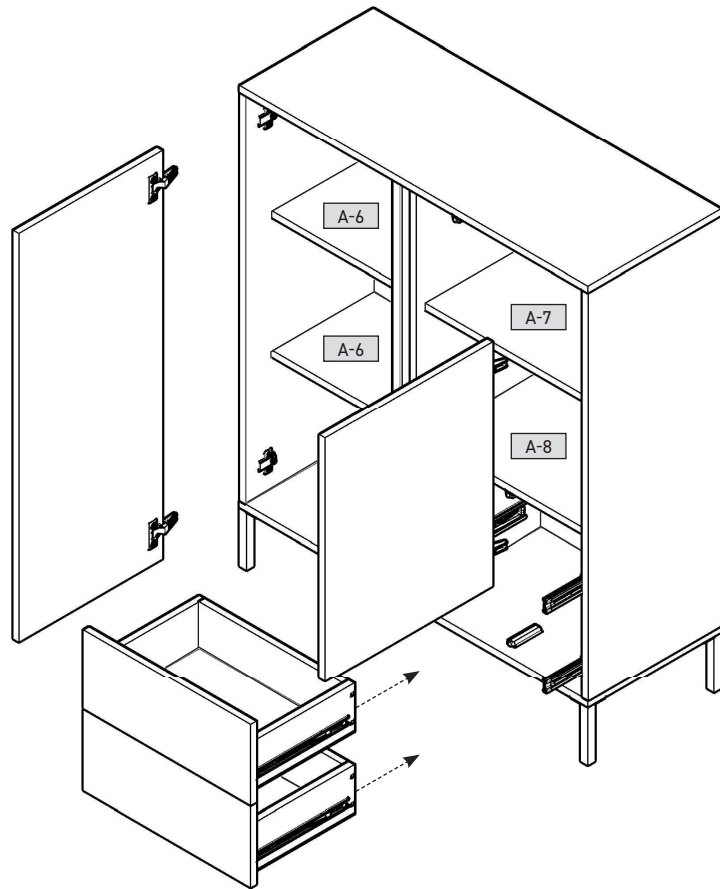
17



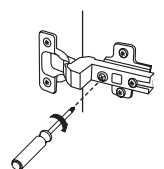
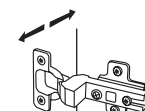
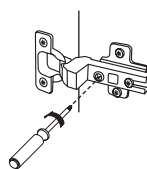
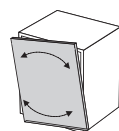
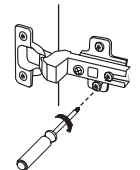
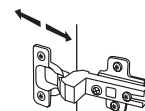
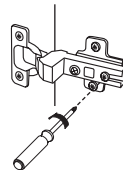
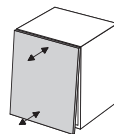
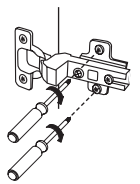
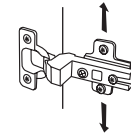
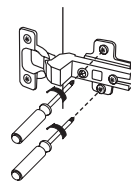
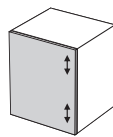
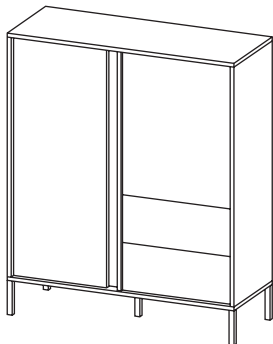
18

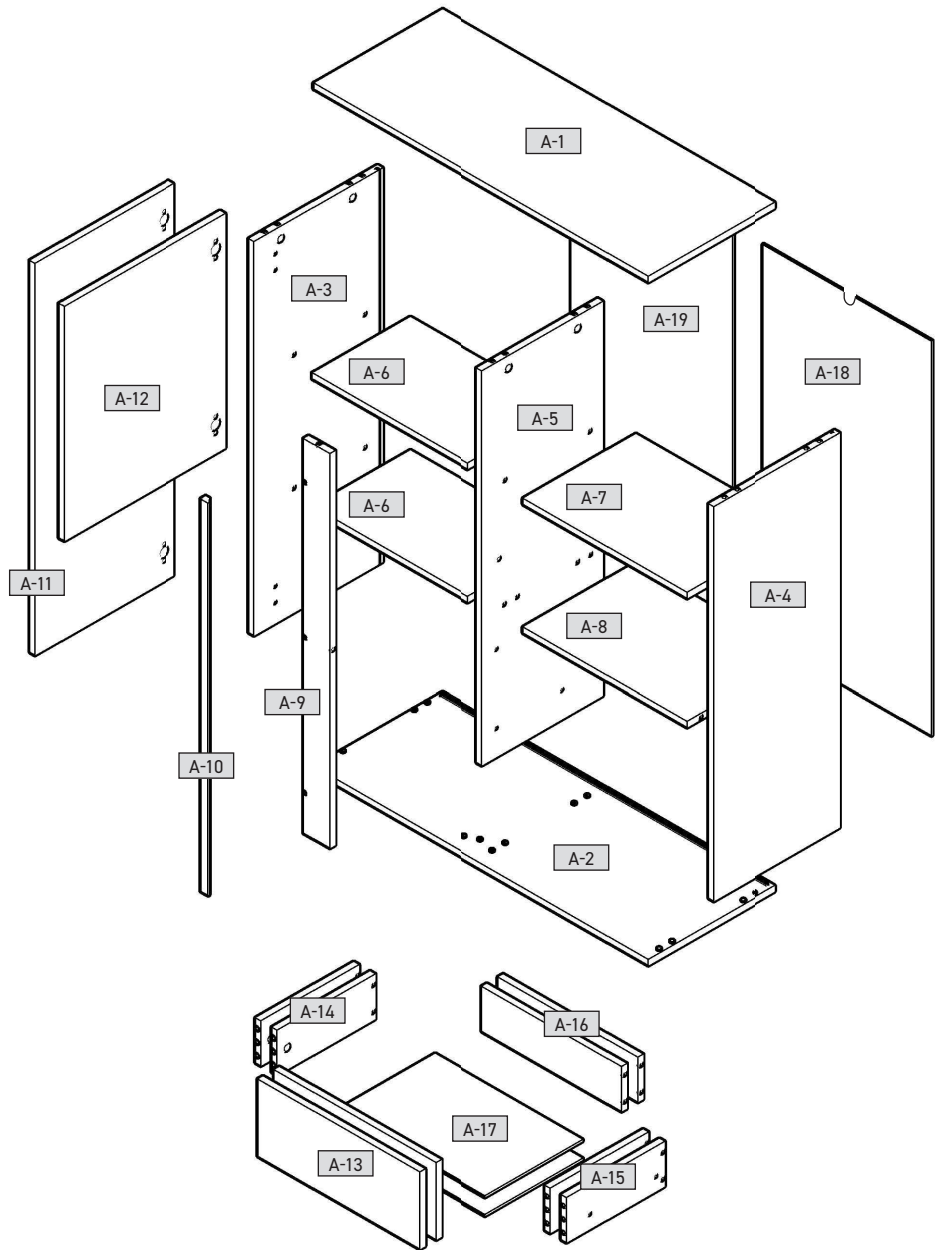
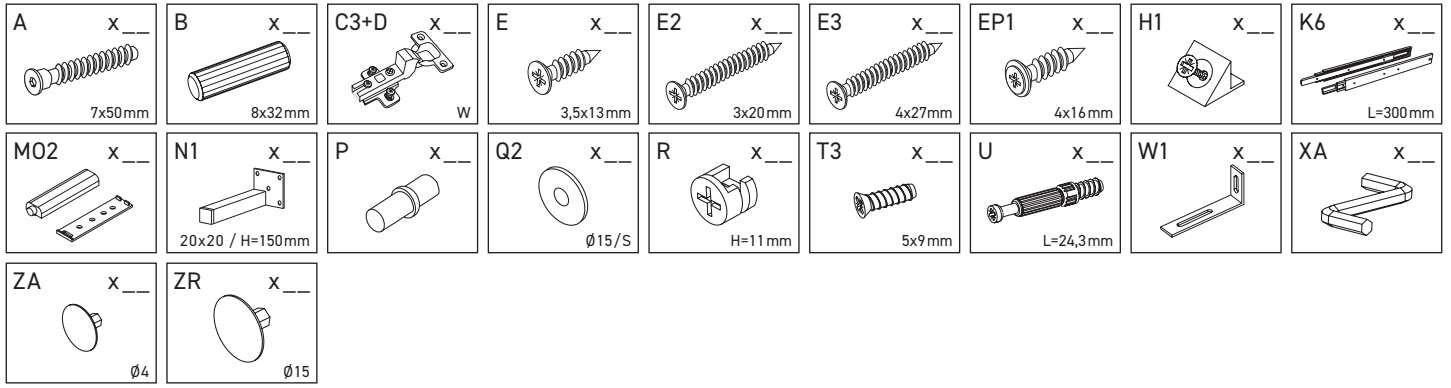


19



20





A-1	1033	395	16	x 1	1/2
A-2	1033	395	16	x 1	1/2
A-3	1052	394	16	x 1	1/2
A-4	1052	394	16	x 1	1/2
A-5	1052	372	16	x 1	1/2
A-6	482	300	16	x 2	2/2
A-7	502	345	16	x 1	2/2
A-8	502	345	16	x 1	1/2
A-9	1052	90	16	x 1	2/2
A-10	1048	24	16	x 1	1/2
A-11	426	1046	16	x 1	2/2
A-12	496	626	16	x 1	2/2
A-13	496	206	16	x 2	2/2
A-14	300	120	16	x 2	1/2
A-15	300	120	16	x 2	1/2
A-16	446	120	16	x 2	1/2
A-17	476	306	3	x 2	2/2
A-18	518	1066	3	x 1	2/2
A-19	497	1066	3	x 1	2/2

