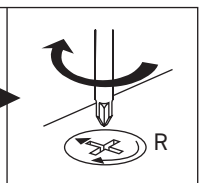
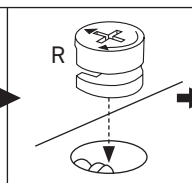
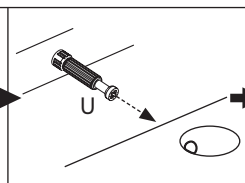
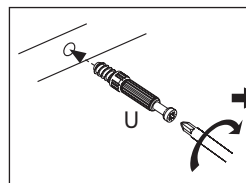
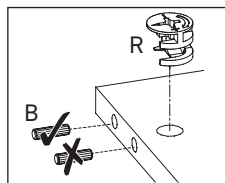
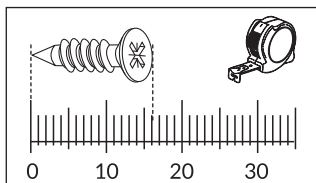
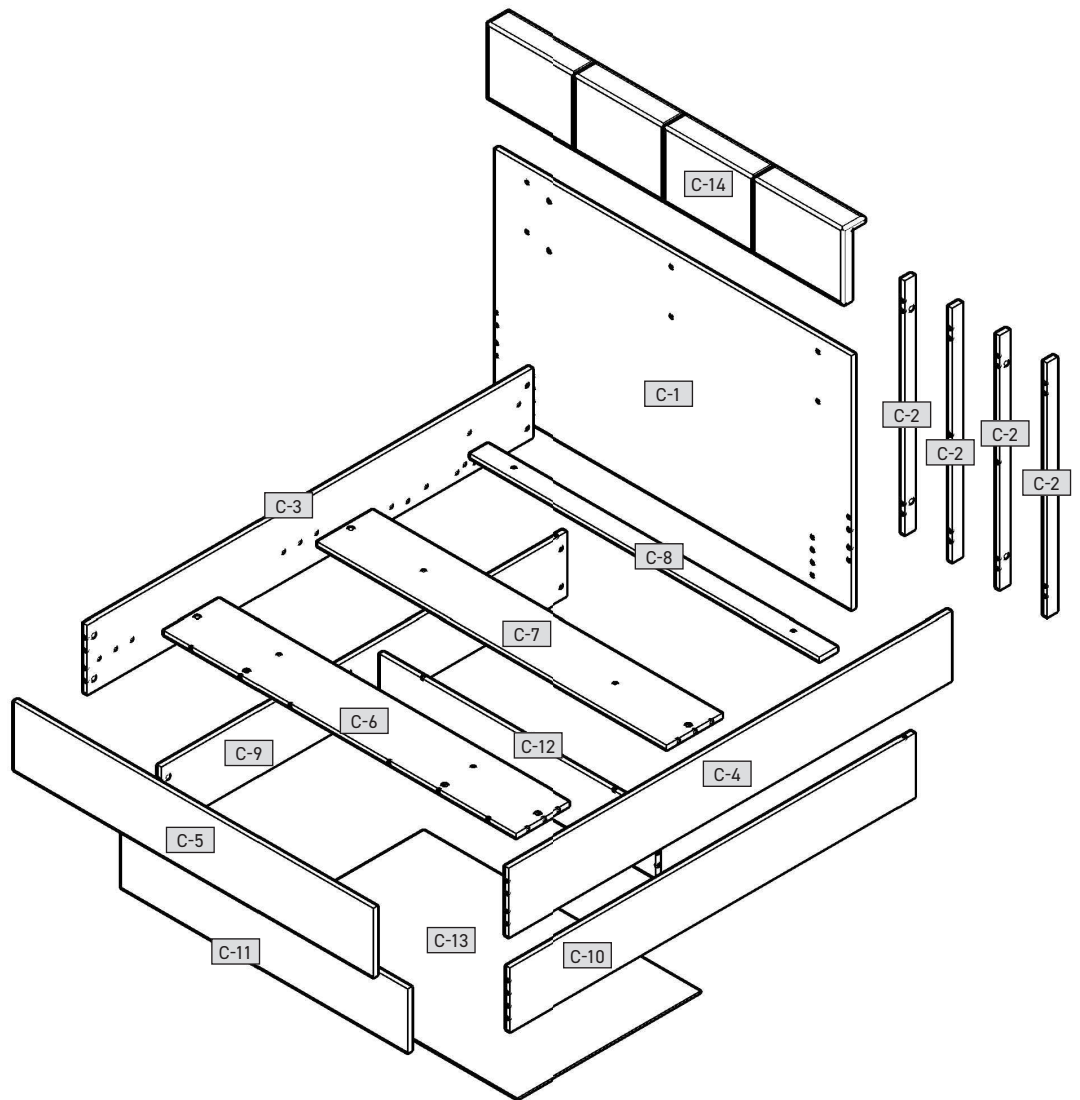
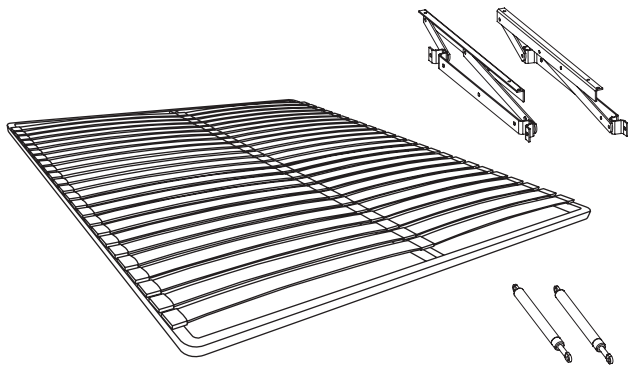


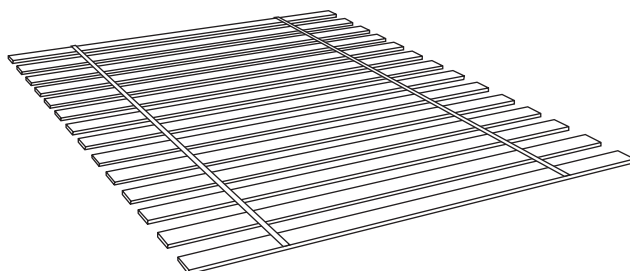
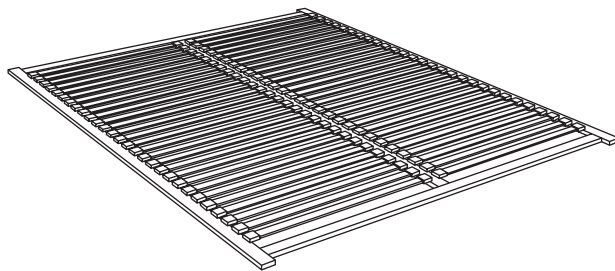
|      |      |      |    |     |     |
|------|------|------|----|-----|-----|
| C-1  | 1632 | 1000 | 16 | x 1 | 2/2 |
| C-2  | 1000 | 44   | 16 | x 4 | 1/2 |
| C-3  | 2022 | 270  | 16 | x 1 | 1/2 |
| C-4  | 2022 | 270  | 16 | x 1 | 1/2 |
| C-5  | 1633 | 271  | 16 | x 1 | 1/2 |
| C-6  | 1600 | 250  | 16 | x 1 | 2/2 |
| C-7  | 1600 | 250  | 16 | x 1 | 2/2 |
| C-8  | 1600 | 80   | 16 | x 1 | 1/2 |
| C-9  | 1850 | 250  | 16 | x 1 | 1/2 |
| C-10 | 1850 | 250  | 16 | x 1 | 1/2 |
| C-11 | 1301 | 250  | 16 | x 1 | 2/2 |
| C-12 | 1268 | 250  | 16 | x 1 | 2/2 |
| C-13 | 1296 | 1002 | 3  | x 1 | 2/2 |
| C-14 | 1632 | 315  | 90 | x 1 | 1/2 |



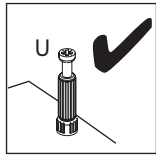
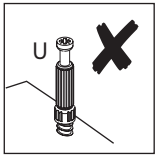
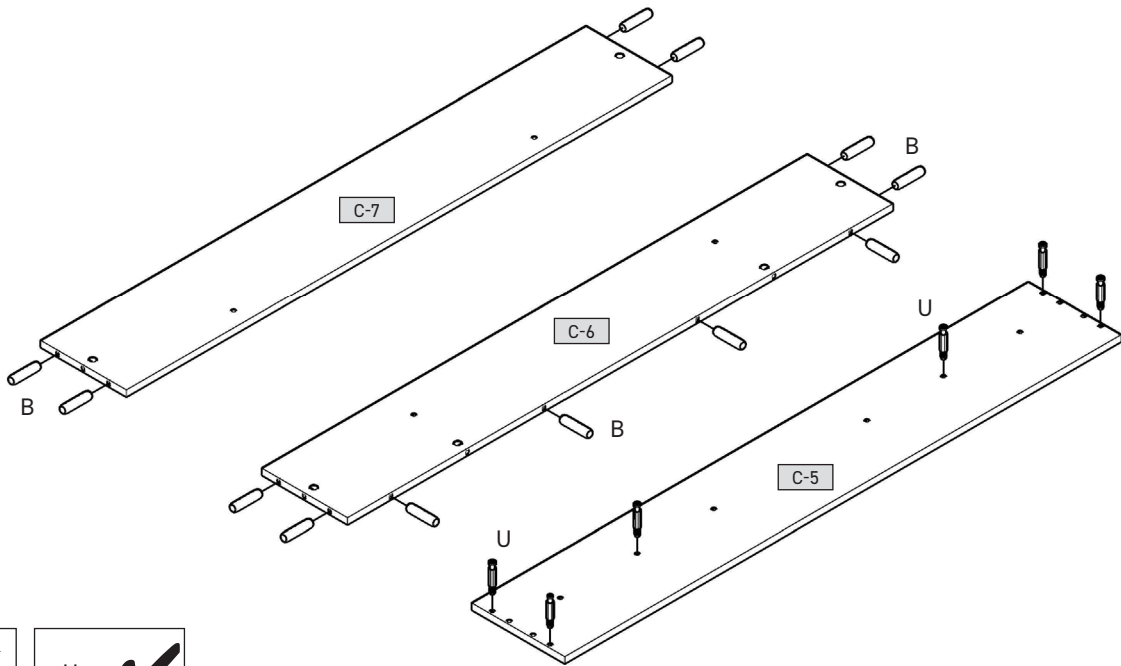
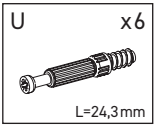
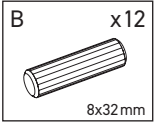


A

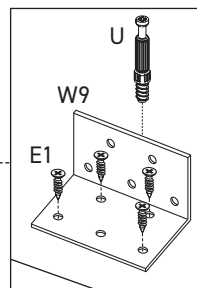
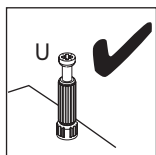
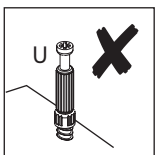
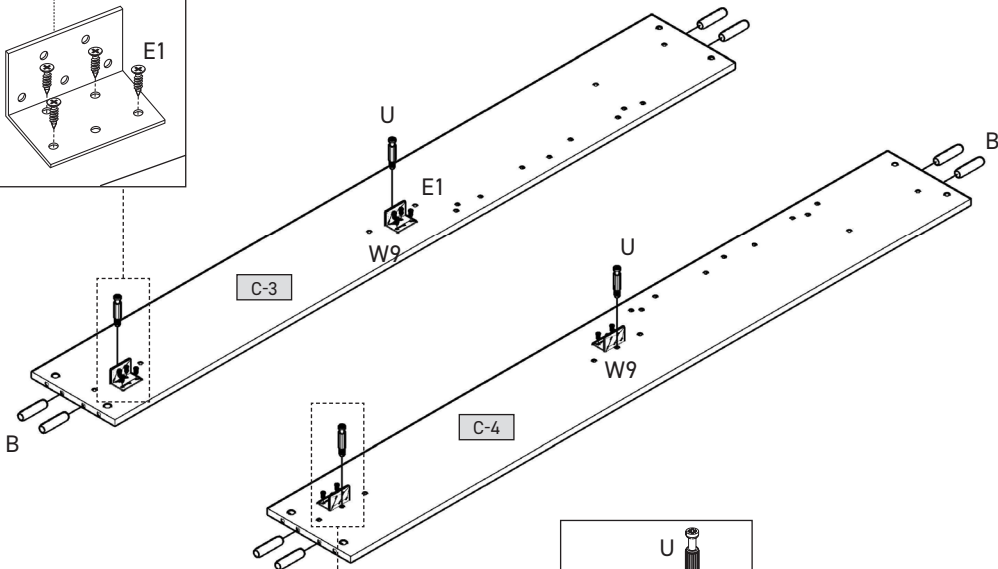
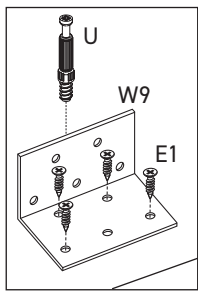
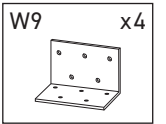
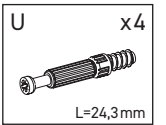
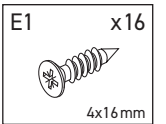
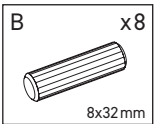
C



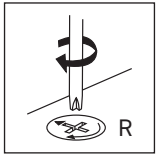
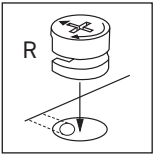
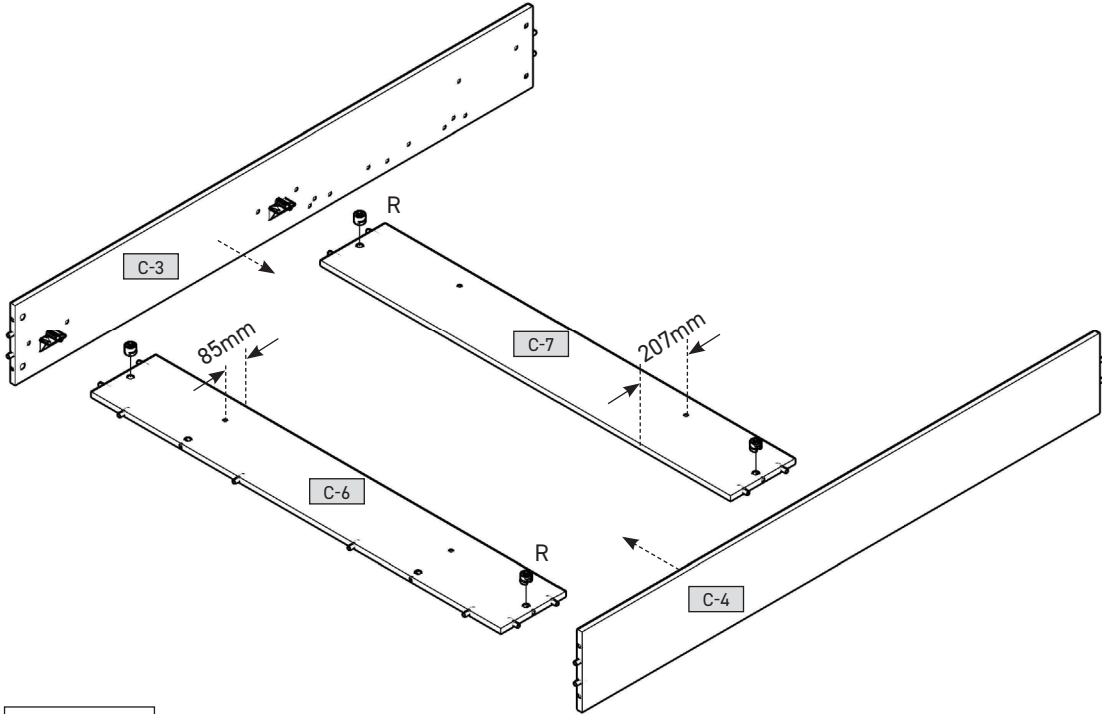
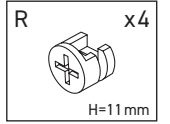
1



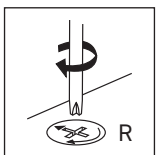
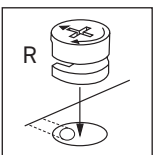
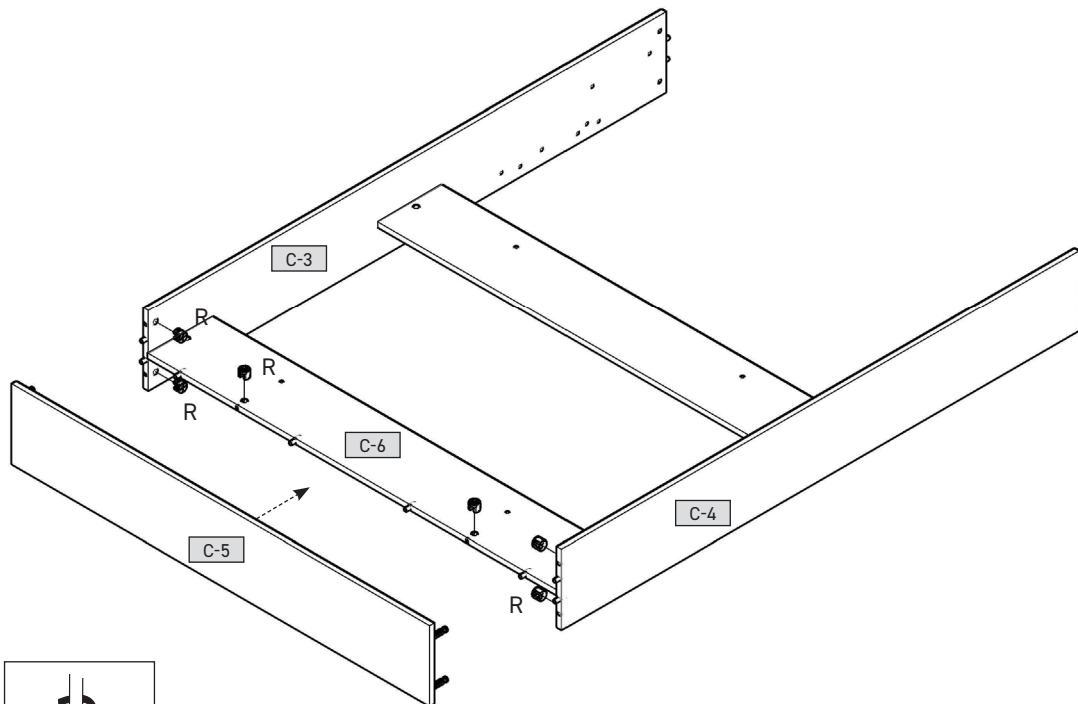
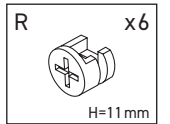
2



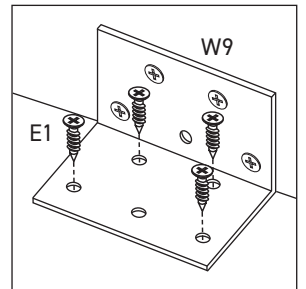
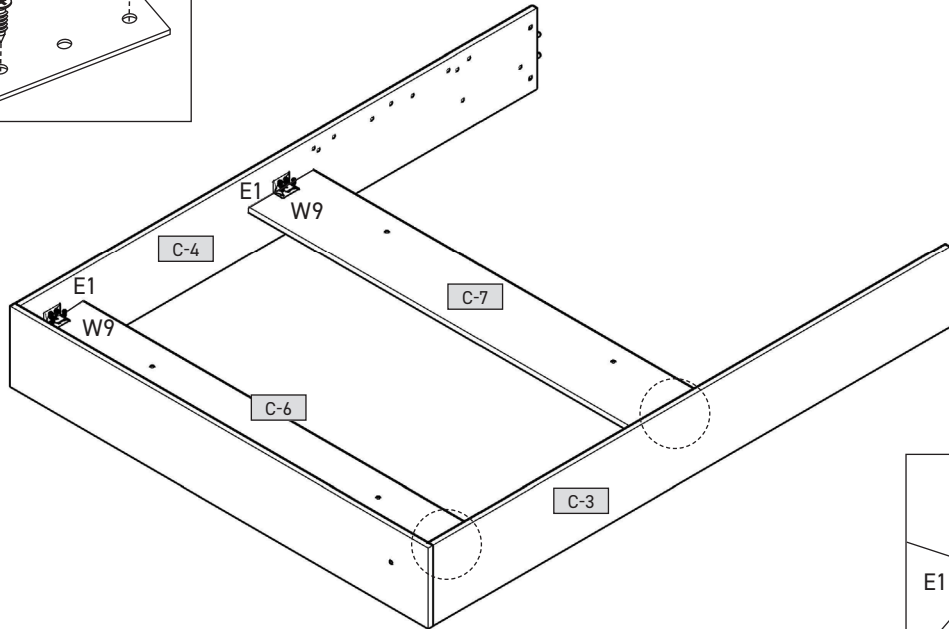
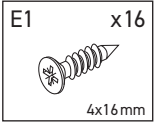
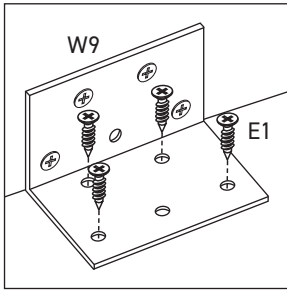
3



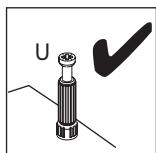
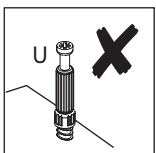
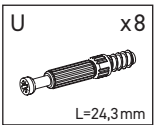
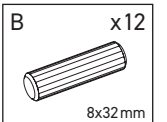
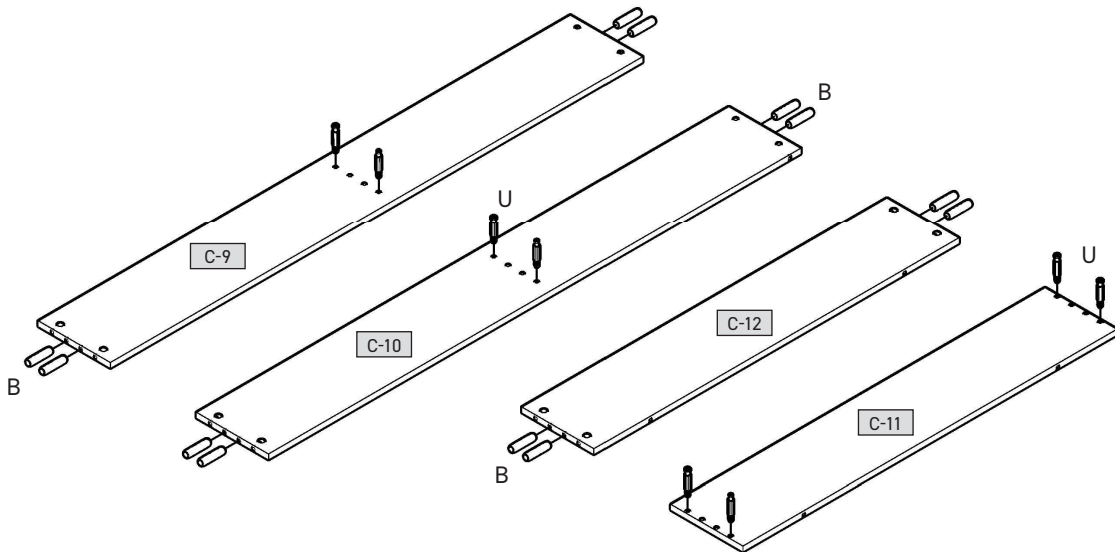
4



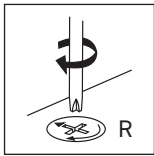
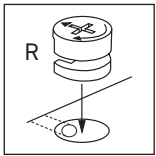
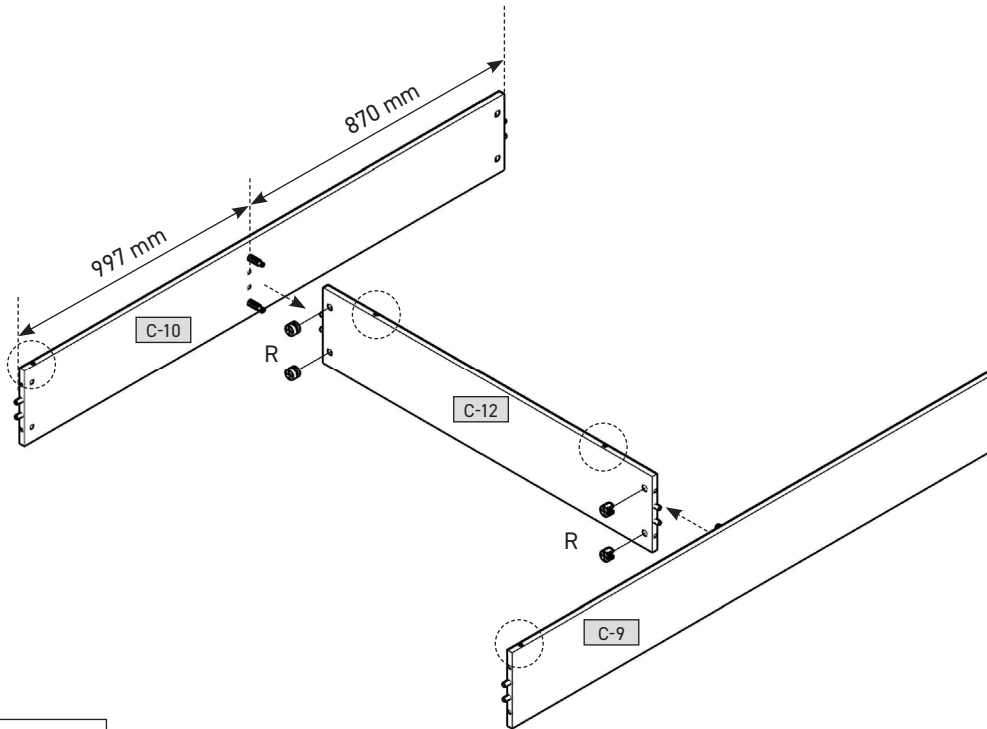
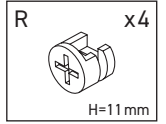
5



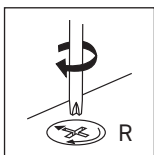
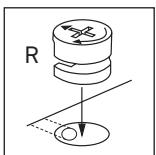
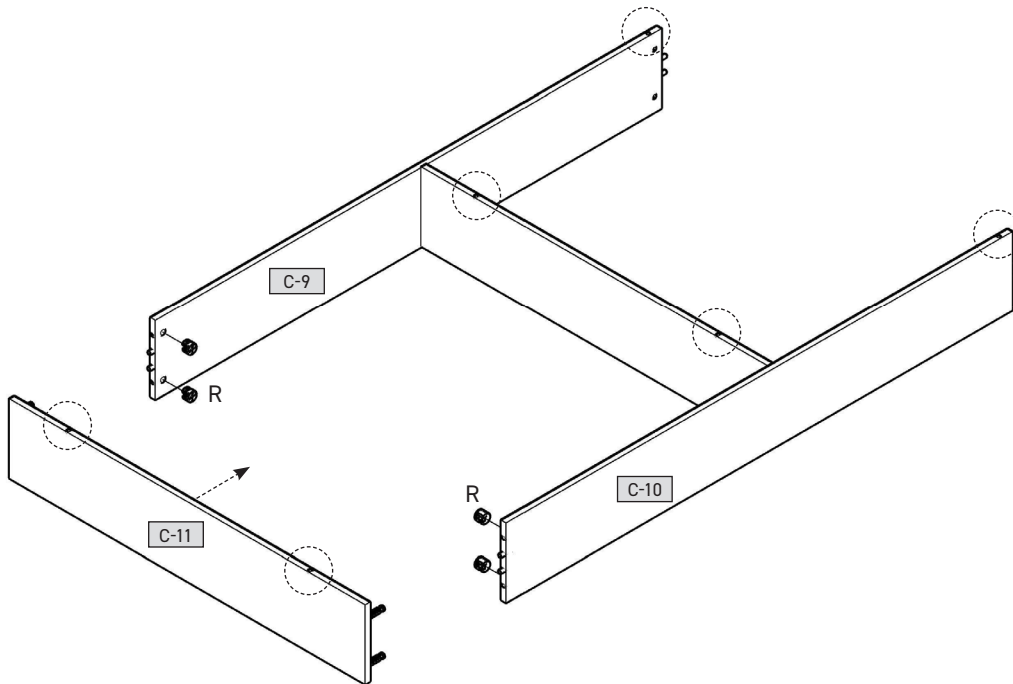
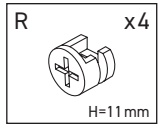
6



7

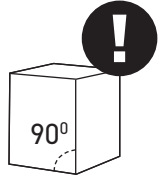
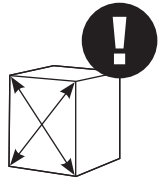
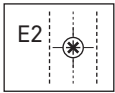
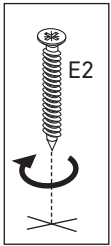
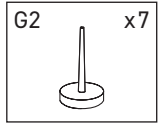
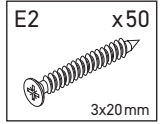
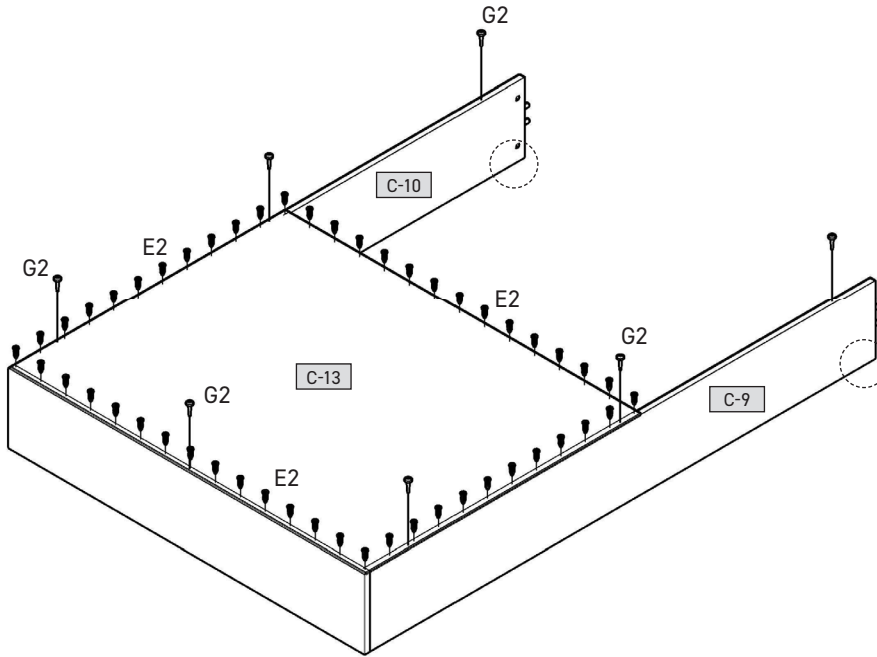


8

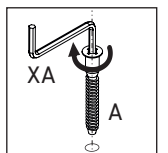
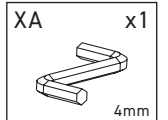
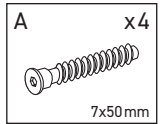
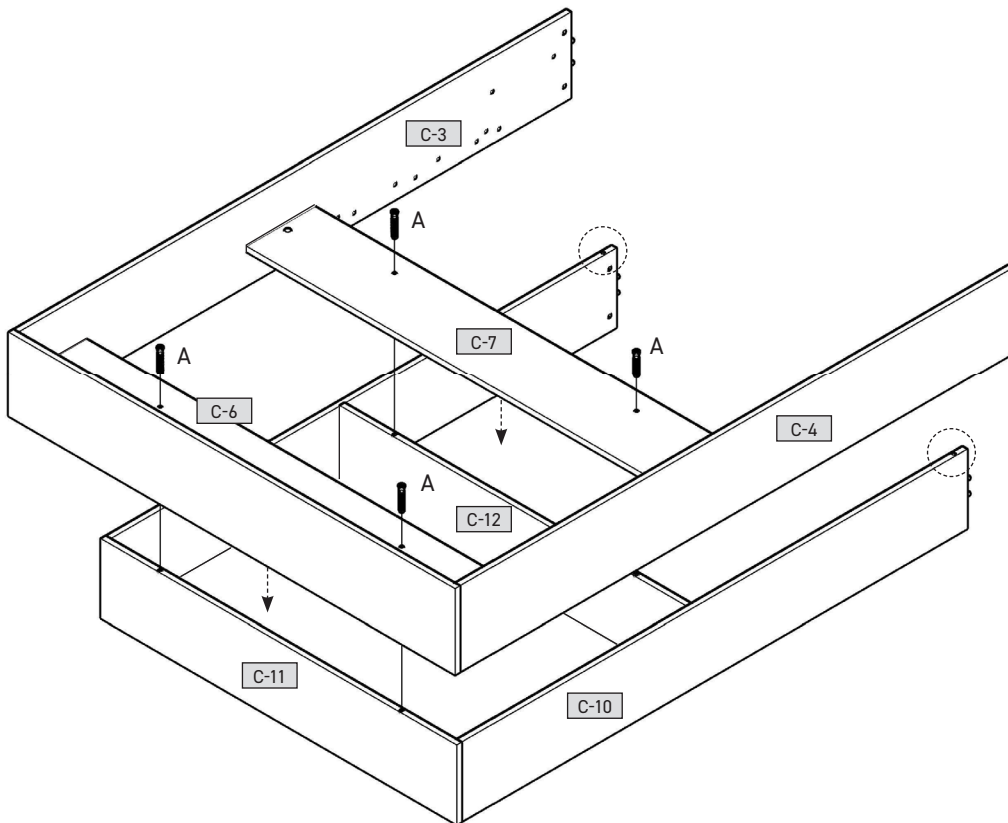




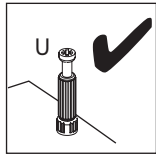
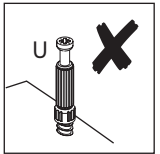
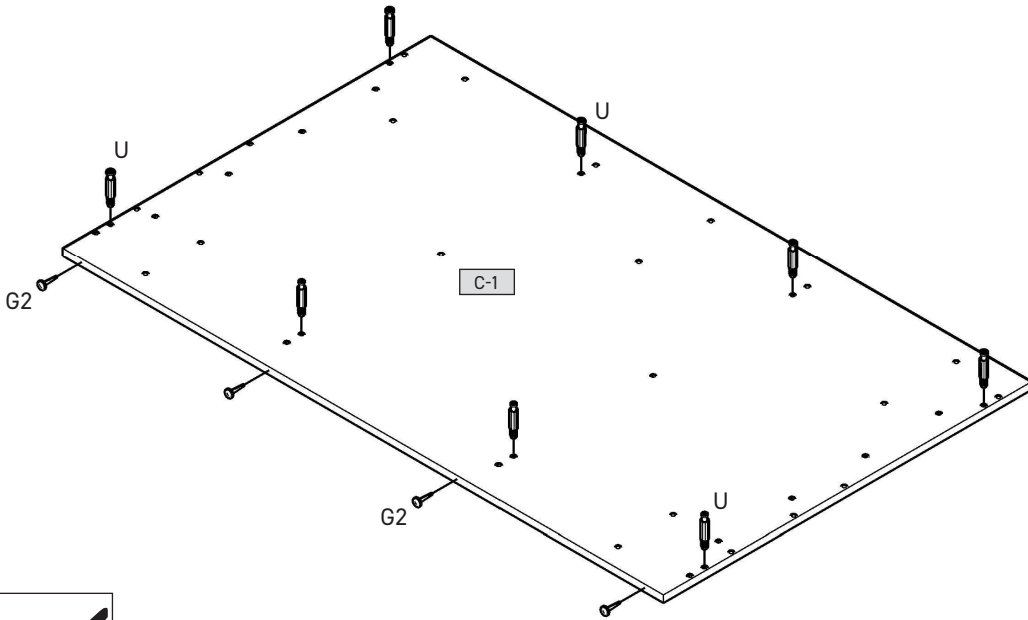
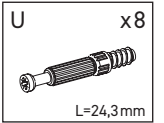
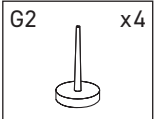
9



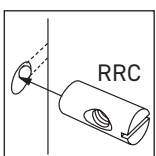
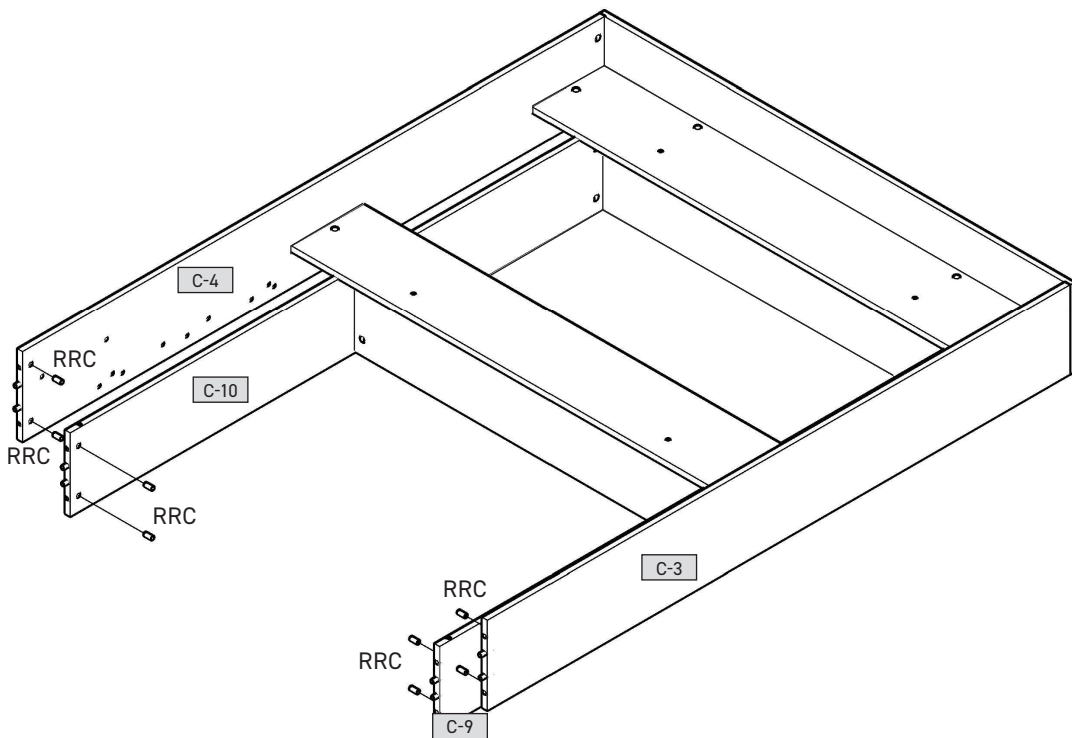
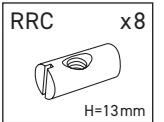
10



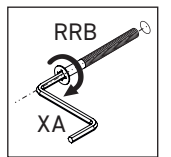
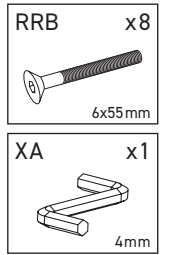
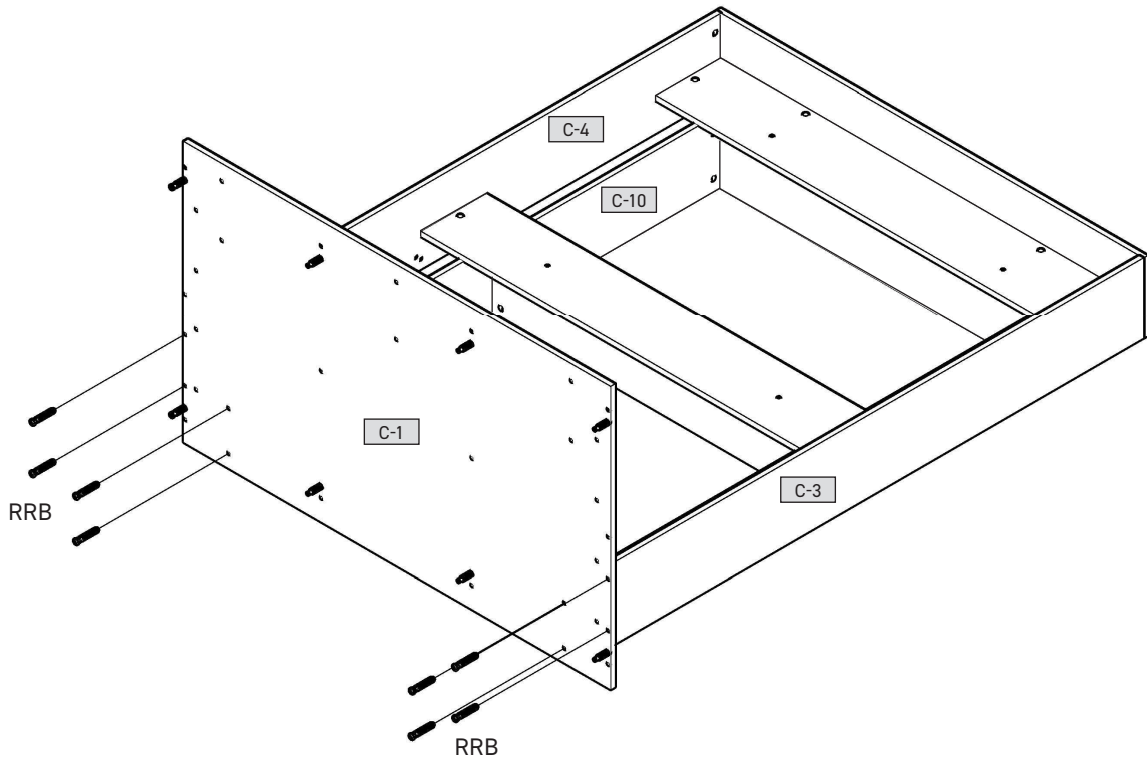
11



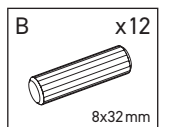
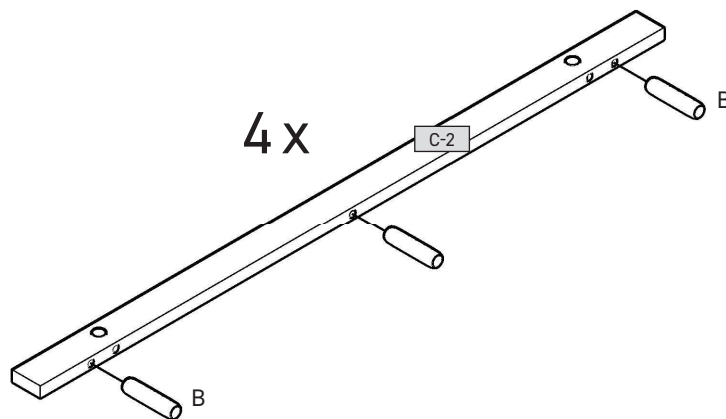
12



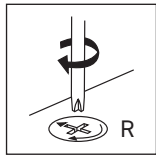
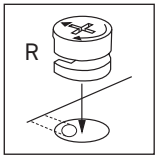
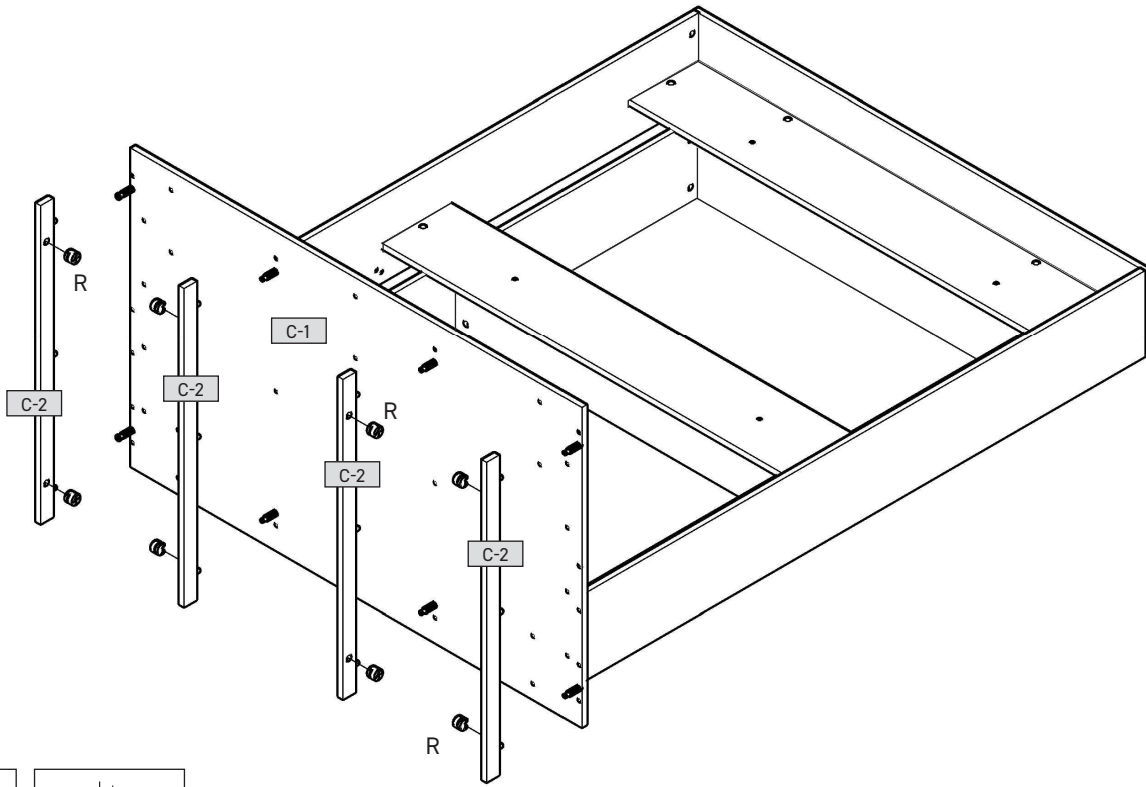
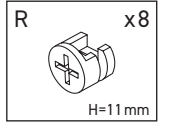
13



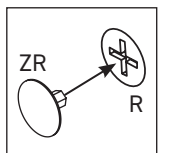
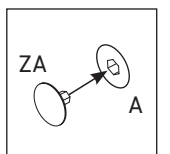
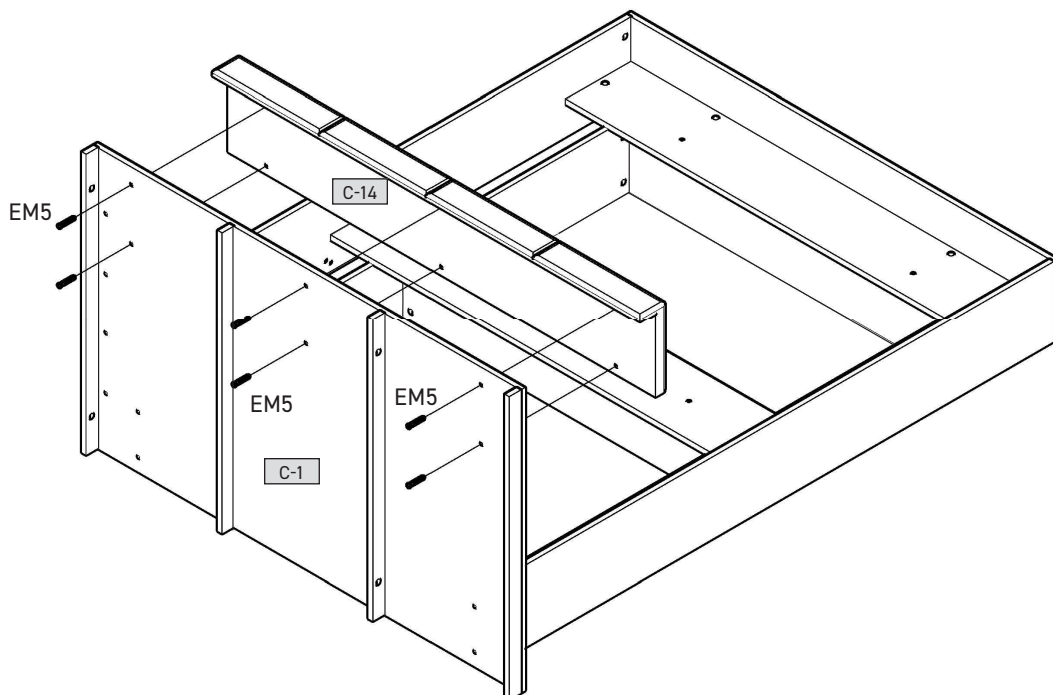
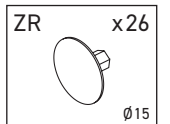
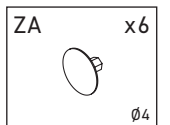
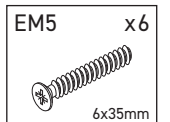
14



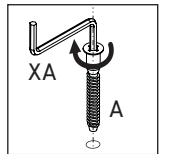
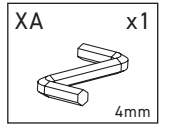
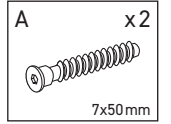
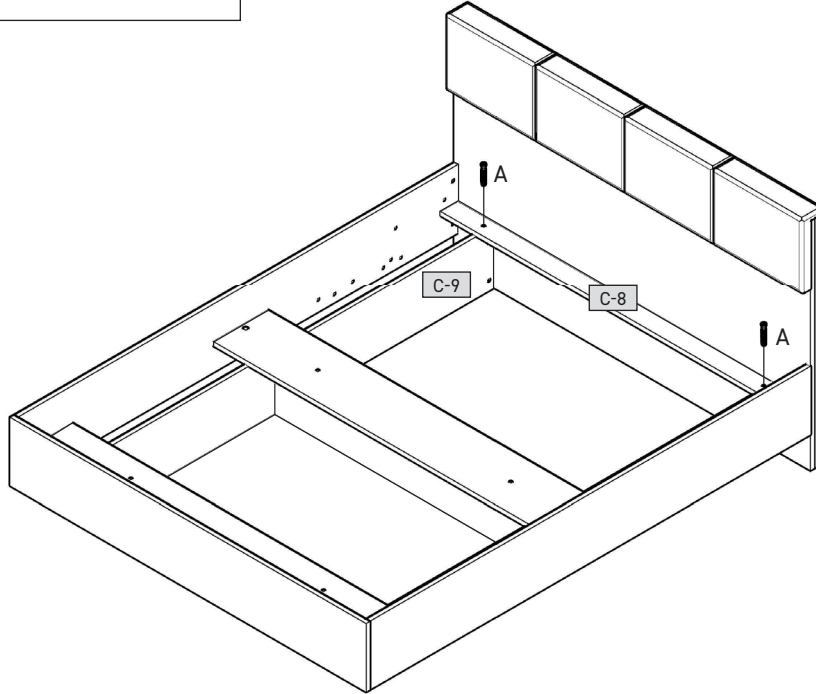
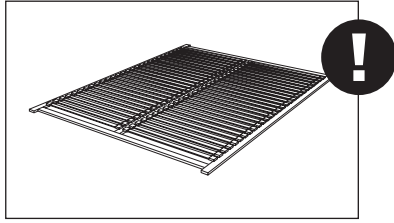
15



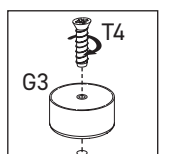
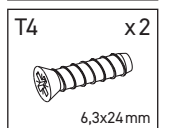
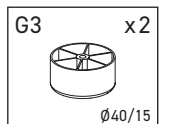
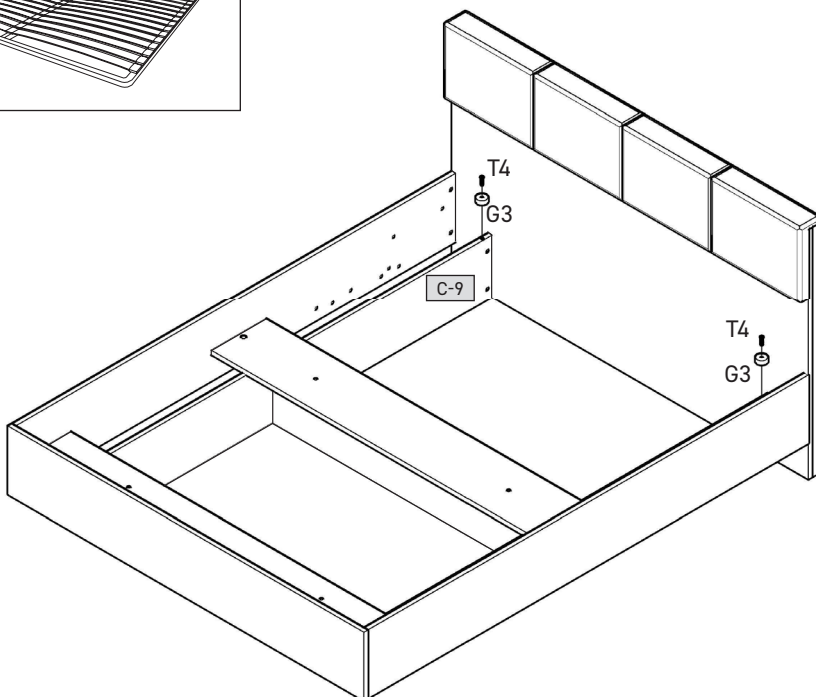
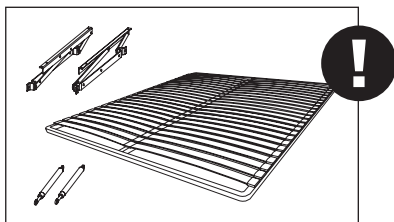
16



17

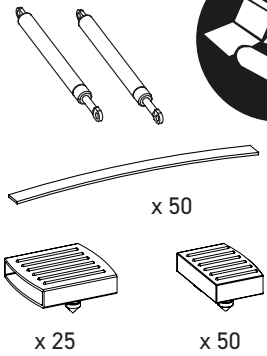
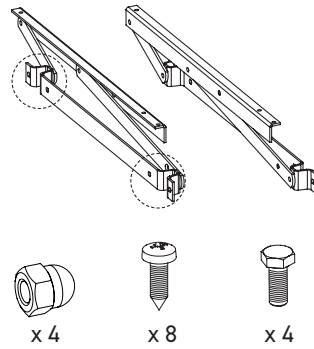
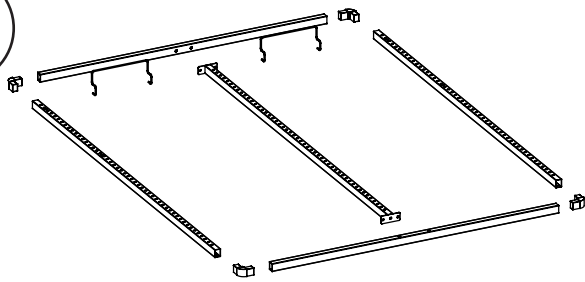


17



18

A



x 4

x 8

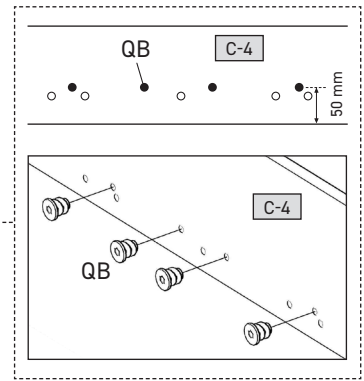
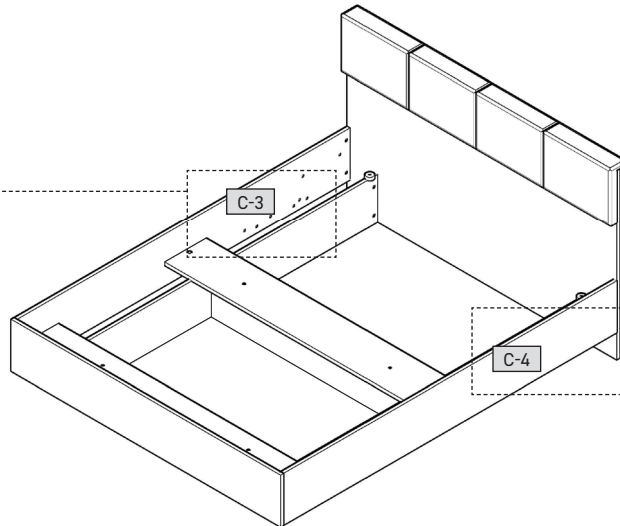
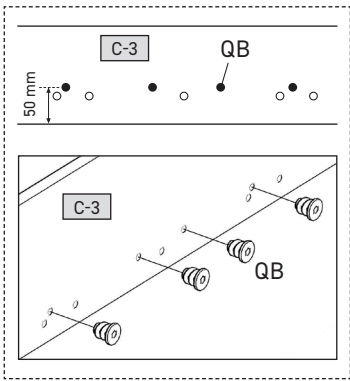
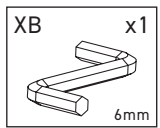
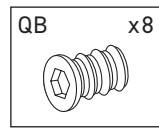
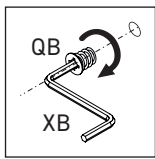
x 4

x 50

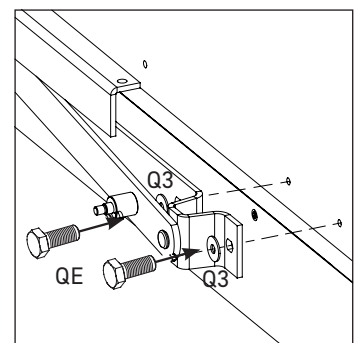
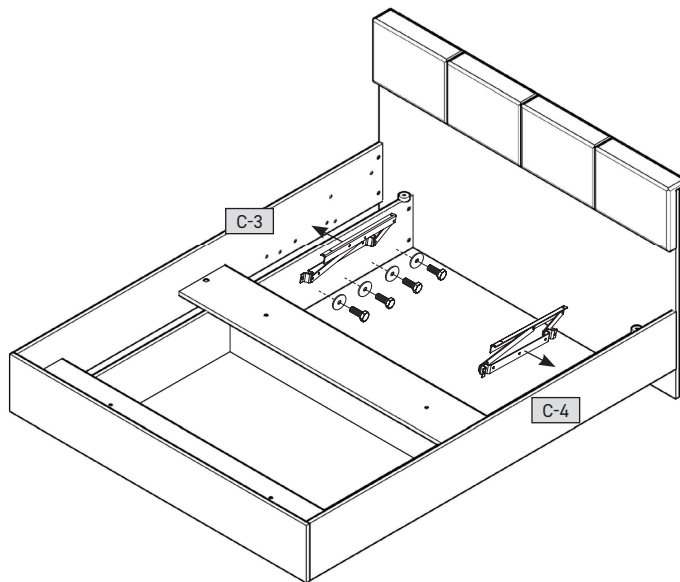
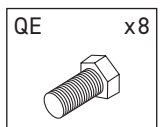
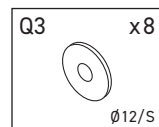
x 25

x 50

19

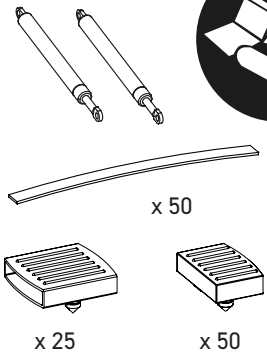
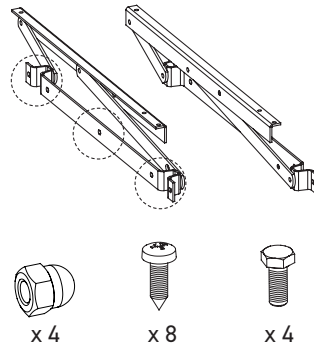
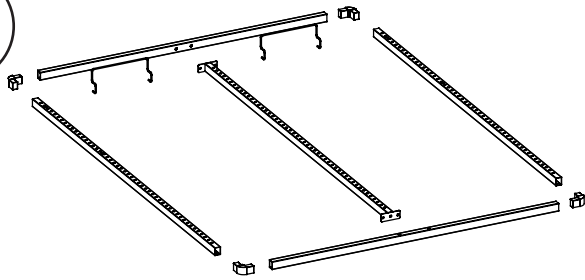


20

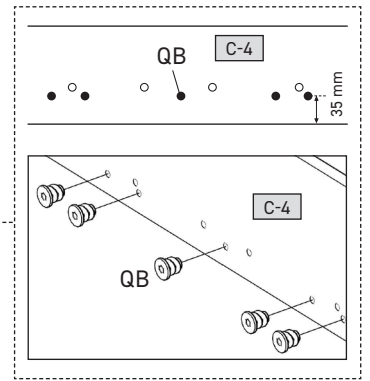
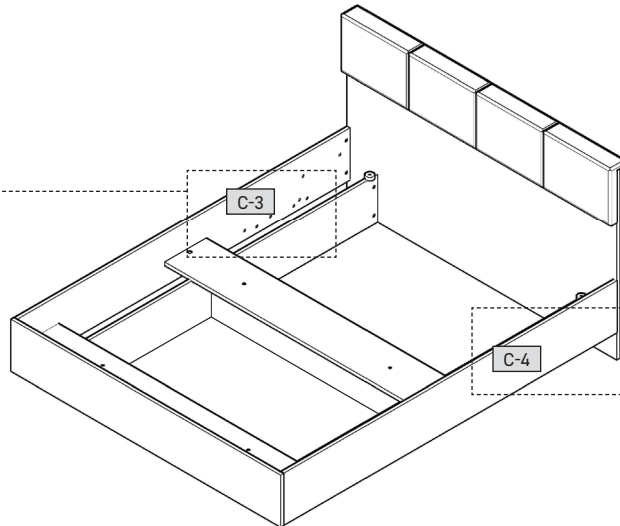
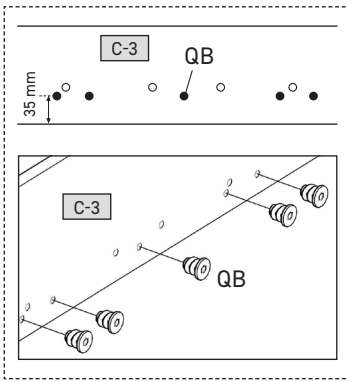
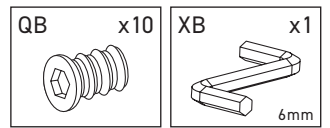
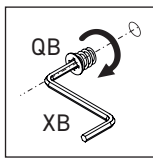


18

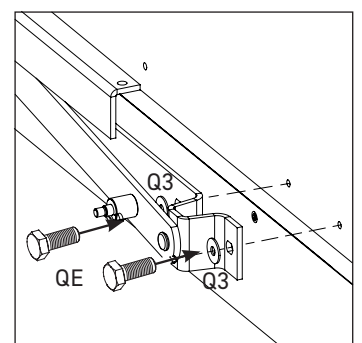
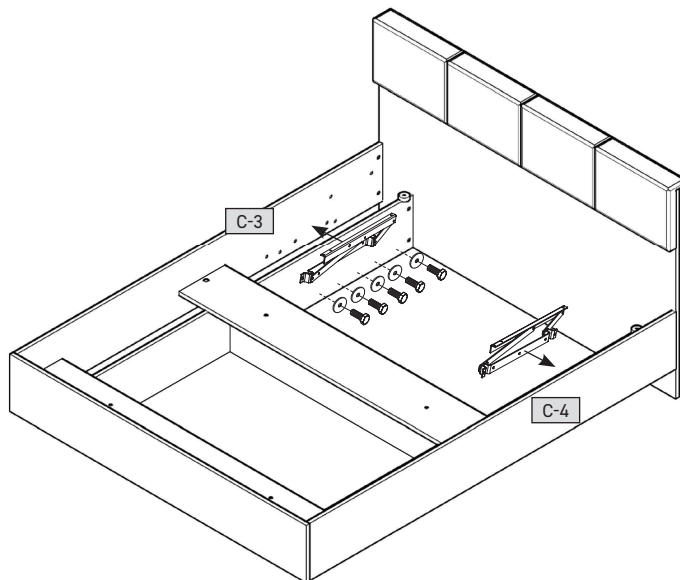
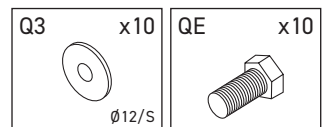
C

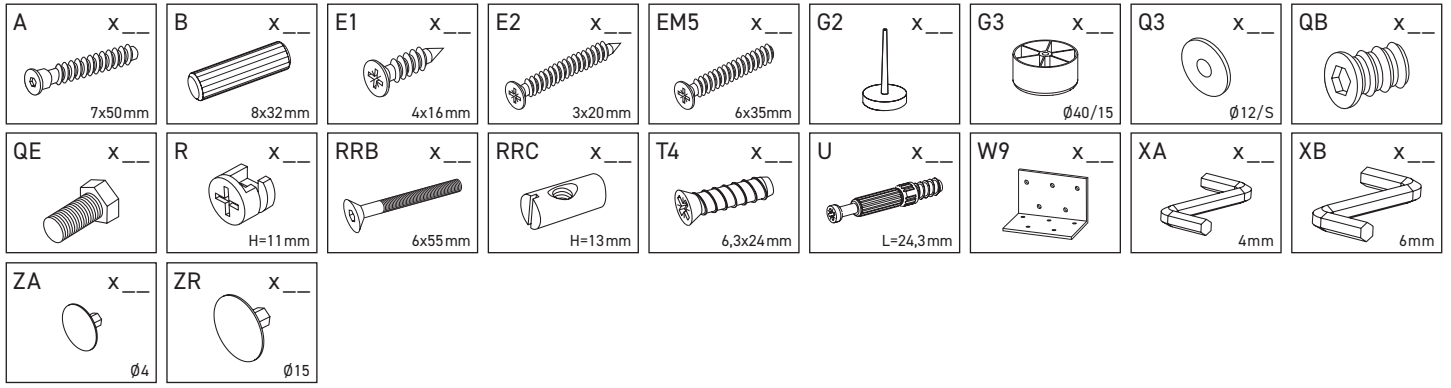


19



20





|      |      |      |    |     |     |
|------|------|------|----|-----|-----|
| C-1  | 1632 | 1000 | 16 | x 1 | 2/2 |
| C-2  | 1000 | 44   | 16 | x 4 | 1/2 |
| C-3  | 2022 | 270  | 16 | x 1 | 1/2 |
| C-4  | 2022 | 270  | 16 | x 1 | 1/2 |
| C-5  | 1633 | 271  | 16 | x 1 | 1/2 |
| C-6  | 1600 | 250  | 16 | x 1 | 2/2 |
| C-7  | 1600 | 250  | 16 | x 1 | 2/2 |
| C-8  | 1600 | 80   | 16 | x 1 | 1/2 |
| C-9  | 1850 | 250  | 16 | x 1 | 1/2 |
| C-10 | 1850 | 250  | 16 | x 1 | 1/2 |
| C-11 | 1301 | 250  | 16 | x 1 | 2/2 |
| C-12 | 1268 | 250  | 16 | x 1 | 2/2 |
| C-13 | 1296 | 1002 | 3  | x 1 | 2/2 |
| C-14 | 1632 | 315  | 90 | x 1 | 1/2 |

