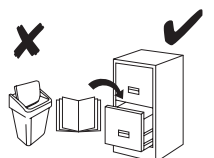
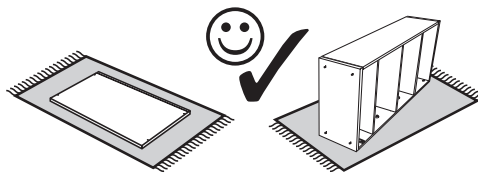
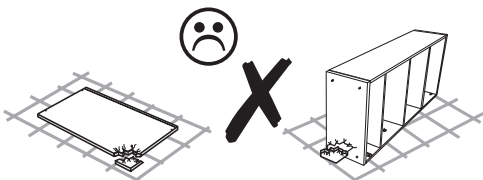
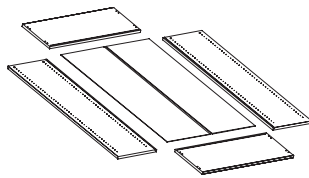
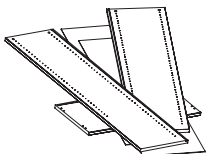
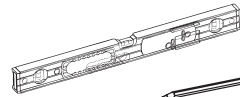
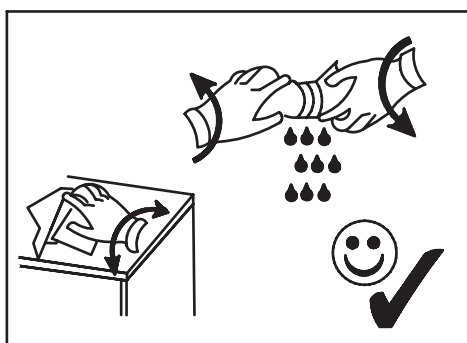
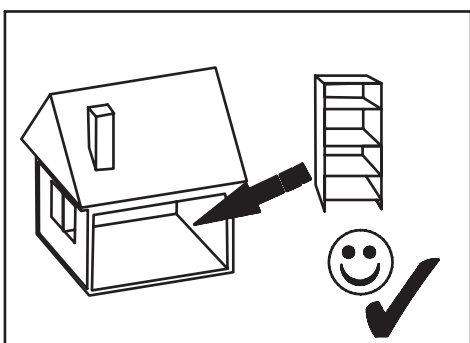
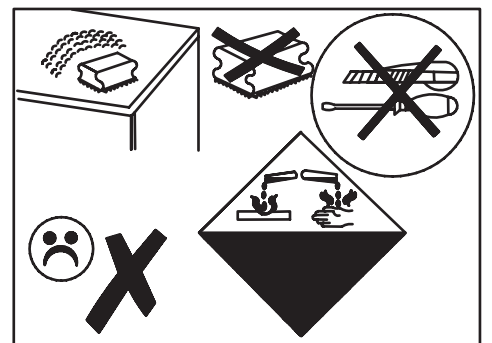
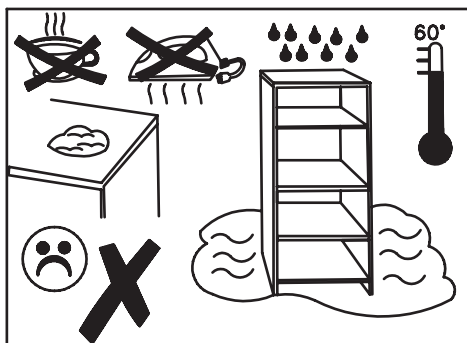
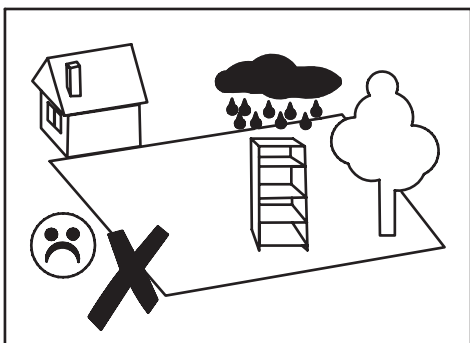
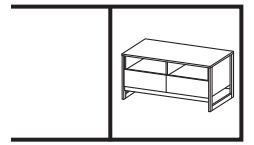
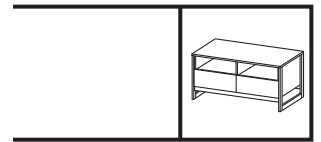


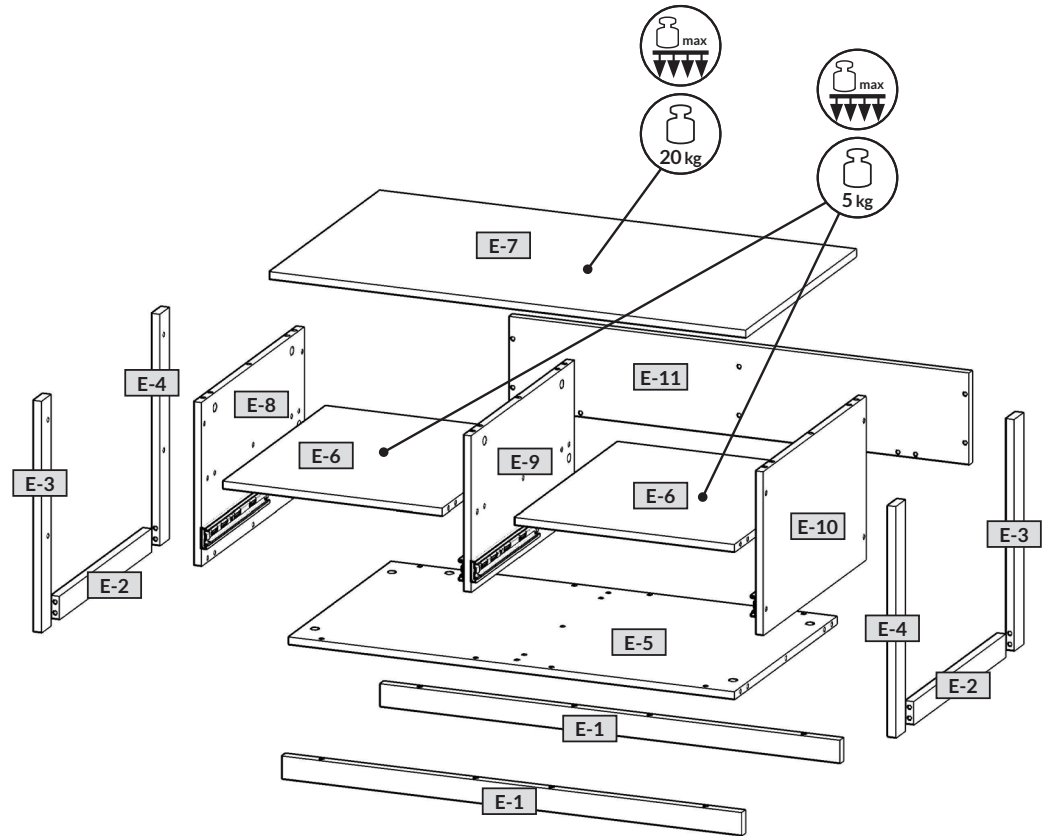
2022-07-29



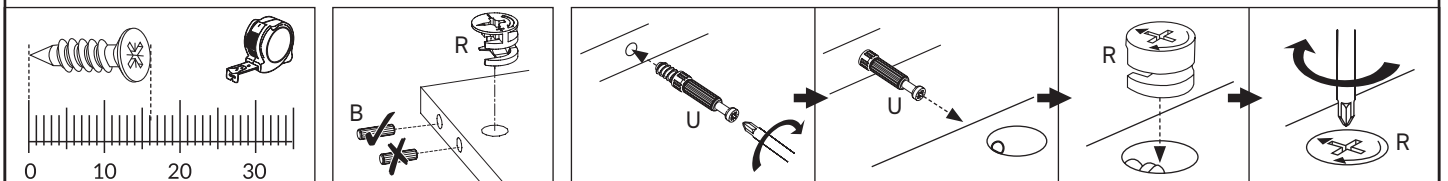
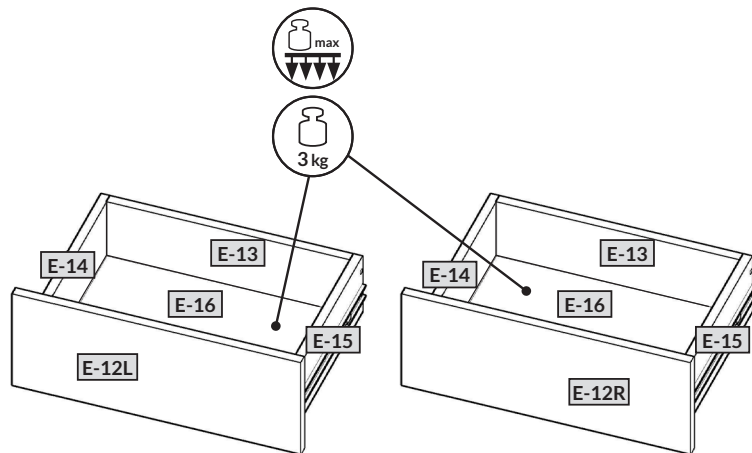


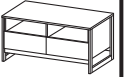


A 7 x 50 mm x 10	B 8 x 32 mm x 43	B3 8 x 50 mm x 3	EP2 4 x 20 mm x 20	G2 x 4	K6 L=350 mm x 2	R H=11 mm x 27	RB x 8	T3 5 x 9 mm x 16
T4 6,3 x 24 mm x 8	U L=24,3 mm x 23	U3 L=69 mm x 2	XA x 1	ZA Ø4 x 10	ZR Ø15 x 27			



nr	↔ [mm]	↓ [mm]	∅ [mm]		Colli
E-1	1048	50	15	x 2	1/1
E-2	510	50	15	x 2	1/1
E-3	510	50	15	x 2	1/1
E-4	510	50	15	x 2	1/1
E-5	1016	570	16	x 1	1/1
E-6	500	570	16	x 2	1/1
E-7	1086	614	16	x 1	1/1
E-8	360	570	16	x 1	1/1
E-9	344	570	16	x 1	1/1
E-10	360	570	16	x 1	1/1
E-11	1048	202	16	x 1	1/1
E-12L	520	202	16	x 1	1/1
E-12R	520	202	16	x 1	1/1
E-13	444	120	16	x 2	1/1
E-14	350	120	16	x 2	1/1
E-15	350	120	16	x 2	1/1
E-16	476	356	3	x 2	1/1

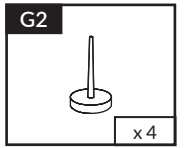
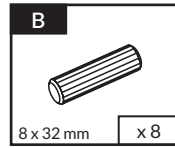
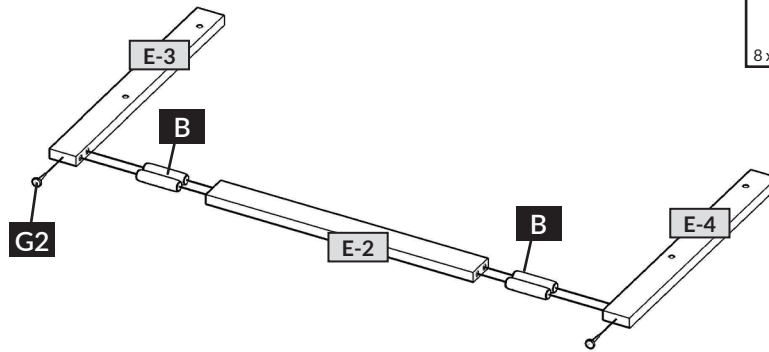




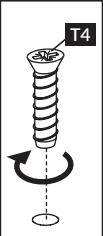
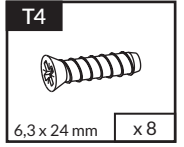
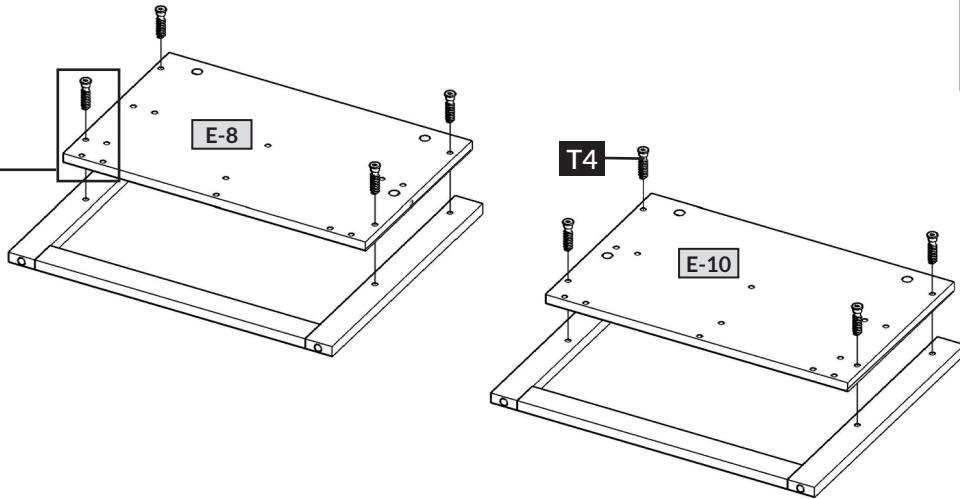
1



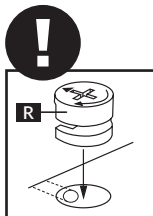
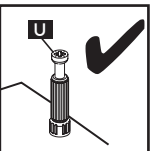
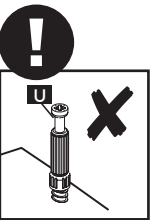
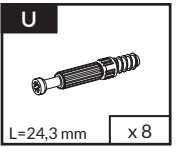
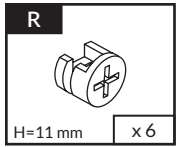
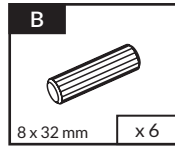
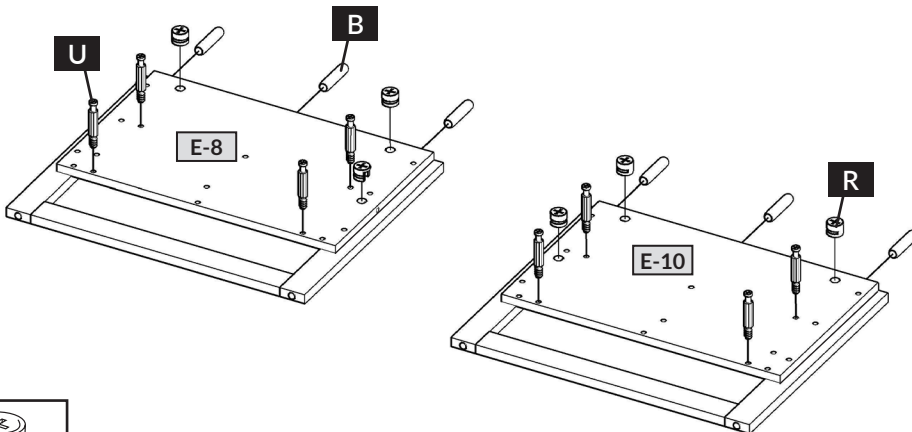
2x

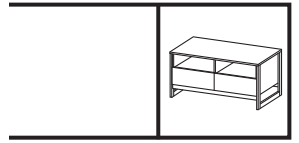


2

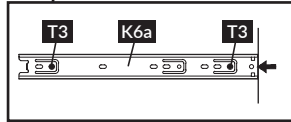
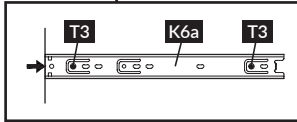
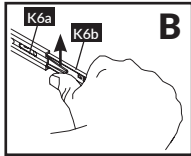
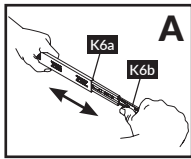
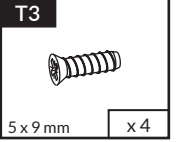
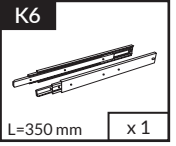
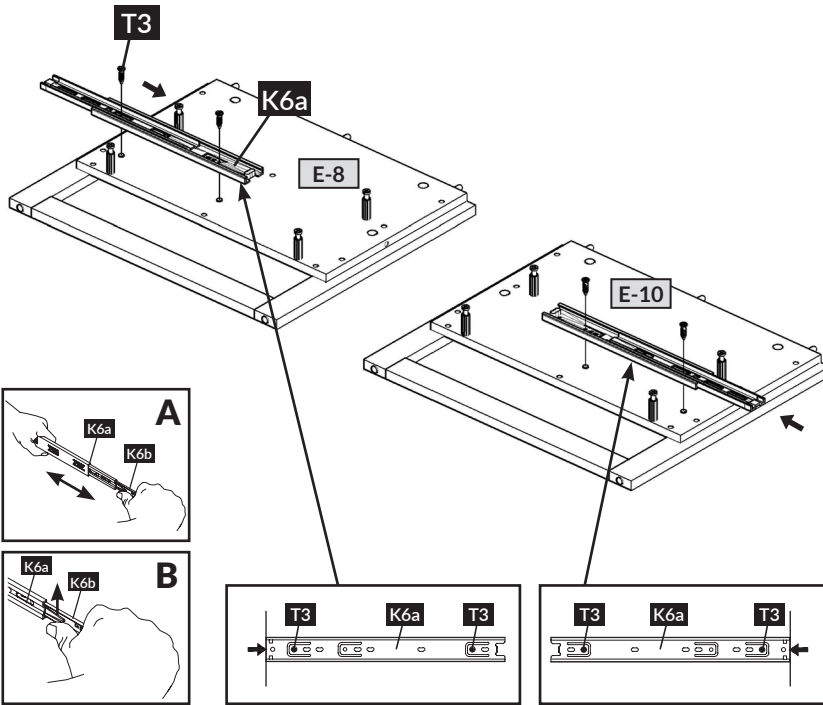


3

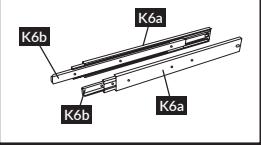




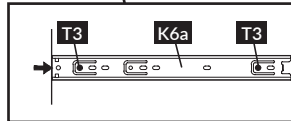
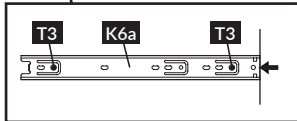
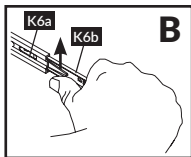
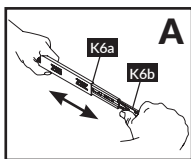
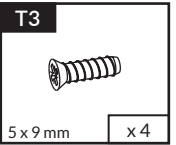
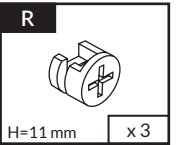
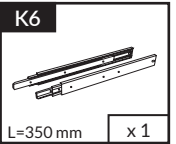
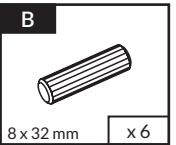
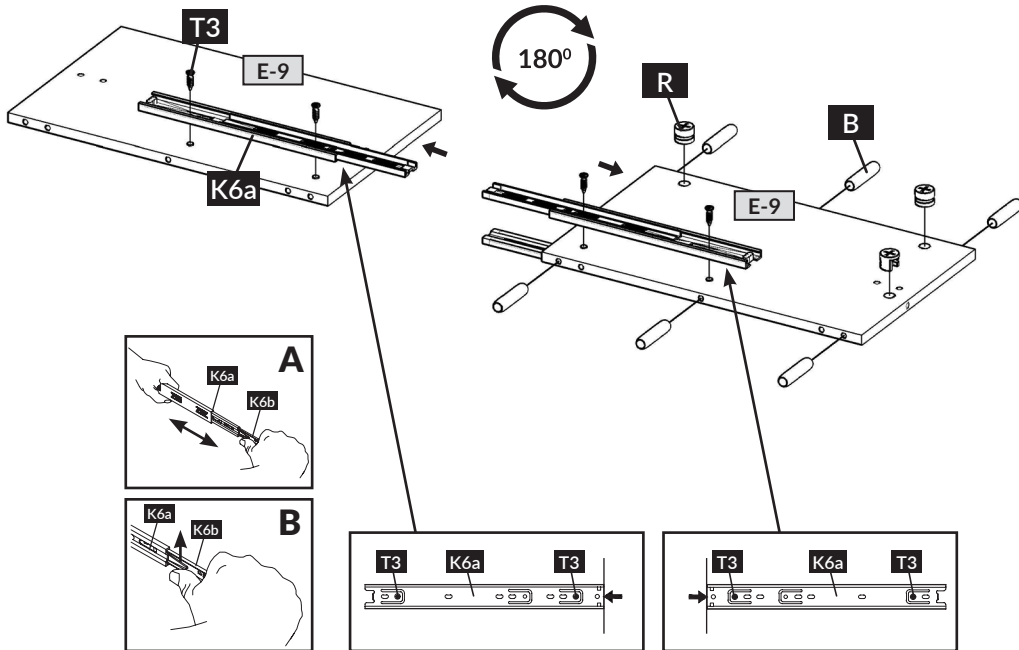
4



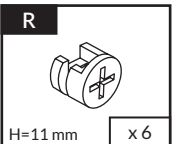
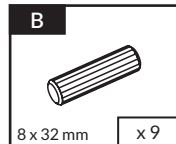
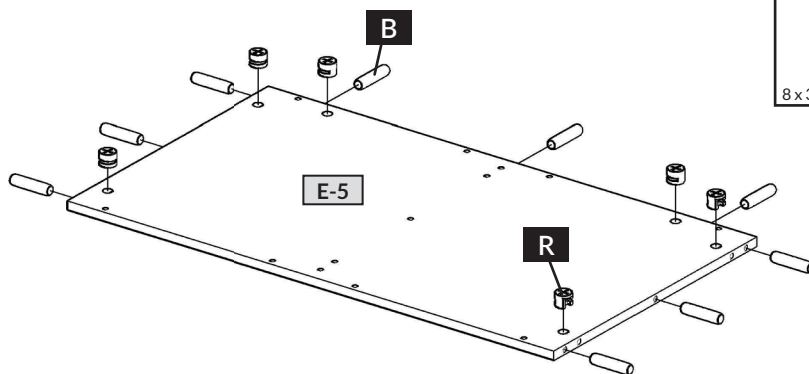
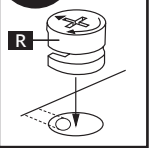
K6 K6= 2x (K6a+K6b)

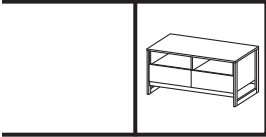


5

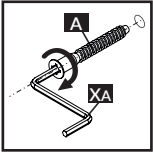
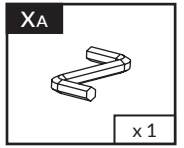
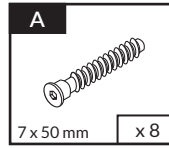
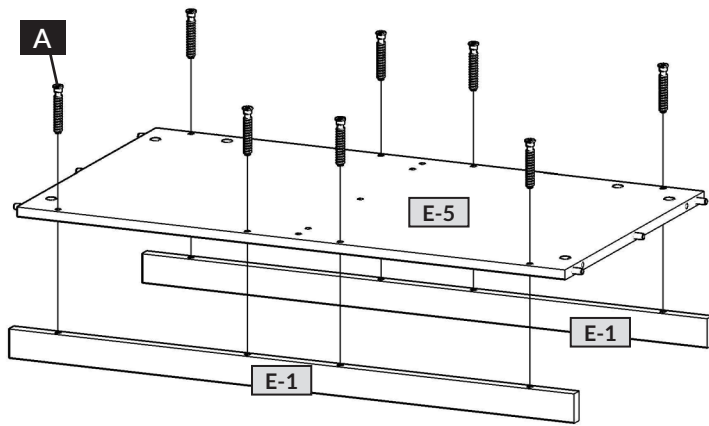


6

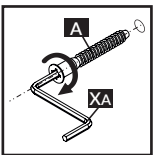
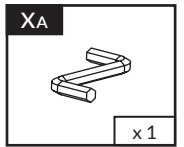
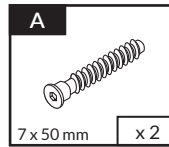
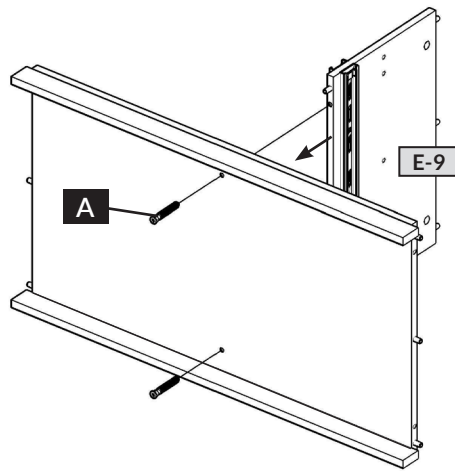




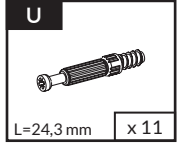
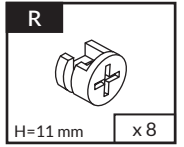
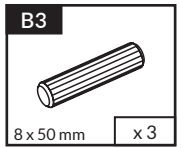
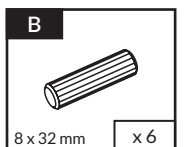
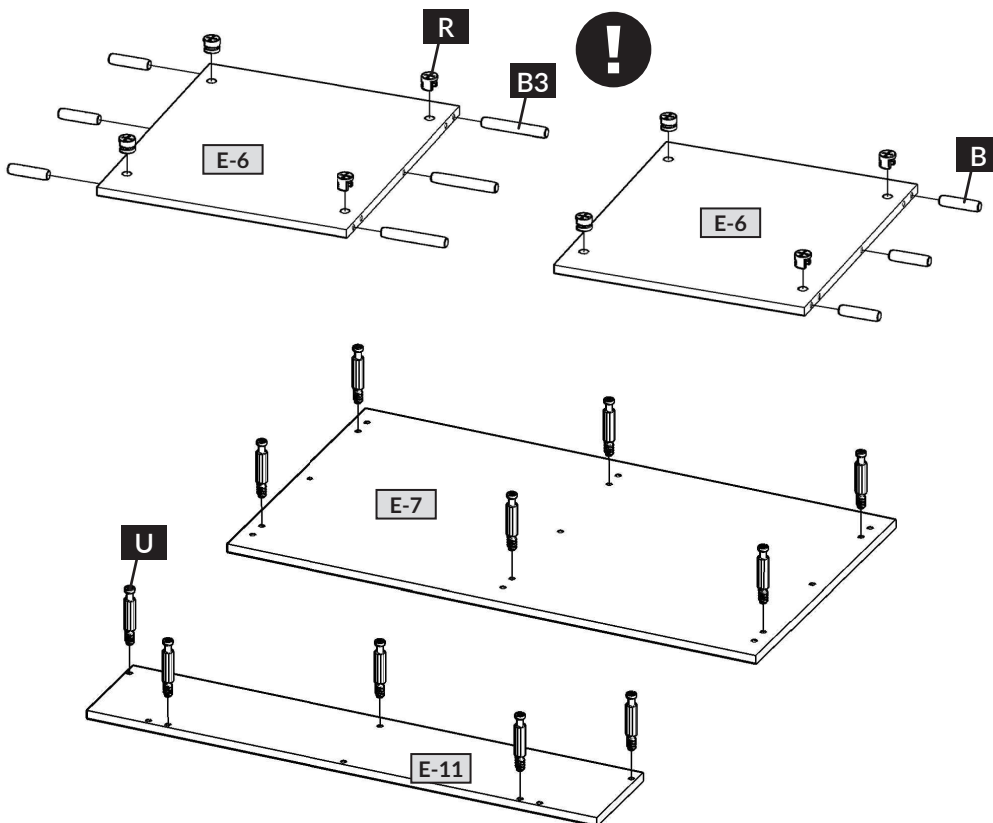
7

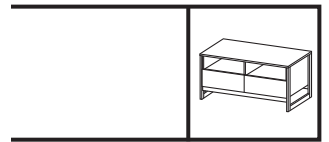


8

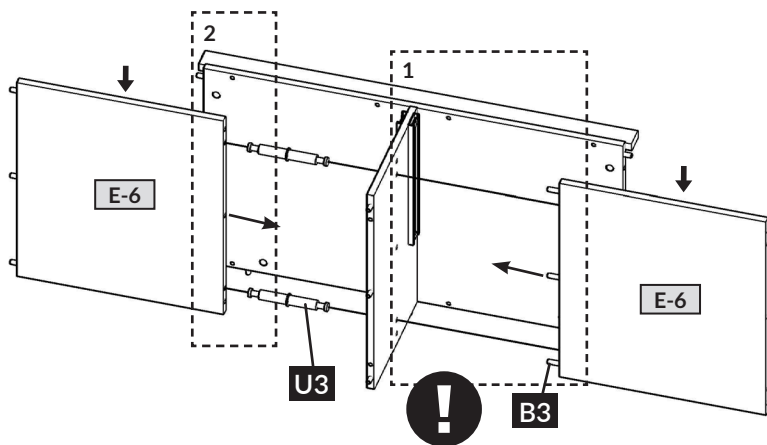


9

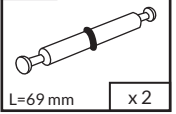




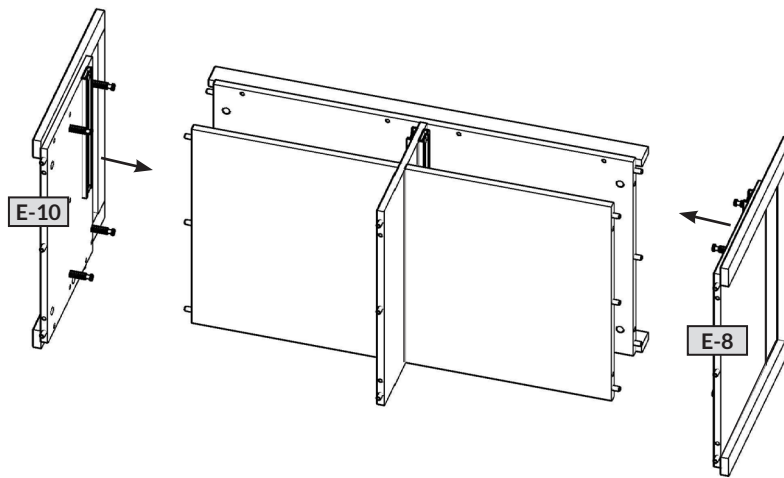
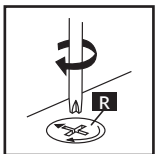
10



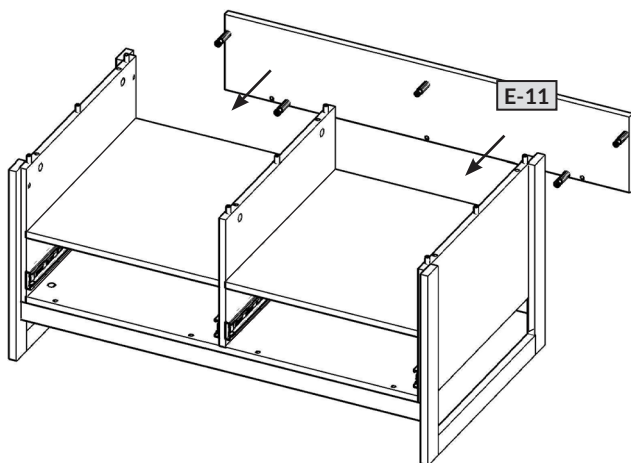
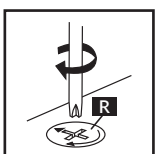
U3



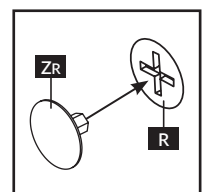
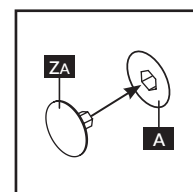
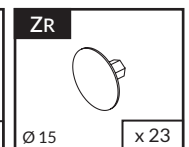
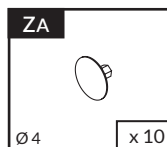
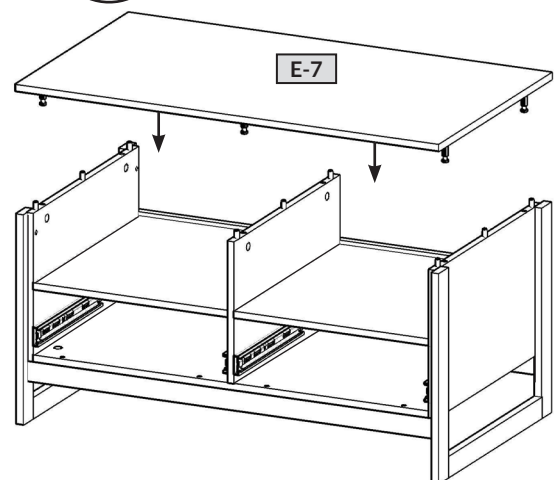
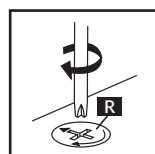
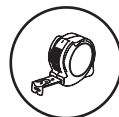
11

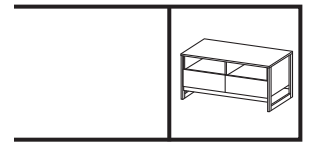


12

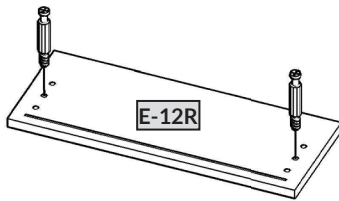
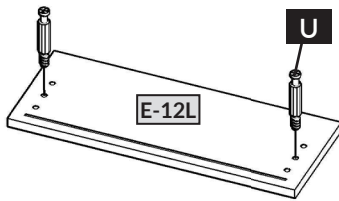


13

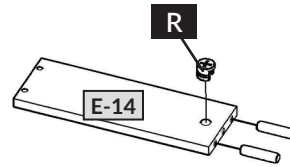




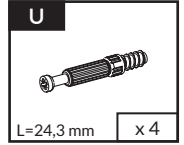
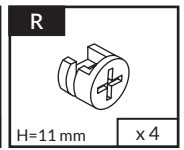
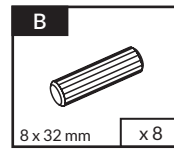
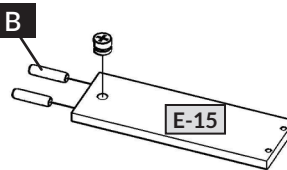
14



2x



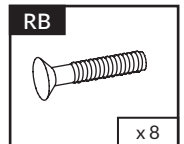
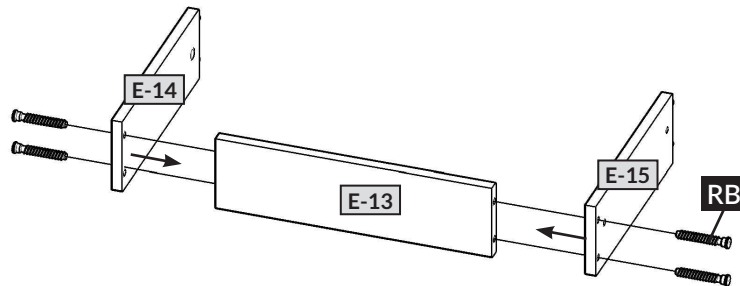
2x



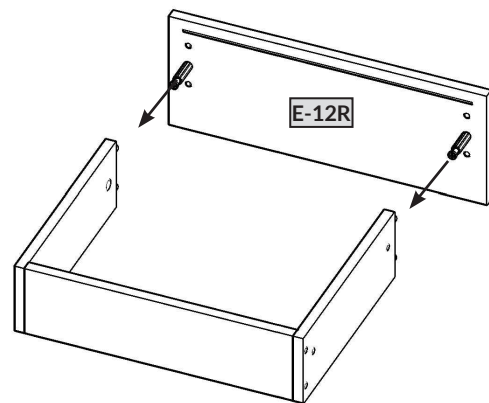
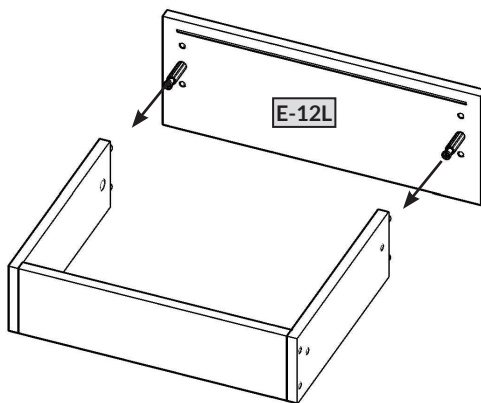
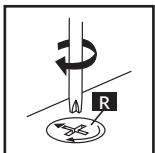
15



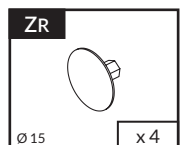
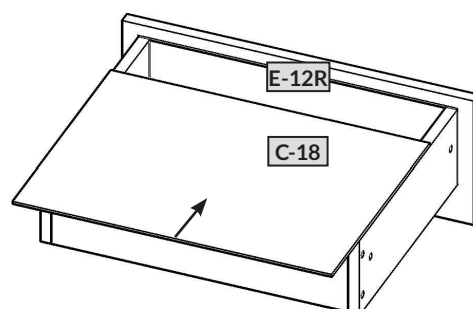
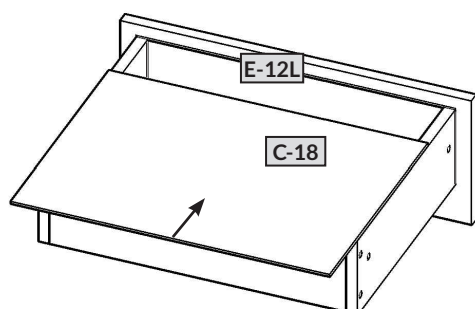
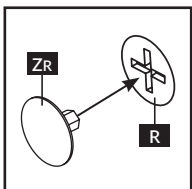
2x

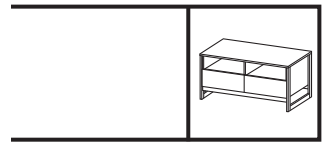


16

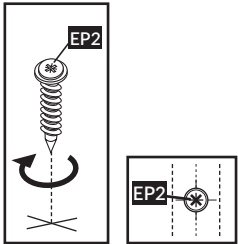
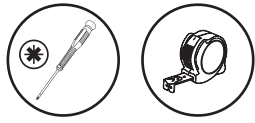


17

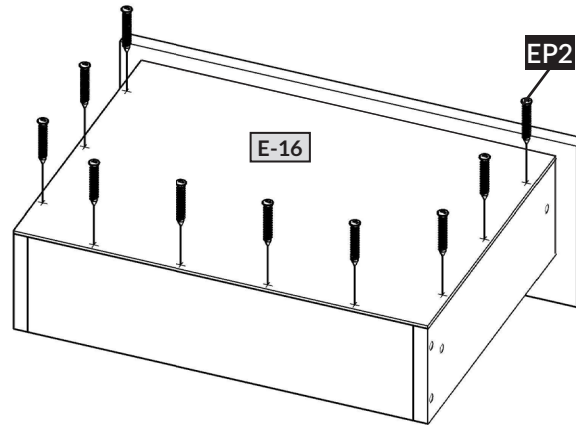




18

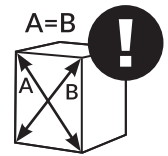
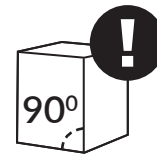
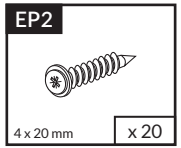


2x



E-16

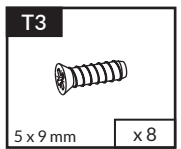
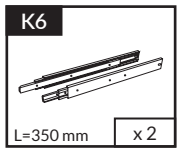
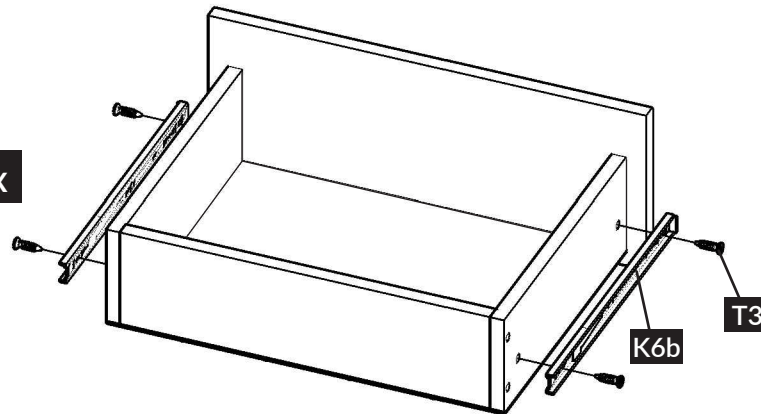
EP2



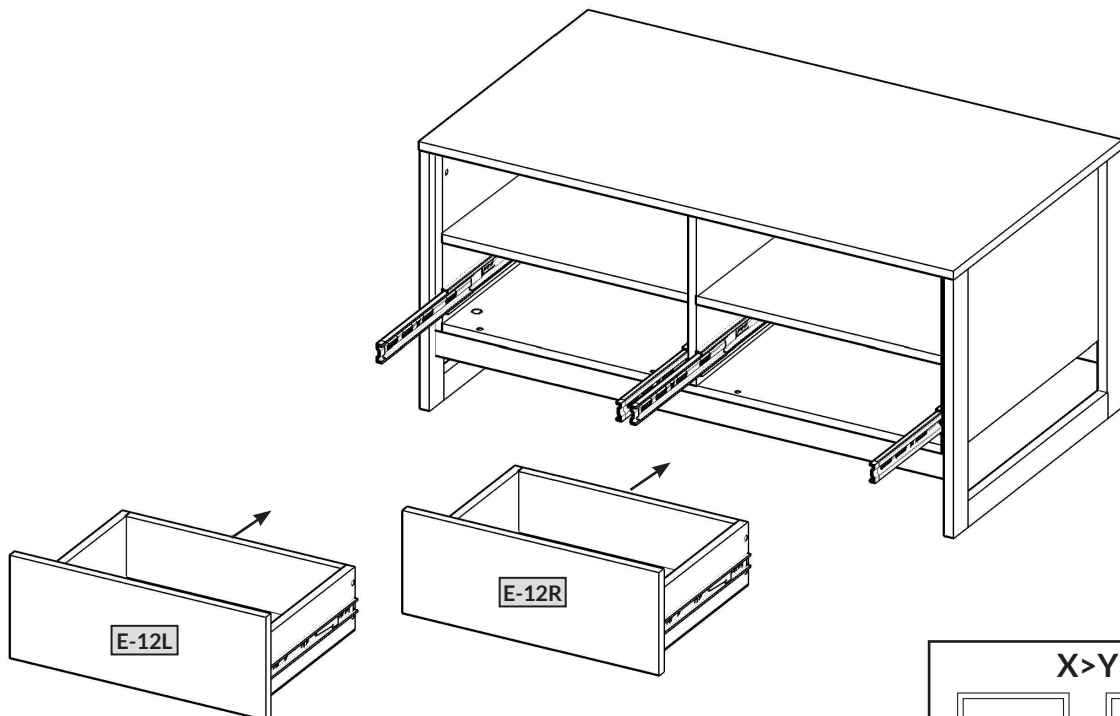
19



2x

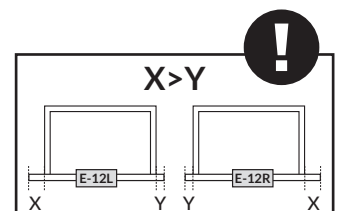


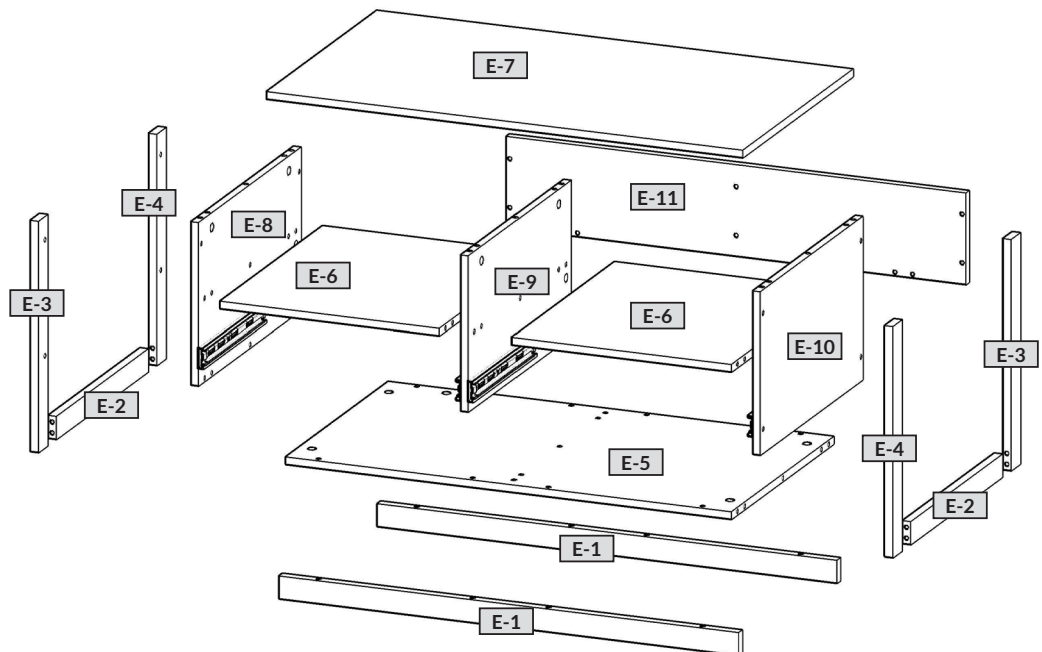
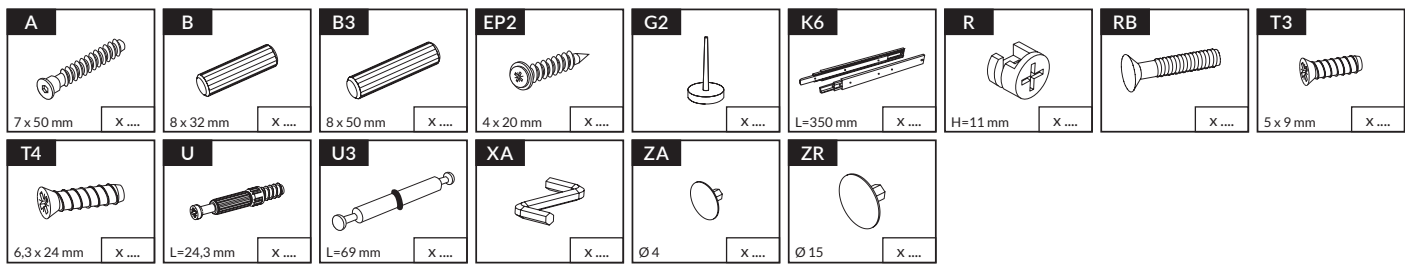
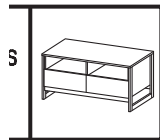
20



E-12L

E-12R





nr	↔ [mm]	↓ [mm]	∅ [mm]		Colli
E-1	1048	50	15	x2	1/1
E-2	510	50	15	x2	1/1
E-3	510	50	15	x2	1/1
E-4	510	50	15	x2	1/1
E-5	1016	570	16	x1	1/1
E-6	500	570	16	x2	1/1
E-7	1086	614	16	x1	1/1
E-8	360	570	16	x1	1/1
E-9	344	570	16	x1	1/1
E-10	360	570	16	x1	1/1
E-11	1048	202	16	x1	1/1
E-12L	520	202	16	x1	1/1
E-12R	520	202	16	x1	1/1
E-13	444	120	16	x2	1/1
E-14	350	120	16	x2	1/1
E-15	350	120	16	x2	1/1
E-16	476	356	3	x2	1/1

