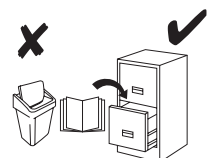
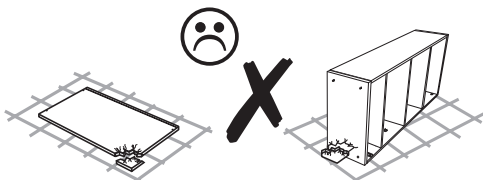
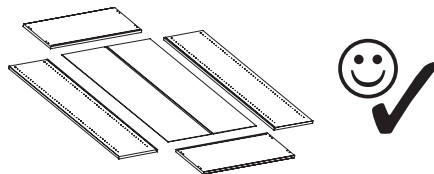
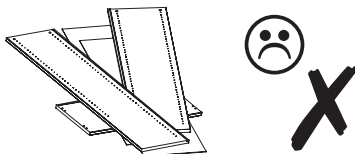
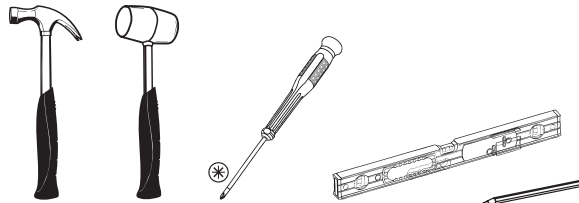
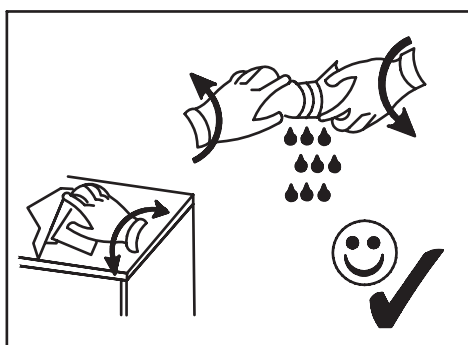
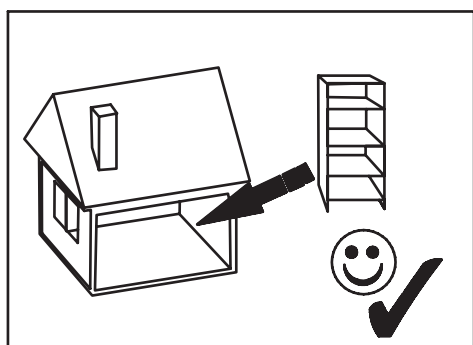
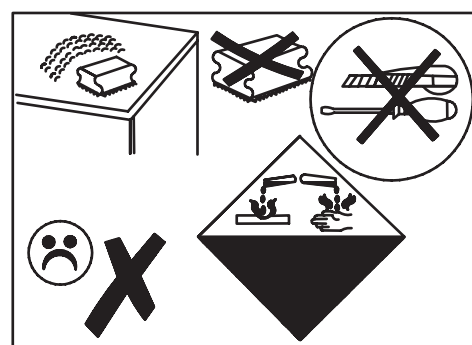
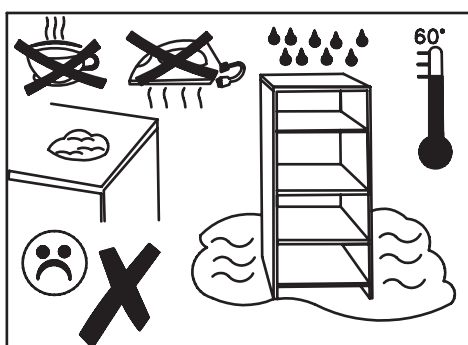
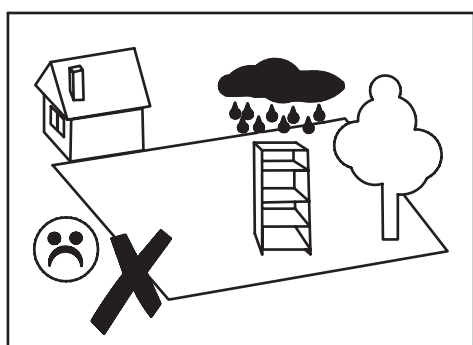
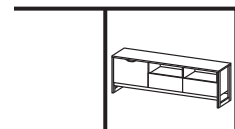
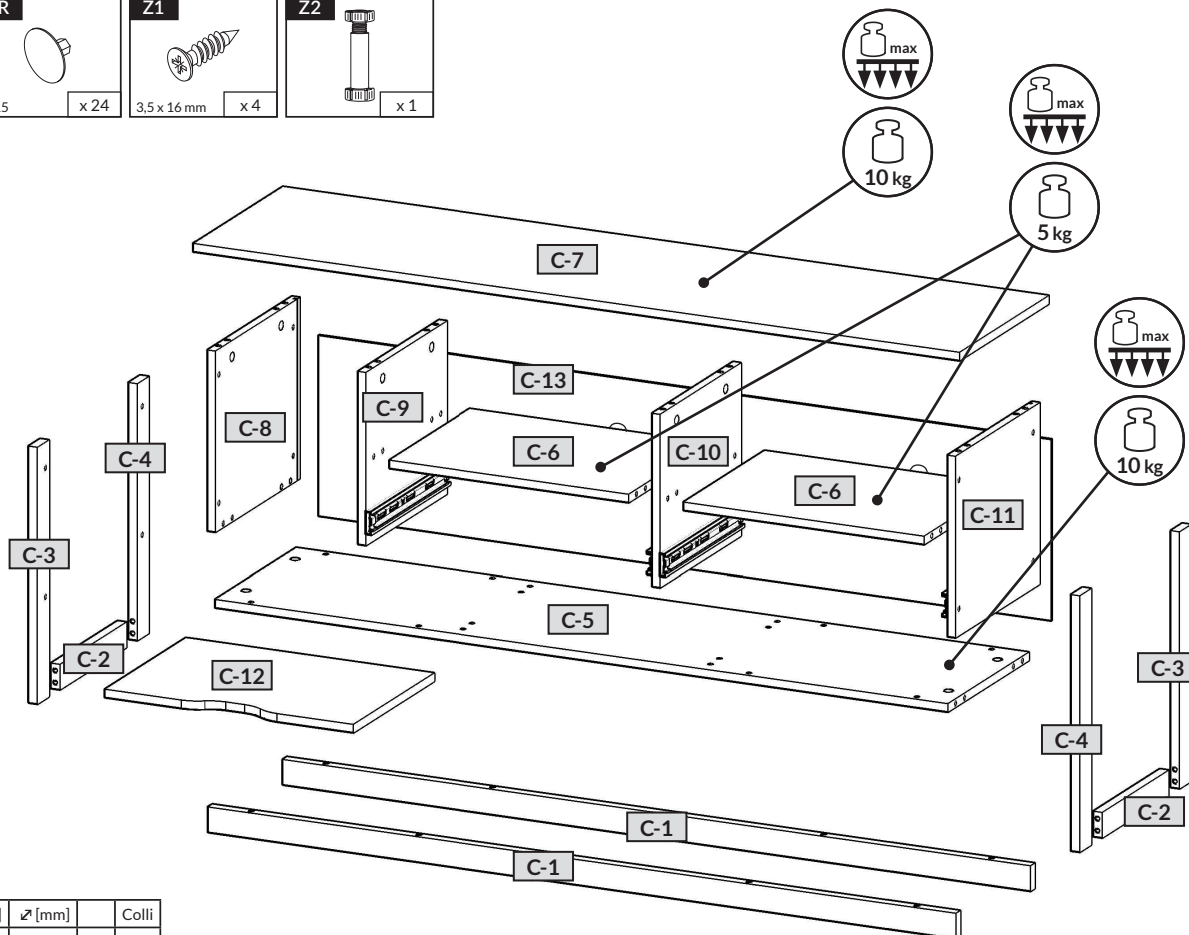
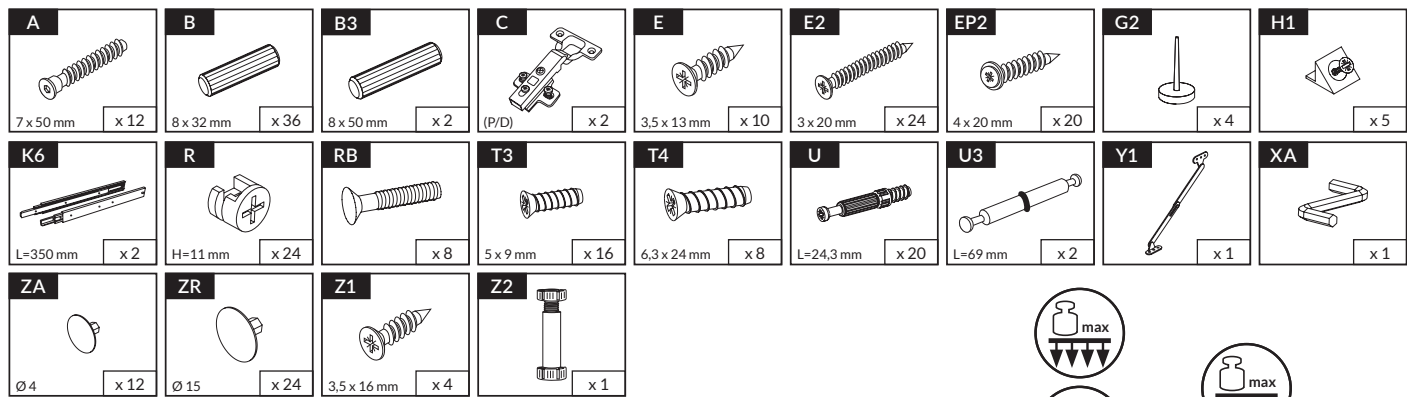
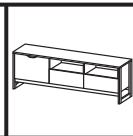


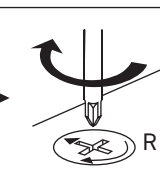
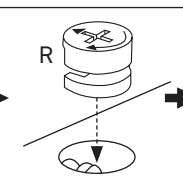
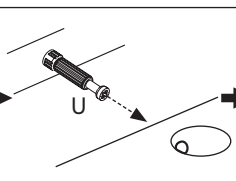
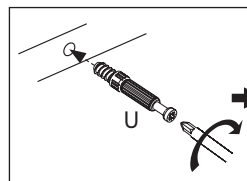
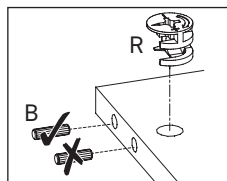
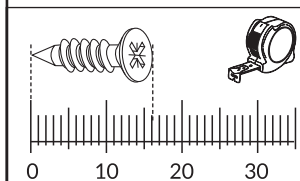
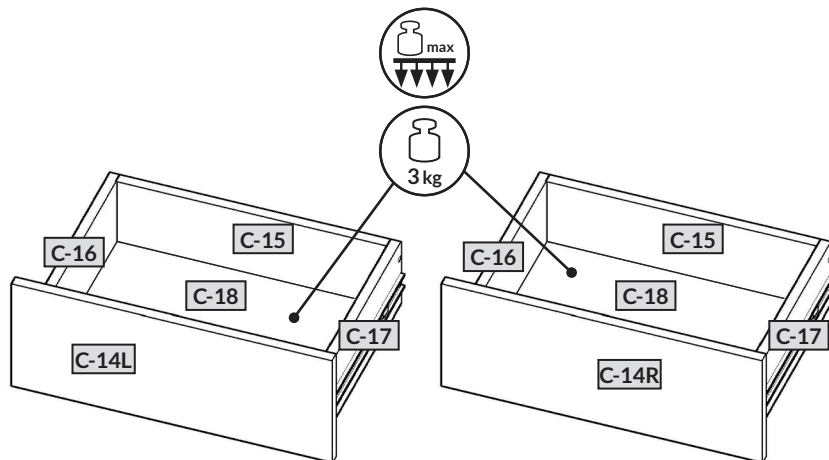
2023-09-06

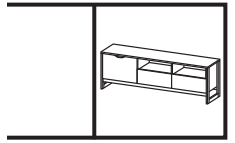






nr	↔ [mm]	↓ [mm]	∅ [mm]		Colli
C-1	1572	50	15	x 2	1/1
C-2	294	50	15	x 2	1/1
C-3	510	50	15	x 2	1/1
C-4	510	50	15	x 2	1/1
C-5	1540	359	16	x 1	1/1
C-6	500	359	16	x 2	1/1
C-7	1610	396	16	x 1	1/1
C-8	360	374	16	x 1	1/1
C-9	344	359	16	x 1	1/1
C-10	344	359	16	x 1	1/1
C-11	360	374	16	x 1	1/1
C-12	520	358	16	x 1	1/1
C-13	1555	367	3	x 1	1/1
C-14L	520	202	16	x 1	1/1
C-14R	520	202	16	x 1	1/1
C-15	444	120	16	x 2	1/1
C-16	350	120	16	x 2	1/1
C-17	350	120	16	x 2	1/1
C-18	474	356	3	x 2	1/1

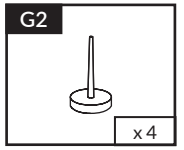
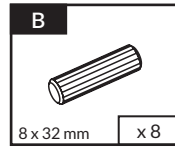
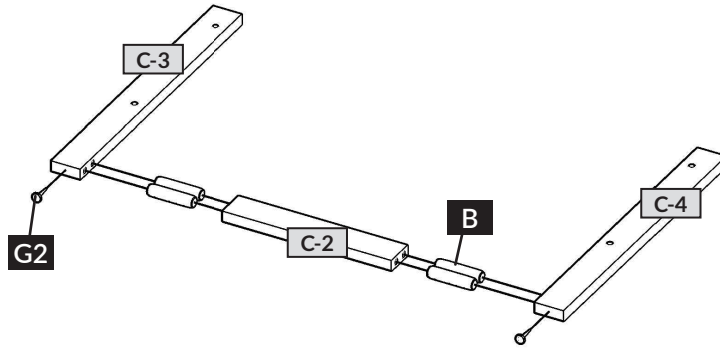




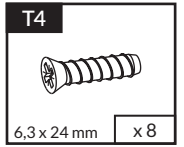
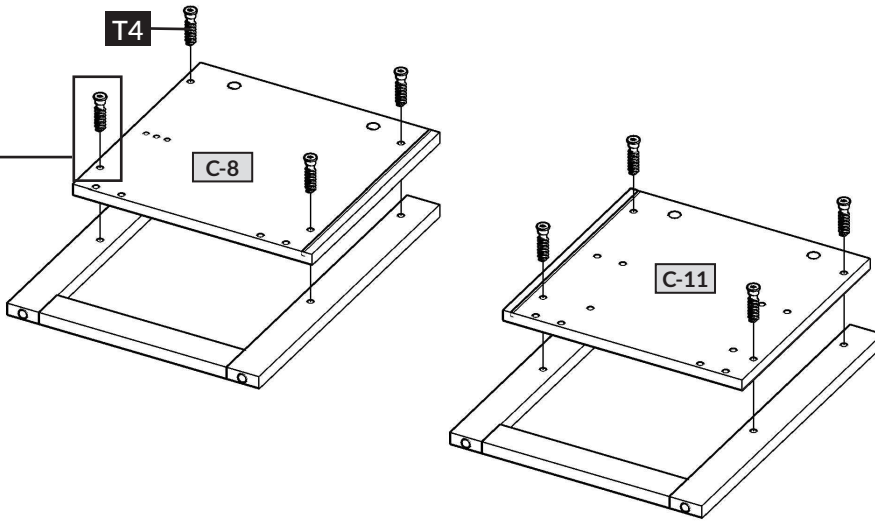
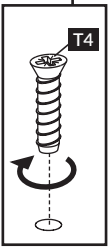
1



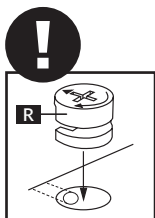
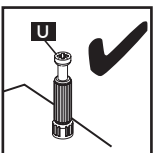
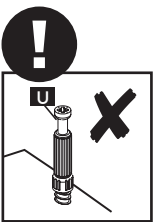
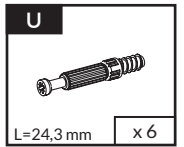
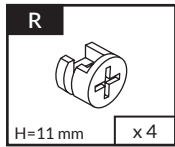
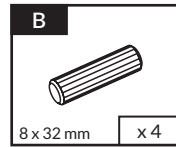
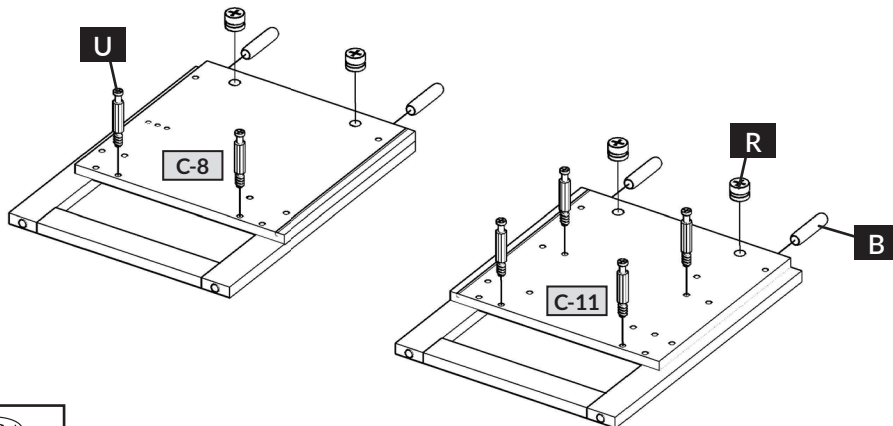
2x

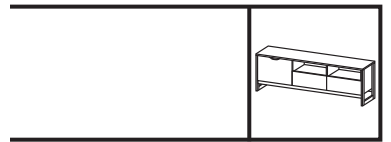


2

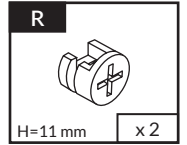
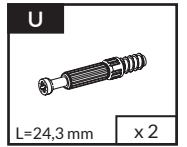
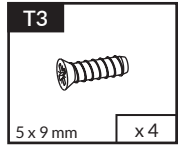
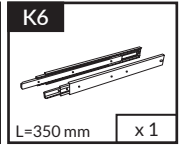
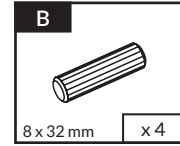
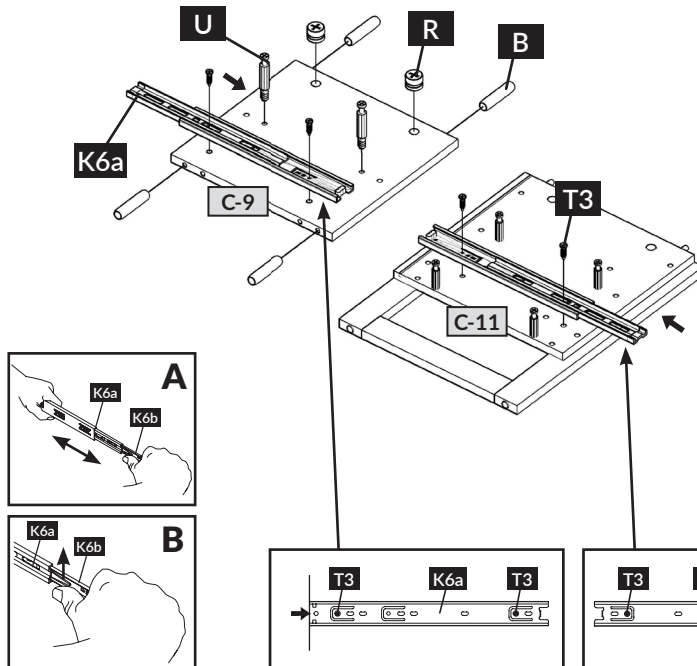
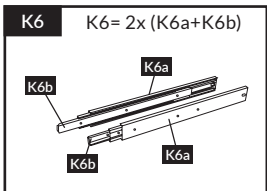
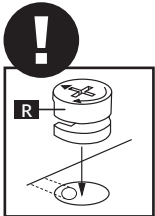
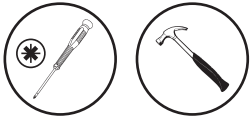


3

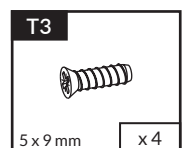
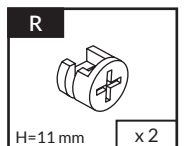
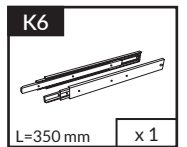
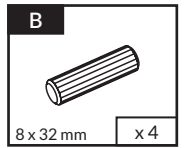
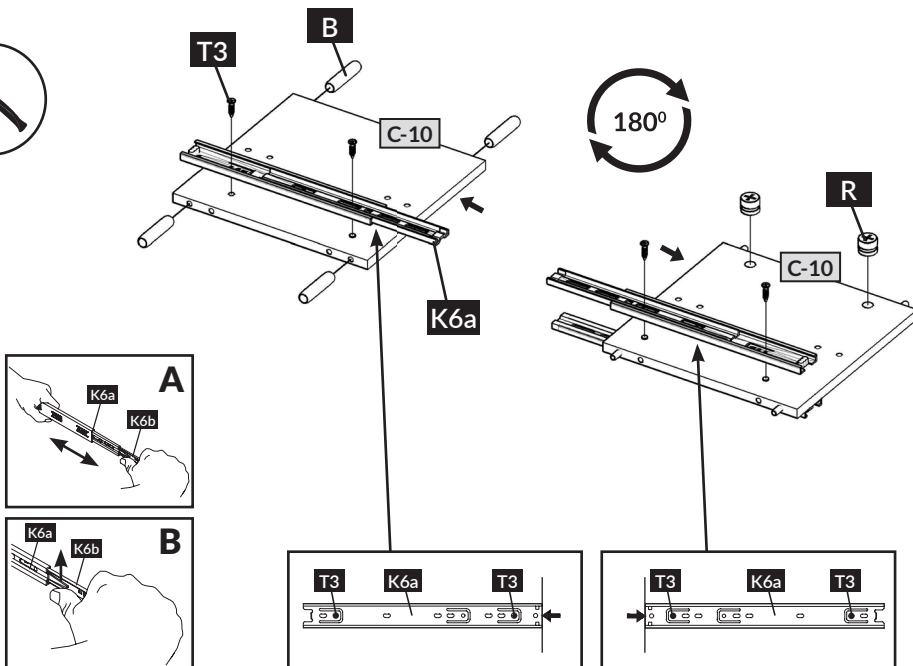
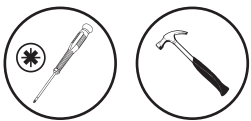




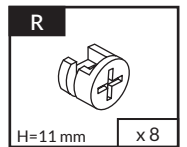
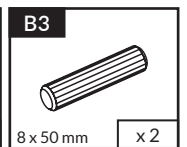
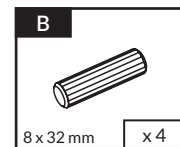
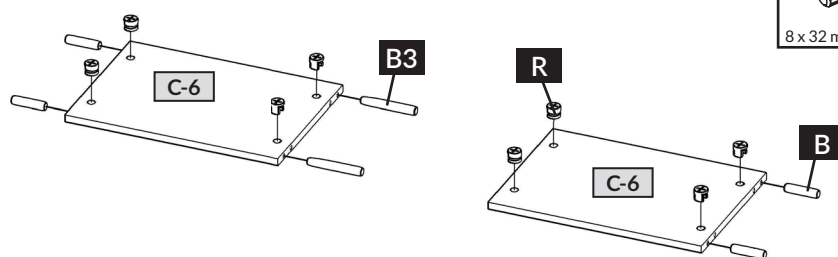
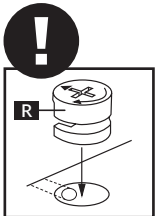
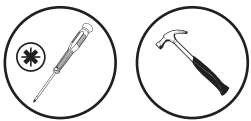
4



5

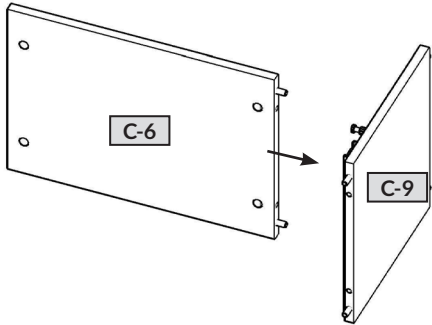
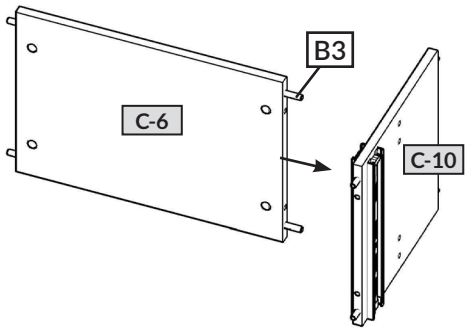


6

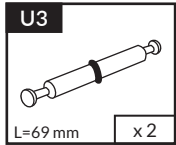
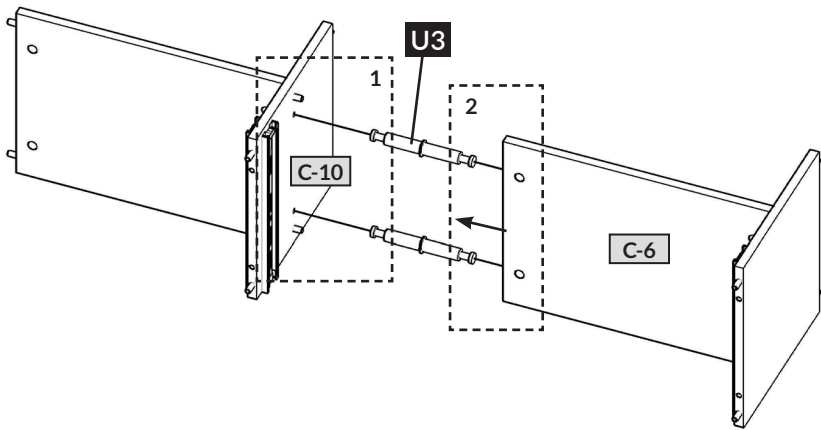




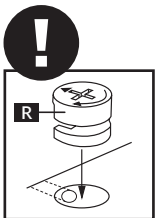
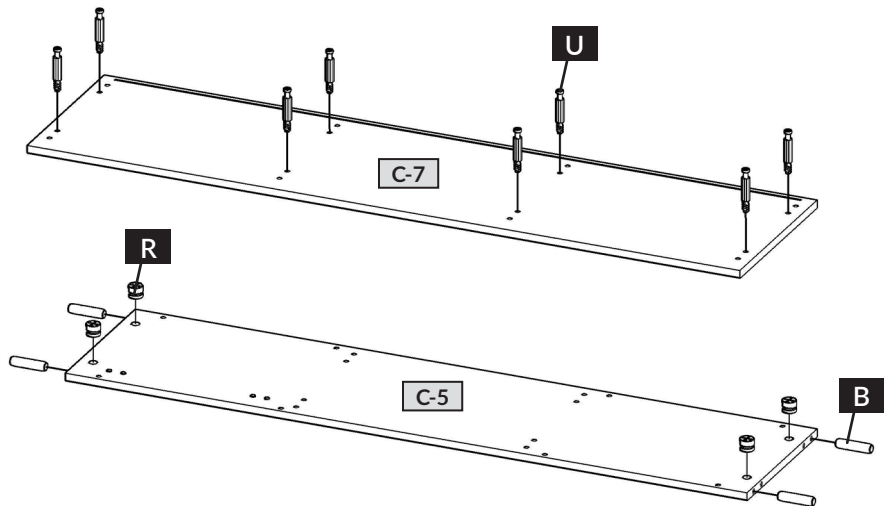
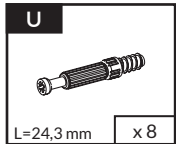
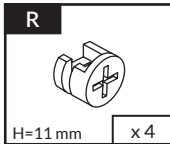
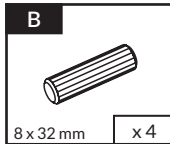
7



8

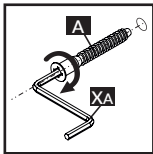
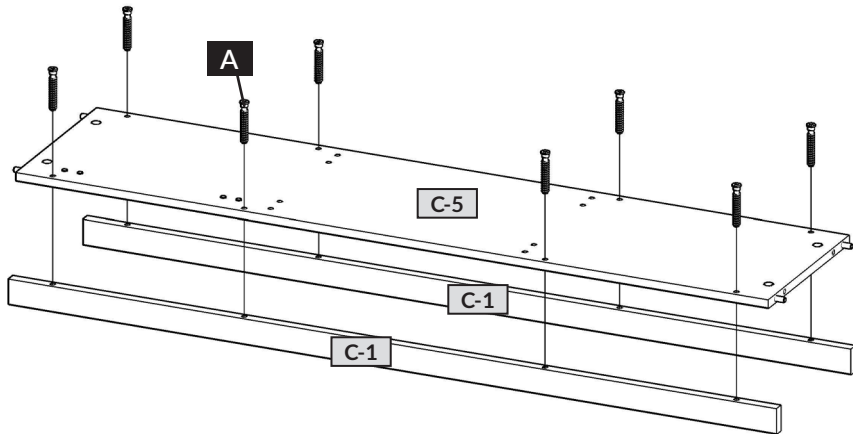
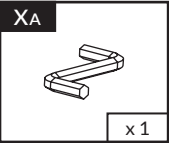
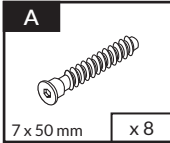


9

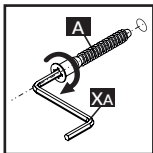
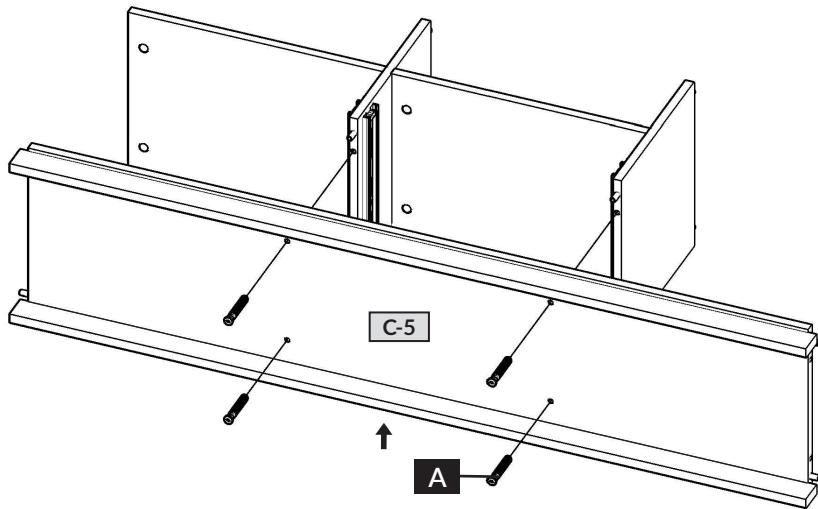
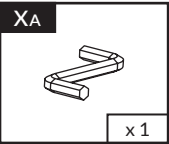
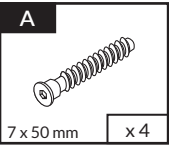


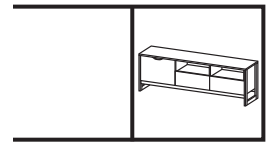


10

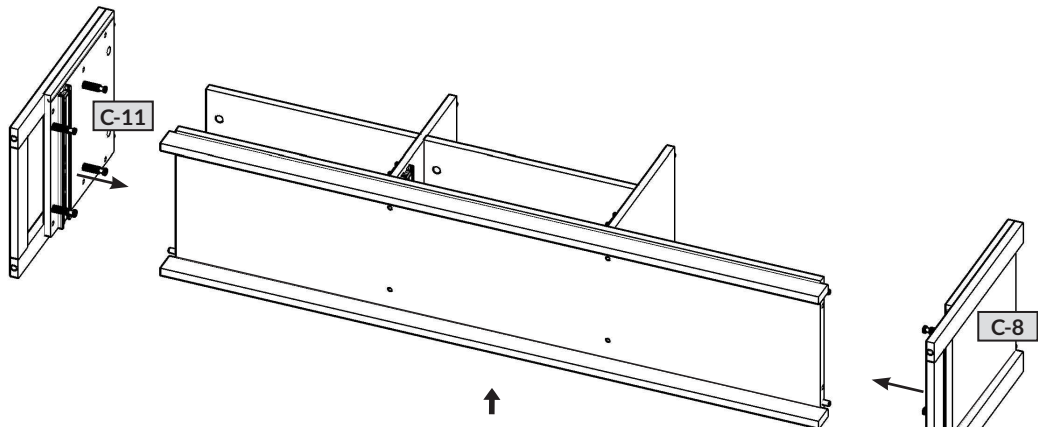


11

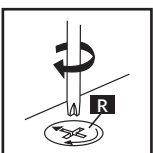
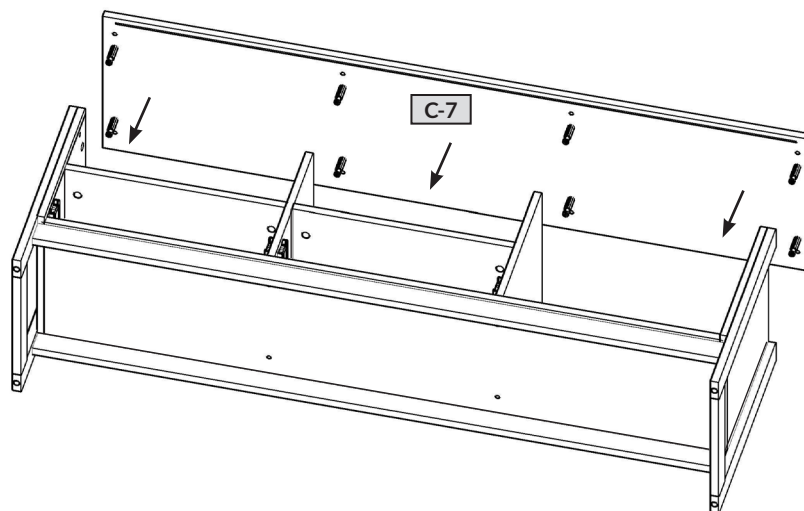




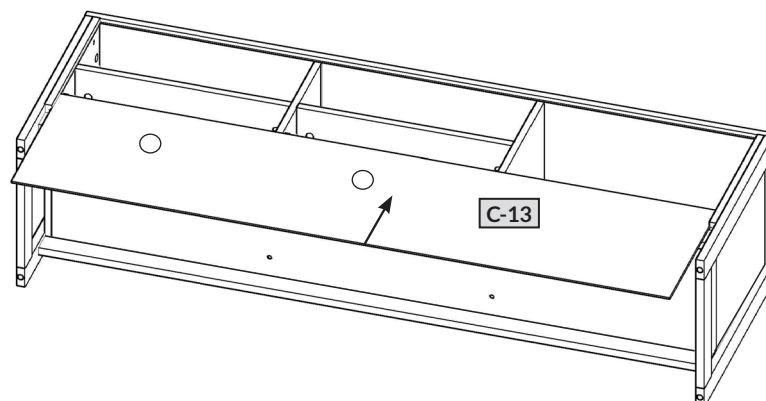
12



13



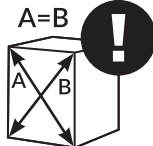
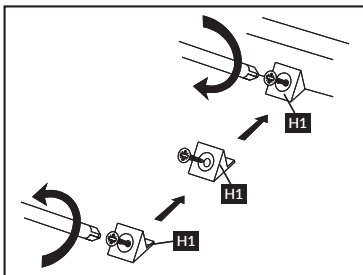
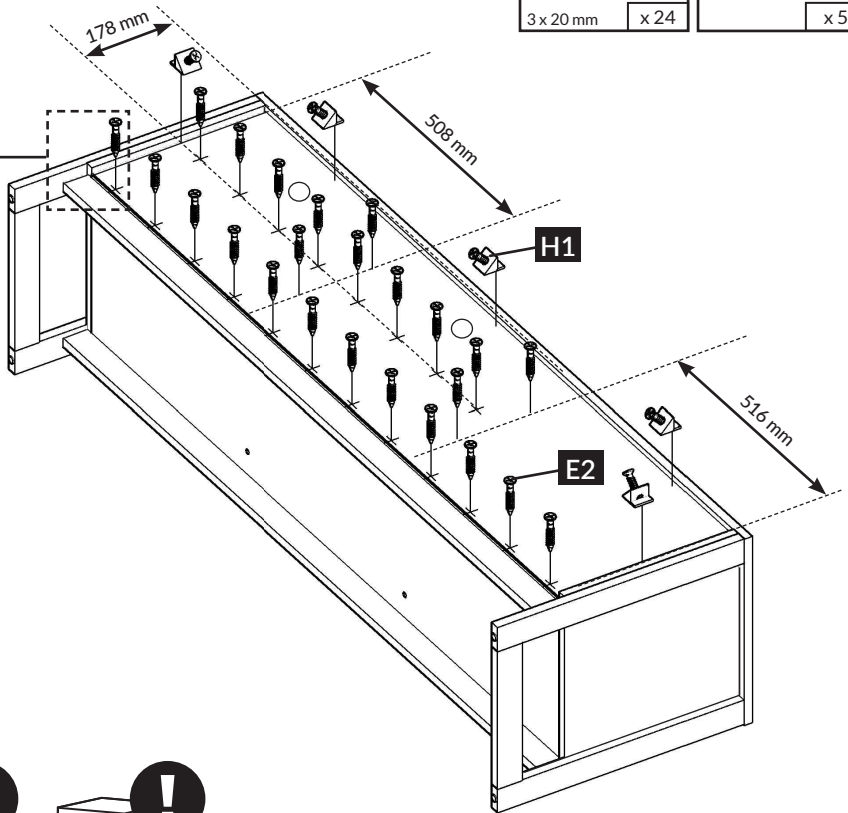
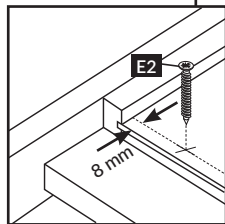
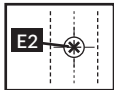
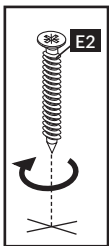
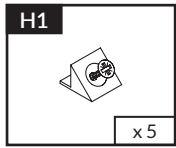
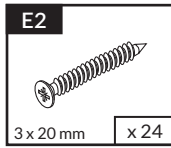
14



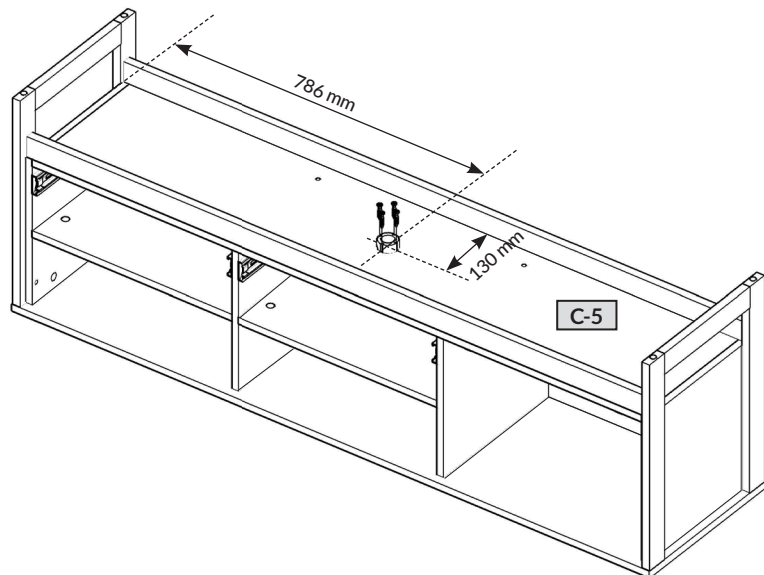
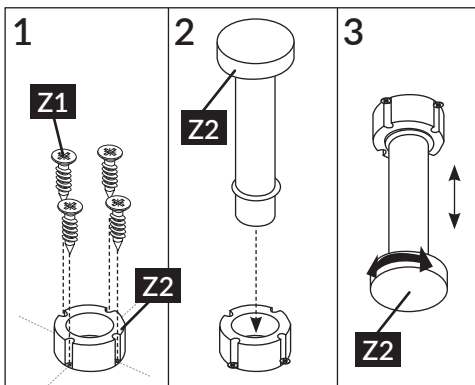
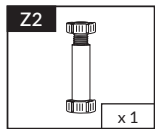
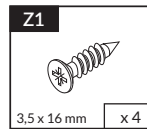




15

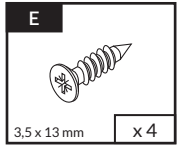
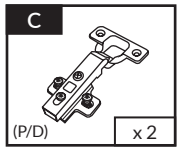
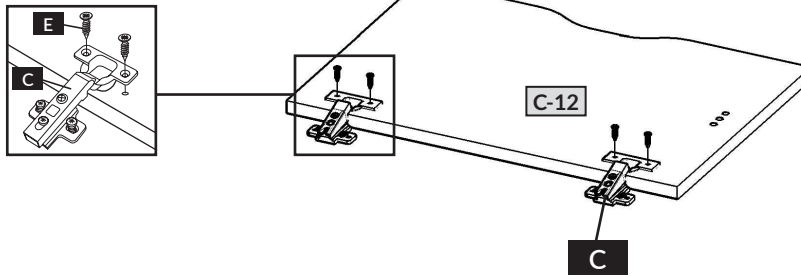


16

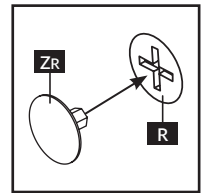
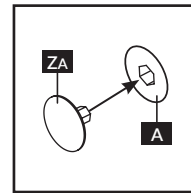
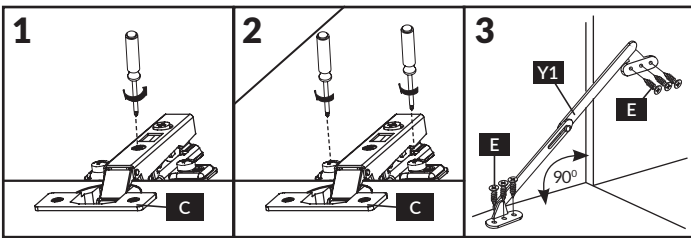
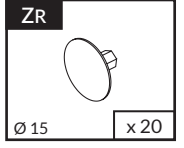
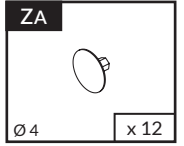
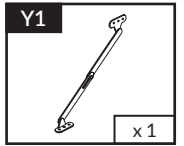
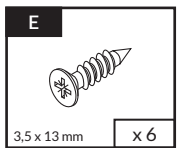
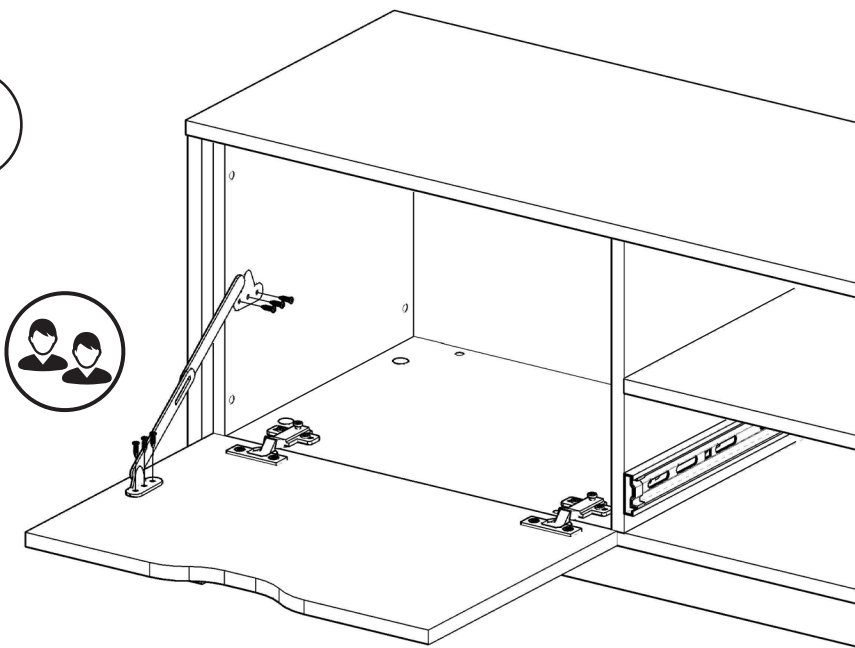
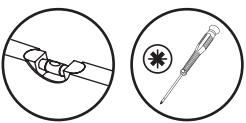




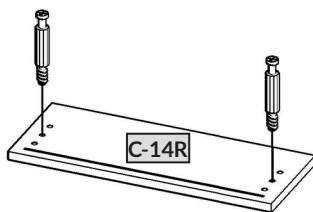
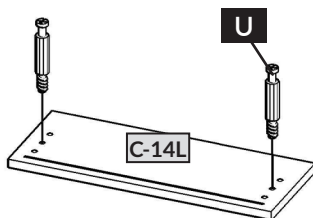
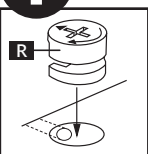
17



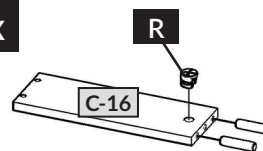
18



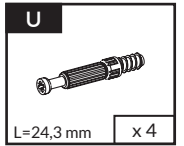
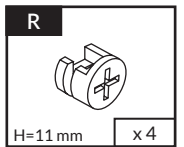
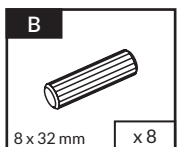
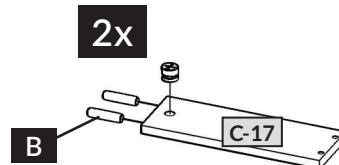
19

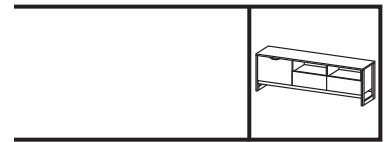


2x

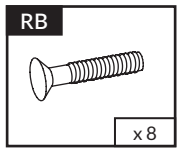
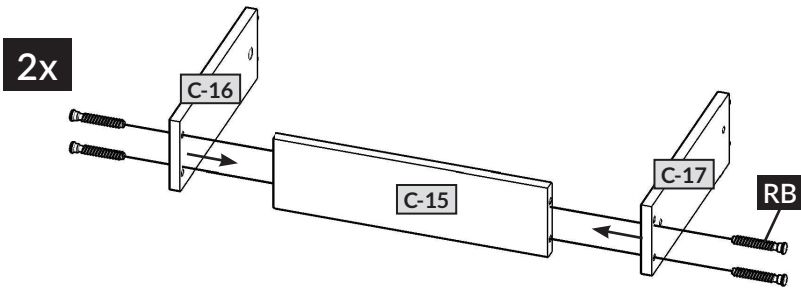


2x

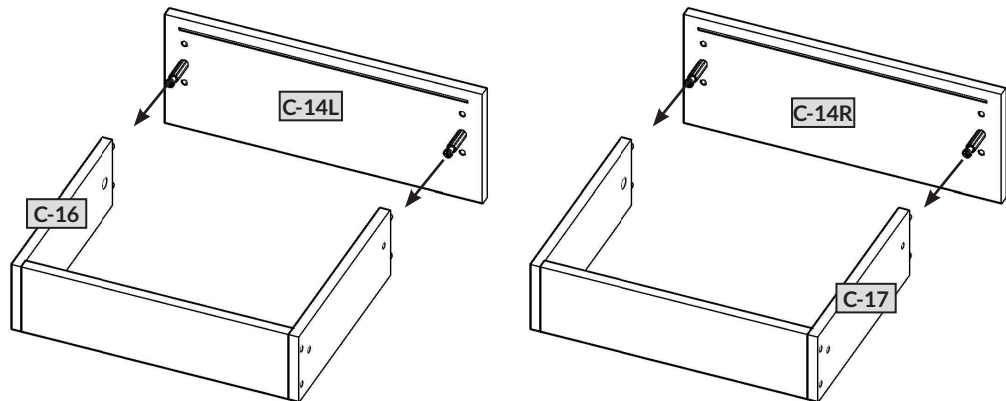




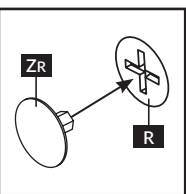
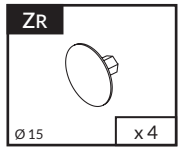
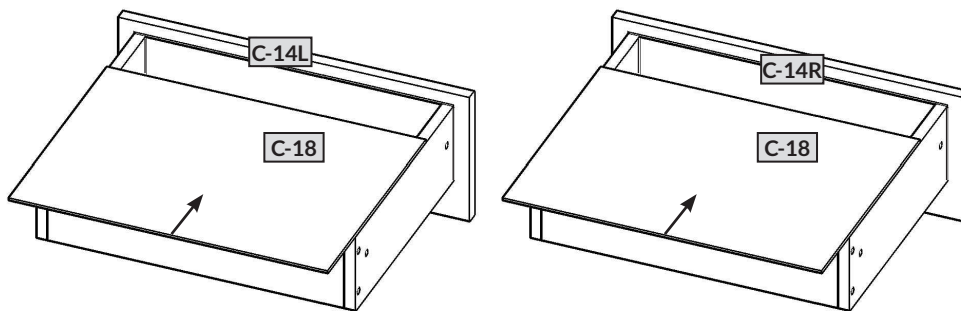
20



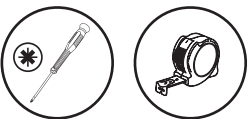
21



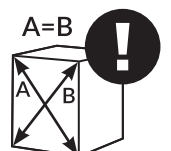
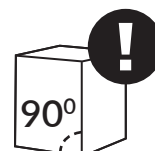
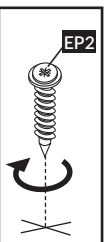
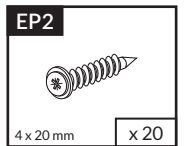
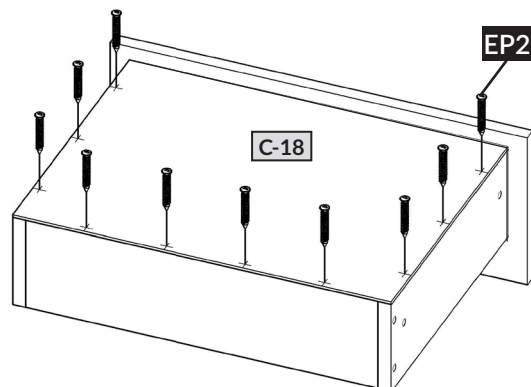
22



23



2x

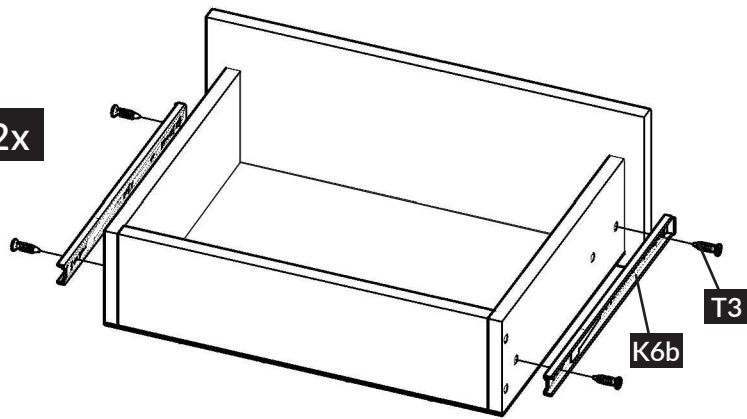




24



2x

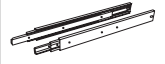


T3



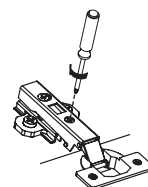
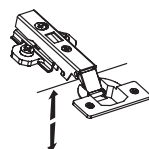
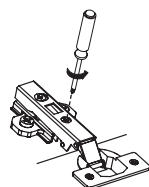
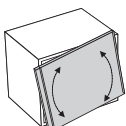
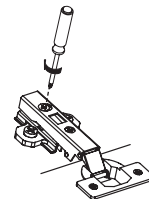
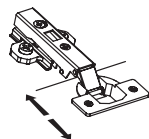
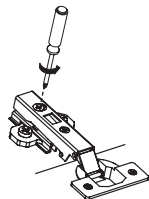
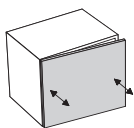
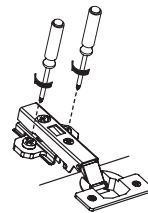
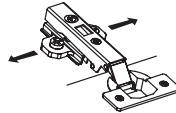
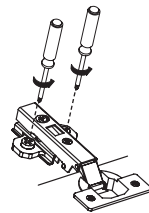
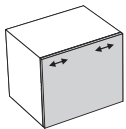
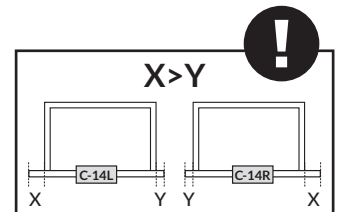
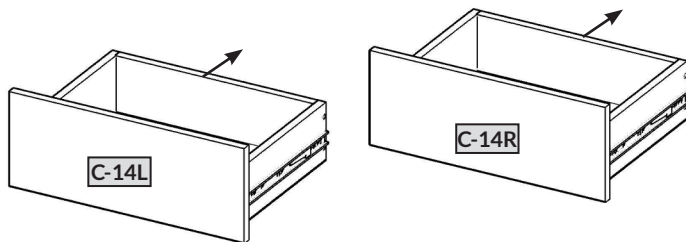
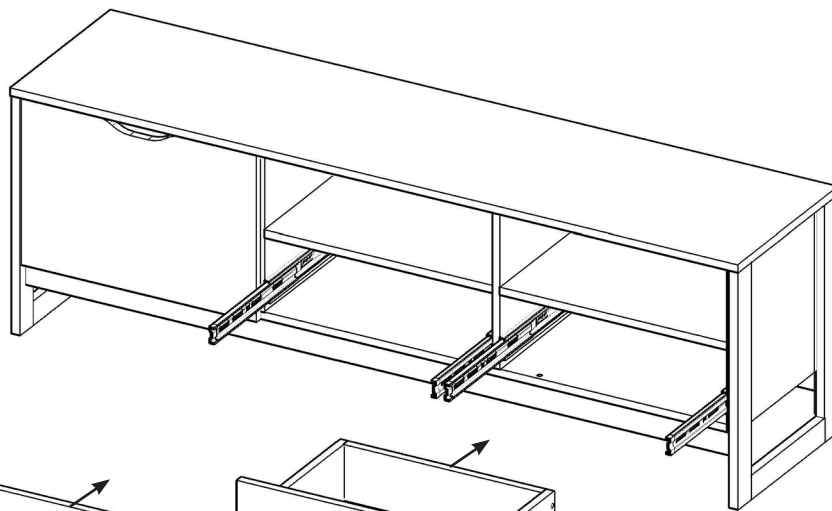
5 x 9 mm x 8

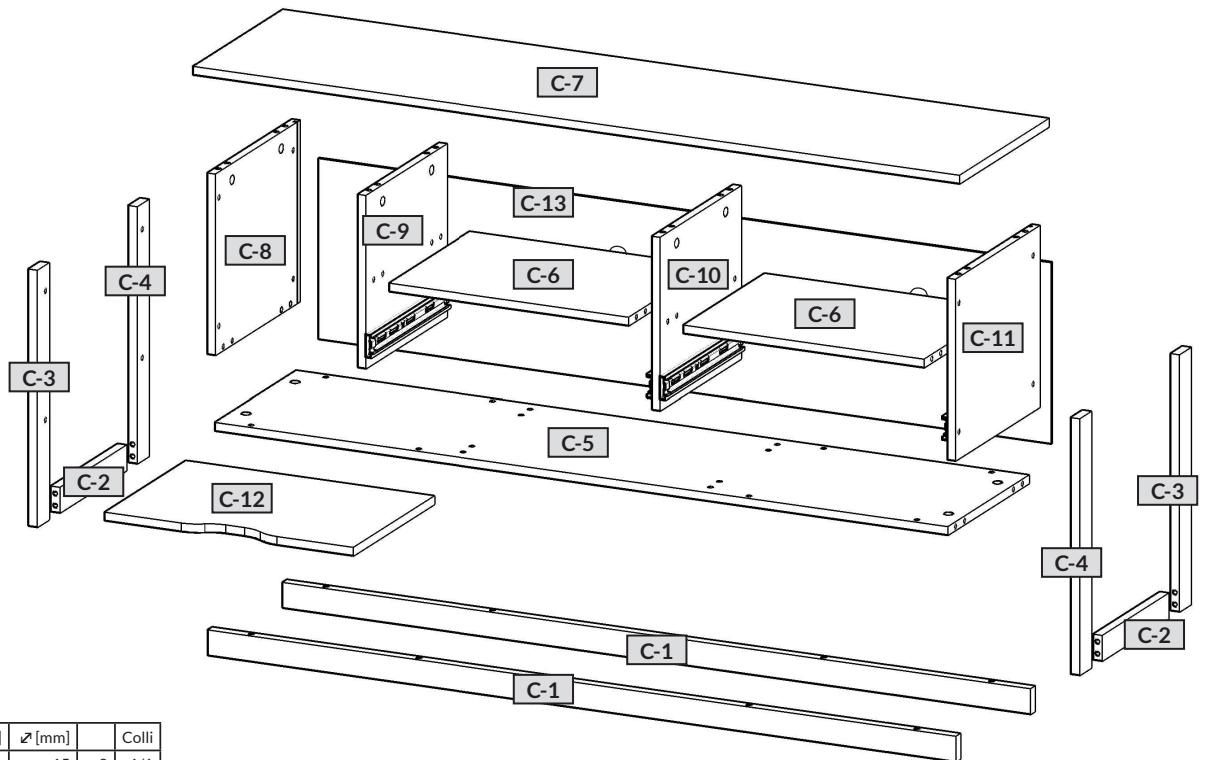
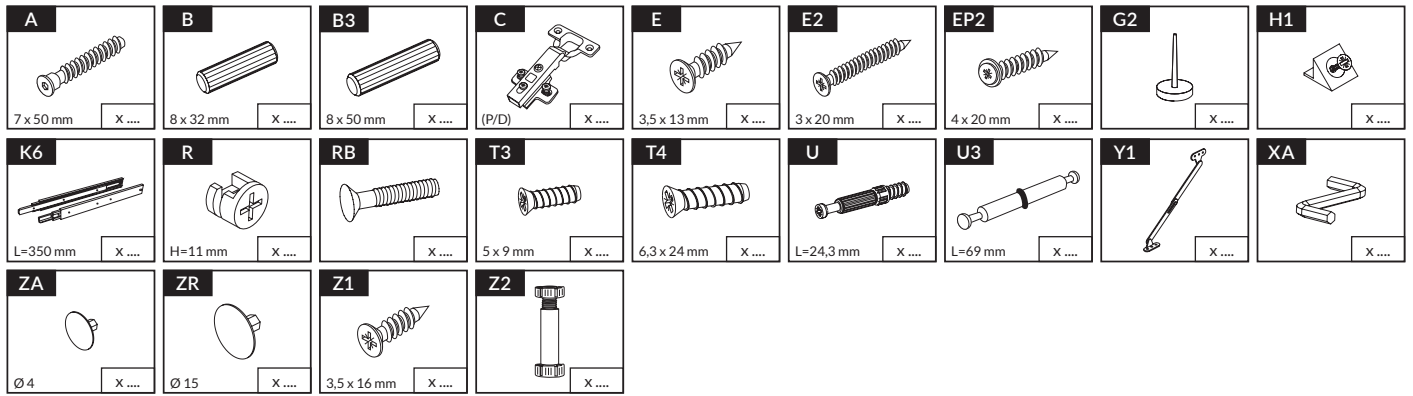
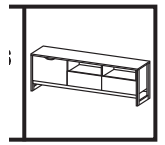
K6



L=350 mm x 2

25





nr	↔ [mm]	↓ [mm]	∅ [mm]		Colli
C-1	1572	50	15	x 2	1/1
C-2	294	50	15	x 2	1/1
C-3	510	50	15	x 2	1/1
C-4	510	50	15	x 2	1/1
C-5	1540	359	16	x 1	1/1
C-6	500	359	16	x 2	1/1
C-7	1610	396	16	x 1	1/1
C-8	360	374	16	x 1	1/1
C-9	344	359	16	x 1	1/1
C-10	344	359	16	x 1	1/1
C-11	360	374	16	x 1	1/1
C-12	520	358	16	x 1	1/1
C-13	1555	367	3	x 1	1/1
C-14L	520	202	16	x 1	1/1
C-14R	520	202	16	x 1	1/1
C-15	444	120	16	x 2	1/1
C-16	350	120	16	x 2	1/1
C-17	350	120	16	x 2	1/1
C-18	474	356	3	x 2	1/1

