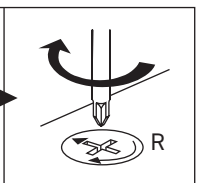
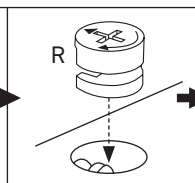
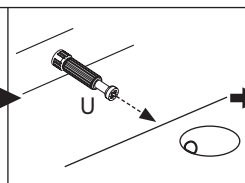
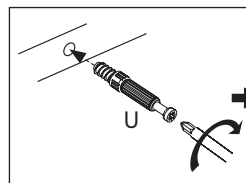
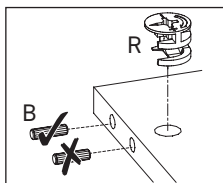
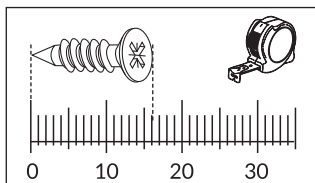
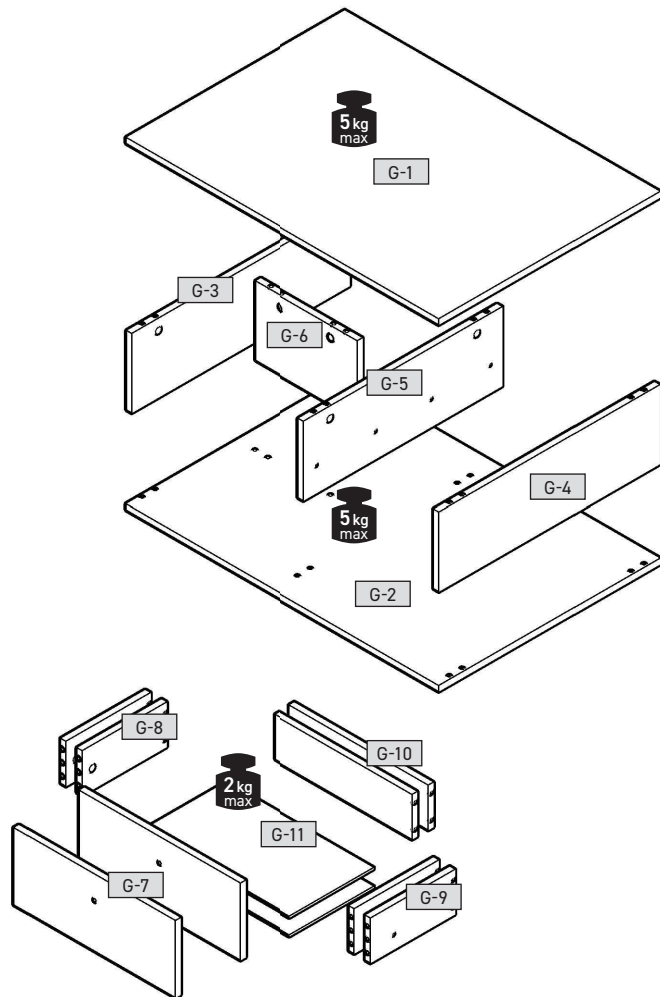
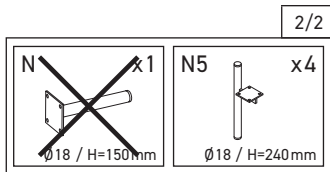


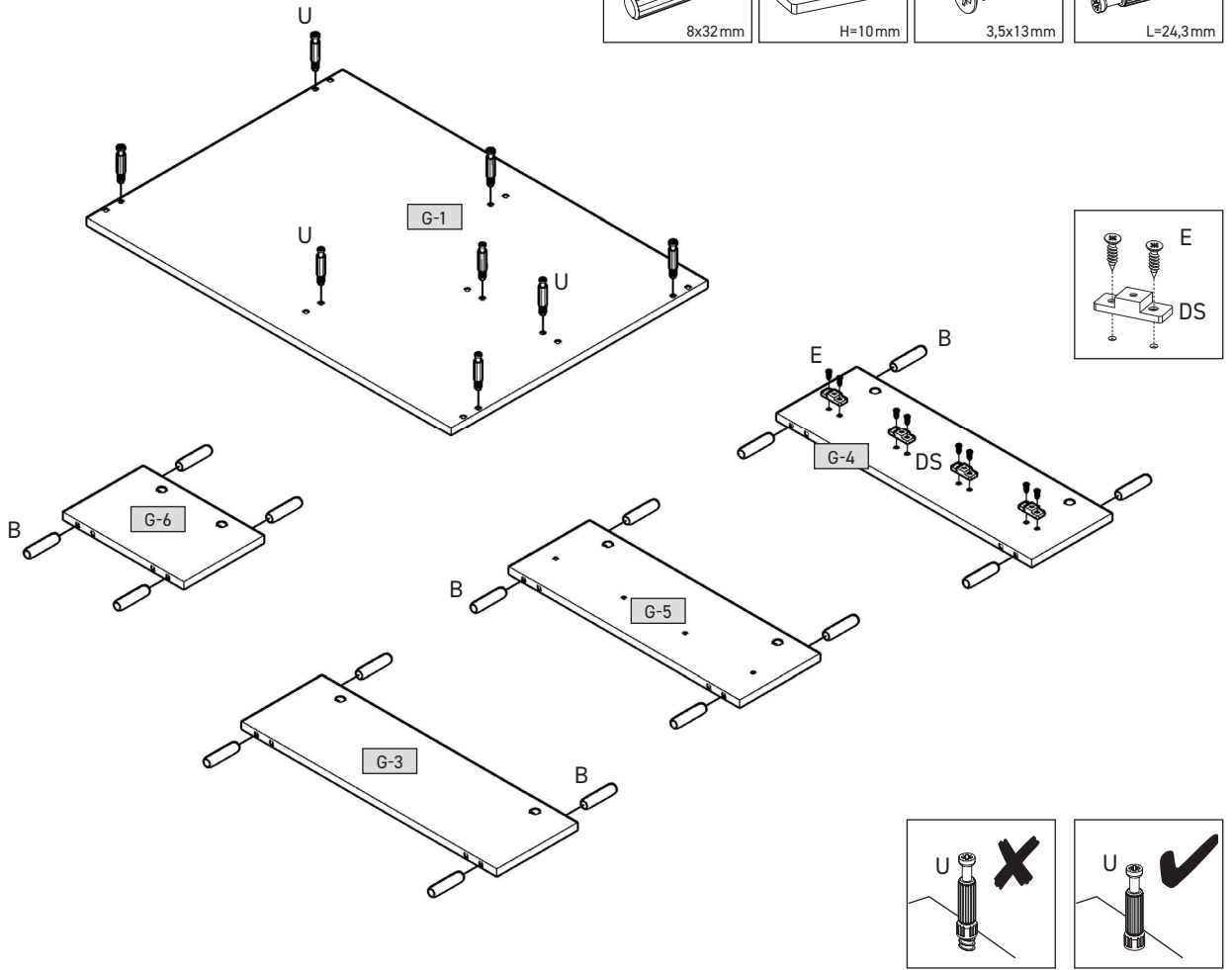
G-1	969	600	16	x1	1/2
G-2	969	600	16	x1	1/2
G-3	212	598	16	x1	1/2
G-4	212	598	16	x1	1/2
G-5	212	530	16	x1	1/2
G-6	212	320	16	x1	1/2
G-7	206	496	16	x2	1/2
G-8	260	120	16	x2	1/2
G-9	260	120	16	x2	1/2
G-10	426	120	16	x2	1/2
G-11	456	266	3	x2	1/2



1



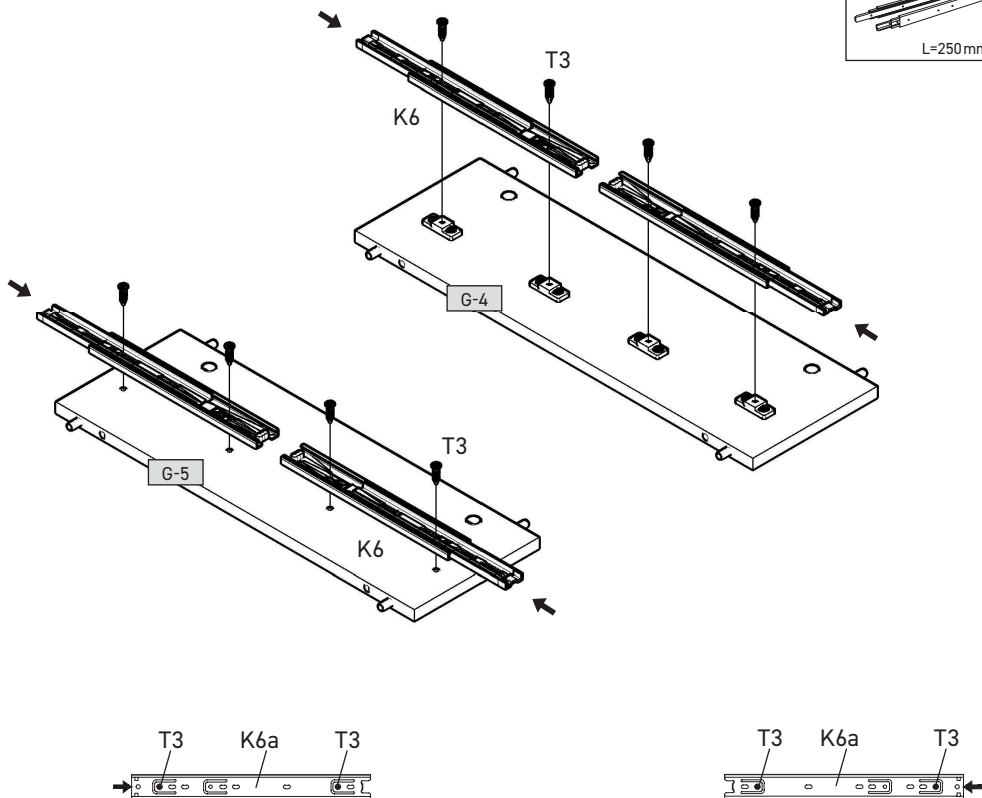
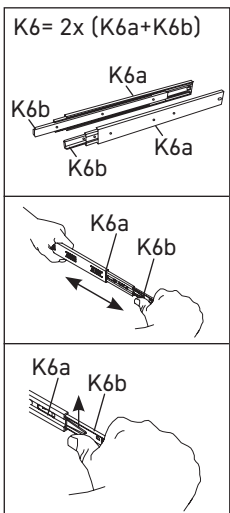
<b>B</b> x16 8x32mm	<b>DS</b> x4 H=10mm	<b>E</b> x8 3,5x13mm	<b>U</b> x8 L=24,3mm
------------------------	------------------------	-------------------------	-------------------------



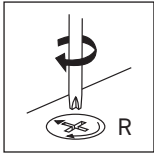
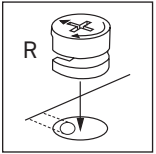
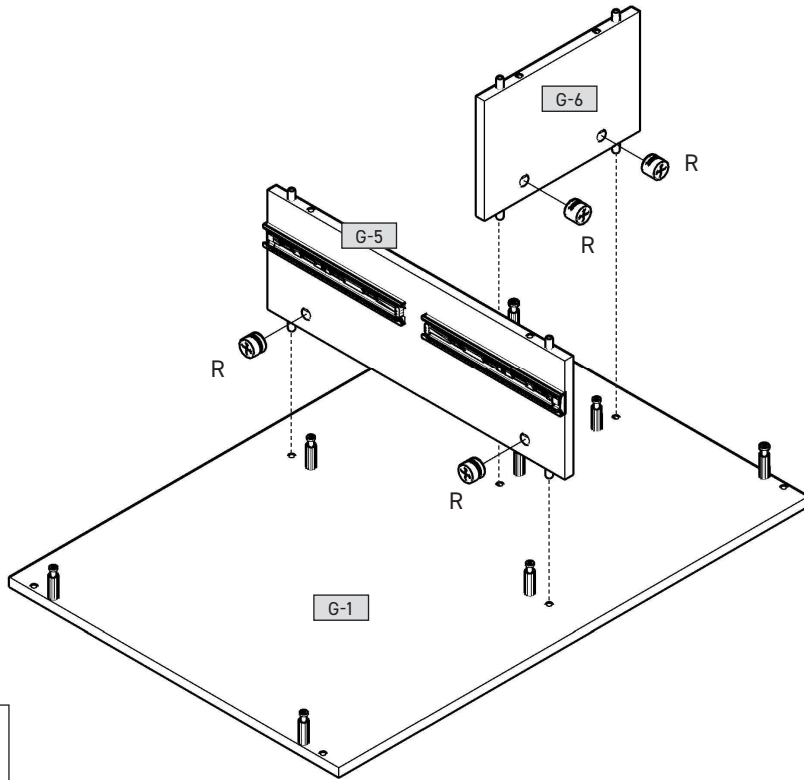
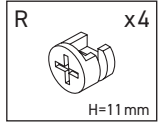
2



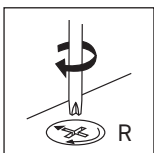
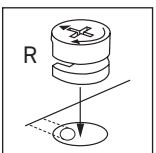
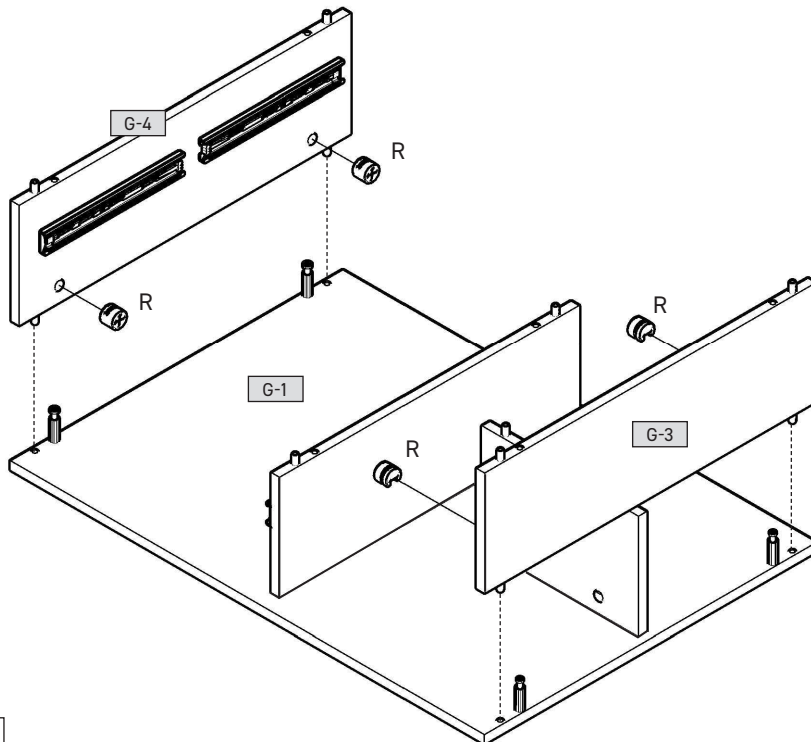
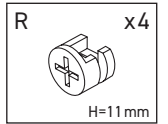
<b>K6</b> x2 L=250mm	<b>T3</b> x8 5x9mm
-------------------------	-----------------------



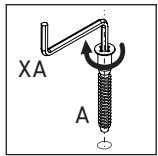
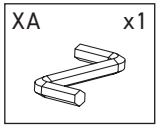
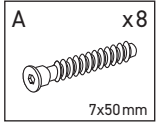
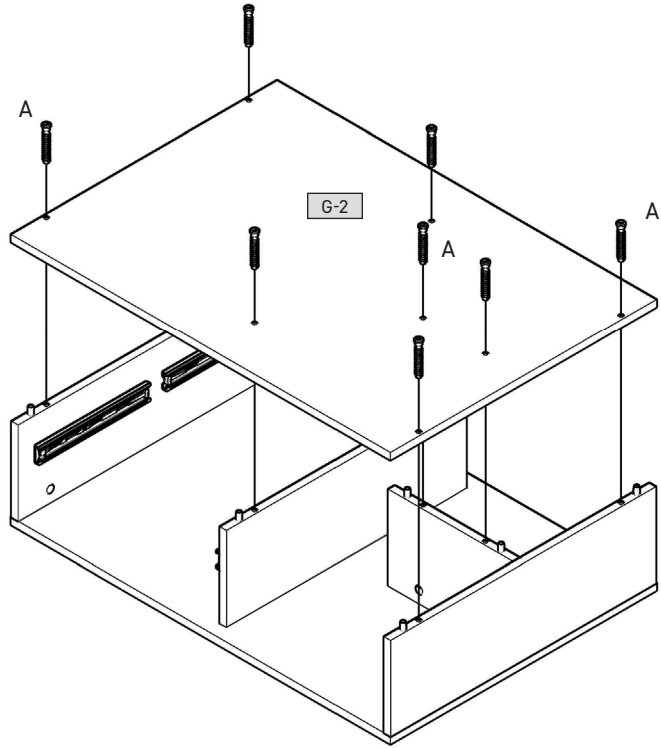
3



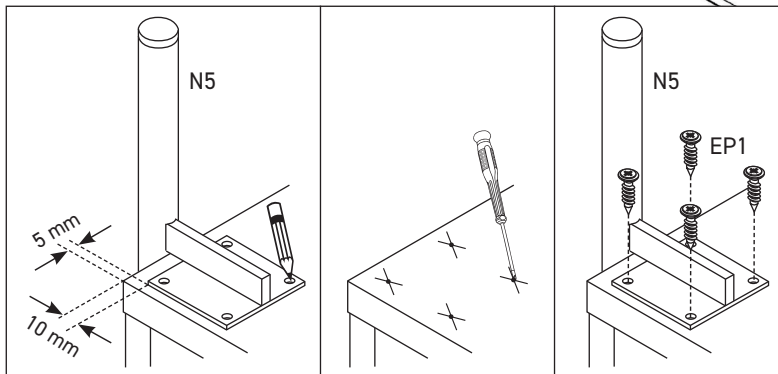
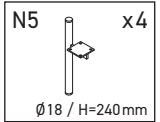
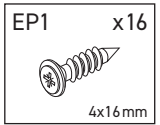
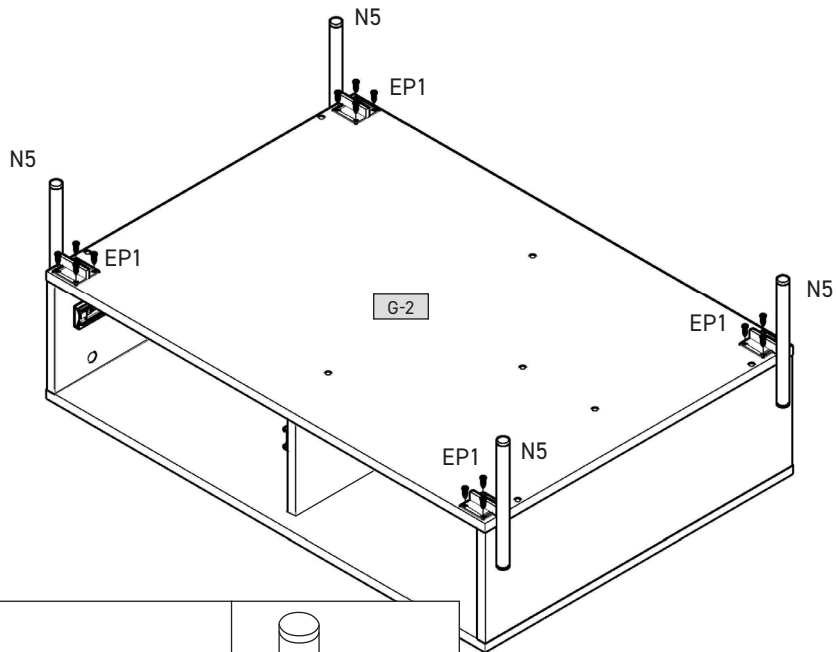
4



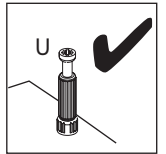
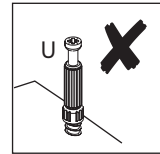
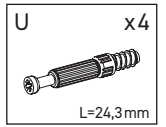
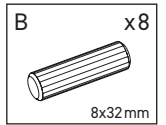
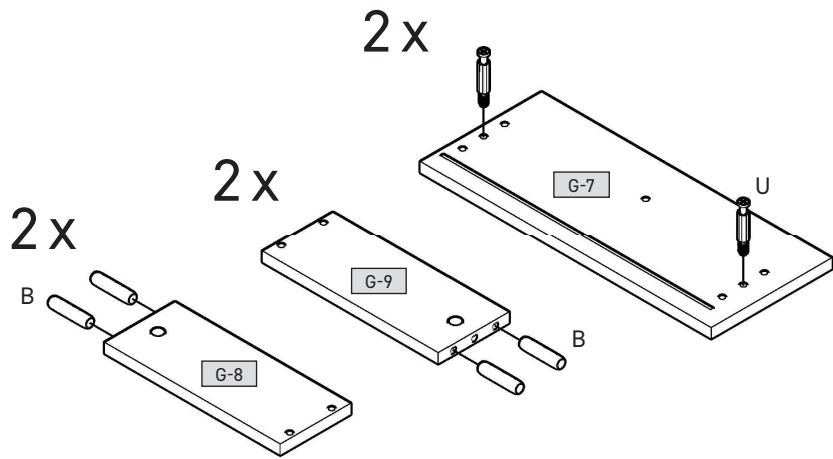
5



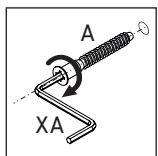
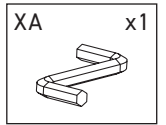
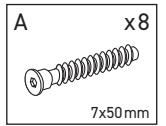
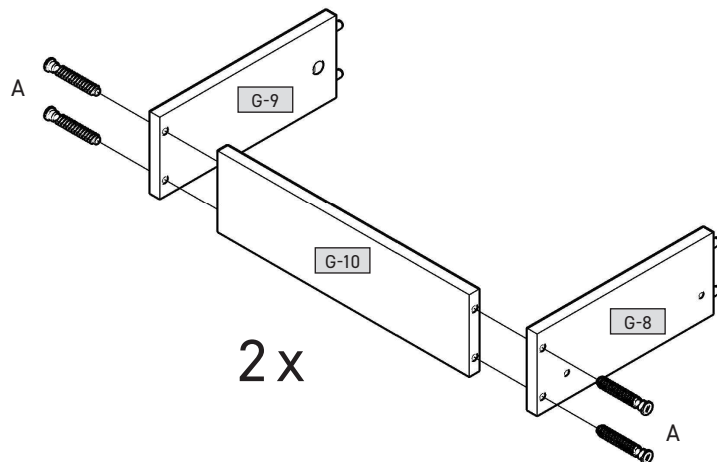
6



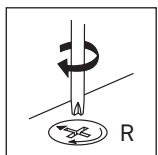
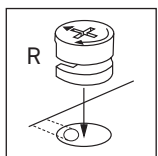
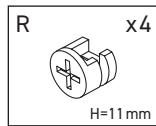
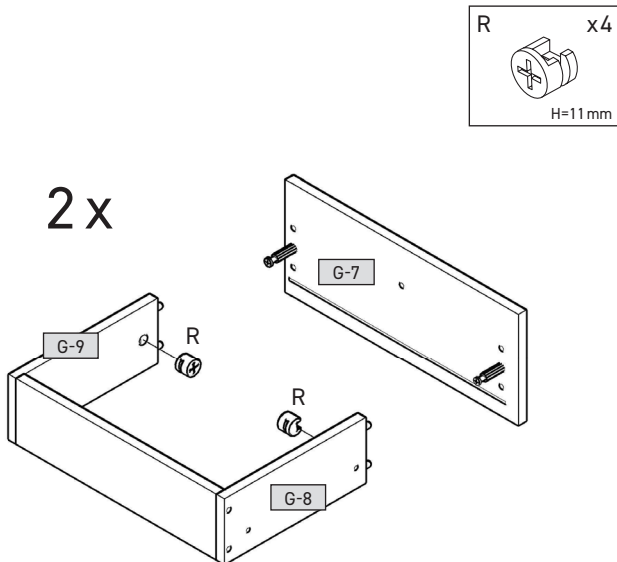
7



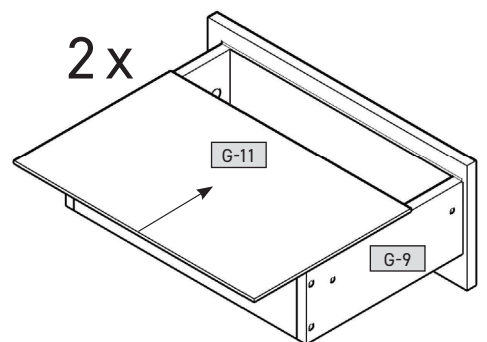
8



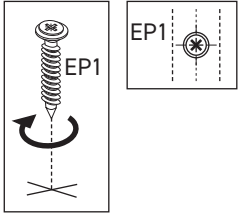
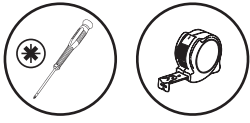
9



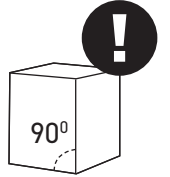
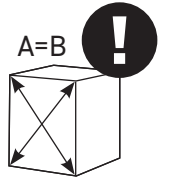
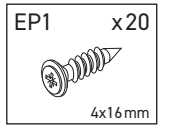
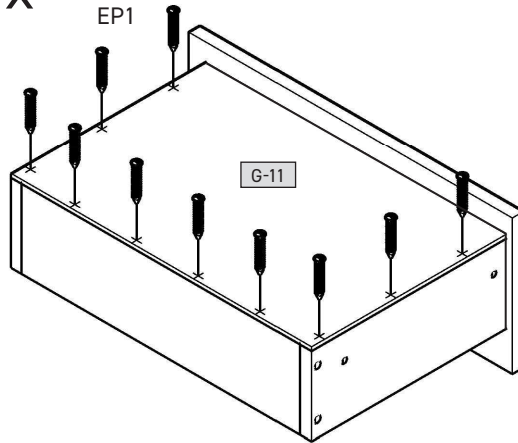
10



11



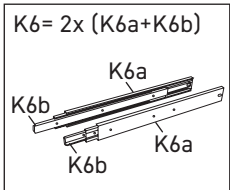
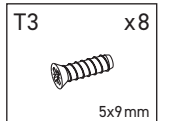
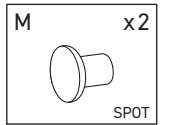
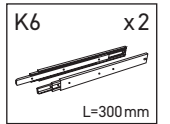
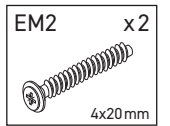
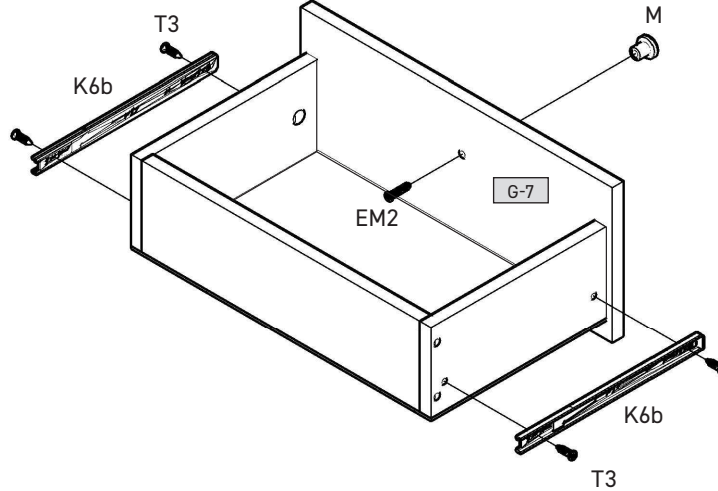
2 x



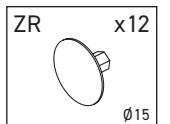
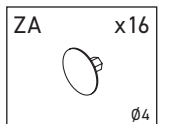
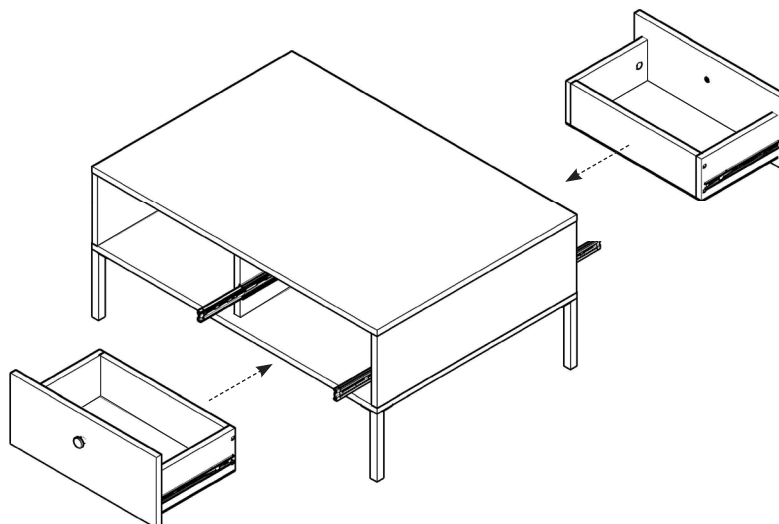
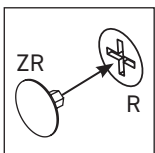
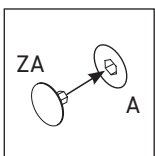
12



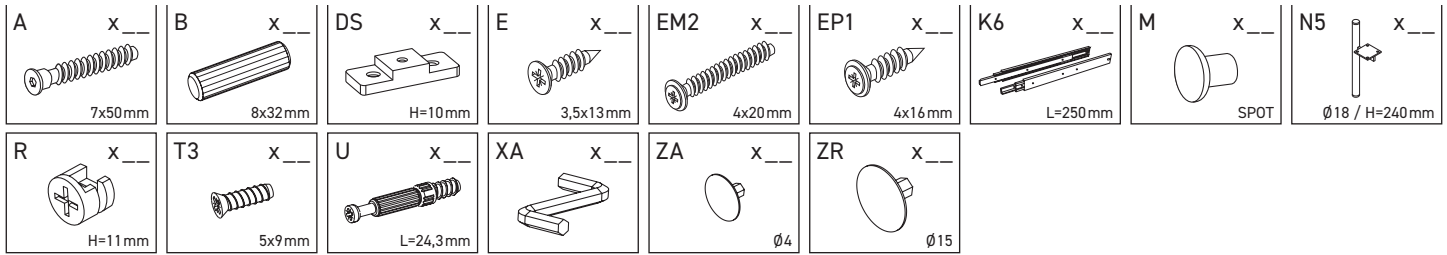
2 x



13







G-1	969	600	16	x 1	1/2
G-2	969	600	16	x 1	1/2
G-3	212	598	16	x 1	1/2
G-4	212	598	16	x 1	1/2
G-5	212	530	16	x 1	1/2
G-6	212	320	16	x 1	1/2
G-7	206	496	16	x 2	1/2
G-8	260	120	16	x 2	1/2
G-9	260	120	16	x 2	1/2
G-10	426	120	16	x 2	1/2
G-11	456	266	3	x 2	1/2

