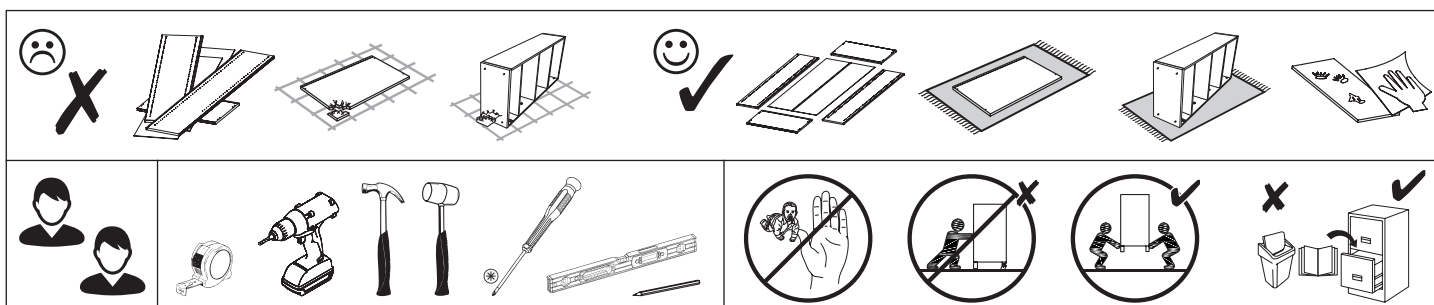
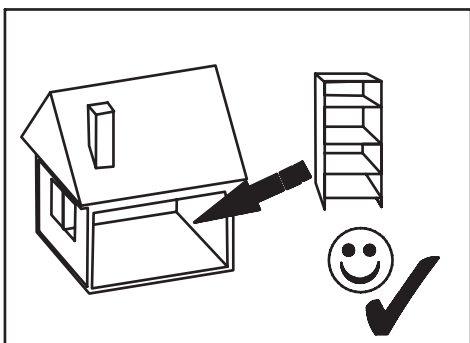
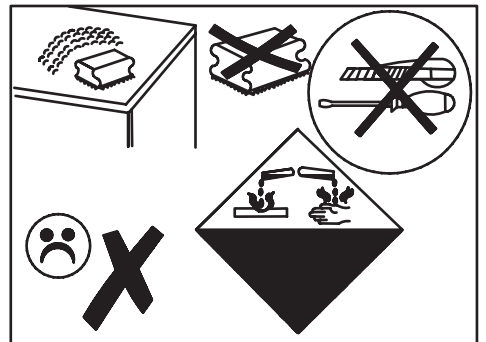
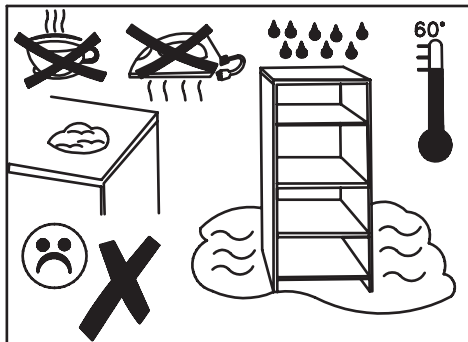
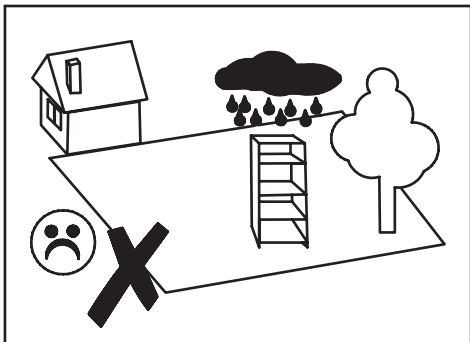
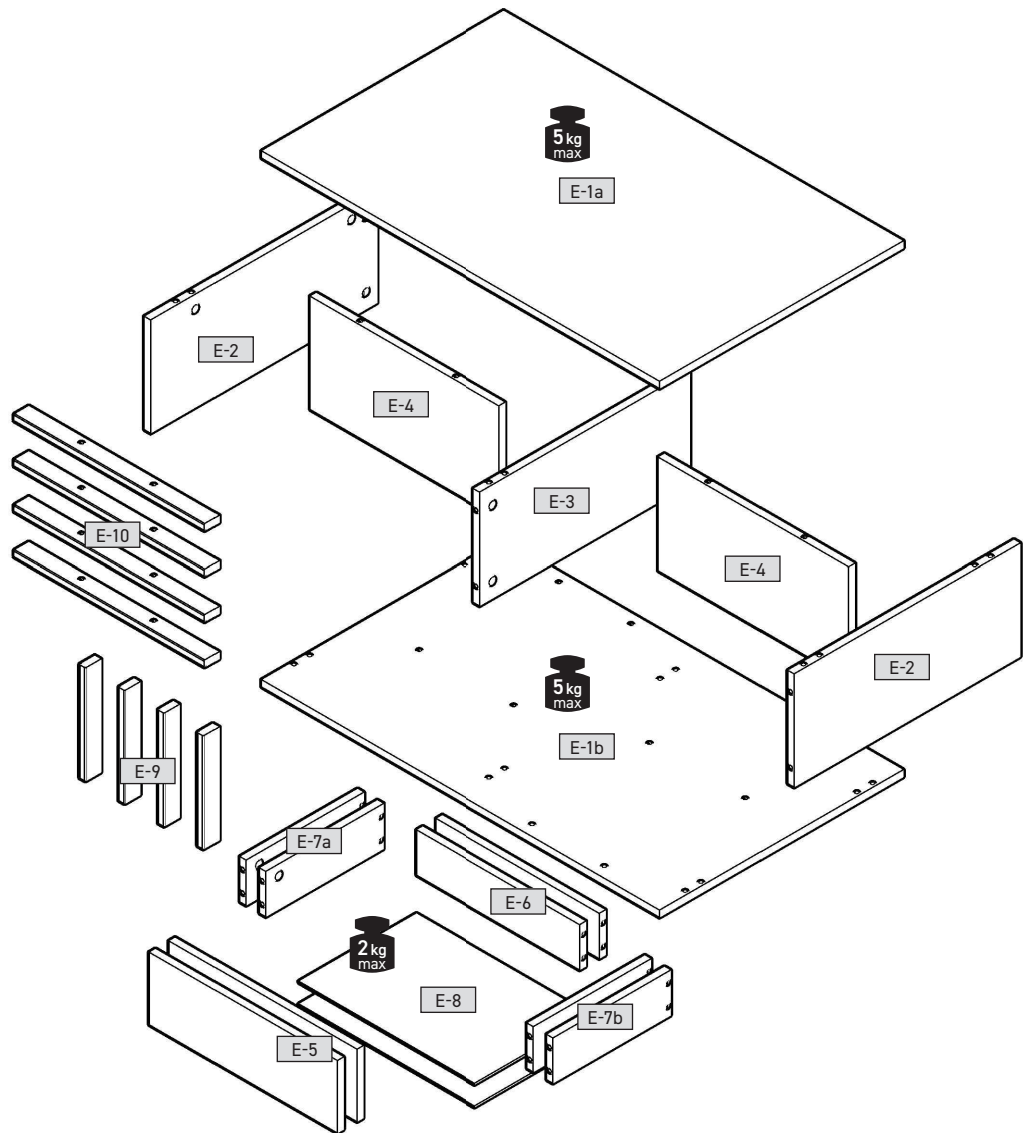
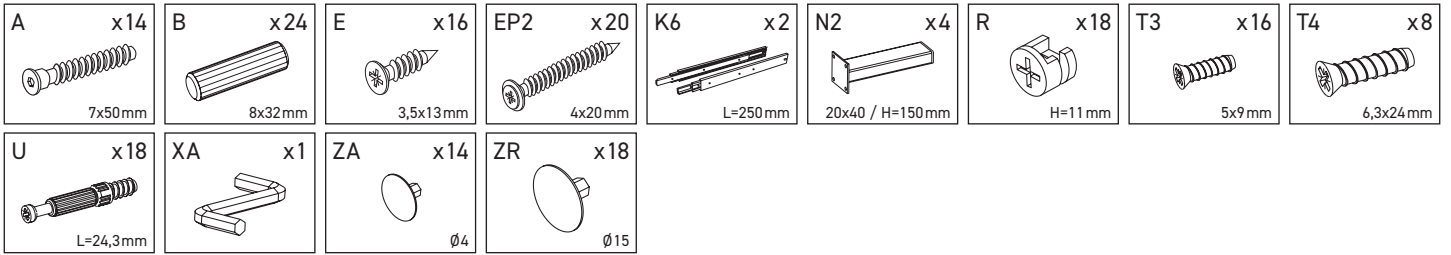
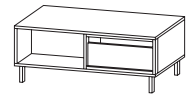


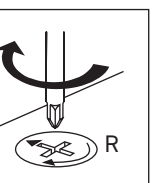
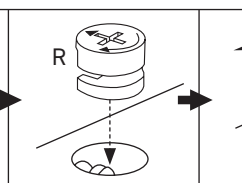
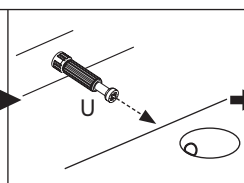
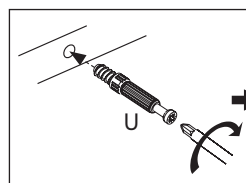
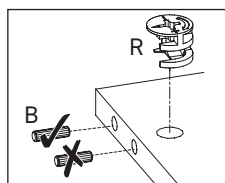
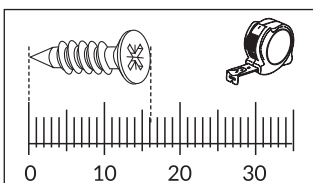
2022-03-30

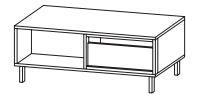




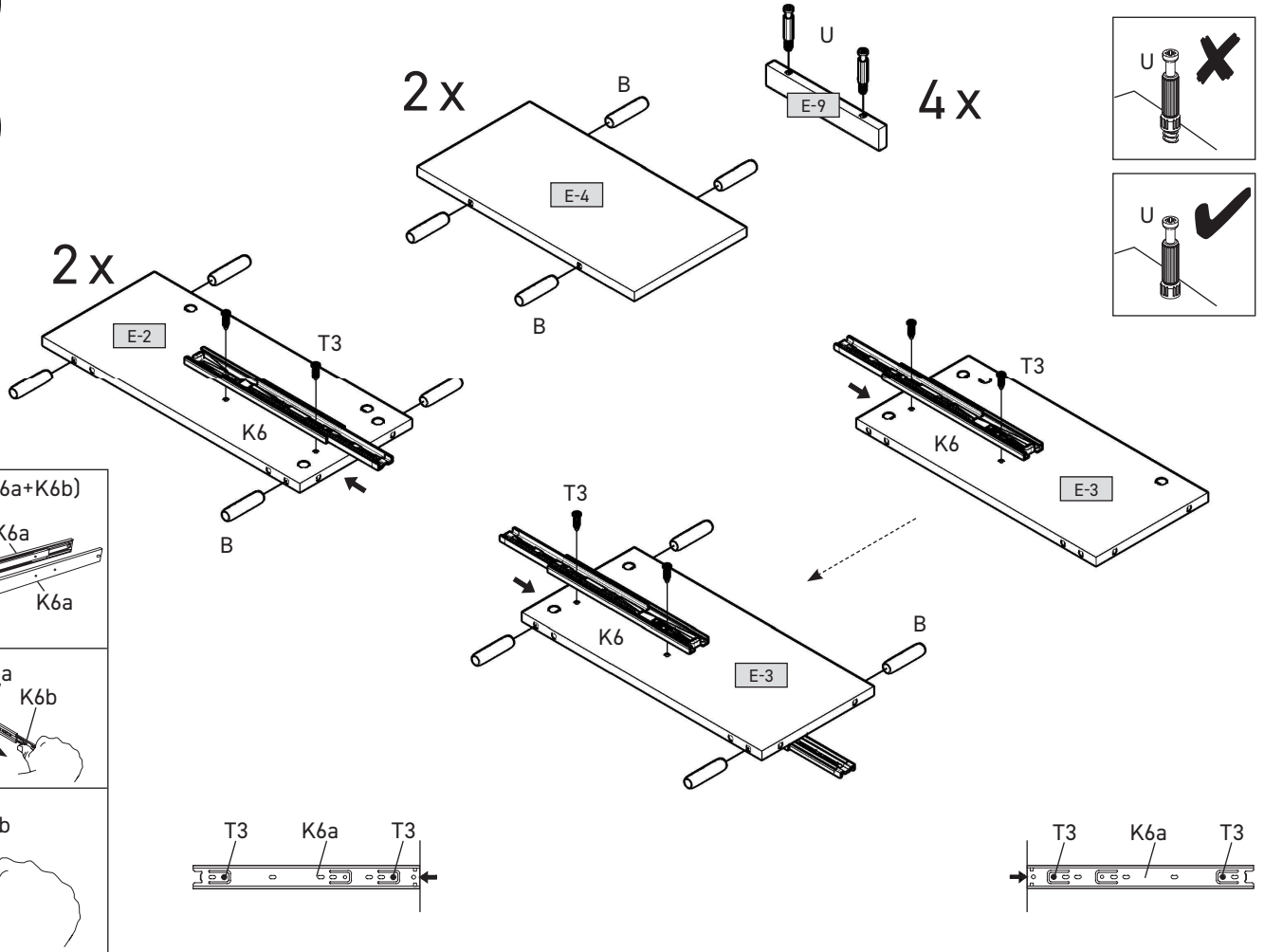
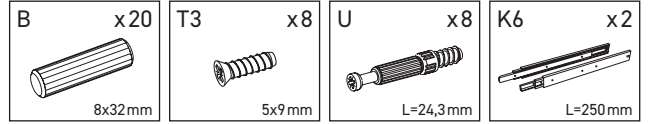


E-1a	1017	620	16	x 1	1/1
E-1b	1017	620	16	x 1	1/1
E-2	250	576	16	x 2	1/1
E-3	250	536	16	x 1	1/1
E-4	484	240	16	x 2	1/1
E-5	478	160	16	x 2	1/1
E-6	429	100	16	x 2	1/1
E-7a	300	100	16	x 2	1/1
E-7b	300	100	16	x 2	1/1
E-8	459	305	3	x 2	1/1
E-9	250	40	16	x 4	1/1
E-10	484	38	16	x 4	1/1

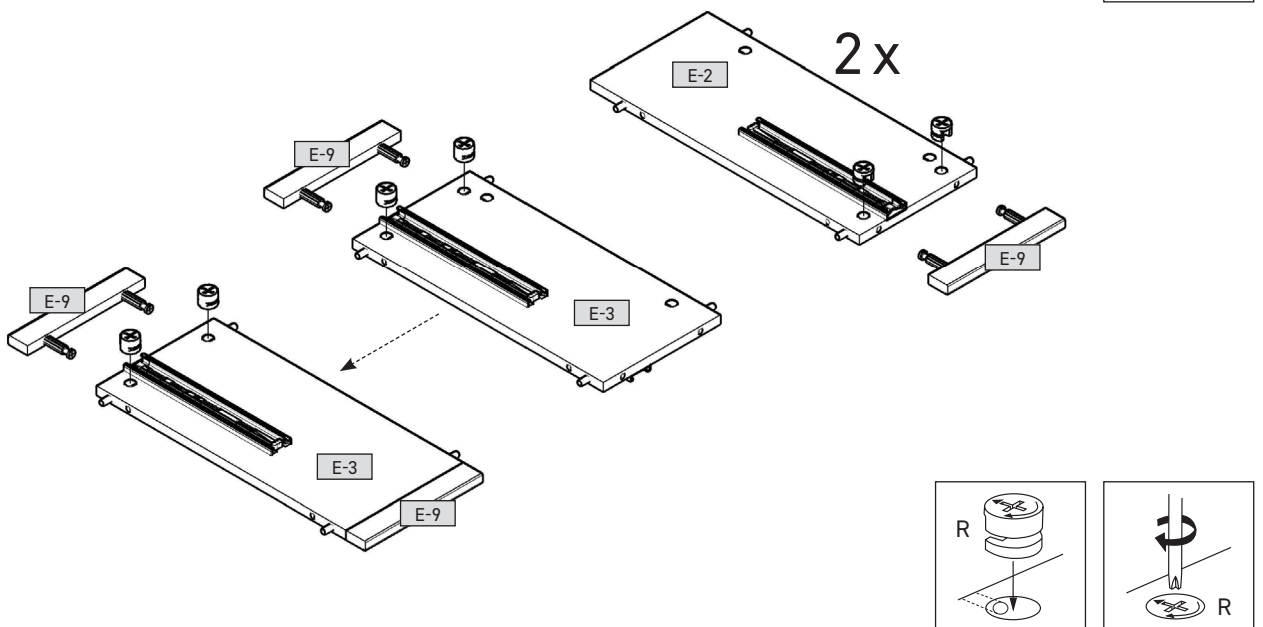
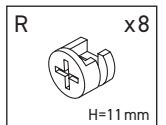


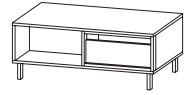


1

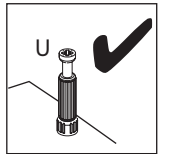
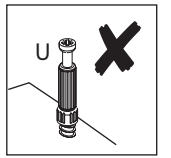
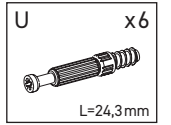
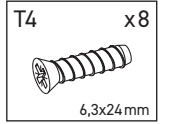
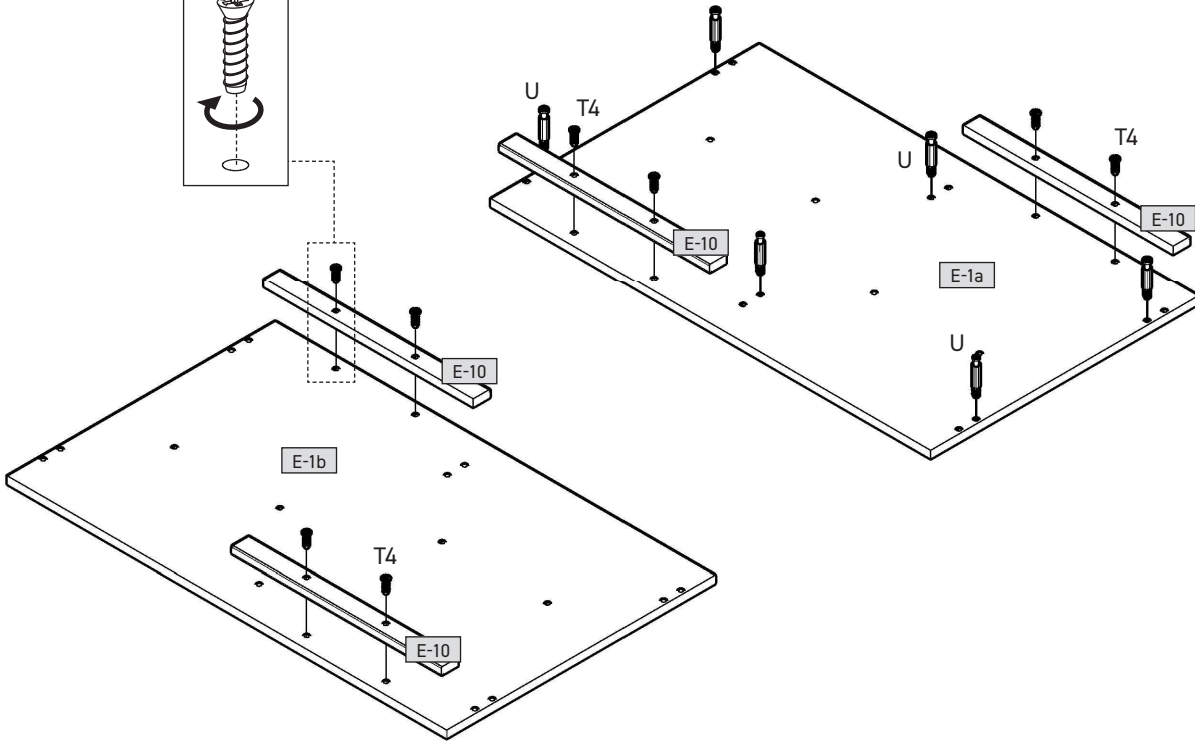
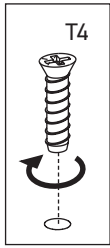


2

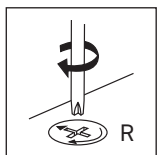
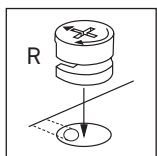
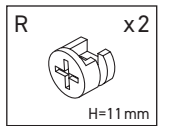
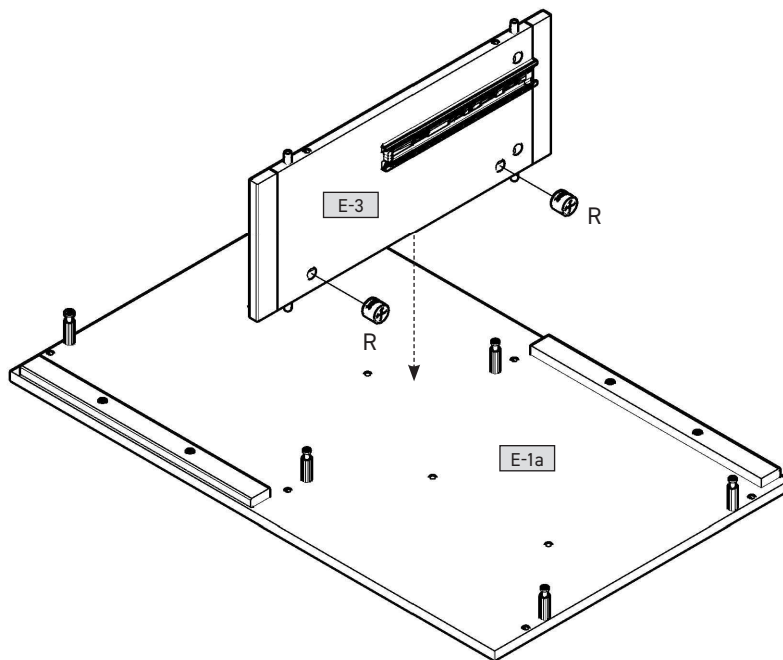


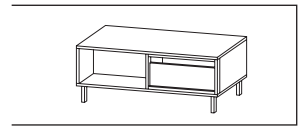


3

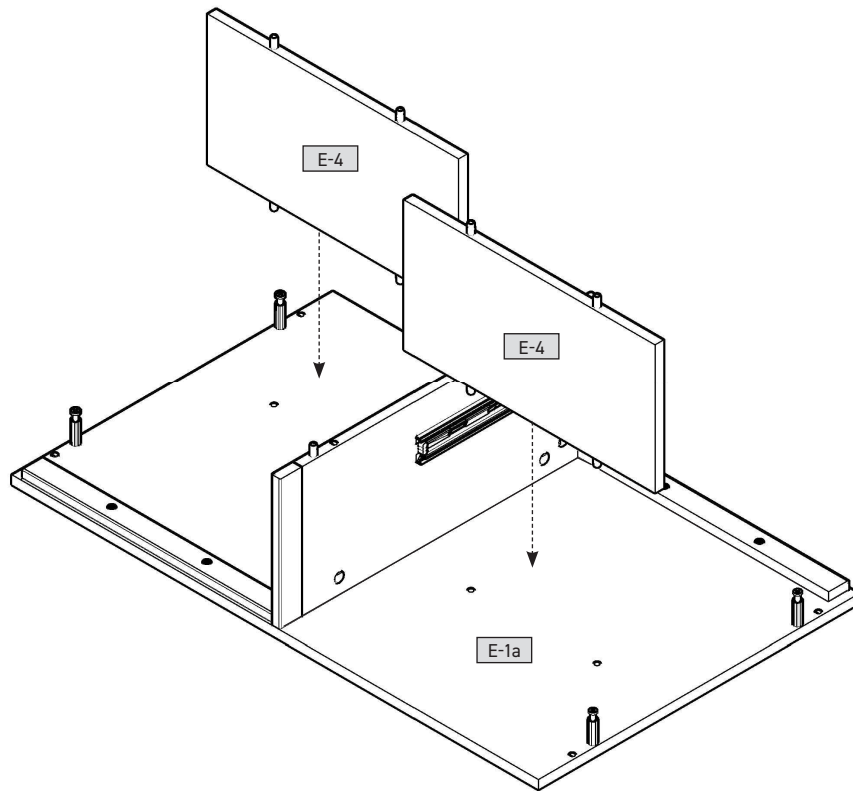


4

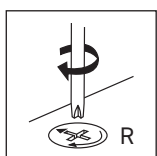
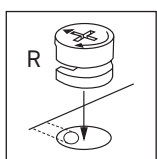
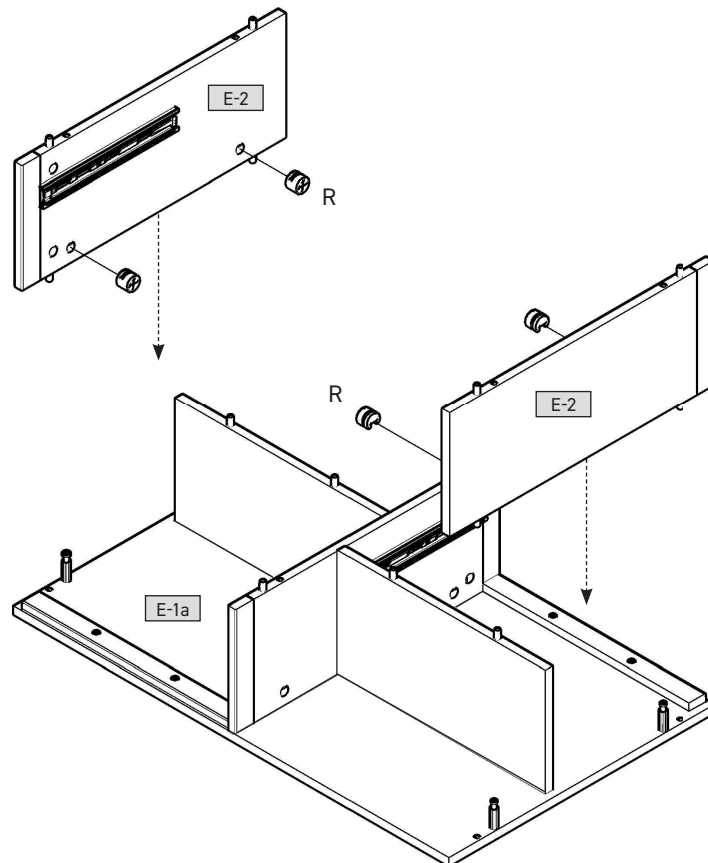
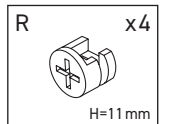


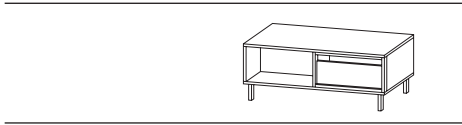


5

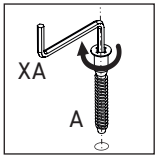
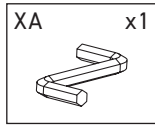
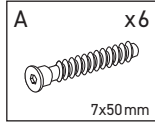
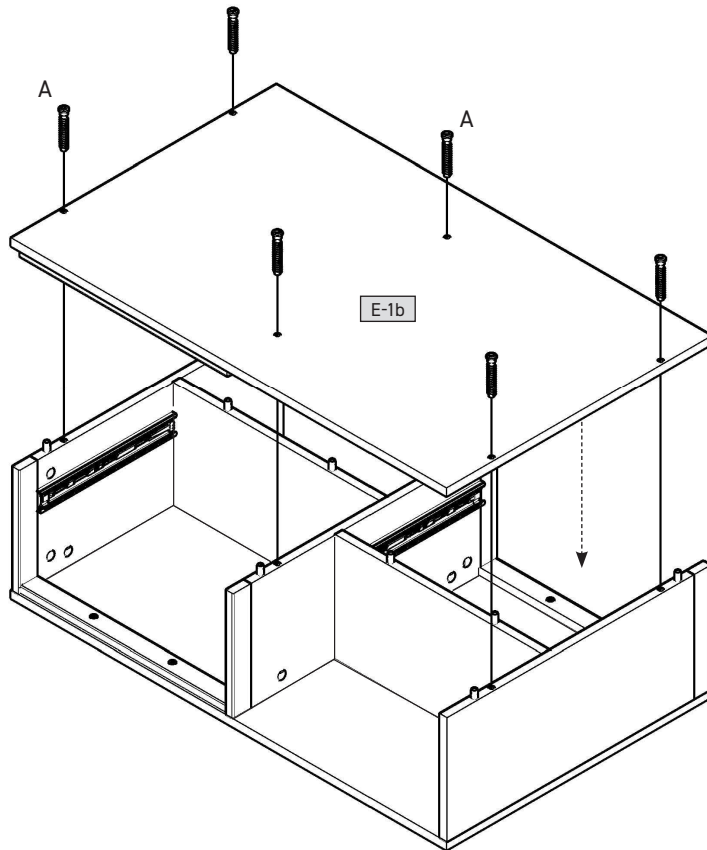


6

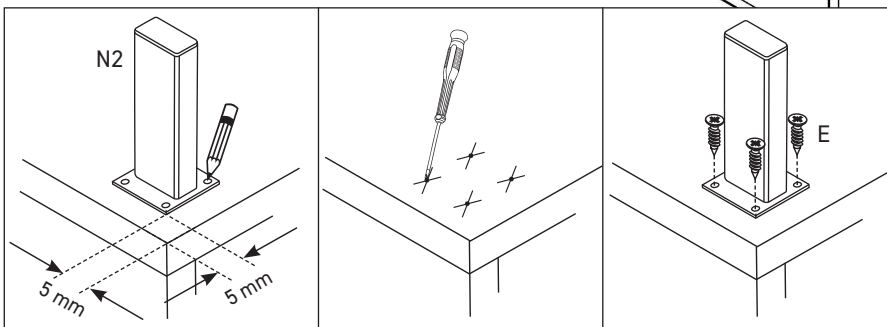
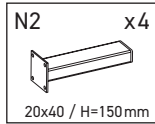
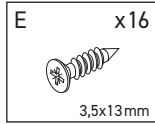
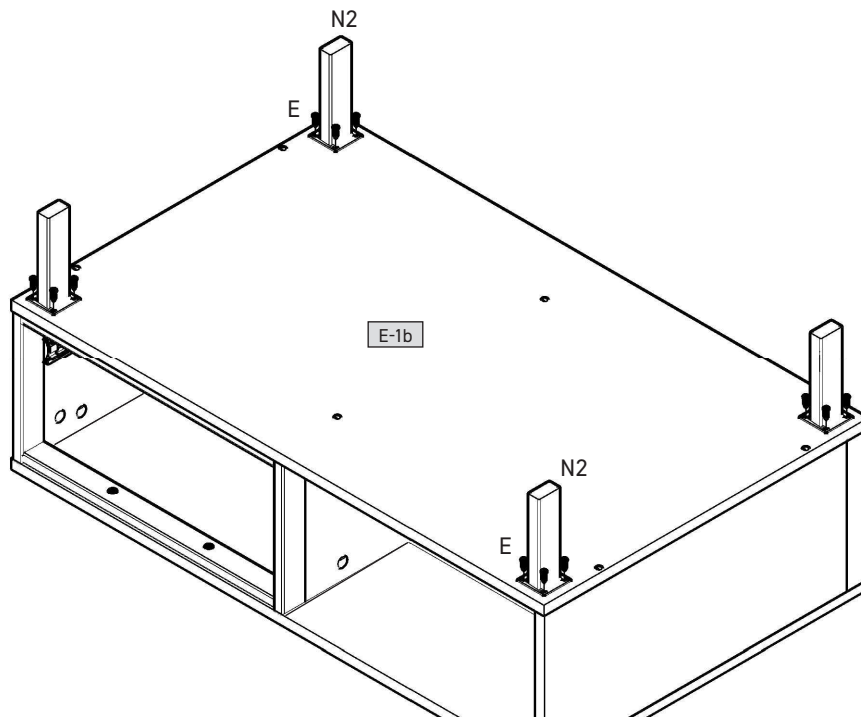
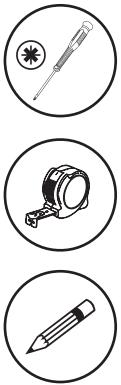


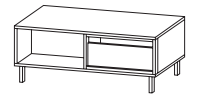


7

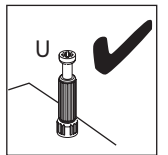
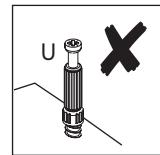
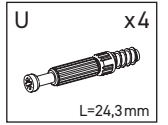
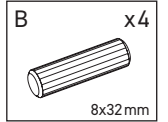
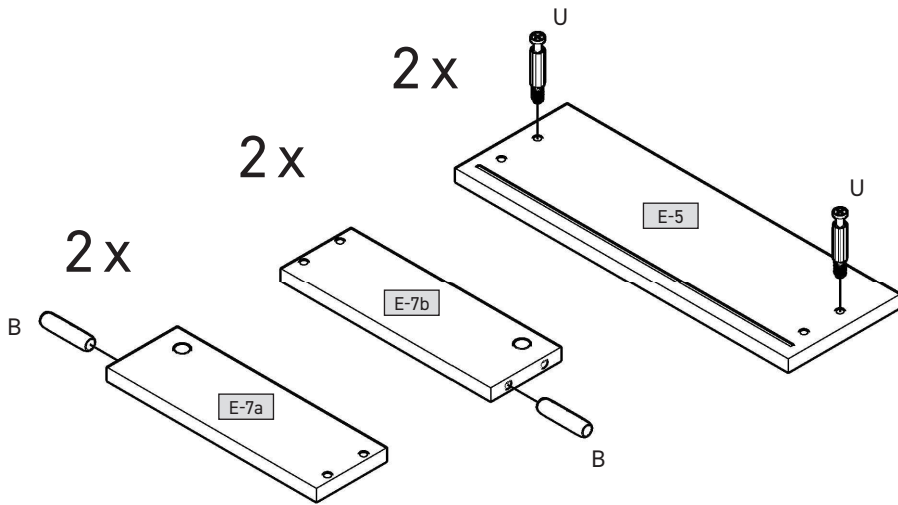


8

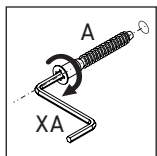
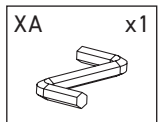
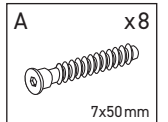
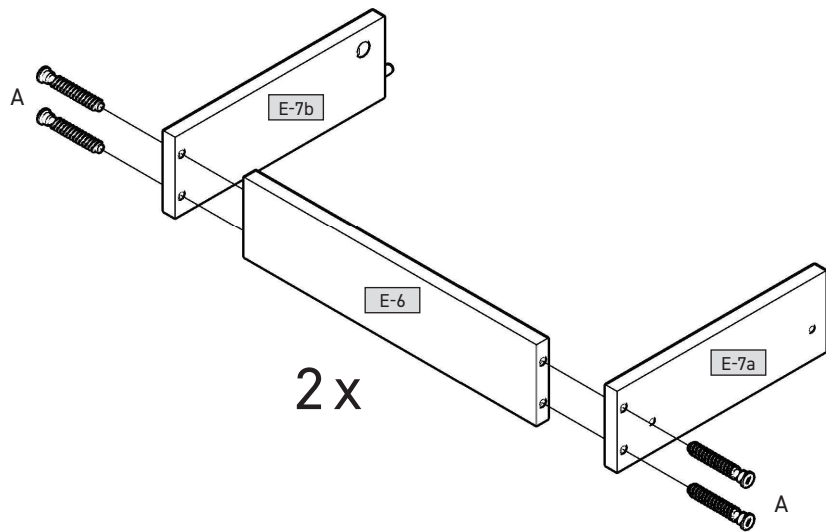




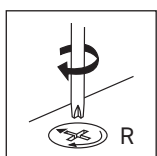
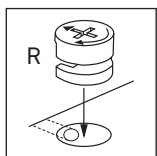
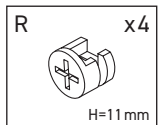
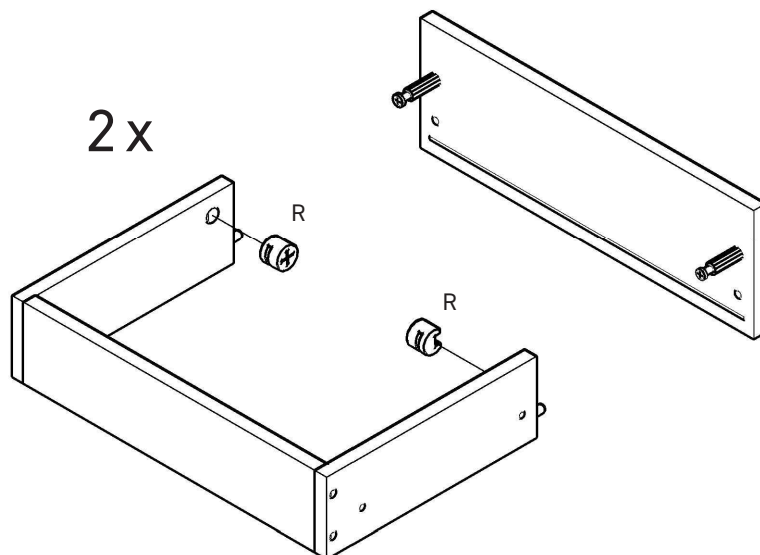
9

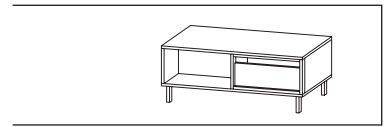


10

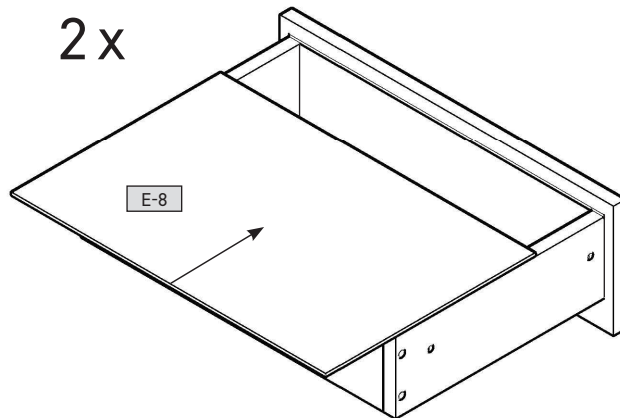


11

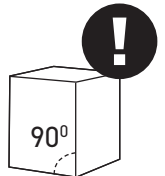
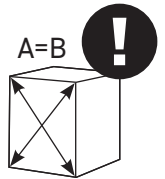
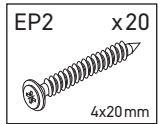
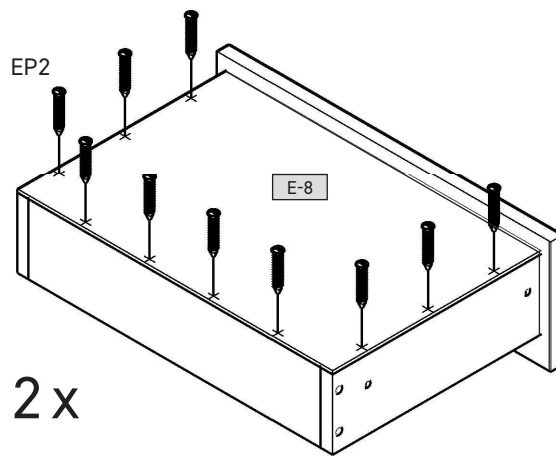
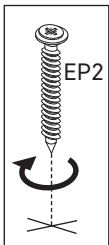
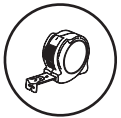




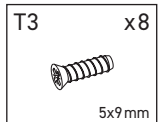
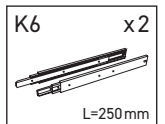
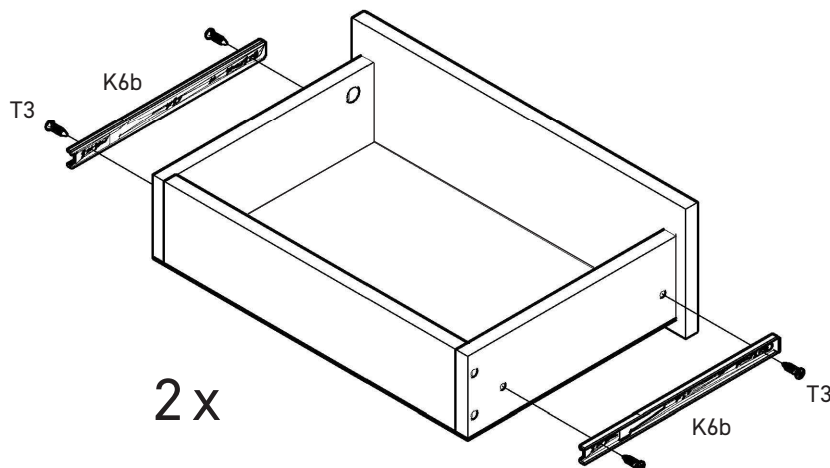
12



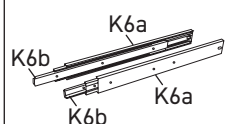
13



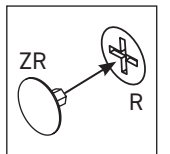
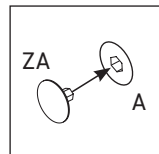
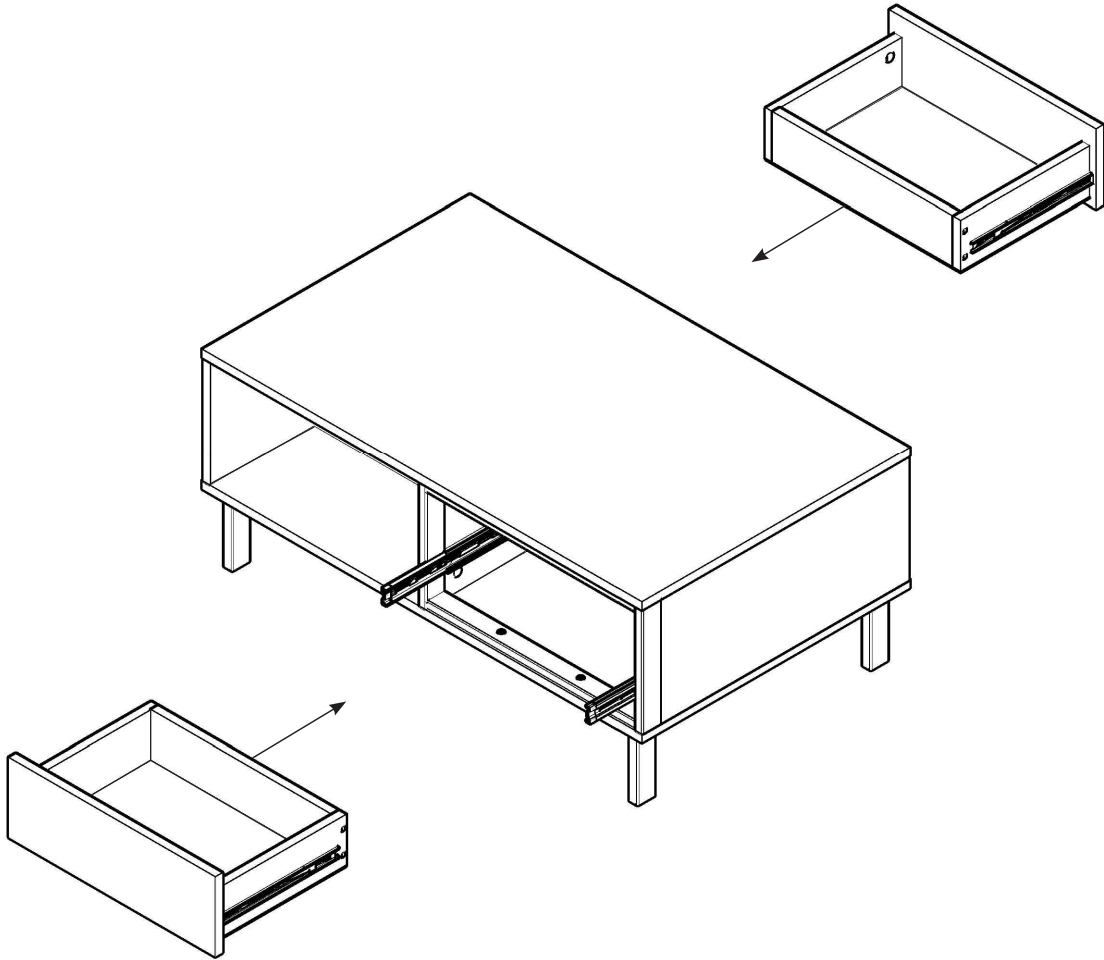
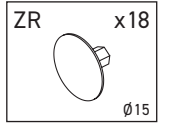
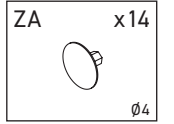
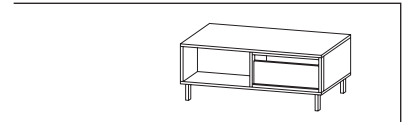
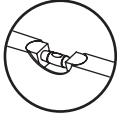
14

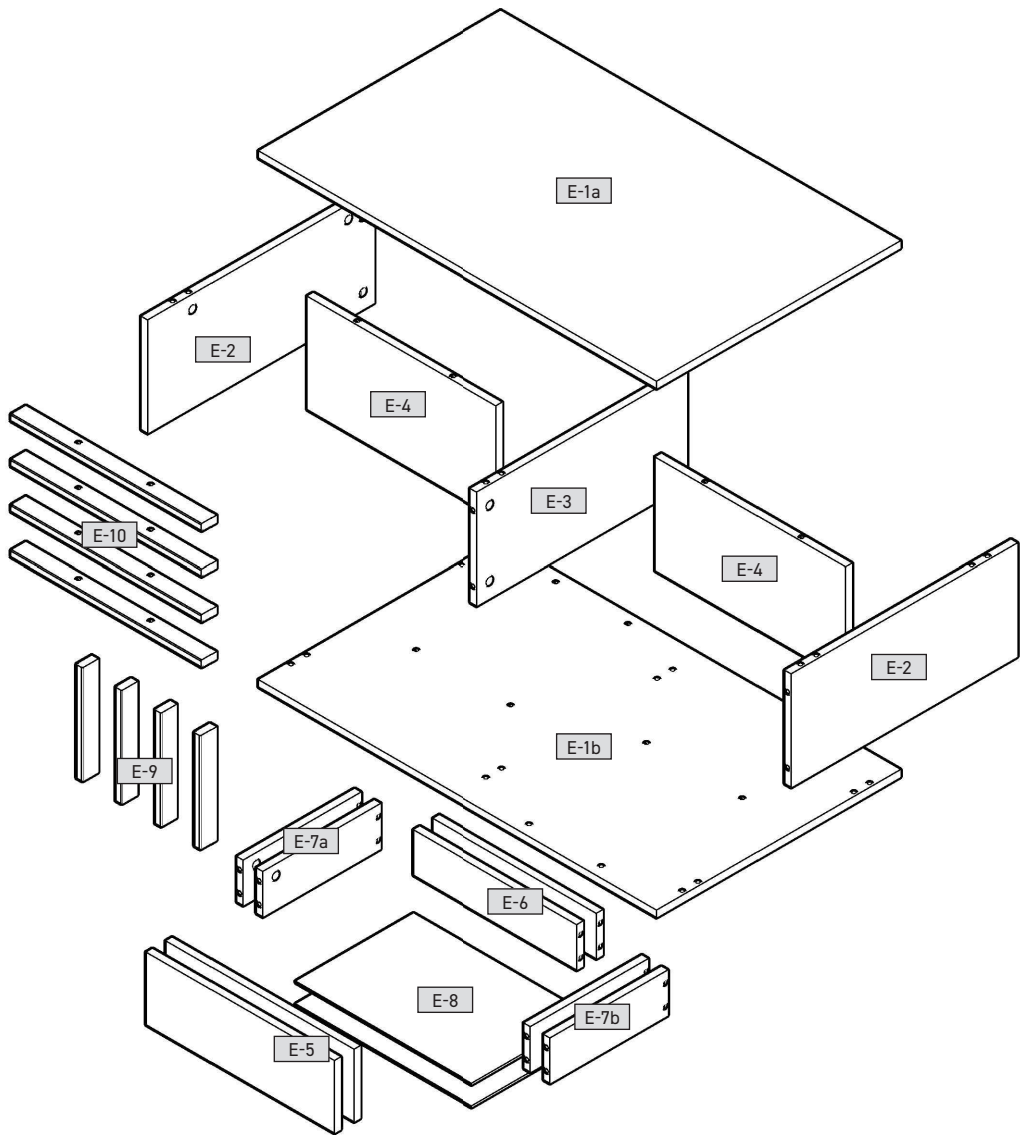
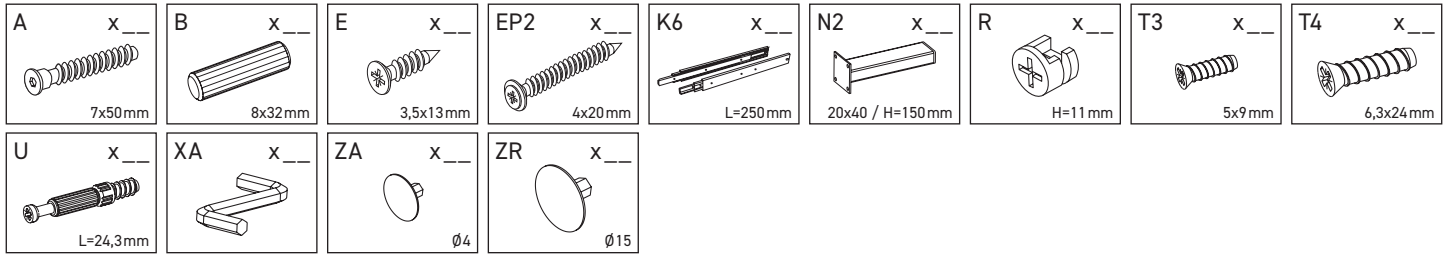


K6 = 2x (K6a + K6b)

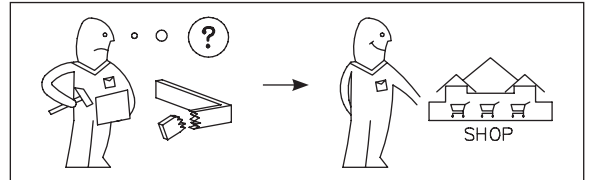
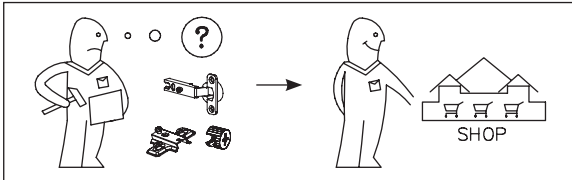
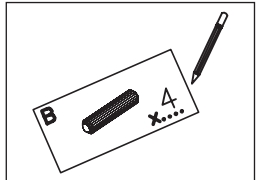


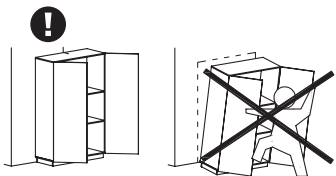
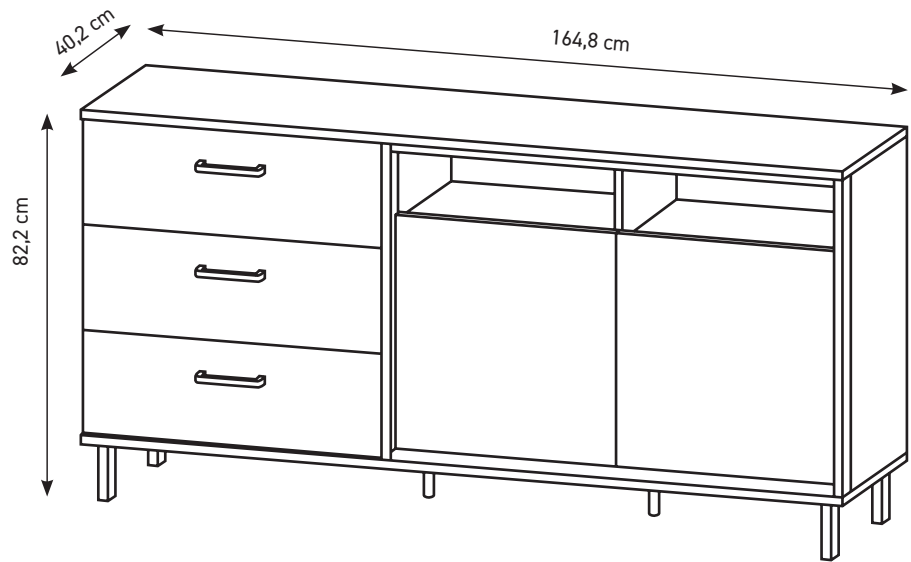
15



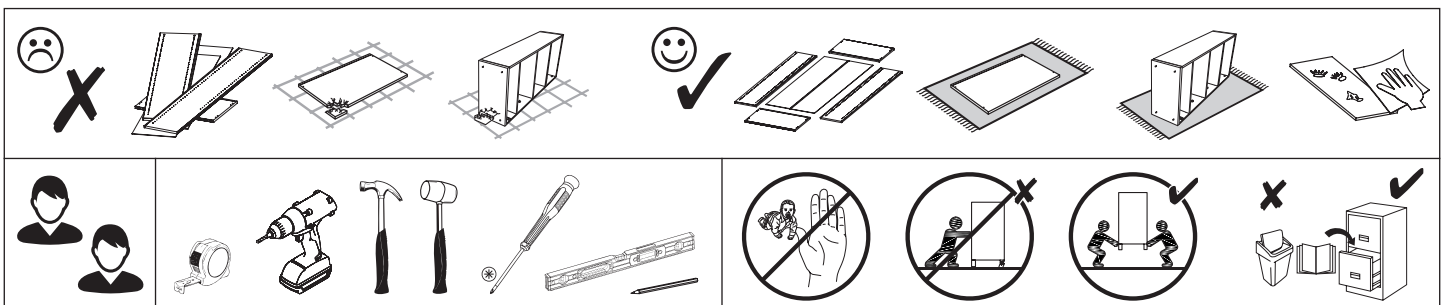


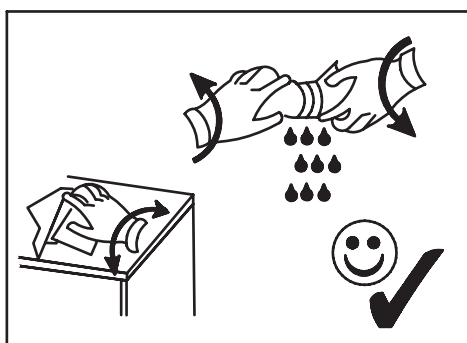
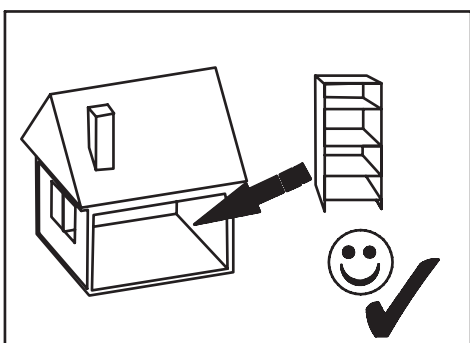
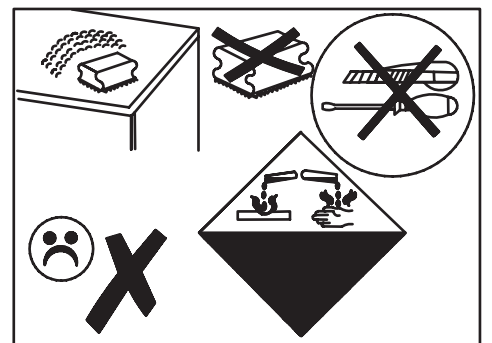
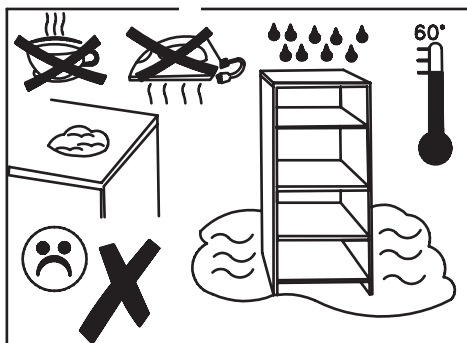
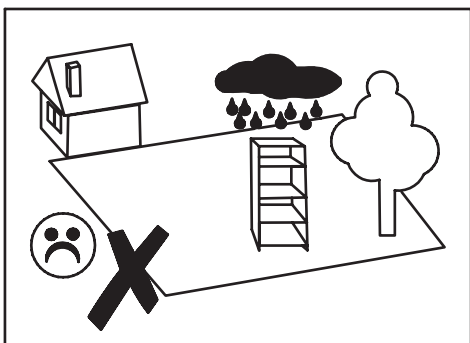
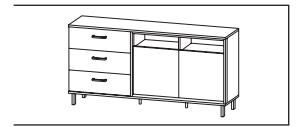
E-1a	1017	620	16	x 1	1/1
E-1b	1017	620	16	x 1	1/1
E-2	250	576	16	x 2	1/1
E-3	250	536	16	x 1	1/1
E-4	484	240	16	x 2	1/1
E-5	478	160	16	x 2	1/1
E-6	429	100	16	x 2	1/1
E-7a	300	100	16	x 2	1/1
E-7b	300	100	16	x 2	1/1
E-8	459	305	3	x 2	1/1
E-9	250	40	16	x 4	1/1
E-10	484	38	16	x 4	1/1





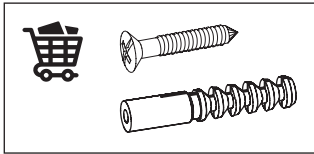
2022-03-30



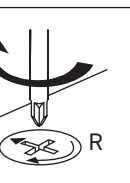
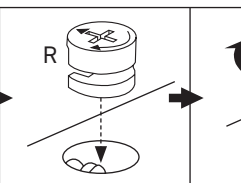
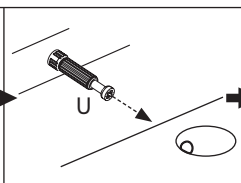
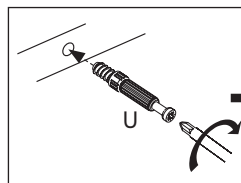
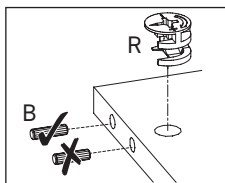
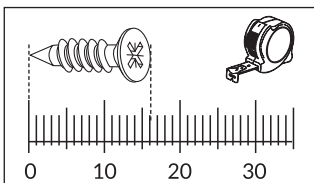
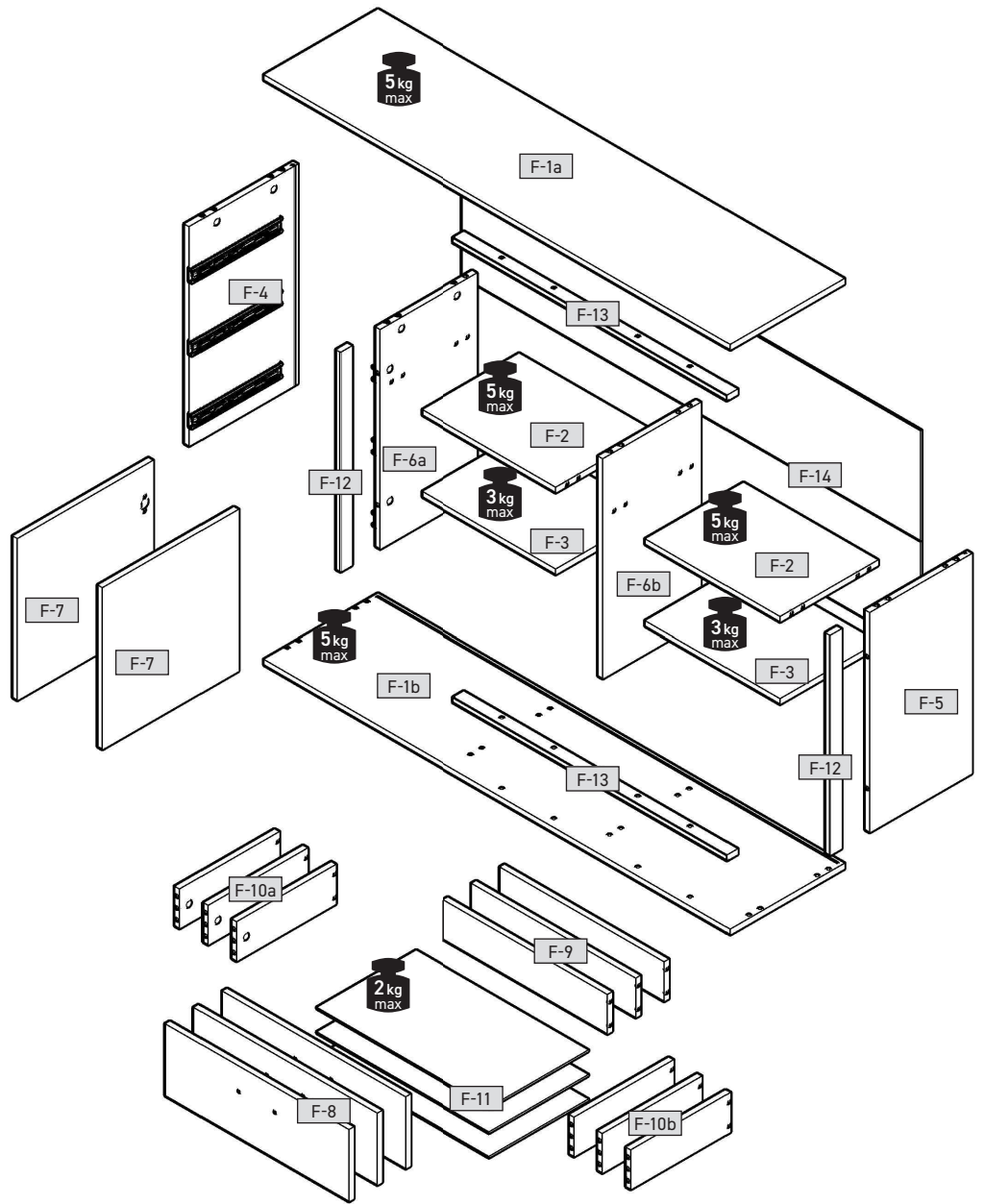




A x20 7x50mm	B x32 8x32mm	B3 x2 8x50mm	C3+D x4 W	E x33 3,5x13mm	E2 x14 3x20mm	EM2 x6 4x25mm	EP2 x36 4x20mm	H1 x10
K6 x3 L=350mm	M1 x3 UU52-128	N x2 Ø18 / H=120mm	N2 x4 20x40 / H=120mm	P x8 	R x26 H=11mm	T3 x24 5x9mm	T4 x8 6,3x24mm	U x22 L=24,3mm
U3 x2 L=69mm	W1 x1 	XA x1 	ZA x20 Ø4	ZR x26 Ø15				

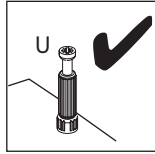
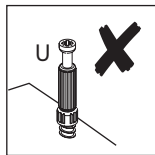
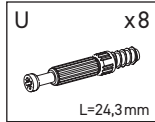
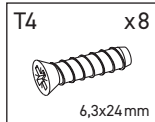
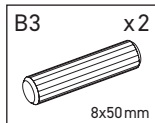
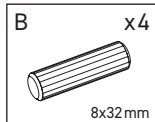
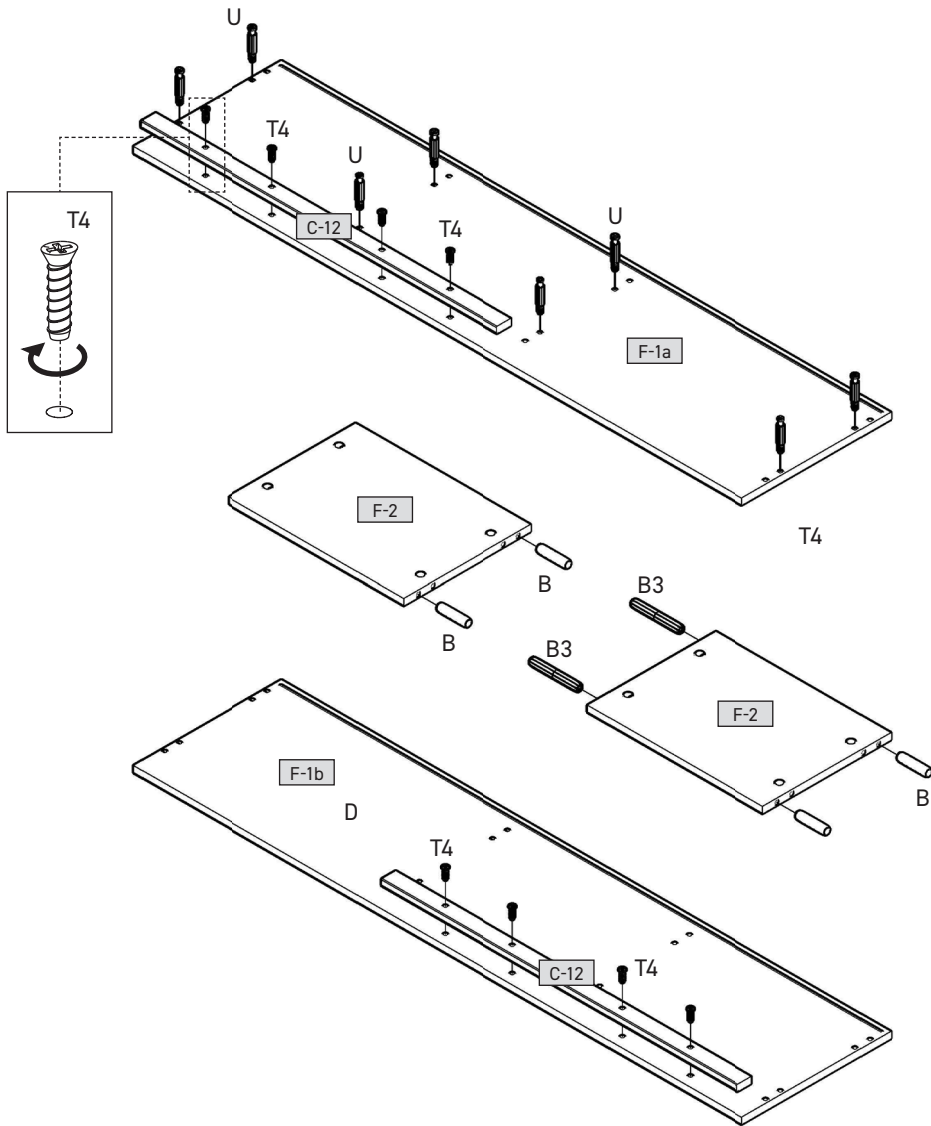


F-1a	1648	402	16	x 1	1/2
F-1b	1648	402	16	x 1	1/2
F-2	474	345	16	x 2	1/2
F-3	474	330	16	x 2	1/2
F-4	670	382	16	x 1	1/2
F-5	670	360	16	x 1	2/2
F-6a	670	345	16	x 1	2/2
F-6b	670	345	16	x 1	2/2
F-7	478	492	16	x 2	1/2
F-8	646	219	16	x 3	2/2
F-9	579	120	16	x 3	2/2
F-10a	350	120	16	x 3	1/2
F-10b	350	120	16	x 3	1/2
F-11	609	356	3	x 3	2/2
F-12	670	40	16	x 2	1/2
F-13	964	38	16	x 2	1/2
F-14	684	1629	3	x 1	1/2

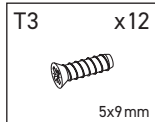
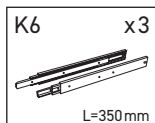
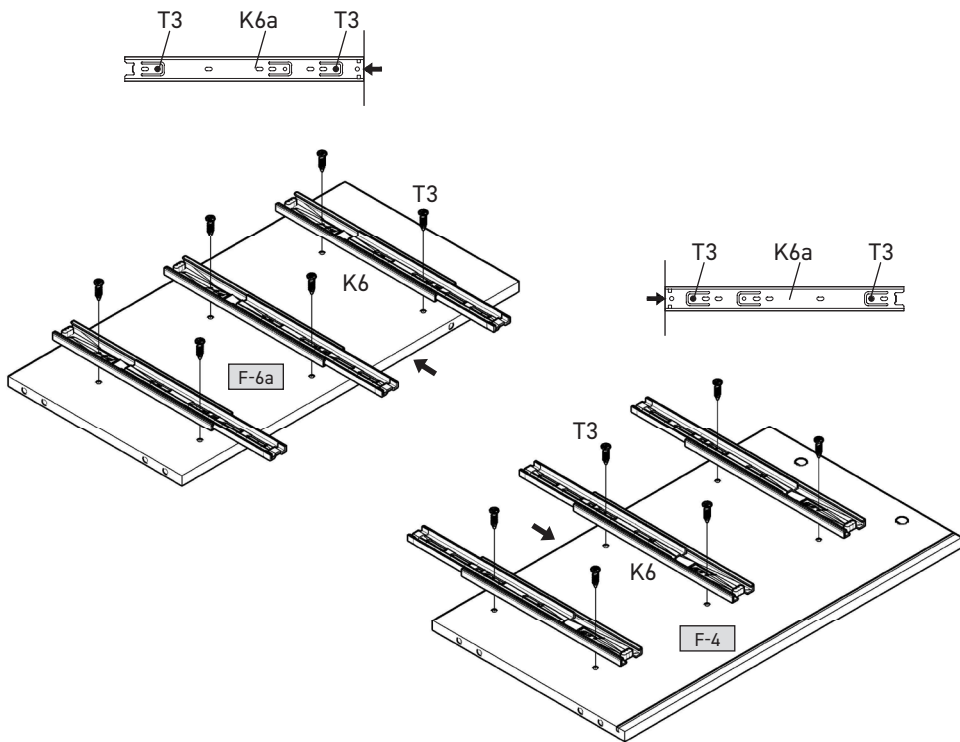
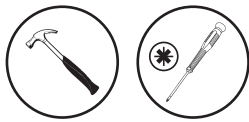




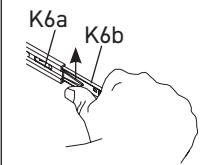
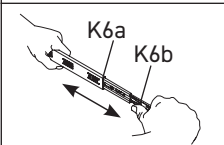
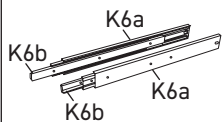
1



2

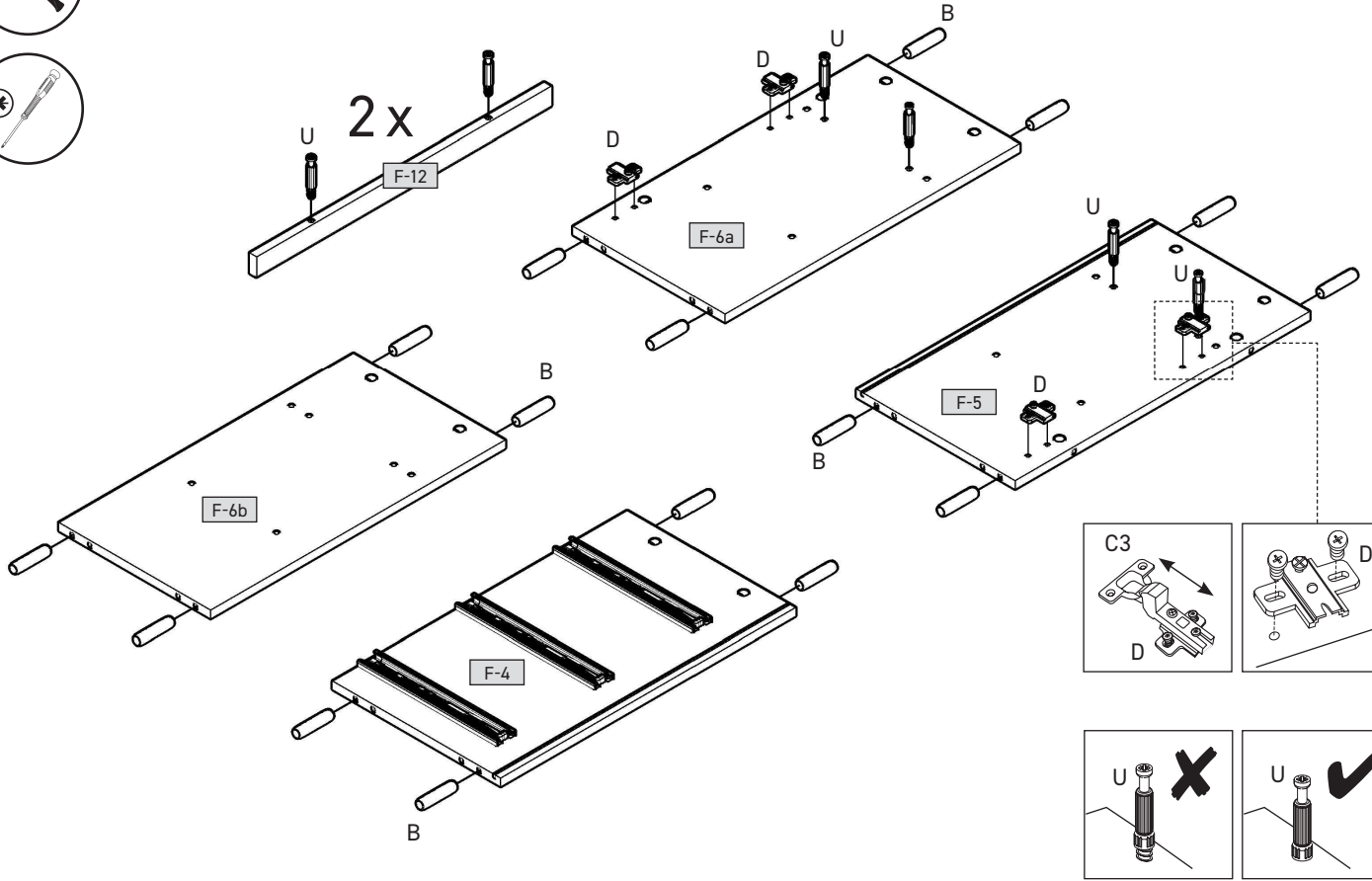
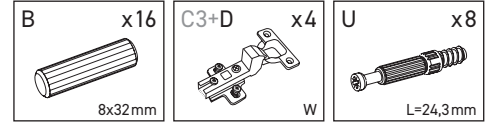


K6 = 2x (K6a + K6b)

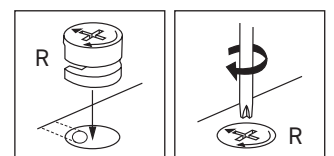
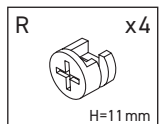
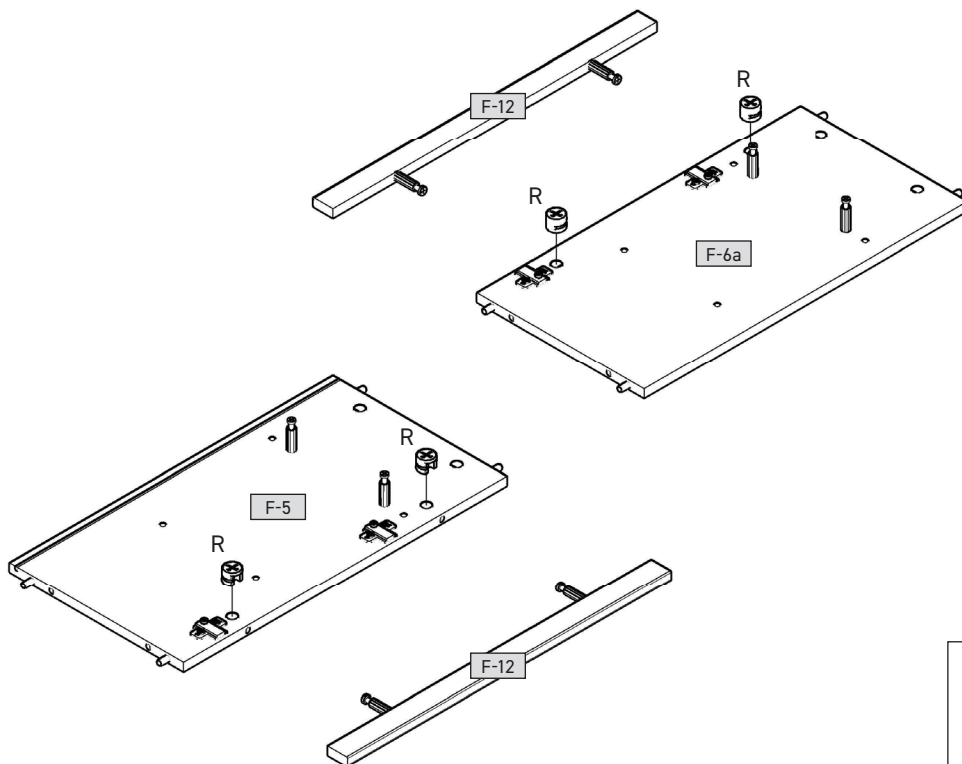


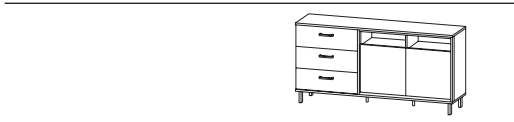


3

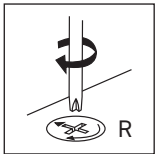
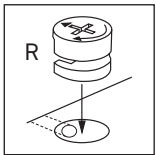
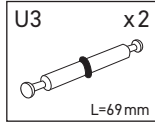
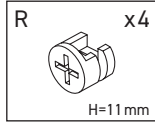
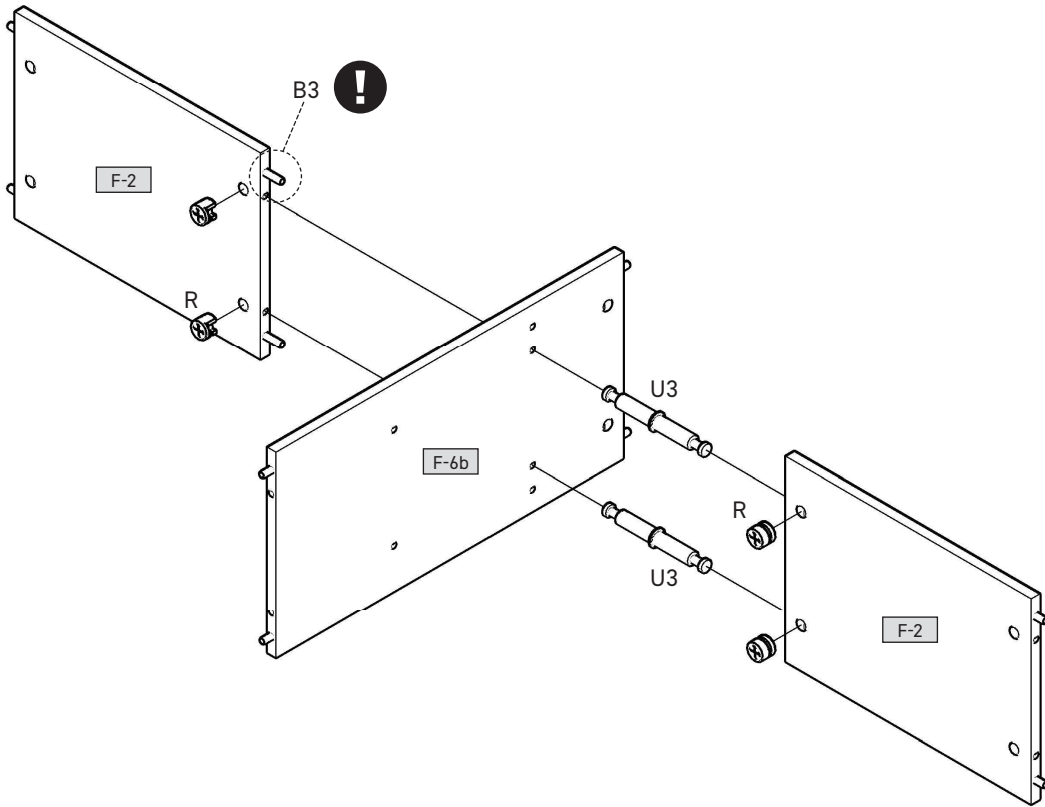


4

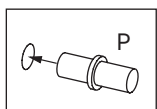
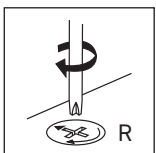
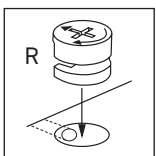
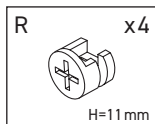
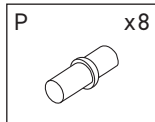
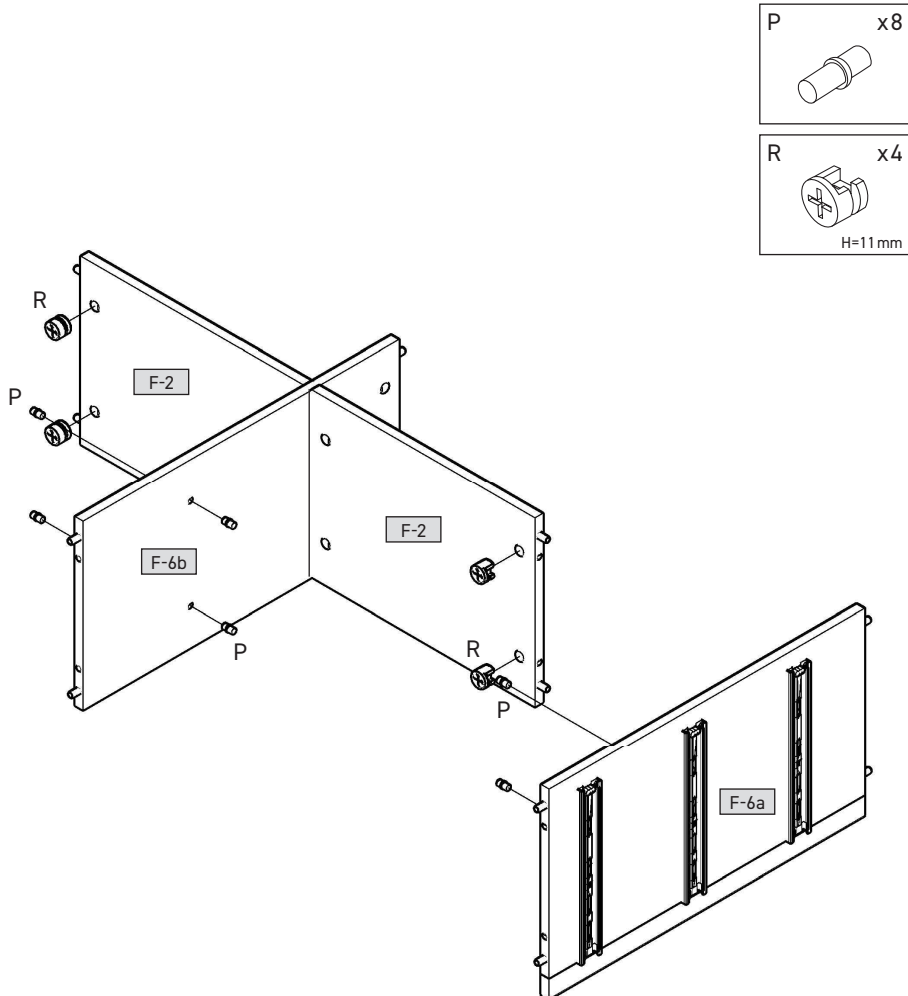
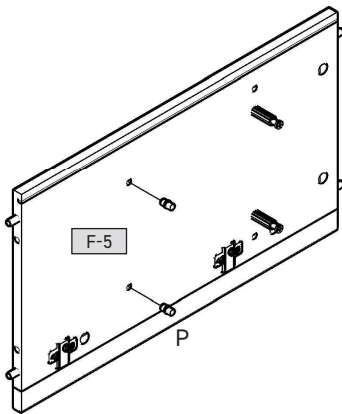




5

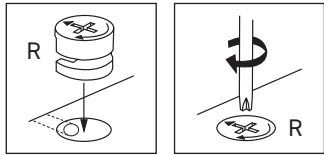
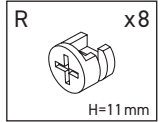
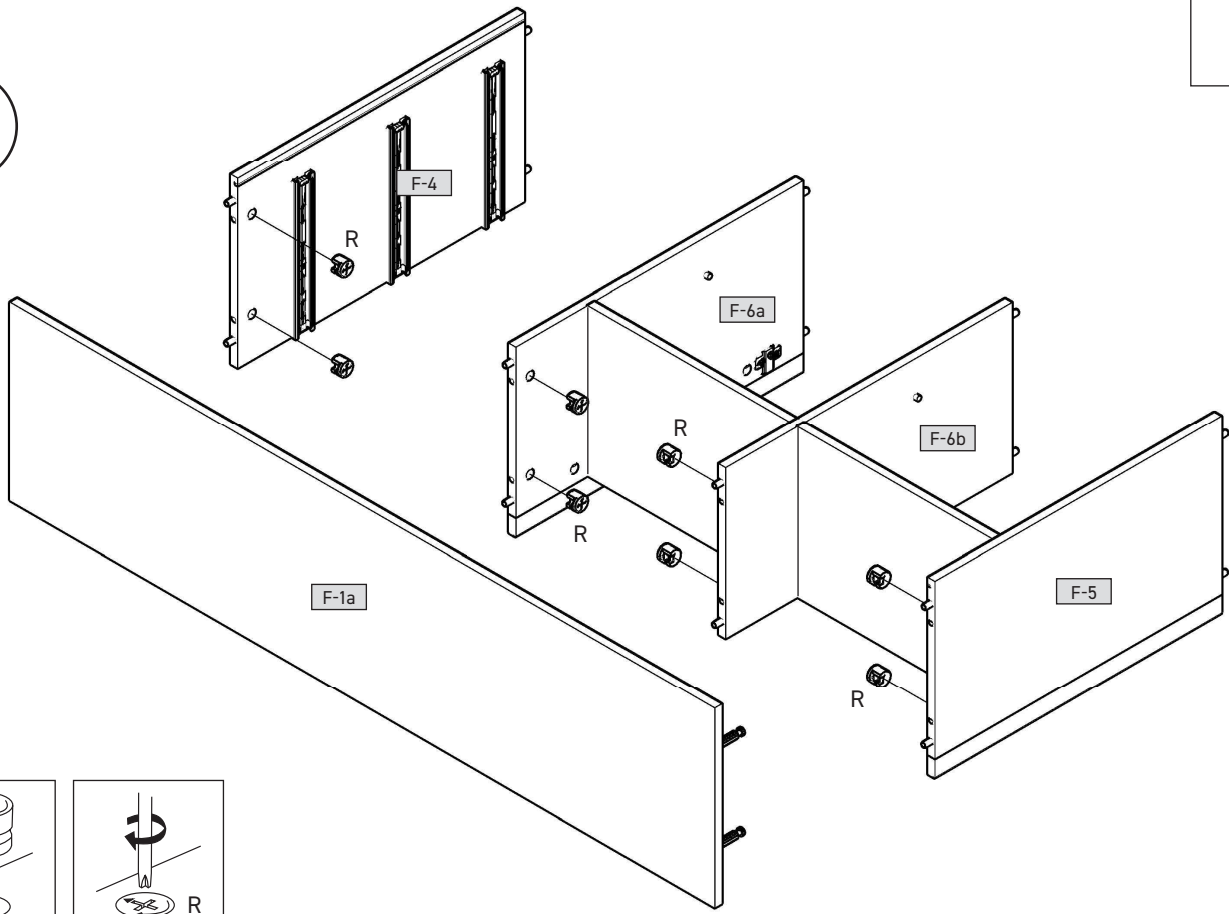


6

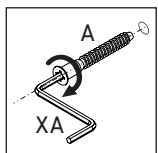
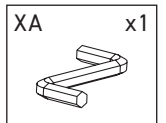
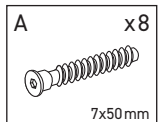
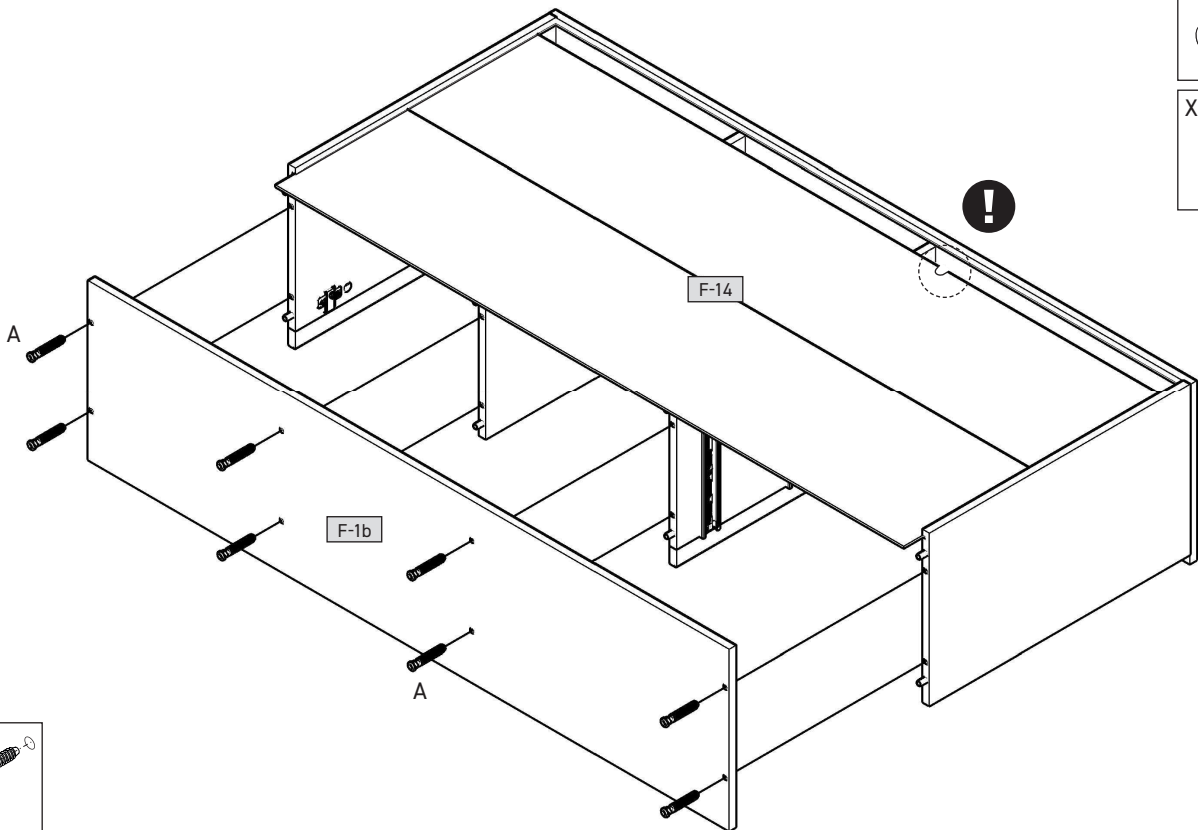


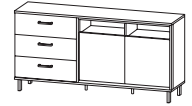


7

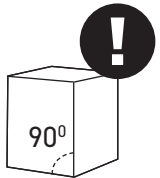
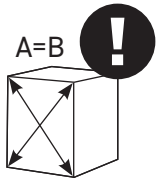
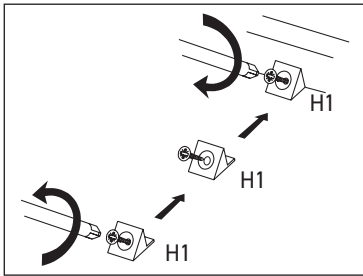
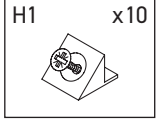
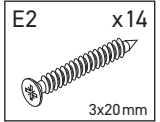
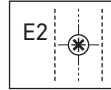
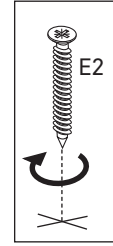
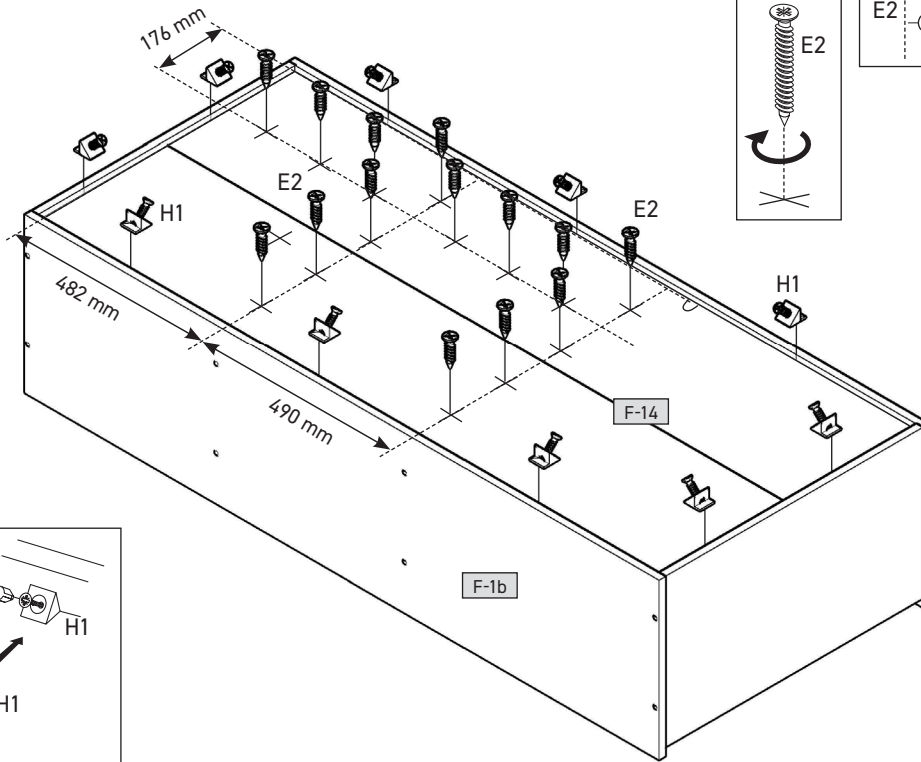
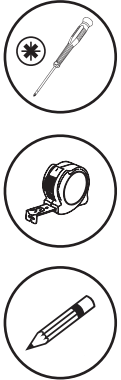


8

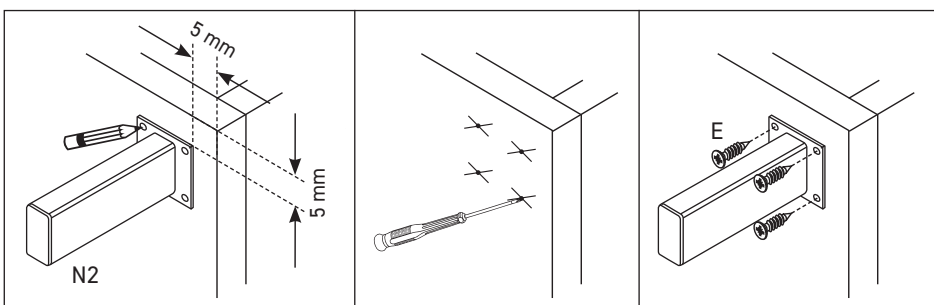
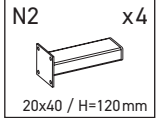
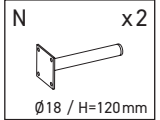
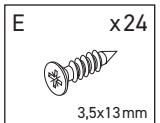
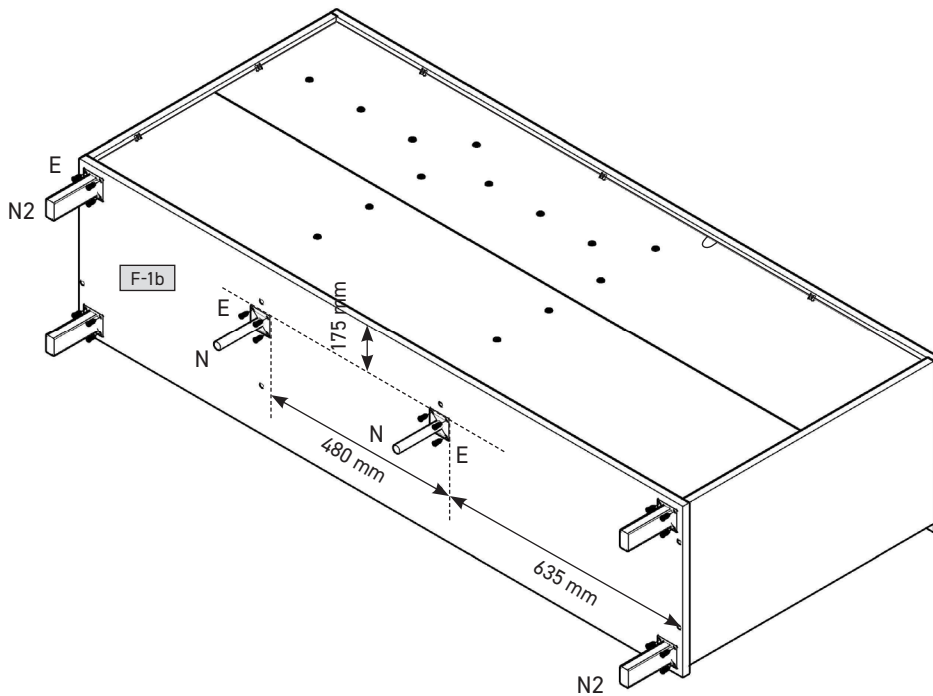




9

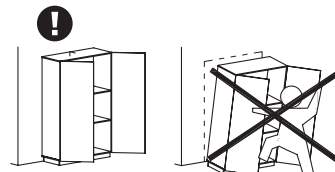
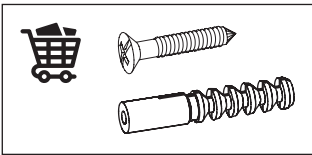
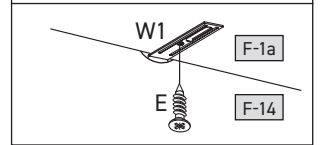
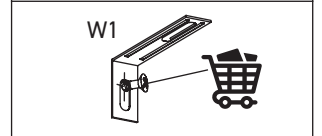
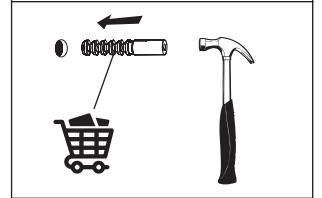
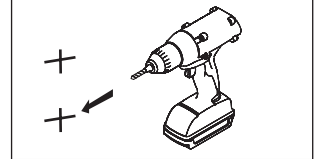
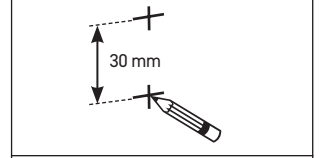
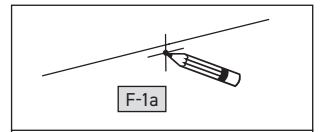
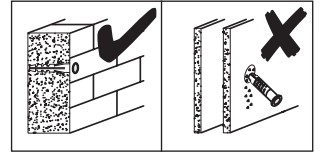
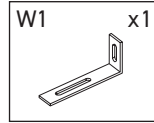
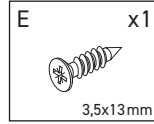
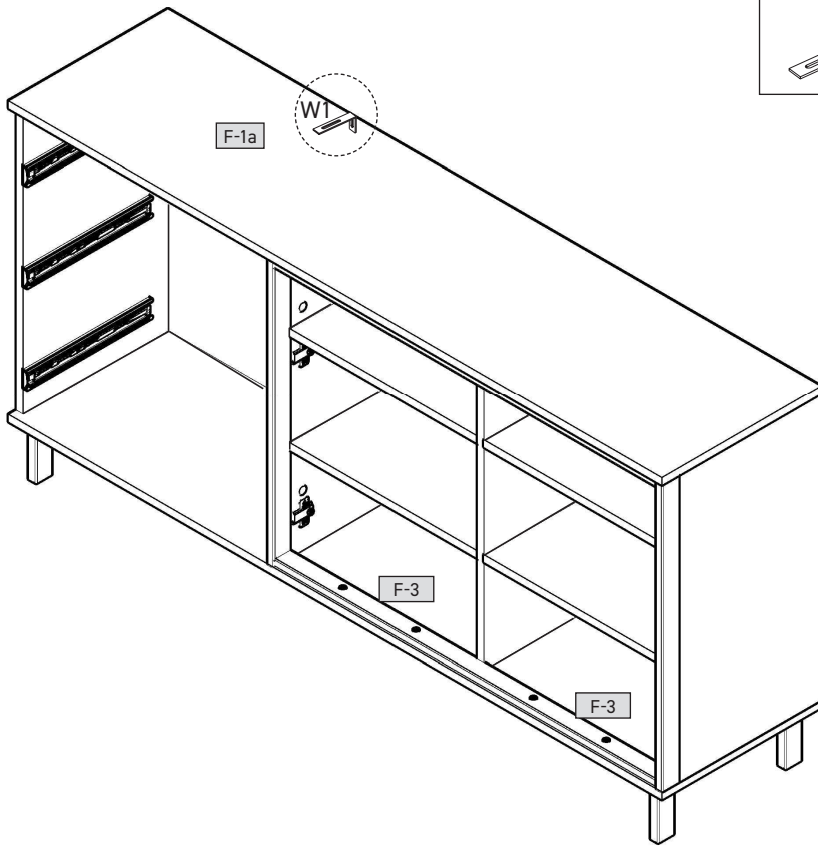


10

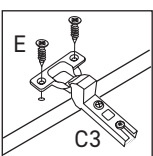
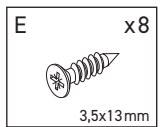
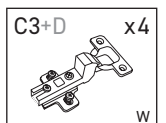
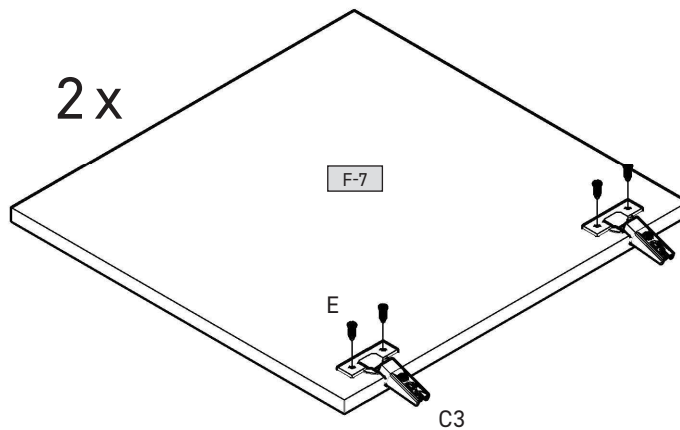




11

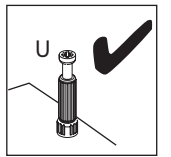
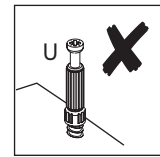
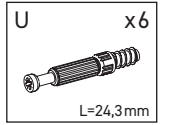
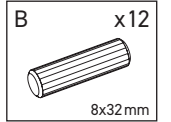
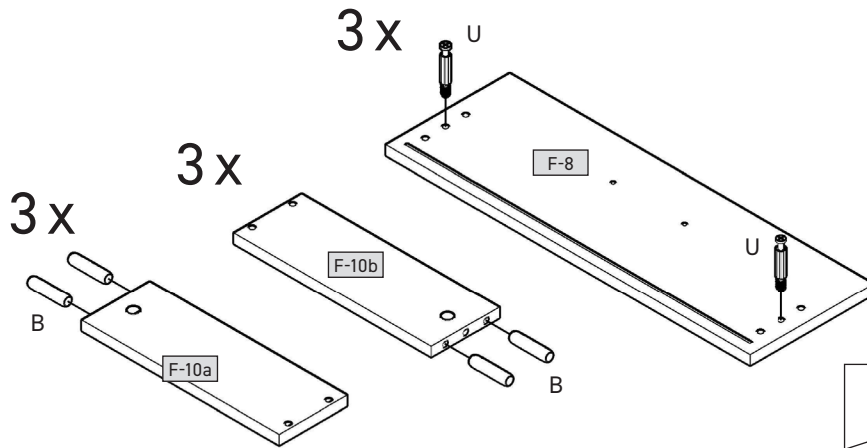


12

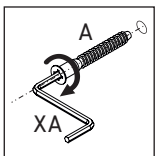
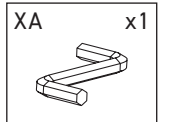
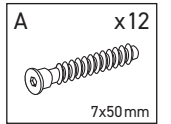
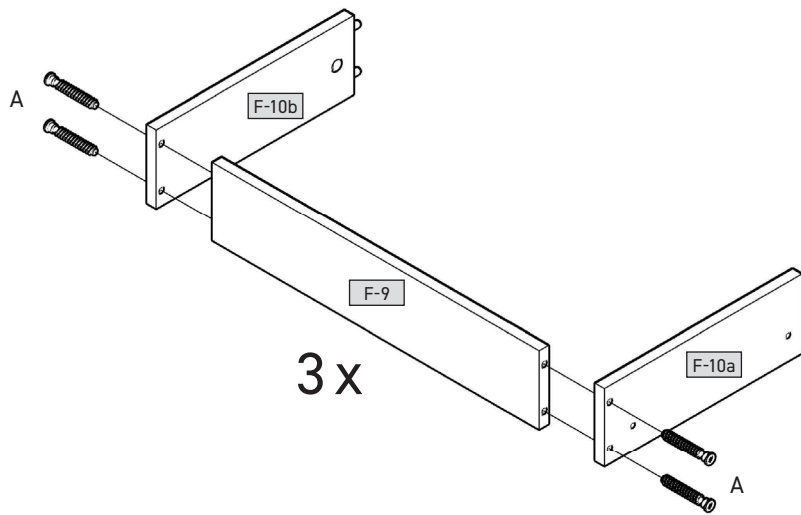




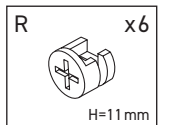
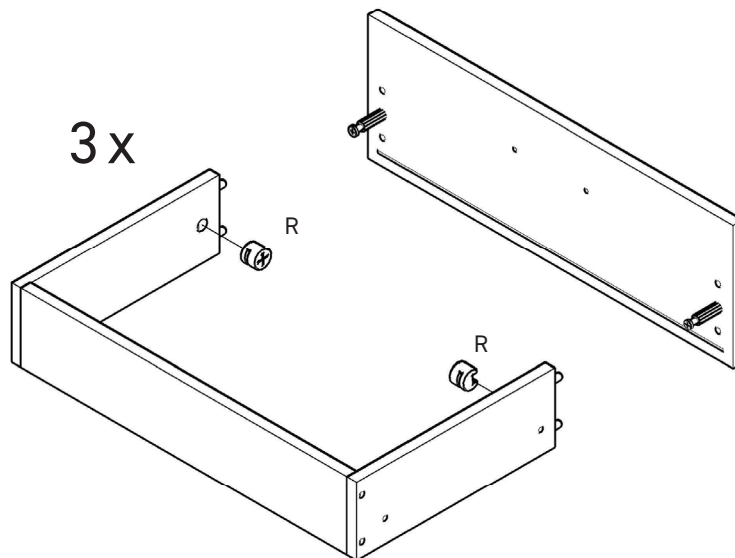
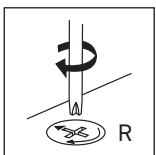
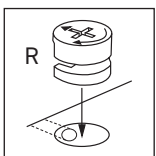
13



14

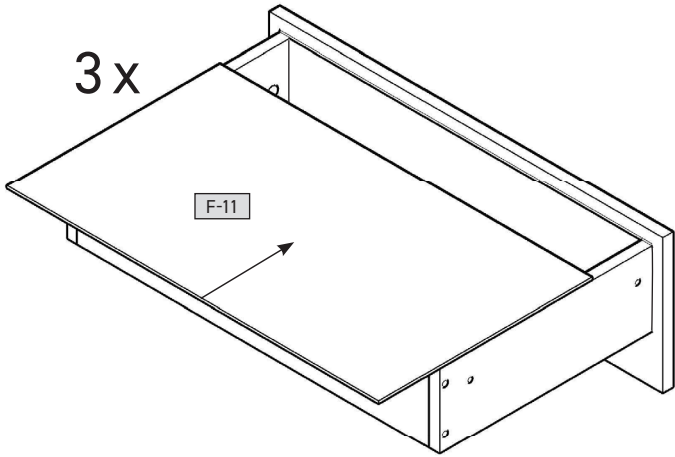


15

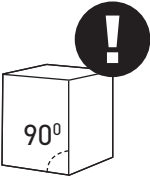
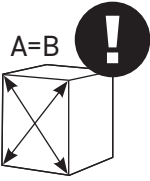
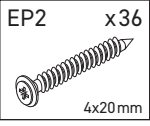
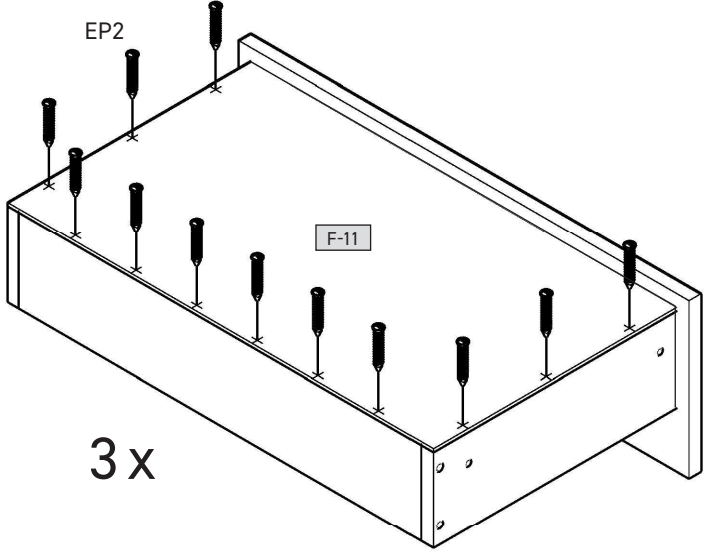




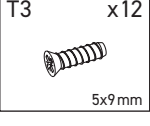
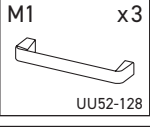
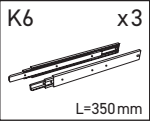
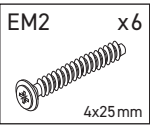
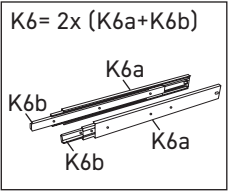
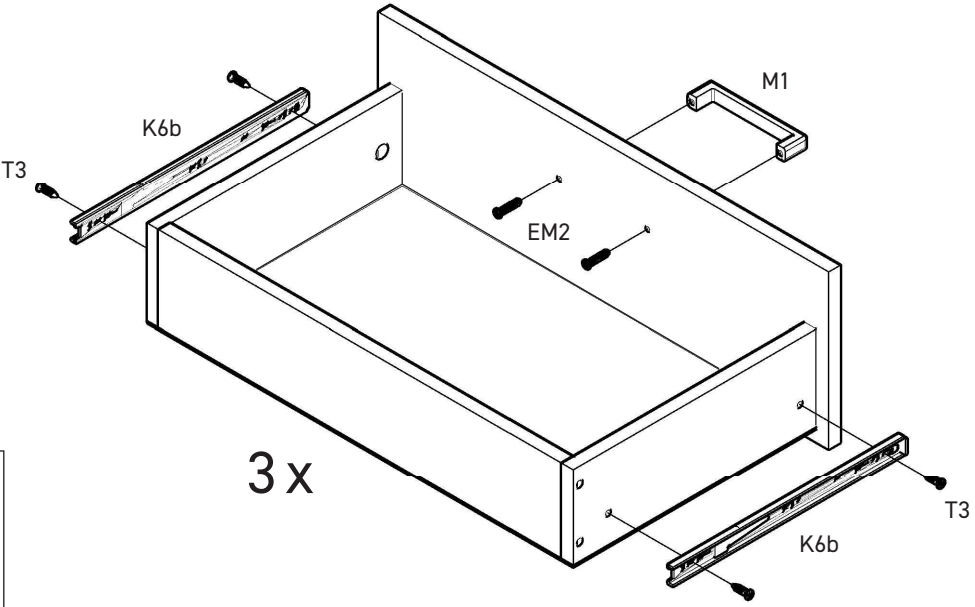
16



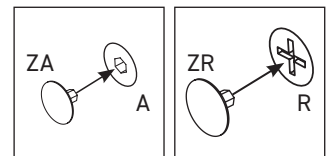
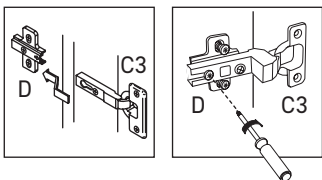
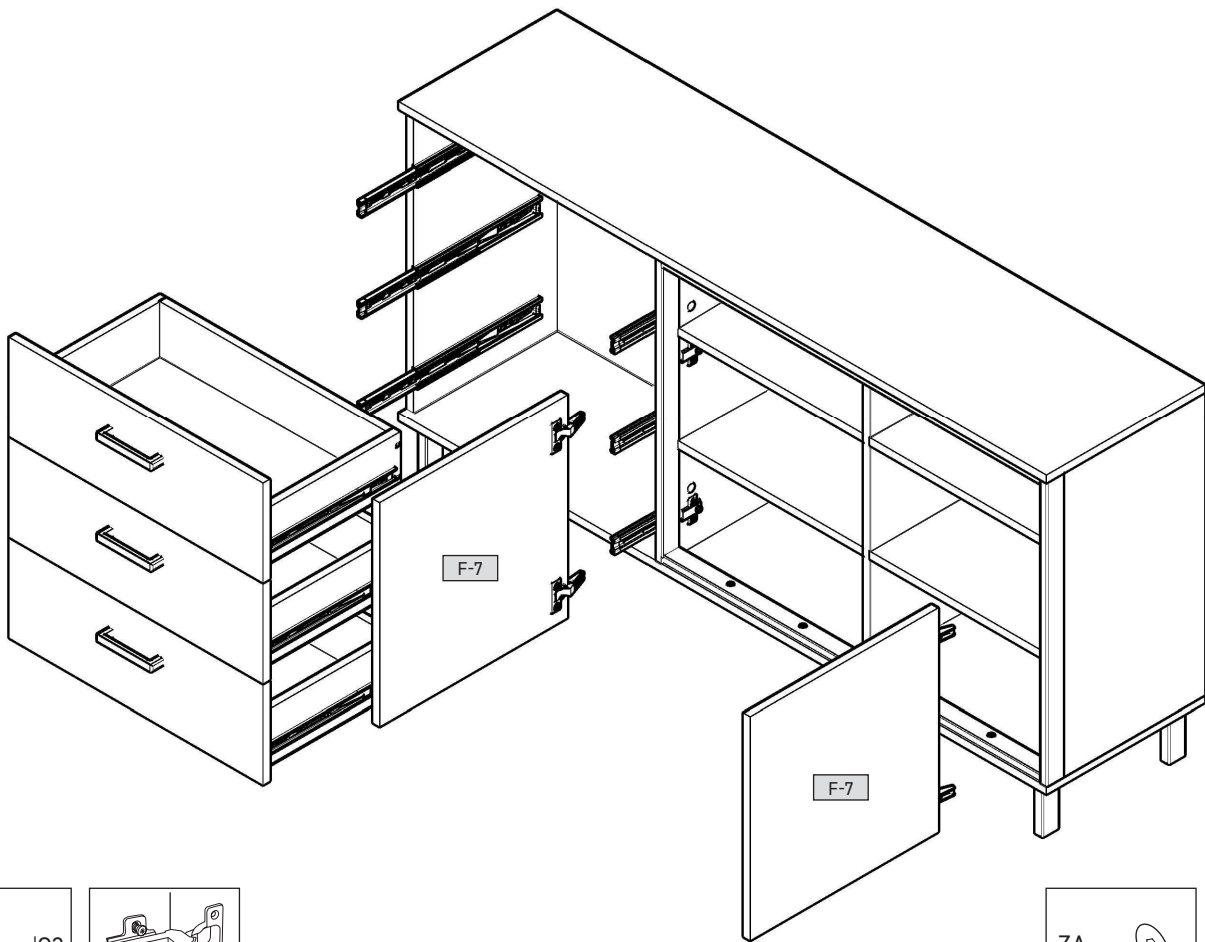
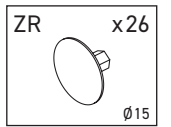
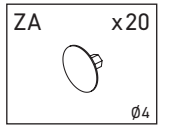
17



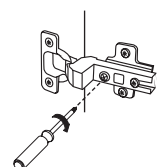
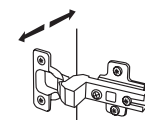
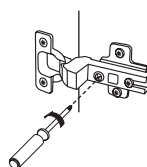
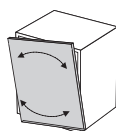
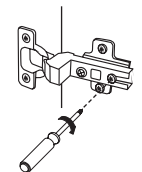
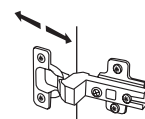
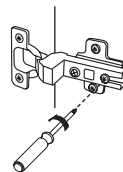
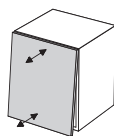
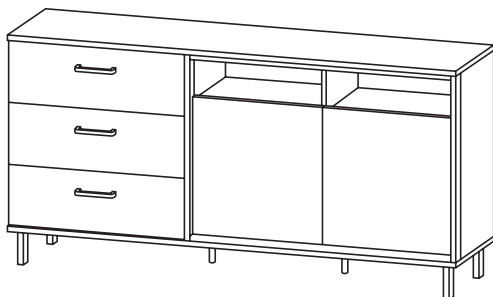
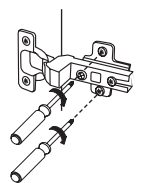
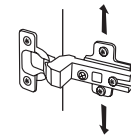
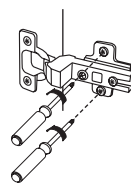
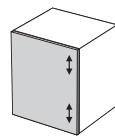
18

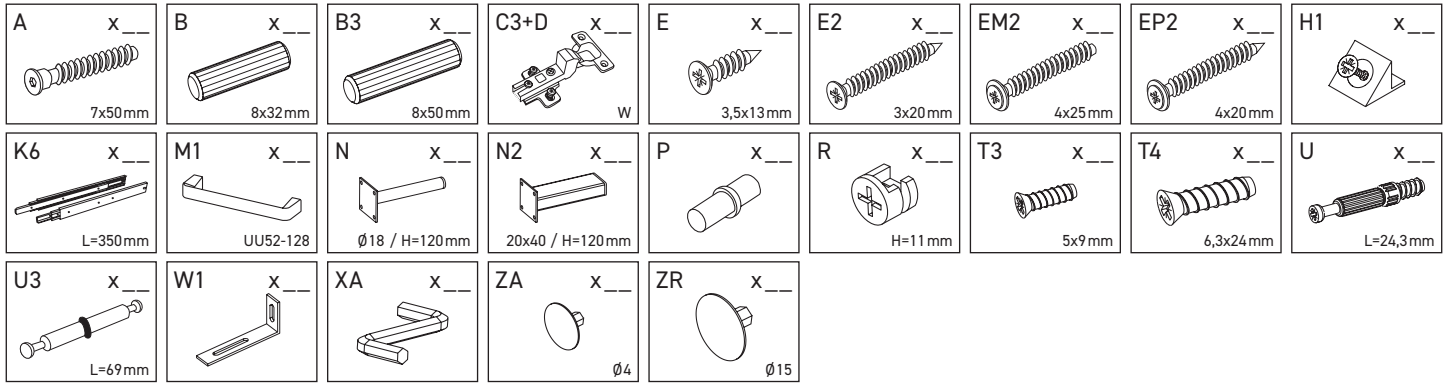


19



20





F-1a	1648	402	16	x 1	1/2
F-1b	1648	402	16	x 1	1/2
F-2	474	345	16	x 2	1/2
F-3	474	330	16	x 2	1/2
F-4	670	382	16	x 1	1/2
F-5	670	360	16	x 1	2/2
F-6a	670	345	16	x 1	2/2
F-6b	670	345	16	x 1	2/2
F-7	478	492	16	x 2	1/2
F-8	646	219	16	x 3	2/2
F-9	579	120	16	x 3	2/2
F-10a	350	120	16	x 3	1/2
F-10b	350	120	16	x 3	1/2
F-11	609	356	3	x 3	2/2
F-12	670	40	16	x 2	1/2
F-13	964	38	16	x 2	1/2
F-14	684	1629	3	x 1	1/2

