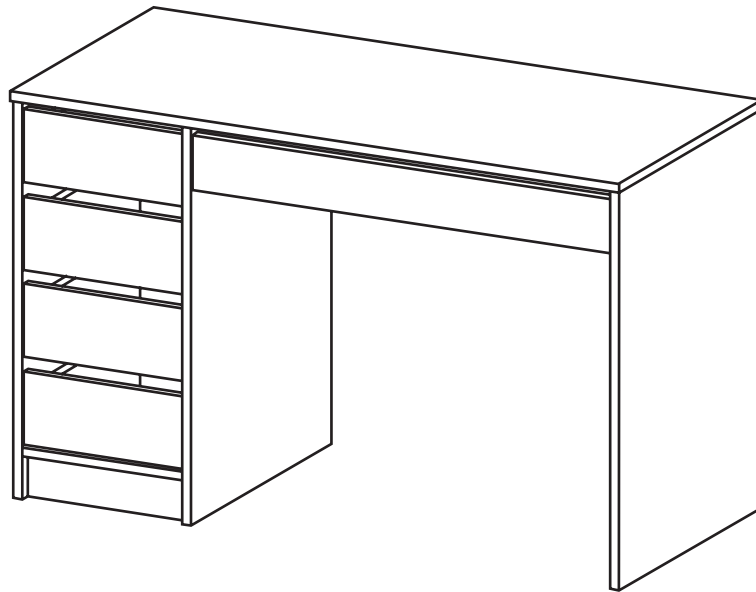




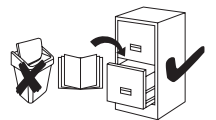
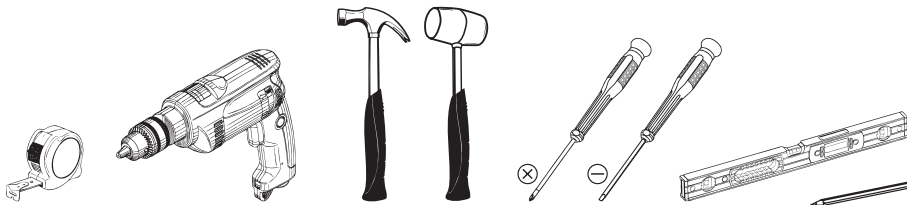
F

F - 1200 mm / 750 mm / 550 mm

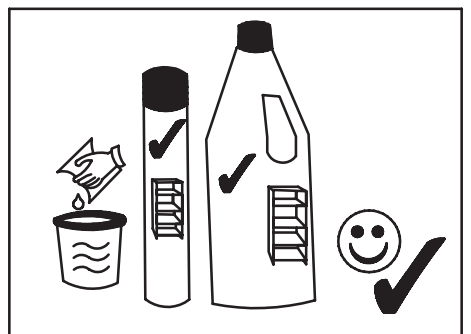
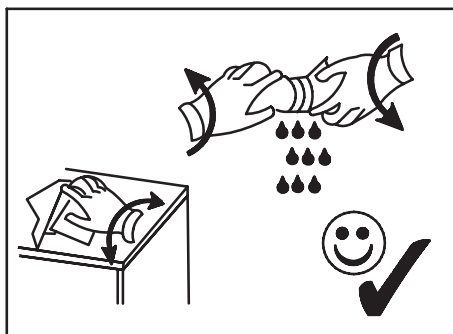
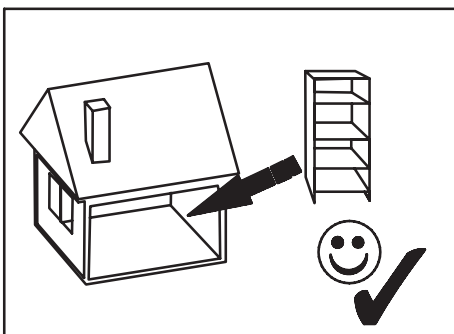
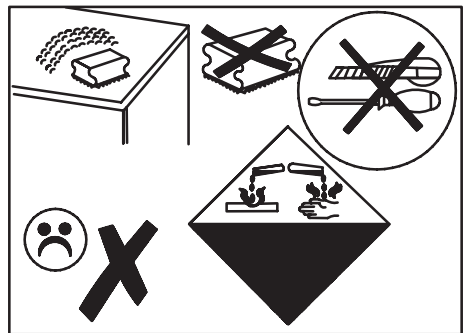
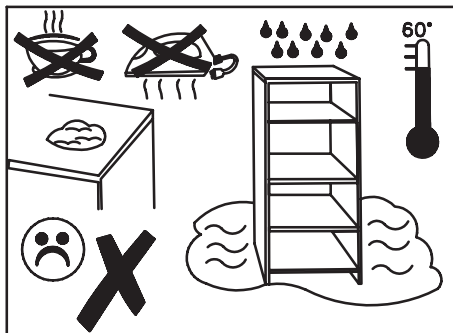
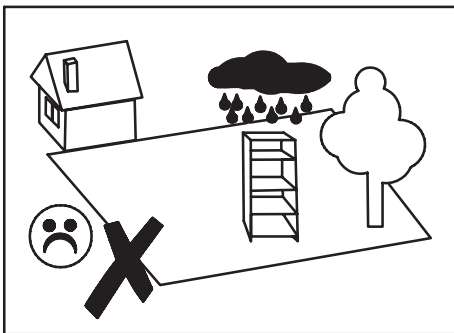
2023-04-25



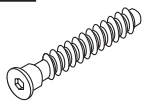

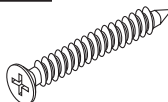


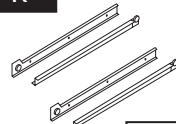
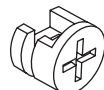


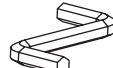



 150 min.

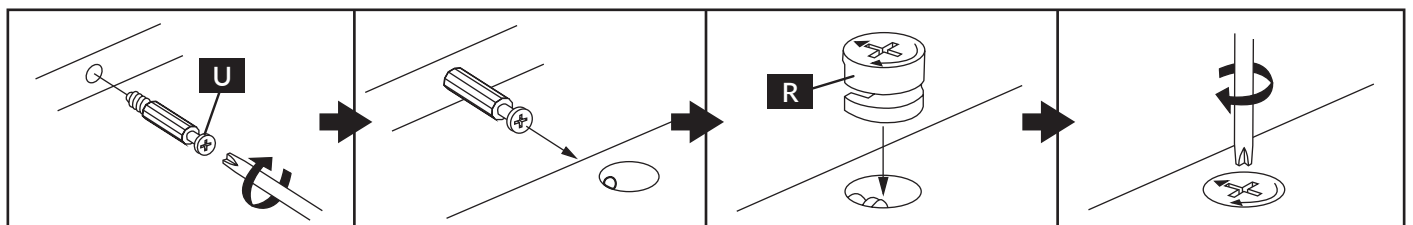
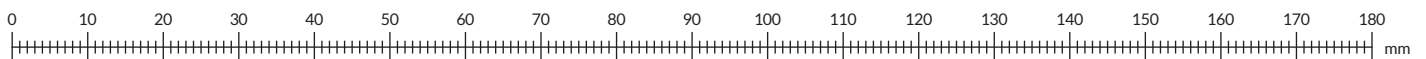
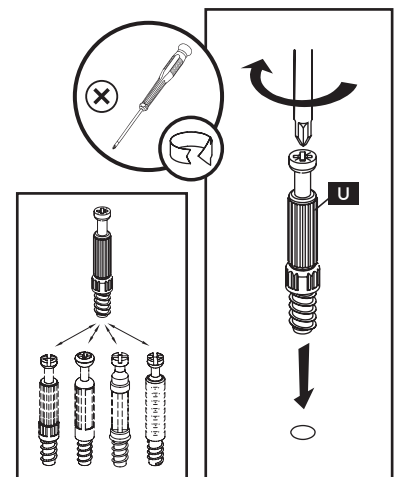


ADA - F - 1



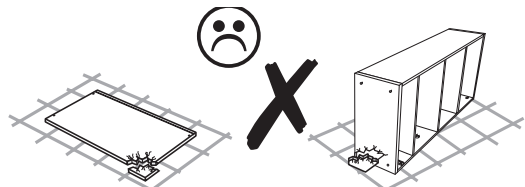
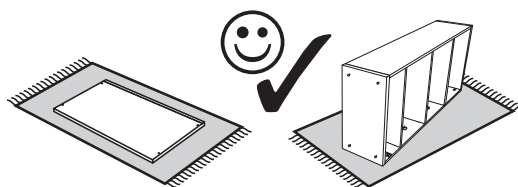
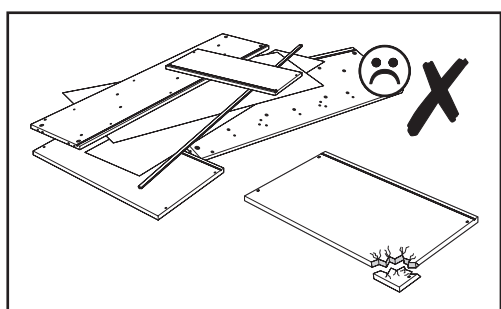
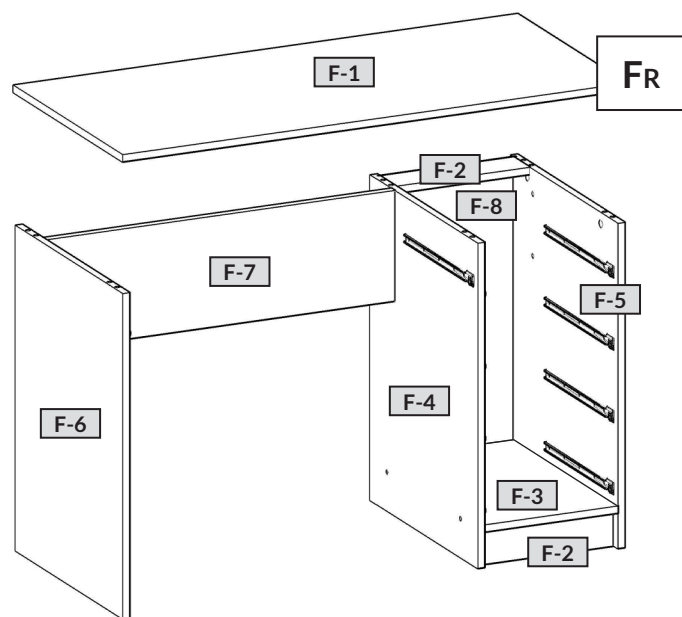
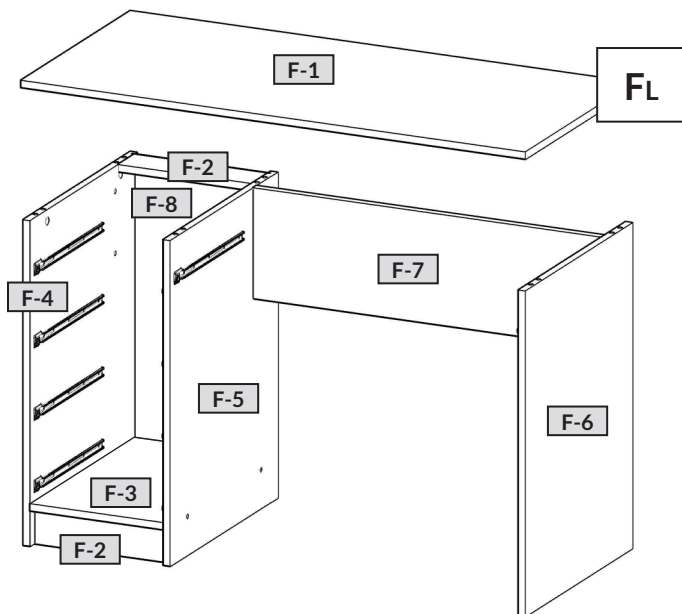
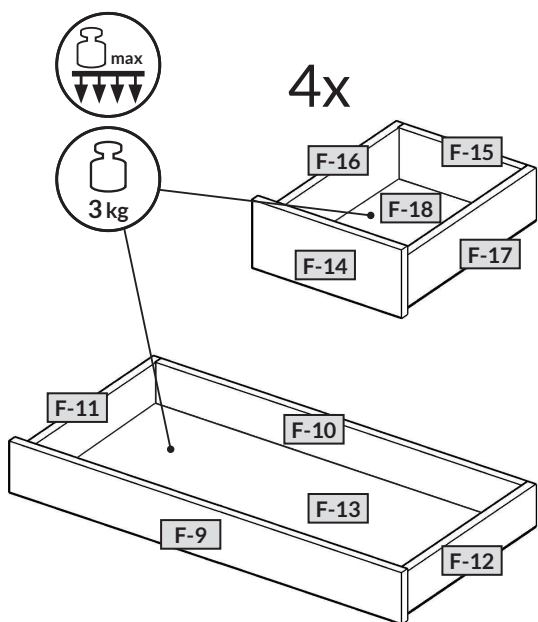
F:

A  7 x 50 mm x 6	B  8 x 32 mm x 58	E2  3 x 20 mm x 54	G2  x 6	H1  x 4	K  L=400 mm x 5
R  H=11 mm x 8	T2  5 x 9 mm x 20	U  L=24,3 mm x 8	XA  x 1	XG  GLUE x 2	ZA  Ø4 x 4
ZR  Ø15 x 8					

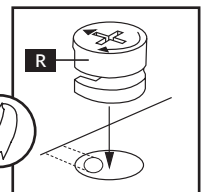
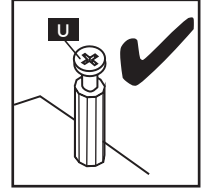
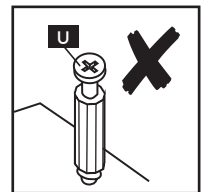
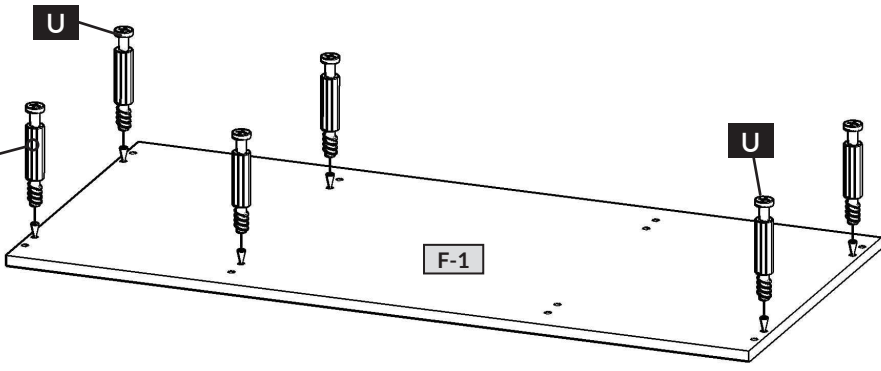


1	F-1	1200 / 550 / 16 mm	x 1
2	F-2	318 / 80 / 16 mm	x 2
3	F-3	318 / 525 / 16 mm	x 1
4	F-4	734 / 540 / 16 mm	x 1
5	F-5	734 / 540 / 16 mm	x 1
6	F-6	734 / 540 / 16 mm	x 1
7	F-7	829 / 250 / 16 mm	x 1
8	F-8	654 / 332 / 3 mm	x 1
9	F-9	825 / 110 / 16 mm	x 1

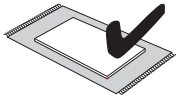
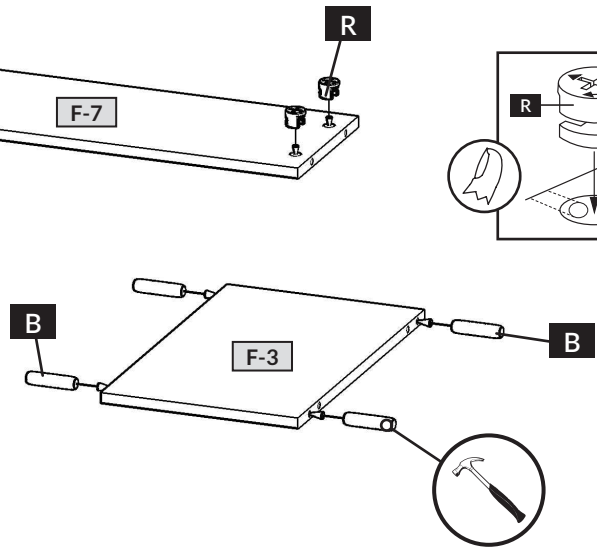
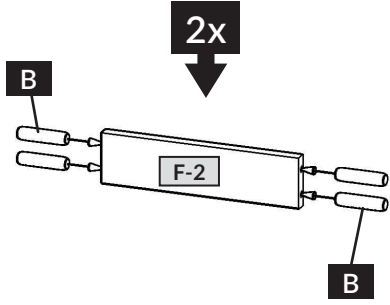
10	F-10	772 / 80 / 16 mm	x 1
11	F-11	400 / 80 / 16 mm	x 1
12	F-12	400 / 80 / 16 mm	x 1
13	F-13	803 / 406 / 3 mm	x 1
14	F-14	314 / 133 / 16 mm	x 4
15	F-15	261 / 100 / 16 mm	x 4
16	F-16	400 / 100 / 16 mm	x 4
17	F-17	400 / 100 / 16 mm	x 4
18	F-18	292 / 406 / 3 mm	x 4



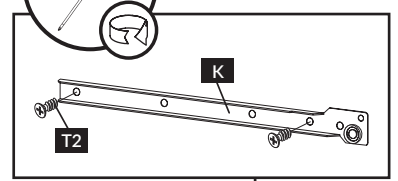
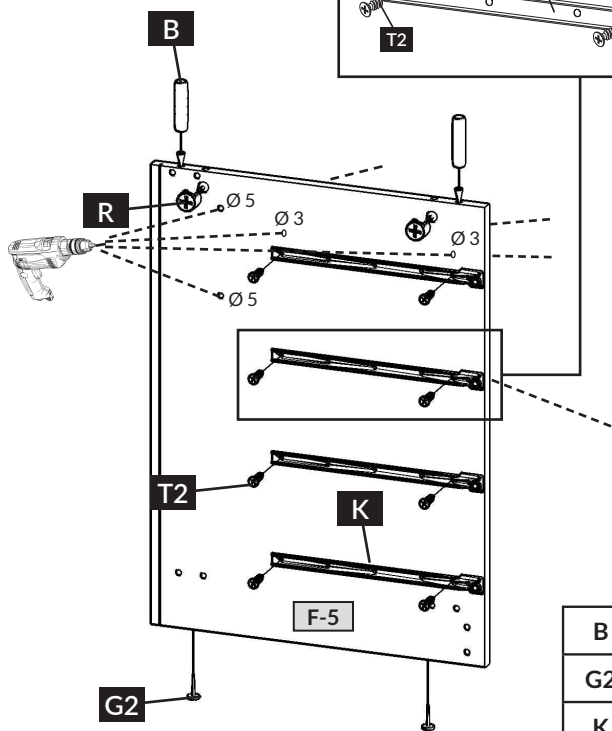
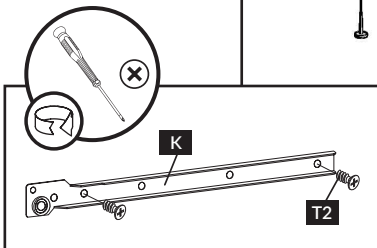
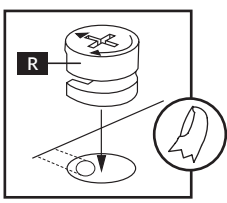
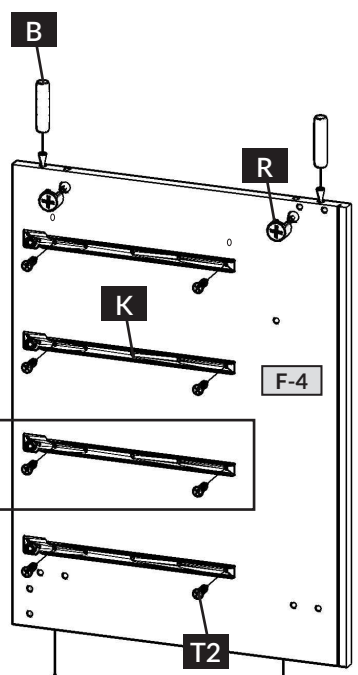
FL/1



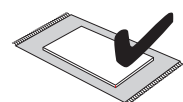
B	x 12
R	x 2
U	x 6



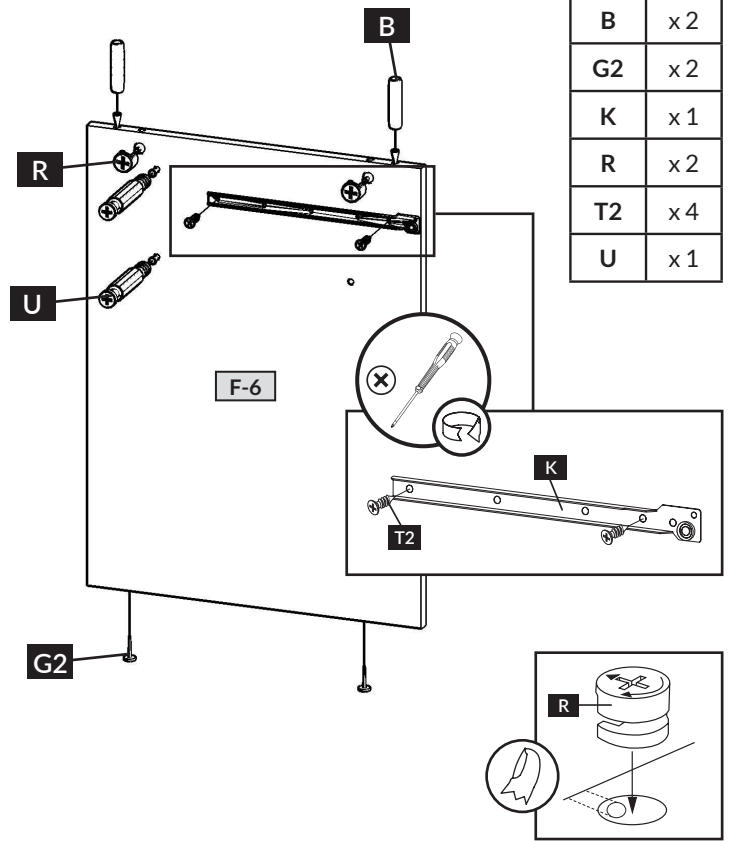
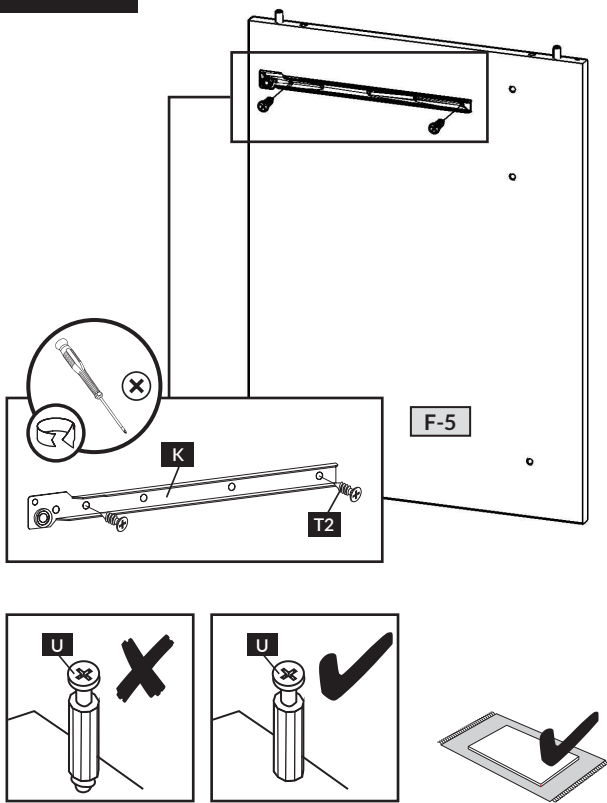
FL/2



B	x 4
G2	x 4
K	x 4
R	x 4
T2	x 16

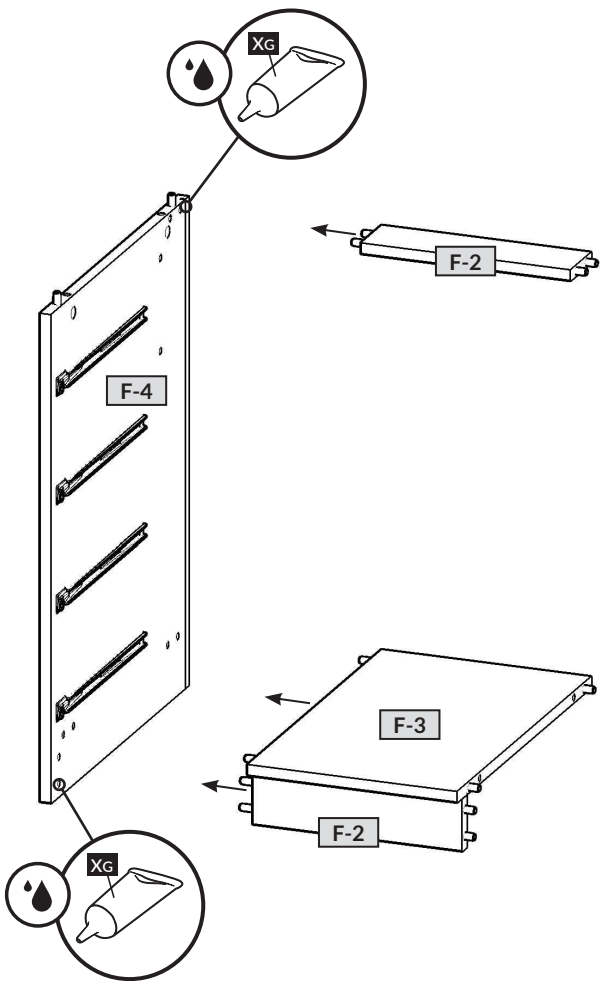


FL/3

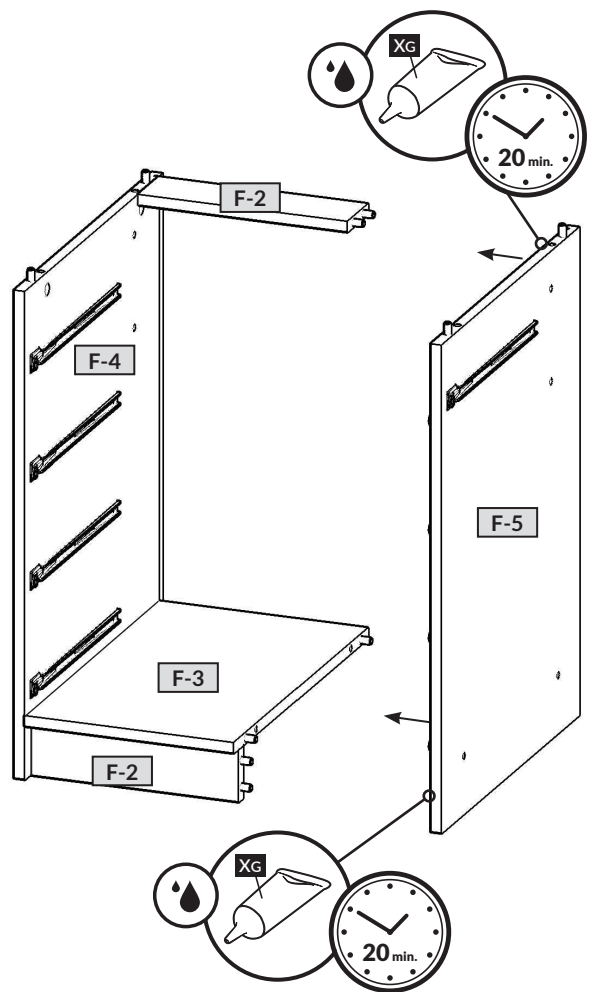


B	x2
G2	x2
K	x1
R	x2
T2	x4
U	x1

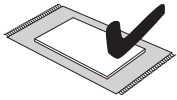
FL/4



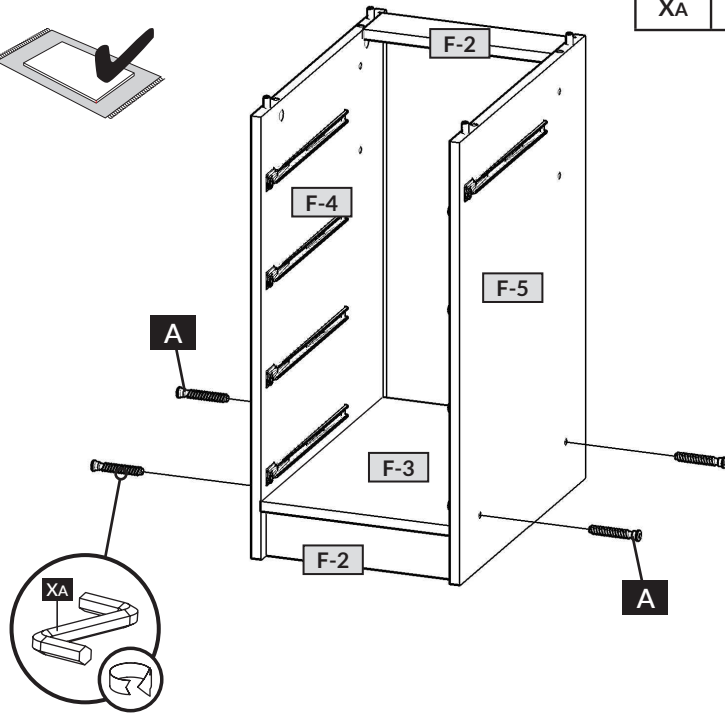
FL/5



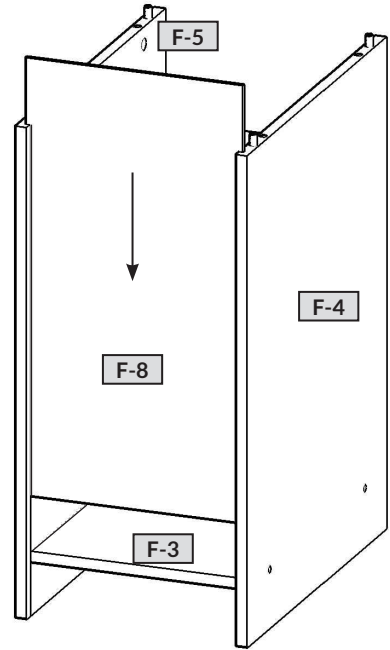
FL/6



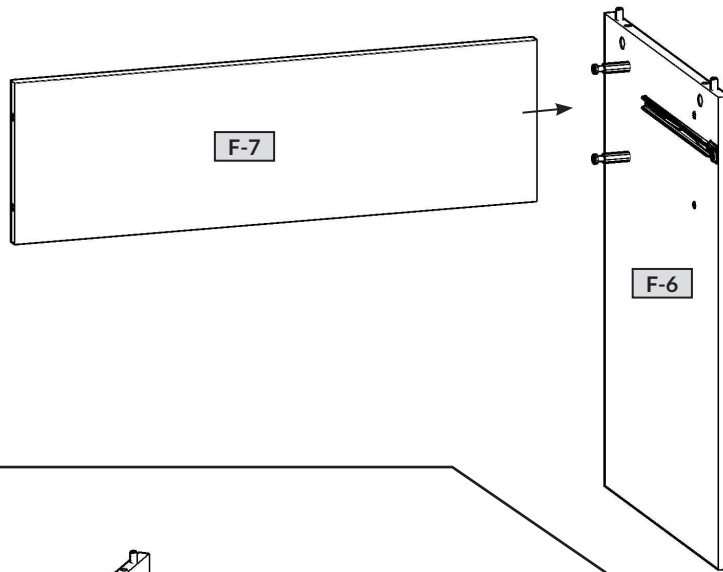
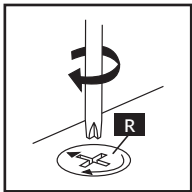
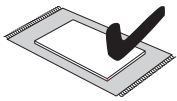
A	x4
XA	x1



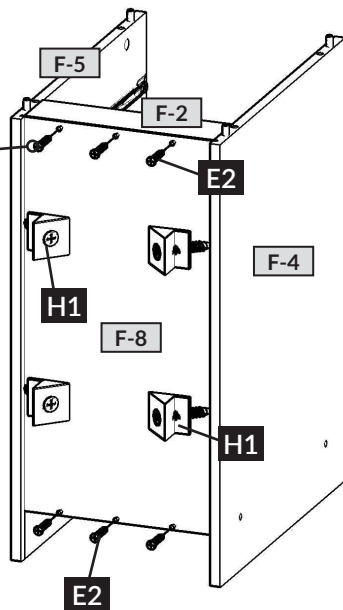
FL/7



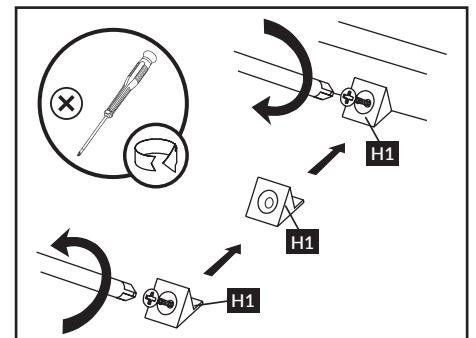
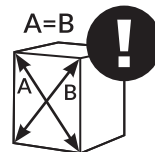
FL/8



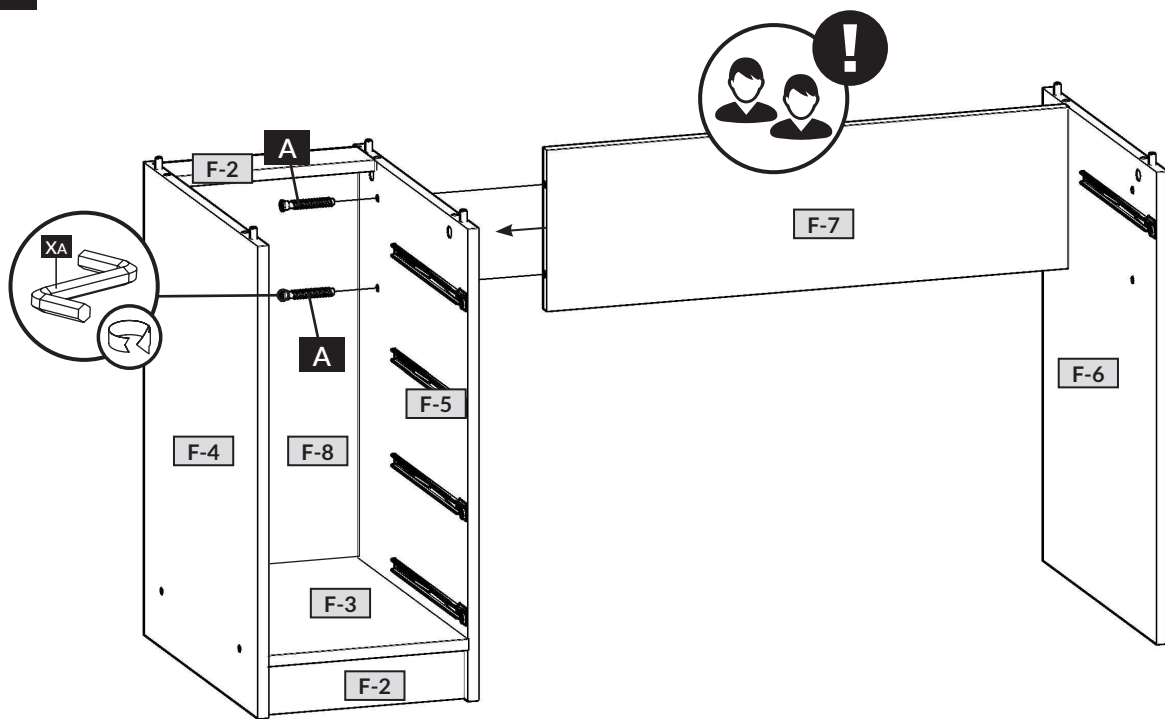
FL/9



E2	x6
H1	x4



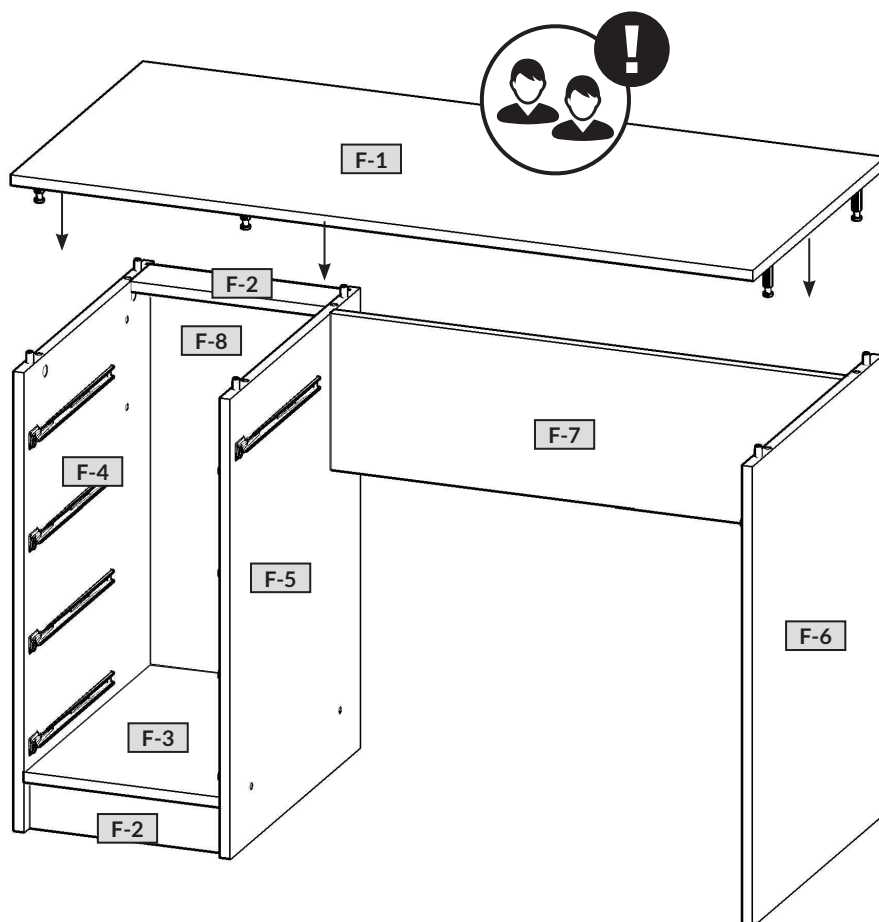
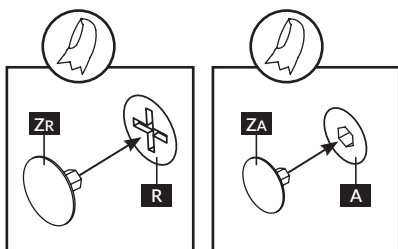
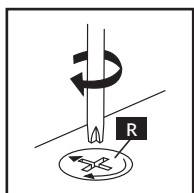
FL / 10



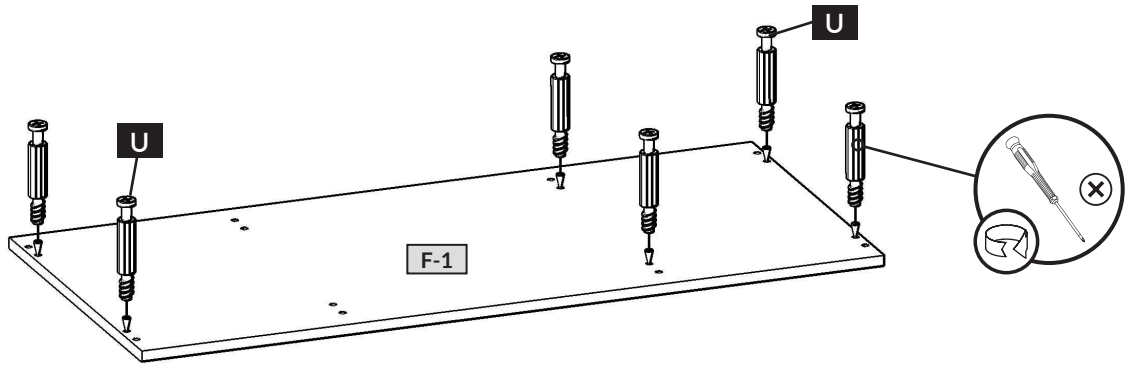
A	x2
XA	x1

FL / 11

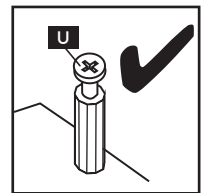
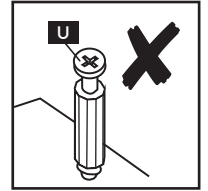
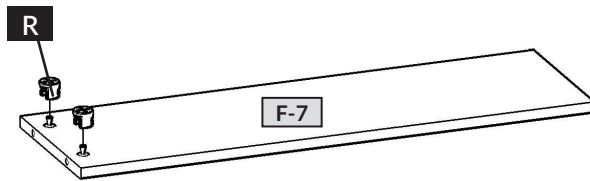
ZR	x4
ZR	x8



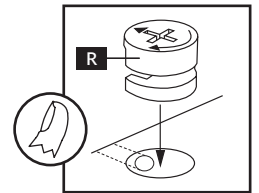
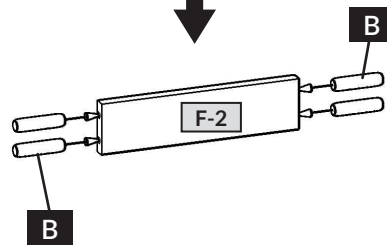
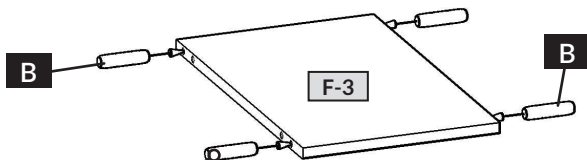
FR / 1



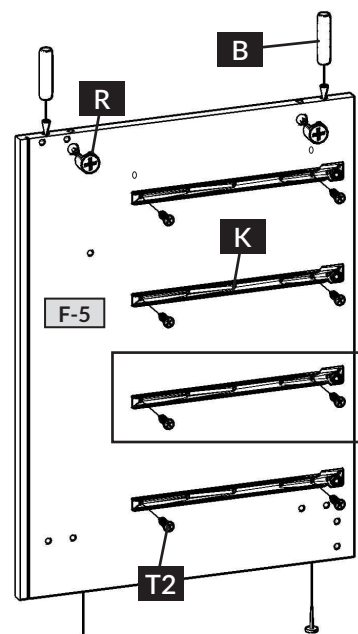
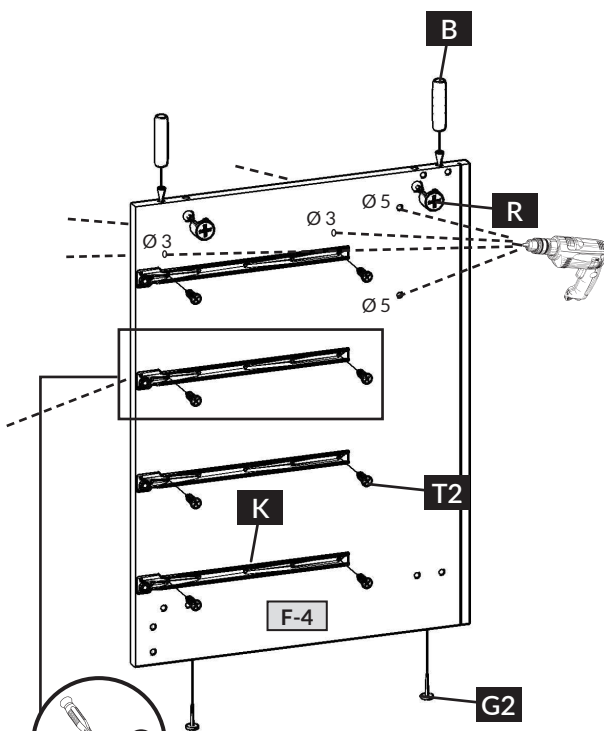
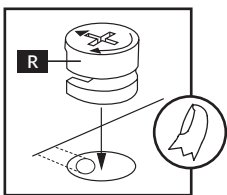
B	x 12
R	x 2
U	x 6



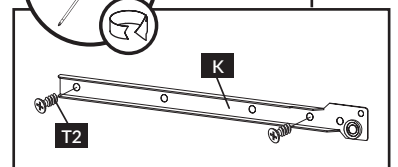
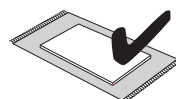
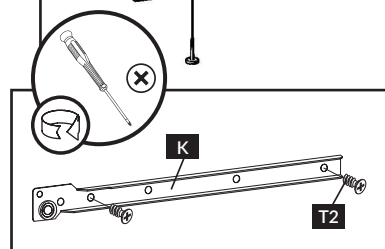
2x



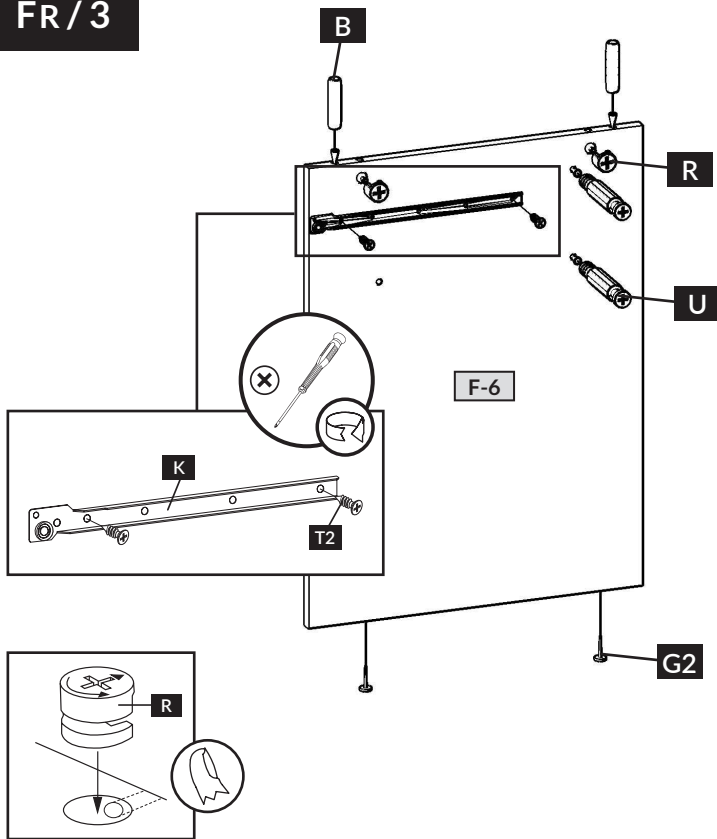
FR / 2



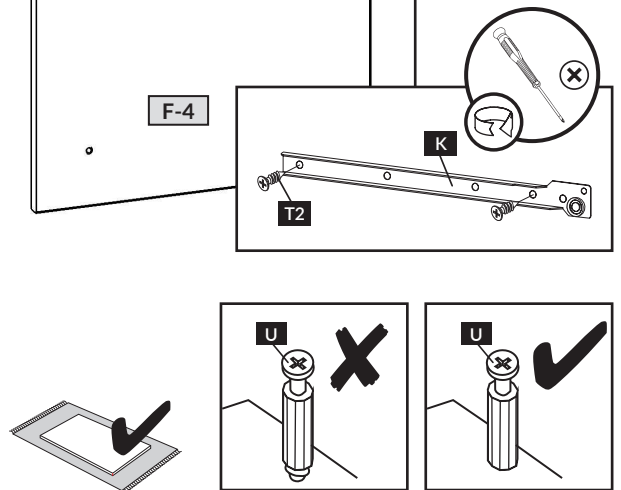
B	x 4
G2	x 4
K	x 4
R	x 4
T2	x 16



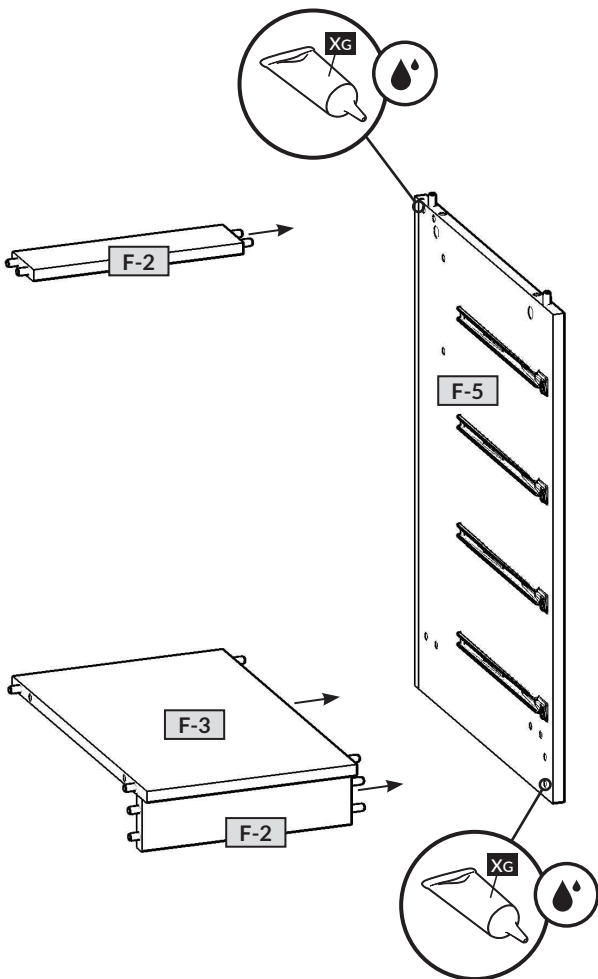
FR / 3



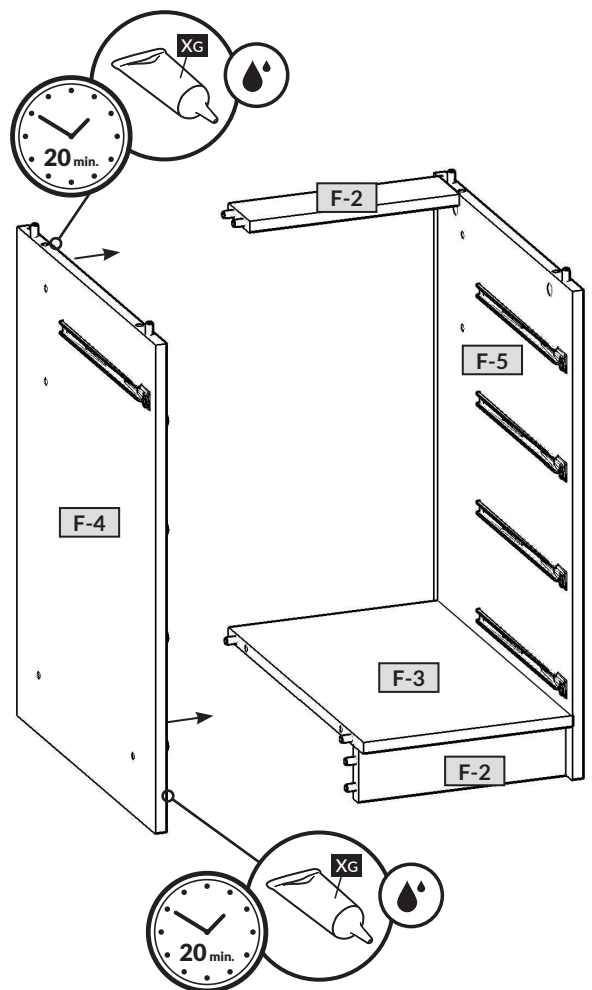
B	x 2
G2	x 2
K	x 1
R	x 2
T2	x 4
U	x 1



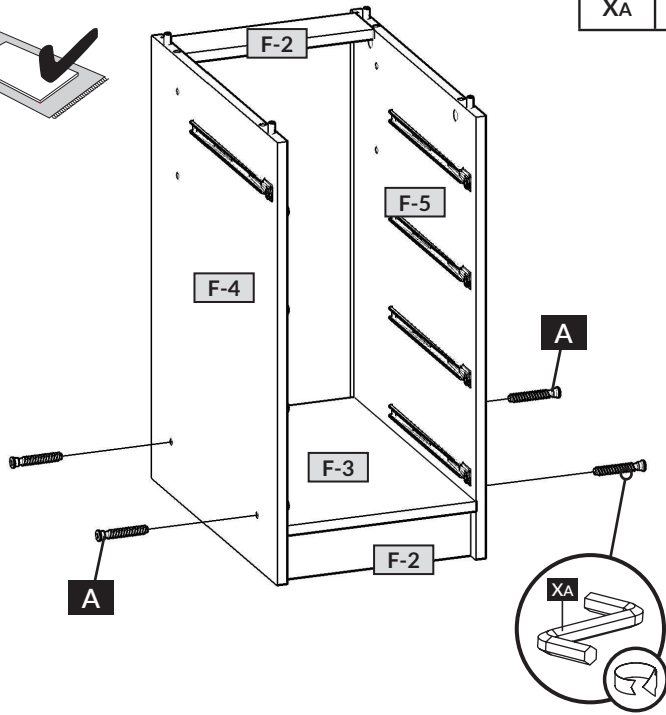
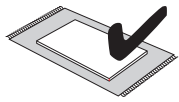
FR / 4



FR / 5

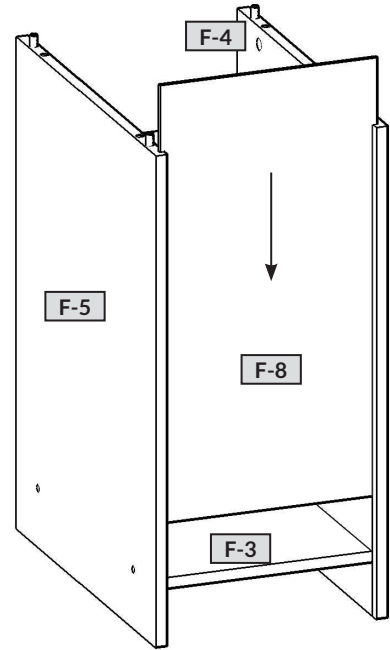


FR/6

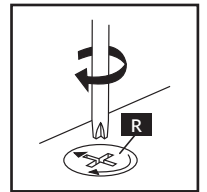
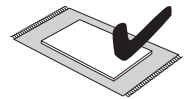
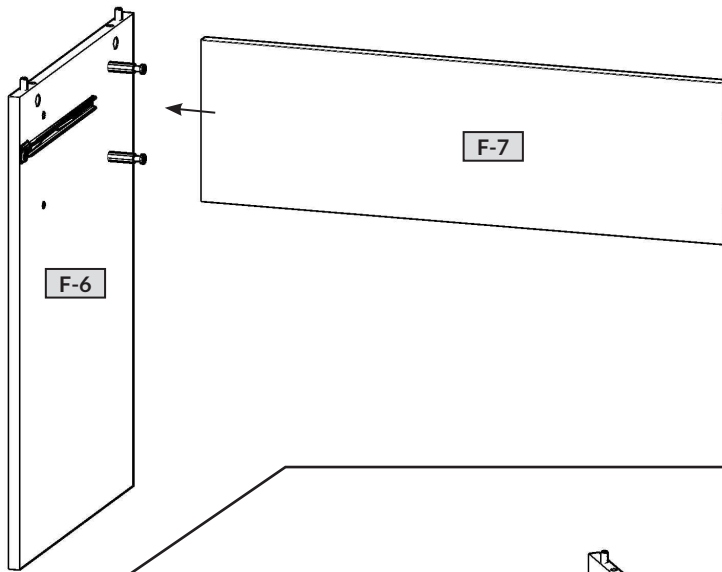


A	x4
XA	x1

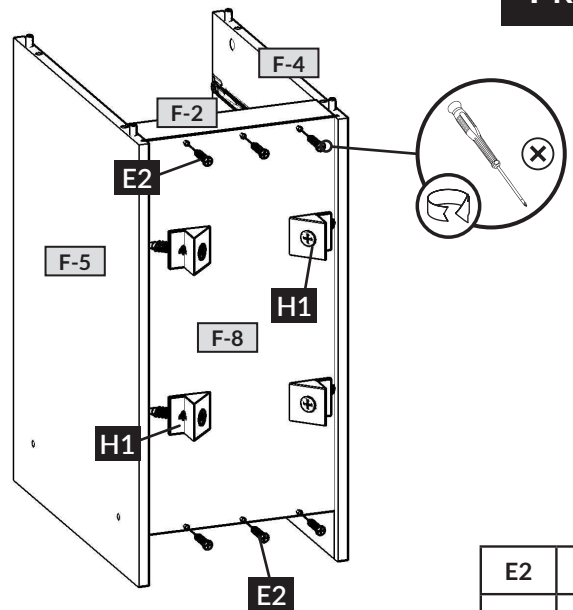
FR/7



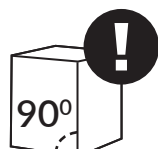
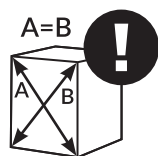
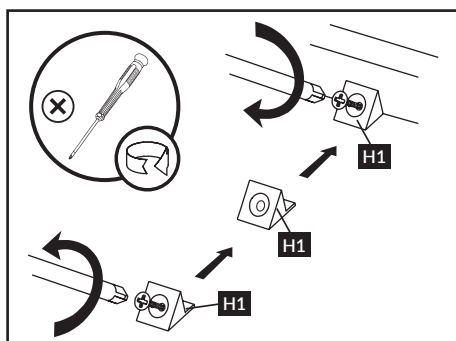
FR/8



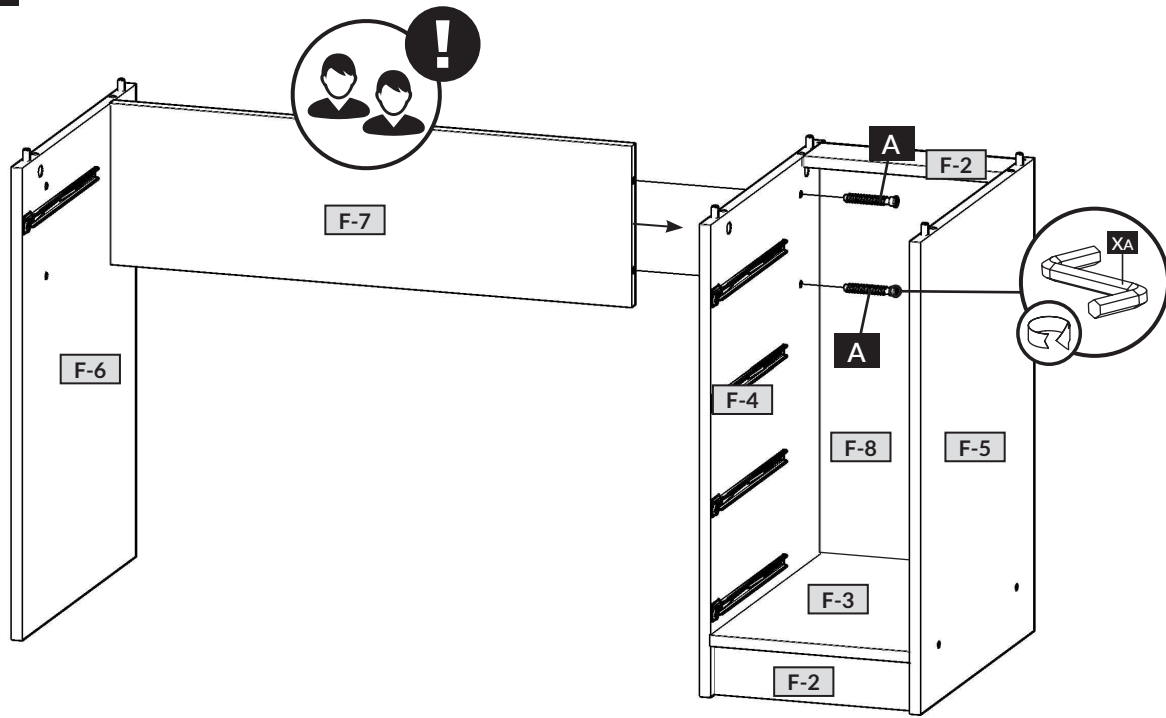
FR/9



E2	x6
H1	x4



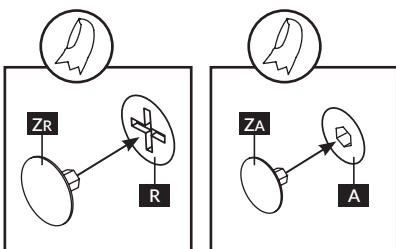
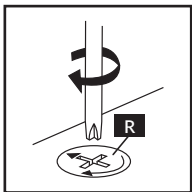
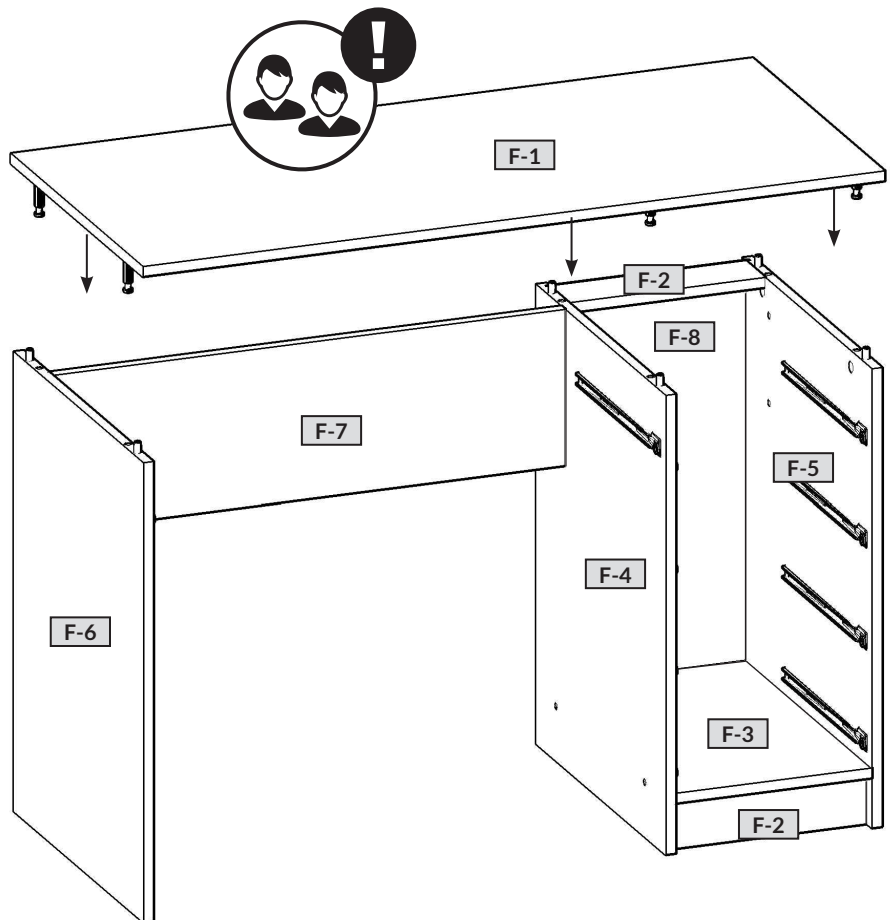
FR / 10



A	x 2
XA	x 1

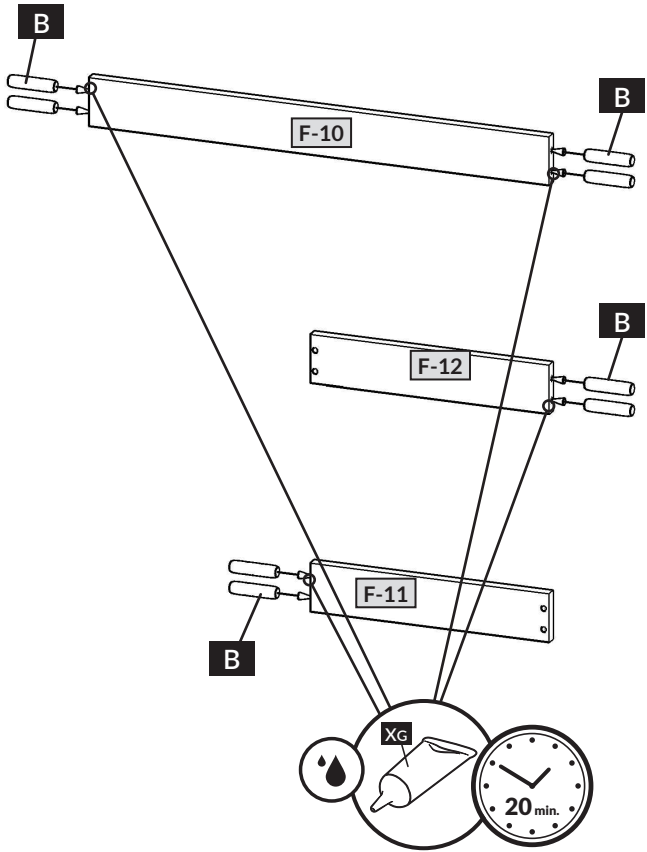
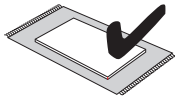
FR / 11

ZA	x 4
ZR	x 8



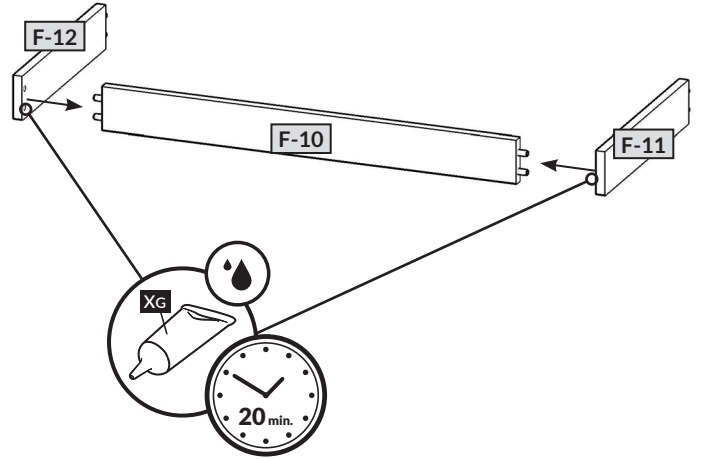
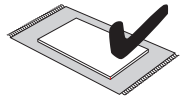
F / 12

B	x8
XG	x1



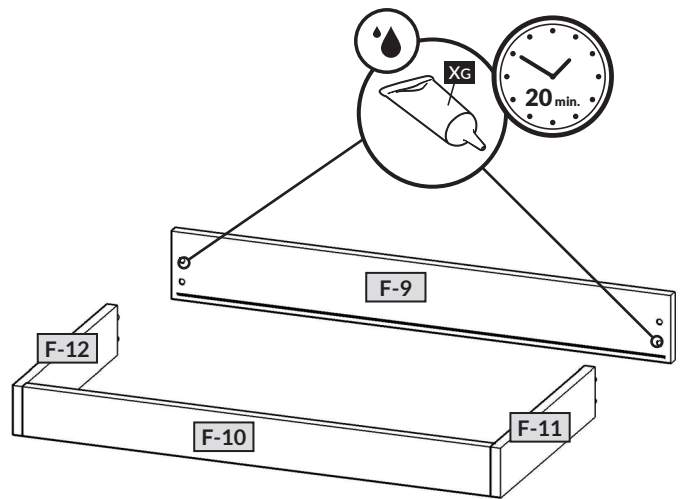
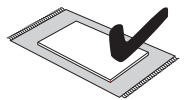
F / 13

XG	x1
----	----

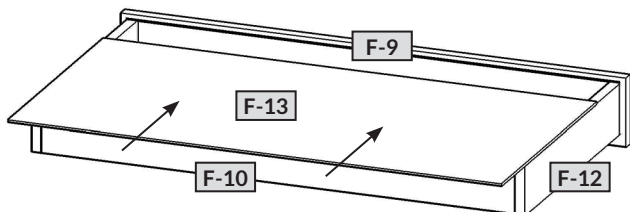
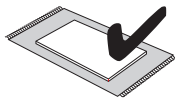


F / 14

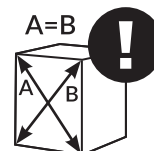
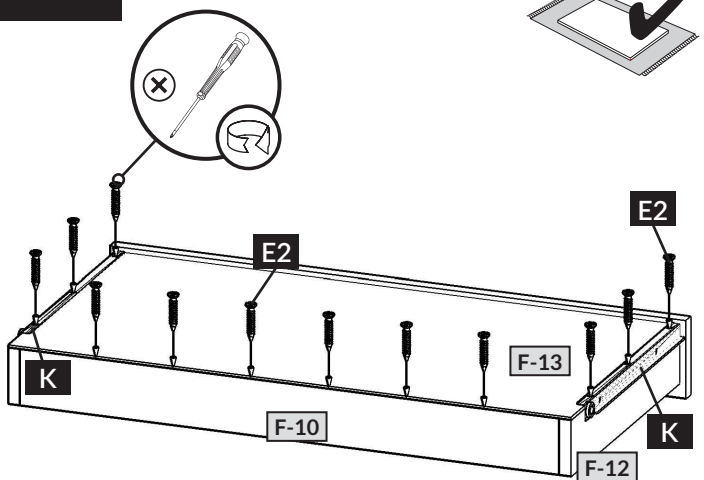
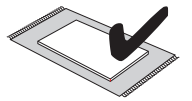
XG	x1
----	----



F / 15

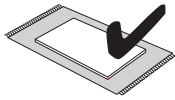


F / 16

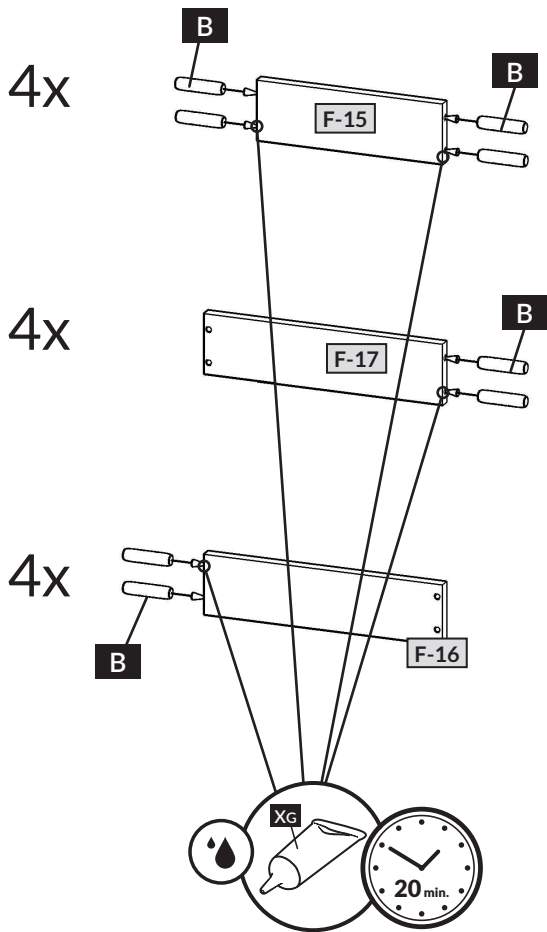


E2	x12
K	x1

F / 17

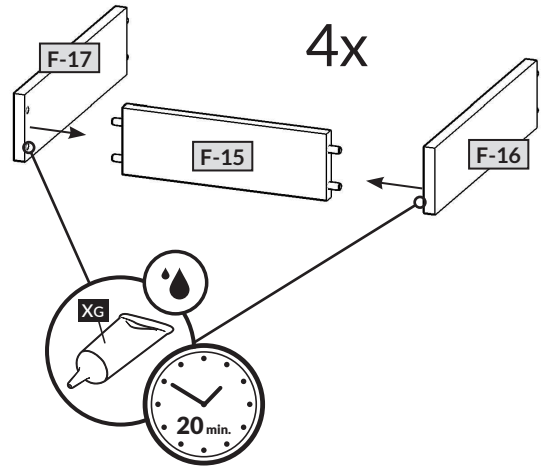
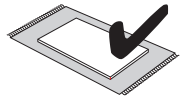


B	x 32
XG	x 1



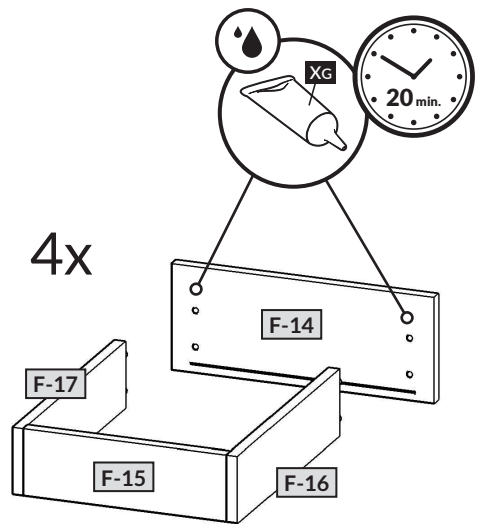
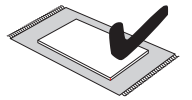
F / 18

XG	x 1
----	-----

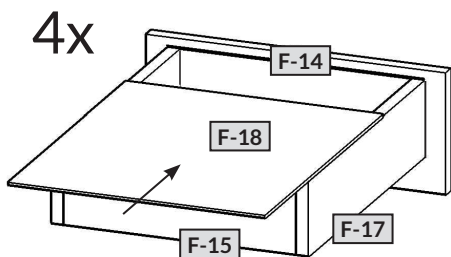
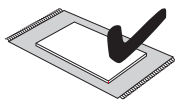


F / 19

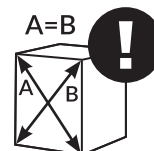
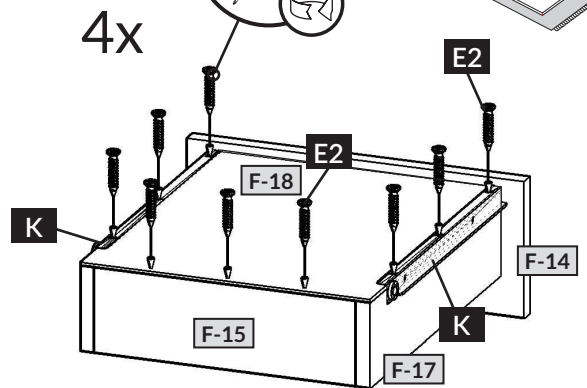
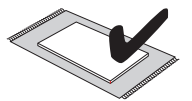
XG	x 1
----	-----



F / 20

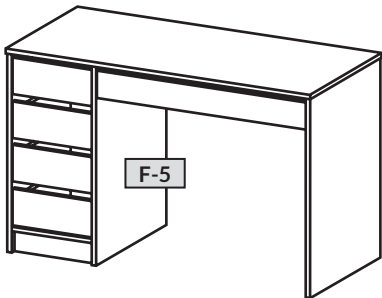


F / 21



E2	x 36
K	x 1

FL/2



FR/2

