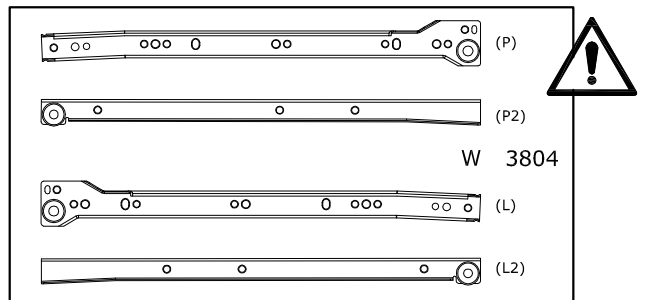
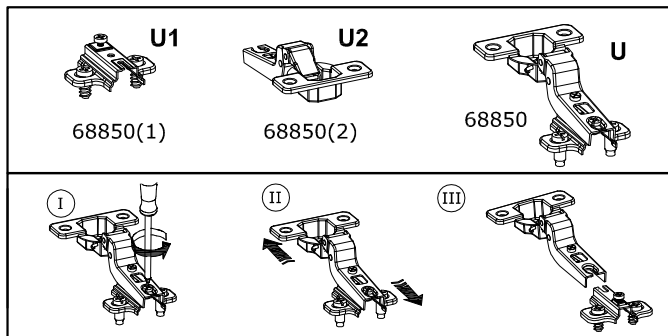
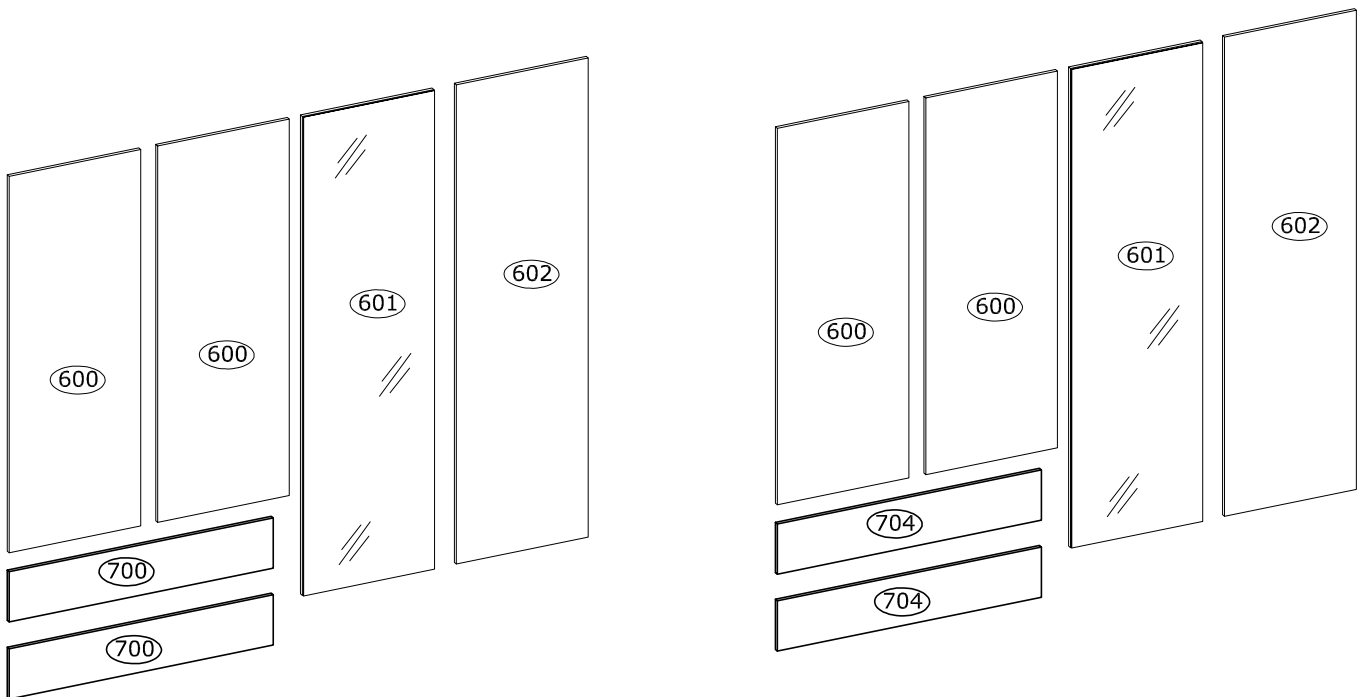
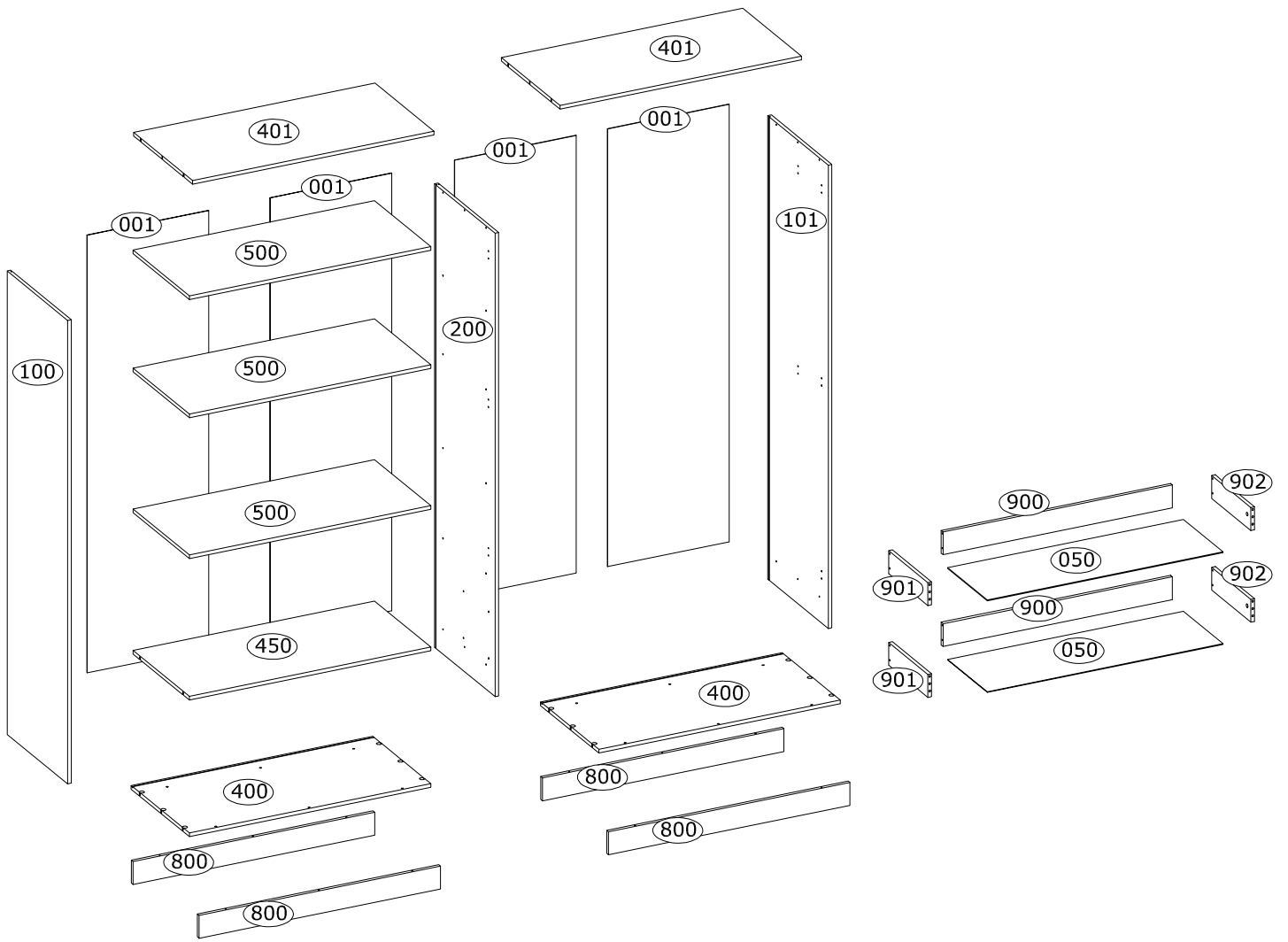


<b>A</b> Ø8x30 mm  x8 3989	<b>B</b> Ø6,5x36,5 mm  x4 4066	<b>C</b> Ø15x12 mm  x4 3996	<b>D</b>  x12 184248	<b>E</b> 20x22x13,5 mm  x28 208625
<b>F</b> Ø6,5x16 mm  x28 208665	<b>G</b> Ø12x42 mm  x8 IN01157	<b>H</b> 15x14x11 mm  x20 4044	<b>I</b> 42x17x20 mm  x4 4069	<b>J</b> 75x15x32 mm  x2 71900
<b>K</b>  x14 70313	<b>L</b> 4 mm  x1 3984	<b>M</b> Ø6,4x50mm  x12 3884	<b>N</b> Ø3,5x16 mm  x64 3918	<b>O</b> Ø6,0x13 mm  x8 3877
<b>P</b> 1,2x20 mm  x52 3975	<b>R</b> L-1890 mm  x2 217025	<b>S</b> L-1068 mm  x2 72529	<b>T</b> L-120 mm  x4 209928	<b>U</b> Ø35 mm , KR15  x12 68850
<b>W</b> L-350mm  x2 kpl 3804	<b>X</b> L-350 mm  x2 185476	<b>Y</b> Ø8x2 mm  x2 75516		

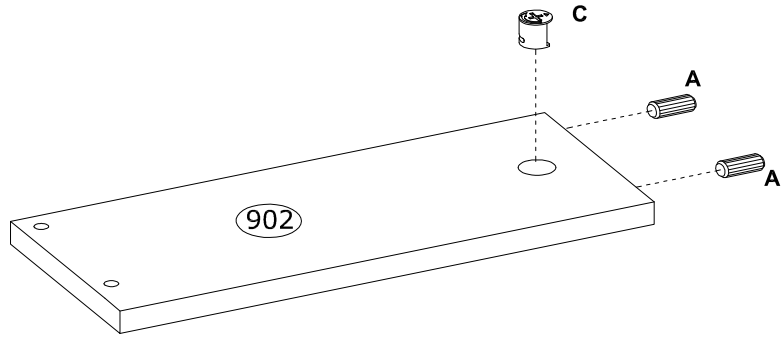
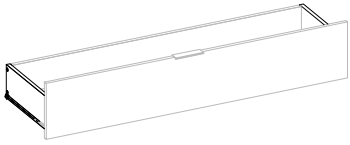


0  
10  
20  
30  
40  
50  
60  
70  
80  
90  
100  
110  
120  
130  
140  
150  
160  
170  
180  
190  
200

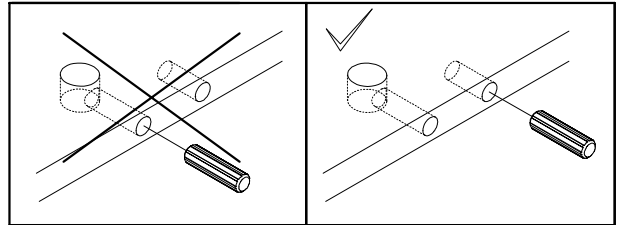
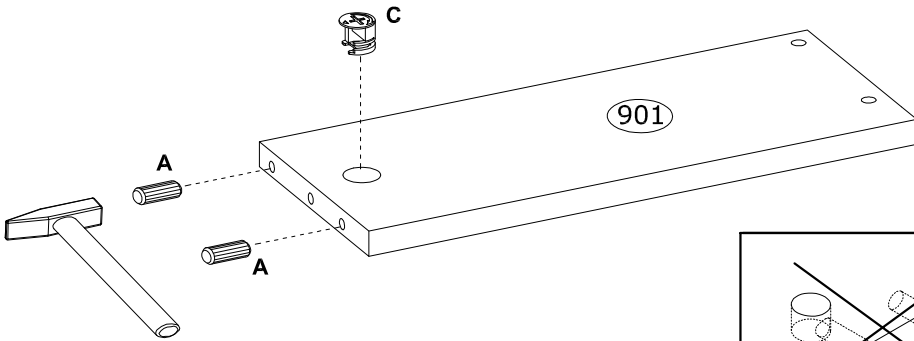


1

<b>A</b> Ø8x30 mm  x8 3989	<b>C</b> Ø15x12 mm  x4 3996	
---	--	--

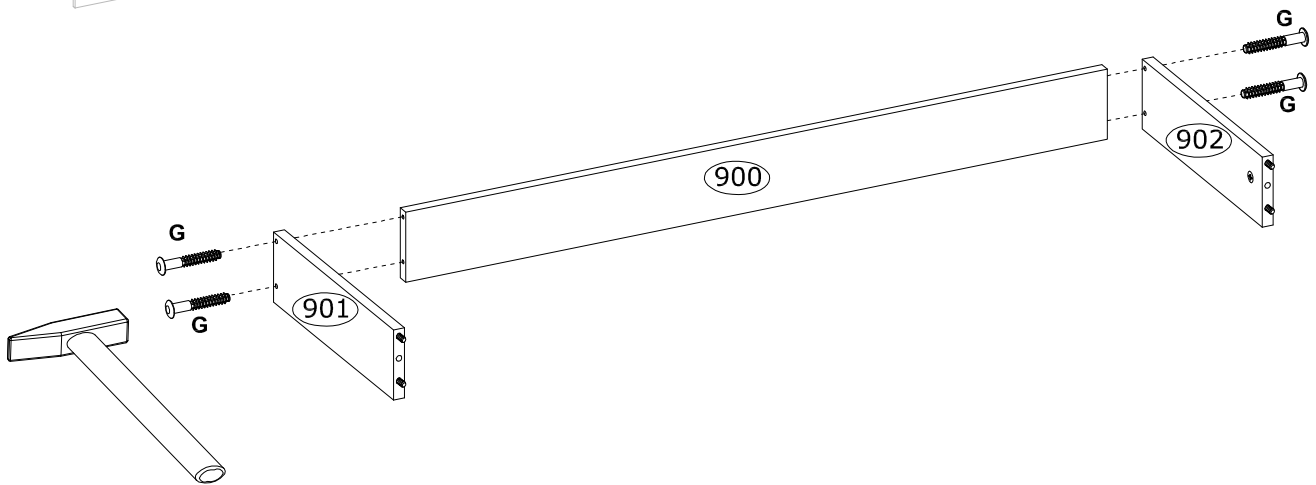
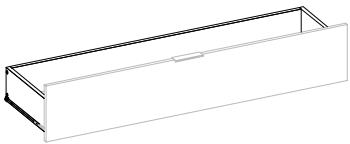


2x



2

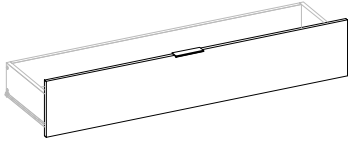
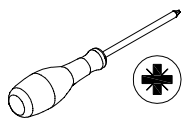
<b>G</b> Ø12x42 mm  x8 IN01157	
---	---



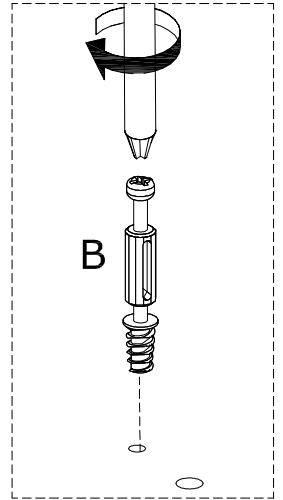
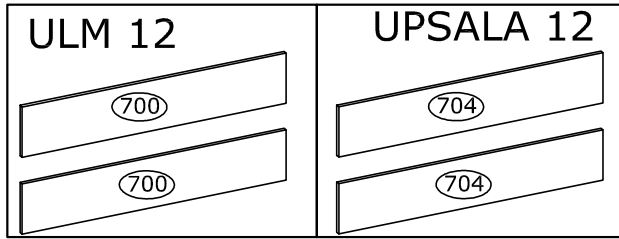
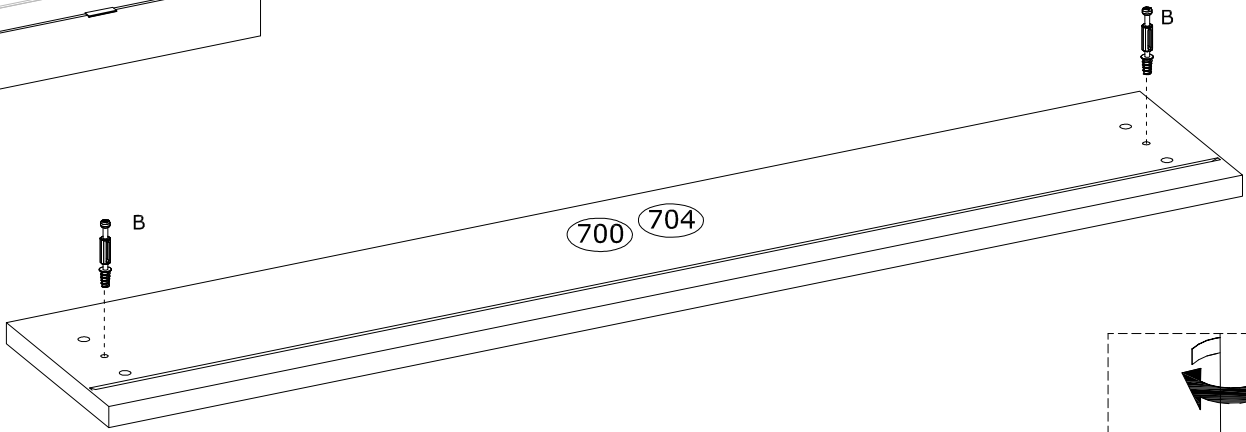
2x

3

B  
Ø6,5x36,5 mm  
x4  
4066



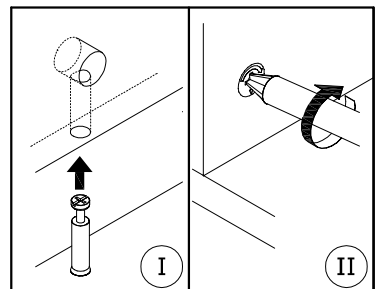
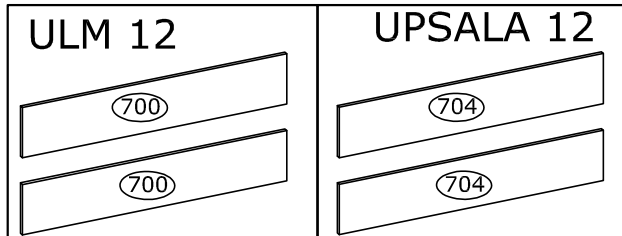
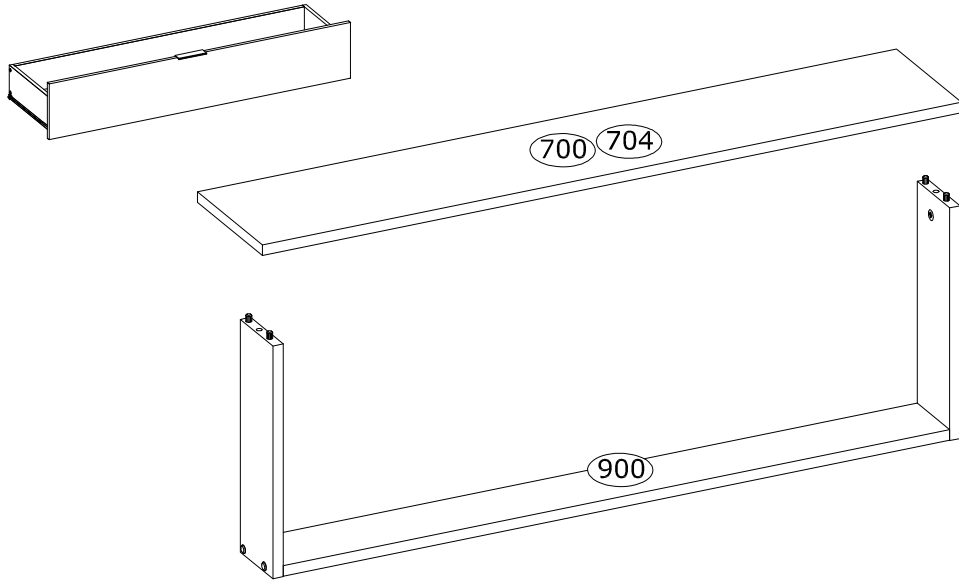
2x






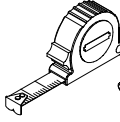

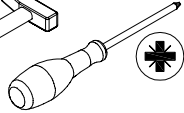

4



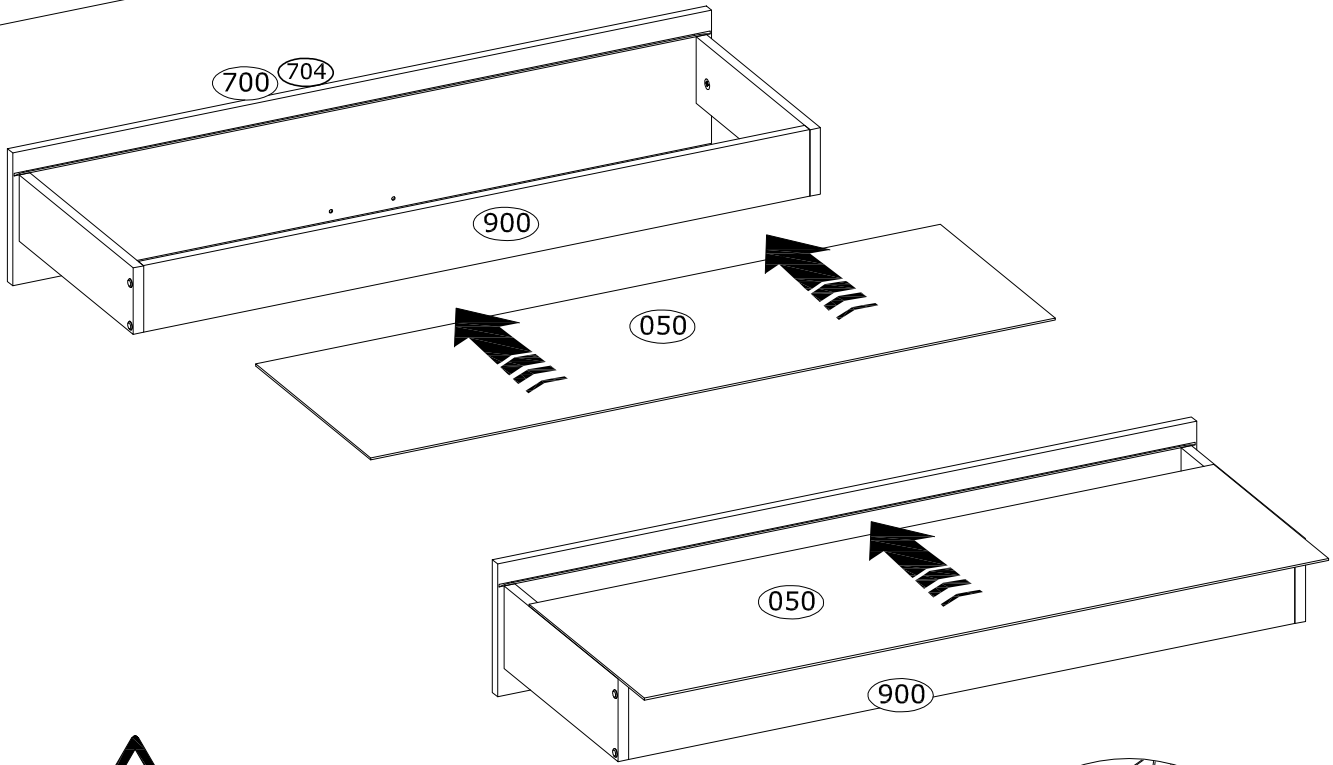
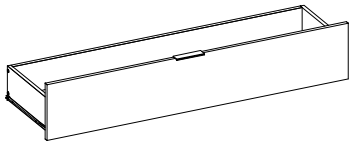
2x



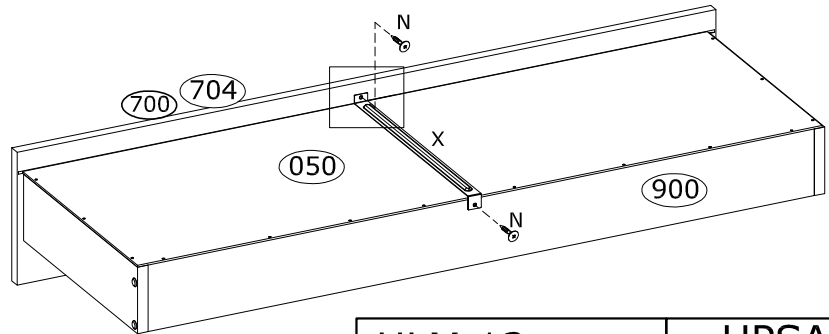
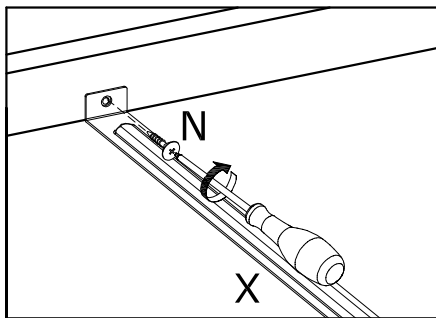
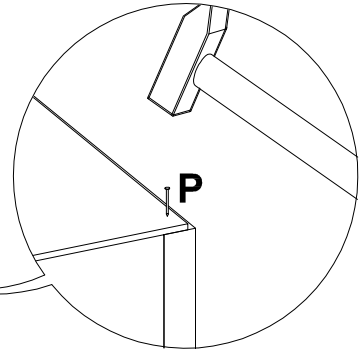
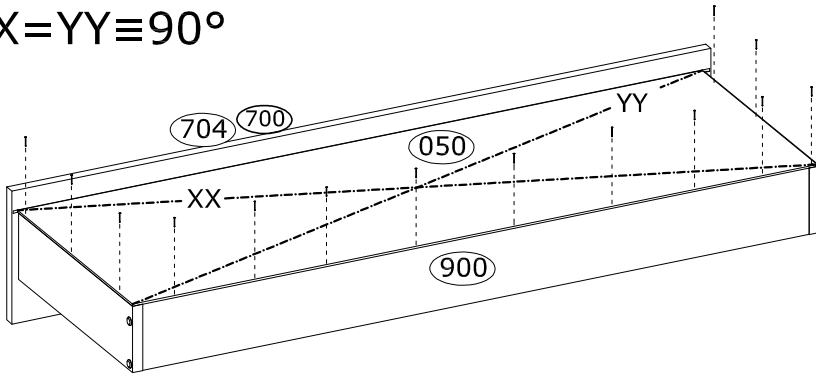
5



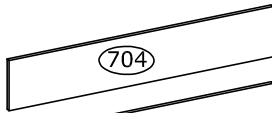

<b>X</b> L-350 mm  x2 185476	<b>N</b> Ø3,5x16 mm  x4 3918	<b>P</b> 1.2x20 mm  x28 3975	   
---	---	---	---

2x


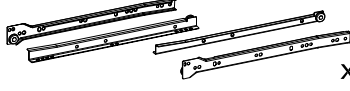
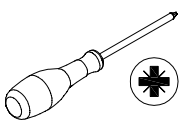



XX=YY≅90°

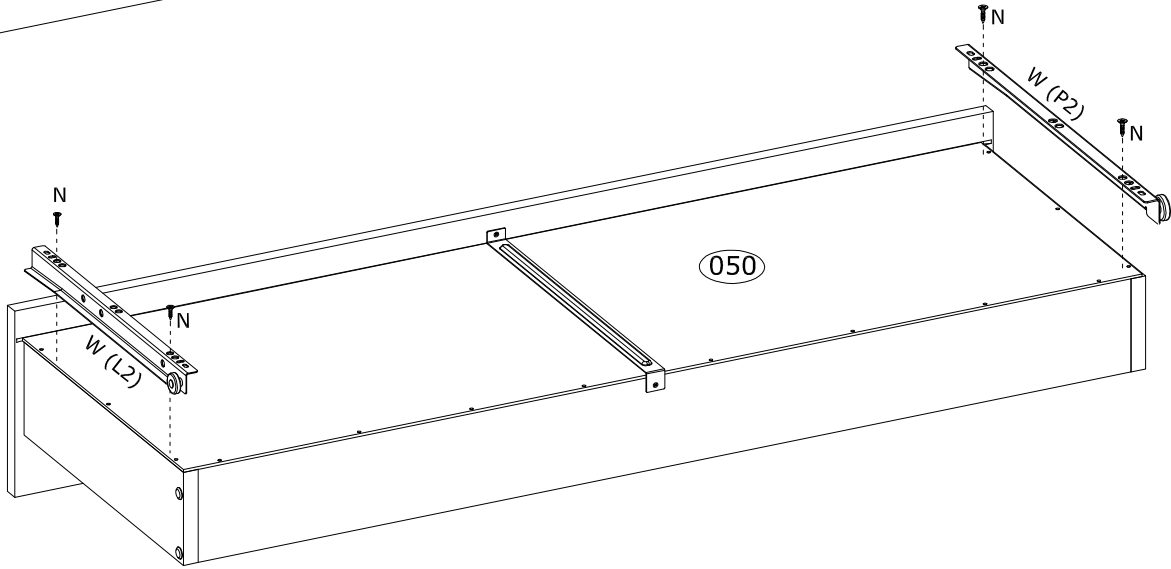
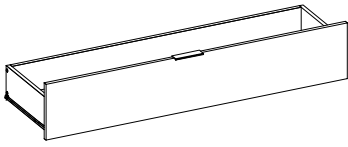


<b>ULM 12</b>  700  700	<b>UPSALA 12</b>  704  704
---	--

6

<b>N</b>	Ø3,5x16 mm	<b>W</b>	L-350mm		x8		x2 kpl	
	3918		3804					

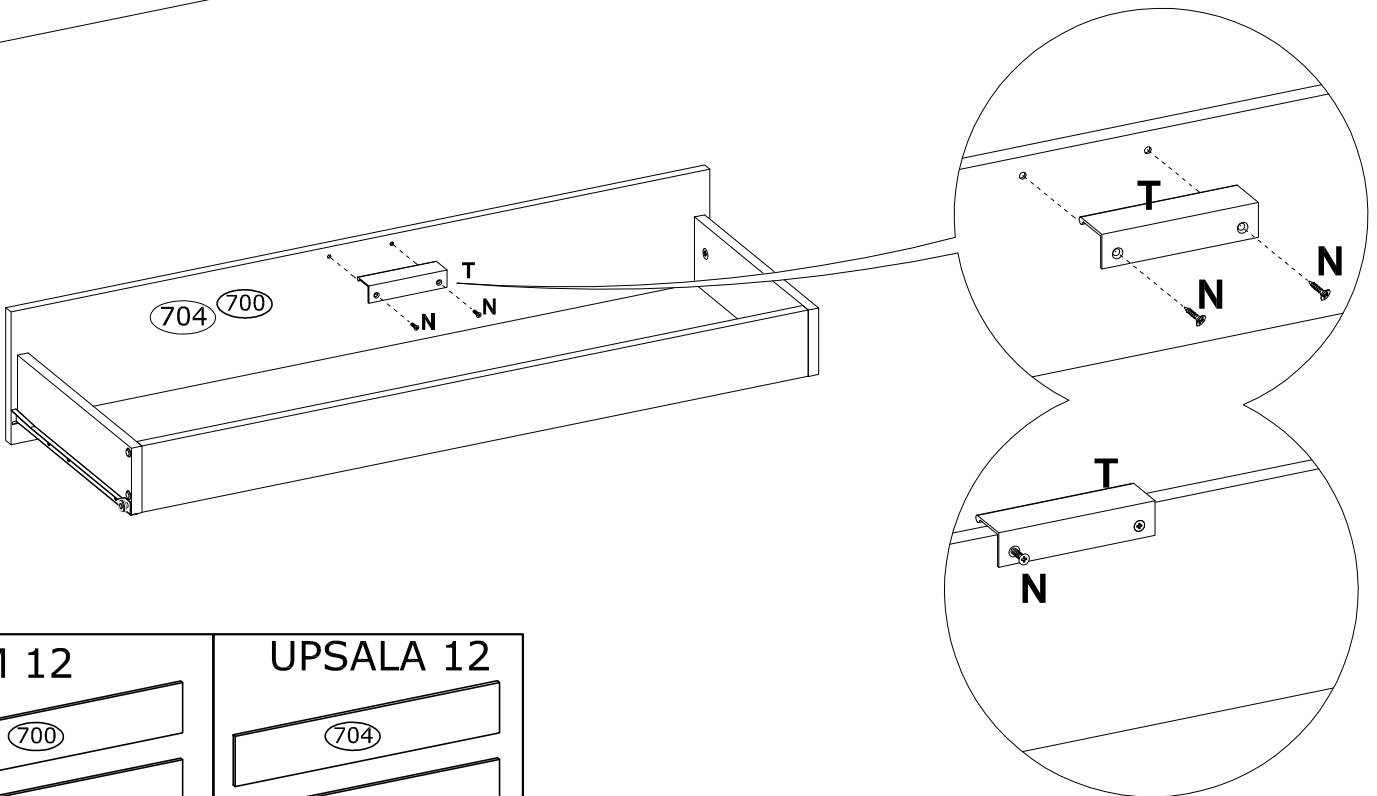
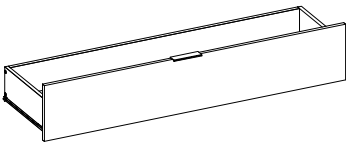
2x

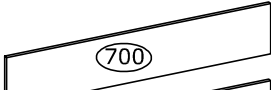
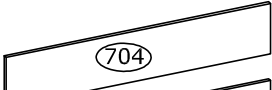

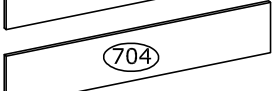


7

<b>N</b>	Ø3,5x16 mm	<b>T</b>	L-120 mm		x4		x2
	3918		209928				

2x

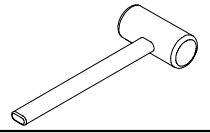


<b>ULM 12</b>	<b>UPSALA 12</b>
	
	

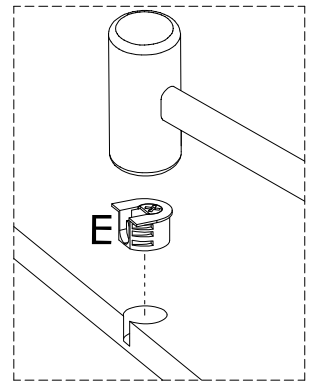
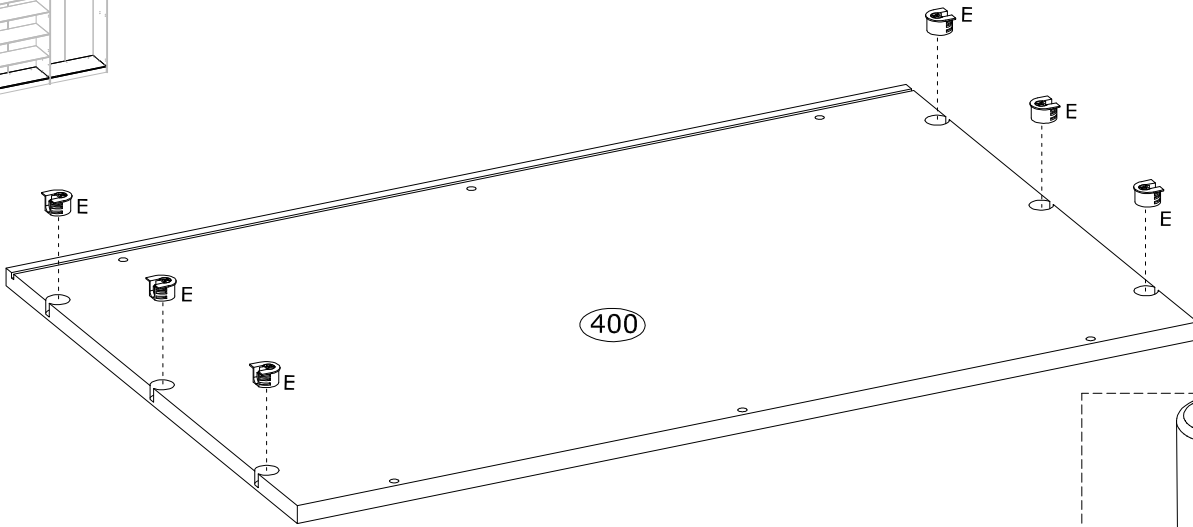


8

E 20x22x13.5 mm  
x12  
208625

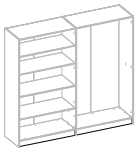
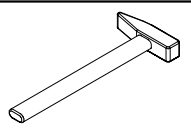


2x

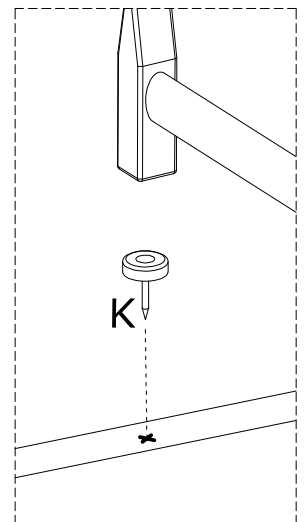
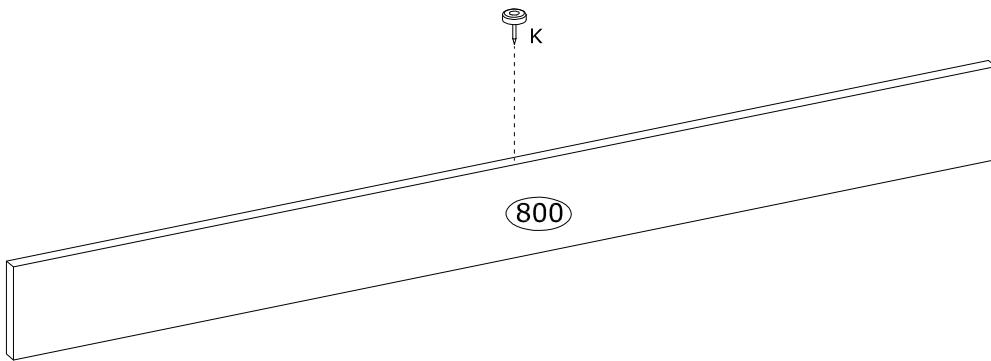


9

K  
x4  
70313

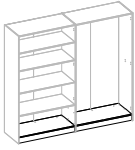


4x

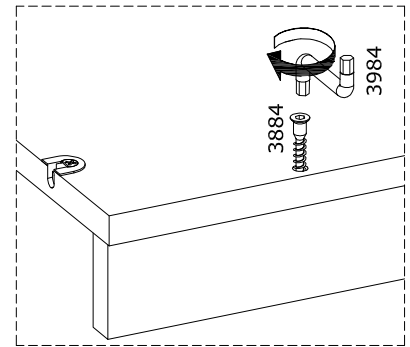
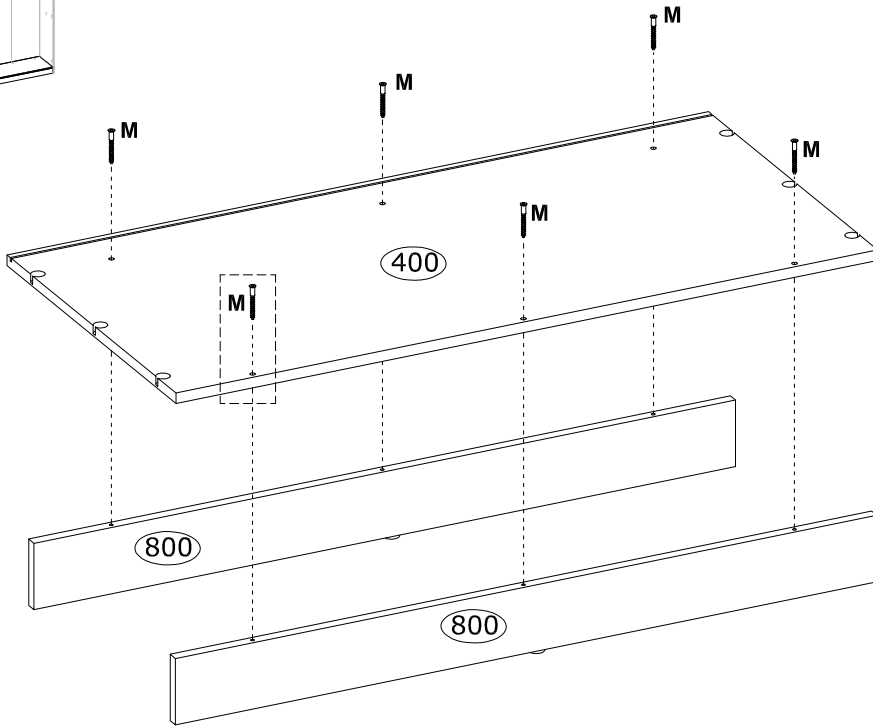


10

<b>M</b>	Ø6,4x50mm x12 3884	<b>L</b>	4 mm x1 3984
----------	--------------------------	----------	--------------------

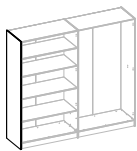


2x

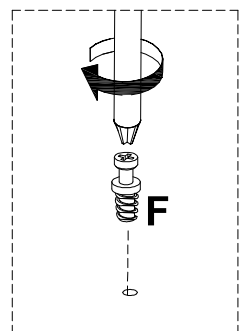
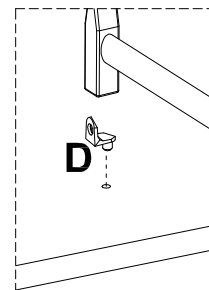
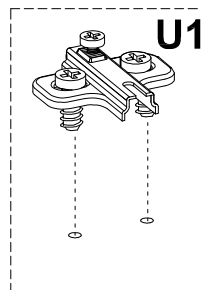
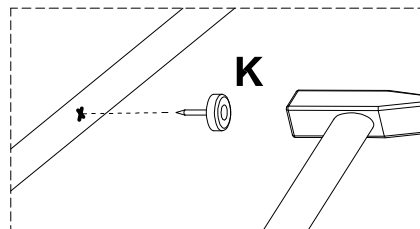
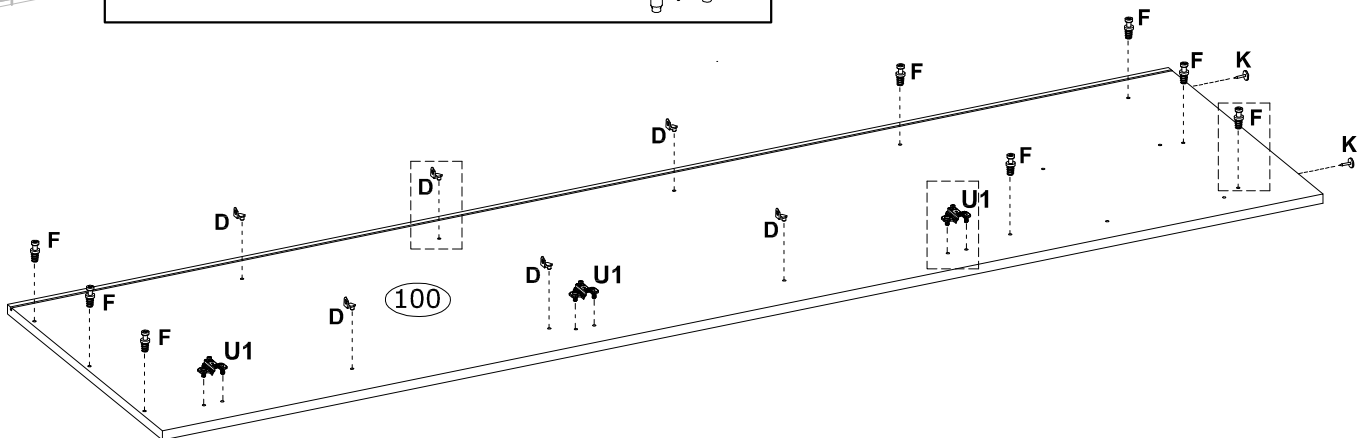


11

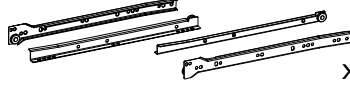

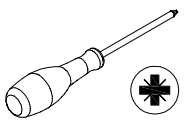
<b>F</b>	Ø6,5x16 mm x8 208665	<b>U</b>	Ø35 mm , KR15 x3 68850	<b>K</b>	x2 70313	<b>D</b>	x6 184248	
----------	----------------------------	----------	------------------------------	----------	-------------	----------	--------------	--

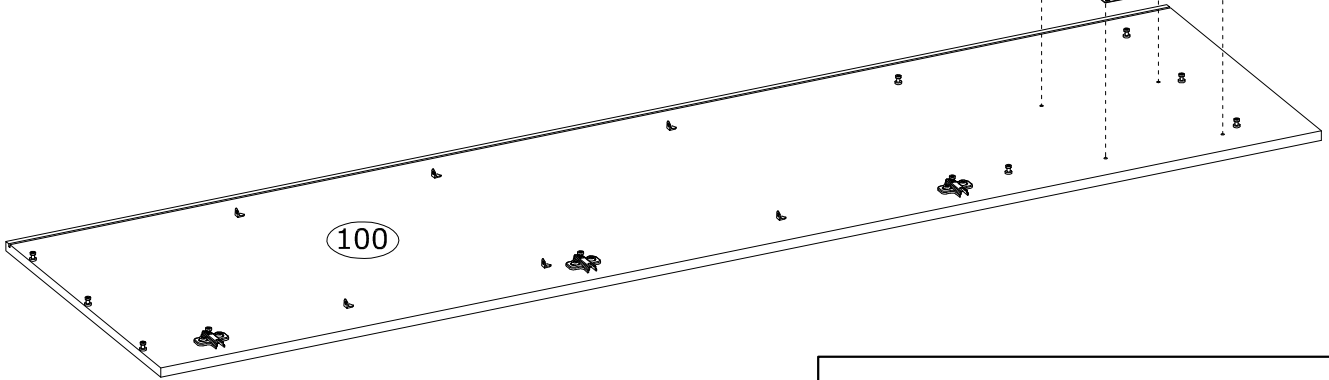
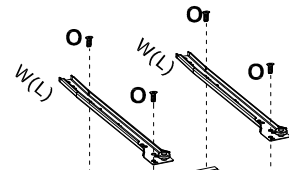
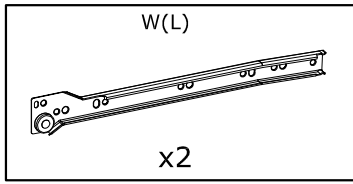
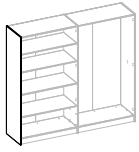


	<b>U1</b>		<b>U2</b>		<b>U</b>
68850(1)		68850(2)		68850	

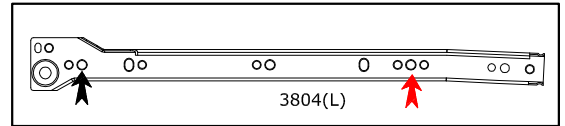


12

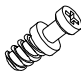



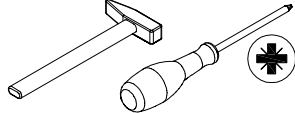

<p><b>W</b> L-350mm    <b>x2 kpl</b>          3804</p>	<p><b>O</b> Ø6,0x13 mm    <b>x4</b>          3877</p>	
---	--	--

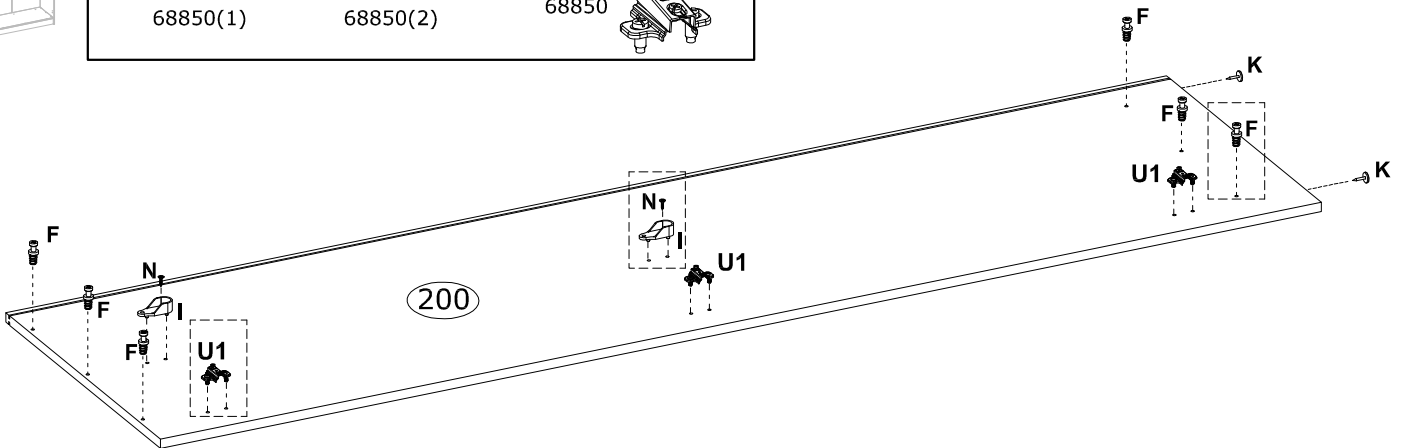
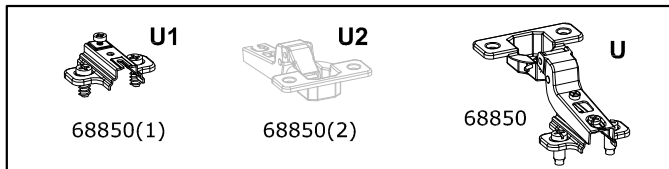


100

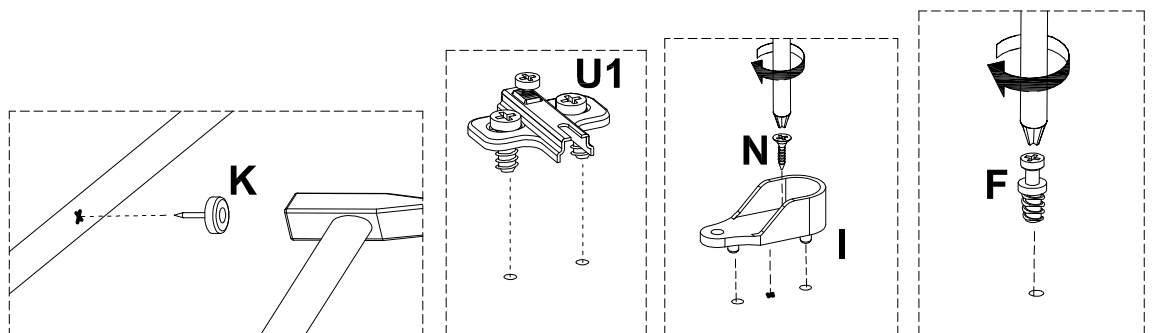


13


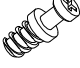

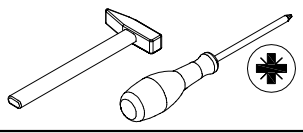
<p><b>F</b> Ø6,5x16 mm    <b>x6</b>          208665</p>	<p><b>U</b> Ø35 mm , KR15    <b>x3</b>          68850</p>	<p><b>K</b>    <b>x2</b>          70313</p>	<p><b>I</b> 42x17x20 mm    <b>x4</b>          4069</p>	
<p><b>N</b> Ø3,5x16 mm    <b>x2</b>          3918</p>				



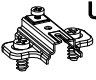

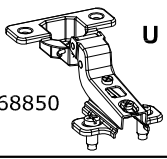
200

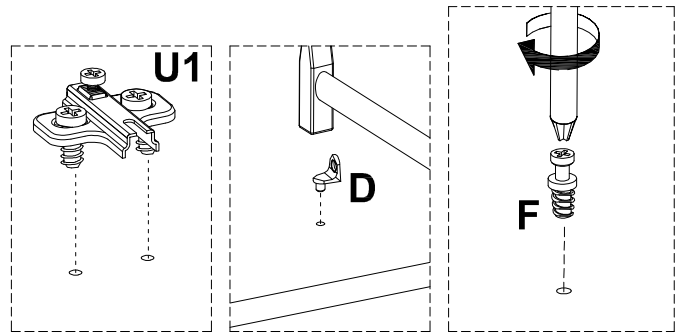
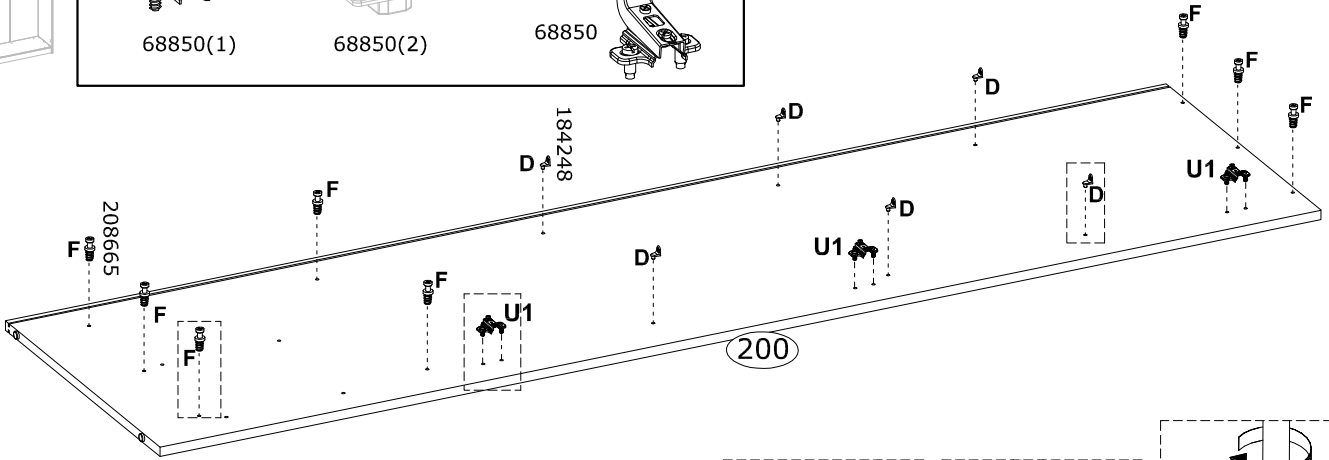


14

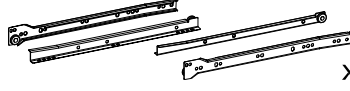

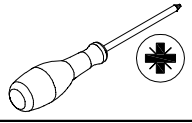
<b>U</b> Ø35 mm , KR15  x3 68850	<b>F</b> Ø6,5x16 mm  x8 208665	<b>D</b>  x6 184248	
---	---	---	--



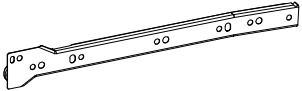
<b>U1</b>  68850(1)	<b>U2</b>  68850(2)	<b>U</b>  68850
--	--	--

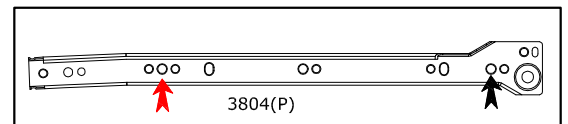
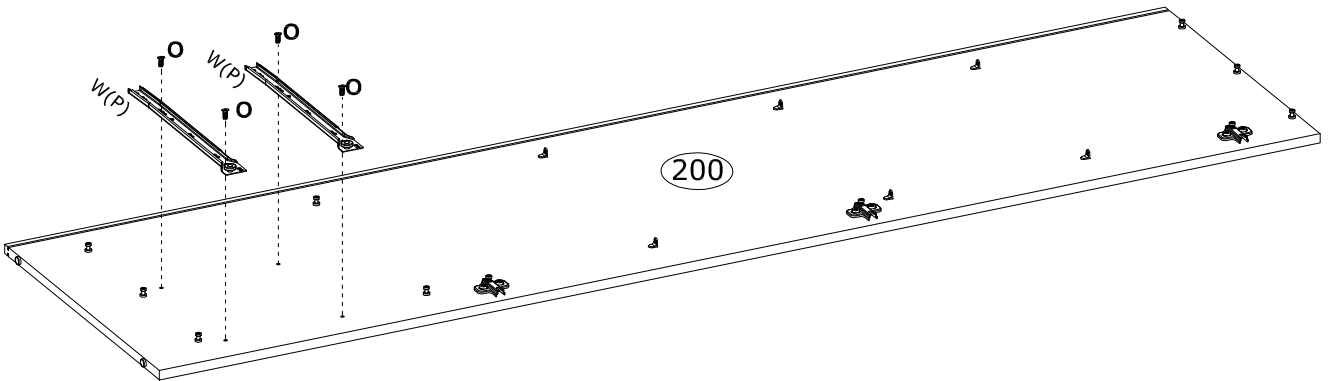


15





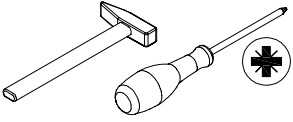
<b>W</b> L-350mm  x2 kpl 3804	<b>O</b> Ø6,0x13 mm  x4 3877	
--	---	---




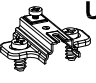

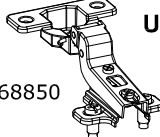
<b>W(P)</b>  x2
--

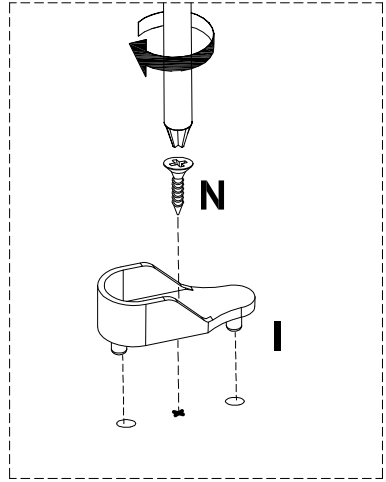
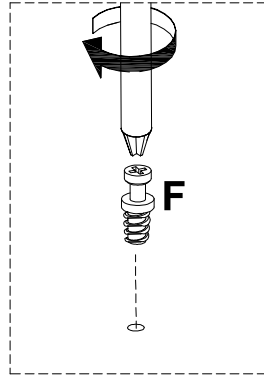
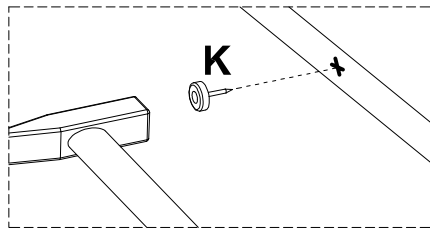
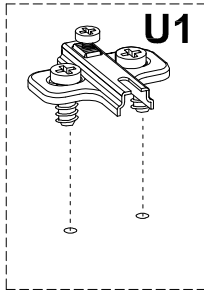
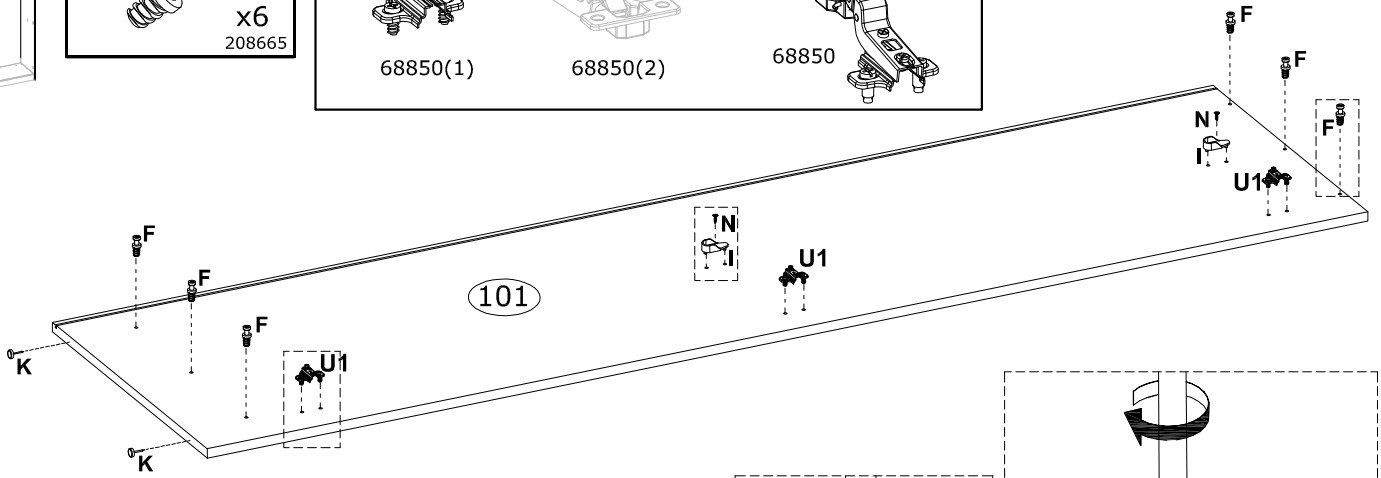
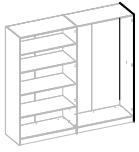


16


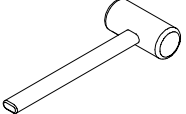
<b>K</b>  x2 70313	<b>U</b> Ø35 mm , KR15  x3 68850	<b>N</b> Ø3,5x16 mm  x2 3918	<b>I</b> 42x17x20 mm  x4 4069	
--	---	---	---	--

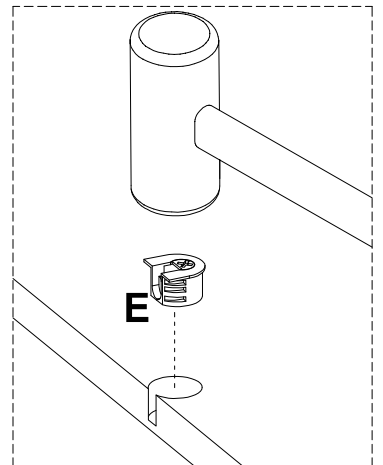
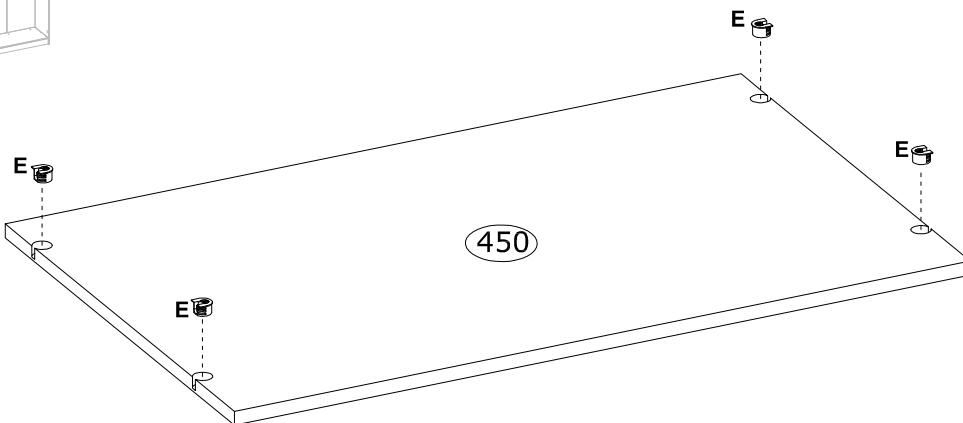
<b>F</b> Ø6,5x16 mm  x6 208665
---

<b>U1</b>  68850(1)	<b>U2</b>  68850(2)	<b>U</b>  68850
--	--	---



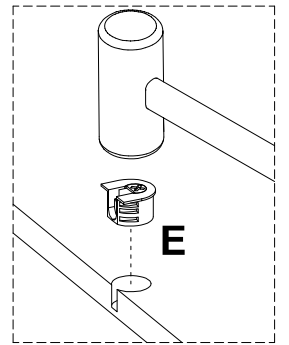
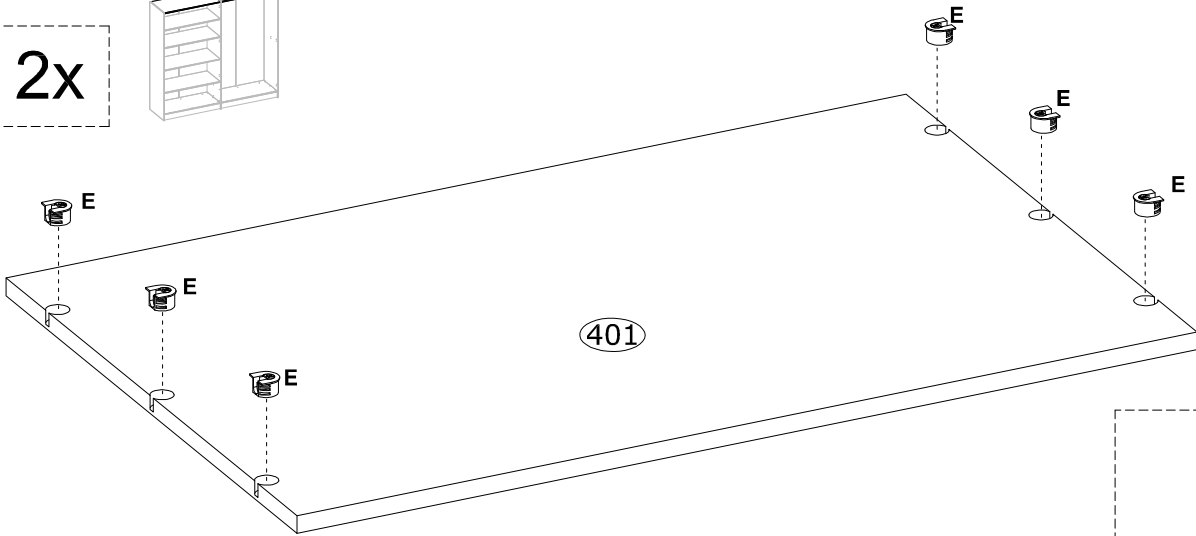
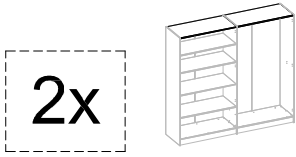
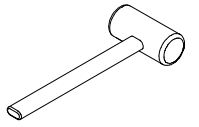
17

<b>E</b> 20x22x13.5 mm  x4 208625	
--	---

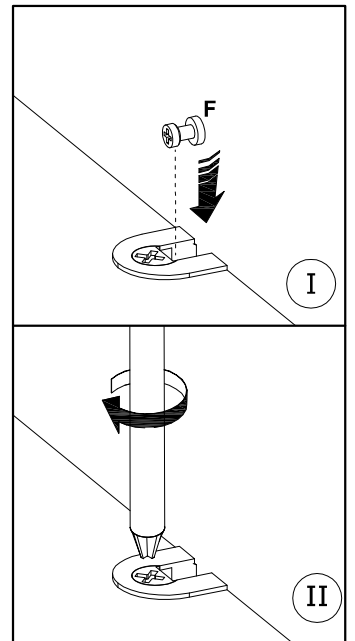
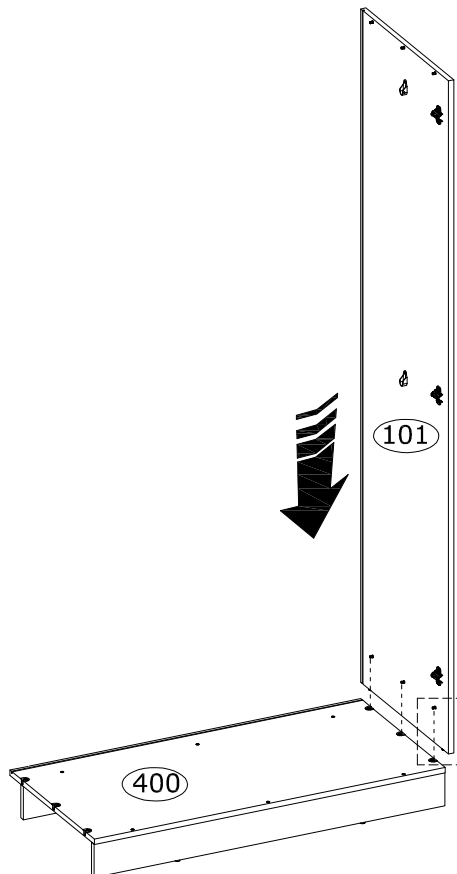
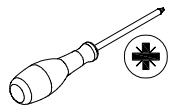


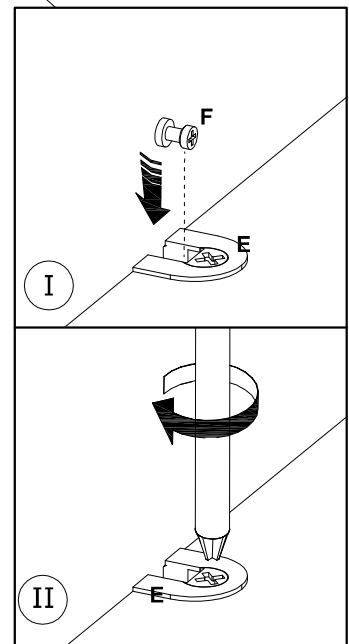
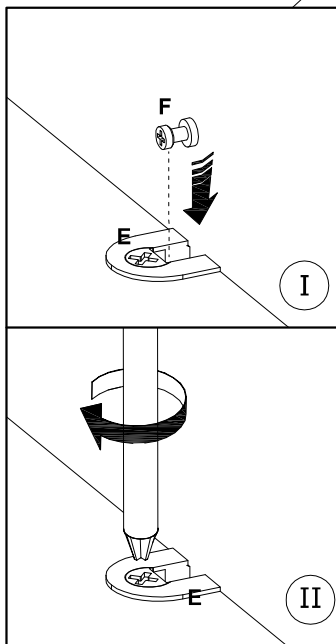
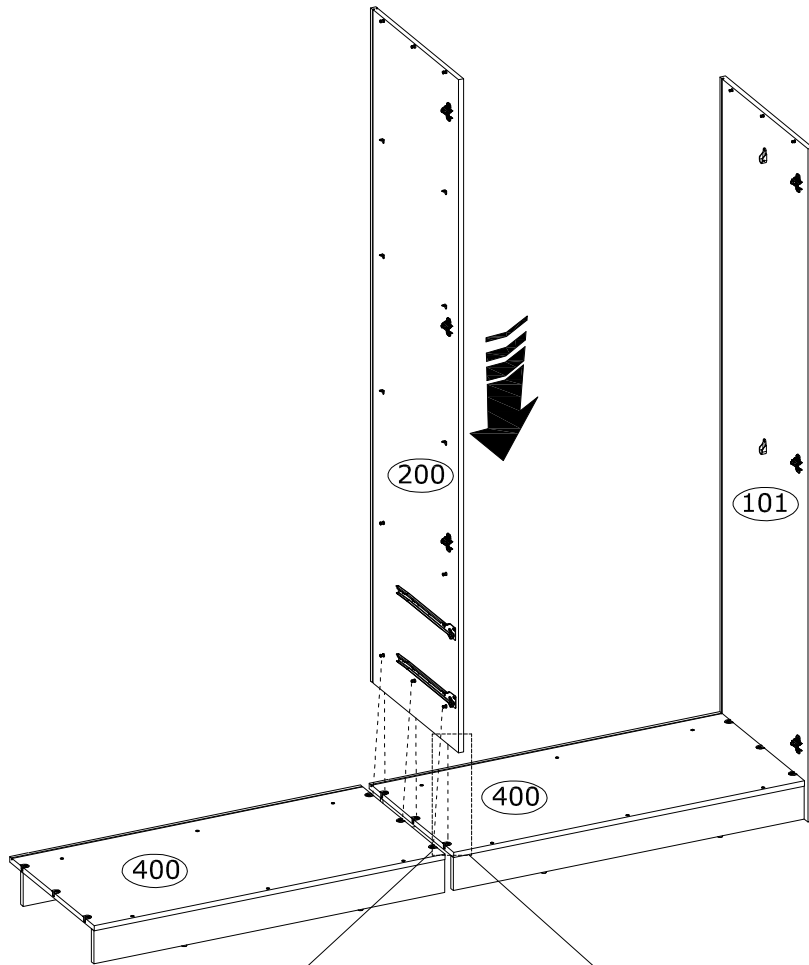
18

E  
20x22x13.5 mm  
x12  
208625

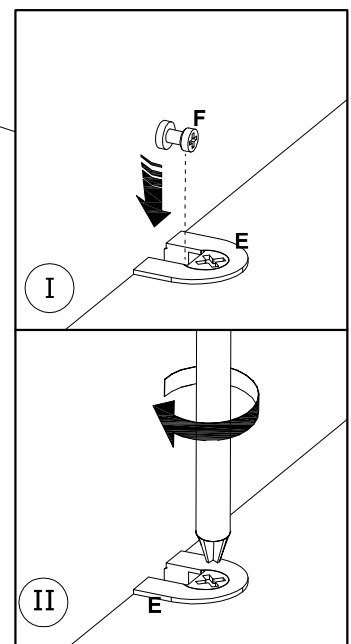
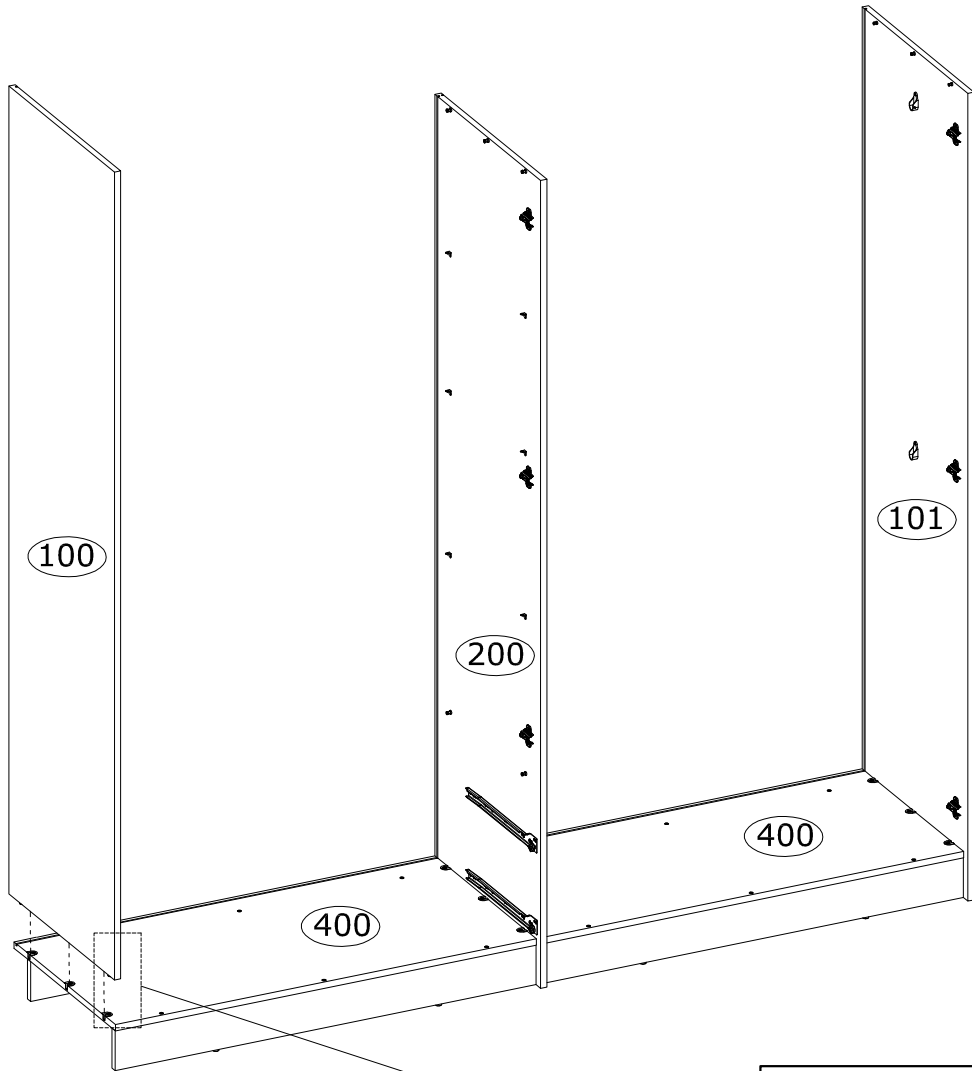
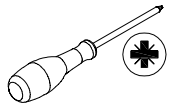


19



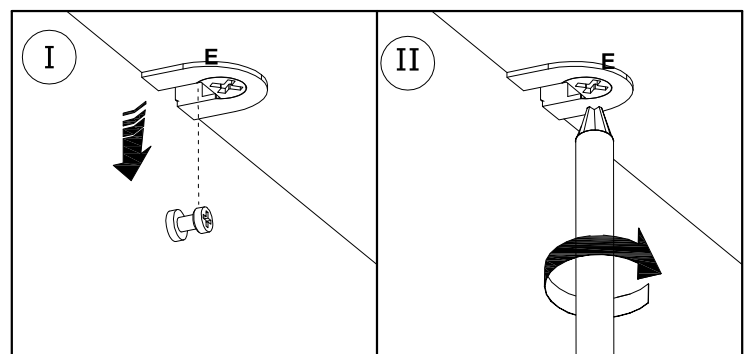
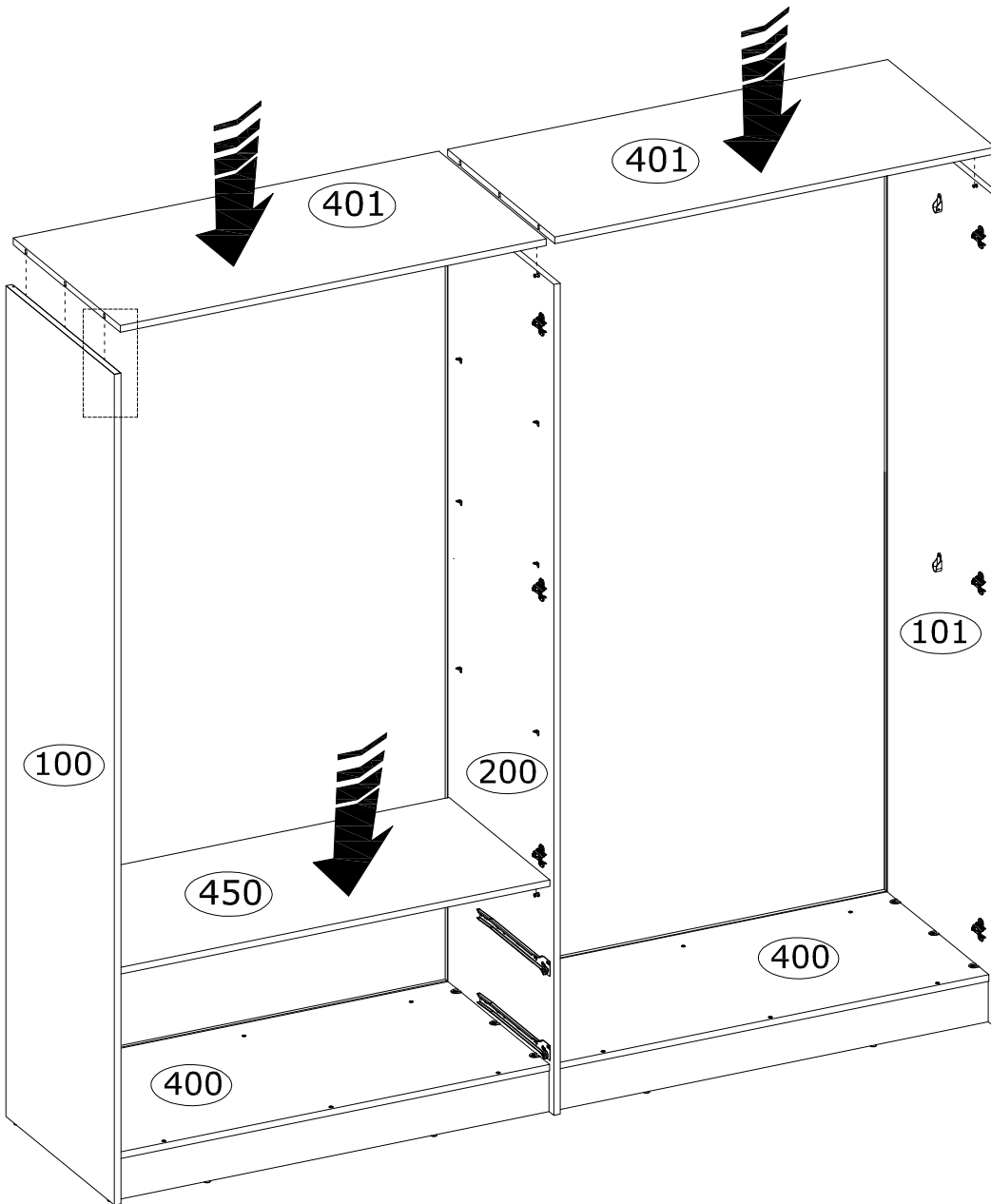
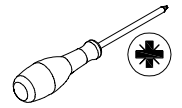


21



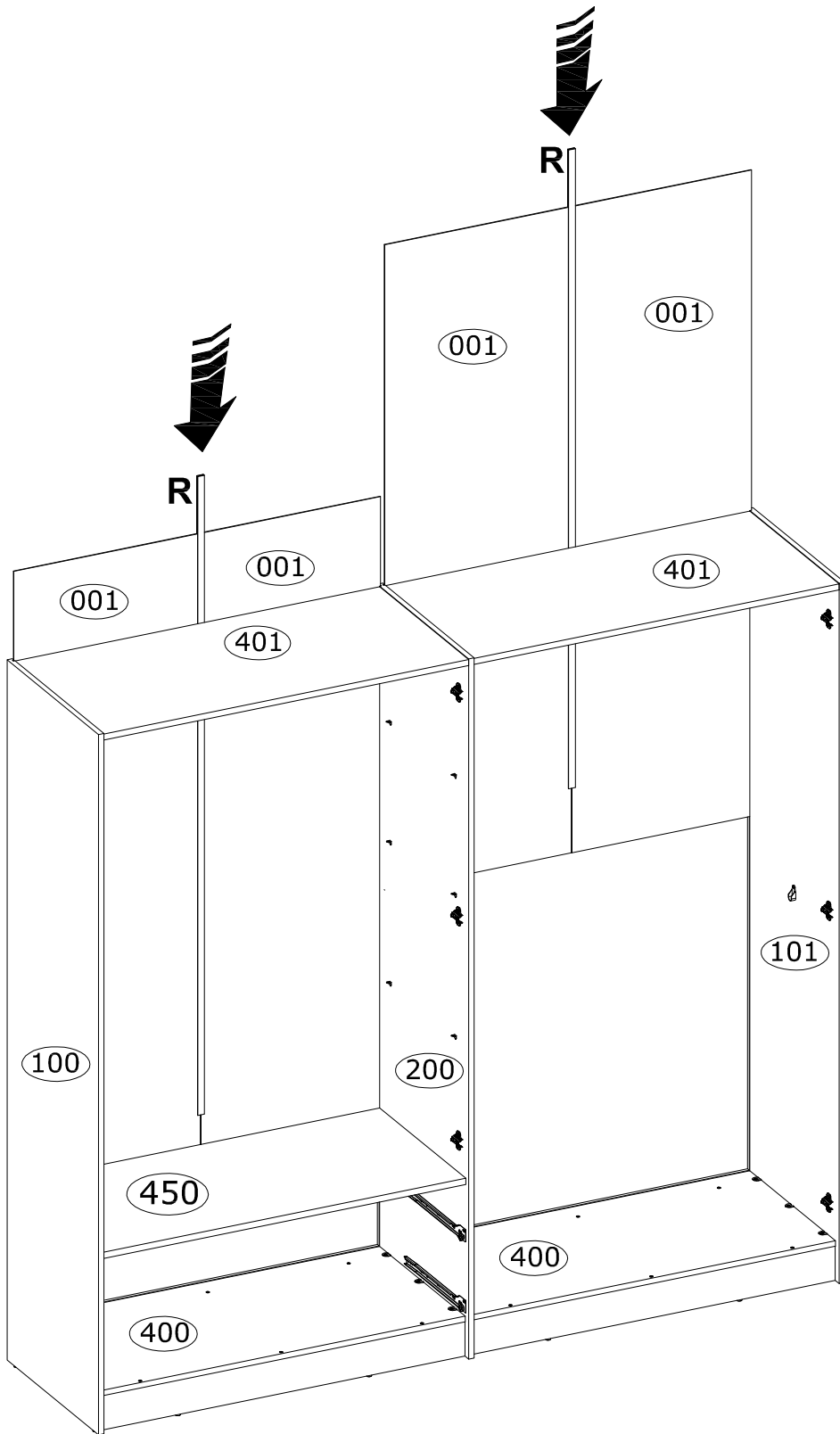


22



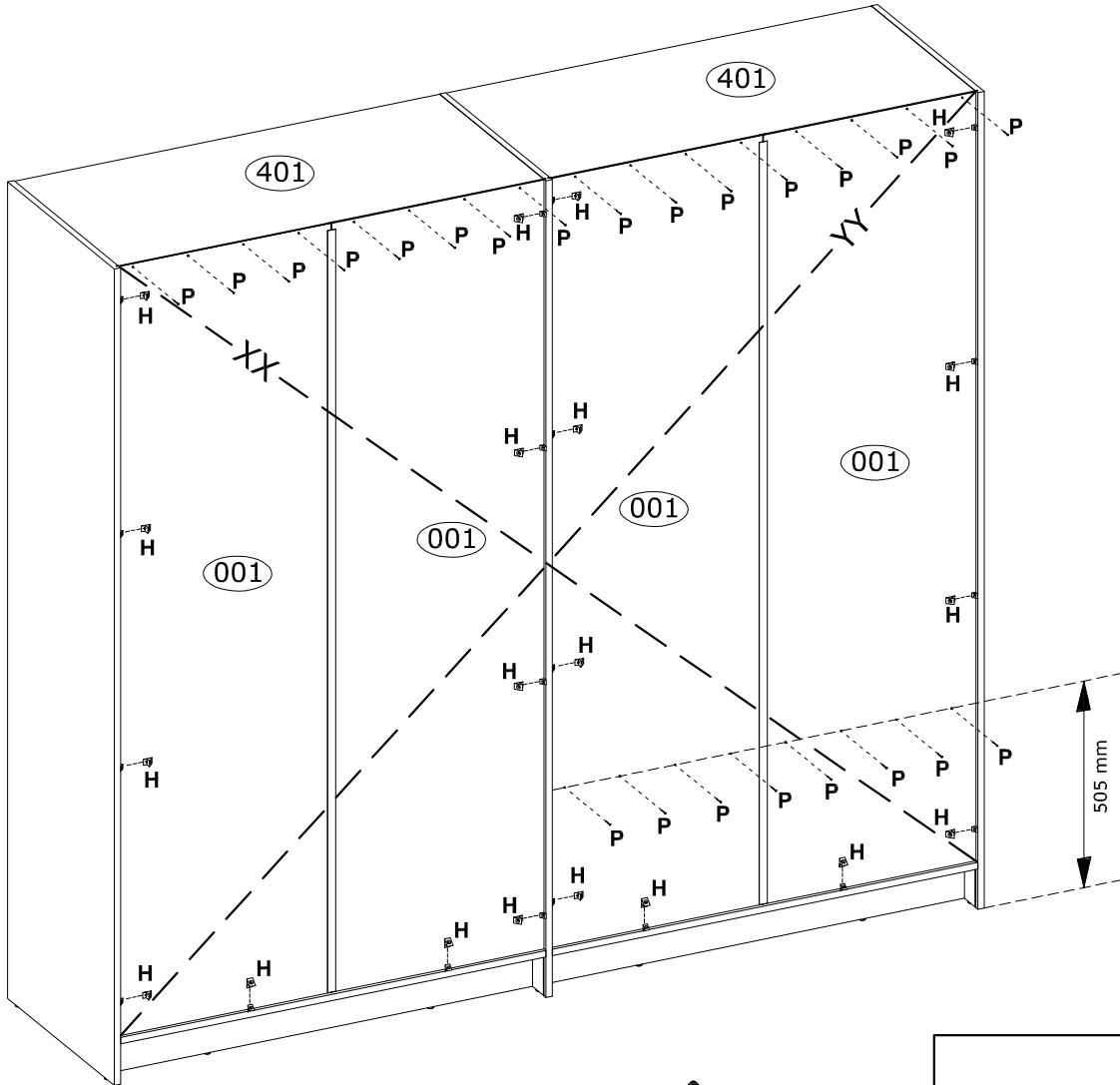
23

R L-1890 mm  
x2  
217025

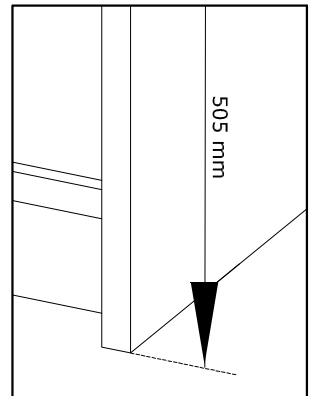
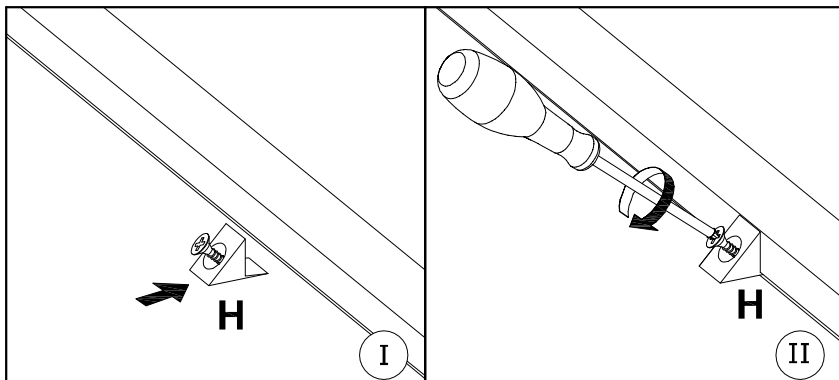
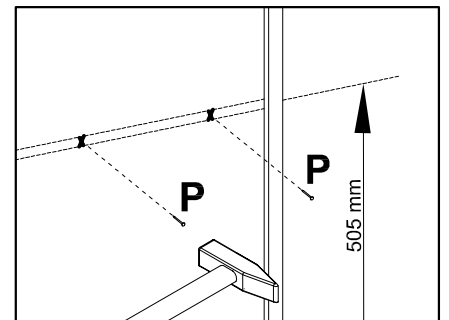


24




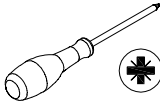
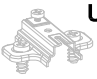

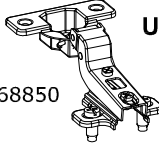
<b>H</b> 15x14x11 mm  x20 4044	<b>P</b> 1.2x20 mm  x24 3975	   
---	---	--



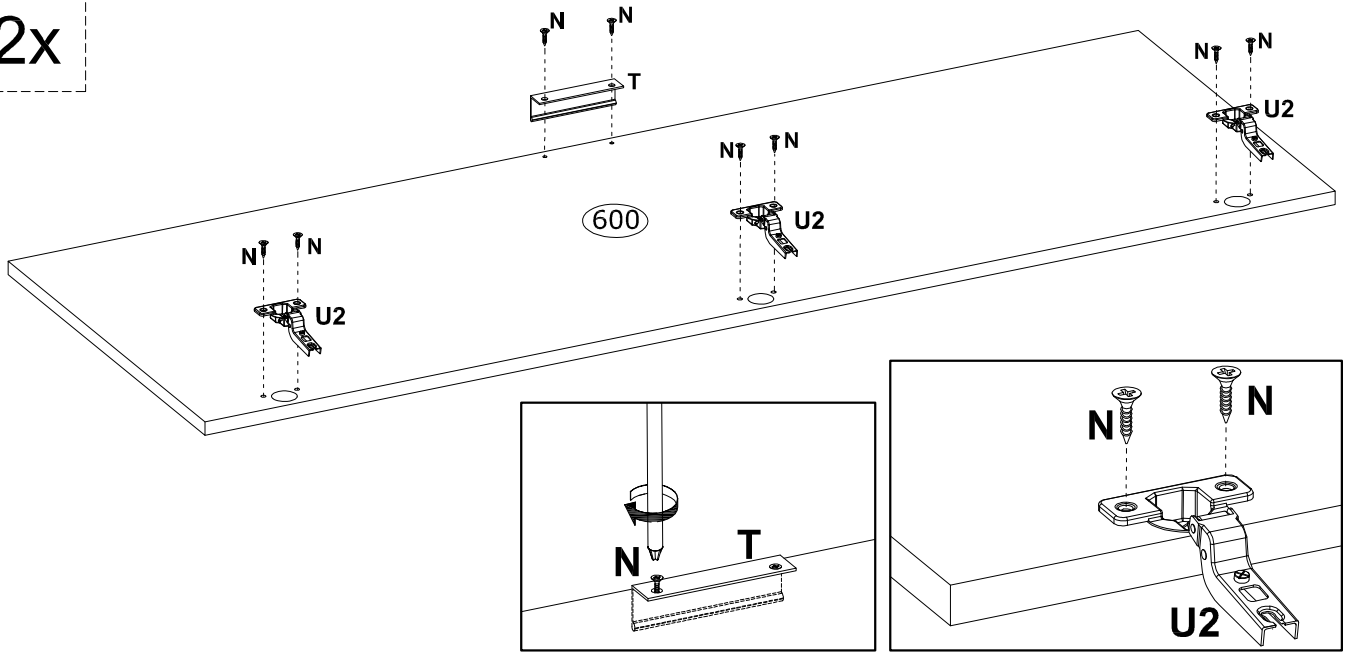
$XX = YY \equiv 90^\circ$






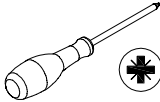
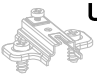

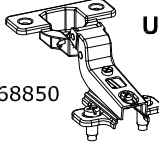
25

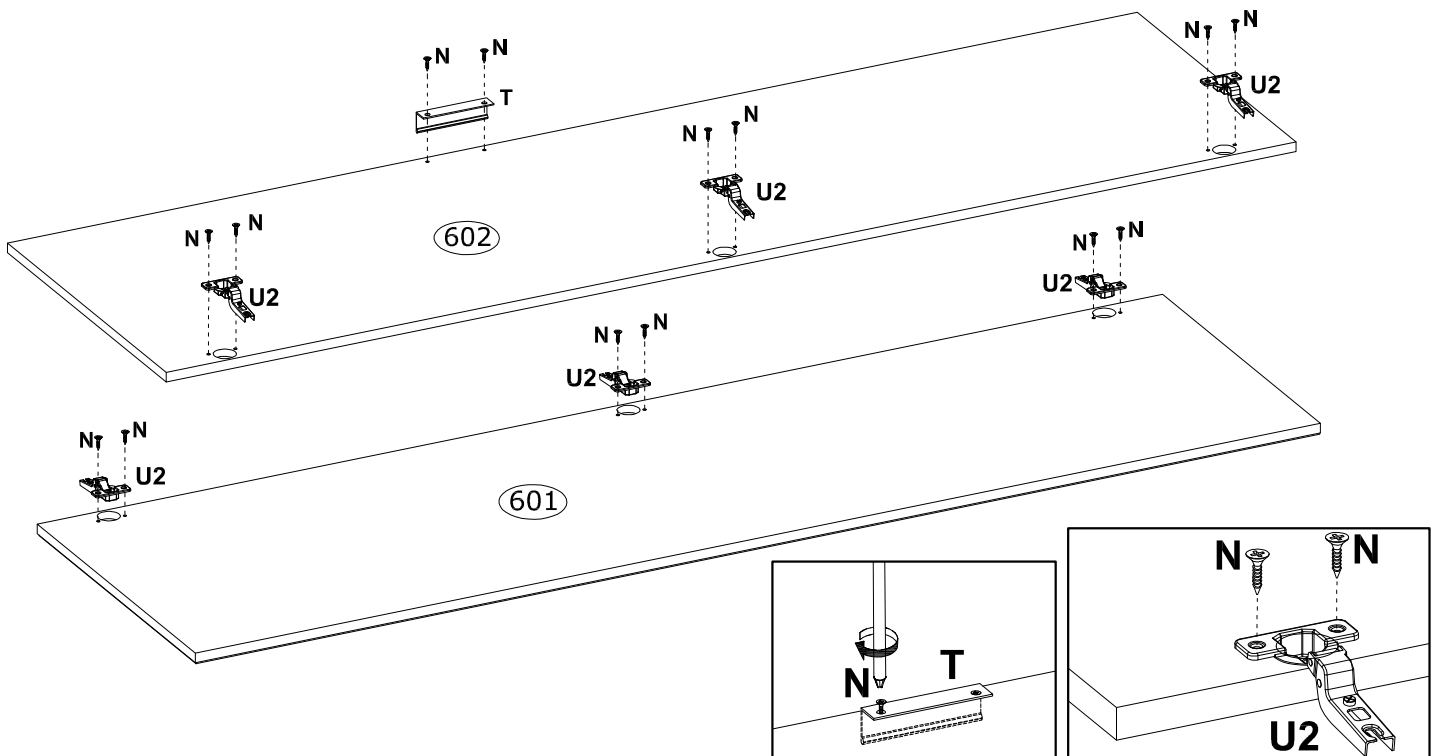
<b>T</b> L-120 mm  x1 209928	<b>U</b> Ø35 mm , KR15  x6 68850	<b>N</b> Ø3,5x16 mm  x14 3918	
<b>U1</b>  68850(1)	<b>U2</b>  68850(2)	<b>U</b>  68850	

2x





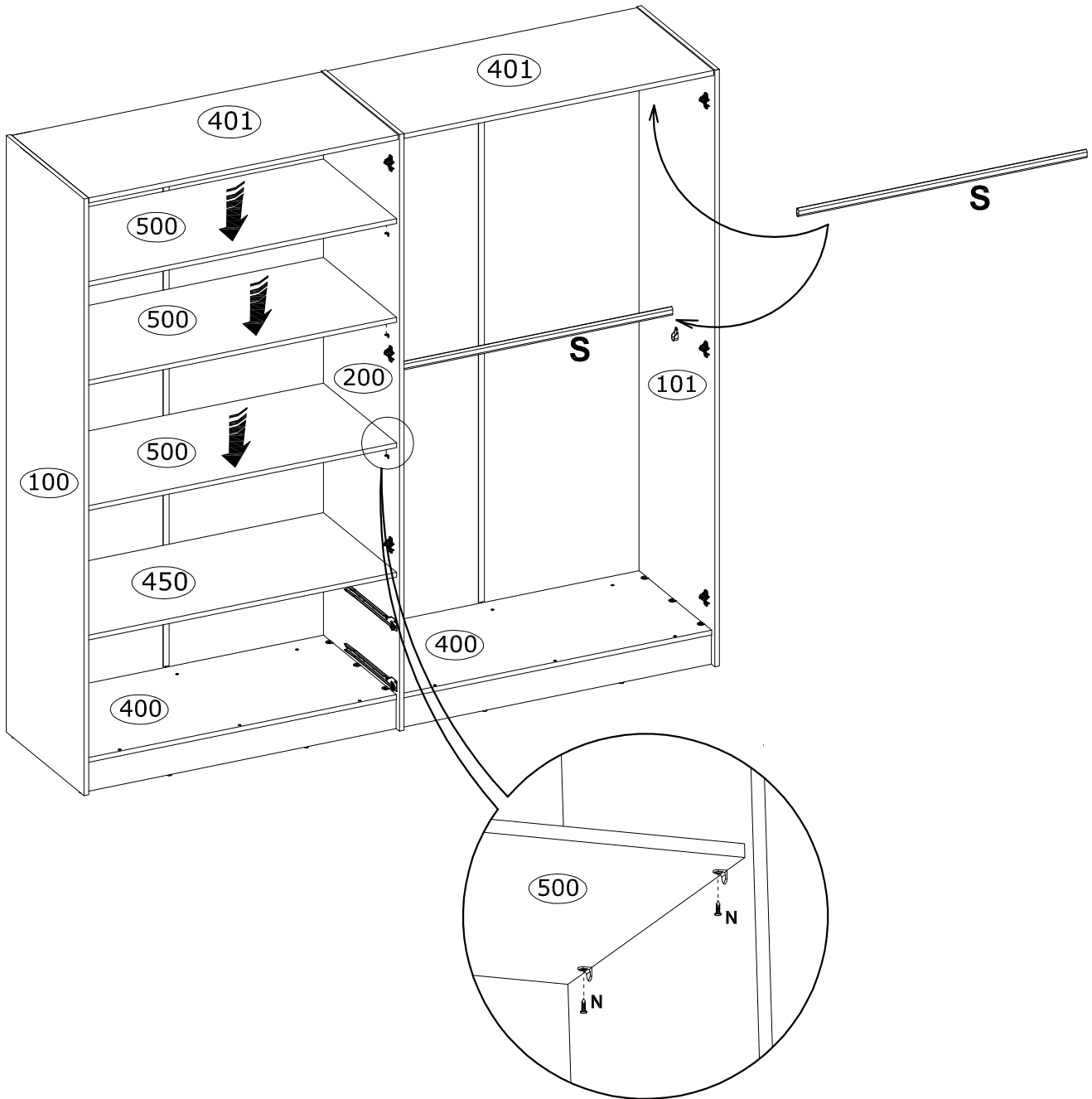
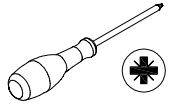
26

<b>T</b> L-120 mm  x1 209928	<b>U</b> Ø35 mm , KR15  x6 68850	<b>N</b> Ø3,5x16 mm  x14 3918	
<b>U1</b>  68850(1)	<b>U2</b>  68850(2)	<b>U</b>  68850	

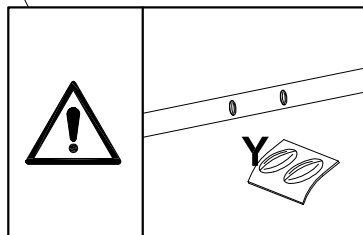
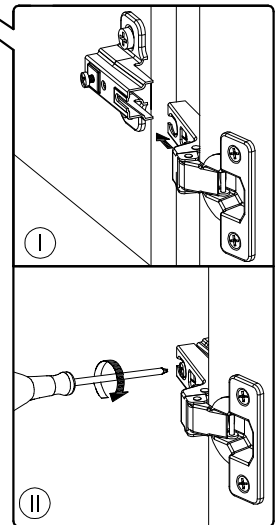
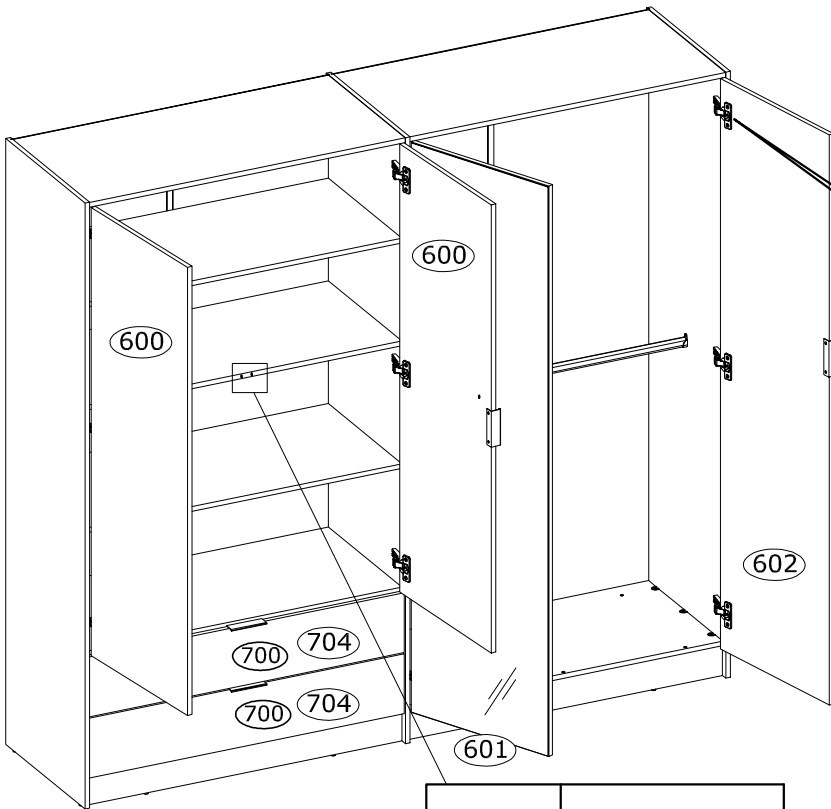
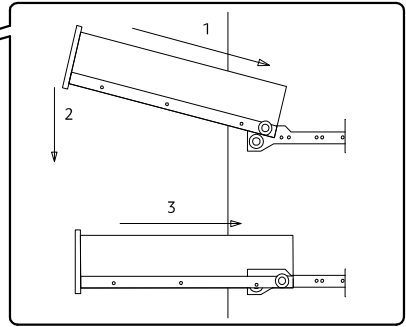
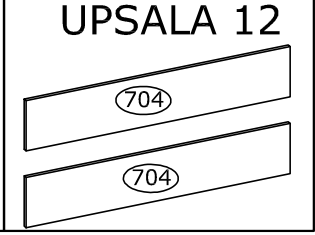
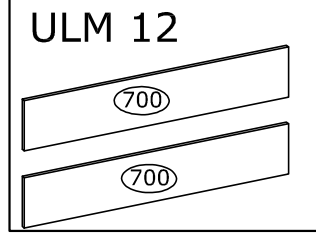
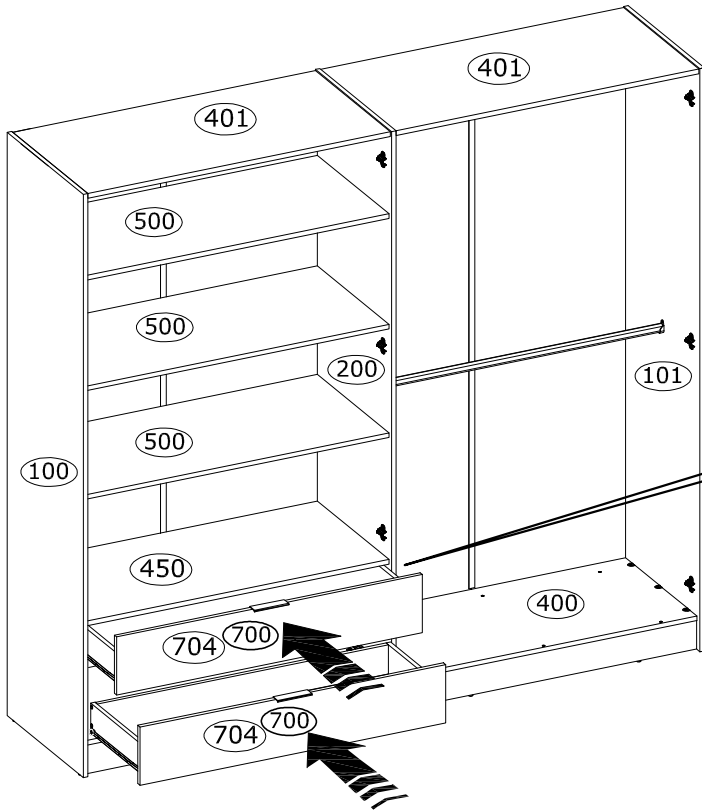
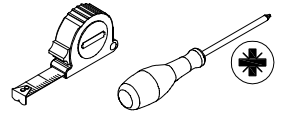




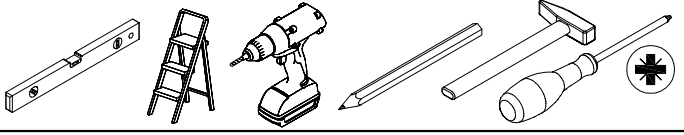
27

<b>N</b>	Ø3,5x16 mm	<b>S</b>	L-1068 mm
	x12 3918		x2 72529



Y  
Ø8x2 mm  
x2  
75516



<p><b>N</b> Ø3,5x16 mm x4 3918</p> 	<p><b>J</b> 75x15x32 mm x2 71900</p> 			
--	--	---	--	--

